

CABLE HOIST



P-SZ 250

GB

CABLE HOIST

Operation and Safety Notes

SI

VISEČI ŽERJAV

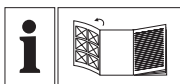
Navodila za upravljanje in varnostna opozorila

HR

ŽIČANA DIZALICA

Upute za posluživanje i za Vašu sigurnost

4 



GB

Before reading, unfold the page containing the illustrations and familiarise yourself with all functions of the device.

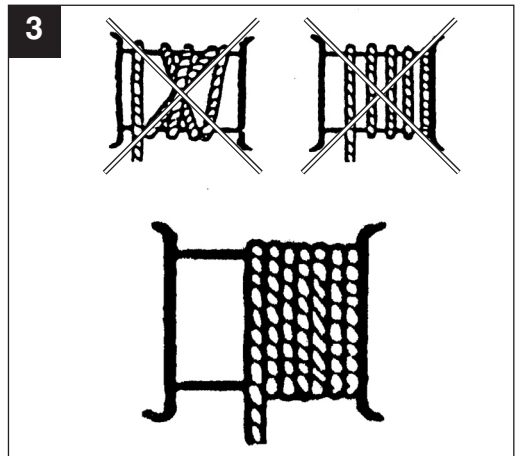
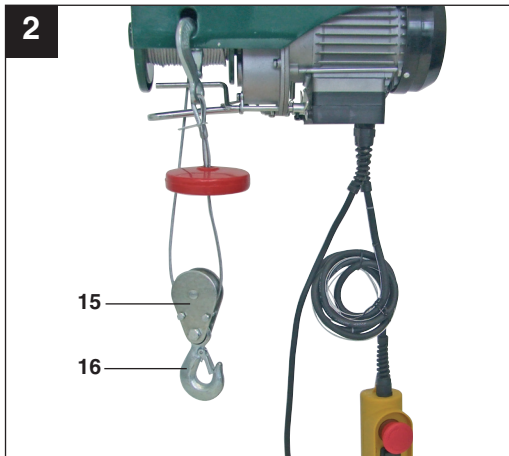
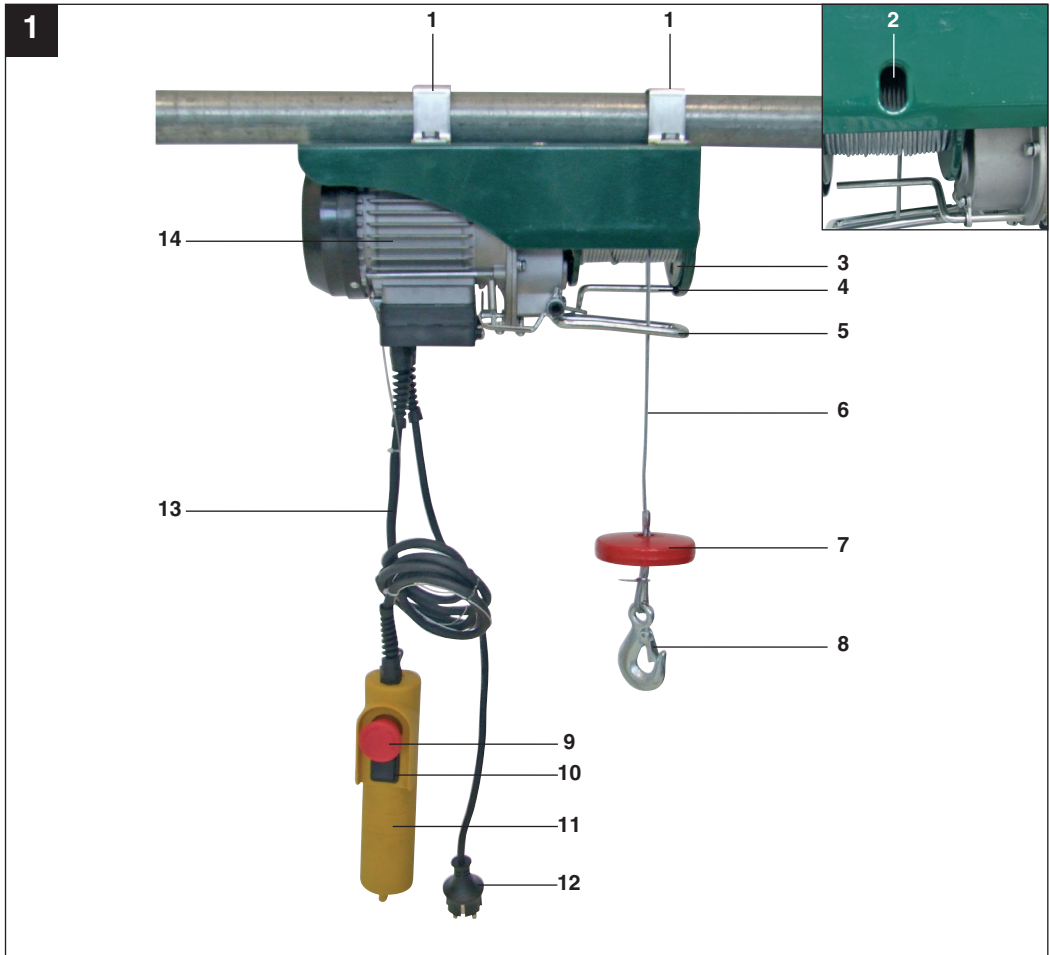
SI

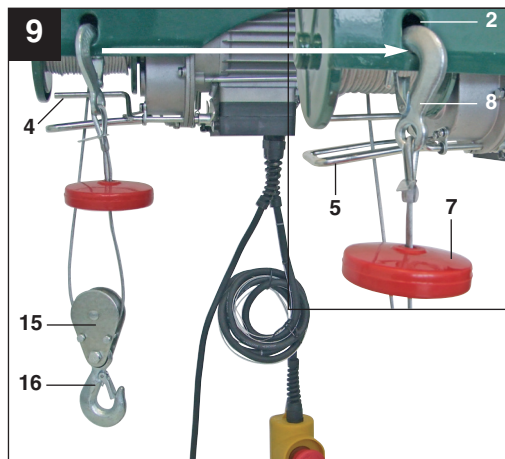
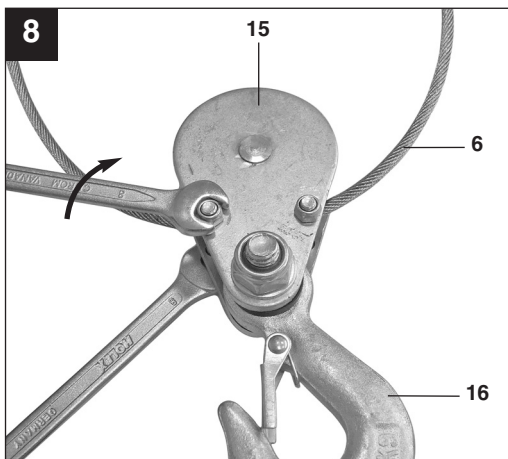
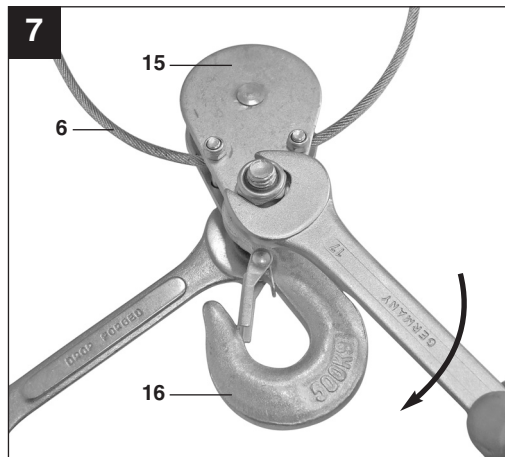
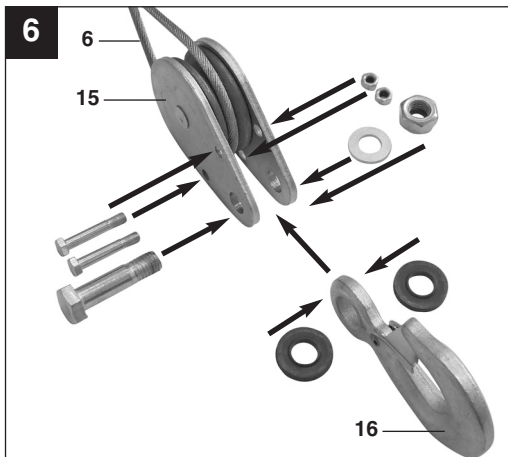
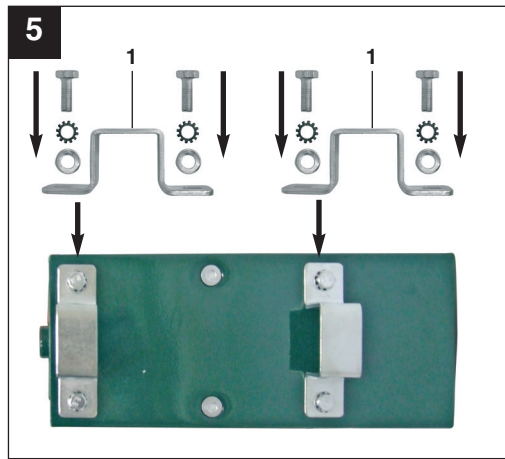
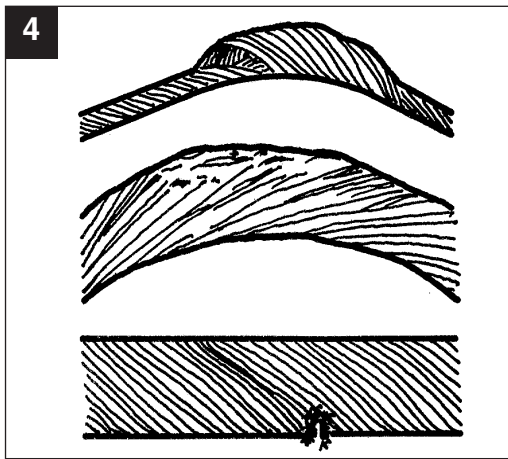
Pred branjem stran s slikami odprite navzven in se nato seznanite z vsemi funkcijami naprave.

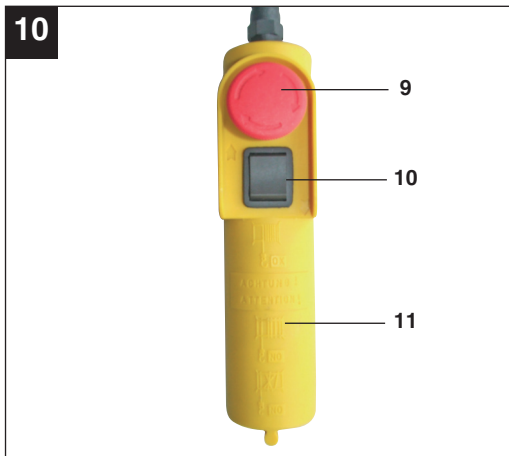
HR

Prije nego što pročitate tekst, otvorite stranicu sa slikama i upoznajte se na osnovu toga sa svim funkcijama uređaja.

GB	Operation and Safety Notes	Page	6
SI	Navodila za upravljanje in varnostna opozorila	Stran	14
HR	Upute za posluživanje i za Vašu sigurnost	Stranica	22







GB

Table of contents:

Page

1. Introduction	7
2. Safety information	7
3. Layout and items supplied	7
4. Proper use	8
5. Technical data	8
6. Before starting the equipment.....	8-9
7. Operation	9-10
8. Cleaning, maintenance and ordering of spare parts.....	10
9. Disposal and recycling.....	10-11
10. Declaration of conformity	12
11. Guarantee Certificate	13

The reprinting or reproduction by any other means, in whole or in part, of documentation and papers accompanying products is permitted only with the express consent of ISC GmbH.

Technical changes subject to change

1. Introduction

⚠ Important!

When using equipment, a few safety precautions must be observed to avoid injuries and damage. Please read the complete operating manual with due care. Keep this manual in a safe place, so that the information is available at all times. If you give the equipment to any other person, give them these operating instructions as well. We accept no liability for damage or accidents which arise due to non-observance of these instructions and the safety information.

2. Safety information

⚠ CAUTION!

Read all safety regulations and instructions.

Any errors made in following the safety regulations and instructions may result in an electric shock, fire and/or serious injury.

Keep all safety regulations and instructions in a safe place for future use.

- Always check that the mains voltage is identical to the voltage quoted on the rating plate. In the event that the mains voltage is not suitable, it may cause the machine to work abnormally and thus result in personal injury.
- The power supply must be earthed and be secured by a residual current operated circuit breaker (RCCB).
- Do not attempt to lift loads that exceed the rated load.
- Use the machine only for the purpose for which it is designed. Never lift personnel using the cable hoist.
- Do not pull the power cable in order to pull out the plug. Protect the power cable from heat, oil and sharp edges.
- Never attempt to raise fixed or jammed loads.
- Pull out the plug when the cable hoist is not in use.

- Keep children and other unauthorized persons away from the machine.
- Do not pull loads sideways or from one side. Do not allow the load to swing.
- Ensure that the hook moves in the same direction as shown on the pushbutton.
- Check the cable hoist at regular intervals for signs of damage. The pushbutton must be in good condition.
- Have repair and servicing work carried out only by authorized workshops by a trained electrician. Repair work must only be carried out by a trained electrician, otherwise the machine may cause accidents.
- Do not switch the machine on and off quickly (inching mode).
- Always concentrate fully when operating the cable hoist.
- Do not stand or work under the raised load.
- It is not permitted to lift fixed or jammed loads.

3. Layout and items supplied (Fig. 1-2)

1. Fastening bar
2. Fastening hole for hook
3. Drum
4. Lever for maximum cable length
5. Automatic stop mechanism lever
6. Steel cable
7. Cut-out weight
8. Hook
9. Emergency Stop switch
10. Pushbutton
11. Remote control
12. Power cable
13. Control cable
14. Motor
15. Return roller
16. Additional hook

GB

4. Proper use

The cable hoist is designed for lifting and lowering loads in enclosed areas commensurate with the machine's capacity.

The equipment is to be used only for its prescribed purpose. Any other use is deemed to be a case of misuse. The user / operator and not the manufacturer will be liable for any damage or injuries of any kind caused as a result of this.

Please note that our equipment has not been designed for use in commercial, trade or industrial applications. Our warranty will be voided if the machine is used in commercial, trade or industrial businesses or for equivalent purposes.

5. Technical data

Voltage (V)	230 V ~ 50 Hz
Rated current (A)	2.2
Power consumption (W)	500
Operating mode	S3 20%:10 min
Rated load (kg)	125 / 250
Lifting height (m)	11.5 / 5.7
Rated speed (m/min)	8 / 4
Diameter of steel cable (mm)	3.0
Tensile strength of the steel cable (N/mm ²)	1870
Insulation class	B
Protection class	IP24
Drive unit class	M1
Net weight (kg)	10.5

Operating mode S3 – 20% - 10 minutes: S3 = Intermittent mode without influencing the starting process. This means that the maximum operating period over a time of 10 minutes is 20% (2 minutes).

6. Before starting the equipment

- Before you connect the equipment to the mains supply make sure that the data on the rating plate are identical to the mains data.
- Always pull out the power plug before making adjustments to the equipment.
- The cable hoist is not suitable for transporting hot and/or molten materials nor is it suitable for use at low temperatures or in environments subject to intensive weathering.
- It is in mechanical group M1.
- The service life of the cable hoist is approximately 8000 cycles (excluding wearing parts). When the hoist has completed 8000 cycles, all its mechanical parts must be checked and overhauled.
- Read and absorb the operating instructions before you use the cable hoist.
- Ensure that the operator knows how the machine works and how it should be operated.
- The user must always operate the equipment as set out in the operating instructions.
- The cable hoist is not designed for continuous operation. Its mode of operation is: Intermittent mode without influencing the starting process.
- The rated capacity of the machine does not vary due to the position of the load.

6.1 Unpacking

After opening the packaging, inspect the equipment, the steel cable, the hook, the lever for maximum cable length and the automatic stop mechanism lever for signs of possible transit damage.

6.2 Assembly (Fig. 5)

The cable hoist is fitted with two fastening bars (1) with which it has to be fastened to a rectangular tube / swing arm. The dimensions of the rectangular tube / swing arm must conform with the size of the fastening bars (1) and must be capable of supporting twice the rated load. We recommend that you seek

advice from a qualified technician. All screws must be tightened correctly. A qualified technician should check the anchoring of the rectangular tube / swing arm before the machine is started.

6.3 Block and tackle function (Fig. 6 – 9)

The cable hoist is fitted with a return roller (15) and an additional hook (16). If these parts are used correctly, the cable hoist can lift twice its rated load.

Fit the return roller (15) and additional hook (16) as shown in Figure 6 – 8. The permanent hook (8) must be attached to the fastening hole (2) (Fig. 9).

The load is now raised by two steel cables, which means that the cable hoist can lift twice its rated load.

7. Operation

7.1 Starting up

- Remove the adhesive tape from the drum (3) before using the hoist for the first time.
- The value of the A-rated noise emissions at the operator's position is less than 70 dB.
- Supply voltage: 230 V ± 10%, 50 Hz ± 1%.
- The cable hoist must be operated in ambient temperatures of between 0°C and 40°C with a relative humidity of less than 85%. Height above sea level: max. 1,000 m.
- The temperature for transport and storage may be between -25°C and 55°C. The maximum temperature must not exceed 70°C.
- The user should lift the load off the ground at the slowest possible speed. The cable should be taut when the load is raised.
- The motor (14) for the cable hoist is fitted with a thermostat switch. Whilst the cable hoist is operating, the motor (14) may therefore stop. It will restart automatically when it has cooled down.
- The electric cable hoist is not fitted with a rated power limiter. You should therefore not repeat attempts to lift a load if the overload trip is limiting the hoist's

operation. In this case the load exceeds the rated capacity of the cable hoist.

- Do not leave any suspended loads unsupervised without first taking the appropriate safety precautions.
- Fit the machine with a 10 A fuse or a 10 A residual current operated circuit breaker (RCCB) to protect the circuit
- Do not use the lever (4/5) as a routine stopping device. It should only be used to stop the machine in an emergency.
- Before you start, ensure that the steel cable (6) is correctly wound around the drum (3) and that the spacing between the windings is smaller than the steel cable (Fig. 3)
- Ensure that the load is correctly secured to the hook (8) or, if you are using the block and tackle, the additional hook (16) and always maintain a safe distance from the load and the steel cable (6).

7.2 Operation (Fig. 9-10)

- Check whether the Emergency Stop switch (9) is pressed. Turn the Emergency Stop switch clockwise to release it.
- Press the pushbutton ▲ (10) to raise the load.
- Press the pushbutton ▼ (10) to lower the load.
- Automatic stop mechanism lever (5): When the maximum lifting height has been reached, the cut-out weight (7) presses the lever (5) upwards. This trips a limit switch after which the load cannot be raised any further.
- Lever for maximum cable length (4): When the load has reached its lowest possible position, a limit switch is tripped which makes it impossible to lower the load any further. This limit switch also prevents the cable hoist operating in the wrong direction (hook moving in the opposite direction to the arrow shown on the pushbutton).
- The cable hoist will stop if the Emergency Stop switch (9) is pressed.
- In an emergency, immediately press the Emergency Stop switch (9) to stop the cable hoist. The cable hoist cannot be operated if the Emergency Stop switch has

GB

been pressed.

8. Cleaning, maintenance and ordering of spare parts

Always pull out the mains power plug before starting any cleaning work.

8.1 Cleaning

- Keep all safety devices, air vents and the motor housing free of dirt and dust as far as possible. Wipe the equipment with a clean cloth or blow it with compressed air at low pressure.
- Clean the equipment immediately after you use it.
- Clean the equipment regularly with a moist cloth and some soft soap. Do not use cleaning agents or solvents; these could attack the plastic parts of the equipment. Ensure that no water can seep into the device.

8.2 Servicing

Important. Always ensure that the machine is not connected to the mains supply before you start any servicing work.

- In the following: One cycle means one raising and lowering movement of a load. Periodic inspection means an inspection after 100 cycles.
- Test periodically that the limit switches on the cable hoist are in correct working order. (Test without a load) Conduct this test as follows: When the cable has reached the maximum height, the lever on the automatic stopping mechanism (5) will be actuated. The motor (14) must then stop. When the steel cable (6) has been unwound as far as possible, the lever for the maximum cable length (4) will be actuated. The motor (14) must then stop.
- Inspect the mains cable (12) and the control cable (13) periodically.
- The steel cable (6) and return roller (15) must be greased every 200 cycles.
- A check must be made every 30 cycles, as shown in Fig. 4, to find whether the entire

steel cable (6) is in good condition. If it is damaged, it must be replaced by a steel cable of the type specified in the technical data.

- Check every 1000 cycles whether the screws for the fastening bars (1) and return roller (15) are properly tightened.
- Check every 1000 cycles whether the hooks (8/16) and return roller (15) are in good condition.
- Check before using the cable hoist whether the Emergency Stop switch (9) and pushbuttons (10) are in perfect working order.
- Check the braking system every 1000 cycles. If the motor (14) makes any unusual noises or cannot raise the rated load, it is possible that the braking system requires an overhaul:
 - Replace damaged or worn parts and keep the service documentation relating to this in a safe place.
 - Please contact an authorized service center for any unscheduled maintenance work.

8.3 Ordering replacement parts:

Please quote the following data when ordering replacement parts:

- Type of machine
- Article number of the machine
- Identification number of the machine

For our latest prices and information please go to www.isc-gmbh.info

9. Disposal and recycling

The unit is supplied in packaging to prevent its being damaged in transit. This packaging is raw material and can therefore be reused or can be returned to the raw material system. The unit and its accessories are made of various types of material, such as metal and plastic. Defective components must be disposed of as special waste. Ask your dealer or your local council.



For EU countries only

Never place any electric tools in your household refuse.

To comply with European Directive 2002/96/EC concerning old electric and electronic equipment and its implementation in national laws, old electric tools have to be separated from other waste and be disposed of in an environment-friendly fashion, e.g. by taking to a recycling depot.

Recycling alternative to returning the electrical equipment:

The owner of the electrical equipment is obligated to arrange for its proper disposal if he no longer wants to keep the equipment in his possession and does not want to return it. In this case the old equipment can be taken to a recycling depot where it is disposed of in accordance with national recycling and waste disposal laws. This does not apply to accessory parts and aids which supplement the old equipment and contain no electrical parts

GB

10. Declaration of conformity

Einhell Germany AG · Wiesenweg 22 · D-94405 Landau/Isar

**Konformitätserklärung**

- erklårt folgende Konformität gemäß EU-Richtlinie und Normen für Artikel
 explains the following conformity according to EU directives and norms for the following product
 déclare la conformité suivante selon la directive CE et les normes concernant l'article
 dichiara la seguente conformità secondo la direttiva UE e le norme per l'articolo
 verklaart de volgende overeenstemming conform EU richtlijn en normen voor het product
 declara la siguiente conformidad a tenor de la directiva y normas de la UE para el artículo
 declara a seguinte conformidade, de acordo com a directiva CE e normas para o artigo
 attesterer følgende overensstemmelse i medfør af EU-direktiv samt standarder for artiklen
 förklarar följande överensstämmelse enl. EU-direktiv och standarder för artikeln
 vakuuttaa, että tuote täyttää EU-direktiivin ja standardien vaatimukset
 töendab toote vastavust EL direktiivile ja standarditele
 vydává následující prohlášení o shodě podle směrnice EU a norem pro výrobek
 potrjuje sledečo skladnost s smernico EU in standardi za izdelek
 vydáva nasledujúce prehlásenie o zhode podľa smernice EÚ a noriem pre výrobok
 a cikkekhöz az EU-irányvonal és Normák szerint a következő konformitást jelenti ki
 deklaruje zgodność wymienionego poniżej artykułu z następującymi normami na podstawie dyrektywy WE.
 декларира съответното съответствие съгласно Директива на ЕС и норми за артикул
 paskaidro šādu atbilstību ES direktīvai un standartiem
 apibūdina šj atitikimā EU reikalavimams ir prekės normoms
 declară următoarea conformitate conform directivei UE și normelor pentru articolul
 δηλώνει την ακόλουθη συμμόρφωση σύμφωνα με την Οδηγία ΕΚ και τα πρότυπα για το προϊόν
 potvrđuje sljedeću usklađenost prema smjernicama EU i normama za artikl
 potvrđuje sljedeću usklađenost prema smjernicama EU i normama za artikl
 potvrđuje sledeću usklađenost prema smernicama EÚ i normama za artikl
 следующим удостоверяется, что следующие продукты соответствуют директивам и нормам ЕС
 проголошує про зазначену нижче відповідність виробу директивам та стандартам ЄС на виріб
 ja izjavuва slednata soobraznost soglasno EÚ-direktivata i normite za artikli
 Ürünü ile ilgili AB direktifleri ve normları gereğince aşağıda açıklanan uygunluğu belirtir
 erklærer følgende samsvar i henhold til EU-direktivet og standarder for artikkel
 Lýsir uppfyllingu EU-reglna og annarra staðla vöru

Seilhebezug P-SZ 250

- | | |
|---|--|
| <input checked="" type="checkbox"/> 2006/95/EC | <input checked="" type="checkbox"/> 2006/42/EC |
| <input type="checkbox"/> 2006/28/EC | <input checked="" type="checkbox"/> 98/37/EC |
| <input type="checkbox"/> 2005/32/EC | <input type="checkbox"/> Annex IV
Notified Body:
Notified Body No.:
Reg. No.: |
| <input checked="" type="checkbox"/> 2004/108/EC | <input type="checkbox"/> 2000/14/EC_2005/88/EC |
| <input type="checkbox"/> 2004/22/EC | <input type="checkbox"/> Annex V |
| <input type="checkbox"/> 1999/5/EC | <input type="checkbox"/> Annex VI
Noise: measured L_{WA} = dB (A); guaranteed L_{WA} = dB (A)
P = KW; L/O = cm
Notified Body: |
| <input type="checkbox"/> 97/23/EC | <input type="checkbox"/> 2004/26/EC
Emission No.: |
| <input type="checkbox"/> 90/396/EC | |
| <input type="checkbox"/> 89/686/EC_96/58/EC | |
| <input type="checkbox"/> 87/404/EC | |

Standard references: EN 14121; EN 14492-2; EN 60204-32;
EN 55014-1; EN 55014-2; EN 61000-3-2; EN 61000-3-3

Landau/Isar, den 26.05.2009

Weichselgartner/General Manager

Wentao/Product-Management

First CE: 09

Art.-No.: 22.551.22 I.-No.: 01019

Subject to change without notice

Archive-File/Record: 2255120-02-4155050-09

Documents registrar: Robert Mayn
Wiesenweg 22, D-94405 Landau/Isar

11. GUARANTEE CERTIFICATE

Dear Customer,

All of our products undergo strict quality checks to ensure that they reach you in perfect condition. In the unlikely event that your device develops a fault, please contact our service department at the address shown on this guarantee card. Of course, if you would prefer to call us then we are also happy to offer our assistance under the service number printed below. Please note the following terms under which guarantee claims can be made:

1. These guarantee terms cover additional guarantee rights and do not affect your statutory warranty rights. We do not charge you for this guarantee.
2. Our guarantee only covers problems caused by material or manufacturing defects, and it is restricted to the rectification of these defects or replacement of the device. Please note that our devices have not been designed for use in commercial, trade or industrial applications. Consequently, the guarantee is invalidated if the equipment is used in commercial, trade or industrial applications or for other equivalent activities. The following are also excluded from our guarantee: compensation for transport damage, damage caused by failure to comply with the installation/assembly instructions or damage caused by unprofessional installation, failure to comply with the operating instructions (e.g. connection to the wrong mains voltage or current type), misuse or inappropriate use (such as overloading of the device or use of non-approved tools or accessories), failure to comply with the maintenance and safety regulations, ingress of foreign bodies into the device (e.g. sand, stones or dust), effects of force or external influences (e.g. damage caused by the device being dropped) and normal wear resulting from proper operation of the device. This applies in particular to rechargeable batteries for which we nevertheless issue a guarantee period of 12 months.

The guarantee is rendered null and void if any attempt is made to tamper with the device.

3. The guarantee is valid for a period of 3 years starting from the purchase date of the device. Guarantee claims should be submitted before the end of the guarantee period within two weeks of the defect being noticed. No guarantee claims will be accepted after the end of the guarantee period. The original guarantee period remains applicable to the device even if repairs are carried out or parts are replaced. In such cases, the work performed or parts fitted will not result in an extension of the guarantee period, and no new guarantee will become active for the work performed or parts fitted. This also applies when an on-site service is used.
4. In order to assert your guarantee claim, please send your defective device postage-free to the address shown below. Please enclose either the original or a copy of your sales receipt or another dated proof of purchase. Please keep your sales receipt in a safe place, as it is your proof of purchase. It would help us if you could describe the nature of the problem in as much detail as possible. If the defect is covered by our guarantee then your device will either be repaired immediately and returned to you, or we will send you a new device.

Of course, we are also happy offer a chargeable repair service for any defects which are not covered by the scope of this guarantee or for units which are no longer covered. To take advantage of this service, please send the device to our service address.

Einhell UK Ltd
Morpeth Wharf · Twelve Quays
Birkenhead, Wirral
CH41 1NG
Tel. 0151 6491500 · Fax 0151 6491501

SI

Kazalo:	Stran
1. Uvod	15
2. Varnostna navodila	15
3. Opis naprave in obseg dobave.....	15-16
4. Predpisana namenska uporaba	16
5. Tehnični podatki.....	16
6. Pred prvim zagonom	16-17
7. Upravljanje.....	17-18
8. Čiščenje, vzdrževanje in naročanje nadomestnih delov.....	18
9. Odstranjevanje odpadkov in reciklaža	19
10. Izjava o skladnosti.....	20
11. Garancijski list.....	21

Ponatis ali druge vrste razmnoževanje dokumentacije in spremljajočih dokumentov proizvodov proizvajalca, tudi v izvlečkih, je dovoljeno samo z izrecnim soglasjem firme ISC GmbH.

Tehnične spremembe pridržane.

1. Uvod

⚠ Pozor!

Pri uporabi naprav je potrebno upoštevati preventivne varnostne ukrepe, da bi tako preprečili poškodbe in škodo na napravi. Zato ta navodila skrbno preberite. Ta varnostna navodila shranite dobro, da Vam bodo informacije vsak čas na razpolago. V primeru, da bi to napravo predali drugim osebam, Vas prosimo, da ta navodila za uporabo izročite skupaj z napravo.

Mi ne prevzemamo nobene odgovornosti za nesreče ali škodo, ki bi nastala zaradi neupoštevanja teh navodil in varnostnih navodil.

2. Varnostna navodila

⚠ OPOZORILO!

Preberite varnostne napotke in navodila.

Neupoštevanje varnostnih napotkov in navodil ima lahko za posledico električni udar, požar in/ali hude poškodbe.

Shranite vse varnostne napotke in navodila za kasnejšo uporabo.

- Preverite, če se napetost električnega omrežja ustreza napetosti, ki je navedena na tipski tablici. V primeru, da napetost električnega omrežja ni ustrezna, lahko to vodi do nenormalnega delovanja stroja in povzroči telesne poškodbe.
- Pri oskrbi z električnim tokom mora biti prisotna tudi ozemljitev, oskrba z električnim tokom pa mora biti opremljena tudi z zaščitnim stikalom proti okvarnemu toku.
- Prepovedano je dvigovanje tovora, katerega teža je večja od navedene nazivne teže.
- Napravo uporabljajte le v namen, za katerega je ta naprava predvidena. Z dvigalno napravo na vrh nikoli ne dvigujte ljudi.
- Nikoli ne vlecite za kabel z namenom, da bi tako potegnili električni vtikač iz električne

priključne vtičnice. Kabel varujte pred vročino, oljem in ostrimi robovi.

- Nikoli ne poskušajte z napravo dvigniti utrjen ali blokiran tovor.
- Ko dvigalna naprava ni v rabi, jo izklopite iz električnega omrežja tako, da električni vtikač potegnete iz električne omrežne vtičnice.
- Otroke in ostale nepooblaščen osebe ne pustite v bližino naprave.
- Tovor je prepovedano vleči bočno ali z ene strani. Preprečite nihanje tovora.
- Prepričajte se, da se kljuka premika v isti smeri kot je prikazano na tlačnem stikalu.
- Redno preverjajte žično dvigalo glede poškodb. Tlačno stikalo mora biti v dobrem stanju.
- Popravila in vzdrževalna dela na napravi se naj izvajajo pri pooblaščenih servisih preko strokovnjaka za elektriko. Popravila lahko izvaja le strokovnjak za elektriko, ker lahko v drugačnem primeru uporabniku preti nevarnost, da pride do nezgode.
- Izogibajte se hitremu vklopu in izklopu (impulzno krmiljenje).
- Pri upravljanju z dvigalno napravo na vrh morate biti ves čas pozorni.
- Pod dvignjenim tovorom ne smete stati ali delati.
- Nedopustno je dvigati pritrjena ali zataknjena bremena.

3. Opis naprave in obseg dobave (Slika 1-2)

1. Pritrdilo
2. Luknja za pritrditev kavlja
3. Boben
4. Ročica za maksimalno dolžino vrvi
5. Ročica avtomatskega zavornega mehanizma
6. Jeklena vrv
7. Odklopna utež
8. Kavelj
9. Stikalo za izklop v sili
10. Tipka
11. Daljinsko upravljanje
12. Električni omrežni kabel

SI

- 13. Kabel naprave za daljinsko upravljanje
- 14. Motor
- 15. Preusmerjevalni škripec
- 16. Dodatni kavelj

Delovanje v načinu S3 - 20% - 10 min: S3 = V prekinjenem načinu obratovanja brez vpliva zagonskega postopka. To pomeni, da znaša v času 10 minut max. čas obratovanja naprave 20% (2 minut).

4. Predpisana namenska uporaba

Dvigalna naprava je namenjena za dvigovanje in spuščanje tovora v zaprtih prostorih. Tovor mora biti primeren glede na zmogljivost naprave.

Stroj je dovoljeno uporabljati samo za namene, za katere je bil konstruirani. Vsaka druga uporaba ni dovoljena. Za kakršnokoli škodo ali poškodbe, ki bi nastale zaradi nedovoljene uporabe, nosi odgovornost uporabnik / upravljalac, ne pa proizvajalec.

Prosimo, da upoštevate, da naše naprave niso bile konstruirane za namene profesionalne, obrtniške ali industrijske uporabe. Ne prevzemamo nobenega jamstva, če se naprava uporablja za profesionalne, obrtniške ali industrijske namene ali za izvajanje podobnih dejavnosti.

5. Tehnični podatki

Napetost (V)	230 V ~ 50 Hz
Nazivni tok (A)	2,2
Sprejem moči (W)	500
Način delovanja	S3 20%:10 min
Nazivna teža (kg)	125 / 250
Višina dviga (m)	11,5 / 5,7
Nazivna hitrost (m/min)	8 / 4
Premer jeklene vrvi (mm)	3,0
Natezna trdnost jeklene vrvi (N/mm ²)	1870
Izolacijski razred	B
Zaščitni razred	IP24
Razred pogonske naprave	M1
Neto teža (kg)	10,5

6. Pred prvim zagonom

- Preden napravo priključite na električno omrežje se prepričajte, da se podatki na tipski tablici ujemajo s podatki električnega omrežja.
- Preden na napravi pričnete izvajati nastavljala dela vedno prvo potegnite električni vtikač iz električne priključne vtičnice.
- Potezna dvižna naprava ni primerna za transport vročih in/ali staljenih mas, prav tako pa potezna dvižna naprava ni primerna za uporabo pri nizkih temperaturah in v okoljih z izjemnimi vremenskimi pogoji.
- Mehanska skupina je M1.
- Amortizacijska doba dvigalne naprave na vrv je pribl. 8000 ciklov (razen deli, ki se hitro obrabijo). Ko dvigalna naprava odsluži 8000 ciklov, je potrebno mehanske dele pregledati in jih servisirati.
- Preden pričnete dvigalno napravo uporabljati, preberite navodila za uporabo.
- Prepričajte se, da bo uporabnik vedel kako stroj deluje in kako ga je potrebno uporabljati.
- Uporabnik mora zmeraj postopati v skladu z navodili za uporabo.
- Dvigalna naprava ni namenjena za trajno uporabljanje. Način obratovanja: prekinjeno obratovanje brez vpliva zagonskega postopka.
- Nazivna moč stroja se ne spreminja s položajem obremenitve.

6.1 Razpakiranje

Po odpiranju embalaže preglejte morebitne transportne poškodbe na napravi, jekleni žici, kljuki, ročici za največjo dolžino žice in ročici avtomatskega mehanizma za zaustavljanje.

6.2 Montaža (Slika 5)

Žično dvigalo je opremljeno z 2 ročajema za pritrditev (1), s katerima ga je treba pritrditi na štirikotno cev / pomično ročico. Dimenzije štirikotne cevi / pomične ročice morajo biti v skladu z velikostjo ročaja za pritrditev (1) in leta mora biti v stanju nositi dvakratno nazivno obremenitev. Priporočamo Vam, da stopite v stik s strokovno usposobljenim tehnikom. Vsi vijaki morajo biti pravilno zategnjeni. Pred zagonom mora tehnik preveriti usidranje štirikotne cevi / pomične ročice.

6.3 Delo s pomočjo škripcjevja (Slike 6 – 9)

Dvigalna naprava na vrv je opremljena s preusmerjevalnim škripcem (15) in z dodatnim kavljem (16). S pravilno uporabo lahko dvigalna naprava dvigne dvojni tovor. Preusmerjevalni škripec (15) in dodaten kavelj (16) montirajte tako kot je to prikazano na slikah 6-8. Fiksno montiran kavelj (8) je potrebno obesiti v odprtino za pritrditev kavlja (2) (Slika 9).

Tovor se zdaj dviga s pomočjo dveh jeklenih vrvi, dvigalna naprava lahko tako dvigne dvojni tovor.

7. Upravljanje

7.1 Zagon

- Pred prvo uporabo z bobna (3) odstranite lepilni trak.
- Vrednost A-ovrednotenja hrupne emisije na urpavljalcu je nižja kot 70 dB.
- Napetost oskrbe z električnim tokom: 230 V \pm 10%, 50 Hz \pm 1%.
- Dvigalna napravo na vrv se uporablja pri temperaturah okolja med 0 °C in 40 °C in pri relativni vlažnosti pod 85%. Do nadmorske višine: maks. 1000 m.
- Stroj se lahko transportira in skladišči pri temperaturah med -25 °C in 55 °C. Najvišja dopustna temperatura ne sme presegati 70 °C.
- Uporabnik mora tovor s tal dvigniti z najmanjšo možno hitrostjo. Tik preden se tovor začne dvigovati, mora vrv biti napeta.

- Motor (14) dvigalne naprave na vrv je opremljen s termostatskim stikalom. Zato lahko med delovanjem pride do zaustavitve motorja (14), ta pa se avtomatsko ponovno zažene, ko se ohladi.
- Električna dvigalna naprava na vrv ni opremljena z omejevalom nazivne moči. Zato Vas prosimo, da v primeru, ko zaščita proti pregrevanju omeji delovanje, tovora ne poskušajte dvigovati dalje. V tem primeru je obremenitev večja od nazivne moči dvigalne naprave na vrv.
- Nobenega tovora ne smete pustiti viseti nenadzorovano brez, da bi zagotovili preventivne varnostne ukrepe.
- Da bi zavarovali električni krog, je napravo potrebno zavarovati z 10 A varovalko ali z 10 A varnostnim stikalom proti okvarnemu toku.
- Ročico (4/5) ne uporabljajte kot rutinsko zavorno napravo. Ta služi le kot naprava za zaustavitev v skrajni sili.
- Preden začnete z delom, se prepričajte, da je jeklena vrv (6) pravilno navita okoli bobna (3) in da je razmak med navoji manjši od premera jeklene vrvi (Slika 3).
- Poskrbite, da bo tovor, na primer pri delovanju s škripci, pravilno zavarovan na kavlju (8) in na dodatnem kavlju (16), vedno pa poskrbite tudi za varnostno razdaljo do tovora in do jeklene vrvi (6).

7.2 Delovanje (Slika 9-10)

- Preverite, če je zasilno stikalo (9) pritisnjeno. Obrnite zasilno stikalo v smeri urinega kazalca, da ga odpahnete.
- Za dvigovanje tovora pritisnite na tipko ▲ (10).
- Za spuščanje tovora pritisnite na tipko ▼ (10).
- Ročica avtomatskega zavornega mehanizma (5): Ko je maksimalna dvižna višina dosežena, odklopna utež (7) pritisne ročico (5) navzgor. S tem se aktivira končno stikalo in tovora ni mogoče več dvigniti višje.
- Ročica za največjo dolžino žice (4): ko breme doseže najnižji možni položaj, se aktivira končno stikalo, ki onemogoča

SI

nadaljnje spuščanje bremena. To končno stikalo bi preprečevalo tudi delovanje žičnega dvigala v napačni smeri (kljuka se pomika v nasprotni smeri kot je prikazano na tlačnem stikalu).

- Če se aktivira stikalo za izklop v sili (9), se dvigalna naprava zaustavi.
- V skrajnem primeru sile takoj pritisnite na stikalo za izklop v sili (9), da s tem zaustavite dvigalno napravo. V primeru aktiviranja stikala za izklop v sili, je delo z dvigalno napravo onemogočeno.

8. Čiščenje, vzdrževanje in naročanje nadomestnih delov

Pred vsemi čistilnimi deli izklopite električni vtičnik iz električne priključne vtičnice.

8.1 Čiščenje

- Zaščitne naprave, zračne reže in ohišje motorja vzdržujte v karseda čistem stanju. Napravo zdrgnite s čisto krpo ali pa jo izpihajte s komprimiranim zrakom (pod nizkim pritiskom).
- Napravo očistite takoj po vsaki uporabi.
- V rednih intervalih napravo očistite tudi z mokro krpo in mazavim milom. Ne uporabljajte nobenih čistilnih sredstev ali razredčil; ta sredstva lahko začnejo nažirati dele iz umetne mase. Pazite na to, da voda ne more prodreti v notranjost naprave.

8.2 Vzdrževanje

Pozor! Vedno, ko na stroju opravljate vzdrževalna del, se prepričajte, da stroj ni priključen na električno omrežje.

- V nadaljevanju: En ciklus ustreza enemu premiku tovora v smeri gor in dol. Periodična kontrola pomeni kontrolo po 100 ciklih.
- Periodično kontrolirajte, če končno stikalo dvigalne naprave deluje pravilno. (kontrola izvedite brez tovora) Kontrolo izvedete na naslednji način: Ko jeklena vrv doseže maksimalno dvižno višino, se aktivira ročica avtomatskega zavornega

mehanizma (5). Motor (14) se zdaj mora zaustaviti. Ko se jeklena vrv (6) odvijje do konca, se aktivira ročica za maksimalno dolžino vrvi (4). Motor (14) se zdaj mora zaustaviti.

- Periodično izvršite kontrolo električnega omrežnega kabla (12) in kabla naprave za daljinsko upravljanje (13).
- Vsakih 200 ciklov je potrebno namazati jekleno vrv (6) in preusmerjevalni škripec (15).
- Vsakih 30 ciklov se je potrebno prepričati (kot je prikazano na sliki 4), da je celotna jeklena vrv (6) v dobrem stanju. V primeru, da je poškodovana, jo je potrebno zamenjati z jekleno vrvjo, ki ima ustrezne tehnične podatke.
- Vsakih 1000 ciklov preverite, če so vijaki pritrdil (1) in preusmerjevalnega škripca (15) dobro priviti.
- Vsakih 1000 ciklov preverite, če sta kavelj (8/16) in preusmerjevalni škripec (15) v dobrem stanju.
- Pred vsako uporabo dvigalne naprave preverite, če sta stikalo za izklop v sili (9) in pritiska tipka (10) v brezhibnem obratovalnem stanju.
- Vsakih 1000 ciklov preverite zavorni sistem. Če motor (14) ustvarja nenavaden hrup ali ne more dvigniti nazivne teže, je možno, da je potrebno servisirati zavorni sistem:
 - Zamenjajte poškodovane ali obrabljene dele in shranite servisno dokumentacijo, ki spada zraven.
 - Za nenačrtovana vzdrževalna dela se obrnite na pooblaščen servisni center.

8.3 Naročanje rezervnih delov:

Pri naročilu rezervnih delov navedite naslednje podatke:

- Tip stroja
- Številka artikla/stroja
- Identifikacijska številka stroja

Aktualne cene in informacije najdete na spletni strani www.isc-gmbh.info

9. Odstranjevanje odpadkov in reciklaža

Naprava je ovita v ovojnino, da bi preprečili poškodovanje zaradi transporta. Ta ovojnina je surovina in jo kot tako lahko ponovno uporabimo ali pa jo predamo v reciklažo. Naprava in njegov pribor so sestavljeni iz različnih materialov, kot n.pr. kovina in umetna masa. Defektne konstrukcijske dele predajte na deponijo za posebne odpadke. Povprašajte v strokovni trgovini ali pri občinski upravi!



Samo za dežele članice EU:

Ne mečite električnega orodja med hišne odpadke.

V skladu z evropsko smernico 2002/96/EG o starih električnih in elektronskih aparatih in uporabo državnih zakonov je potrebno električna orodja zbirati ločeno in odstranjevati v namen reciklaže v skladu s predpisi o varovanju okolja.

Reciklažna alternativa za poziv za vračanje: Lastnik električnega aparata je namesto vračanja aparata dolžan sodelovati pri pravilnem recikliranju v primeru odpovedi lastništvu aparata. Stari aparat se lahko v ta namen preda tudi na prevzemnem mestu, katero izvaja odstranjevanje v smislu državnega zakona o ravnanju z odpadki. To se ne nanaša na starim aparatom priloženih delov pribora in pripomočkov brez električnih sestavnih delov.

SI

10. Izjava o skladnosti

Einhell Germany AG · Wiesenweg 22 · D-94405 Landau/Isar

**Konformitätserklärung**

- erklårt folgende Konformität gemäß EU-Richtlinie und Normen für Artikel
 explains the following conformity according to EU directives and norms for the following product
 déclare la conformité suivante selon la directive CE et les normes concernant l'article
 dichiara la seguente conformità secondo la direttiva UE e le norme per l'articolo
 verklaart de volgende overeenstemming conform EU richtlijn en normen voor het product
 declara la siguiente conformidad a tenor de la directiva y normas de la UE para el artículo
 declara a seguinte conformidade, de acordo com a directiva CE e normas para o artigo
 attesterer følgende overensstemmelse i medfør af EU-direktiv samt standarder for artiklen
 förklarar följande överensstämmelse enl. EU-direktiv och standarder för artikeln
 vakuuttaa, että tuote täyttää EU-direktiivin ja standardien vaatimukset
 toendab toote vastavust EL direktiivile ja standarditele
 vydává následující prohlášení o shodě podle směrnice EU a norem pro výrobek
 potrjuje sledečo skladnost s smernico EU in standardi za izdelek
 vydáva nasledujúce prehlásenie o zhode podľa smernice EÚ a noriem pre výrobok
 a cikkekhez az EU-irányvonal és Normák szerint a következő konformitást jelenti ki
 deklaruje zgodność wymienionego poniżej artykułu z następującymi normami na podstawie dyrektywy WE.
 декларира съответното съответствие съгласно Директива на ЕС и норми за артикул
 paskaidro šādu atbilstību ES direktīvai un standartiem
 apibūdina šj atitikamā EU reikalavimams ir prekės normoms
 declară următoarea conformitate conform directivei UE și normelor pentru articolul
 δηλώνει την ακόλουθη συμμόρφωση σύμφωνα με την Οδηγία ΕΚ και τα πρότυπα για το προϊόν
 potvrđuje sljedeću usklađenost prema smjernicama EU i normama za artikl
 potvrđuje sljedeću usklađenost prema smjernicama EU i normama za artikl
 potvrđuje sledeću usklađenost prema smernicama EZ i normama za artikla
 следующим удостоверяется, что следующие продукты соответствуют директивам и нормам ЕС
 проголошує про зазначену нижче відповідність виробу директивам та стандартам ЄС на виріб
 ja izjavuva slednata soobrznost soglasno EU-direktivata i normite za artikli
 Ürünü ile ilgili AB direktifleri ve normları gereğince aşağıda açıklanan uygunluğu belirtir
 erklærer følgende samsvar i henhold til EU-direktivet og standarder for artikkel
 Lýsir uppfyllingu EU-reglna og annarra staðla vöru

Seilhebezug P-SZ 250

- | | |
|---|--|
| <input checked="" type="checkbox"/> 2006/95/EC | <input checked="" type="checkbox"/> 2006/42/EC |
| <input type="checkbox"/> 2006/28/EC | <input checked="" type="checkbox"/> 98/37/EC |
| <input type="checkbox"/> 2005/32/EC | <input type="checkbox"/> Annex IV
Notified Body:
Notified Body No.:
Reg. No.: |
| <input checked="" type="checkbox"/> 2004/108/EC | <input type="checkbox"/> 2000/14/EC_2005/88/EC |
| <input type="checkbox"/> 2004/22/EC | <input type="checkbox"/> Annex V |
| <input type="checkbox"/> 1999/5/EC | <input type="checkbox"/> Annex VI
Noise: measured L_{WA} = dB (A); guaranteed L_{WA} = dB (A)
P = KW; L/O = cm
Notified Body: |
| <input type="checkbox"/> 97/23/EC | <input type="checkbox"/> 2004/26/EC
Emission No.: |
| <input type="checkbox"/> 90/396/EC | |
| <input type="checkbox"/> 89/686/EC_96/58/EC | |
| <input type="checkbox"/> 87/404/EC | |

Standard references: EN 14121; EN 14492-2; EN 60204-32;
EN 55014-1; EN 55014-2; EN 61000-3-2; EN 61000-3-3

Landau/Isar, den 26.05.2009

Weichselgartner/General Manager

Wentao/Product-Management

First CE: 09

Art.-No.: 22.551.22 I.-No.: 01019

Subject to change without notice

Archive-File/Record: 2255120-02-4155050-09

Documents registrar: Robert Mayn
Wiesenweg 22, D-94405 Landau/Isar

11. GARANCIJSKI LIST

Spoštovana stranka!

Naši proizvodi podležejo strogi kontroli kakovosti. Če ta naprava kljub temu ne bi delovala brezhibno, to zelo obžalujemo in Vas prosimo, da se obrnete na našo servisno službo na naslov, ki je naveden spodaj na tem garancijskem listu. Z veseljem smo Vam na voljo tudi telefonsko na navedeno servisno klicno številko. Za uveljavljanje garancijskih zahtevkov velja sledeče:

1. Le-ti garancijski pogoji urejajo dodatne garancijske storitve. Vaši zakonski garancijski zahtevki ostanejo s to garancijo nespremenjeni. Naše garancijske storitve so za Vas brezplačne.
2. Garancijske storitve obsegajo izključno samo pomanjkljivosti zaradi napak v materialih in izdelavi in so omejene na odpravo takšnih pomanjkljivosti oziroma na zamenjavo naprave. Prosimo, da upoštevate, da naše naprave niso konstruirane za uporabo v obrtništvu ali industriji. Garancijska pogodba zato ne pride v poštev, če se naprava uporablja v obrtništvu ali v industrijskih obratih ali v podobnih dejavnostih. Poleg tega ne obsega naša garancija nadomestil za transportne poškodbe, škodo zaradi neupoštevanja navodil za montažo ali zaradi nestrokovne inštalacije, neupoštevanja navodil za uporabo (kot n. pr. priklop na napačno omrežno napetost ali vrsto toka), pretirana ali nepravilna uporaba (wkot n.pr. preobremenitev naprave ali uporaba nedovoljenih orodij ali pribora), neupoštevanje predpisov za vzdrževanje in varnostnih predpisov, vstop tujih predmetov v napravo (kot n.pr. pesek, kamenje ali prah), uporaba sile ali tuji vplivi (kot n.pr. poškodbe zaradi padca naprave) ter običajna obraba naprave zaradi uporabe. To velja še posebej za akumulatorje, za katere vendarle dajemo garancijski rok 12 mesecev.

Veljavnost garancijskih zahtevkov ugasne, če so bili na napravi že izvajani posegi.
3. Garancijska doba znaša 3 leti in začne teči z dnevom nakupa naprave. Garancijske zahtevke morate uveljavljati pred potekom garancijske dobe v sveh tednih potem ko ste ugotovili napako. Uveljavljanje garancijskih zahtevkov po poteku garancijske dobe je izključeno. Popravilo ali zamenjava naprave ne privede do podaljšanja garancijske dobe, niti se ne postavi nova garancijska doba zaradi takšnih storitev ali zaradi eventualno vgrajenih nadomestnih delov. To velja tudi za servisne storitve na licu mesta.
4. Za uveljavljanje Vašega garancijskega zahtevka nam pošljite pokvarjeno napravo brez poštnine na spodaj navedeni naslov. Priložite original računa ob nakupu ali drugo potrdilo kot dokazilo o nakupu z datumom nakupa. Zato prosimo, da dobro shranite račun kot dokazilo o nakupu! Prosimo, da nam po možnosti natančno opišete vzroke reklamacije. Če napaka izpolnjuje naše garancijske pogoje, boste nemudoma dobili nazaj popravljeno ali novo napravo.

Seveda bomo proti plačilu stroškov odpravili tudi napake na napravi, katere ne spadajo v obseg garancije ali jih garancija več ne zajema. V takšnem primeru prosimo, da pošljete napravo na naslov naše servisne službe.

GMA-Elektromechanika d.o.o
Cesta Andreja Bitenca 115
SLO 1000 Ljubljana
Tel 01/5838304 · Fax 01/5183803

HR

Sadržaj:	Stranica
1. Uvod	23
2. Sigurnosne napomene	23
3. Opis uređaja i sadržaj isporuke	23
4. Namjenska uporaba	24
5. Tehnički podaci	24
6. Prije puštanja u pogon.....	24-25
7. Rukovanje	25
8. Čišćenje, održavanje i naručivanje rezervnih dijelova	26
9. Zbrinjavanje i recikliranje.....	26-27
10. Izjava o usklađenosti	28
11. Jamstveni list	29

Naknadno tiskanje ili slična umnožavanja dokumentacije i pratećih papira ovih proizvoda, čak i djelomično kopiranje, moguće je samo uz izričito dopuštenje tvrtke ISC GmbH.

Zadržavamo pravo na tehnične izmjene.

1. Uvod

⚠ Pažnja!

Da bi se spriječila ozljeđivanja i nastanak šteta prilikom korištenja uređaja, treba se pridržavati sigurnosnih mjera opreza. Zbog toga pažljivo pročitajte ove upute za uporabu. Dobro ih sačuvajte tako da Vam informacije u svako doba budu na raspolaganju. U slučaju da uređaj trebate predati drugoj osobi, uručite joj s njime i ove upute za uporabu. Ne preuzimamo jamstvo za nesreće ili štete nastale zbog nepridržavanja ovih uputa i njihovih sigurnosnih napomena.

2. Sigurnosne napomene

⚠ UPOZORENJE!

Pročitajte sve sigurnosne napomene i upute.

Propusti kod pridržavanja sigurnosnih napomena i uputa mogu uzrokovati el. udar, požar i/ili teška ozljeđivanja.

Sačuvajte sve sigurnosne napomene i upute za buduće korištenje.

- Uvijek provjerite odgovara li mrežni napon vrijednosti napona navedenoj na tipskoj pločici. U slučaju da mrežni napon ne odgovara, moglo bi doći do nenormalnog rada stroja i ozljeđivanja osoba.
- Strujno napajanje mora imati uzemljenje i biti osigurano zaštitnom sklopkom.
- Zabranjeno je podizati teret koji prelazi nazivno opterećenje.
- Koristite uređaj samo u predviđene svrhe. Nikad ne podižite osobe pomoću dizalice sa sajlom.
- Nikad ne vucite za kabel, da biste izvukli utikač. Držite kabel podalje od izvora topline, ulja, oštarih rubova.
- Nikad nemojte pokušavati podizati fiksirane ili blokirane terete.
- Kad ne koristite dizalicu sa sajlom, izvucite mrežni utikač.
- Djecu i druge za rad neovlaštene osobe držite podalje od uređaja.

- Zabranjeno je povlačiti teret u stranu ili s jedne strane. Izbjegavajte njihanje tereta.
- Provjerite kreće li se kuka u istom smjeru kao što je prikazano na tipki.
- Redovito kontrolirajte dizalicu sa sajlom na oštećenja. Tipka mora biti u dobrom stanju.
- Prepustite popravke i radove održavanja samo električarima u ovlaštenim stručnim radionicama. Popravke smije obavljati samo električar, u suprotnom može doći do nesreće po korisnika.
- Izbjegavajte brzo uključivanje i isključivanje (tipkanje).
- Uvijek budite oprezni prilikom rada s dizalicom sa sajlom.
- Ne stojte niti ne radite ispod podignutog tereta.
- Nije dopušteno podizati zaglavljene ili uklještene terete.

3. Opis uređaja i sadržaj isporuke (slika 1-2)

1. Pričvrсна petlja
2. Rupa za pričvršćenje kuke
3. Bubanj
4. Poluga za maksimalnu dužinu sajle
5. Poluga automatskog mehanizma za zaustavljanje
6. Čelična sajla
7. Isklopni uteg
8. Kuka
9. Sklopka za nuždu
10. Tipke
11. Daljinski upravljač
12. Mrežni kabel
13. Upravljački kabel
14. Motor
15. Skretni kotur
16. Dodatna kuka

4. Namjenska uporaba

Dizalica sa sajlom služi za podizanje i spuštanje tereta u zatvorenim prostorijama u skladu sa snagom uređaja.

Stroj se smije koristiti samo u skladu s namjenom. Svaka drukčija uporaba izvan ovih okvira nije namjenska. Za štete ili ozljeđivanja bilo koje vrste koje bi iz toga proizašle ne odgovara proizvođač nego korisnik.

Molimo da obratite pažnju na to da naši uređaji nisu konstruirani za korištenje u komercijalne svrhe kao ni u obrtu i industriji. Ne preuzimamo jamstvo ako se uređaj koristi u obrtničkim ili industrijskim pogonima i sličnim djelatnostima.

5. Tehnički podaci

Napon (V)	230 V ~ 50 Hz
Nazivna struja (A)	2,2
Snaga (W)	500
Vrsta pogona	S3 20%:10 min
Nazivno opterećenje (kg)	125 / 250
Visina podizanja (m)	11,5 / 5,7
Nazivna brzina (m/min)	8 / 4
Promjer čelične sajle (mm)	3,0
Čvrstoća čelične sajle (N/mm ²)	1870
Klasa izolacije	B
Klasa zaštite	IP24
Pogonska klasa	M1
Neto težina (kg)	10,5

Vrsta pogona S3 - 20% - 10 min: S3 = promjenjivi pogon bez utjecaja vremena zaleta
To znači da za vrijeme od 10 min maks. vrijeme pogona iznosi 20% (2 min).

6. Prije puštanja u pogon

- Prije priključivanja provjerite odgovaraju li podaci na tipskoj pločici podacima o mreži.
- Prije nego što počnete podešavati stroj, uvijek izvucite mrežni utikač.
- Dizalica sa sajlom nije prikladna za transport vrućih i/ili rastopljenih masa, zatim nije predviđena za korištenje kod niskih temperatura i u okolini intenzivnih vremenskih utjecaja.
- Mehanička grupa je M1.
- Trajanje dizalice je oko 8000 ciklusa (isključivši potrošne dijelove). Kad istekne 8000 ciklusa, morate provjeriti i zamijeniti sve mehaničke dijelove.
- Prije nego što započnete s korištenjem dizalice pročitajte i usvojite upute za rukovanje.
- Provjerite zna li osoblje kako stroj funkcionira i kako se s njim rukuje.
- Korisnik bi trebao uvijek raditi u skladu s uputama za rukovanje.
- Dizalica sa sajlom nije predviđena za trajni pogon. Način rada je: promijenjivi pogon bez utjecaja vremena zaleta.
- Nazivna snaga stroja ne varira s položajem opterećenja.

6.1 Raspakiranje

Nakon otvaranja pakiranja provjerite ima li eventualnih transportnih oštećenja uređaja, čelične sajle, kuke, poluge za maksimalnu dužinu sajle ili poluge automatskog mehanizma za zaustavljanje.

6.2 Montaža (slika 5)

Dizalica sa sajlom opremljena je s 2 pričvrstne obujmice (1) pomoću kojih se mora pričvrstiti na četverokutnu cijev / zakretni krak. Dimenzije četverokutne cijevi / zakretnog kraka moraju biti u skladu s veličinom pričvrstnih obujmica (1) i on bi morao izdržati dvostruko nazivno opterećenje. Preporučujemo da u vezi s tim stupite u kontakt s kvalificiranim tehničarom. Sve vijke morate pritegnuti propisno. Prije puštanja u rad kvalificirani tehničar trebao bi provjeriti učvršćenje četverokutne cijevi /

zakretnog kraka.

6.3 Funkcija podizanja pomoću koloturnika (slike 6-9)

Dizalica je opremljena skretnim koturom (15) i dodatnom kukom (16). Kod pravilne uporabe dizalica sa sajлом može podići dvostruki teret. Montirajte skretni kotur (15) i dodatnu kuku (16) kao što je prikazano na slikama 6-8.

Fiksno montirana kuka (8) mora se objesiti na pričvrstnu rupu (2) (slika 9).

Teret se sad podiže pomoću dvije čelične sajle, dizalica može na taj način podići dvostruki teret.

7. Rukovanje

7.1 Puštanje u rad

- Prije prvog korištenja uklonite s bubnja (3) ljepljivu traku.
- Vrijednost izmjerene A-emisije buke na radnom mjestu manja je od 70 dB.
- Napon napajanja: 230V ± 10%, 50Hz ± 1%.
- Dizalicu sa sajlom treba koristiti pri temperaturama okoline između 0 °C i 40 °C, relativne vlage zraka ispod 85%. Nadmorska visina: maks. 1000 m.
- Kod transporta i skladištenja temperatura smije biti između -25 °C i 55 °C. Najviša dopuštena temperatura ne smije prijeći 70 °C.
- Korisnik bi trebao podizati teret s tla s najmanjom mogućom brzinom. Kad se teret podiže, sajla bi trebala biti napeta.
- Motor (14) dizalice sa sajlom opremljen je termostatskom sklopkom. Tijekom rada dizalice može doći do zaustavljanja rada motora (14), on će automatski nastaviti rad čim se ohladi.
- Električna dizalica sa sajlom nije opremljena sigurnosnim prekidačem za ograničavanje nazivnog opterećenja. Zbog toga nemojte dalje pokušavati podizati teret ako je reagirala zaštita od pregrijavanja. U takvom slučaju teret premašuje nazivnu snagu dizalice.
- Ne ostavljajte viseći teret bez nadzora i

poduzetih mjera sigurnosti.

- Osigurajte uređaj osiguračem od 10 A ili zaštitnom sklopkom od 10 A kako biste zaštitili strujni krug.
- Ne koristite poluge (4/5) kao rutinsku napravu za zaustavljanje. One služe za zaustavljanje samo u slučaju nužde.
- Prije nego započnete provjerite je li čelična sajla (6) pravilno namotana na bubanj (3) i jesu li razmaci između namotaja manji od debljine sajle (slika 3).
- Provjerite je li teret na kuki (8) odnosno kod rada s koloturnikom na dodatnoj kuki (16) pravilno osiguran i uvijek održavajte razmak prema teretu i čeličnoj sajli (6).

7.2 Pogon (slika 9-10)

- Provjerite je li pritisnuta sklopka za slučaju nužde (9). Da biste deblokirali sklopku za slučaj nužde, okrenite je u smjeru kazaljke na satu.
- Pritisnite tipku ▲ (10) za podizanje tereta.
- Pritisnite tipku ▼ (10) za spuštanje tereta.
- Poluga automatskog mehanizma za zaustavljanje (5): Kad je postignuta najveća visina podizanja, isklonni uteg (7) pritisne polugu (5) prema gore. Na taj način aktivira se granični prekidač i teret se ne može više podizati.
- Poluga za maksimalnu dužinu sajle (4): Kad teret postigne najniži mogući položaj, aktivira se granični prekidač koji onemogućava daljnje spuštanje tereta. Ovaj granični prekidač također sprječava kretanje sajle dizalice u pogrešnom smjeru (kuka se kreće u smjeru suprotnom od prikazanog na tipki).
- Ako se aktivira sklopka za isključenje u nuždi (9), sajla dizalice se zaustavlja.
- U slučaju nužde odmah pritisnite sklopku (9), kako biste zaustavili rad dizalice. Upravljanje dizalicom nije moguće, ako je bila pritisnuta sklopka za isključenje u nuždi.

8. Čišćenje, održavanje i naručivanje rezervnih dijelova

Prije svih radova čišćenja izvucite mrežni utikač.

8.1 Čišćenje

- Zaštitne naprave, otvore za zrak i kućište motora držite što čišćima od prašine i prljavštine. Istrljajte uređaj čistom krpom ili ga ispušite komprimiranim zrakom pod niskim tlakom.
- Nakon svakog korištenja očistite uređaj.
- Redovito čistite uređaj vlažnom krpom i s malo sapunice. Ne koristite sredstva za čišćenje ni otapala; ona mogu oštetiti plastične dijelove uređaja. Pripazite na to da u unutrašnjost uređaja ne dospije voda.

8.2 Održavanje

Pozor! Kad njeđujete uređaj, provjerite je li on isključen iz strujne mreže.

- Nadalje: Jedan ciklus odgovara jednom podizanju i spuštanju tereta. Periodična kontrola nakon 100 ciklusa.
- Periodički provjeravajte funkcioniraju li granični prekidači dizalice pravilno. (provjerite bez tereta) Provjera se obavlja na sljedeći način: Kad sajla postigne maksimalnu visinu podizanja, aktivira se poluga automatskog mehanizma za zaustavljanje (5). Motor (14) se mora zaustaviti. Kad se čelična sajla (6) odmota do kraja, aktivira se poluga za maksimalnu dužinu sajle (4). Motor (14) se mora zaustaviti.
- Periodički provjeravajte mrežni (12) i upravljački kabel (13).
- Svakih 200 ciklusa morate podmazati čeličnu sajlu (6) i skretni kotur (15).
- Svakih 30 ciklusa morate u skladu sa slikom 4 kontrolirati, je li cijela čelična sajla (6) u dobrom stanju. Ako je ona oštećena, morate je zamijeniti novom u skladu s tehničkim karakteristikama.
- Svakih 1000 ciklusa provjerite jesu li vijci za pričvršćivanje petlji (1) i skretnog kotura (15) dobro pritegnuti.
- Svakih 1000 ciklusa provjerite jesu li kuka

(8/16) i skretni kotur (15) u dobrom stanju.

- Prije svakog korištenja dizalice provjerite jesu li sklopka za slučaj nuđe (9) i tipka (10) u besprijekornom stanju.
- Svakih 1000 ciklusa provjerite kočni sustav. Ako motor (14) stvara čudnu buku ili ne može podignuti nazivni teret, moguće je da se kočni sustav mora servisirati:
 - Zamijenite oštećene ili istrošene dijelove i vodite o tome pripadajuću dokumentaciju o održavanju.
 - Za neplanske popravke molimo da se obratite ovlaštenom servisnom centru.

8.3 Narudžba rezervnih dijelova:

Prilikom naručivanja rezervnih dijelova su potrebni slijedeći podaci:

- Tip uređaja
- Broj artikla uređaja
- Ident. broj uređaja

Aktualne cijene i informacije potražite na web-adresi www.isc-gmbh.info

9. Zbrinjavanje i recikliranje

Uređaj se nalazi u pakovanju koje ga štiti od oštećenja prilikom transporta. Ovo pakovanje je sirovina i zato se može ponovno upotrijebiti ili poslati na reciklažu.

Uređaj i njegov pribor izradjeni su od različitih materijala kao npr. metala i plastike.

Neispravne sastavne dijelove otpremite na mjesta za zbrinjavanje posebnog otpada.

Informacije potražite u specijaliziranoj trgovini ili nadležnoj općinskoj upravi.



Samo za zemlje članice EU

Elektroalate nemojte bacati u kućno smeće!

Prema europskoj odredbi 2002/96/EG o starim električnim i elektroničkim uređajima i njenim prijenosom u nacionalno pravo, istrošeni električni alati trebaju se posebno sakupljati i na ekološki način zbrinuti na mjestu za reciklažu.

Alternativa s recikliranjem nasuprot zahtjevu za povrat:

Vlasnik električnog uređaja alternativno je obvezan da umjesto povrata uređaja u slučaju odricanja vlasništva sudjeluje u stručnom zbrinjavanju uređaja. Stari uređaj može se u tu svrhu predati i mjestu za preuzimanje takvih uređaja koje provodi uklanjanje u smislu državnih zakona o otpadu i recikliranju. Zakonom nisu obuhvaćeni dijelovi pribora ugrađeni u stare uređaje i pomoćni materijali bez električnih elemenata.

HR**10. Izjava o usklađenosti****Einhell Germany AG · Wiesenweg 22 · D-94405 Landau/Isar****Konformitätserklärung**

- erklårt folgende Konformität gemäß EU-Richtlinie und Normen für Artikel
 explains the following conformity according to EU directives and norms for the following product
 déclare la conformité suivante selon la directive CE et les normes concernant l'article
 dichiara la seguente conformità secondo la direttiva UE e le norme per l'articolo
 verklaart de volgende overeenstemming conform EU richtlijn en normen voor het product
 declara la siguiente conformidad a tenor de la directiva y normas de la UE para el artículo
 declara a seguinte conformidade, de acordo com a directiva CE e normas para o artigo
 attesterer følgende overensstemmelse i medfør af EU-direktiv samt standarder for artiklen
 förklarar följande överensstämmelse enl. EU-direktiv och standarder för artikeln
 vakuuttaa, että tuote täyttää EU-direktiivin ja standardien vaatimukset
 tëendab toote vastavust EL direktiivile ja standarditele
 vydává následující prohlášení o shodě podle směrnice EU a norem pro výrobek
 potrjuje sledečo skladnost s smernico EU in standardi za izdelak
 vydáva nasledujúce prehlásenie o zhode podľa smernice EÚ a noriem pre výrobok
 a cikkekhöz az EU-irányvonal és Normák szerint a következő konformitást jelenti ki
 deklaruje zgodność wymienionego poniżej artykułu z następującymi normami na podstawie dyrektywy WE.
 декларира съответното съответствие съгласно Директива на ЕС и норми за артикул
 paskaidro šādu atbilstību ES direktīvai un standartiem
 apibūdina šj atitikimā EU reikalavimams ir prekės normoms
 declară următoarea conformitate conform directivei UE și normelor pentru articolul
 δηλώνει την ακόλουθη συμμόρφωση σύμφωνα με την Οδηγία ΕΚ και τα πρότυπα για το προϊόν
 potvrđuje sljedeću usklađenost prema smjernicama EU i normama za artikl
 potvrđuje sljedeću usklađenost prema smjernicama EU i normama za artikl
 potvrđuje sledeću usklađenost prema smernicama EZ i normama za artikal
 следующим удостоверяется, что следующие продукты соответствуют директивам и нормам ЕС
 проголошує про зазначену нижче відповідність виробу директивам та стандартам ЄС на виріб
 ja izjavuva slednata soobrznost soglasno EU-direktivata i normite za artikli
 Ürünü ile ilgili AB direktifleri ve normları gereğince aşağıda açıklanan uygunluğu belirtir
 erklærer følgende samsvar i henhold til EU-direktivet og standarder for artikkel
 Lýsir uppfyllingu EU-reglna og annarra staðla vöru

Seilhebezug P-SZ 250

- | | |
|---|--|
| <input checked="" type="checkbox"/> 2006/95/EC | <input checked="" type="checkbox"/> 2006/42/EC |
| <input type="checkbox"/> 2006/28/EC | <input checked="" type="checkbox"/> 98/37/EC |
| <input type="checkbox"/> 2005/32/EC | <input type="checkbox"/> Annex IV
Notified Body:
Notified Body No.:
Reg. No.: |
| <input checked="" type="checkbox"/> 2004/108/EC | <input type="checkbox"/> 2000/14/EC_2005/88/EC |
| <input type="checkbox"/> 2004/22/EC | <input type="checkbox"/> Annex V |
| <input type="checkbox"/> 1999/5/EC | <input type="checkbox"/> Annex VI
Noise: measured L _{WA} = dB (A); guaranteed L _{WA} = dB (A)
P = KW; L/O = cm
Notified Body: |
| <input type="checkbox"/> 97/23/EC | <input type="checkbox"/> 2004/26/EC
Emission No.: |
| <input type="checkbox"/> 90/396/EC | |
| <input type="checkbox"/> 89/686/EC_96/58/EC | |
| <input type="checkbox"/> 87/404/EC | |

**Standard references: EN 14121; EN 14492-2; EN 60204-32;
EN 55014-1; EN 55014-2; EN 61000-3-2; EN 61000-3-3**

Landau/Isar, den 26.05.2009


 Weichselgartner/General Manager


 Wentao/Product-Management

First CE: 09

Art.-No.: 22.551.22 I.-No.: 01019

Subject to change without notice

Archive-File/Record: 2255120-02-4155050-09

Documents registrar: Robert Mayn

Wiesenweg 22, D-94405 Landau/Isar

11. JAMSTVENI LIST

Poštovani kupče,

naši proizvodi podliježu strogoj kontroli kvalitete. Žao nam je ako bi ipak došlo do toga da uređaj ne funkcionira besprijekorno i zamolili bismo Vas da se u tom slučaju obratite na adresu naše servisne službe navedenu ispod ovog jamstva. Također smo Vam na raspolaganju na dolje navedenom telefonskom broju servisne službe. Za traženje jamstvenog zahtjeva vrijedi sljedeće:

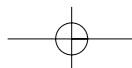
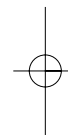
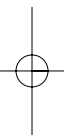
1. Ovi jamstveni uvjeti reguliraju dodatne jamstvene usluge. Ovo jamstvo ne zadire u Vaše zakonsko pravo zahtjeva za ostvarenje jamstvenih usluga. Realizacija jamstvenih usluga je besplatna.
2. Jamstvena usluga obuhvaća isključivo nedostatke nastale zbog greške na materijalu ili tijekom proizvodnje i ograničen je na uklanjanje tih nedostataka odnosno zamjenu uređaja. Molimo da obratite pažnju na to da naši uređaji nisu konstruirani za korištenje u komercijalne svrhe niti u obrtu i industriji. Prema tome, ugovor o jamstvu ne može se ostvariti ako se uređaj koristi u obrtničkim ili industrijskim pogonima kao i u sličnim djelatnostima. Nadalje su iz jamstva isključene usluge zamjene proizvoda u slučaju transportnih oštećenja, šteta zbog nepridržavanja uputa za montažu ili zbog nestručne instalacije, nepridržavanja uputa za uporabu (kao npr. zbog priključka na pogrešni mrežni napon ili vrstu struje), zbog zlorababa ili nestručnih primjena (kao npr. preopterećenje uređaja ili korištenje nedopuštenih alata ili pribora), u slučaju nepridržavanja uputa za održavanje i sigurnosnih odredbi, zbog prodiranja stranih tijela u uređaj (npr. pijeska, kamenja ili prašine), nasilne primjene ili vanjskih utjecaja (kao npr. oštećenja zbog pada) kao i zbog uobičajenog trošenja tijekom korištenja. To naročito vrijedi za baterije za koje ipak dajemo jamstvo od 12 mjeseci.

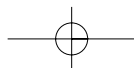
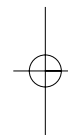
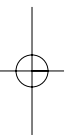
Zahtjev za jamstvo prestaje biti valjan ako su na uređaju već izvršeni neki zahvati.

3. Jamstveni rok iznosi 3 godine a započinje s datumom kupnje uređaja. Jamstveni zahtjevi ostvaruju se prije isteka jamstvenog roka unutar dvije godine nakon što ste uočili kvar. Ostvarenje jamstvenog zahtjeva nakon isteka jamstvenog roka je isključeno. Popravkom ili zamjenom uređaja ne produljuje se jamstveni rok niti se tom uslugom ostvaruju jamstveni rok za uređaj ili ostale ugrađene rezervne dijelove. To također vrijedi i kod korištenja servisa na licu mjesta.
4. Da biste ostvarili svoj jamstveni zahtjev, molimo Vas da nam pošaljete neispravan uređaj bez plaćanja poštarine na dolje navedenu adresu. Priložite originalni računa za kupnju uređaja ili neki drugi dokaz o kupnji s datumom. Molimo Vas da zbog tog razloga dobro sačuvate račun kao dokaz! Što točnije opišite razlog reklamacije. Ako naša jamstvena usluga obuhvaća kvar nastao na Vašem uređaju, odmah ćemo Vam vratiti popravljeni ili novi uređaj.

Razumljivo je da ćemo za naknadu troškova ukloniti i kvarove koje jamstvena usluga ne obuhvaća. U tom slučaju pošaljite uređaj na adresu našeg servisa.

Einhell Croatia d.o.o.
Velika Ves 2
HR-49224 Lepajci
Tel. 049 342 444 · Fax 049 342 392







IAN: 35326

Einhell Germany AG

Wiesenweg 22

D-94405 Landau/Isar

Last Information Update · Stanje informacij

Stanje informacija: 06/2009

Ident.-No.: 22.551.22 062009 - 4

