

## 3 pcs Tooling set YPL 3 Limited special edition

Art.-No.: **42.560.80**

Bar code: **4006825511833**

Sales unit: **2 pcs**

### Hammer drill YPL 3/1

Smartly designed handy hammer drill, electronically controlled with an impact resistant housing, double insulated. For drilling, hammer drilling, screwing in wood, metal, stone and concrete best suitably. The hammer drill serves for a wide range of drilling tasks. The quiet running of the unit, the electronic speed control and the ergonomic design allow fatigueless work.

#### Features:

- Electronic speed control (1) with pre-selection settings
- Right/Left Rotation (2)
- Quick locking chuck 2-13 mm (3)
- Additional handle with depth gauge (4)
- Drilling/Hammer Drilling (5)

#### Technical data:

- Mains: 230 V ~ 50 Hz
- Power: 710 watts
- Drilling capacity: concrete 13 mm  
steel 10 mm  
wood 32 mm
- No-load speed: 0-2800 min<sup>-1</sup>
- Weight: 2.1 kg

### Laser Jig saw YPL 3/2

Laser Jig saw for multi-purpose use. An adjustable saw plate allows you to set various angles of tilt. The Jig saw is equipped with electronic control and 3-settings pendulum. You can make precise cuts with the additional laser function.

#### Features:

- Stroke rate control speed electronics (6)
- Saw plate tiltable up to 45° to the left and right (7)
- Screen view (8)
- Laser module (9)
- 3-settings pendulum 0/1/2

#### Technical data:

- Mains: 230 V ~ 50 Hz
- Power: 750 watts
- Number of stroke n<sub>0</sub>: 600-3000 min<sup>-1</sup>
- Cutting depth: wood max. 100 mm  
iron max. 10 mm  
plastic max. 20 mm
- Bevel cut: max. 45°
- Laser level: II
- Weight: 2.3 kg

### Angle grinder YPL 3/3

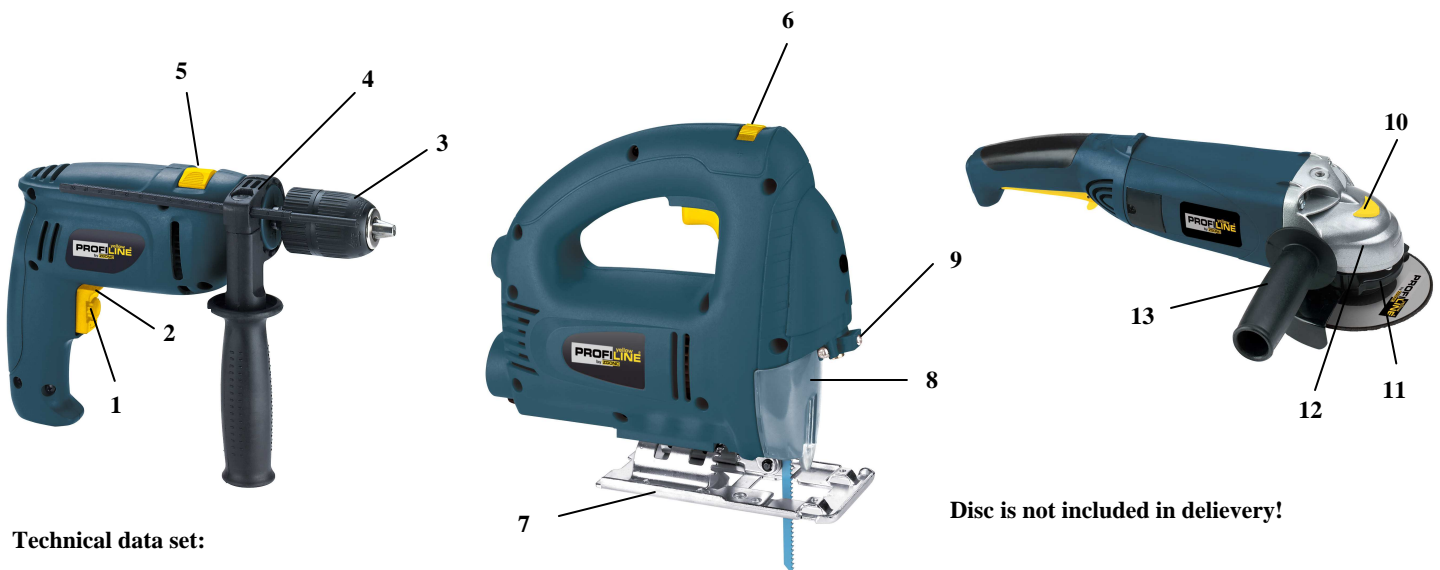
Powerful, robust, handy and practical designed angle grinder for roughing, grinding, cutting and polishing; size of disc Ø 125 mm. The disc lock allows quick and problem-free change of the disc. You need only the enclosed flange key. Flat metal-gear-head; ideal for jobs in hard-to-get to areas.

#### Features:

- Spindle lock (10)
- Disc protection adjustment (11)
- Metal gear head (12)
- Additional handle (13)

#### Technical data:

- Mains: 230 V ~ 50 Hz
- Power: 960 watts
- Idle speed n<sub>0</sub>: max 10.500 min<sup>-1</sup>
- Ø disk: 125 mm
- Spindle thread: M 14
- Weight: 3 kg



#### Technical data set:

- Weight set: 7.5 kg
- Packing dimensions set: 470 x 180 x 250 mm

**Disc is not included in delivery!**