

Stone cutting machine YPL 251

Art.-No.: **43.014.11**

Bar-Code: 4006825506570

Sales Unit: 1 pc

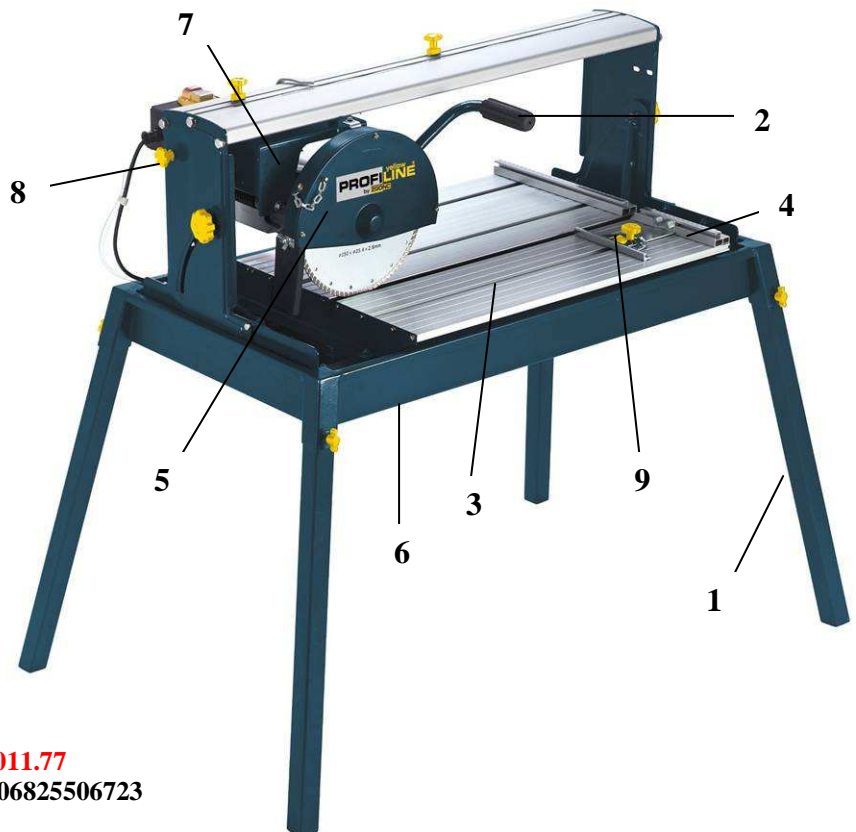
The sturdy and light stone cutting machine YPL 251 is in the best way suitable by fast and problem-free assemble of the four-standard-condition base both for stationary and mobile application. With its extensive possibilities you can use the stone cutting machine in various work situation. The unit is designed for precise cutting of various sizes of concrete slabs, paving stones, marble slabs, granite slabs, bricks and ceramic tiles of any kind. With few handles you can make mitre and double mitre cuts and Jolly cuts. The diamond cutting disc is cooled with the integrated pump for cooling liquid and an almost dust free operation is possible. With the pivoting cutter head you can process the workpieces from until to 620 mm length (until 38 mm workpieces thickness) trouble-free.

Features:

- Standard condition base (1)
- Stable handle (2)
- Aluminium Guide rails (3) with compact Aluminium stop (4)
- Sturdy disc cover of steel panel (5)
- Large water trough (6)
- Motor slide setting 4-fold on bal bearing (7)
- Motor setting from 0° - 45° continuous mitre setting (8)
- Angle stop with scale (9)
- Integrated cooling liquid pump (10)

Technical data:

- Working Table: 660 x 510 mm
- Single phase motor: 230 V ~ 50 Hz
- Power: 1100 watts
- Idle speed n_0 : 2950 min^{-1}
- Cutting depth 90°: max. 65 mm
- Cutting depth 45°: max. 38 mm
- Cutting length until 38 mm: max. 620 mm
- Cutting length over 38 mm: max. 550 mm
- Mitre cut: 0° - 45°
- Diamond disc: $\varnothing 250 \times \varnothing 25,4 \text{ mm}$
- Insulation class: IP 54
- Dimension of article: ca. 1200 x 760 x 1040 mm
- Weight: 52 kg
- Packing dimensions: 1020 x 595 x 470 mm



As special accessory available:

Diamond disc
 $\varnothing 250 \times \varnothing 25,4 \text{ mm}$

Art.-No.: **43.011.77**
Bar-Code: 4006825506723