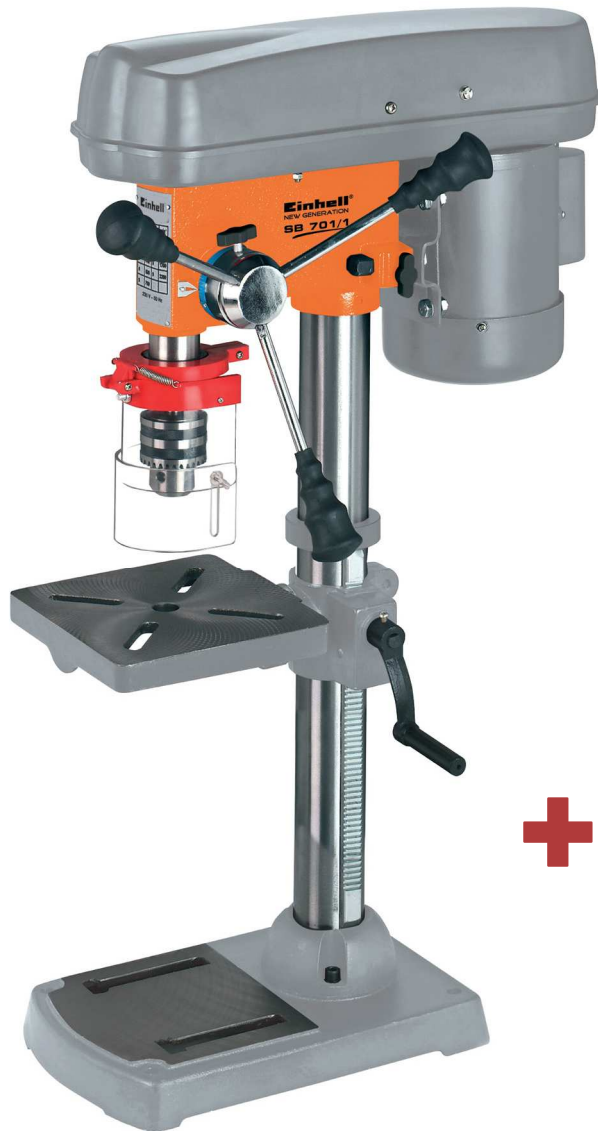
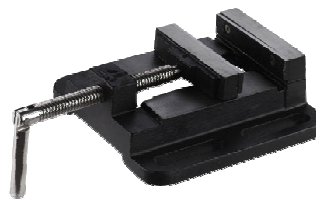


Useful drilling power in
your workshop!

Einhell®
NEW GENERATION



The SB 701/1 precision pillar drill is equipped with a V-belt drive, a continuously height-adjustable, tilting and laterally pivoting drilling table, a ball-raced drill spindle, an adjustable bottom stop, an ON/OFF switch with no-load function, a contact switch in the V-belt housing, and a folding eye shield. This model is serially supplied with a vice. **Drilling speed can be adjusted to meet the requirements of any material thanks to the 12-fold rotation speed graduation.**



Vice included



SB 701/1 Pillar Drill

Logistic Information:

Type:	SB 701/1	Sales unit:	1 pc
Art. No.:	42.505.90	20°:	418 pcs
Ident. No.:	01027	40°:	657 pcs
Bar Code:	4006825 505023	40° HC:	-- pcs
Packing:	770x430x210 mm	Weight:	38 kgs (gross)



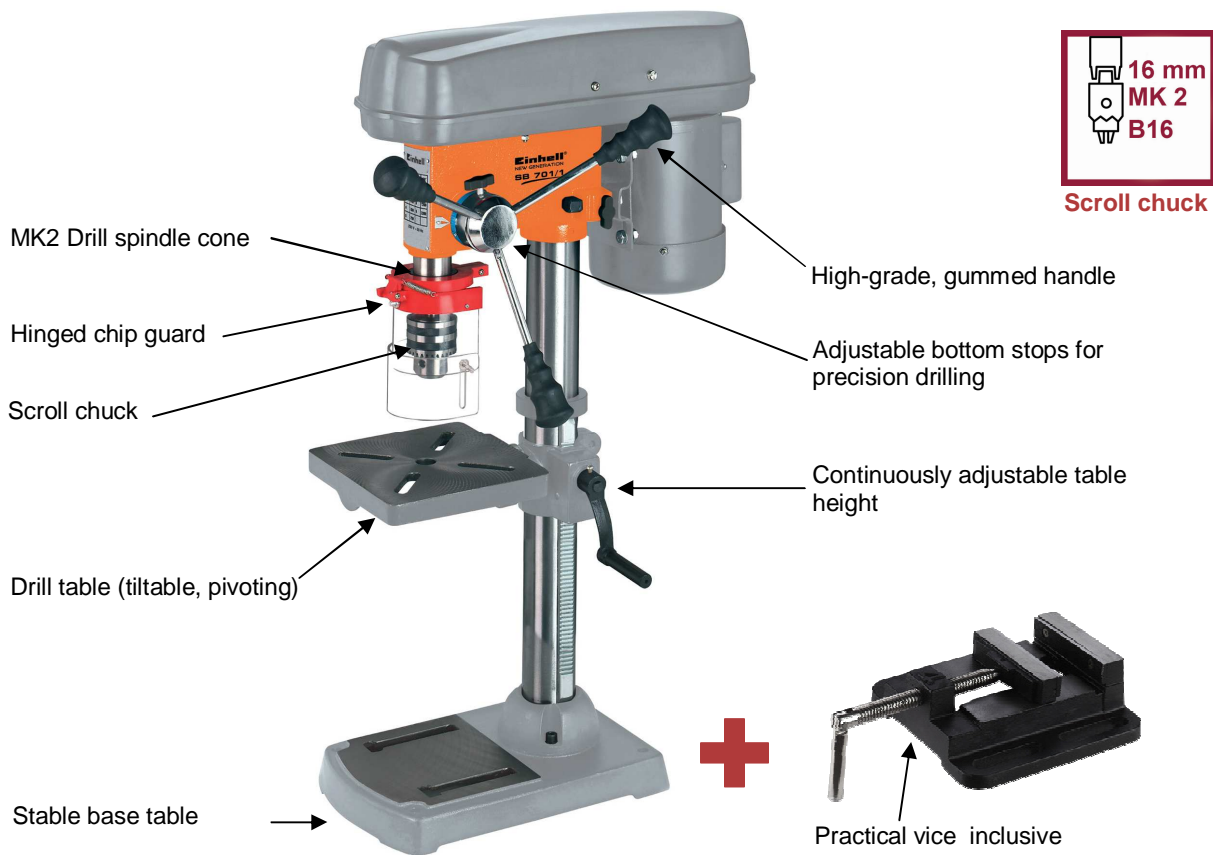
Abbildungen können nicht im Serien-Lieferumfang enthaltenes Zubehör darstellen / Illustrations may contain accessories not included in the standard scope of delivery. Abbildungen ähnlich, produktionsbedingte Abweichung vorbehalten / Illustrations will be similar (in design), production-related modifications reserved without prior notice.

File: S:\shared-pool\Product-Dokumentation\T-Produktbeschreibung\30_n0\Originale_Englisch_PA04\4250590_01027.doc
Erstelldatum/create date: 12.12.2007 15:47:00Aktualisiert/up dated: 12.12.2007

Useful drilling power in your workshop!

Einhell®

NEW GENERATION



Features:

- MK 2-collet
- Adjustable bottom stops for precision drilling
- Continuously adjustable table height
- 12-fold speed graduation 220-2,450 min⁻¹
- Practical vice included
- Ball-raced drill spindle
- Drill table (tiltable, pivoting)
- Switcher with zero voltage-releasing
- High-grade gummed handle

Technical Data:

- | | |
|------------------------|---------------------------------------|
| - Mains: | 230V ~50 Hz |
| - Power: | 630 watts (S2 15 min.) |
| - Motor speed: | 1,400 min ⁻¹ |
| - Spindle speed: | 12 step 220 – 2,450 min ⁻¹ |
| - Drill table tilt: | -45° to + 45° |
| - Scroll chuck: | Ø 3 to 16 mm |
| - Drill chuck mount: | B16 |
| - Drill spindle conus: | MK 2 |
| - Throat: | 126 mm |
| - Max. drill depth: | 60 mm |
| - Pillar diameter mm: | 60 mm |
| - Size of base table: | 350 x 230 mm |
| - Size of drill table: | 200 x 195 mm |
| - Height: | 850 mm |

Logistic Information:

Type:	SB 701/1	Tool:	Pillar Drill
Art. No.:	42.505.90	Sales unit:	1 pc
Ident. No.:	01027	20``:	418 pcs
Bar Code:	4006825 505023	40``:	657 pcs
Packing:	770x430x210 mm	40``HC:	-- pcs
		Weight:	38 kgs (gross)



Abbildungen können nicht im Serien-Lieferumfang enthaltenes Zubehör darstellen / Illustrations may contain accessories not included in the standard scope of delivery. Abbildungen ähnlich, produktionsbedingte Abweichung vorbehalten / Illustrations will be similar (in design), production-related modifications reserved without prior notice.

File: S:\shared-pool\Product-Dokumentation\T-Produktbeschreibung\30_n0\Originale_Englisch_PA04\4250590_01027.doc
 Erstelldatum/create date: 12.12.2007 15:47:00Aktualisiert/up dated: 12.12.2007