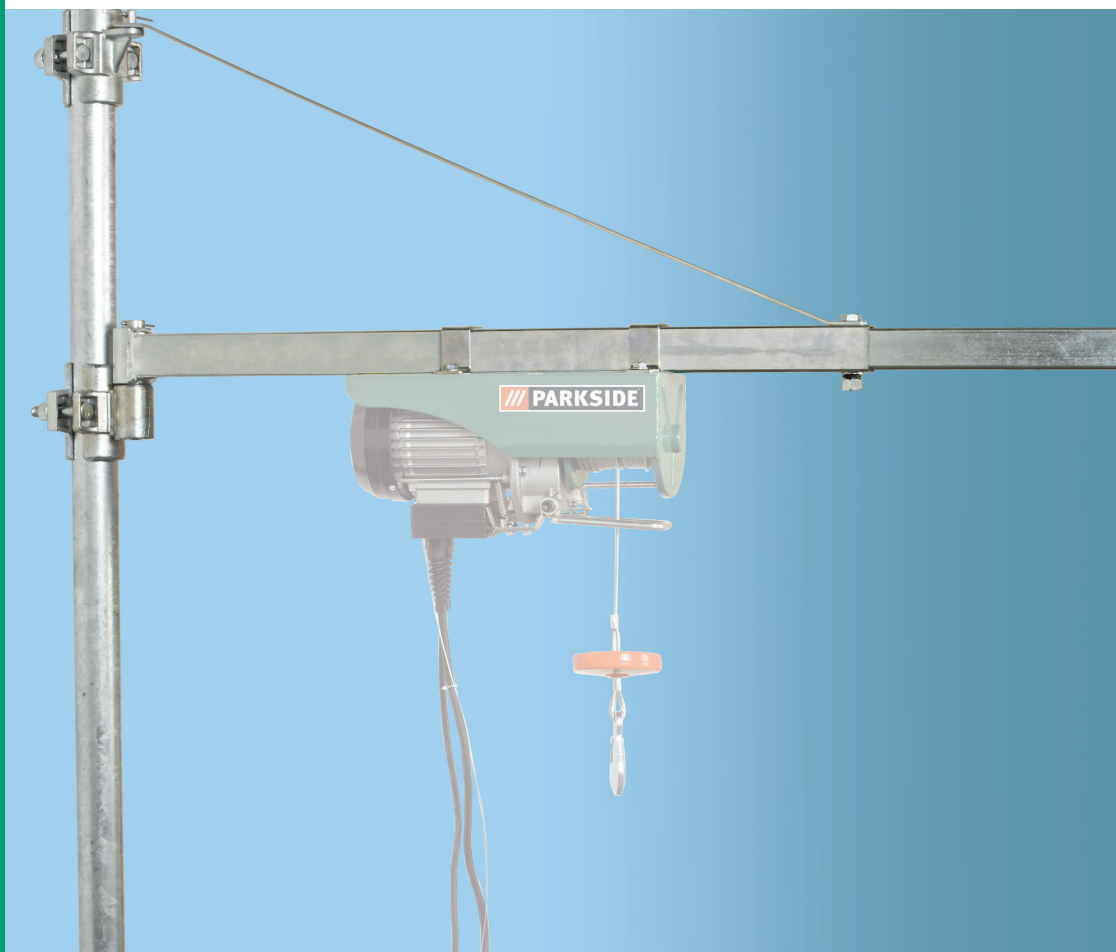


PARKSIDE

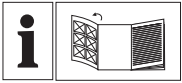
PSZ 250 A1



GB IE

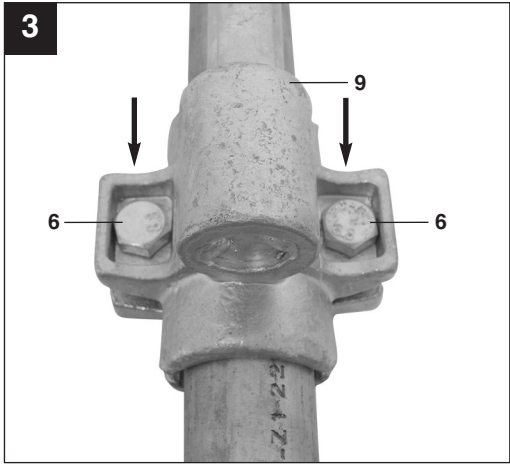
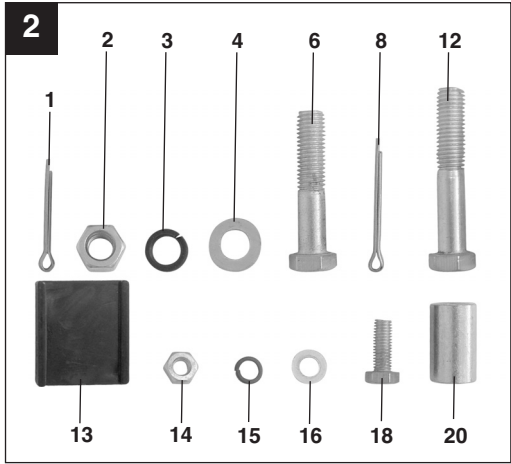
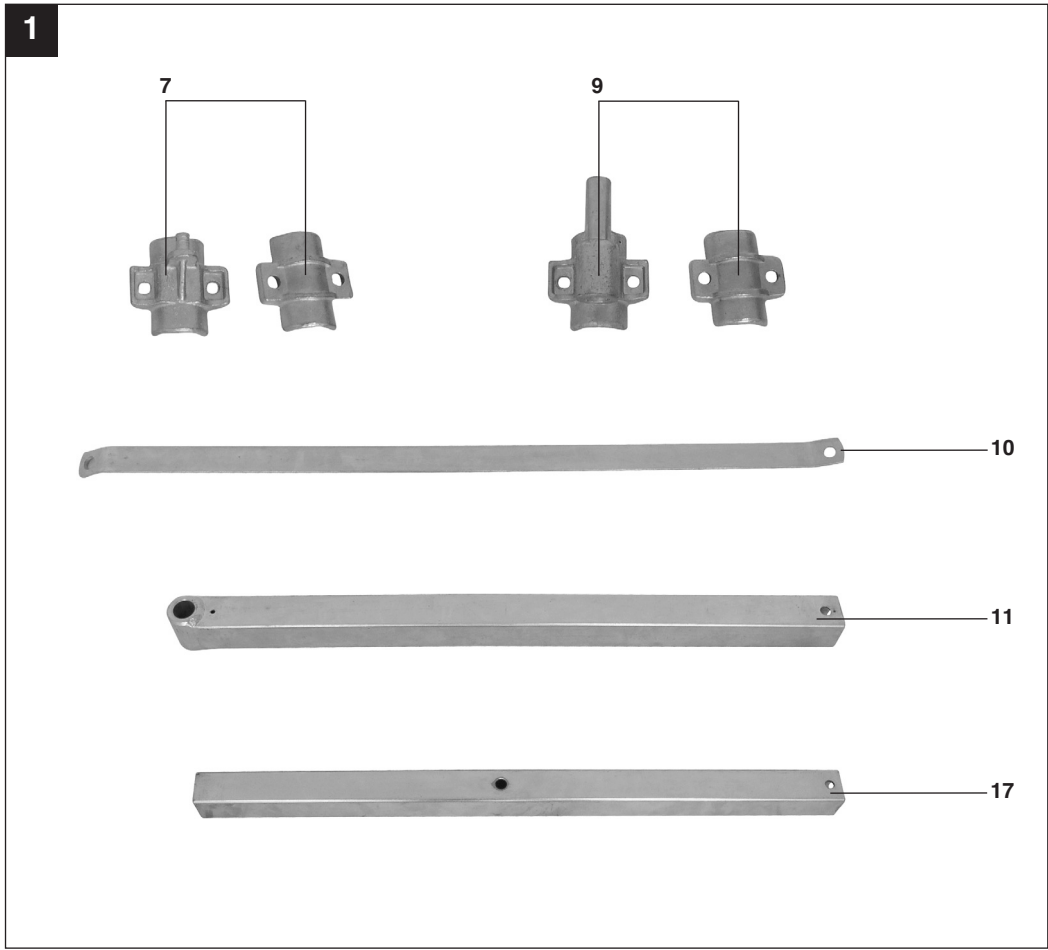
SWIVEL ARM FOR CABLE HOIST

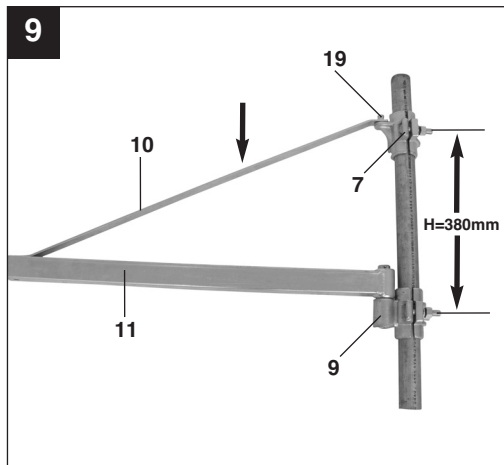
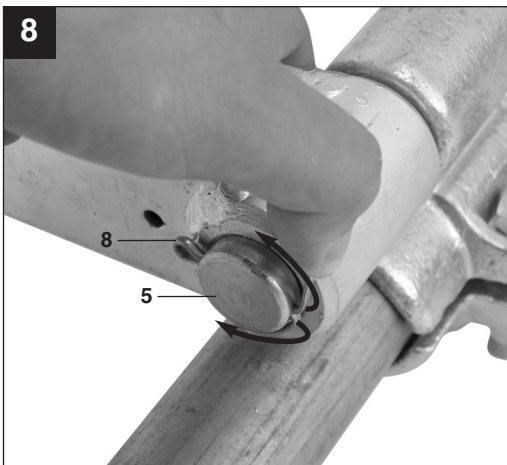
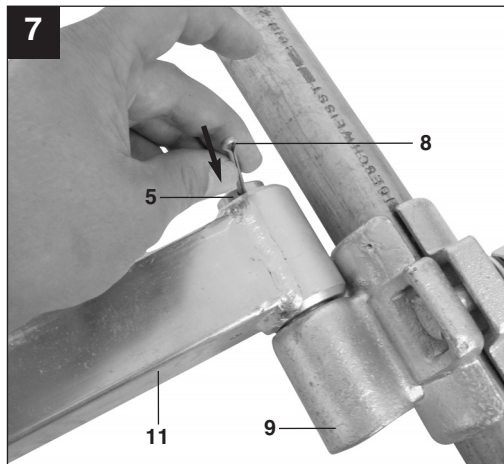
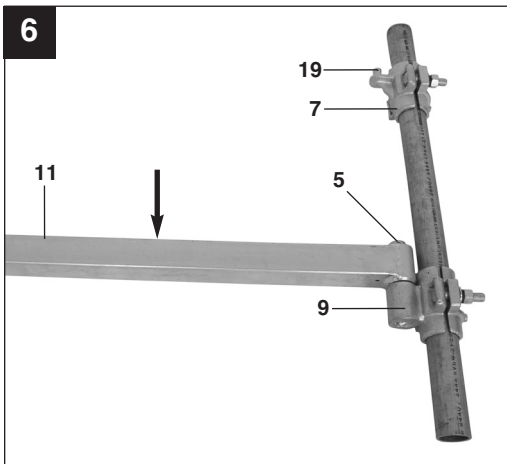
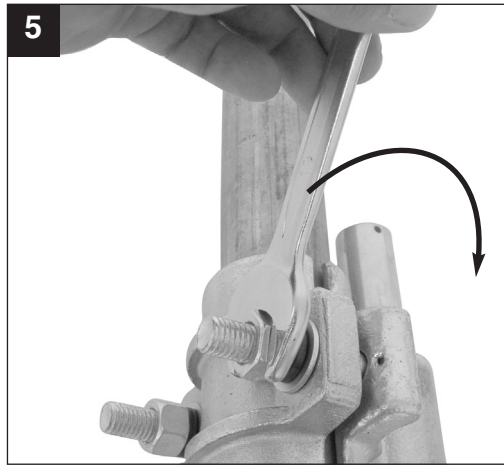
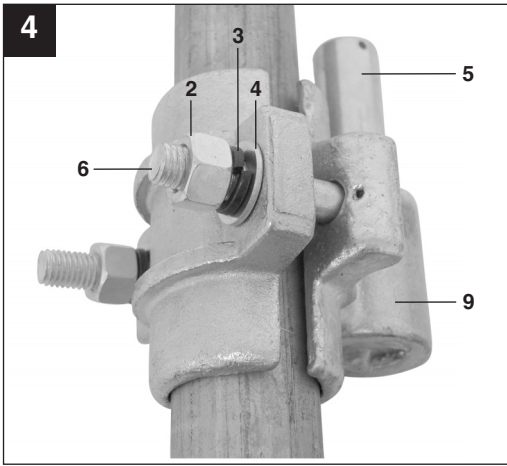
Operation and Safety Notes
Original operating instructions

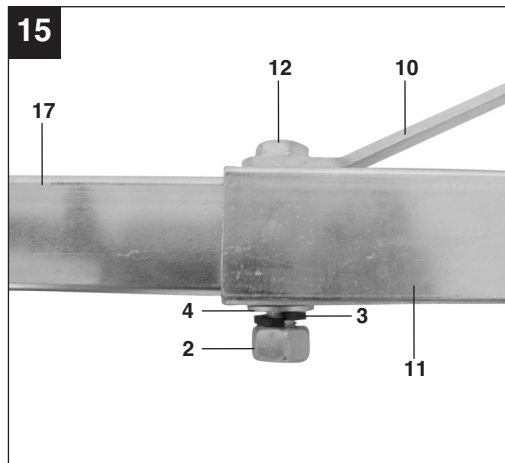
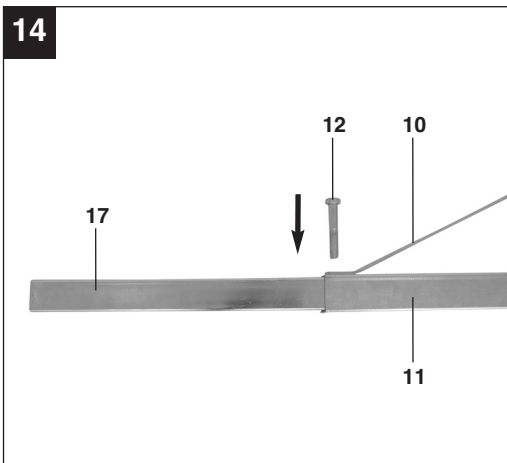
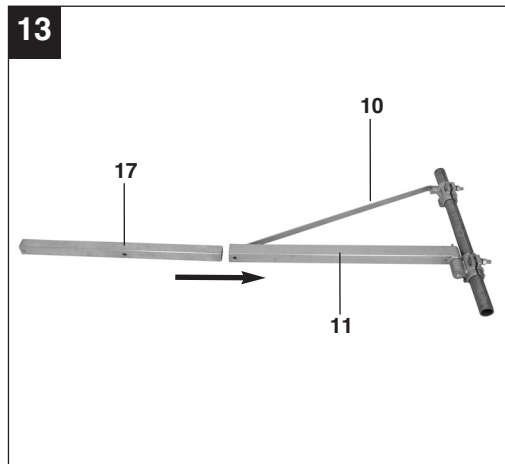
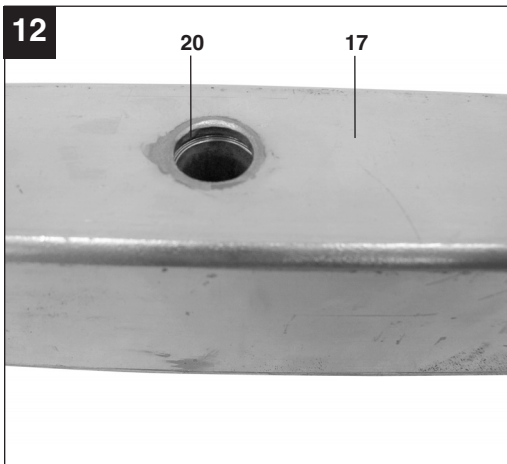
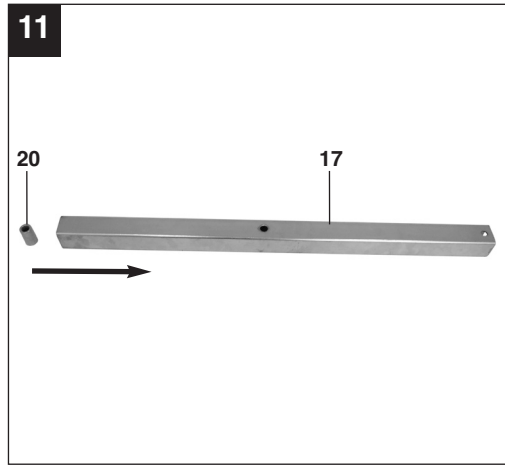
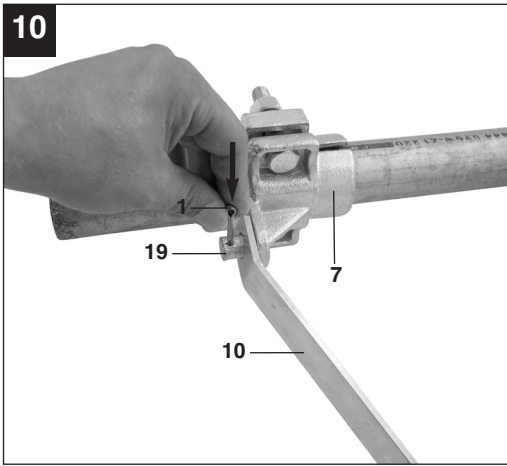


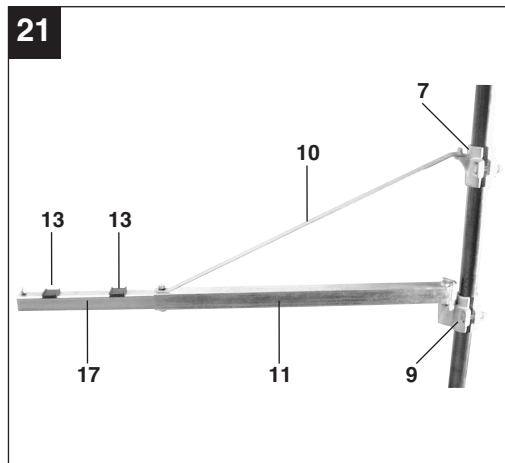
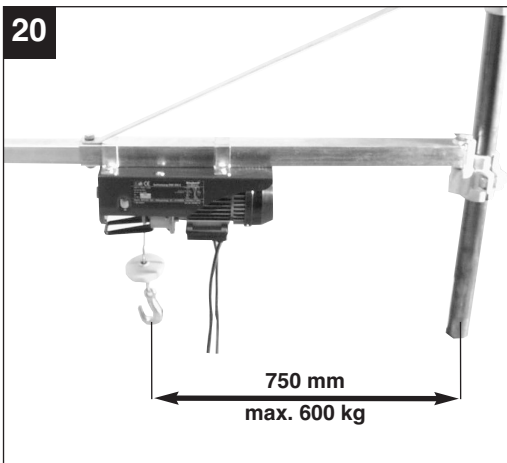
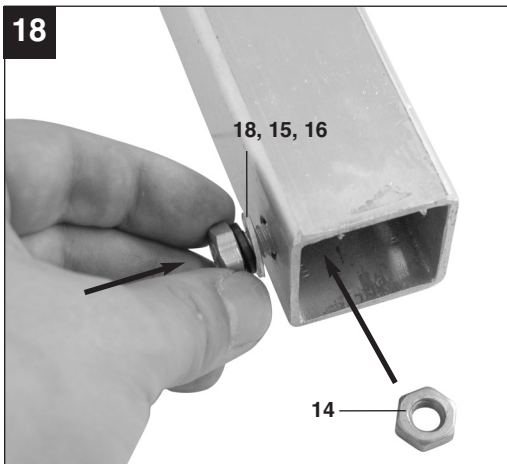
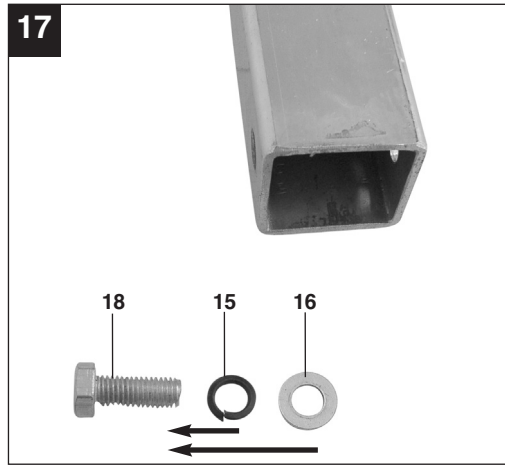
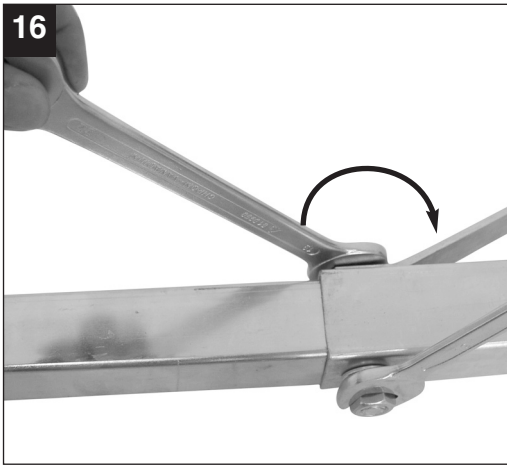
GB IE

Before reading, unfold the page containing the illustrations and familiarise yourself with all functions of the device.

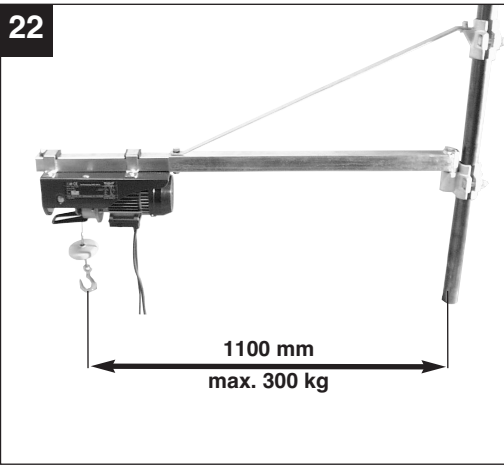








22



GB/
IE

Table of contents:

	Page
1. Introduction	9
2. Safety information	9
3. Layout and items supplied	9
4. Proper use	9
5. Technical data	10
6. Before putting the machine into operation	10
7. Mounting and assembly	10-11
8. Cleaning, maintenance and ordering of spare parts	11
9. Disposal and recycling	11
10. Guarantee Certificate	12

The reprinting or reproduction by any other means, in whole or in part, of documentation and papers accompanying products is permitted only with the express consent of ISC GmbH.

Technical changes subject to change

1. Introduction

⚠ Important!

When using equipment, a few safety precautions must be observed to avoid injuries and damage. Please read the complete operating manual with due care. Keep this manual in a safe place, so that the information is available at all times. If you give the equipment to any other person, give them these operating instructions as well.

We accept no liability for damage or accidents which arise due to non-observance of these instructions and the safety information.

2. Safety information

Ensure that you observe the following points in order to avoid accidents and injuries.

- Do not overload your swing arm.
- Do not continue to use the swing arm if it is damaged.
- Ensure that all bolts are tightly fastened and check them frequently for your own safety.
- Ensure that the cotter pin is properly inserted through the bore holes.
- Lifting and carrying persons with the cable winch is strictly prohibited! Additionally, persons may not loiter underneath the cable winch/swing arm assembly.
- Persons who are not aware of these safety precautions may not use this product.

All components must be regularly checked for any kind of deformation or damage.

Observe the maximum permissible load capacity (see „Technical Data“)!

3. Layout and items supplied (Fig. 1/2)

1. Cotter pin \varnothing 3 x 30
2. 5 x Hexagon nut M12
3. 5 x Spring washer \varnothing 12
4. 5 x Washer \varnothing 12
5. Hinge pin, large
6. 4 x Hexagon bolt M 12 x 60
7. Pipe collar for support arm
8. Cotter pin \varnothing 3 x 45
9. Pipe collar for rectangular boom
10. Support arm
11. Rectangular boom 45 x 45 x 1.8
12. Hexagon bolt M 12 x 70
13. 2 x Pads for clamping brackets
14. Hexagon nut M8
15. Spring washer \varnothing 8
16. Washer \varnothing 8
17. Extension pipe 40 x 40 x 2.5
18. Hexagon bolt M8 x 15
19. Hinge pin, small
20. Sleeve

4. Proper use

The swing arm is designed to be attached to a cable winch. For this, the swing arm must be mounted to a well fastened steel bar with a diameter of 48 mm.

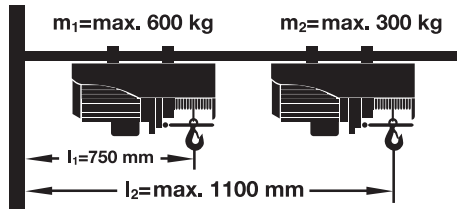
The machine is to be used only for its prescribed purpose. Any other use is deemed to be a case of misuse. The user / operator and not the manufacturer will be liable for any damage or injuries of any kind caused as a result of this.

Please note that our equipment has not been designed for use in commercial, trade or industrial applications. Our warranty will be voided if the machine is used in commercial, trade or industrial businesses or for equivalent purposes.

5. Technical data

Reach l:	Max. load:
$l_1 = 750 \text{ mm}$	$m_1 = 600 \text{ kg}$
$l_2 = 1100 \text{ mm}$	$m_2 = 300 \text{ kg}$

Swing range: max. 180°



6. Before putting the machine into operation

- The swing arm is designed to take a cable winch.
- To mount the swing arm, you need a round steel bar with a diameter of $\varnothing 48 \text{ mm}$; its wall must be a minimum of 3 mm thick. Ensure that the anchor points of the steel bar are able to adequately support the forces that will be applied to it. Consult an authorized professional to ensure that this is properly done.

7. Mounting and assembly

- Attach pipe collar (9) (with large hinge pin (5)) to the steel bar using the two hexagon bolts (6), washers (4), spring washers (3) and two hexagon nuts (2). Before you tighten the bolts, push the pipe collar (9) to the desired work height of the swing arm (Fig. 3-5).
- Apply lubricating grease to the hinge pin (5).
- Slide the rectangular boom (11) over the hinge pin (5) and push the cotter pin (8) through the hole in the hinge pin (Fig. 6-7).

- Finally, bend both shanks apart from each other so that the cotter pin (8) cannot work its way out of the bore hole. (Fig. 8)
- Now attach pipe collar (7) (with small hinge pin (19)) to the steel bar above the rectangular boom (11) in the same way as you did with pipe collar (9).
- Slide support arm (10) with the large bore hole over the hinge pin of pipe collar (7). Push the cotter pin (1) into the bore hole of the hinge pin (19) and bend both shanks of the cotter pin (1) apart from each other so that the cotter pin (1) cannot work its way out of the bore hole (Fig. 9-10).
- Adjust the height of the upper pipe collar (7) and the support arm (10) so that the distance H between both pipe collars (7/9) measures exactly 380 mm (Fig. 9).
- Now tighten the bolts of the pipe collars. Tighten the bolts (6) with 70 Nm of torque.
- Slide the sleeve (20) into the extension pipe (17) until you reach the middle hole, as shown in Figures 11 and 12. When screwing together the square-edged boom (11), extension pipe (17) and support arm (10), make sure the screw (12) is inserted into the sleeve (20).
- Push the extension pipe (17) into the rectangular boom (11) (Fig. 13).
- Connect the support arm (10) with the rectangular boom (11) and the extension pipe (17) by inserting the hexagon bolt (12) through the overlapping bore holes, placing a washer (4) and the spring washer (3) over the bolt (12) and tightening with a hexagon nut (2). (Fig. 14-16)
- A bolt (18) is inserted at the end of the extension pipe (17) to prevent the cable winch from sliding off. (Fig. 17-19).
- When the cable winch is pushed out to 750 mm, it may not lift any more than 600 kg (Fig. 20).
- When the cable winch is pushed out to 1100 mm, it may not lift any more than 300 kg (Fig. 22).
- When mounting the cable winch to the extension pipe (17), the pads (13) must be pushed in under the clamping brackets in order to ensure that the cable winch is securely held in place (Fig. 21). After all of

the assembly work is finished, a two-part no-load test must be performed by raising and lowering the winch and swinging the swing arm 180° to the left and to the right. Then the cable winch must be incrementally loaded up to the maximum permissible load weight. Only when the cable winch/swing arm assembly successfully passes these tests may the equipment be used for normal operation.

8. Cleaning, maintenance and ordering of spare parts

8.1 Cleaning and maintenance

Regularly clean the swing arm and lubricate the hinge pins (5/19).

8.2 Ordering replacement parts:

Please quote the following data when ordering replacement parts:

- Type of machine
- Article number of the machine
- Identification number of the machine

For our latest prices and information please go to www.isc-gmbh.info

9. Disposal and recycling

The unit is supplied in packaging to prevent its being damaged in transit. This packaging is raw material and can therefore be reused or can be returned to the raw material system. The unit and its accessories are made of various types of material, such as metal and plastic. Defective components must be disposed of as special waste. Ask your dealer or your local council.

10. GUARANTEE CERTIFICATE

Dear Customer,

All of our products undergo strict quality checks to ensure that they reach you in perfect condition. In the unlikely event that your device develops a fault, please contact our service department at the address shown on this guarantee card. Of course, if you would prefer to call us then we are also happy to offer our assistance under the service number printed below. Please note the following terms under which guarantee claims can be made:

1. These guarantee terms cover additional guarantee rights and do not affect your statutory warranty rights. We do not charge you for this guarantee.
2. Our guarantee only covers problems caused by material or manufacturing defects, and it is restricted to the rectification of these defects or replacement of the device. Please note that our devices have not been designed for use in commercial, trade or industrial applications. Consequently, the guarantee is invalidated if the equipment is used in commercial, trade or industrial applications or for other equivalent activities. The following are also excluded from our guarantee: compensation for transport damage, damage caused by failure to comply with the installation/assembly instructions or damage caused by unprofessional installation, failure to comply with the operating instructions (e.g. connection to the wrong mains voltage or current type), misuse or inappropriate use (such as overloading of the device or use of non-approved tools or accessories), failure to comply with the maintenance and safety regulations, ingress of foreign bodies into the device (e.g. sand, stones or dust), effects of force or external influences (e.g. damage caused by the device being dropped) and normal wear resulting from proper operation of the device. This applies in particular to rechargeable batteries for which we nevertheless issue a guarantee period of 12 months.

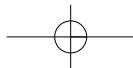
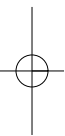
The guarantee is rendered null and void if any attempt is made to tamper with the device.

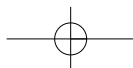
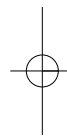
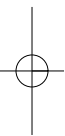
3. The guarantee is valid for a period of 3 years starting from the purchase date of the device. Guarantee claims should be submitted before the end of the guarantee period within two weeks of the defect being noticed. No guarantee claims will be accepted after the end of the guarantee period. The original guarantee period remains applicable to the device even if repairs are carried out or parts are replaced. In such cases, the work performed or parts fitted will not result in an extension of the guarantee period, and no new guarantee will become active for the work performed or parts fitted. This also applies when an on-site service is used.
4. In order to assert your guarantee claim, please send your defective device postage-free to the address shown below. Please enclose either the original or a copy of your sales receipt or another dated proof of purchase. Please keep your sales receipt in a safe place, as it is your proof of purchase. It would help us if you could describe the nature of the problem in as much detail as possible. If the defect is covered by our guarantee then your device will either be repaired immediately and returned to you, or we will send you a new device.

Of course, we are also happy offer a chargeable repair service for any defects which are not covered by the scope of this guarantee or for units which are no longer covered. To take advantage of this service, please send the device to our service address.

Einhell UK Ltd
Morpeth Wharf
Twelve Quays
Birkenhead, Wirral
CH41 1LF

Tel. 0151 6491500, Fax 0151 6491501





IAN: 54354 PSZ 250 A1
Einhell Germany AG
Wiesenweg 22
D-94405 Landau/Isar

Last Information Update: 06/2010
Ident.-No.: 22.554.14 062010 - 6

