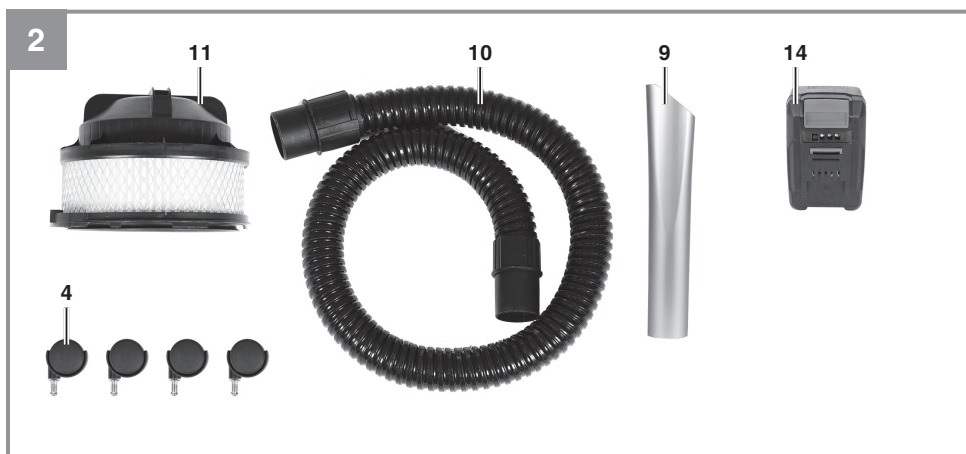
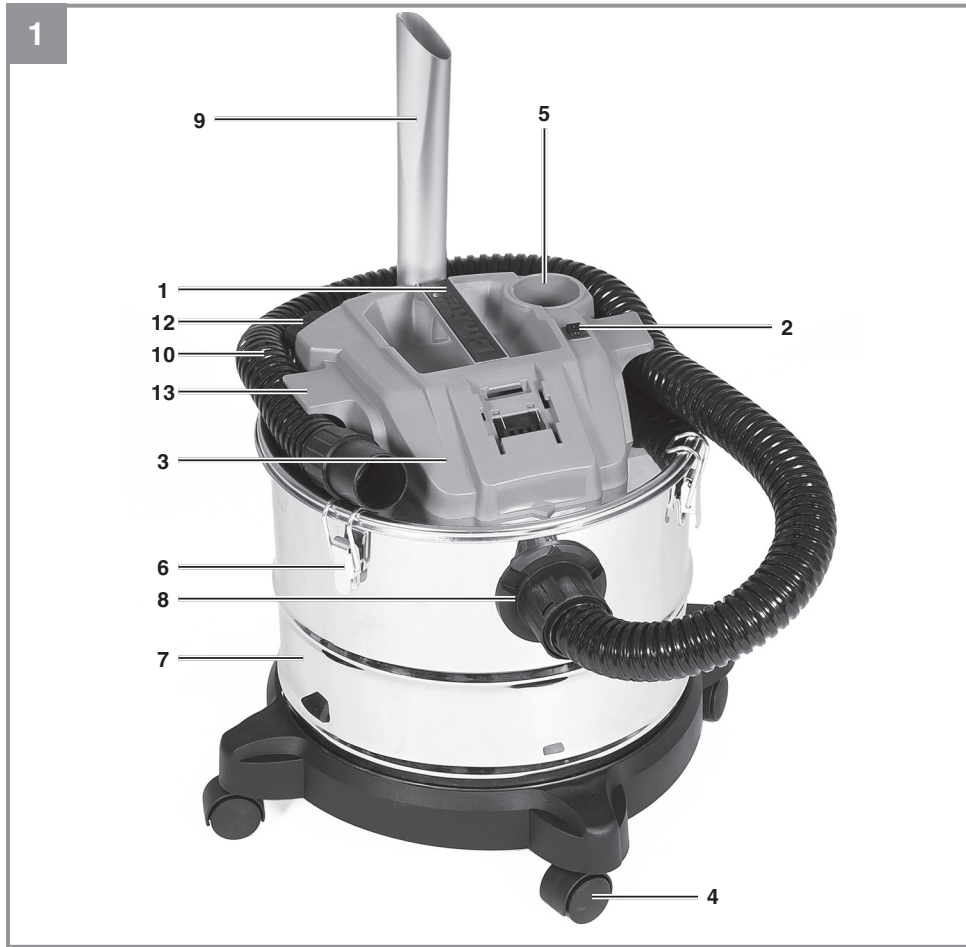


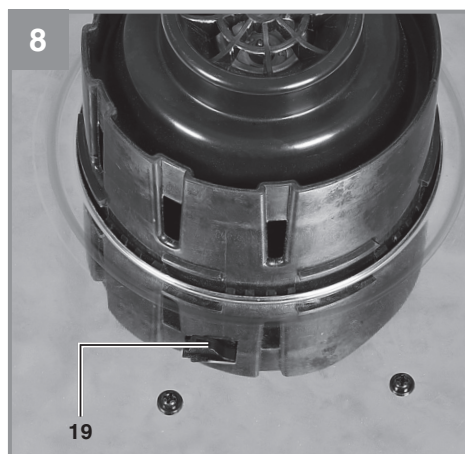
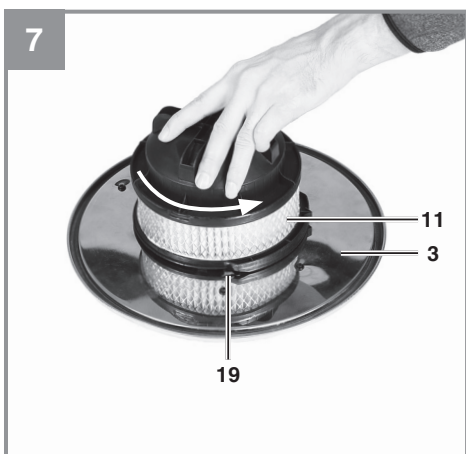
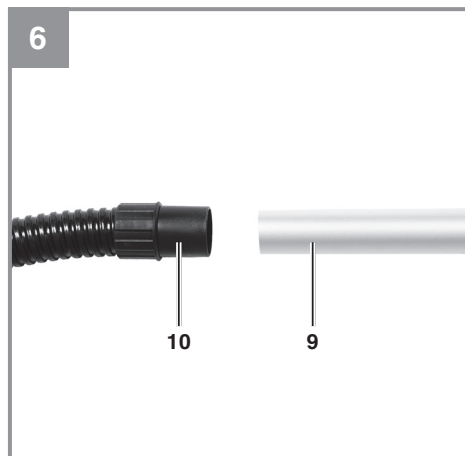
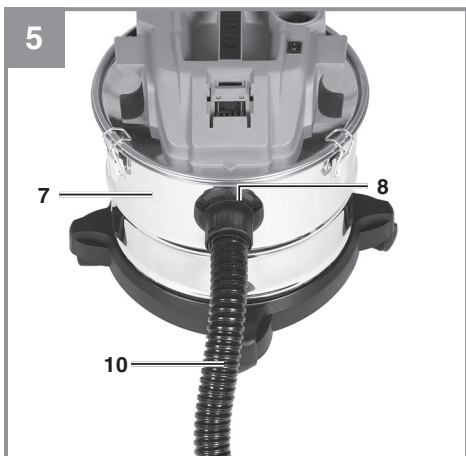
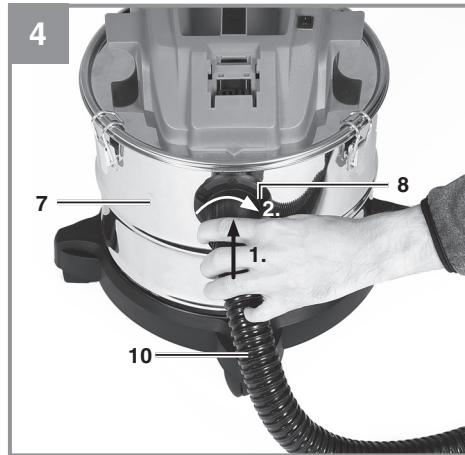
- EN** Operating instructions  
Cordless ash vacuum
- FR** Mode d'emploi  
Aspirateur à cendres sans fil
- SP** Manual de instrucciones  
Aspirador de cenizas inalámbrico

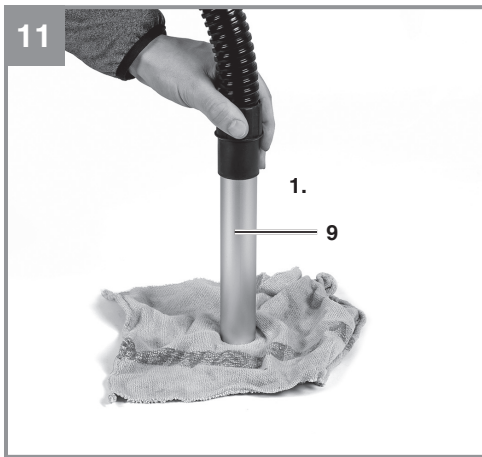
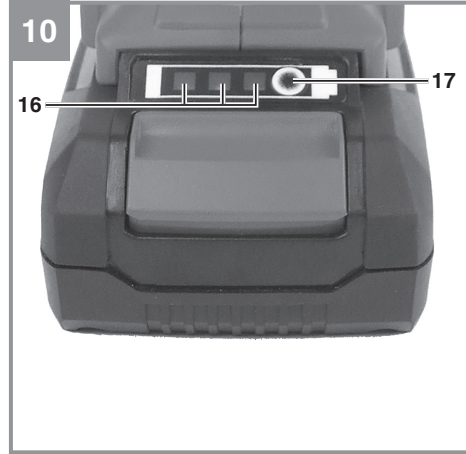
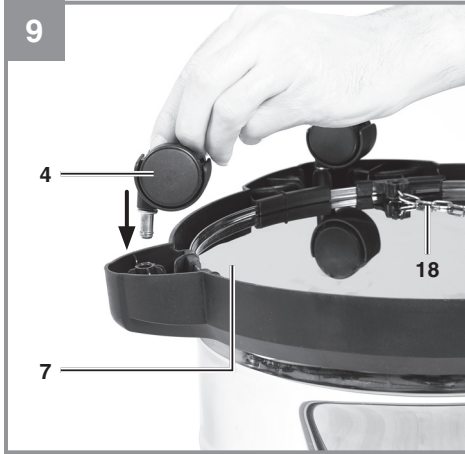


**Art.-Nr.: 2361701**

**I.-Nr.: 21013**









**Danger!** - Read the operating instructions to reduce the risk of injury.



Cleaning the filter



**Danger!** Wait at least 24 hours before vacuuming an oven or a fireplace in order to be sure that the fire has gone out and the ash has cooled down. Only for cold ash, see the operating instructions!



Store the batteries only in dry rooms with an ambient temperature of 50°F to 104°F (+10°C to +40°C). Place only fully charged batteries in storage (charged at least 40%).

**DANGER!**

When using the equipment, a number of safety precautions must be observed to avoid injuries and damage. Please read the complete operating instructions and safety information with due care. Keep these operating instructions in a safe place so that the information is available at all times. If you give the equipment to any other person, hand over these operating instructions and the safety information as well. We cannot accept any liability for damage or accidents which arise due to failure to follow these instructions and the safety information.

**1. Safety information****IMPORTANT SAFETY INSTRUCTIONS**

When using an electrical appliance, basic precautions should always be followed, including the following:

**READ ALL INSTRUCTIONS BEFORE USING THIS APPLIANCE, Failure to follow the warnings and instructions may result in electric shock, fire and/or serious injury.**

**WARNING**—To reduce the risk of fire, electric shock, or injury:

1. Do not use outdoors or on wet surfaces.
2. Do not allow to be used as a toy. Close attention is necessary when used by or near children, pets, or plants.
3. Use only as described in this manual. Use only manufacturer's recommended attachments.
4. Do not use with damaged cord or plug. If appliance is not working as it should, has been dropped, damaged, left outdoors, or dropped into water, return it to a service center.
5. Do not pull or carry by cord, use cord as a handle, close a door on cord, or pull cord around sharp edges or corners. Do not run appliance over cord. Keep cord away from heated surfaces.
6. Do not unplug by pulling on cord. To unplug, grasp the plug, not the cord.
7. Do not handle charger, including charger plug, and charger terminals with wet hands.
8. Do not put any object into openings. Do not use with any opening blocked; keep free of dust, lint, hair, and anything that may reduce air flow.
9. Keep hair, loose clothing, fingers, and all parts of body away from openings and

- moving parts.
10. Use extra care when cleaning on stairs.
11. Do not use to pick up flammable or combustible liquids, such as gasoline, or use in areas where they may be present.
12. Do not pick up anything that is burning or smoking, such as cigarettes, matches, or hot ashes.
13. Do not use without filter.
14. Prevent unintentional starting. Ensure the switch is in the off position before connecting battery, picking up or carrying the appliance. Carrying the appliance with your finger on the switch or energizing appliance that has the switch on invites accidents.
15. Disconnect the battery from the appliance before making any adjustments, changing accessories, or storing appliance. Such preventive safety measures reduce the risk of starting the appliance accidentally.
16. Recharge only with the charger specified by the manufacturer. A charger that is suitable for one type of battery may create a risk of fire when used with another battery.
17. Use appliances only with specifically designated battery. Use of any other battery may create a risk of injury and fire.
18. When battery is not in use, keep it away from other metal objects, like paper clips, coins, keys, nails, screws, or other small metal objects, that can make a connection from one terminal to another. Shorting the battery terminals together may cause burns or a fire.
19. Under abusive conditions, liquid may be ejected from the battery; avoid contact. If contact accidentally occurs, flush with water. If liquid contacts eyes, additionally seek medical help. Liquid ejected from the battery may cause irritation or burns.
20. Do not use a battery or appliance that is damaged or modified. Damaged or modified batteries may exhibit unpredictable behavior resulting in fire, explosion, or risk of injury.
21. Do not expose a battery pack or appliance to fire or excessive temperature. Exposure to fire or temperature above 266°F (130°C) may cause explosion.
22. Follow all charging instructions and do not charge the battery pack or appliance outside of the temperature range specified in the instructions. Charging improperly or at temperatures outside of the specified range may damage the battery and increase the risk of fire.

23. Have servicing performed by a qualified repair person using only identical replacement parts. This will ensure that the safety of the product is maintained.
24. Do not modify or attempt to repair the appliance or the battery pack except as indicated in the instructions for use and care.

The appliance should be stored, used and charged at a temperature range 40°F~104°F (4°C~40°C).

### SAVE THESE INSTRUCTIONS

Household use only.

## 2. Layout and items supplied

### 2.1 Layout

1. Handle
2. On/Off switch
3. Appliance head
4. Castors
5. Blow connector
6. Locking hook
7. Tank
8. Suction hose connector
9. Suction tube
10. Flexible suction hose
11. Cartridge filter for fine ash dust
12. Filter cleaning button
13. Suction hose holder
14. Battery (not supplied)
15. Pushlock button
16. Battery capacity indicator
17. Battery capacity indicator button
18. Chain
19. Switch

### 2.2 Items supplied

Please check that the article is complete as specified in the scope of delivery. If parts are missing, please contact our service center or the store where you made your purchase at the latest within 5 work days after purchasing the article and upon presentation of a valid bill of purchase.

- Open the packaging and take out the equipment with care.
- Remove the packaging material and any packaging and/or transportation braces (if present).
- Check to see if all the items are supplied.
- Inspect the equipment and accessories for transport damage.

- If possible, keep the packaging until the end of the guarantee period.

### Danger!

**The equipment and packaging material are not toys. Do not let children play with plastic bags, plastic sheets and small parts. There is a risk of choking and suffocating!**

- Suction tube
- Suction hose
- Cartridge filter
- 4 castors
- Original operating instruction with safety information

### Separately available accessories

18V 1.5Ah PXC Lithium-Ion battery  
 18V 2.0Ah PXC Lithium-Ion battery  
 18V 2.5Ah PXC Lithium-Ion battery  
 18V 3.0Ah PXC Lithium-Ion battery  
 18V 4.0Ah PXC Lithium-Ion battery  
 18V 3.0Ah PXC Plus Lithium-Ion battery  
 18V 4.0Ah PXC Plus Lithium-Ion battery  
 18V 5.2Ah PXC Plus Lithium-Ion battery  
 18V 4.0Ah/6.0Ah PXC Plus Lithium-Ion battery  
 18V 5.0Ah/8.0Ah PXC Plus Lithium-Ion battery  
 18V PXC Dual Port Fast Charger  
 18V PXC Fast Charger

Contact your local retailer for more specific models of batteries and charger available in your area. You can also explore battery + charger options at [Einhell.com](http://Einhell.com).

## 3. Intended use

The cordless ash vacuum is suitable for vacuuming cold dry ash or cold dry material from fireplaces, charcoal ovens, ash trays or barbecues.


The equipment is allowed to be used only for its prescribed purpose. Any other use is deemed to be a case of misuse. The user/operator and not the manufacturer will be liable for any damage or injuries of any kind resulting from such misuse.

Please note that our equipment has not been designed for use in commercial, trade or industrial applications. Our warranty will be voided if the equipment is used in commercial, trade or



industrial businesses or for equivalent purposes.

## 4. Technical data

Motor power supply: ..... 18V   
 Tank capacity: ..... 4 Gallons  
 Weight (Tool only): ..... 6.6 lbs

### Battery and charger

Please only use batteries and chargers from the Power-X-Change series, e.g. 1.5 Ah and 6 Ah batteries and charger model Power-X-Charger 3A.

## 5. Before starting the equipment

Before you connect the battery to the equipment make sure that the data on the rating plate are identical to those of the battery.

### Warning!

**Always pull out the battery before making any adjustments to the equipment.**

### 5.1 Assembling the appliance

#### Fitting the appliance head (Fig. 3-6)

The appliance head (3) is fastened to the tank (7) by the locking hooks (6). To remove the appliance head (3), open the 3 locking hooks (6) and remove the appliance head (3). When fitting the appliance head (3), make sure that the 3 locking hooks (6) lock into place correctly. Insert the vacuum tube (9) into the end of the suction hose (10).

Fit the suction hose (10) onto the connection (8) and turn until securely attached.

### 5.2 Fitting the cartridge filter

#### Notice!

Never use the ash vacuum without the cartridge filter. Always make sure that the cartridge filter is securely seated.

#### Removing/fitting the cartridge filter (Fig. 7)

Turn the cartridge filter for fine dust (11) to the left and remove it from the equipment head (3). Assemble in reverse order. Check that the cartridge filter is securely seated at all times!

#### Important!

If the cartridge filter (11) is not fitted to the equipment head (3), it will be impossible to switch on the ash vacuum. The equipment is fitted with a switch (Fig. 8/Item 19) which must be activated to

permit operation.

### 5.3 Fitting the castors (Fig. 9)

Fit the castors (4) as shown in Fig. 9.

## 6. Operation

### 6.1 On/Off switch (Fig. 1/2)

Press the On/Off switch (2) to switch the equipment On and Off.

### 6.2 Blowing feature (Fig. 1/2)

To use the blowing feature, connect the suction hose (10) to the blow connector (5) of the ash vacuum.

### 6.3 Filter cleaning system (Fig. 11)

The equipment has a filter cleaning system which enables the cartridge filter to be cleaned when there is a drop in suction performance.

**Important!** The filter cleaning system works only when the equipment is in operation. When the suction performance drops, proceed as follows:

1. Close the end of the hose so that no air can be drawn in any longer.
2. Press and hold the filter cleaning button (12) for approx. 4 seconds.
3. Repeat step 2 five times.

### 6.4 Cleaning the appliance head (Fig. 1/Item 3)

Clean the appliance head regularly with a damp cloth and some soft soap. Do not use cleaning agents or solvents; these may be aggressive to the plastic parts in the appliance.

### 6.5 Cleaning the container (Fig. 1/Item 7)

The container can be cleaned with a damp cloth and some soft soap or under running water, depending on the amount of dirt.

### 6.6 Cleaning the cartridge filter (Fig. 7)

Clean the cartridge filter (11) e.g. by tapping and brushing or by blowing out with compressed air at low pressure.

### 6.7 Charging the Lithium-Ion battery (not included)

The corresponding instructions can be found in the original operating instructions for your charger.



### 6.8 Battery capacity indicator (Fig. 10 / item 16)

Press the battery capacity indicator switch (17). The battery capacity indicator (16) shows the charge status of the battery using 3 LEDs.

#### All 3 LEDs lit:

The battery is fully charged.

#### 2 or 1 LED(s) lit:

The battery has an adequate remaining charge.

#### 1 LED flashing:

The battery is empty, recharge the battery.

#### All LEDs flashing:

The temperature of the battery is too low. Remove the battery from the device and leave it at room temperature for a day. If the error occurs again, this means that the battery has been completely depthdischarged and is defective. Remove the battery from the device. Never use or charge a defective battery.

## 7. Cleaning and maintenance

### HAZARD!

Always take the battery out of the equipment before starting any cleaning work.

#### 7.1 Cleaning

- Keep all safety devices, air vents and the motor housing free of dirt and dust as far as possible. Wipe the equipment with a clean cloth or blow it down with compressed air at low pressure.
- We recommend cleaning the equipment immediately each time after use.
- Clean the equipment regularly with a damp cloth and some soft soap. Do not use cleaning agents or solvents; these may be aggressive to the plastic parts in the equipment. Ensure that no water can get into the interior of the equipment. The ingress of water into an electric power tool increases the risk of an electric shock.

#### 7.2 Maintenance

There are no other parts inside the equipment which require maintenance.

## 8. Disposal and recycling

The equipment is supplied in packaging to prevent it from being damaged in transit. The raw materials in this packaging can be reused or recycled. The equipment and its accessories are made of various types of material, such as metal and plastic. Never place defective equipment in your household refuse. The equipment should be taken to a suitable collection center for proper disposal. If you do not know the whereabouts of such a collection point, you should ask in your local council offices.

## 9. Storage

Store the equipment and its accessories out of children's reach in a dark and dry place at above freezing temperature. The ideal storage temperature is between 41°F and 86°F (5°C and 30°C). Keep the electric tool in its original packaging.

The reprinting or reproduction by any other means, in whole or in part, of documentation and papers accompanying the products is strictly subject to the express consent of Einhell Germany AG.

Subject to technical changes.



**Danger!** - Lire le mode d'emploi pour diminuer le risque de blessures.



Nettoyage du filtre



**Danger!** Attendez au moins 24 heures avant de passer l'aspirateur dans un four ou un foyer afin d'être sûr que le feu s'est éteint et la cendre s'est refroidie. Uniquement pour les cendres froides, voir le mode d'emploi !



Conservez les batteries uniquement dans des locaux secs et à une température ambiante de 50-104 °F (+10-+40 °C). Conservez les batteries uniquement en état chargé (au moins 40 % de charge).

**Danger !**

Certaines mesures de sécurité doivent être respectées pendant l'utilisation des appareils pour empêcher les blessures et les dommages. Par conséquent, lisez attentivement le présent mode d'emploi / les consignes de sécurité. Conservez-les bien pour avoir les informations toujours à la portée de la main. Si vous devez passer l'appareil à d'autres personnes, veuillez leur remettre également le présent mode d'emploi / les consignes de sécurité. Nous ne sommes pas tenus des accidents ou dommages survenus à cause de non-respect du présent mode d'emploi et des consignes de sécurité.

**1. Information de sécurité****CONSIGNES DE SÉCURITÉ IMPORTANTES**

Lors de l'utilisation d'un appareil électrique, des précautions de base doivent toujours être suivies, notamment les suivantes :

**LISEZ TOUTES LES INSTRUCTIONS AVANT D'UTILISER CET APPAREIL, Le non-respect des avertissements et des instructions peut entraîner un choc électrique, un incendie et/ou des blessures graves.**

**AVERTISSEMENT**– Pour réduire le risque d'incendie, d'électrocution ou de blessure:

1. Ne pas utiliser à l'extérieur ou sur des surfaces humides.
2. Ne pas utiliser comme un jouet. Une attention particulière est nécessaire lorsqu'il est utilisé par ou à proximité d'enfants, d'animaux domestiques ou de plantes.
3. Utilisez uniquement comme décrit dans ce manuel. Utilisez uniquement les accessoires recommandés par le fabricant.
4. Ne pas utiliser avec un cordon ou une prise endommagée. Si l'appareil ne fonctionne pas comme il le devrait, a été échappé, endommagé, laissé à l'extérieur ou tombé dans l'eau, retournez-le à un centre de service.
5. Ne tirez pas ou ne transportez pas par le cordon, utilisez le cordon comme poignée, fermez une porte sur le cordon ou tirez le cordon autour des bords ou des coins tranchants. Ne faites pas passer l'appareil sur le cordon. Garder le cordon éloigné des surfaces chauffées.
6. Ne débranchez pas en tirant sur le cordon. Pour débrancher, tirer sur la prise, pas le cordon.
7. Ne manipulez pas le chargeur, y compris la fiche du chargeur et les bornes du chargeur avec les mains mouillées.
8. Ne placez aucun objet dans les ouvertures. Ne pas utiliser avec une ouverture bloquée ; garder à l'abri de la poussière, des peluches, des cheveux et de tout ce qui pourrait réduire le débit d'air.
9. Gardez les cheveux, les vêtements amples, les doigts et toutes les parties du corps éloignés des ouvertures et des pièces mobiles.
10. Faites très attention lorsque vous nettoyez dans les escaliers.
11. Ne pas utiliser pour aspirer des liquides inflammables ou combustibles, tels que de l'essence, ou dans des zones où ils peuvent être présents.
12. Ne ramassez rien qui brûle ou qui fume, comme des cigarettes, des allumettes ou des cendres chaudes.
13. Ne pas utiliser sans filtre.
14. Empêchez tout démarrage involontaire. Assurez-vous que l'interrupteur est en position d'arrêt avant de brancher la batterie, de ramasser ou de transporter l'appareil. Le transport de l'appareil avec votre doigt sur l'interrupteur ou l'alimentation de l'appareil avec l'interrupteur activé peut provoquer des accidents.
15. Débranchez la batterie de l'appareil avant d'effectuer tout réglage, de changer d'accessoire ou de ranger l'appareil. Ces mesures de sécurité préventives réduisent le risque de démarrage accidentel de l'appareil.
16. Rechargez uniquement avec le chargeur spécifié par le fabricant. Un chargeur adapté à un type de batterie peut créer un risque d'incendie lorsqu'il est utilisé avec une autre batterie.
17. N'utilisez les appareils avec une batterie spécifiquement désignée. L'utilisation de toute autre batterie peut créer un risque de blessure et d'incendie.
18. Lorsque la batterie n'est pas utilisée, tenez-la éloignée d'autres objets métalliques, tels que des trombones, des pièces de monnaie, des clés, des clous, des vis ou d'autres petits objets métalliques, qui peuvent établir une connexion d'une borne à une autre. Un court-circuit entre les bornes de la batterie peut provoquer des brûlures ou un incendie.
19. Dans des conditions abusives, du liquide peut être éjecté de la batterie ; éviter les contacts. En cas de contact accidentel, rincer à l'eau. Si le liquide entre en contact avec les yeux, consultez également un médecin. Le liquide éjecté de la batterie peut provoquer

- des irritations ou des brûlures.
20. N'utilisez pas une batterie ou un appareil endommagé ou modifié. Les batteries endommagées ou modifiées peuvent présenter un comportement imprévisible entraînant un incendie, une explosion ou un risque de blessure.
  21. N'exposez pas une batterie ou un appareil au feu ou à une température excessive. L'exposition au feu ou à une température supérieure à 266°F (130°C) peut provoquer une explosion.
  22. Suivez toutes les instructions de charge et ne chargez pas la batterie ou l'appareil en dehors de la gamme de température spécifiée dans les instructions. Une charge incorrecte ou à des températures en dehors de la gamme spécifiée peut endommager la batterie et augmenter le risque d'incendie.
  23. Faites effectuer l'entretien par un technicien qualifié utilisant uniquement des pièces de rechange identiques. Cela garantira que la sécurité du produit est maintenue.
  24. Ne modifiez pas ou n'essayez pas de réparer l'appareil ou la batterie sauf comme indiqué dans les instructions d'utilisation et d'entretien.

L'appareil doit être stocké, utilisé et rechargé à une température comprise entre 40°F~104°F (4°C~40°C).

#### CONSERVEZ CES INSTRUCTIONS

Usage domestique seulement.

## 2. Description de l'appareil et contenu de l'emballage

### 2.1 Description de l'appareil

1. Poignée
2. Interrupteur marche/arrêt
3. Tête de l'appareil
4. Roulettes
5. Raccord de soufflage
6. Crochet de verrouillage
7. Cuve
8. Raccord boyau d'aspiration
9. Tube d'aspiration
10. Boyau d'aspiration flexible
11. Filtre à cartouche pour poussière fine de cendres
12. Bouton de nettoyage du filtre
13. Support boyau d'aspiration
14. Batterie (non fourni)

15. Touche d'enclenchement
16. Témoin de charge de la batterie
17. Bouton de témoin de charge de la batterie
18. Chaîne
19. Interrupteur

### 2.2 Contenu d'emballage

Veillez contrôler l'intégralité de l'article au moyen du contenu d'emballage décrit. En cas de pièces manquantes, veuillez contacter notre centre de service à la clientèle ou le point de vente où vous avez acheté l'appareil au plus tard dans les 5 jours ouvrables à compter de l'achat de l'article en présentant un ticket de caisse valable.

- Ouvrez l'emballage et retirez prudemment l'appareil.
- Enlevez le matériau d'emballage ainsi que les sécurités d'emballage et de transport (le cas échéant).
- Vérifiez l'intégralité du contenu d'emballage.
- Vérifiez si l'appareil et les accessoires présentent des dommages dus au transport.
- Si possible, conservez l'emballage jusqu'à l'expiration de la durée de garantie.

#### Danger !

**L'appareil et le matériau d'emballage ne sont pas un jouet ! Les enfants ne doivent pas jouer avec des sachets en plastique, des films ou de petites pièces ! Il existe le risque d'ingestion et de suffocation !**

- Tube d'aspiration
- Boyau d'aspiration
- Filtre à cartouche
- 4 roulettes
- Mode d'emploi d'origine avec consignes de sécurité

#### Accessoires disponibles séparément

18V 1,5Ah PXC batterie Lithium-Ion  
 18V 2,0Ah PXC batterie Lithium-Ion  
 18V 2,5Ah PXC batterie Lithium-Ion  
 18V 3,0Ah PXC batterie Lithium-Ion  
 18V 4,0Ah PXC batterie Lithium-Ion  
 18V 3,0Ah PXC Plus batterie Lithium-Ion  
 18V 4,0Ah PXC Plus batterie Lithium-Ion  
 18V 5,2Ah PXC Plus batterie Lithium-Ion  
 18V 4,0Ah/6,0Ah PXC Plus batterie Lithium-Ion  
 18V 5,0Ah/8,0Ah PXC Plus batterie Lithium-Ion  
 18V PXC chargeur rapide à double raccord  
 18V PXC chargeur rapide

Contactez votre détaillant pour les modèles plus spécifiques de batteries et de chargeurs disponibles dans votre région. Vous pouvez également explorer les options de batterie + chargeur sur [Einhell.com](http://Einhell.com).

### 3. Utilisation conforme

L'aspirateur à cendres sans fil convient à l'aspiration de cendres sèches froides ou de matériaux secs froids provenant de cheminées, de fours à charbon, de cendriers ou de barbecues.

La machine ne doit être utilisée que conformément à sa destination. Toute autre utilisation dépassant ce cadre n'est pas conforme. C'est l'utilisateur / l'opérateur qui est responsable de tous les dommages ou blessures de toute nature en résultant et non pas le fabricant.

Veillez noter que nos appareils n'ont pas été conçus pour une utilisation commerciale, artisanale ou industrielle. Nous n'accordons aucune garantie si l'appareil est utilisé dans des entreprises commerciales, artisanales ou industrielles ou pour des activités équivalentes.

### 4. Caractéristiques techniques

Alimentation du moteur: ..... 18V  
 Capacité de la cuve:..... 15 litres (4 gallons)  
 Poids (outil seulement): .....6.6 lbs

#### Batterie et chargeur

Veillez utiliser uniquement des batteries et des chargeurs de la série Power-X-Change, par exemple batteries 1,5 Ah et 6 Ah et chargeur modèle Power-X-Charger de 3A.

### 5. Avant la mise en service

Avant de brancher la batterie à l'équipement, assurez-vous que les données de la plaque signalétique sont identiques à celles de la batterie.

#### Avertissement!

**Retirez toujours la batterie avant d'effectuer des réglages sur l'équipement.**

#### 5.1 Assemblage de l'appareil

Montage de la tête de l'appareil (Fig. 3-6)

La tête de l'appareil (3) est fixée à la cuve (7) par les crochets de verrouillage (6). Pour retirer la tête de l'appareil (3), ouvrez les 3 crochets de verrouillage (6) et retirez la tête de l'appareil (3). Lors du montage de la tête de l'appareil (3), assurez-vous que les 3 crochets de verrouillage (6) s'enclenchent correctement.

Insérez le tube d'aspiration (9) dans l'extrémité du boyau d'aspiration (10).

Monter le boyau d'aspiration (10) sur le raccord (8) et tourner jusqu'à ce qu'il soit solidement fixé.

#### 5.2 Mise en place du filtre à cartouche

##### Avis!

N'utilisez jamais utiliser l'aspirateur à cendres sans le filtre à cartouche. Assurez-vous toujours que le filtre à cartouche est bien en place.

#### Retrait/pose du filtre à cartouche (Fig. 7)

Tournez le filtre à cartouche pour poussières fines (11) vers la gauche et retirez-le de la tête de l'appareil (3). Assemblez dans l'ordre inverse. Vérifiez que le filtre à cartouche est bien en place à tout moment !

#### Important!

Si le filtre à cartouche (11) n'est pas monté sur la tête de l'appareil (3), il sera impossible de mettre l'aspirateur de cendres en marche. L'équipement est équipé d'un interrupteur (Fig. 8/Pos 19) qui doit être activé pour permettre le fonctionnement.

#### 5.3 Montage des roulettes (Fig. 9)

Montez les roulettes (4) comme indiqué à la Fig. 9.

## 6. Opération

### 6.1 Interrupteur marche/arrêt (Fig. 1/2)

Appuyez sur l'interrupteur marche/arrêt (2) pour allumer et éteindre l'équipement.

### 6.2 Fonction de soufflage (Fig. 1/2)

Pour utiliser la fonction de soufflage, raccordez le boyau d'aspiration (10) au raccord de soufflage (5) de l'aspirateur à cendres.

### 6.3 Système de nettoyage du filtre (Fig. 11)

L'équipement dispose d'un système de nettoyage du filtre qui permet de nettoyer le filtre à cartouche en cas de baisse des performances d'aspiration.

**Important!** Le système de nettoyage du filtre ne fonctionne que lorsque l'équipement est en marche.

Lorsque les performances d'aspiration chutent, procédez comme suit :

1. Fermez l'extrémité du boyau afin que l'air ne puisse plus être aspiré.
2. Appuyez sur le bouton de nettoyage du filtre (12) et maintenez-le enfoncé pendant environ 4 secondes.
3. Répétez l'étape 2 cinq fois.

### 6.4 Nettoyage de la tête de l'appareil (Fig. 1/ Pos 3)

Nettoyez régulièrement la tête de l'appareil avec un chiffon humide et du savon doux. N'utilisez pas de produits de nettoyage ou de solvants ; ceux-ci peuvent être agressifs pour les pièces en plastique de l'appareil.

### 6.5 Nettoyage de la cuve (Fig. 1/Pos 7)

La cuve peut être nettoyée avec un chiffon humide et du savon doux ou sous l'eau courante, selon la quantité de saleté.

### 6.6 Nettoyage du filtre à cartouche (Fig. 7)

Nettoyez le filtre à cartouche (11) par exemple par tapotement et brossage ou par soufflage d'air comprimé à basse pression.

### 6.7 Chargement de la batterie au Lithium-Ion (non inclus)

Vous trouverez les instructions correspondantes dans le mode d'emploi d'origine de votre chargeur.

### 6.8 Affichage de la capacité de la batterie (image 10/Pos. 16)

Appuyez sur l'interrupteur de l'affichage de la capacité de la batterie (17). L'affichage de la capacité de la batterie (16) signale l'état de charge de la batterie au moyen de 3 DEL.

#### Les 3 DEL s'allument:

La batterie est complètement chargée.

#### 2 ou 1 DEL s'allument:

La batterie a une charge résiduelle suffisante.

#### 1 DEL clignote:

La batterie est déchargée, chargez la batterie.

#### Tous les voyants clignent :

La température de la batterie est trop basse. Retirez la batterie de l'appareil, laissez-la à température ambiante pendant une journée. Si le défaut se reproduit, cela signifie que la batterie rechargeable a subi une décharge complète et est défectueuse. Retirez la batterie de l'équipement. N'utilisez ou ne chargez jamais une batterie défectueuse.

## 7. Nettoyage et entretien

### Danger !

Avant tout travail de nettoyage, retirez la batterie de l'appareil.

### 7.1 Nettoyage

- Maintenez les dispositifs de protection, les fentes d'aération et les carter de moteur aussi exempt de poussières et de saletés que possible. Frottez l'appareil avec un linge propre et nettoyez-le à l'air comprimé à basse pression.
- Nous recommandons de nettoyer l'appareil directement après chaque utilisation.
- Nettoyez l'appareil régulièrement avec un linge humide et un peu de savon doux. N'utilisez pas de détergeant ni de solvants ; ils peuvent détériorer les éléments en plastique de l'appareil. Veillez à ce que l'eau ne puisse pas pénétrer à l'intérieur de l'appareil. La pénétration de l'eau dans un appareil électrique augmente le risque d'une électrocution.

### 7.2 Entretien

L'intérieur de l'appareil ne contient pas de pièces exigeant un entretien.

## 8. Élimination et recyclage

L'appareil se trouve dans un emballage pour empêcher les dommages dus au transport. Cet emballage constitue une matière première et peut par conséquent est réutilisé ou peut être recyclé. L'appareil et ses accessoires sont fabriqués à partir de différents produits, comme par exemple le métal et les matières plastiques. Ne jetez pas les appareils défectueux dans les déchets ménagers. Pour être éliminé de façon appropriée, l'appareil devrait être déposé à un lieu de collecte approprié. Si vous ne connaissez aucun lieu de collecte, informez-vous auprès de l'administration municipale.

## 9. Entreposage

Entreposez l'appareil et ses accessoires dans un endroit sombre, sec et exempt de gel ainsi que hors la portée des enfants. La température d'entreposage optimale se situe entre 41 °F et 86 °F (5 °C et 30 °C). Entreposez l'outil électrique dans l'emballage d'origine.

Une réimpression ou toute autre reproduction de la documentation et des documents accompagnant les produits, même par extraits, ne sont autorisées qu'avec accord exprès d'Einhell Germany AG.

Sous réserve des modifications techniques.





**Peligro!** - Leer el manual de instrucciones para reducir cualquier riesgo de sufrir daños.



Limpieza del filtro



**Peligro!** Antes de aspirar estufas y fogones, espere al menos 24 horas para asegurarse que se ha enfriado y que el fuego se ha extinguido completamente. ¡Sólo para cenizas frías, ver manual de instrucciones!



Almacenamiento de las baterías sólo en espacios secos con una temperatura ambiente de 50°F to 104°F (+10°C to +40°C). Guardar las baterías únicamente cuando estén cargadas (mín. al 40%).

**Peligro!**

Al usar aparatos es preciso tener en cuenta una serie de medidas de seguridad para evitar lesiones o daños. Por este motivo, es preciso leer atentamente este manual de instrucciones/advertencias de seguridad. Guardar esta información cuidadosamente para poder consultarla en cualquier momento. En caso de entregar el aparato a terceras personas, será preciso entregarles, asimismo, el manual de instrucciones/advertencias de seguridad. No nos hacemos responsables de accidentes o daños provocados por no tener en cuenta este manual y las instrucciones de seguridad.

**1. Instrucciones de seguridad****INSTRUCCIONES IMPORTANTES DE SEGURIDAD**

A la hora de usar un aparato eléctrico, es preciso tener en cuenta una serie de medidas básicas, incluyendo las siguientes:

**LEER TODAS LAS INSTRUCCIONES ANTES DE USAR ESTE APARATO. Si no se siguen las advertencias e instrucciones, se puede correr el riesgo de sufrir una descarga eléctrica, provocar un incendio y/o sufrir lesiones graves.**

**ADVERTENCIA**—Para reducir el riesgo de incendio, descarga eléctrica o lesión:

1. No utilizar en exteriores ni sobre superficies mojadas.
2. No permitir que se use a modo de juguete. Es preciso estar muy atento si se utiliza en las inmediaciones de niños, animales o plantas.
3. Utilizar solo según se describe en este manual. Utilizar solo accesorios recomendados por el fabricante.
4. No utilizar si el cable o enchufe presentan daños. Si el aparato no funciona como debería, se ha caído, dañado, dejado a la intemperie o se ha caído en agua, llevarlo a un centro de servicio.
5. No tirar del aparato ni transportarlo por el cable, ni utilizar el cable a modo de asa. No cerrar una puerta pillando el cable ni acercarlo a bordes afilados ni esquinas. No pasar el aparato por encima del cable. Mantener el cable alejado de superficies calientes.
6. No desenchufar el aparato tirando del cable. Para desenchufarlo, hacerlo agarrando el enchufe, no el cable.

7. No manipular el cargador (incl. el enchufe del cargador) ni los terminales de carga con las manos mojadas.
8. No introducir objetos en las aberturas. No utilizar si alguna abertura está bloqueada. Mantenerlas libres de polvo, pelusas, pelo y cualquier cosa que pueda reducir el flujo de aire.
9. Mantener el cabello, la ropa holgada, los dedos y todas las partes del cuerpo alejadas de las aberturas y de las piezas en movimiento.
10. Prestar especial cuidado a la hora de limpiar en escaleras.
11. No utilizar para absorber líquidos inflamables o combustibles, como por ejemplo gasolina, ni utilizarlo en áreas donde puedan estar presentes.
12. No absorber nada que esté encendido o de lo que salga humo, como por ejemplo cigarrillos, cerillas o cenizas calientes.
13. No lo use sin el filtro.
14. Evitar un arranque inesperado. Asegurarse de que el interruptor se encuentre en la posición OFF antes de conectar la batería, alzar el aparato o transportarlo. El transporte de aparatos con el dedo en el interruptor o la activación de aparatos eléctricos con el interruptor en ON puede provocar accidentes.
15. Desconectar la batería del aparato antes de realizar ajustes, cambiar accesorios o almacenar el aparato. Este tipo de medidas de seguridad preventivas sirve para reducir el riesgo de poner en marcha el aparato de manera involuntaria.
16. Recargar solo con el cargador especificado por el fabricante. Un cargador adecuado para un tipo de batería puede conllevar el riesgo de provocar un incendio si se usa con otro tipo de batería.
17. Utilizar los aparatos solo con las baterías designadas específicamente. El uso de cualquier otro tipo de batería puede suponer un riesgo de sufrir lesiones y de provocar un incendio.
18. Si no se está usando la batería, mantenerla alejada de otros objetos metálicos, como clips, monedas, llaves, clavos, tornillos u otros objetos pequeños de metal que puedan realizar una conexión de un terminal al otro. Si se cortocircuitan los terminales de la batería, se pueden provocar quemaduras o un incendio.
19. En caso de uso excesivo, es posible que algo de líquido goteé de la batería. Evitar el con-

- tacto. En caso de contacto accidental, lavar con agua. Si el líquido entra en contacto con los ojos, buscar atención médica. El líquido que sale de la batería puede causar irritación o quemaduras.
20. No utilizar baterías ni aparatos que estén dañados o modificados. Las baterías dañadas o modificadas pueden manifestar comportamientos impredecibles que den lugar a incendio, explosión o riesgo de lesión.
  21. No exponer una batería ni un aparato al fuego o a una temperatura excesiva. La exposición al fuego o a una temperatura superior a los 266°F (130°C) puede provocar una explosión.
  22. Seguir todas las instrucciones de carga y no cargar la batería ni el aparato fuera del margen de temperatura especificado en las instrucciones. Una carga inadecuada o a temperaturas fuera del margen especificado puede dañar la batería e incrementar el riesgo de incendio.
  23. Encargar el servicio exclusivamente a una persona cualificada que use solo piezas de repuesto idénticas. Solo así se podrá mantener la seguridad del producto.
  24. No modificar ni intentar reparar el aparato o la batería de forma distinta a lo que se indique en las instrucciones de uso y conservación.

El aparato debe almacenarse, utilizarse y cargarse a una temperatura comprendida entre 4°C~40°C (40°F~104°F).

#### GUARDAR ESTAS INSTRUCCIONES

Para un uso exclusivamente doméstico.

## 2. Descripción del aparato y volumen de entrega

### 2.1 Descripción del aparato (fig. 1)

1. Empuñadura
2. Interruptor ON/OFF
3. Cabezal del aparato
4. Ruedecillas
5. Conexión de soplado
6. Ganchos de cierre
7. Recipiente
8. Conexión de la manguera de aspiración
9. Tubo de aspiración
10. Manguera de aspiración flexible
11. Cartucho de filtro para polvo fino de ceniza
12. Botón para la limpieza del filtro

13. Soporte del tubo de aspiración
14. Batería (no se suministra)
15. Dispositivo de retención
16. Indicador de capacidad de batería
17. Pulsador para indicar la capacidad de batería
18. Cadena
19. Interruptor

### 2.2 Volumen de entrega

Sirviéndose de la descripción del volumen de entrega, comprobar que el artículo esté completo. Si faltase alguna pieza, dirigirse a nuestro Service Center o a la tienda especializada más cercana en un plazo máximo de 5 días laborales tras la compra del artículo presentando un recibo de compra válido.

- Abrir el embalaje y extraer cuidadosamente el aparato.
- Retirar el material de embalaje, así como los dispositivos de seguridad del embalaje y para el transporte (si existen).
- Comprobar que el volumen de entrega esté completo.
- Comprobar que el aparato y los accesorios no presenten daños ocasionados durante el transporte.
- Si es posible, almacenar el embalaje hasta que transcurra el periodo de garantía.

### Peligro!

**¡El aparato y el material de embalaje no son un juguete! ¡No permitir que los niños jueguen con bolsas de plástico, láminas y piezas pequeñas! ¡Riesgo de ingestión y asfixia!**

- Tubo de aspiración
- Manguera de aspiración
- Cartucho de filtro
- 4x ruedas
- Manual de instrucción original con instrucción de seguridad

### Accesorios disponibles por separado

- 18V 1.5Ah PXC batería Li-Ion
- 18V 2.0Ah PXC batería Li-Ion
- 18V 2.5Ah PXC batería Li-Ion
- 18V 3.0Ah PXC batería Li-Ion
- 18V 4.0Ah PXC batería Li-Ion
- 18V 3.0Ah PXC Plus batería Li-Ion
- 18V 4.0Ah PXC Plus batería Li-Ion
- 18V 5.2Ah PXC Plus batería Li-Ion
- 18V 4.0Ah/6.0Ah PXC Plus batería Li-Ion
- 18V 5.0Ah/8.0Ah PXC Plus batería Li-Ion
- 18V PXC cargador rápido de doble Puerto
- 18V PXC cargador rápido

Comuníquese con su distribuidor local para obtener modelos más específicos de baterías y cargadores disponibles en su área. Explorar las opciones de batería y cargador en einhell.com.


### 3. Uso adecuado

El aspirador de cenizas inalámbrico es adecuado para aspirar cenizas frías y secas o residuos fríos y secos de chimeneas, estufas de carbón/madera, ceniceros o barbacoas.

Utilizar la máquina sólo en los casos que se indican explícitamente como de uso adecuado. Cualquier otro uso no será adecuado. En caso de uso inadecuado, el fabricante no se hace responsable de daños o lesiones de cualquier tipo; el responsable es el usuario u operario de la máquina.

Tener en consideración que nuestro aparato no está indicado para un uso comercial, industrial o en taller. No asumiremos ningún tipo de garantía cuando se utilice el aparato en zonas industriales, comerciales o talleres, así como actividades similares.

### 4. Características técnicas

Alimentación de tensión de motor: ..... 18V   
 Volumen del recipiente .....4 gallon (15 L)  
 Peso (solo herramienta): .....6.6 lb (3 kg)

#### Batería y cargador

Utilizar exclusivamente baterías o cargadores de la serie Power-X-Change como p. ej. 1,5 Ah y 6 Ah, así como el cargador Power-X-Charger 3 A.

### 5. Antes de la puesta en marcha

Antes la conexión, asegurarse de que los datos de la placa de identificación coincidan con los datos de la batería.

#### ¡Aviso!

**Quitar siempre la batería antes de realizar ajustes en el aparato.**

#### 5.1 Montaje del aparato

##### Montaje del cabezal del aparato (fig. 3-6)

El cabezal del aparato (3) está sujeto al recipiente (7) por medio de ganchos de cierre (6). Para sacar el cabezal (3), abrir los ganchos de cierre (6) y extraer el cabezal (3). Al montar el cabezal (3) asegurarse de que los ganchos de cierre (6) se enclaven bien.

Encajar el tubo de aspiración (9) en el extremo de la manguera de aspiración (10).

Introducir la manguera de aspiración (10) en la conexión (8) y girarla hasta que quede fijada.

#### 5.2 Montaje del filtro

##### Advertencia!

¡No utilizar nunca el aspirador sin filtro! ¡Asegurarse de que los filtros estén siempre bien colocados!

##### Montaje/desmontaje del filtro (fig. 7)

Girar el cartucho de filtro para polvo fino (11) hacia la izquierda y extraerlo del cabezal del aparato (3). El montaje se realiza siguiendo el mismo orden pero a la inversa. ¡Asegurarse de que el filtro plegado esté siempre bien colocado!

##### ¡Advertencia!

Cuando no haya ningún filtro (11) montado en el cabezal del aparato (3), no se podrá encender el aspirador de cenizas. El aparato está equipado con un interruptor (fig. 8/pos. 19) que se debe activar para permitir el funcionamiento.

#### 5.3 Montaje de las ruedecillas orientables (fig. 9)

Montar las ruedecillas orientables (4) según se indica en la figura 9.

## 6. Manejo

### 6.1 Interruptor ON/OFF (Fig. 1/2)

Pulsar el interruptor (2) para encender o apagar el aparato.

### 6.2 Soplar (fig. 1/2)

Conectar la manguera de aspiración (10) al empalme de soplado (5) del aspirador de cenizas.

### 6.3 Sistema de limpieza del filtro (fig. 11)

El aparato está equipado con un sistema de limpieza del filtro que permite limpiar el filtro plisado cuando la potencia de aspiración disminuye.

**¡Advertencia!** El sistema de limpieza del filtro funciona solo cuando el aparato está en funcionamiento.

Si la potencia de aspiración disminuye, proceder como sigue:

1. Cerrar el extremo de la manguera para que no pueda aspirar más aire.
2. Pulsar el botón para la limpieza del filtro (12) y mantenerlo pulsado aprox. 4 s.
3. Repetir el segundo paso de 4 a 5 veces.

### 6.4 Limpieza del cabezal del aparato (fig. 1/ pos. 3)

Limpia el aparato de forma periódica con un paño húmedo y un poco de jabón blando. No utilizar productos de limpieza o disolventes; ya que podrían deteriorar las piezas de plástico del aparato.

### 6.5 Limpieza del recipiente (fig. 1/pos. 7)

Dependiendo del nivel de suciedad, el recipiente se puede limpiar con un paño húmedo, un poco de jabón blando y agua abundante.

### 6.6 Limpieza del filtro (fig. 7)

Limpia el cartucho de filtro (11), p.ej. sacudiéndolo y barriendo o soplando con aire comprimido a baja presión.

### 6.7 Cómo cargar la batería de litio (no incluido en el volumen de entrega)

Las instrucciones correspondientes se encuentran en el manual de instrucciones original del cargador.

### 6.8 Indicador de capacidad de batería (fig. 10/pos. 16)

Pulsar el interruptor para acceder al indicador de capacidad de la batería (17). El indicador de capacidad de batería (16) le indica el estado de carga de la batería sirviéndose de 3 LEDs.

#### Los 3 LED están iluminados:

La batería está completamente cargada.

#### 2 o 1 LED están iluminados

La batería dispone de suficiente carga residual.

#### 1 LED parpadea:

La batería está vacía, es preciso cargarla.

#### Si todos los LED parpadean:

La temperatura de la batería es demasiado baja. Quitar la batería del aparato y dejarla durante un día a temperatura ambiente. Si vuelve a aparecer el fallo, la batería se ha descargado completamente y está defectuosa. Quitar la batería del aparato. Está prohibido emplear o cargar una batería defectuosa.

## 7. Mantenimiento y limpieza

### Peligro!

Desenchufar la batería antes de realizar trabajos de limpieza.

### 7.1 Limpieza

- Reducir al máximo posible la suciedad y el polvo en los dispositivos de seguridad, las rendijas de ventilación y la carcasa del motor. Frotar el aparato con un paño limpio o soplarlo con aire comprimido manteniendo la presión baja.
- Se recomienda limpiar el aparato tras cada uso.
- Limpiar el aparato con regularidad con un paño húmedo y un poco de jabón blando. No utilizar productos de limpieza o disolventes ya que se podrían deteriorar las piezas de plástico del aparato. Es preciso tener en cuenta que no entre agua en el interior del aparato. Si entra agua en el aparato eléctrico existirá mayor riesgo de una descarga eléctrica.

### 7.2 Mantenimiento

No hay que realizar el mantenimiento a más piezas en el interior del aparato.

## 8. Eliminación y reciclaje

El aparato está protegido por un embalaje para evitar daños producidos por el transporte. Este embalaje es materia prima y, por eso, se puede volver a utilizar o llevar a un punto de reciclaje. El aparato y sus accesorios están compuestos de diversos materiales, como, p. ej., metal y plástico. Los aparatos defectuosos no deben tirarse a la basura doméstica. Para su eliminación adecuada, el aparato debe entregarse a una entidad recolectora prevista para ello. En caso de no conocer ninguna, será preciso informarse en el organismo responsable del municipio.

## 9. Almacenamiento

Guardar el aparato y sus accesorios en un lugar oscuro, seco, protegido de las heladas e inaccesible para los niños. La temperatura de almacenamiento óptima se encuentra entre los 41°F y 86°F (5 y 30 °C). Guardar la herramienta eléctrica en su embalaje original.

Sólo está permitido copiar la documentación y documentos anexos del producto, o extractos de los mismos, con autorización expresa de Einhell Germany AG.

Nos reservamos el derecho a realizar modificaciones técnicas.







A series of horizontal lines for writing, starting from the top right and extending down to the bottom of the page.





Two horizontal lines are positioned to the right of the pencil's tip, serving as a starting point for writing. Below these, there are 25 additional horizontal lines, evenly spaced, extending across the width of the page. These lines are intended for writing or drawing.



[www.Einhell.com](http://www.Einhell.com)

EH 05/2023 (01)