



Paint and Mortar Mixer FMR 800

Art. No.: **42.583.51**

Bar code: 4006825501353

Sales unit: 2 pcs

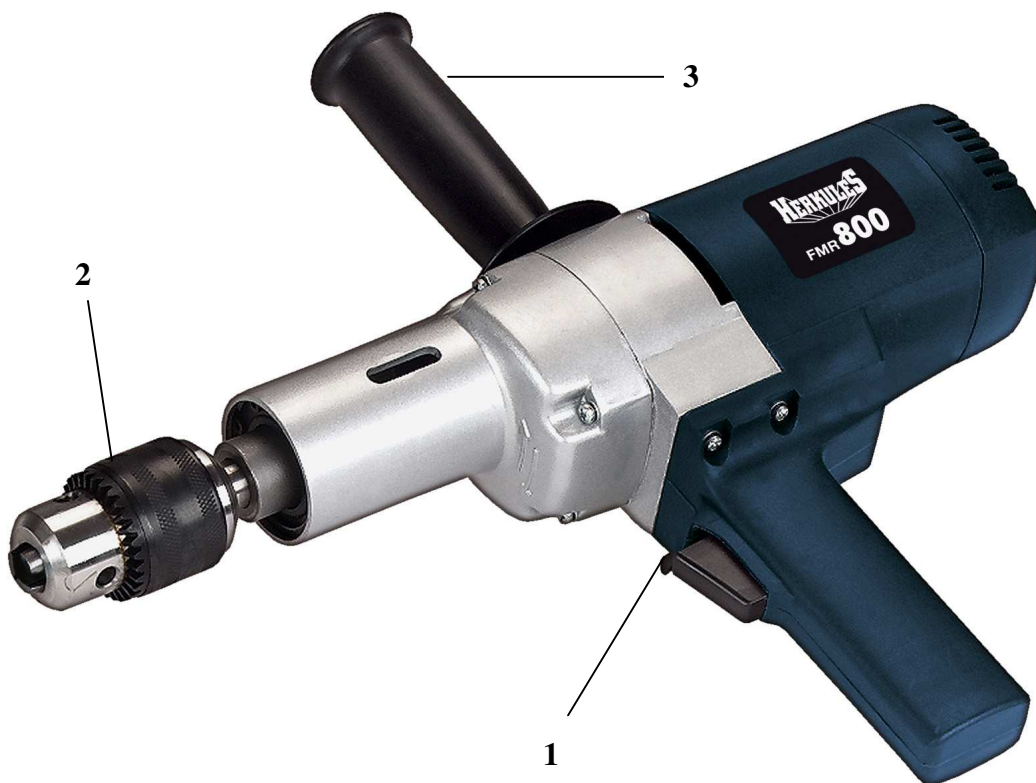
The machine is designed for mixing liquid and powdery building materials such as paint, mortar, adhesive, plaster and similar substances. A selection of stirrers with different mixing actions is available to suit the consistency and quantity of material in question. It is also possible to use the machine as a drill.

Supplied with:

- Reverse facility (1)
- Scroll chuck 3-16 mm (2)
- Additional handle (3)
- MK2 holder
- Drill chuck key
- Drill drift

Technical data:

- Voltage: 230 V ~ 50 Hz
- Power rating: 800 watts
- Drilling capacity: max. 23 mm
- Idle speed: 0-300 rpm
- Weight: 5,3 kg
- Packing dimensions:: 29,6 x 13,2 x 36,5 cm



As special accessory available:

Mixer set Set 3-parts

Art. No.: **42.583.60**

Bar code: 4006825425147

