

The small-sized solution
for precision drilling!

Einhell®
NEW GENERATION



The SB 401/1 precision pillar drill is equipped with a V-belt drive, a continuously height-adjustable, tilting and laterally pivoting drilling table, a ball-raced drill spindle, an ON/OFF switch with no-load function, a contact switch in the V-belt housing, a folding eye shield and a bottom stop.



SB 401/1 Pillar Drill

Available as special accessory:

Vice:

Art. No.: 42.257.06

Ident. No.: 00010

Bar Code: 4006825 421002



Logistic Information:

Type:	SB 401/1	Sales unit:	1 pc
Art. No.:	42.504.20	20`:	720 pcs
Ident. No.:	01027	40`:	-- pcs
Bar Code:	4006825 505047	40`HC:	-- pcs
Packing:	435x350x235 mm	Weight:	18.3 kgs (gross)



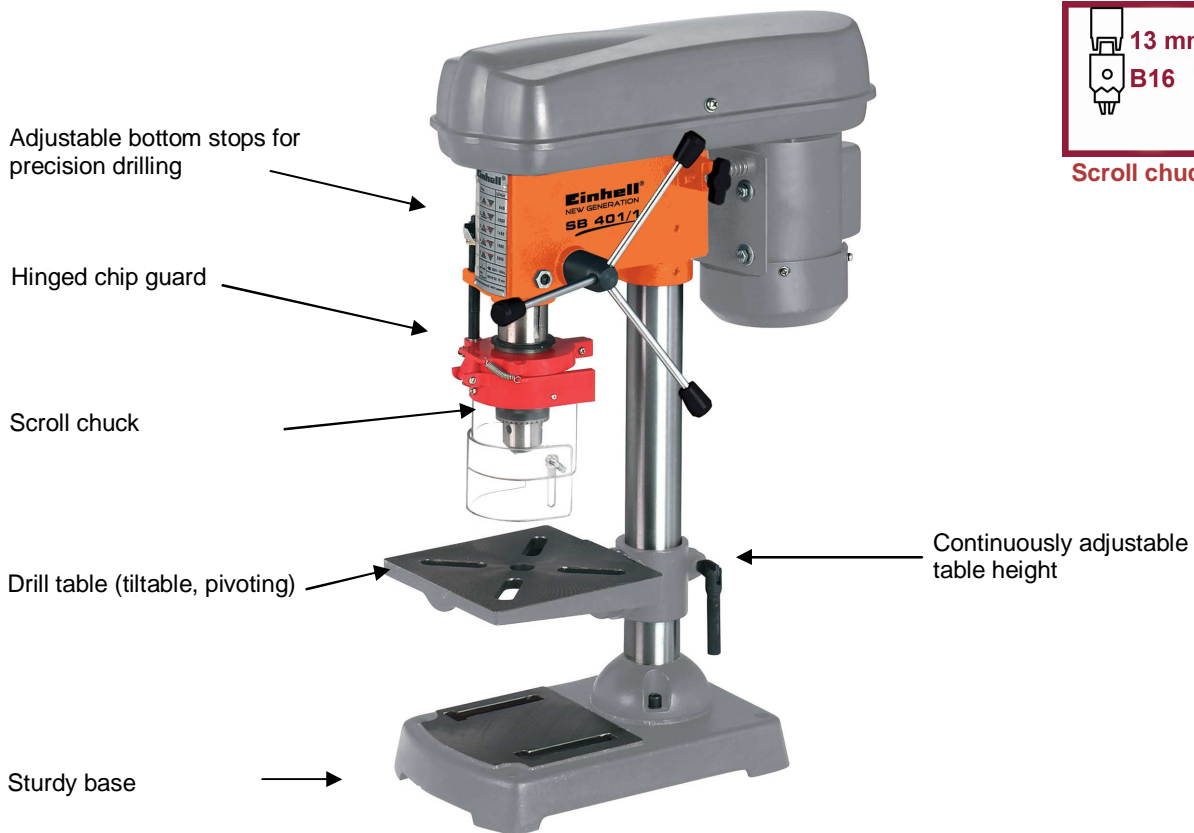
Abbildungen können nicht im Serien-Lieferumfang enthaltenes Zubehör darstellen / Illustrations may contain accessories not included in the standard scope of delivery. Abbildungen ähnlich, produktionsbedingte Abweichung vorbehalten / Illustrations will be similar (in design), production-related modifications reserved without prior notice.

File: S:\shared-pool\Product-Dokumentation\T-Produktbeschreibung\30_n0\Originale_Englisch_PA04\4250420_01027.doc
Erstelldatum/create date: 12.12.2007 15:40:00Aktualisiert/up dated: 12.12.2007

The small-sized solution for precision drilling!

Einhell®

NEW GENERATION



Features:

- Adjustable bottom stops for precision drilling
- 5-fold speed graduation 580 – 2,650 min⁻¹
- Ball-raced drill spindle
- ON/OFF switch with zero voltage-releasing
- Continuously adjustable table height
- Scroll chuck
- Hinged chip guard
- Drill table (tiltable, pivoting)

Technical Data:

- Mains: 230V ~ 50Hz
- Power: 350 watts (S2 15 min.)
- Motor speed: 1400 min⁻¹
- Spindle speed: 5 step 580 – 2650 min⁻¹
- Drill table adjustment: -45° to + 45°
- Scroll chuck: Ø 1.5 to 13 mm
- Drill chuck mount: B16
- Throat: 104 mm
- Max. drill depth: 50 mm
- Pillar diameter: 46 mm
- Size of base table: 290 x 185 mm
- Size of drill table: 160 x 160 mm
- Height: 590 mm

Logistic Information:

Type:	SB 401/1	Tool:	Pillar Drill
Art. No.:	42.504.20	Sales unit:	1 pc
Ident. No.:	01027	20`:`:	720 pcs
Bar Code:	4006825 505047	40`:`:	-- pcs
Packing:	435x350x235 mm	40```HC:	-- pcs
		Weight:	18.3 kgs (gross)



Abbildungen können nicht im Serien-Lieferumfang enthaltenes Zubehör darstellen / Illustrations may contain accessories not included in the standard scope of delivery. Abbildungen ähnlich, produktionsbedingte Abweichung vorbehalten / Illustrations will be similar (in design), production-related modifications reserved without prior notice.

File: S:\shared-pool\Product-Dokumentation\T-Produktbeschreibung\30_n0t\Originale_Englisch_PA04\4250420_01027.doc
Erstelldatum/create date: 12.12.2007 15:40:00Aktualisiert/up dated: 12.12.2007