

GARDENLINE®

Electric Grass Trimmer

Original Operating Instructions

Now you have purchased a Gardenline® product you can rest assured in the knowledge that as well as your 3 year parts and labour guarantee you have the added peace of mind of dedicated helplines and web support



AFTER SALES SUPPORT



GB 0151 649 1500
(Charged at local rates)



IRE 1890 946 6244
www.einhell.co.uk

7446, 08/2011, GLT5529

Contents

- 03 Introduction
- 04 General Information & Safety Instructions
- 12 Assembly and Parts List
- 14 Instructions
- 21 Other Useful Information

Welcome Section

You have made an excellent choice with the purchase of this quality Gardenline® product.



By doing so you now have the assurance and peace of mind which comes from purchasing a product that has been manufactured to the highest standards of performance and safety, supported by the high quality standards of Aldi.

We want you to be completely satisfied with your purchase so this Gardenline® product is backed by a comprehensive manufacturer's 3 year warranty and an outstanding after sales service through our dedicated Helpline.

We hope you will enjoy using your purchase for many years to come.

If you require technical support or in the unlikely event that your purchase is faulty please telephone our Helpline for immediate assistance. Faulty product claims made within the 3 year warranty period will be repaired or replaced free of charge provided that you have satisfactory proof of purchase (keep your till receipt safe!). This does not affect your statutory rights. However, be aware that the warranty will become null and void if the product is found to have been deliberately damaged, misused or disassembled.

AFTER SALES SUPPORT

 **0151 649 1500**
(Charged at local rates)
 **1890 946 6244**

 www.einhell.co.uk

MODEL NUMBER: 7446, 08/2011, GLT5529 02

AFTER SALES SUPPORT

 **0151 649 1500**
(Charged at local rates)
 **1890 946 6244**

 www.einhell.co.uk

MODEL NUMBER: 7446, 08/2011, GLT5529 03

General Information & Safety Instructions

2

Read and follow the operating instructions and safety information before using for the first time.

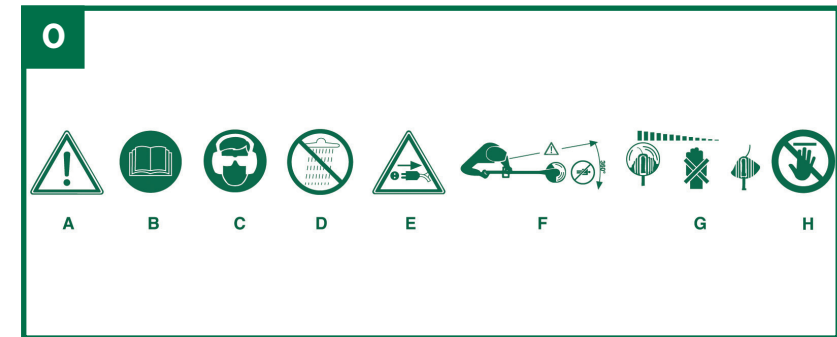
Read all safety regulations and instructions.
Any errors made in following the safety regulations and instructions may result in an electric shock, fire and/or serious injury.
Keep all safety regulations and instructions in a safe place for future use.

When using equipment, a few safety precautions must be observed to avoid injuries and damage. Please read the complete operating manual with due care. Keep this manual in a safe place, so that the information is available at all times. If you give the equipment to any other person, give them these operating instructions as well. We accept no liability for damage or accidents which arise due to non-observance of these instructions and the safety information.

Warning! For safety reasons, the grass trimmer is not to be used by children, young people under 16 years of age, or any other persons who are not acquainted with these operating instructions.'

Items supplied

- Open the packaging and take out the equipment with care.
- Remove the packaging material and any packaging and/or transportation braces (if available).
- Check to see if all items are supplied.
- Inspect the equipment and accessories for transport damage.
- If possible, please keep the packaging until the end of the guarantee period.





Explanation of the warning pictograms (see Fig. 0)

- A **Warning!**
- B **Read the instruction manual before starting!**
- C **Wear eye protection and ear plugs!**
- D **Protect from moisture!**
- E **Pull out the mains plug before checking a damaged power cable!**
- F **Keep other people out of the danger area!**
- G **The equipment continues to rotate!**
- H **Caution: Sharp blade! Keep your hands away.**

This device is not intended for use by persons (including children) with physical, sensory or mental abilities or lack of experience and / or knowledge, unless they are supervised by a person responsible for their safety or received by instruction in how to use the device to. Children should be supervised to ensure that they do not play with the device.



AFTER SALES SUPPORT

 **0151 649 1500**
(Charged at local rates)
 **1890 946 6244**

 www.einhell.co.uk

MODEL NUMBER: 7446, 08/2011, GLT5529 04

AFTER SALES SUPPORT

 **0151 649 1500**
(Charged at local rates)
 **1890 946 6244**

 www.einhell.co.uk

MODEL NUMBER: 7446, 08/2011, GLT5529 05

Safety Instruction

Please read the operating instructions carefully and observe the information provided. It is important to consult these instructions in order to acquaint yourself with the equipment, its proper use and safety regulations. Keep the instruction manual in a safe place for later use.

1. Always inspect the equipment visually before using it. Do not use the equipment if safety devices are damaged or worn. Never disable safety devices.
2. Use the equipment only for the purposes indicated in these operating instructions.
3. You are responsible for safety in the work area.
4. Before you begin your work, examine the material you want to cut. Remove any foreign bodies. Continue to watch out for foreign bodies while you are working. If you come across any foreign bodies while cutting, turn off the machine and remove the items in question.
5. Work only when visibility is adequate.
6. Make sure you stand squarely at all times while working. Be careful when walking backwards.
Tripping hazard!
7. Never leave the equipment unsupervised in the work area. If you stop work for a while, leave the equipment in a safe place.
8. If you stop your work in order to carry the trimmer to another area you must make sure that the equipment is switched off.
9. Never use the equipment while it is raining or in damp or wet surroundings.
10. Protect your equipment against moisture and rain.
11. Before you switch on the equipment, check that the nylon line will not touch any stones or other objects.
12. Always wear suitable working clothes to prevent injuries to the head, hands and feet. For this purpose wear a helmet, safety goggles (or visor), ear defenders, high boots (or strong shoes and long trousers made of tough fabric) and work gloves.
13. When the equipment is in operation, you must always hold it away from your body!
14. Do not switch on the equipment when it is not in working position.
15. Switch off the motor and pull out the power plug when the equipment is not being used, when you leave it unsupervised, when checking the equipment, if the power cable is damaged, when removing or replacing the spool, or when transporting the equipment from one place to another.
16. Keep the equipment away from other people, especially children, and from pets. There may be stones and other objects in the grass which may be ejected into the surrounding area.
17. When you are working, keep a distance of at least 5m from other persons and pets.
18. Do not cut against hard objects. This will help you to prevent causing injury to yourself and damage to the equipment. This will also help to make spools last longer.
19. Use the edge of the safety guard to keep the equipment away from walls, different surfaces and fragile objects.
20. Never use the equipment without the safety guard.

Important: The safety guard is there to ensure your safety and the safety of others. It is also essential for the equipment to work correctly. Failure to comply with this instruction will invalidate your warranty as well as create a potential source of danger.

AFTER SALES SUPPORT



GB 0151 649 1500
(Charged at local rates)
IRE 1890 946 6244



www.einhell.co.uk

MODEL NUMBER: 7446, 08/2011, GLT5529 06



GB 0151 649 1500
(Charged at local rates)
IRE 1890 946 6244



www.einhell.co.uk

MODEL NUMBER: 7446, 08/2011, GLT5529 07

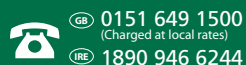
21. Never use your hands to try to stop the cutting unit (nylon line). Always wait for it to stop by itself.
22. Never use any nylon line other than the original nylon line. Under no circumstances should you use metal wire in place of the nylon line or replacements specifically produced for this grass trimmer.
23. Beware of injuring yourself on the device for cutting the line to length.
24. Make sure that the air vents are free of dirt.
25. Disconnect the equipment from the mains after use and check the equipment for damage.
26. Do not try to use the equipment to cut grass which is not growing on the ground; for example, do not try to cut grass growing on walls or stones, etc.
27. The person operating the grass trimmer is liable for any damages sustained by third parties within the equipment's working radius as a result of its use.
28. Do not cross roads or gravel paths with the equipment switched on.
29. When you are not using the equipment, keep it in a dry place out of the reach of children.
30. Use the equipment only in the way described in these operating instructions and always hold it perpendicular to the ground. Every other position is dangerous.
31. Check at regular intervals that the screws are properly tightened.
32. The mains supply must be the same as the voltage indicated on the rating plate.
33. Keep extension cables away from cutting tools at all times.
34. The power cable must be examined regularly for signs of damage or ageing. Do not use the equipment if the power cable is in a less than perfect condition.

35. The power cables used are not to be of a lighter duty class than light rubber-insulated HO7RN-F in accordance with DIN 57282/VDE 0282 and they must have a minimum diameter of 1.5 mm². Plug connections must have earthing contacts and the coupling must be protected from rainwater.
36. If the cable is damaged during operation, disconnect it immediately from the power supply.

Important: Do not touch the cable before it is disconnected from the power supply.

37. To prevent danger, damaged power cables must be replaced by the manufacturer or by a service company authorized to carry out the work by the manufacturer.
38. It is recommended that equipment is only used via earth leakage circuit breaker (RCD) with a maximum operating current of 30 mA.
39. The area to be cut must always be kept cleared of cables and other objects.
40. If the equipment has to be lifted for transporting, be sure to switch off the motor first and wait for the cutter to come to a standstill. Each time before you leave the equipment, switch off the motor and pull out the power plug.
41. Before you connect the equipment to the power supply, make sure that none of the rotating components is damaged and that the line reel is properly inserted and secured.
42. Under no circumstances are you to cut against hard objects during use. This is imperative to prevent injury to yourself and damage to the equipment.
43. Use only original replacement parts for repairs.
44. Repairs may only be carried out by a qualified electrician.

AFTER SALES SUPPORT



 www.einhell.co.uk

MODEL NUMBER: 7446, 08/2011, GLT5529 08

AFTER SALES SUPPORT



 www.einhell.co.uk

MODEL NUMBER: 7446, 08/2011, GLT5529 09

45. Before starting up the equipment, and after any collision, check the equipment for signs of wear or damage and have any necessary repairs carried out.
46. Always keep your hands and feet away from the cutting unit, especially when switching the motor on.
47. After you pull out a new line, always turn the equipment to its normal working position before switching on.
48. Never use spare parts and accessories which are not provided or recommended by the manufacturer.
49. Pull out the mains plug before checking, cleaning or doing any work on the equipment and when it is not being used.
50. Use the equipment only in broad daylight or in welllit conditions.

Important: The nylon line continues to rotate for a few seconds after the motor is switched off.

Proper use

The equipment is designed for cutting lawns and small areas of grass in private and hobby gardens. Equipment designed for use in private and hobby gardens is regarded as unsuitable for use in public facilities, parks and sports centers, along roadways, or in agriculture and forestry. The operating instructions as supplied by the manufacturer must be kept and referred to in order to ensure that the machine is properly used and maintained.

Important: This equipment must not be used for composting purposes (shredding) as this could result in injury or damage to property.

IMPORTANT

The equipment and packaging material are not toys. Do not let children play with plastic bags, foils or small parts. There is a danger of swallowing or suffocating!

- Trimmer
- Additional handle
- Guard hood
- Guide wheels
- Distance bracket
- Screw (3x)
- Original operating instructions
- Safety instructions

Proper use

The equipment is designed for cutting lawns and small areas of grass in private and hobby gardens. Equipment designed for use in private and hobby gardens is regarded as unsuitable for use in public facilities, parks and sports centers, along roadways, or in agriculture and forestry. The operating instructions as supplied by the manufacturer must be kept and referred to in order to ensure that the equipment is properly used and maintained.

Important: This equipment must not be used for composting purposes (shredding) as this could result in injury or damage to property.

The machine is to be used only for its prescribed purpose. Any other use is deemed to be a case of misuse. The user / operator and not the manufacturer will be liable for any damage or injuries of any kind caused as a result of this.

Please note that our equipment has not been designed for use in commercial, trade or industrial applications. Our warranty will be voided if the machine is used in commercial, trade or industrial businesses or for equivalent purposes.

AFTER SALES SUPPORT



GB 0151 649 1500
(Charged at local rates)
IRE 1890 946 6244



www.einhell.co.uk

MODEL NUMBER: 7446, 08/2011, GLT5529 10



AFTER SALES SUPPORT

GB 0151 649 1500
(Charged at local rates)
IRE 1890 946 6244



www.einhell.co.uk

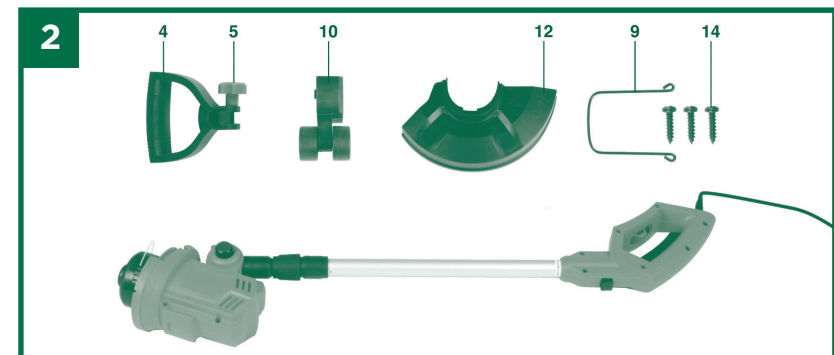
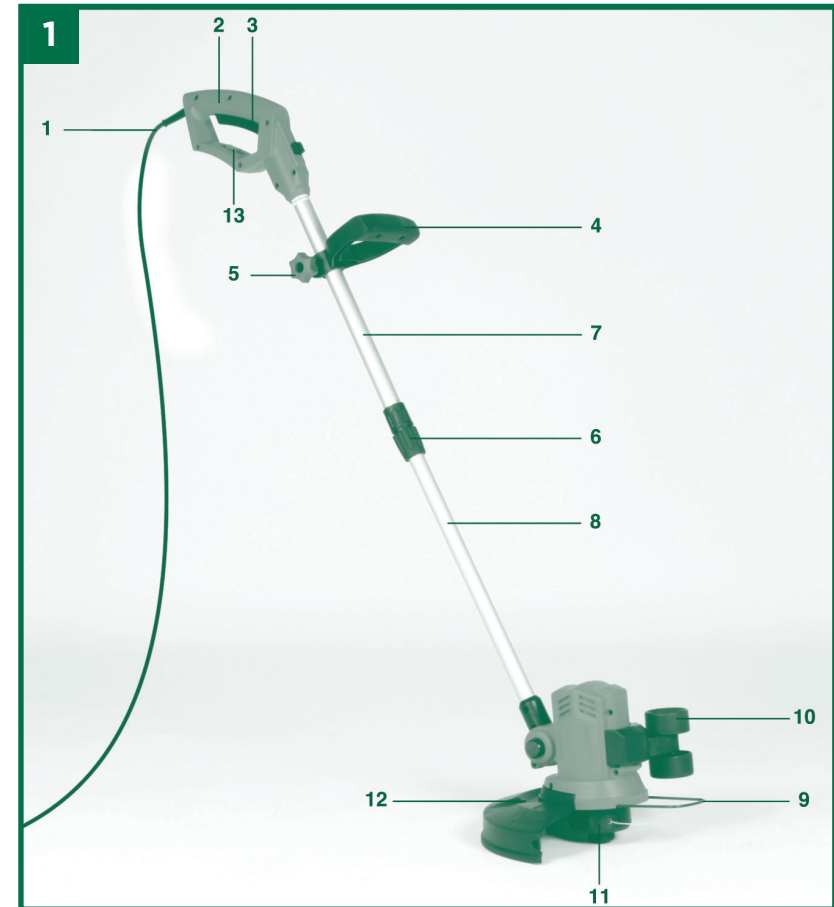
MODEL NUMBER: 7446, 08/2011, GLT5529

Assembly & Parts List

3

Layout (Fig.1-2)

- 1. Power cable
- 2. Upper handle
- 3. ON/OFF switch
- 4. Additional handle
- 5. Lock for additional handle
- 6. Lock for handlebar height adjustment
- 7. Top handlebar
- 8. Bottom handlebar
- 9. Distance edge guide
- 10. Guide wheels
- 11. Line spool
- 12. Guard hood
- 13. Cable strain-relief clamp
- 14. Screws



AFTER SALES SUPPORT

☎ 0151 649 1500
(Charged at local rates)
☎ 1890 946 6244

🌐 www.einhell.co.uk

MODEL NUMBER: 7446, 08/2011, GLT5529 12

AFTER SALES SUPPORT

☎ 0151 649 1500
(Charged at local rates)
☎ 1890 946 6244

🌐 www.einhell.co.uk

MODEL NUMBER: 7446, 08/2011, GLT5529 13

Instructions

4

Before starting the equipment

Assembling the grass trimmer (Fig. 3a-3e)

Take the screw set out of the additional handle (Fig.2/Item 4). Fit the additional handle (Fig. 3a/Item 4) to the top handle (Fig. 3a/Item 7). Secure the additional handle with the screw (Fig. 3a/Item A) and star knob (Fig. 3b/Item 5). Fasten the distance edge guide (Fig. 3c/Item 9) as shown in Figure 3c with the two screws (Fig. 3c/Item 14). Place the guard hood (Fig. 3d/Item 12) onto the motor housing as shown in Figure 3d and secure with the screw (Fig. 3d/Item 14). Slide the guide wheels (Fig. 3e/Item 10) onto the motor housing as shown in Figure 3e. Ensure that there is an audible click when they engage.

A blade (Figure 3g/ Item X) on the underside of the guard hood automatically cuts the cutting line to the optimum length. This is covered by a plastic sleeve cover guard (Figure 3g/Item Y). Remove the plastic sleeve cover guard before you start (Figures 3f - 3g) working and replace it when you have finished working.

Height adjustment (Fig. 4)

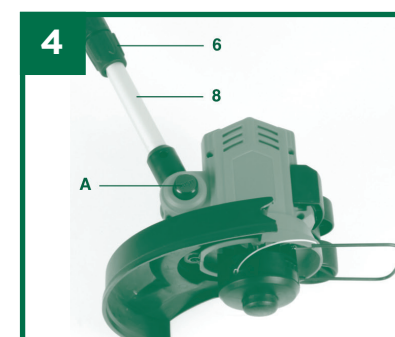
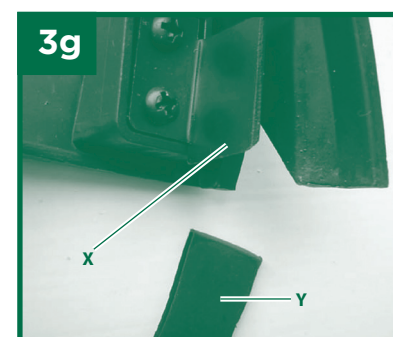
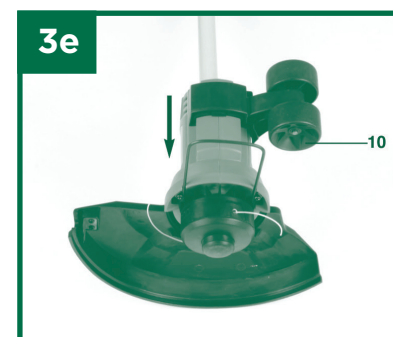
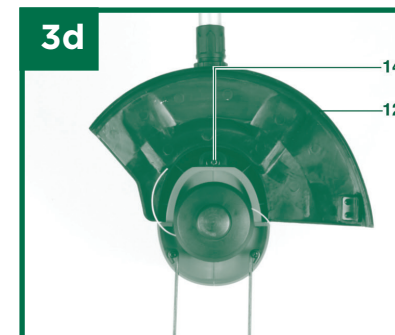
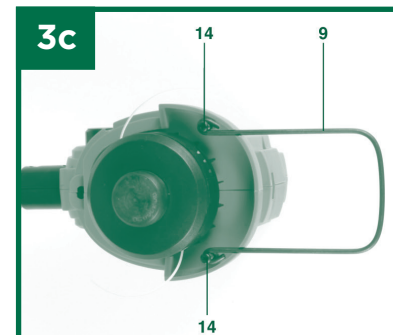
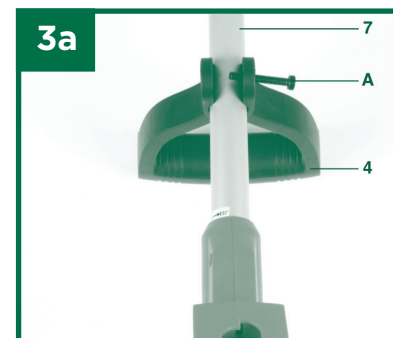
You can set your optimal working position by adjusting the height. Undo the lock (twist counter-clockwise) for the handlebar adjustment (Figure 4/Item 6). Pull out the bottom handlebar (Figure 4/Item 8) to the required length. Re-fasten the lock (twist clockwise) for the handlebar adjustment (Figure 4/Item 6).

Adjusting the additional handle:

Place the grass trimmer on a firm surface. Undo the lock of the additional handle (Fig. 3b/Item 5) and move the additional handle to its optimal position. Lock the handle in place by re-tightening the lock.

Adjusting the angle of the handlebar (Fig. 4)

When the lock is pressed (Fig. 4/Item A) you can adjust the angle of the handlebar to 4 positions. Set the angle as required. Ensure that there is an audible click when the handlebar engages.



AFTER SALES SUPPORT

GB 0151 649 1500
(Charged at local rates)
IRE 1890 946 6244

www.einhell.co.uk

MODEL NUMBER: 7446, 08/2011, GLT5529 14

AFTER SALES SUPPORT

GB 0151 649 1500
(Charged at local rates)
IRE 1890 946 6244

www.einhell.co.uk

MODEL NUMBER: 7446, 08/2011, GLT5529 15

Adjusting the top handle (Fig. 9)

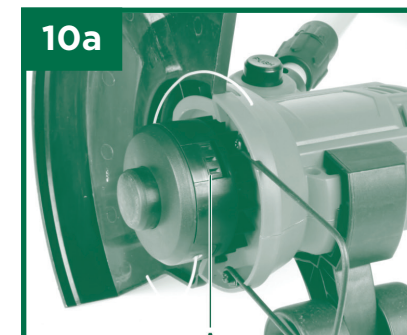
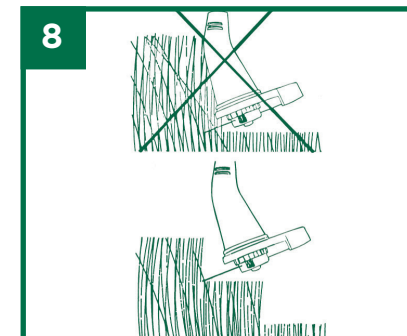
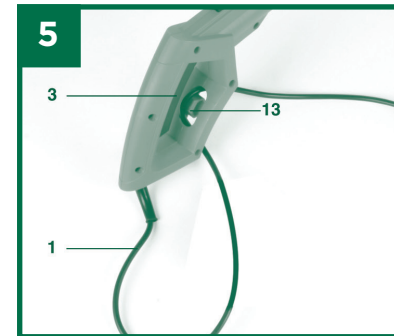
When the lock is pressed (Fig. 9/Item A) you can turn the top handle to 2 positions, for example, for cutting edges of lawns, ensure that there is an audible click when the top handle engages.

Operation

Note: If the line is too long when you use the equipment for the first time, the surplus end of it will be cut by the blade on the guard hood.

If the line is too short when you start the equipment for the first time, press the knob on the line spool and pull the line hard. When you start the equipment again, the line will be cut to the perfect length automatically.

- Your grass trimmer will work at its best if you observe the following instructions:
- Never use the grass trimmer without its safety devices.
- Do not cut grass when it is wet. The best results are had on dry grass.
- Connect the power cable to the extension cable and fasten this to the strain-relief clamp (Figure 5/ Item 13).
- To switch on your grass trimmer, press the ON/OFF switch (Fig. 5/Item 3).
- To de-activate the grass trimmer, let go of the On/Off switch (Figure 5 / Item 3).
- Do not move the grass trimmer against the grass until the switch is pressed, i.e. wait until the trimmer is running.
- For the correct cutting action, swing the grass trimmer to the side as you walk forward, holding it at an angle of approx. 30° as you do so (see Figure 6 and Figure 7).
- Make several passes to cut long grass shorter step by step from the top (see Figure 8).
- Make full use of the distance edge guide and the guide hood in order to avoid unnecessary line wear.
- Keep the grass trimmer away from hard objects in order to avoid unnecessary line wear.



AFTER SALES SUPPORT

GB 0151 649 1500
(Charged at local rates)
IRE 1890 946 6244



www.einhell.co.uk

MODEL NUMBER: 7446, 08/2011, GLT5529 16



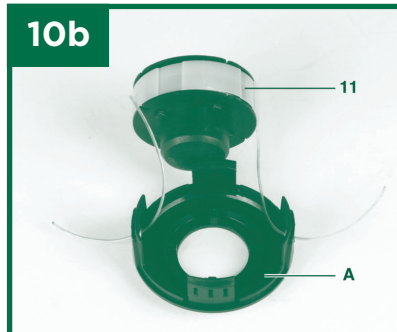
AFTER SALES SUPPORT

GB 0151 649 1500
(Charged at local rates)
IRE 1890 946 6244



www.einhell.co.uk

MODEL NUMBER: 7446, 08/2011, GLT5529 17



Using the grass trimmer as an edge trimmer (Fig. 9)

To cut the edges of lawns and flower beds, the grass trimmer can be converted as follows:

- Set the angle of the handlebar to its lowest position as previously described - see (Fig. 4/Item A)
- Turn the top handle through 90° as previously described - see (Fig. 9/Item A)

Replacing the power cable

If the power cable for this equipment is damaged, please contact our after sales support team or similarly trained personnel to avoid danger.

Cleaning, maintenance and ordering of spare parts

Always pull out the mains power plug before starting any cleaning work.

Cleaning

- Keep all safety devices, air vents and the motor housing free of dirt, debris and dust as far away as possible.
- Wipe the equipment with a clean cloth or blow it with compressed air at low pressure.
- We recommend that you clean the device immediately each time you have finished using it.

- Clean the equipment regularly with a moist cloth and some soft soap. Do not use cleaning agents or solvents; these could attack the plastic parts of the equipment. Ensure that no water can seep into the device.
- Use a brush to remove deposits from the safety guard.

Replacing the line spool

Important.

Ensure that you pull out the power plug before replacing the line spool.

- Press the sides of the spool cover as shown and remove the cover (Figure 10a).
- Remove the empty line spool.
- Thread the ends of the line on the new line spool through the eyelets in the spool cover (Fig. 10b) and allow approx. 10 cm of line to project.
- Fit the spool cover and spool back into the spool mounting.
- When you start the equipment again, the line will be cut to the perfect length automatically.

Important. Bits of the nylon line could cause injury when being flung out. use injury when being flung out.

Maintenance

There are no parts inside the equipment which require additional maintenance.

Ordering replacement parts

Please quote the following data when ordering replacement parts:

- Type of machine
- Model number of the machine (34.015.38), can be found on the product label.
- Identification number of the machine (11011), can be found on the product label.
- Replacement part number of the part required, can be found on the parts parts list (page 11 of user guide).
- For our latest prices and information please go to www.einhell.co.uk
- Spare line spool Art. no.: 34.050.70

AFTER SALES SUPPORT



GB 0151 649 1500
(Charged at local rates)
IRE 1890 946 6244



www.einhell.co.uk

MODEL NUMBER: 7446, 08/2011, GLT5529 18



GB 0151 649 1500
(Charged at local rates)
IRE 1890 946 6244



www.einhell.co.uk

MODEL NUMBER: 7446, 08/2011, GLT5529

19



For EU countries only

Never place any electric tools in your household refuse.

To comply with European Directive 2002/96/EC concerning old electric and electronic equipment and its implementation in national laws, old electric tools have to be separated from other waste and disposed of in an environment-friendly fashion, e.g. by taking to a recycling depot.

Recycling alternative to the demand to return electrical devices:
As an alternative to returning the electrical device, the owner is obliged to cooperate in ensuring that the device is properly recycled if ownership is relinquished. This can also be done by handing over the used device to a returns center, which will dispose of it in accordance with national commercial and industrial waste management legislation. This does not apply to the accessories and auxiliary equipment without any electrical components which are included with the used device

Useful Information

5

Disposal and recycling

The unit is supplied in packaging to prevent it being damaged in transit. This packaging is raw material and can therefore be re-used or can be returned to the raw material system.

The unit and its accessories are made of various types of material, such as metal and plastic. Defective components must be disposed of as special waste. Ask your dealer or your local council.

Technical data

Mains voltage	230 V ~ 50 Hz
Power	550 W
Cutting circle	Diameter 29 cm
Revolutions n_0	10,500 rpm
Cutting line diameter	1.4 mm

Sound and vibration



L_{pA} sound pressure level	85 dB(A)
K_{pA} uncertainty	3 dB
L_{WA} sound power level	94 dB(A)
K_{WA} uncertainty	3 dB

Wear ear-muffs

The impact of noise can cause damage to hearing.

Vibration emission value $a_h = 4,8 \text{ m/s}^2$
K uncertainty = $1,5 \text{ m/s}^2$

AFTER SALES SUPPORT

 **0151 649 1500**
(Charged at local rates)
 **1890 946 6244**

 www.einhell.co.uk

MODEL NUMBER: 7446, 08/2011, GLT5529 20

AFTER SALES SUPPORT

 **0151 649 1500**
(Charged at local rates)
 **1890 946 6244**

 www.einhell.co.uk

MODEL NUMBER: 7446, 08/2011, GLT5529 21

Warning!

The specified vibration value was established in accordance with a standardized testing method. It may change according to how the electric equipment is used and may exceed the specified value in exceptional circumstances.

The specified vibration value can be used to compare the equipment with other electric power tools.

The specified vibration value can be used for initial assessment of a harmful effect.

Keep the noise emissions and vibrations to a minimum.

- Only use appliances which are in perfect working order.
- Service and clean the appliance regularly.
- Adapt your working style to suit the appliance.
- Do not overload the appliance.
- Have the appliance serviced whenever necessary.
- Switch the appliance off when it is not in use.
- Wear protective gloves.

Residual risks

Even if you use this electric power tool in accordance with the instructions, certain residual risks cannot be ruled out. The following hazards may arise in connection with the equipment's construction and layout:

1. Lung damage if no suitable protective dust mask is used.
2. Damage to hearing if no suitable ear protection is used.
3. Health damage caused by hand-arm vibrations if the equipment is used over a prolonged period or it is not properly guided and maintained.

Troubleshooting guide

Fault	Possible cause	Remedy
The machine will not work	Check that the power cable is connected properly and check the mains fuses	If the machine will not work despite the voltage supply being OK, contact the customer after sales support line on 0151 649 1500, or go to www.einhell.co.uk

ISC GmbH · Eschenstraße 6 · D-94405 Landau/Isar



Declaration of conformity

- | | |
|--|--|
| <p>Ⓔ erklärt folgende Konformität gemäß EU-Richtlinie und Normen für Artikel</p> <p>Ⓕ explains the following conformity according to EU directives and norms for the following product</p> <p>Ⓗ déclare la conformité suivante selon la directive CE et les normes concernant l'article</p> <p>Ⓘ dichiara la seguente conformità secondo la direttiva UE e le norme per l'articolo</p> <p>Ⓝ verklaart de volgende overeenstemming conform EU richtlijn en normen voor het product</p> <p>Ⓘ declara la siguiente conformidad a tenor de la directiva y normas de la UE para el artículo</p> <p>Ⓗ declara a seguinte conformidade, de acordo com a directiva CE e normas para o artigo</p> <p>Ⓝ attesterer følgende overensstemmelse i medfør af EU-direktiv samt standarder for artikel</p> <p>Ⓘ förklarar följande överensstämmelse enl. EU-direktiv och standarder för artikeln</p> <p>Ⓝ vakuuttaa, että tuote täyttää EU-direktiivin ja standardien vaatimukset</p> <p>Ⓝ tõendab toote vastavust EL direktiivile ja standarditele</p> <p>Ⓗ vydává následující prohlášení o shodě podle směrnice EU a norem pro výrobek</p> <p>Ⓝ potvrjuje sledečo skladnost s smernico EU in standardi za izdelek</p> <p>Ⓝ vydáva nasledujúce prehlásenie o zhode podľa smernice EU a noriem pre výrobok</p> <p>Ⓗ a cikkhez az EU-irányvonal és Normák szerint a következő konformitást jelenti ki</p> | <p>Ⓗ deklaruje zgodność wymienionego poniżej artykułu z następującymi normami na podstawie dyrektywy WE.</p> <p>Ⓗ декларира съответното съответствие съгласно Директива на ЕС и норми за артикул</p> <p>Ⓗ paskaidro šādu atbilstību ES direktīvai un standartiem</p> <p>Ⓗ aribūdina šj atitiktīmā EU reikalavimams ir prekės normoms</p> <p>Ⓗ declară următoarea conformitate conform directivei UE și normelor pentru articolul</p> <p>Ⓗ δηλώνει την ακόλουθη συμμόρφωση σύμφωνα με την Οδηγία ΕΚ και τα πρότυπα για το προϊόν</p> <p>Ⓗ potvrđuje sljedeću usklađenost prema smjernicama EU i normama za artikl</p> <p>Ⓗ potvrđuje sljedeću usklađenost prema smjernicama EU i normama za artikl</p> <p>Ⓗ potvrđuje sledeću usklađenost prema smernicama EZ i normama za artikl</p> <p>Ⓗ следующим удостоверяется, что следующие продукты соответствуют директивам и нормам ЕС</p> <p>Ⓗ проголошує про зазначену нижче відповідність виробу директивам та стандартам ЄС на виріб</p> <p>Ⓗ ja izjavуva slednata soobraznost согласно EU-direktivata i normite za artikli</p> <p>Ⓗ Ürünü ile ilgili AB direktifleri ve normları gereğince aşağıda açıklanan uygunluğu belirtir</p> <p>Ⓗ erklærer følgende samsvar i henhold til EU-direktivet og standarder for artikkel</p> <p>Ⓗ Lýsir uppfyllingu EU-reglna og annarra staða vöru</p> |
|--|--|

Electric Grass Trimmer GLT 5529 (Gardenline)

- | | |
|---|--|
| <input type="checkbox"/> 87/404/EC_2009/105/EC | <input checked="" type="checkbox"/> 2006/42/EC |
| <input type="checkbox"/> 2005/32/EC_2009/125/EC | <input type="checkbox"/> Annex IV
Notified Body:
Notified Body No.:
Reg. No.: |
| <input type="checkbox"/> 2006/95/EC | |
| <input type="checkbox"/> 2006/28/EC | |
| <input checked="" type="checkbox"/> 2004/108/EC | <input checked="" type="checkbox"/> 2000/14/EC_2005/88/EC |
| <input type="checkbox"/> 2004/22/EC | <input type="checkbox"/> Annex V |
| <input type="checkbox"/> 1999/5/EC | <input checked="" type="checkbox"/> Annex VI
Noise: measured L _{WA} = 95 dB (A); guaranteed L _{WA} = 96 dB (A)
P = KW; L/O = cm
Notified Body: Societe Nationale de Certification
et d'Homologation S.A.R.L. (SNCH) (0499) |
| <input type="checkbox"/> 97/23/EC | |
| <input type="checkbox"/> 90/396/EC_2009/142/EC | <input type="checkbox"/> 2004/26/EC
Emission No.: |
| <input type="checkbox"/> 89/686/EC_96/58/EC | |

Standard references: EN 60335-1; EN 60335-2-91; EN 62233; EN 55014-1; EN 55014-2; EN 61000-3-2; EN 61000-3-3

Landau/Isar, den 01.03.2011

Weichselgartner/General Manager

Gao/Product-Management

First CE: 08
Art.-No.: 34.015.38 I.-No.: 11011
Subject to change without notice

Archive-File/Record: NAPR003744
Documents registrar: Alexander Scheiff
Wiesenweg 22, D-94405 Landau/Isar

AFTER SALES SUPPORT

GB 0151 649 1500
(Charged at local rates)
IRE 1890 946 6244

www.einhell.co.uk

MODEL NUMBER: 7446, 08/2011, GLT5529 22

AFTER SALES SUPPORT

GB 0151 649 1500
(Charged at local rates)
IRE 1890 946 6244

www.einhell.co.uk

MODEL NUMBER: 7446, 08/2011, GLT5529 23