

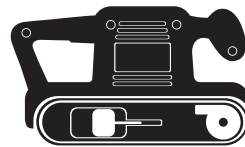
Einhell®

Ⓒ **Original operating instructions**
Belt Sander

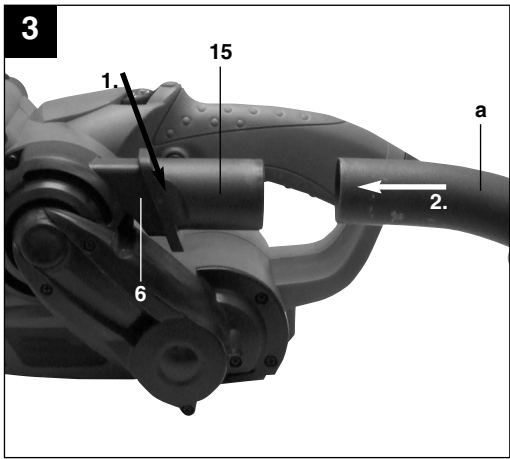
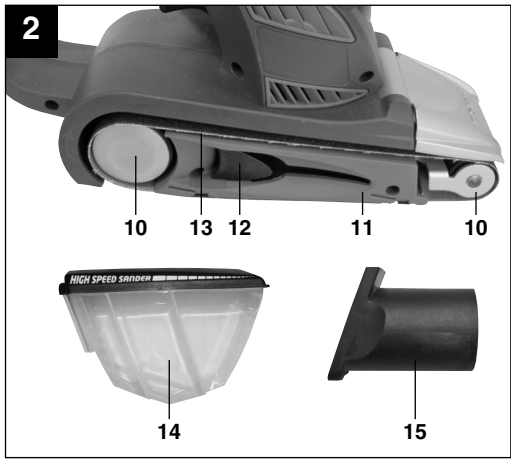
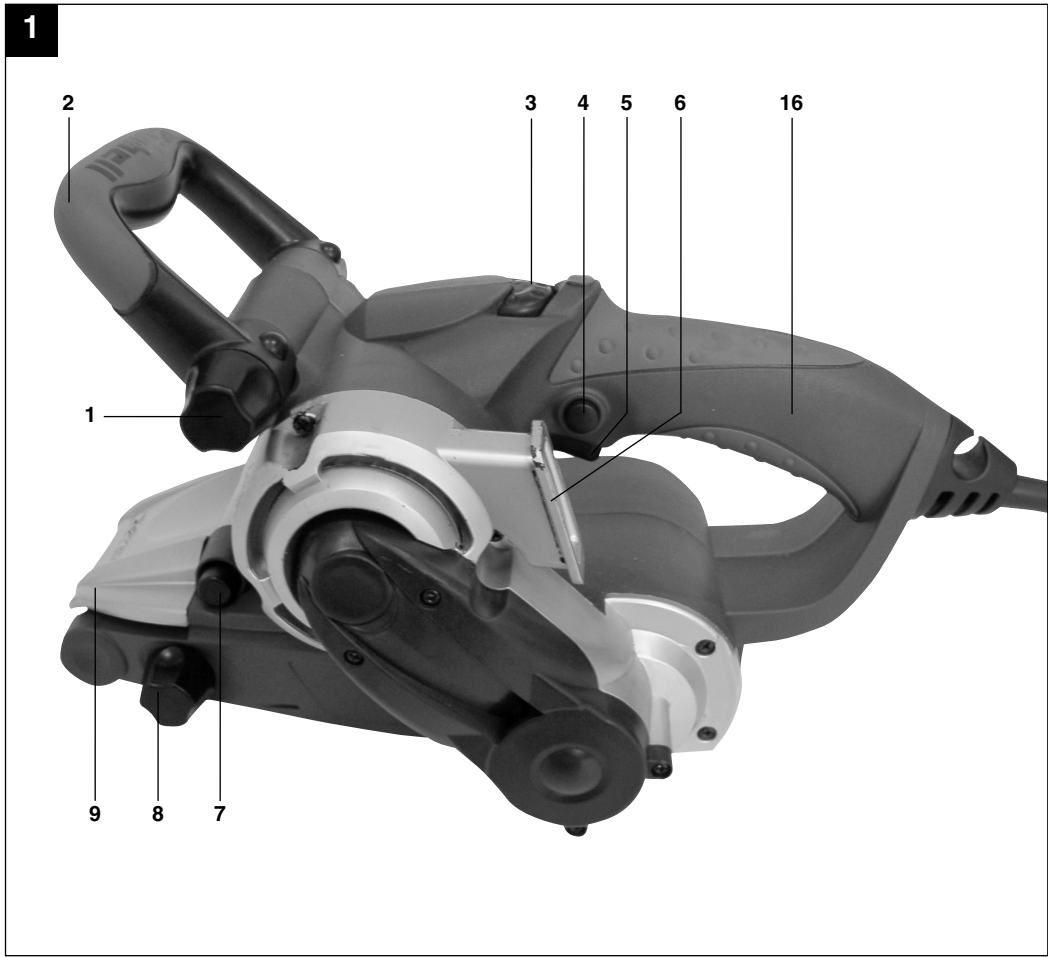
7

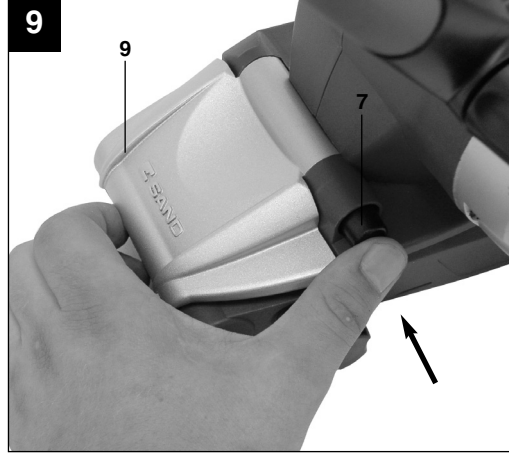
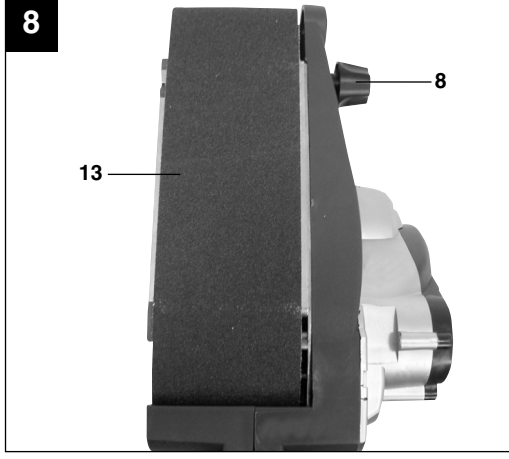
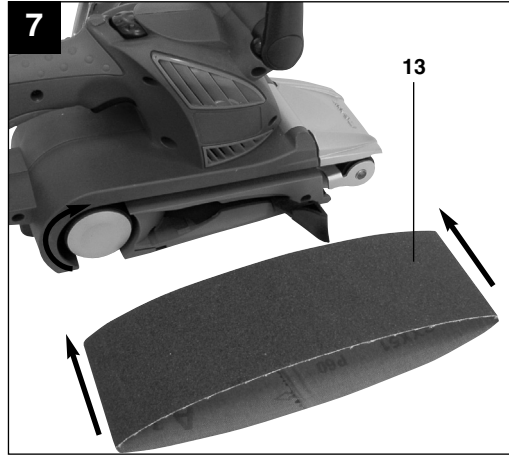
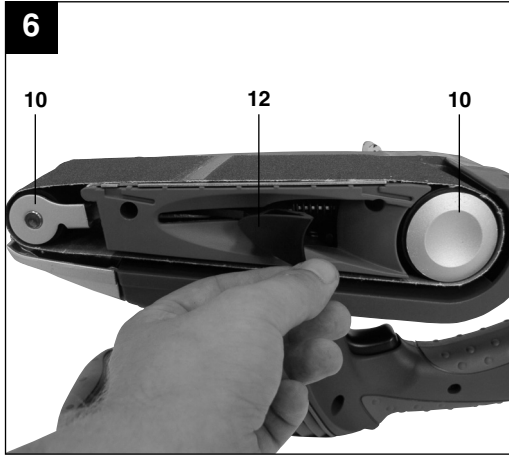
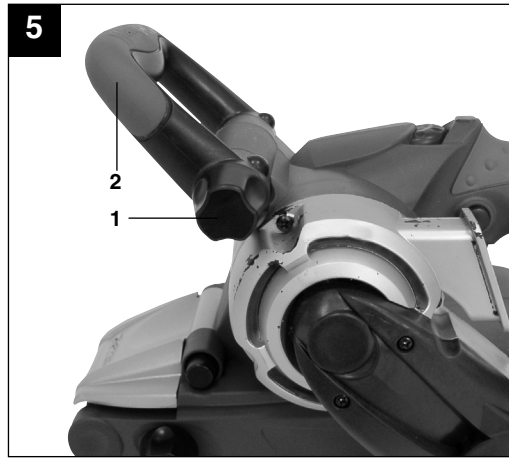
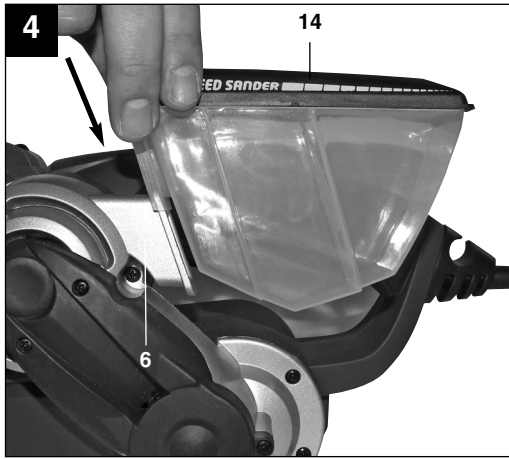
Art.-Nr.: 44.662.32

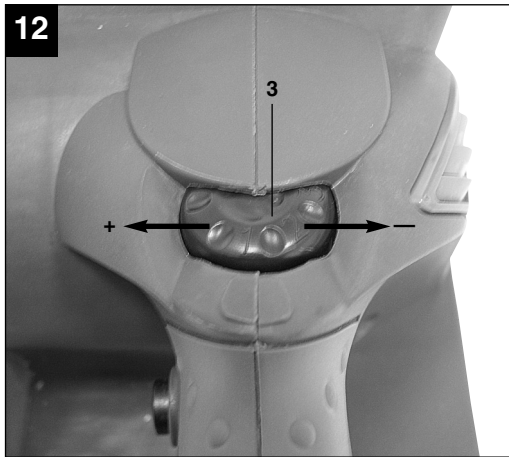
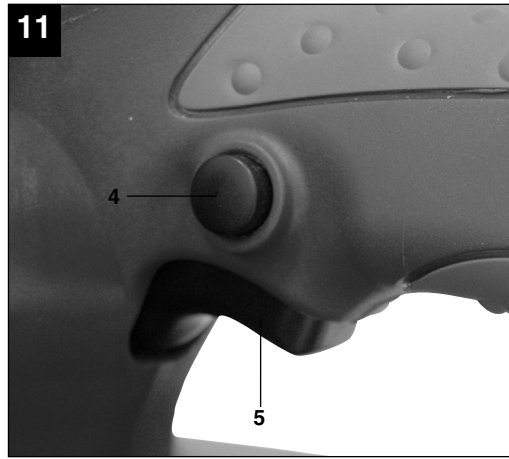
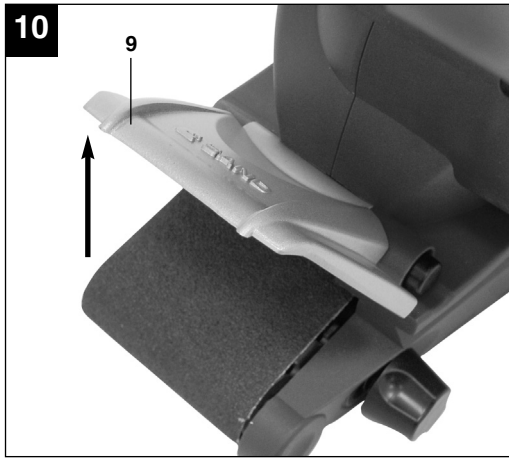
I.-Nr.: 11010



RT-BS 75









“Caution - Read the operating instructions to reduce the risk of injury”



Wear ear-muffs.

The impact of noise can cause damage to hearing.



Wear a breathing mask.

Dust which is injurious to health can be generated when working on wood and other materials. Never use the device to work on any materials containing asbestos!



Wear safety goggles.

Sparks generated during working or splinters, chips and dust emitted by the device can cause loss of sight.

GB**⚠ Important!**

When using equipment, a few safety precautions must be observed to avoid injuries and damage. Please read the complete operating manual with due care. Keep this manual in a safe place, so that the information is available at all times. If you give the equipment to any other person, give them these operating instructions as well.

We accept no liability for damage or accidents which arise due to non-observance of these instructions and the safety information.

1. Safety information

Please refer to the booklet included in delivery for the safety instructions.

⚠ CAUTION!

Read all safety regulations and instructions.

Any errors made in following the safety regulations and instructions may result in an electric shock, fire and/or serious injury.

Keep all safety regulations and instructions in a safe place for future use.

2. Layout and items supplied (Fig. 1 – 2)

1. Screw to adjust the additional handle
2. Additional handle
3. Setting wheel for belt speed
4. Locking button
5. ON/OFF switch
6. Connection for dust bag
7. Pushbutton for moving sanding/grinding belt cover
8. Setting for sanding/grinding belt adjustment
9. Moving sanding/grinding belt cover
10. Drive rollers
11. Sanding/grinding plate
12. Clamping lever for sanding/grinding belt
13. Sanding/Grinding belt
14. Dust collection box
15. Dust extractor adapter
16. Handle


3. Proper use

The belt sander/grinder is designed for sanding/grinding wood, iron, plastic and similar materials using the appropriate sanding/grinding belt.

The machine is to be used only for its prescribed purpose. Any other use is deemed to be a case of misuse. The user / operator and not the manufacturer will be liable for any damage or injuries of any kind caused as a result of this.

Please note that our equipment has not been designed for use in commercial, trade or industrial applications. Our warranty will be voided if the machine is used in commercial, trade or industrial businesses or for equivalent purposes.

4. Technical data

Mains voltage:	230 V~ 50 Hz
Power input:	850 W
Belt speed:	300-400 m/min
Sanding/Grinding belt size:	75 x 533 mm
Protection class:	II / 
Weight:	3.2 kg

Sound and vibration

Sound and vibration values were measured in accordance with EN 60745.

L_{pA} sound pressure level	88 dB(A)
K_{pA} uncertainty	3 dB
L_{WA} sound power level	99 dB(A)
K_{WA} uncertainty	3 dB

Wear ear-muffs.

The impact of noise can cause damage to hearing.

Total vibration values (vector sum of three directions) determined in accordance with EN 60745.

Handle

Vibration emission value $a_h \leq 2,5 \text{ m/s}^2$

K uncertainty = $1,5 \text{ m/s}^2$

Additional handle

Vibration emission value $a_h \leq 2,5 \text{ m/s}^2$

K uncertainty = $1,5 \text{ m/s}^2$

⚠ Important!

The vibration value changes according to the area of application of the electric tool and may exceed the specified value in exceptional circumstances.

Keep the noise emissions and vibrations to a minimum.

- Only use appliances which are in perfect working order.
- Service and clean the appliance regularly.
- Adapt your working style to suit the appliance.
- Do not overload the appliance.
- Have the appliance serviced whenever necessary.
- Switch the appliance off when it is not in use.
- Wear protective gloves.

5. Before starting the equipment

Before you connect the equipment to the mains supply make sure that the data on the rating plate are identical to the mains data.

Always pull the power plug before making adjustments to the equipment.

5.1 Dust extraction**5.1.1 Installing the dust extractor adapter (Figure 3/Item 15)**

Slide the dust extractor adapter (15) on to the connection for the dust extractor (6).

You can then connect a suitable dust extractor (a) to the dust extractor adapter (15) (dust extractor not supplied).

This will provide excellent dust extraction on the workpiece.

Check that all the parts are properly connected.

Important. The vacuum cleaner you use for the extraction work must be suitable for the workpiece material.

5.1.2 Installing the dust collection box (Figure 4/Item 14)

Push the dust collection box (14) to the dust extractor connection (6). Remove the dust collection box in reverse order.

The dust is extracted directly via the grinding/sanding belt into the dust container.

⚠ Important.

For health safety reasons it is imperative that you use a dust container or a dust extraction system via the dust extraction adaptor!

5.2 Adjusting the additional handle (Fig. 5/Item 2)

Slacken the screw (1) and move the additional handle (2) to its optimal position. Lock the additional handle (2) in place by tightening the screw (1).

5.3 Changing the sanding / grinding belt (Fig. 6-7/Item 13)

- Pull the clamping lever (12) to the outside to relieve the tension in the sanding/grinding belt.
- Pull the used sanding/grinding belt off the drive rollers.
- Slide the new sanding/grinding belt on to the drive rollers.
- Ensure that the direction of the sanding/grinding belt (arrows on the inside of the sanding/grinding belt) is identical to the direction of the belt sander/grinder (arrow over the rear drive roller).
- Press the clamping lever (12) to the rear to tension the sanding/grinding belt.

5.4 Adjusting the position of the belt (Fig. 8/Item 8)

- Hold the belt sander/grinder with the sanding/grinding plate at the top.
- Switch on the belt sander/grinder.
- By turning the setting screw (8) the belt position should be set so that the sanding/grinding belt is at the center of the two drive rollers.

5.5 Moving sanding/grinding belt cover (Fig. 9 – 10/Item 9)**Important.**

The moving sanding/grinding belt cover may only be swung upwards if the pushbutton (7) has been pressed.

- Press the pushbutton (7) and at the same time swing the cover (9) upwards.
- Release the pushbutton.
- The cover will lock in its end position.
- To swing the cover back down again, press the pushbutton (7) again. The cover can then be swung downwards.

GB

6. Starting up

6.1 Switching ON/OFF (Fig. 11)

To switch on:

Press the ON/OFF switch (5).

Continuous operation:

Secure the switch (5) with the locking button (4).

To switch off:

Press the ON/OFF switch (5) briefly.

The machine can be operated on a temporary or permanent setting.

6.2 Setting the belt speed (Fig. 12/Item 3)

You can select the belt speed by turning the setting knob (3).

PLUS direction:

Increase belt speed

MINUS direction:

Reduce belt speed

6.3 Instructions for use

Important. Never hold the workpiece you wish to sand/grind in your hands. Secure the workpiece on a sturdy surface or using a vise.

- Allow the belt sander/grinder to start before you place it on the workpiece.
- Do not switch off the belt sander/grinder as long as the sanding/grinding belt is in contact with the workpiece.
- Always hold the belt sander/grinder with both hands whilst it is in use.
- Always sand wood in the direction of the grain.

7. Replacing the power cable

If the power cable for this equipment is damaged, it must be replaced by the manufacturer or its after-sales service or similarly trained personnel to avoid danger.

8. Cleaning, maintenance and ordering of spare parts

Always pull out the mains power plug before starting any cleaning work.

8.1 Cleaning

- Keep all safety devices, air vents and the motor housing free of dirt and dust as far as possible. Wipe the equipment with a clean cloth or blow it with compressed air at low pressure.
- We recommend that you clean the device immediately each time you have finished using it.
- Clean the equipment regularly with a moist cloth and some soft soap. Do not use cleaning agents or solvents; these could attack the plastic parts of the equipment. Ensure that no water can seep into the device.

8.2 Carbon brushes

In case of excessive sparking, have the carbon brushes checked only by a qualified electrician. Important! The carbon brushes should not be replaced by anyone but a qualified electrician.

8.3 Maintenance

There are no parts inside the equipment which require additional maintenance.

8.4 Ordering replacement parts

Please quote the following data when ordering replacement parts:

- Type of machine
- Article number of the machine
- Identification number of the machine
- Replacement part number of the part required

9. Disposal and recycling

The unit is supplied in packaging to prevent its being damaged in transit. This packaging is raw material and can therefore be reused or can be returned to the raw material system.

The unit and its accessories are made of various types of material, such as metal and plastic.

Defective components must be disposed of as special waste. Ask your dealer or your local council.

The guarantee provided in this Guarantee Certificate is given by Einhell Australia Pty Limited
ACN 134 632 858 of 6/166 Wellington Street, Collingwood, Victoria (Telephone number 1300 922 271)
(Einhell Express Guarantee).

GUARANTEE CERTIFICATE

Dear Customer,

All of our products undergo strict quality checks. In the unlikely event that your device develops a fault, please contact our service department at the address shown on this guarantee certificate. Of course, if you would prefer to call us then we are also happy to offer our assistance under the service number printed below. Please note the following terms under which claims under the Einhell Express Guarantee can be made:

1. The benefits conferred by the Einhell Express Guarantee are in addition to all rights and remedies which you may be entitled to under the Australian Consumer Law, and any other statutory rights you may have under other applicable laws. This Einhell Express Guarantee does not exclude, restrict or modify any such rights or remedies.

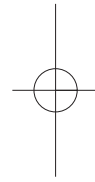
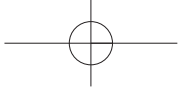
We do not charge you for the Einhell Express Guarantee.

2. Our goods come with guarantees that cannot be excluded under the Australian Consumer Law. You are entitled to a replacement or refund for a major failure and for compensation for any other reasonably foreseeable loss or damage. You are also entitled to have the goods repaired or replaced if the goods fail to be of acceptable quality and the failure does not amount to a major failure.
3. The Einhell Express Guarantee only covers problems caused by material or manufacturing defects, and our liability under the Einhell Express Guarantee is limited, at our discretion, to the rectification of these defects or replacement of the product. Please note that the product has not been designed for use in commercial, trade or industrial applications. Consequently, the Einhell Express Guarantee will not apply if the product is used in commercial, trade or industrial applications or for other equivalent activities.
4. The following are also excluded from the Einhell Express Guarantee: compensation for transport damage, damage caused by failure to comply with the installation/assembly instructions or damage caused by unprofessional installation, failure to comply with the operating instructions (e.g. connection to the wrong mains voltage or current type), misuse or inappropriate use (such as overloading of the product or use of non-approved tools or accessories), failure to comply with the maintenance and safety regulations, ingress of foreign bodies into the product (e.g. sand, stones or dust), effects of force or external influences (e.g. damage caused by the product being dropped) and normal wear resulting from proper operation of the product. The Einhell Express Guarantee will also not apply if any attempt is made to tamper with the product.
5. The Einhell Express Guarantee is valid for a period of 2 years starting from the purchase date of the product. Claims made under the Einhell Express Guarantee should be submitted before the end of this guarantee period and within two weeks of the defect being noticed. No claims under the Einhell Express Guarantee will be accepted if submitted after the end of this guarantee period. The original guarantee period remains applicable to the device even if repairs are carried out or parts are replaced. In such cases, the work performed or parts fitted will not result in an extension of the guarantee period for the Einhell Express Guarantee, and the Einhell Express Guarantee will not apply for the work performed or parts fitted. This also applies when an on-site service is used.
6. To make a claim under the Einhell Express Guarantee, please send the relevant product postage-free to the address shown below and enclose either the original or a copy of your sales receipt or another dated proof of purchase. It would help us if you could describe the nature of the problem in as much detail as possible. If the defect is covered by the Einhell Express Guarantee, your product will be repaired immediately and returned to you, or we will send you a new device (at our election).

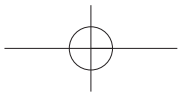
Any costs incurred by you in making a claim under this Einhell Express Guarantee, unless specified otherwise in this guarantee certificate, must be borne by you.

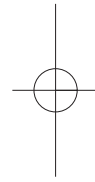
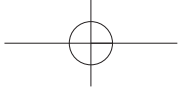
Of course, we are also happy to offer a chargeable repair service for any defects which are not covered by the scope of the Einhell Express Guarantee or for products which are no longer covered by the Einhell Express Guarantee. To take advantage of this service, please send the product to our service address.

EINHELL AUSTRALIA PTY LTD
6/166 Wellington Street
Collingwood VIC 3066
Australia
Phone: 1300 922 271

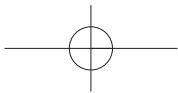


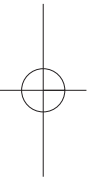
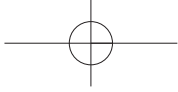
EH 04/2012 (02)





EH 04/2012 (02)





EH 04/2012 (02)

