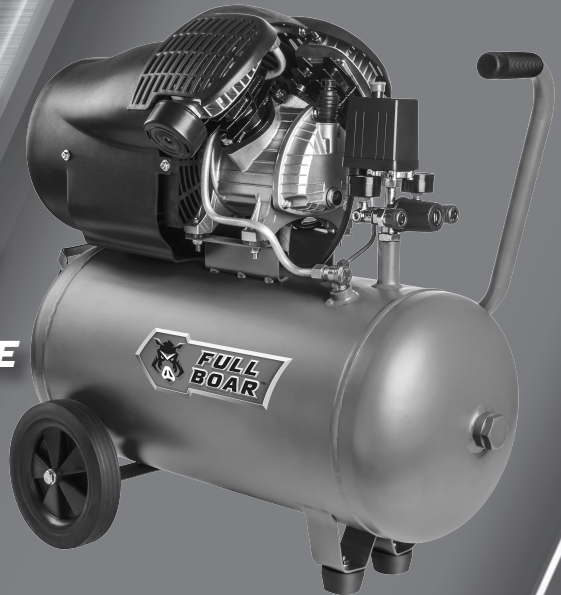




V-TWIN AIR COMPRESSOR

- **3.0HP, 50L TANK**
- **164L/MIN FREE AIR DELIVERY**
- **DUAL PRESSURE GAUGES**
- **10 BAR PRESSURE**
- **2 AIR OUTLETS**



ORIGINAL INSTRUCTIONS

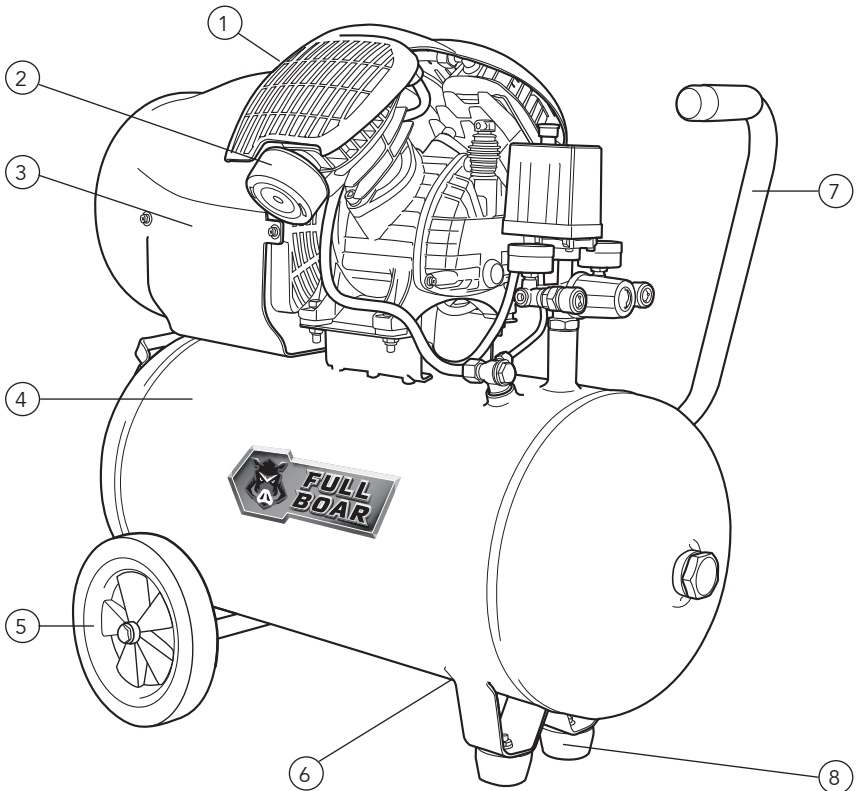


WARNING: Read all safety warnings and instructions before use. Failure to follow the warnings and instructions may result in electric shock, fire and/or serious injury. Save these instructions for future reference.

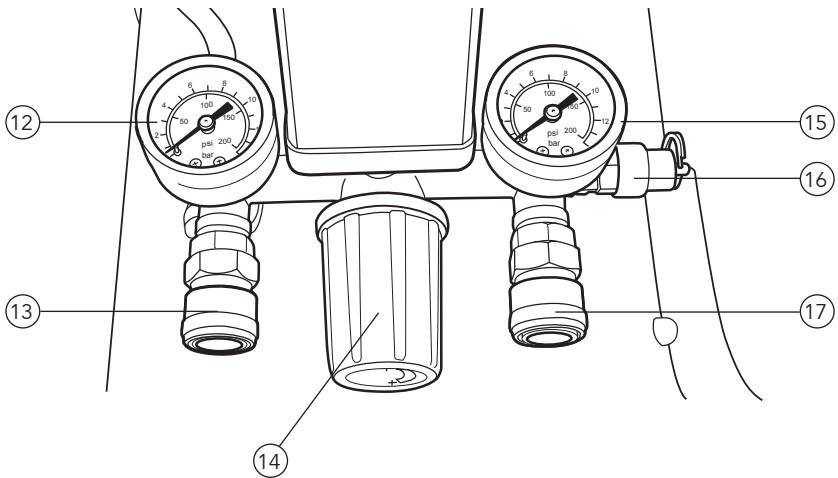
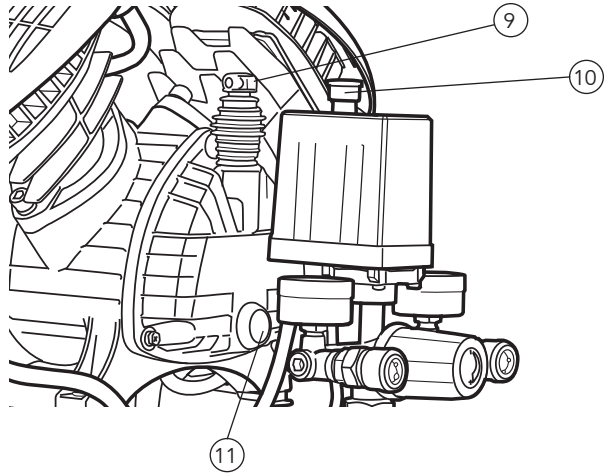
SPECIFICATIONS - MODEL NO. FBACVT-5030U

Mains Voltage:	230V ~ 50Hz
Input Power:	2200W (3HP)
No Load Speed:	2850 /min
Free Air Delivery (FAD):	164 l/min
Tank Volume:	50 l
Max. Working Pressure:	10 bar (145 psi)
Oil:	SAE 15W40 / L-DAB-46-A
IP Rating	IP20
Weight:	46 kg
Free Air Delivery:	The free air delivery value was measured in accordance with Clause 4.2 of AS 4637

KNOW YOUR PRODUCT



KNOW YOUR PRODUCT (cont.)



1. Overload Switch
2. Intake Air Filter
3. Motor Housing
4. Pressure Tank
5. Wheels
6. Drainage Valve for Condensed Water
7. Transportation Handle
8. Feet
9. Air Breather (oil filler opening)
10. ON/OFF Switch

11. Oil Drainage Screw / Oil level window
12. Regulated Output Pressure Gauge
13. Quick-lock Coupling (regulated compressed air)
14. Pressure Regulator
15. Tank Pressure Gauge
16. Safety Relief Valve
17. Quick-lock Coupling (unregulated compressed air)

TABLE OF CONTENTS

SPECIFICATIONS.....	Page 02
KNOW YOUR PRODUCT.....	Page 02
INTRODUCTION.....	Page 05
SAFETY INSTRUCTIONS.....	Page 05
ASSEMBLY.....	Page 10
OPERATION.....	Page 13
MAINTENANCE.....	Page 15
TROUBLE SHOOTING.....	Page 17
DESCRIPTION OF SYMBOLS.....	Page 18
CONTENTS.....	Page 18
WARRANTY.....	Page 20

INTRODUCTION

Congratulations on purchasing a Full Boar V-Twin Air Compressor.

The Full Boar V-Twin Air Compressor provides the user with a wide range of options while combining solid performance output. The air compressor delivers a high efficient flow rate and is ideal for applications up to 10 bar.

SAFETY INSTRUCTIONS



WARNING! When using mains-powered equipment, basic safety precautions, including the following, should always be followed to reduce risk of fire, electric shock, personal injury and material damage.

Read and understand the manual prior to operating this tool.

Save these instructions and other documents supplied with this tool for future reference.

ELECTRICAL SAFETY

Before you connect the equipment to the mains supply make sure that the data on the rating plate are identical to the mains data.

The power supply for this product should be protected by a residual current device (rated at 30mA or less). A residual current device reduces the risk of electric shock.

If the supply cord is damaged, it must be replaced by an electrician or a power tool repairer in order to avoid a hazard.

Using an Extension Lead

Always use an approved extension lead suitable for the power input of this tool. Before use, inspect the extension lead for signs of damage, wear and ageing. Replace the extension lead if damaged or defective. When using an extension lead on a reel, always unwind the lead completely. Use of an extension lead not suitable for the power input of the tool or which is damaged or defective may result in a risk of fire and electric shock.

GENERAL POWER TOOL SAFETY WARNINGS



WARNING! Read all safety warnings and instructions. Failure to follow all instructions listed below may result in electric shock, fire and/or serious injury. The term "Power Tool" in all of the warnings listed below refers to your mains operated (corded) power tool or battery operated (cordless) power tool.

SAVE THESE INSTRUCTIONS

1. Work area safety

- a. Keep work area clean and well lit. Cluttered or dark areas invite accidents.
- b. Do not operate power tools in explosive atmospheres, such as in the presence of flammable liquids, gases or dust. Power tools create sparks which may ignite the dust or fumes.
- c. Keep children and bystanders away while operating a power tool. Distractions can cause you to lose control.

2. Electrical safety

- a. Power tool plugs must match the outlet. Never modify the plug in any way. Do not use any adapter plugs with earthed (grounded) power tools. Unmodified plugs and matching outlets will reduce risk of electric shock.
- b. Avoid body contact with earthed or grounded surfaces, such as pipes, radiators, ranges and refrigerators. There is an increased risk of electric shock if your body is earthed or grounded.
- c. Do not expose power tools to rain or wet conditions. Water entering a power tool will increase the risk of electric shock.
- d. Do not abuse the cord. Never use the cord for carrying, pulling or unplugging the power tool. Keep cord away from heat, oil, sharp edges or moving parts. Damaged or entangled cords increase the risk of electric shock.
- e. When operating a power tool outdoors, use an extension cord suitable for outdoor use. Use of a cord suitable for outdoor use reduces the risk of electric shock.
- f. If operating a power tool in a damp location is unavoidable, use a residual current device (RCD) protected supply. Use of an RCD reduces the risk of electric shock.

3. Personal safety

- a. Stay alert, watch what you are doing and use common sense when operating a power tool. Do not use a power tool while you are tired or under the influence of drugs, alcohol or medication. A moment of inattention while operating power tools may result in serious personal injury.
- b. Use personal protective equipment. Always wear eye protection. Protective equipment such as a dust mask, non-skid safety shoes, a hard hat, or hearing protection used for appropriate conditions will reduce personal injuries.
- c. Prevent unintentional starting. Ensure the switch is in the off-position before connecting to power source and/or battery pack, picking up or carrying the tool. Carrying power tools with your finger on the switch or energising power tools that have the switch on invites accidents.

GENERAL POWER TOOL SAFETY WARNINGS (cont.)

- d. Remove any adjusting key or wrench before turning the power tool on. A wrench or a key left attached to a rotating part of the power tool may result in personal injury.
- e. Do not overreach. Keep proper footing and balance at all times. This enables better control of the power tool in unexpected situations.
- f. Dress properly. Do not wear loose clothing or jewellery. Keep your hair, clothing and gloves away from moving parts. Loose clothes, jewellery or long hair can be caught in moving parts.
- g. If devices are provided for the connection of dust extraction and collection facilities, ensure these are connected and properly used. Use of dust collection can reduce dust-related hazards.

4. Power tool use and care

- a. Do not force the power tool. Use the correct power tool for your application. The correct power tool will do the job better and safer at the rate for which it was designed.
- b. Do not use the power tool if the switch does not turn it on and off. Any power tool that cannot be controlled with the switch is dangerous and must be repaired.
- c. Disconnect the plug from the power source and/or the battery pack from the power tool before making any adjustments, changing accessories, or storing power tools. Such preventive safety measures reduce the risk of starting the power tool accidentally.
- d. Store idle power tools out of the reach of children and do not allow persons unfamiliar with the power tool or these instructions to operate the power tool. Power tools are dangerous in the hands of untrained users.
- e. Maintain power tools. Check for misalignment or binding of moving parts, breakage of parts and any other condition that may affect the power tools operation. If damaged, have the power tool repaired before use. Many accidents are caused by poorly maintained power tools.
- f. Keep cutting tools sharp and clean. Properly maintained cutting tools with sharp cutting edges are less likely to bind and are easier to control.
- g. Use the power tool, accessories and tool bits etc. in accordance with these instructions, taking into account the working conditions and the work to be performed. Use of the power tool for operations different from those intended could result in a hazardous situation.

5. Service

- a. Have your power tool serviced by a qualified repair person using only identical replacement parts. This will ensure that the safety of the power tool is maintained.

AIR COMPRESSOR SAFETY WARNINGS

This appliance is not intended for use by young or infirm persons unless supervised by a responsible person to ensure that they can use the appliance safely. Young children should be supervised to ensure that they do not play with the appliance.



WARNING! Before connecting a tool to a power source (mains switch power point receptacle, outlet, etc.) be sure that the voltage supply is the same as that specified on the nameplate of the tool. A power source with a voltage greater than that specified for the tool can result in serious injury to the user, as well as damage to the tool. If in doubt, do not plug in the tool. Using a power source with a voltage less than the nameplate rating is harmful to the motor.

Always remove the plug from the mains socket before making any adjustments or maintenance.

- To reduce the risk of fire or explosion, never spray flammable liquids in a confined area. It is normal for the compressor motor and pressure switch to produce sparks during use. If sparks come into contact with petrol vapours or solvents, they may ignite the vapours and cause a fire or explosion.
- Always operate the compressor in a well ventilated area. Do not smoke while spraying. Do not spray where sparks or flames are present. Keep the compressor as far away from the spray area as possible.
- The solvents trichloroethane and methylene chloride can chemically react with the aluminium used in some paint spray guns and form an explosion. If these solvents are used, ensure that only stainless steel spray equipment is connected. The compressor is not affected by the use of these solvents.
- Never directly inhale the compressed air produced by a compressor and do not use it for charging breathing tanks.
- Do not use welding equipment in close proximity to the compressor. Do not weld anything to the air tank of the compressor: this could dangerously weaken the tank and will void the warranty.
- Do not use the compressor outdoors when it is raining or on a wet surface; either situation could cause an electric shock.
- Always shut off the compressor after use and before servicing. Push the on/off knob down, wait for the pressurised air to bleed from the tank from the safety valve and then remove the electrical plug from the power supply.
- Check the maximum pressure rating of any tools or accessories that you intend to use with the compressor. The output pressure of the air from the compressor must be regulated so that it never exceeds the rated pressure of the tool or accessory.
- To avoid the risk of burns and injury from moving parts, do not operate the compressor with the safety shield removed. Allow hot parts to cool before handling or servicing.
- Be certain to read all the labels on the containers of paint or other materials to be sprayed. Closely follow all safety instructions. Use a respirator mask if there is a chance that you might otherwise inhale the spray material. Carefully check the effectiveness of any respirator mask you intend using.
- Always wear safety goggles or glasses when using the air compressor. Never point the nozzle of an accessory towards any part of your body or towards another person.
- Do not attempt to adjust the pressure switch or the release valve located under the pressure switch cover.
- Drain the moisture from the tank after use. It will help prevent corrosion.

AIR COMPRESSOR SAFETY WARNINGS (cont.)

- Pull the ring on the safety valve daily to ensure that it operating properly and to clear any possible debris from the outlet.
- Keep the compressor at least 300mm from the nearest wall to ensure adequate ventilation for cooling purposes.
- Before transporting the compressor make sure that the pressurised air is bled from the tank and that the compressor is firmly secured.
- Protect the air hose and cordset from damage. Inspect for weak or worn spots regularly and replace if necessary.
- Avoid using an extension cord with this product. Use additional air hose instead of an extension cord to prevent power loss and possible damage to the motor.
- After long working periods external metal parts could be hot.
- Always press the on/off button down to switch off the compressor before switching off the power or removing the power plug.
- After using the compressor, switch off the on/off button, disconnect the power supply and open the outlet valve to release the pressure.
- Never attempt to remove any part of the compressor whilst the tank is under pressure.

Wear goggles, wear earmuffs, wear a breathing mask

Never apply the outlet air of this compressor directly on to any part of a persons body. Do not attempt to block the air outlet with your finger or any part of your body.

The tool must be used only for its prescribed purpose. Any use other than those mentioned in this Manual will be considered a case of misuse. The user and not the manufacturer shall be liable for any damage or injury resulting from such cases of misuse.

The manufacturer shall not be liable for any changes made to the tool nor for any damage resulting from such changes.

Even when the tool is used as prescribed it is not possible to eliminate all residual risk factors. The following hazards may arise in connection with the tools construction and design:

- Damage to the lungs if an effective breathing mask is not worn.
- Damage to hearing if effective earmuffs are not worn.
- Damage to the eyes if effective safety goggles or shield are not worn.



WARNING! In the event that an air line is cut or broken, the air supply must be turned off at the compressor. A broken air line which is not supported is extremely dangerous and can whip around very quickly, both with the capability of striking people, and blowing foreign particles into the air.

Do not attempt to catch the air line but immediately keep bystanders well clear and turn off the air supply to the hose, turn off the compressor at the On / Off button, and then remove the hose from the compressor.

ASSEMBLY



WARNING! During assembly ensure the air compressor is switched OFF and disconnected from the power supply.

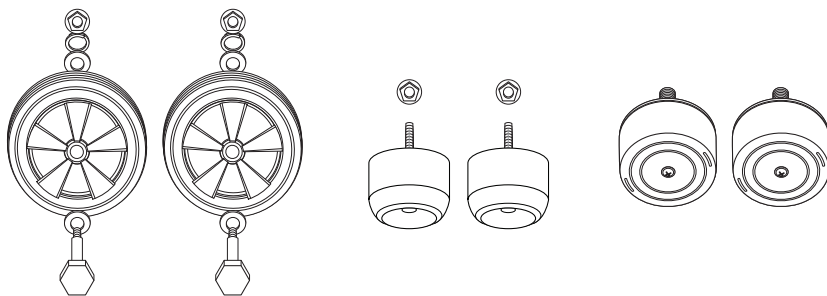
Pre setup checks

Examine the machine for signs of transit damage. If there are any signs of damage, please contact the Customer Service Helpline:

GB 0151 294 4488

IRL 1850 882711

- The compressor should be set up near the working area.
- Avoid long air lines and long supply lines (extensions). It is preferable to use longer airlines than longer supply lines if extension is needed.
- Make sure the intake air is dry and dust-free.
- Do not set up the compressor in damp or wet areas.
- The compressor may only be used in suitable areas (with good ventilation and an ambient temperature from 5°C to +40°C). There must be no dust, acids, vapours, explosive gases or flammable gases in the room.
- Your compressor pump is shipped with oil but must be checked before putting the equipment into operation.



Accessories

2x Wheel Bolts

2x Wheels

4x Washers

2x Spring Washer

2x Hex Nuts

2x Support Feet

2x Hex Nuts

2x Air Filter Assemblies

ASSEMBLY (cont.)

Fitting the wheels (5) (Fig. 1):

1. Place the bolt through one wheel and then a washer. Now through the hole in the wheel bracket, below the tank.
2. Fasten the wheel bolt in position with a washer, spring washer and nut.
3. Repeat steps 1 and 2 to fit the second wheel on the opposite side of the tank.

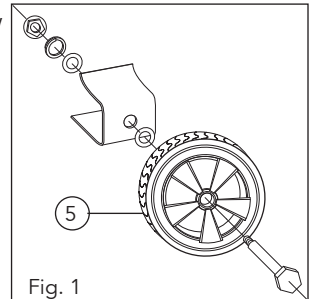


Fig. 1

Fitting the supporting feet (8) (Fig. 2):

1. Place the support foot bolt up through the hole in the supporting bracket.
2. Secure the support foot in place with the nut.
3. Repeat steps 1 and 2 to fit the second foot.

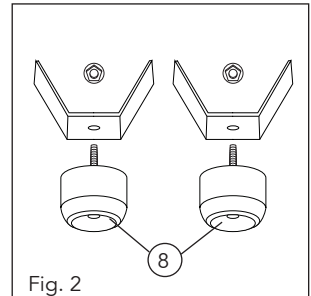


Fig. 2

Replacing the air breather (9) (Fig. 3):

1. Remove the transportation plug from the oil filler opening with a screwdriver
2. Screw the supplied air breather into the oil filler opening.

Note: The compressor pump is shipped with oil but must be checked before putting the equipment into operation. Refer page 15 "Check the oil level at regular intervals"

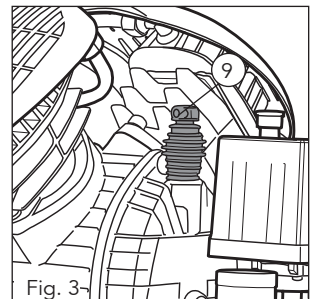


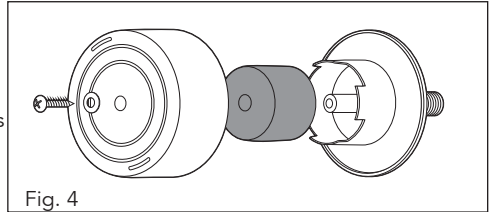
Fig. 3

ASSEMBLY (cont.)

Assembly of the intake air filter (2) (Fig. 4):

The intake air filters should come pre assembled. However if assembly is needed follow the instructions below.

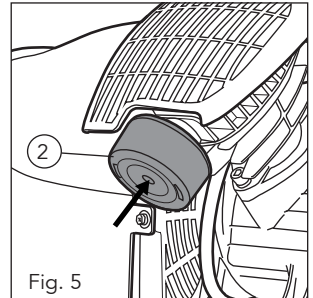
1. First place the foam pad into the recess in the lower half. Then place the cover onto the lower section.



2. Secure the assembly by tightening the screw into the top of the filter.

Installation of the intake air filter (2) (Fig. 5)

1. Remove the shipping plug with a screwdriver or similar
2. Screw the assembled intake air filter securely to the compressor by rotating it clockwise
3. Repeat this process for the second intake air filter.



IMPORTANT! Never use the air compressor without a filter. Check that the filter is securely fitted at all times.

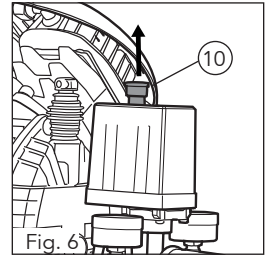
OPERATION



WARNING! This air compressor must be used with a residual current device with a rated residual current of 30mA or less.

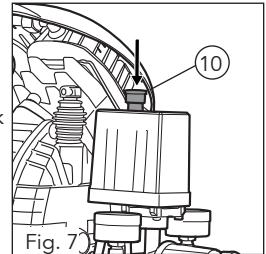
Switching ON/OFF.

1. To switch the compressor On, pull up the switch (10) (Fig. 6).



2. To switch the compressor Off, press the switch down (Fig. 7).

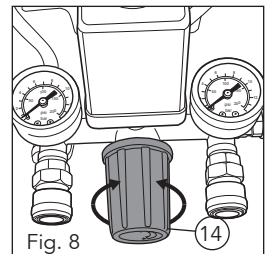
Note: The compressor will automatically cut off when the tank pressure reaches 10 bar and will automatically start when the tank pressure drops to 8 bar.



Adjusting the pressure (Fig. 8)

The output pressure of the quick-lock coupling can be regulated to suit the air tool connected and the task at hand.

1. To do so, first back the pressure off by turning the pressure regulator (14) anti-clockwise.
2. Set the pressure by turning the pressure regulator clockwise until the desired pressure is met on the regulated pressure gauge (left).



IMPORTANT! The motor is fitted with an overload switch. If the compressor overloads, the overload switch switches off the equipment automatically to protect the compressor from overheating. If the overload switch triggers, switch off the compressor using the ON/OFF switch and wait until the compressor cools down. Then press the overload switch and restart the compressor.

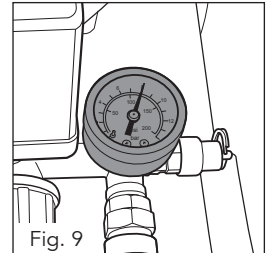
OPERATION (cont.)



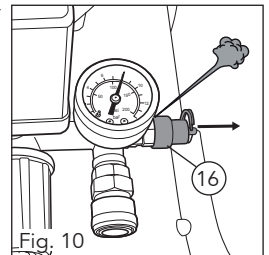
WARNING! Wear safety glasses and ear protection. Keep your face away from the safety valve when carrying out this check. Air will be discharged at a high pressure.

Checking the safety relief valve (16)

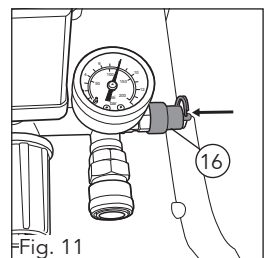
1. Check that the safety relief valve is in working order before every use. Turn compressor on until the switch off pressure (10 bar) is reached (Fig. 9).



2. Hold the ring on the safety relief valve and pull it outwards. Air should discharge from the valve (Fig. 10).



3. When the ring on the safety relief valve is released the air discharge should stop. (Fig. 11).



WARNING! Do not use the compressor if the safety valve does not work as described.

MAINTENANCE



IMPORTANT! Before cleaning your air compressor or carrying out any maintenance procedure, make sure that it is disconnected from the power supply to prevent accidental starting.

Cleaning

- Keep the safety devices free of dirt and dust as much as possible. Wipe the equipment with a clean cloth or blow it with compressed air at low pressure.
- We recommend that you clean the appliance immediately after you use it.
- Clean the appliance regularly with a damp cloth and some soft soap. Do not use cleaning agents or solvents; these may be aggressive to the plastic parts in the appliance. Ensure that no water can get into the interior of the appliance.
- You must disconnect the hose and any spraying tools from the compressor before cleaning. Do not clean the compressor with water, solvents or the like.

Removing Condensed water



CAUTION! Bleed all air pressure from the tank before opening drain valve.



WARNING! Take care when discharging air through the safety valve, drain plug or air outlet. The discharge air can cause dust, stones or any other foreign particles to be blown through the air at high pressure.

The condensation water must be drained off after each use by opening the drain valve (6) (on the bottom of the pressure tank).



IMPORTANT! The condensation water from the pressure vessel will contain residual oil. Dispose of the condensation water in an environmentally compatible manner at the appropriate collection point.

Safety relief valve (16)

The safety relief valve has been set for the highest permitted pressure of the pressure tank. It is prohibited to adjust the safety relief valve or remove its seal.

Check the oil level at regular intervals

Place the compressor on a level and straight surface. The oil level must be between the two marks MAX and MIN on the oil level window (11) (Fig. 12).

Recommended lubricating oil: SAE 15W/40 or an alternative of the same quality. On the market also a special compressor oil with the oil type name: L-DAB-46-A is available. Do not mix up different oils when refilling. It should be refilled for the first time after 100 hours of operation. Thereafter the oil should be drained and refilled after every 500 hours in service.

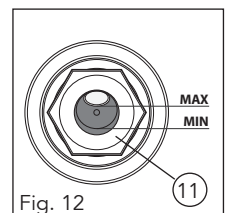


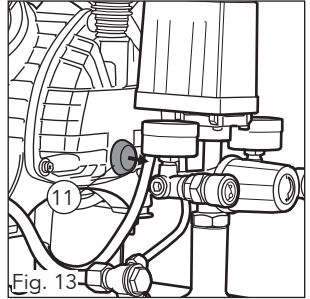
Fig. 12

MAINTENANCE (cont.)

Changing the oil

1. Switch off the compressor and pull the mains plug out of the socket.
2. After releasing any air pressure, you can unscrew the oil drainage screw (11) from the compressor pump (Fig. 13).

Note: To prevent the oil from running out in an uncontrolled manner, hold a funnel under the opening and collect the oil in a vessel. If the oil does not drain out completely, we recommend tilting the compressor slightly.

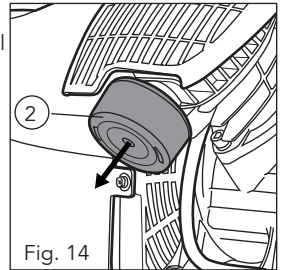


3. Dispose of the used oil in accordance with local laws.
4. When the oil has drained out, re-fit the oil drainage screw. Remove the air breather and fill new oil through the oil filler opening until it comes up to the required level.
5. Then replace the air breather.

Cleaning the intake air filter (2)

The air intake filter prevents dust and dirt being drawn in. It is essential to clean this filter after at least every 300 hours in service. A clogged intake filter will decrease the compressors performance dramatically.

1. Remove the air intake filter from the compressor and undo the screw on the top of the air filter as shown in Fig. 14.
2. You can then remove the filter pad from the two halves of the plastic housing, tap it to remove the dirt, blast it down with low-pressure compressed air (approx. 3 bar) and re-insert it. Refer to page 12, Fig. 4, "Assembly of the air filter" for further information.



Storage








Pull the mains plug out of the socket and ventilate the appliance and all connected pneumatic tools. Switch off the compressor and make sure that it is secured in such a way that it cannot be started up again by any unauthorised person. Store the compressor only in a dry location which is not accessible to unauthorised persons. Always store upright, never tilted!

Note: Ozito Industries will not be responsible for any damage or injuries caused by the repair of the tool by an unauthorised person or by mishandling of the tool.

TROUBLE SHOOTING

Symptom	Possible Cause	Suggested Solution
The compressor does not start	Compressor has reached cut-out pressure	Compressor will automatically start once below the cut-in pressure
	No power supply	Check the power supply, the power plug and the socket-outlet.
	Insufficient supply power	Reduce length of extension lead.
	Outside temperature is too low	Never operate with an outside temperature of below 5°C.
	Motor is overheated	Allow the motor to cool down. If necessary, remedy the cause of the overheating.
	Overloaded	Reset overload switch
The compressor starts but there is no pressure	Leak in the non-return valve	Replace the non-return valve
	The seals are damaged.	Check the seals and have any damaged seals replaced by a service centre
	The drainage valve leaks.	Ensure it is shut off properly.
The compressor starts, pressure is shown on the pressure gauge, but no pressure to the air tool.	Loose hose connections	Check the compressed air hose and tools and replace if necessary.
	Leak in a quick-lock coupling	Check the quick-lock coupling and replace if necessary.
	Insufficient pressure set on the pressure regulator.	Open the pressure regulator further.

DESCRIPTION OF SYMBOLS

V	Volts	Hz	Hertz
~	Alternating current	W	Watts
min⁻¹	Revolutions or reciprocation per minute	no	No load speed
	Warning		
	Read instruction manual		Sound power level
	Beware of electrical voltage		Wear hearing protection
	Beware of hot parts.	IP20	Ingress protection from water
l	Litres	bar	Pressure rating
	Warning! The equipment is remote-controlled and may start-up without warning.		

CONTENTS

1x FBACVT-5030 Air Compressor
 2x Wheels
 2x Wheel Bolt
 2x Wheel Fasteners and Washers

2x Air Filter
 2x Rubber Support Feet
 2x Support Feet Fasteners
 1x Instruction Manual

WARRANTY

All of our products undergo strict quality checks to ensure that they reach you in perfect condition. In the unlikely event that your device develops a fault, please contact our service department at the address shown on this guarantee card. You can also contact us by telephone using the customer service number shown. Please note the following terms under which guarantee claims can be made:

1. These warranty terms regulate additional warranty services, which the manufacturer mentioned below promises to buyers of its new products in addition to their statutory guarantee claims are not affected by this guarantee. Our guarantee is free of charge to you.

2. The warranty services only covers defects due to material or manufacturing faults on a product which you have bought from the manufacturer mentioned below are limited to either the rectification of said defects on the product or the replacement of the product, whichever we prefer.

Please note that our devices are not designed for use in commercial, trade or professional applications. A guarantee contract will not be created if the device has been used by commercial, trade or industrial business or has been exposed to similar stresses during the guarantee period.

3. The following are not covered by our guarantee:

- Damage to the device caused by a failure to follow the assembly instructions or due to incorrect installation, a failure to follow the operating instructions (for example connecting it to an incorrect mains voltage or current type) or a failure to follow the maintenance and safety instructions or by exposing the device to abnormal environmental conditions or by lack of care and maintenance.

- Damage to the device caused by abuse or incorrect use (for example overloading the device or the use of unapproved tools or accessories), ingress of foreign bodies into the device (such as sand, stones or dust, transport damage), the use of force or damage caused by external forces (for example by dropping it).

- Damage to the device or parts of the device caused by normal or natural wear or tear or by normal use of the device.

4. Your Product is guaranteed for a period of 12 months from the original date of purchase and is intended for DIY (Do It Yourself) use only. Warranty excludes consumable parts. Guarantee claims should be submitted before the end of the guarantee period within two weeks of the defect being noticed. No guarantee claims will be accepted after the end of the guarantee period. The original guarantee period remains applicable to the device even if repairs are carried out or parts are replaced. In such cases, the work performed or parts fitted will not result in an extension of the guarantee period, and no new guarantee will become active for the work performed or parts fitted. This also applies if an on-site service is used.

Your statutory rights remain unaffected, in particular any rights you have under the Consumer Rights Act 2015.

IN ORDER TO MAKE A CLAIM UNDER THIS WARRANTY YOU MUST RETURN THE PRODUCT TO THE PLACE OF PURCHASE WITH YOUR RECEIPT.

Please refer to the restrictions of this warranty concerning wearing parts, consumables and missing parts as set out in the service information in these operating instructions.

CUSTOMER SERVICE HELPLINE

GB: 0151 294 4488

IRL: 1850 882711

OZITO UK

Unit 9 Stadium Court, Wirral International Business Park, Plantation Road,
Bromborough, Wirral, CH62 3QG

