



Einhell

BLUE

BT-MS 250 L

Cross cut and mitre saw with laser

Art.-No. 43.001.18

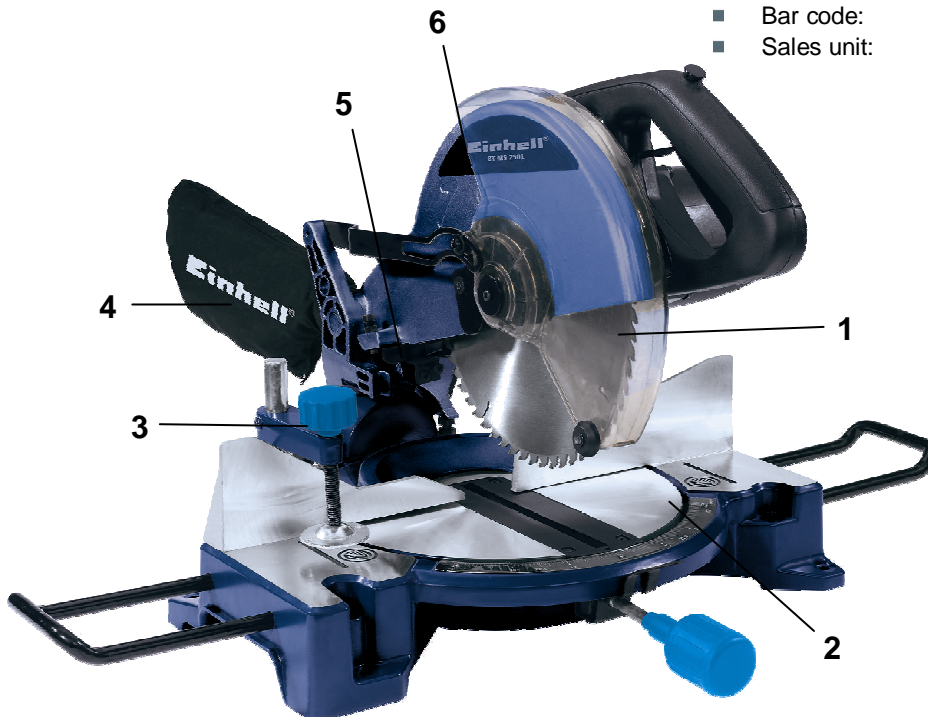
The sliding cross cut and mitre table saw will give clean and precise cuts in any wood. Double mitre cuts are possible because of its tilting and swivelling motor-head. In order to increase the precision of the cut, the saw is fitted with a laser which projects a line on the work piece.

Features

- Carbide tipped saw blade (1)
- Rotating table for precise angle cuts ranging from -45° to $+45^{\circ}$ (2)
- Position of lock in 15° ; 22.5° ; 30° ; 45° ; 90°
- Clamping device for safely fixing of the work piece (3)
- Incl. dust bag (4) and transport locking
- Incl. Lasermodule (5)
- Motor head tiltable to the left continuously from 0° to $+45^{\circ}$ (6)

Technical Data

- Mains: 230 V ~ 50 Hz
- Power: 1,600 W
- Idle speed n_0 : $4,600 \text{ min}^{-1}$
- Carbide tipped saw blade: $\text{Ø } 250 \times \text{Ø } 30 \times 3.0 \text{ mm}$
- No. of teeth: 60
- Turning range: -45° to $+45^{\circ}$
- Mitre cut: 0° bis 45° to the left
- Cutting width $90^{\circ} \times 90^{\circ}$: $115 \times 75 \text{ mm}$
- Cutting width $45^{\circ} \times 90^{\circ}$: $115 \times 40 \text{ mm}$
- Cutting width $90^{\circ} \times 45^{\circ}$: $75 \times 82 \text{ mm}$
- Cutting width $45^{\circ} \times 45^{\circ}$: $75 \times 40 \text{ mm}$
(Double mitre cut)
- Net weight: 12.3 kg
- Gross weight: 13.7 kg
- Packing dimensions: $510 \times 450 \times 380 \text{ mm}$
- Bar code: 4006825 540116
- Sales unit: 1 pc



As special accessories available:

- | | |
|---|--|
| Carbide tipped saw blade
$\text{Ø } 250 \times \text{Ø } 30 \times 3.2 \text{ mm}$; 24 teeth | Art.-No.: 43.111.10
Bar code: 4006825431223 |
| Carbide tipped saw blade
$\text{Ø } 250 \times \text{Ø } 30 \times 3.2 \text{ mm}$; 48 teeth | Art.-No.: 43.111.11
Bar code: 4006825431230 |
| Carbide tipped saw blade
$\text{Ø } 250 \times \text{Ø } 30 \times 3.2 \text{ mm}$; 60 teeth | Art.-No.: 43.111.13
Bar code: 4006825503166 |