



# Einhell

**BLUE**

## BT-LS 1014 D Log Splitter

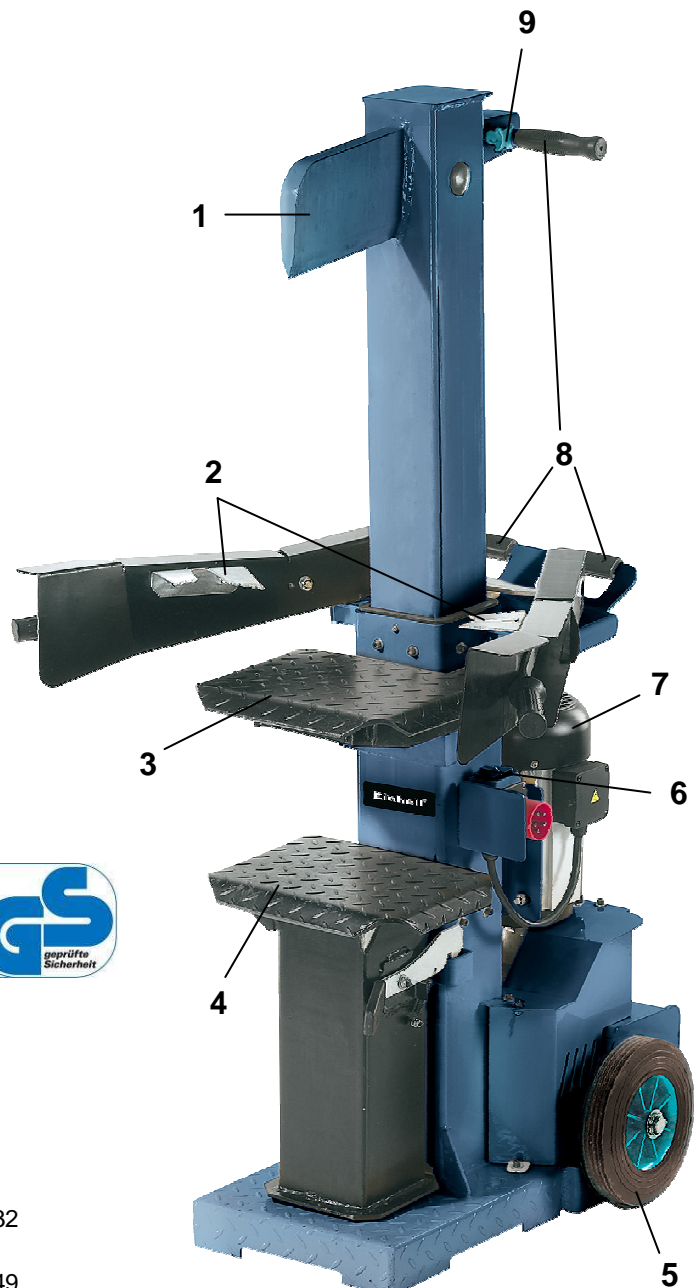
Art.-No. 34.320.70

### Features

- Splitting wedge (1)
- Adjustable log holding plates (2)
- Demountable upper working table made of checkered sheet steel (3)
- Lateral fold off working table made of checkered sheet steel (4)
- Stable wheels for easy transport (5)
- On/Off switch with no-load actuator (6)
- Powerful 400 V engine (7)
- Transport handle (8)
- Adjustable splitting wedge height (9)

### Technical data

- Engine: 400 V ~ 50 Hz
- Power: 3.8 kW
- Splitting force: 10 t
- Cylinder stroke: 550 mm
- Log length: 150 – 1,350 mm
- Log diameter: 120 – 400 mm
- Filling quantity oil tank: 7 l
- Weight: 220 kg
- Packing dimensions: 730 x 450 x 1,260 mm
- Bar code: 4006825 537871
- Sales unit: 1 pc



### As special accessories available:

- **Cross knife** Art.-No.: **34.320.92**  
Bar code: 4006825 537932
- **Broadening knife** Art.-No.: **34.320.90**  
Bar code: 4006825 537949