

Original operating instructions
Hand-held Circular Saw

Einhell[®]

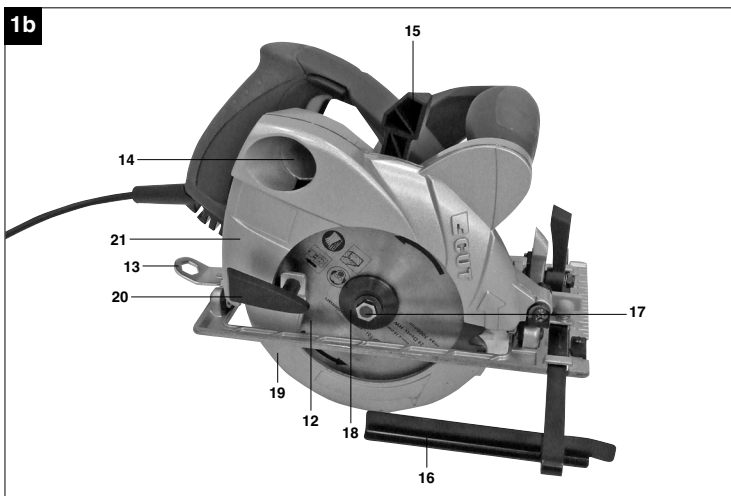
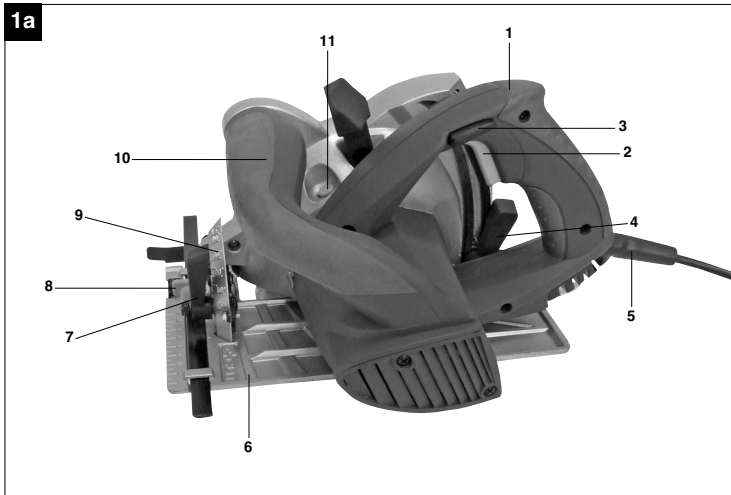
7

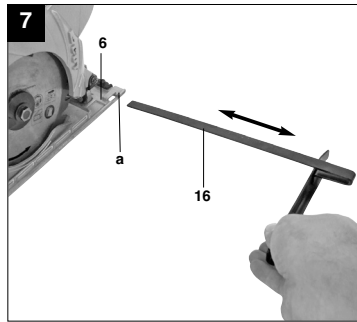
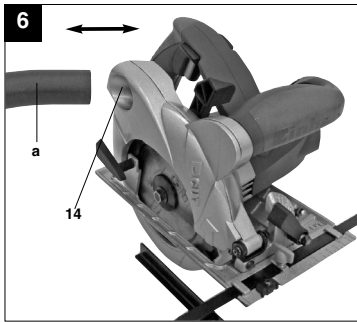
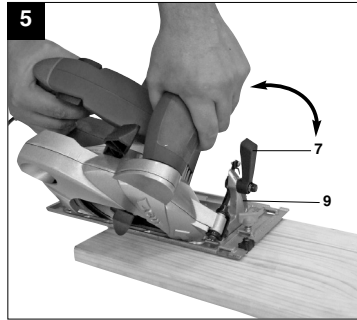
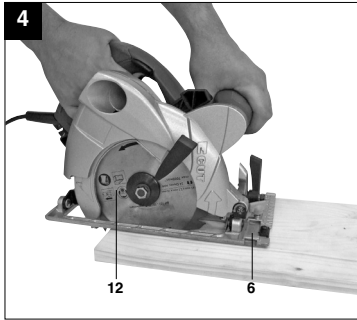
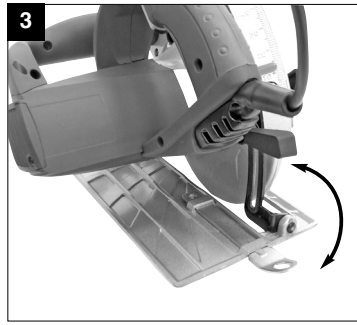
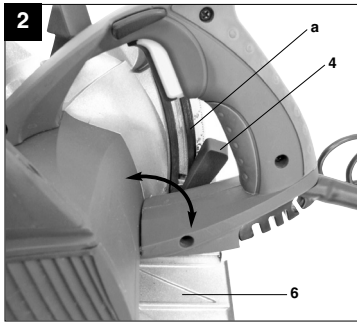
Art.-Nr.: 43.309.11

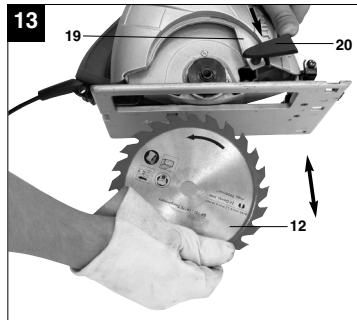
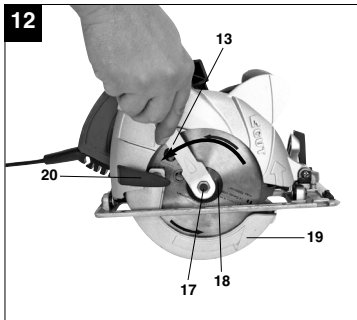
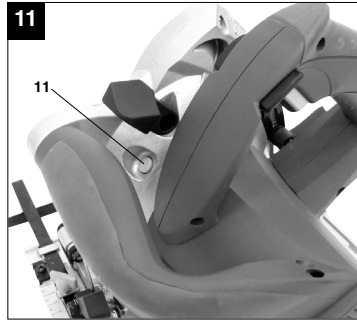
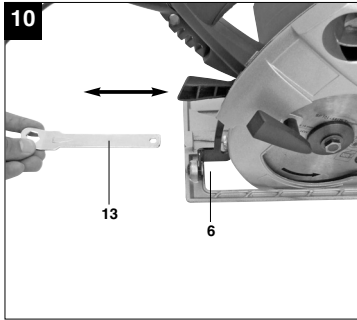
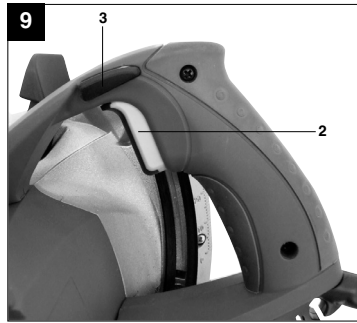
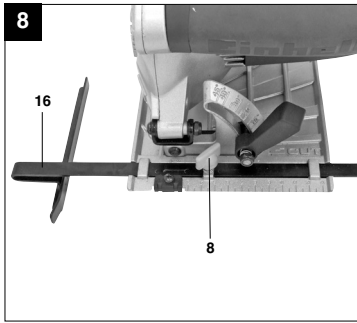
I.-Nr.: 01019



RT-CS **165**







GB

GB



"Caution - Read the operating instructions to reduce the risk of injury"



Wear ear-muffs.
The impact of noise can cause damage to hearing.



Wear a breathing mask.
Dust which is injurious to health can be generated when working on wood and other materials.
Never use the device to work on any materials containing asbestos!



Wear safety goggles.
Sparks generated during working or splinters, chips and dust emitted by the device can cause loss of sight.

GB**⚠ Important!**

When using equipment, a few safety precautions must be observed to avoid injuries and damage. Please read the complete operating manual with due care. Keep this manual in a safe place, so that the information is available at all times. If you give the equipment to any other person, give them these operating instructions as well.
We accept no liability for damage or accidents which arise due to non-observance of these instructions and the safety information.

1. Safety regulations

The corresponding safety information can be found in the enclosed booklet.

⚠ CAUTION!

Read all safety regulations and instructions.

Any errors made in following the safety regulations and instructions may result in an electric shock, fire and/or serious injury.

Keep all safety regulations and instructions in a safe place for future use.

2. Layout (Fig. 1a/1b/11)

1. Handle
2. ON/OFF switch
3. Locking button for ON/OFF switch
4. Locking lever for cutting depth setting
5. Power cable
6. Soleplate
7. Locking lever for miter setting
8. Locking screw for parallel stop
9. Scale for miter angle
10. Additional handle
11. Spindle lock
12. Saw blade
13. Saw blade wrench
14. Connection for sawdust extractor
15. Lever for opening the swing guard hood
16. Parallel stop
17. Screw for securing the saw blade
18. Flange
19. Swing guard hood
20. Lever for swing guard hood
21. Guard hood


3. Proper use

The hand-held circular saw is designed for sawing straight cuts in wood, wood-type materials and plastics.

The equipment is to be used only for its prescribed purpose. Any other use is deemed to be a case of misuse. The user / operator and not the manufacturer will be liable for any damage or injuries of any kind caused as a result of this.

Please note that our equipment has not been designed for use in commercial, trade or industrial applications. Our warranty will be voided if the machine is used in commercial, trade or industrial businesses or for equivalent purposes.

4. Technical data

| | |
|-----------------------|--|
| Mains voltage: | 230 V ~ 50 Hz |
| Power input: | 1200 W |
| Idling speed: | 5,200 min ⁻¹ |
| Cutting depth at 0°: | 54 mm |
| Cutting depth at 45°: | 40 mm |
| Saw blade: | Ø 165 mm |
| Blade holder: | Ø 16 mm |
| Blade thickness: | 2.4 mm |
| Protection class: | II /  |
| Weight: | 3.8 kg |

Sound and vibration

Sound and vibration values were measured in accordance with EN 60745.

| | |
|--------------------------------------|-----------|
| L _{pA} sound pressure level | 97 dB(A) |
| K _{pA} uncertainty | 3 dB |
| L _{WA} sound power level | 111 dB(A) |
| K _{WA} uncertainty | 3 dB |

Wear ear-muffs.

The impact of noise can cause damage to hearing.

Total vibration values (vector sum of three directions) determined in accordance with EN 60745.

Handle

Vibration emission value $a_h = 5.84 \text{ m/s}^2$
K uncertainty = 1.5 m/s^2

Additional handle

Vibration emission value $a_h = 4.19 \text{ m/s}^2$
K uncertainty = 1.5 m/s^2

⚠ Important!

The vibration value changes according to the area of application of the electric tool and may exceed the specified value in exceptional circumstances.

Keep the noise emissions and vibrations to a minimum.

- Only use appliances which are in perfect working order.
- Service and clean the appliance regularly.
- Adapt your working style to suit the appliance.
- Do not overload the appliance.
- Have the appliance serviced whenever necessary.
- Switch the appliance off when it is not in use.
- Wear protective gloves.

5. Before starting the equipment

Before you connect the equipment to the mains supply make sure that the data on the rating plate are identical to the mains data.

Always pull the power plug before making adjustments to the equipment.

5.1 Setting the cutting depth (Figure 2/3)

- Release the handle on the rear of the guard hood for adjusting the cutting depth (4).
- Place the saw foot (6) flat on the surface of the workpiece you wish to saw. Raise the saw until the saw blade (12) is at the required cutting depth (a).
- Refasten the handle for adjusting the cutting depth (4). Check the handle is securely fastened.

5.2 Miter stop (Figure 4/5)

- The preset standard angle between the saw foot (6) and saw blade (12) is 90° . You can adjust this angle to carry out angled cuts.
- Release the locking lever for miter setting (7) on the front of the saw foot.
- You can now adjust the cutting angle to around 45° . Keep an eye on the cutting angle scale (9) as you do so.

- Refasten the locking lever for miter setting (7). Check the handle is securely fastened.

5.3 Extraction of dust and chips (Figure 6)

- Connect a suitable vacuum cleaner (a) to the provided chip extractor connector (14) of your circular saw (vacuum cleaner not included). This will provide excellent dust extraction on the workpiece. The benefits are that you will protect both the equipment and your own health. Your work area will also be cleaner and safer.
- Dust created when working may be dangerous. Refer to the section entitled "Safety instructions".
- Important! The vacuum cleaner you use for the extraction work must be suitable for the workpiece material.
- Check that all the parts are properly connected.

5.4 Parallel stop (Figure 7/8)

- The parallel stop (16) enables you to saw parallel lines.
- Loosen the locking screw for the parallel stop (8) on the saw foot (6).
- To assemble, slide the parallel stop (16) into the guide (a) on the saw foot (6) (see Figure 7)
- Set the required spacing and then tighten the locking screw (8) again.
- Using the parallel stop: Position the parallel stop (16) flat on the edge of the workpiece and start the cut.

⚠ Important! Carry out a trial cut in a piece of waste wood

6. Operation**6.1 Working with the hand-held circular saw**

- Always hold the circular saw firmly.
- The swing guard hood (19) is pushed back automatically by the workpiece.
- Do not use force! Push forwards gently and evenly with the circular saw.
- The waste piece should be on the right-hand side of the circular saw so that the wide section of the support bench supports its full area.
- If you are sawing down a line that has been drawn, guide the circular saw along the corresponding notch.
- Clamp small pieces of wood securely before sawing them. Never hold them with your hand.
- Always follow the safety instructions. Wear safety goggles.

GB

- Do not use defective saw blades or blades that are cracked or broken.
- Do not use any flanges / flange nuts whose bore hole is larger or smaller than those in the saw blade.
- The saw blade must not be decelerated by hand or by applying lateral pressure to the blade.
- The swing guard hood must not jam and must return to its initial position after the operation has been completed.
- Before you use the circular saw, check the function of the swing guard hood with the mains plug disconnected.
- Before you use the machine, ensure that the safety equipment such as the swing guard hood, flanges and adjustment devices are in working order and are correctly adjusted and secure.
- You can connect a suitable dust extraction system to the sawdust extraction connector (14). Ensure that the dust extractor line is safely and correctly connected.
- The moving swing guard hood must not be fixed in the retracted guard hood when the saw is in use.

⚠ Important. Always pull out the power plug before doing any work on the circular saw!

6.2 Using the circular saw

- Adjust the cutting depth, cutting angle and parallel stop (see section 5.1, 5.2 and 5.4)
- Ensure that the ON/OFF switch (2) is not depressed. Only then should you connect the mains plug to a suitable socket.
- Do not switch on the circular saw until you have fitted a saw blade.
- Place the saw foot flat on the workpiece you wish to saw. The saw blade must not be in contact with the workpiece.
- Hold the circular saw firmly with both hands.
- Before you start your sawing work on the workpiece, you can use the lever (15) to open the swing guard hood (19) slightly. Starting the sawing work is then easier.

6.3 Switching ON/OFF (Fig. 9)

To switch on:

Press the locking button (3) and the ON/OFF switch (2) at the same time

- Allow the saw blade to accelerate until it reaches full speed. Then slowly move the saw blade along the cutting line. Only exert gentle pressure on the saw blade as you do so.

To switch off:

Release the locking button and ON/OFF switch

- If you release the handle the equipment will shut down automatically which means that it cannot operate accidentally.
- Ensure that you do not cover or block the ventilation openings whilst working with the tool.
- Do not slow down the saw blade after you switch it off by pressing it sideways.
- Important! Do not put down the machine until the saw blade has reached a complete standstill.

⚠ Important. Carry out a trial cut in a piece of waste wood

6.4 Changing the saw blade (Fig. 10-13)

⚠ Important. Always pull out the power plug before doing any work on the circular saw!

Only use saw blades of the same type as the saw blade supplied with this circular saw. Ask your dealer for advice.

Use the saw blade key (13) supplied to change the saw blade. The saw blade key (13) is stored in the soleplate (6). Pull the saw blade key (13) out of the soleplate (6) when you need it.

Important. The hand-held circular saw must not be operated with the saw blade key (13) inserted in it.

- Press the spindle lock (11).
- Undo the screw to secure the saw blade (17) using the saw blade key (13).
- Push back and secure the moving swing guard hood (19) using the lever for the swing guard hood (20).
- Remove the flange (18) and the saw blade (12) in a downwards direction.
- Clean the flange and insert the new saw blade. Pay attention to the running direction (see arrow on the guard hood and saw blade).
- Tighten the screw to secure the saw blade (17), check it runs true.
- Before you press the On/Off switch, make sure that the saw blade is correctly fitted and that moving parts run smoothly and the clamping screws are tightened securely.



7. Replacing the power cable

If the power cable for this equipment is damaged, it must be replaced by the manufacturer or its after-sales service or similarly trained personnel to avoid danger.

8. Cleaning, maintenance and ordering of spare parts

Always pull out the mains power plug before starting any cleaning work.

8.1 Cleaning

- Keep all safety devices, air vents and the motor housing free of dirt and dust as far as possible. Wipe the equipment with a clean cloth or blow it with compressed air at low pressure.
- We recommend that you clean the device immediately each time you have finished using it.
- Clean the equipment regularly with a moist cloth and some soft soap. Do not use cleaning agents or solvents; these could attack the plastic parts of the equipment. Ensure that no water can seep into the device.

8.2 Carbon brushes

In case of excessive sparking, have the carbon brushes checked only by a qualified electrician. Important! The carbon brushes should not be replaced by anyone but a qualified electrician.

8.3 Maintenance

There are no parts inside the equipment which require additional maintenance.

8.4 Ordering replacement parts:

Please quote the following data when ordering replacement parts:

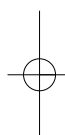
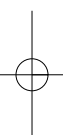
- Type of machine
- Article number of the machine
- Identification number of the machine
- Replacement part number of the part required

For our latest prices and information please go to www.isc-gmbh.info

9. Disposal and recycling

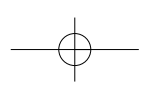
The unit is supplied in packaging to prevent its being damaged in transit. This packaging is raw material and can therefore be reused or can be returned to the raw material system.

The unit and its accessories are made of various types of material, such as metal and plastic. Defective components must be disposed of as special waste. Ask your dealer or your local council.



©
The reprinting or reproduction by any other means, in whole or in part,
of documentation and papers accompanying products is permitted only
with the express consent of ISC GmbH.

• Technical changes subject to change



GUARANTEE CERTIFICATE

Dear Customer,

All of our products undergo strict quality checks to ensure that they reach you in perfect condition. In the unlikely event that your device develops a fault, please contact our service department at the address shown on this guarantee card. Of course, if you would prefer to call us then we are also happy to offer our assistance under the service number printed below. Please note the following terms under which guarantee claims can be made:

1. These guarantee terms cover additional guarantee rights and do not affect your statutory warranty rights. We do not charge you for this guarantee.
2. Our guarantee only covers problems caused by material or manufacturing defects, and it is restricted to the rectification of these defects or replacement of the device. Please note that our devices have not been designed for use in commercial, trade or industrial applications. Consequently, the guarantee is invalidated if the equipment is used in commercial, trade or industrial applications or for other equivalent activities. The following are also excluded from our guarantee: compensation for transport damage, damage caused by failure to comply with the installation/assembly instructions or damage caused by unprofessional installation, failure to comply with the operating instructions (e.g. connection to the wrong mains voltage or current type), misuse or inappropriate use (such as overloading of the device or use of non-approved tools or accessories), failure to comply with the maintenance and safety regulations, ingress of foreign bodies into the device (e.g. sand, stones or dust), effects of force or external influences (e.g. damage caused by the device being dropped) and normal wear resulting from proper operation of the device. This applies in particular to rechargeable batteries for which we nevertheless issue a guarantee period of 12 months.

The guarantee is rendered null and void if any attempt is made to tamper with the device.
3. The guarantee is valid for a period of 2 years starting from the purchase date of the device. Guarantee claims should be submitted before the end of the guarantee period within two weeks of the defect being noticed. No guarantee claims will be accepted after the end of the guarantee period. The original guarantee period remains applicable to the device even if repairs are carried out or parts are replaced. In such cases, the work performed or parts fitted will not result in an extension of the guarantee period, and no new guarantee will become active for the work performed or parts fitted. This also applies when an on-site service is used.
4. In order to assert your guarantee claim, please send your defective device postage-free to the address shown below. Please enclose either the original or a copy of your sales receipt or another dated proof of purchase. Please keep your sales receipt in a safe place, as it is your proof of purchase. It would help us if you could describe the nature of the problem in as much detail as possible. If the defect is covered by our guarantee then your device will either be repaired immediately and returned to you, or we will send you a new device.

Of course, we are also happy offer a chargeable repair service for any defects which are not covered by the scope of this guarantee or for units which are no longer covered. To take advantage of this service, please send the device to our service address.

Poweron Imports Limited
17 Lorien Place
East Tamaki
Manukau City 2161
Auckland
Telephone (09) 2746950