

BAHR
DIE QUALITÄT

OF 1100 E Router

Art.-No. 44.711.01

Features

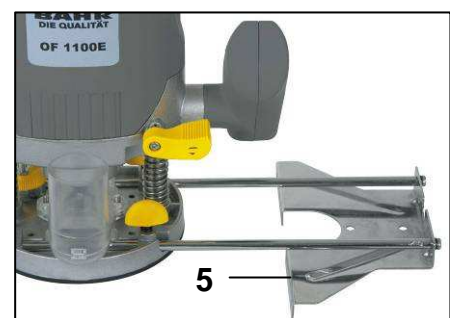
- Adjustable cutter depth with rovolver stop (1)
- Spindle lock (2)
- Electronic speed regulation (3)
- Housing surface „softpainted“

Standard accessories

- Clamping device 6 and 8 mm
- Dust extraction adapter (4)
- Parallel guide (5)
- Transport and storage case

Technical Data

- Mains: 230 V ~ 50 Hz
- Power: 1,100 W
- Idle speed: 11,000 – 29,000 min⁻¹
- Stroke height: 55 mm
- Clamping device: Ø 6 and Ø 8 mm
- Net weight: 7.5 kg
- Gross weight: 8.0 kg
- Packing dimensions: 350 x 300 x 151 mm
- Bar code: 4006825 507713
- Sales unit: 3 pcs



As special accessories available:

- | | |
|---------------------------|--------------------------|
| Cutter-Set, 12 pcs | Art.-No.: 43.501.99 |
| | Bar code: 4006825 431391 |
| Cutter-Set, 50 pcs | Art.-No.: 43.501.60 |
| With alu-case | Bar code: 4006825 538946 |

Router table

- | |
|--------------------------|
| Art.-No.: 43.505.53 |
| Bar code: 4006825 528992 |