



Original operating instructions
Cordless Jigsaw

Einhell[®]



7

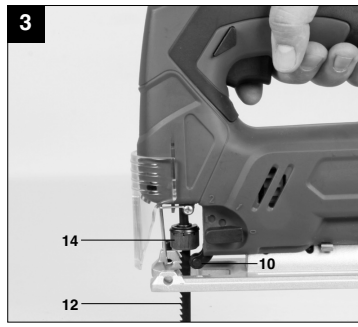
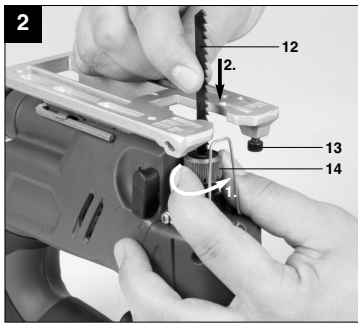
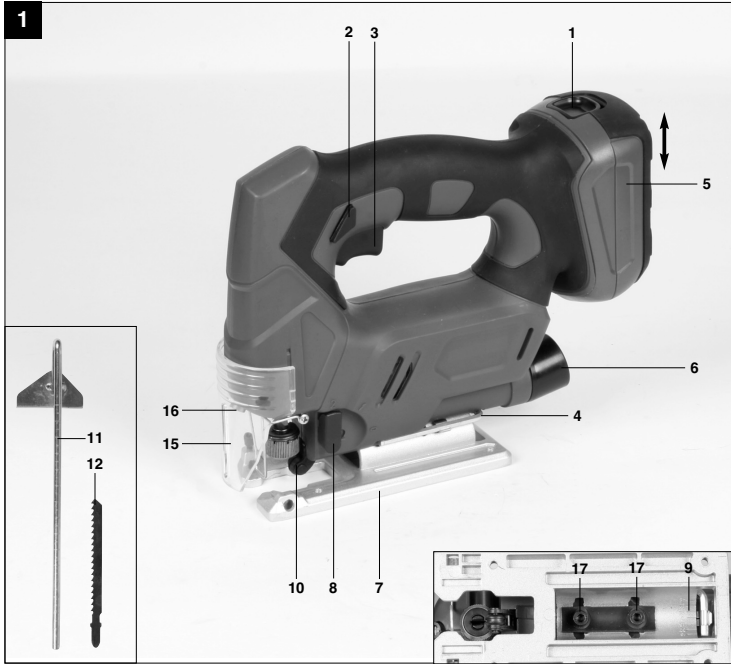


Art.-Nr.: 43.211.50

I.-Nr.: 11011

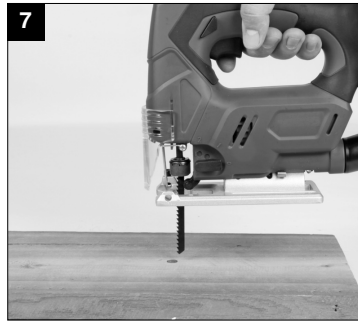
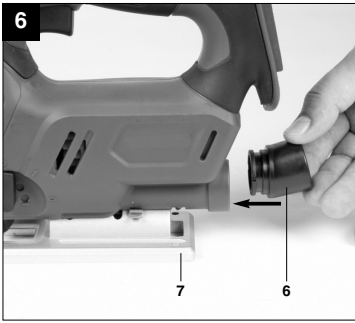
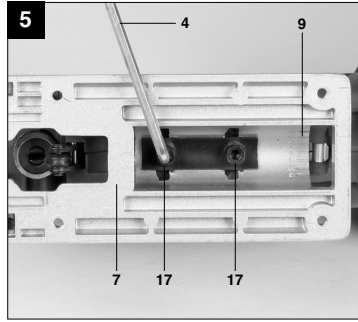
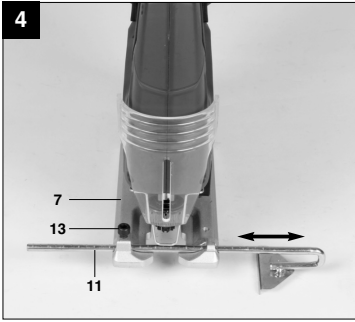
BT-JS **18 Li**





2







GB



"Caution - Read the operating instructions to reduce the risk of injury"



Wear ear-muffs.

The impact of noise can cause damage to hearing.



Wear a breathing mask.

Dust which is injurious to health can be generated when working on wood and other materials.
Never use the device to work on any materials containing asbestos!



Wear safety goggles.

Sparks generated during working or splinters, chips and dust emitted by the device can cause loss of sight.



⚠ Important!

When using equipment, a few safety precautions must be observed to avoid injuries and damage. Please read the complete operating manual with due care. Keep this manual in a safe place, so that the information is available at all times. If you give the equipment to any other person, give them these operating instructions as well.

We accept no liability for damage or accidents which arise due to non-observance of these instructions and the safety information.

1. Safety regulations

The corresponding safety information can be found in the enclosed booklet.

⚠ CAUTION!**Read all safety regulations and instructions.**

Any errors made in following the safety regulations and instructions may result in an electric shock, fire and/or serious injury.

Keep all safety regulations and instructions in a safe place for future use.

- Always check the saw, the power cable and the plug before use. Only ever use the saw if it is in perfect, undamaged condition. Damaged parts have to be repaired or replaced immediately by a qualified electrician.
- Always remove the battery pack before carrying out any work on the saw, before changing the blade and in periods of non-use.
- Keep the saw in a safe place and out of the reach of children.
- Always wear goggles, safety gloves and ear muffs when sawing. Wear a breathing mask on dusty jobs.
- Never leave any keys or adjustment spanners in position on the saw. Before switching on, check that all keys and adjustment spanners have been removed.
- Secure the workpiece (with a clamp) so that it cannot slip.
- **It is prohibited to use the saw on asbestos materials.**
Please note the accident prevention regulations in force in your country.
- Use only original spare parts.
- Repairs are to be carried out by qualified electricians only.
- The level of noise at the workplace may exceed 85 dB(A). In this case you will need to introduce noise protection measures for the user.
- Make sure of your footing. Avoid abnormal

working positions.

- Keep your electric tool out of the rain. Never use electric tools in wet or damp conditions, and never use them near inflammable liquids.
- Keep your workplace tidy.
- Make sure the power switch is off before inserting the battery pack.
- Wear suitable clothing. Never wear loose-fitting clothes or jewelry. Use a hair-net on long hair.
- For your own safety, use only the manufacturer's accessories and attachments.
- Use only sharp saw blades that are in perfect condition. Replace bent and cracked saw blades immediately.
- After switching off the saw, do not press against the side of the blade to bring it to a halt.
- Always cut at a steady rate of progress. This will prevent accidents and prolong the life of your saw and the blade.
- Use only a damp cloth to clean your saw. Do not use any aggressive agents for cleaning purposes.
- Check your saw to ensure that it is in good working order. If the saw fails to work properly, have it checked. Leave all maintenance and inspection work strictly to a qualified electrician or call our customer service on 1300 922 271.
- **Check the fastening screws**
Check the fastening screws regularly and make sure that they are all securely tightened. Tighten any loose screws immediately, otherwise there is the risk of serious injuries.
- **Hold the equipment by the insulated handles when carrying out work during which the plug-in tool could strike concealed power cables or its own mains lead.** Contact with a live cable can also make the metal parts of the equipment live and will cause an electric shock.



Important: Laser radiation
Do not look into the beam
Laser class 2



Protect yourself and your environment from accidents by taking the appropriate precautionary measures.

- Never look directly into the laser path.
- Never direct the laser beam at reflecting surfaces or persons or animals. Even a low output laser beam can inflict injury on the eye.
- Caution: It is vital to follow the work procedures described in these instructions. Using the equipment in any other way may result in hazardous exposure to laser radiation.
- Never open the laser module.

2. Layout / Items supplied (Fig. 1/2)

2.1 Layout

1. Pushlock button
2. Locking button for ON/OFF switch
3. ON/OFF switch
4. Allen key
5. Battery Pack
6. Adapter for dust extraction system
7. Adjustable soleplate
8. Selector switch for pendulum action
9. Dial scale for soleplate
10. Guide roller
11. Parallel stop
12. Saw blade
13. Locking screws for parallel stop
14. Blade holder
15. Safety guard
16. Laser
17. Screw for soleplate

2.2 Items supplied

- Open the packaging and take out the equipment with care.
- Remove the packaging material and any packaging and/or transportation braces (if available).
- Check to see if all items are supplied.
- Inspect the equipment and accessories for transport damage.
- If possible, please keep the packaging until the end of the guarantee period.

IMPORTANT

The equipment and packaging material are not toys. Do not let children play with plastic bags, foils or small parts. There is a danger of swallowing or suffocating!

- Cordless jigsaw
- Allen key
- Adapter for dust extraction system
- Parallel stop
- Saw blade
- Original operating instructions
- charger (1x in set included)
- Battery Pack (2x in set included)

3. Proper use

The jigsaw is designed for sawing wood, iron, non-ferrous metals and plastics using the appropriate saw blades.

The equipment is to be used only for its prescribed purpose. Any other use is deemed to be a case of misuse. The user / operator and not the manufacturer will be liable for any damage or injuries of any kind caused as a result of this.

Please note that our equipment has not been designed for use in commercial, trade or industrial applications. Our warranty will be voided if the machine is used in commercial, trade or industrial businesses or for equivalent purposes.

4. Technical data

Voltage supply:	18V d.c.
Stroke speed:	0-3000 rpm

Stroke height:	18mm
Cutting depth, wood:	56mm
Cutting depth, plastic:	18mm
Cutting depth, iron:	8mm
Miter cut:	up to 45° (left and right)
Weight:	1.6 kg

Sound and vibration

Sound and vibration values were measured in accordance with EN 60745.

L_{pA} sound pressure level	89 dB(A)
K_{pA} uncertainty	3 dB
L_{WA} sound power level	100 dB(A)
K_{WA} uncertainty	3 dB

Wear ear-muffs.

The impact of noise can cause damage to hearing.

Total vibration values (vector sum of three directions) determined in accordance with EN 60745.

Sawing wood

Vibration emission value $a_{H1} = 11.628 \text{ m/s}^2$
K uncertainty = 1.5 m/s^2

Sawing metal

Vibration emission value $a_{H1} = 11.376 \text{ m/s}^2$
K uncertainty = 1.5 m/s^2

Additional information for electric power tools

Warning!

The specified vibration value was established in accordance with a standardized testing method. It may change according to how the electric equipment is used and may exceed the specified value in exceptional circumstances.

The specified vibration value can be used to compare the equipment with other electric power tools.

The specified vibration value can be used for initial assessment of a harmful effect.

Keep the noise emissions and vibrations to a minimum.

- Only use appliances which are in perfect working order.
- Service and clean the appliance regularly.
- Adapt your working style to suit the appliance.
- Do not overload the appliance.
- Have the appliance serviced whenever necessary.
- Switch the appliance off when it is not in use.
- Wear protective gloves.

Residual risks

Even if you use this electric power tool in accordance with instructions, certain residual risks cannot be ruled out. The following hazards may arise in connection with the equipment's construction and layout:

1. Lung damage if no suitable protective dust mask is used.
2. Damage to hearing if no suitable ear protection is used.
3. Health damage caused by hand-arm vibrations if the equipment is used over a prolonged period or is not properly guided and maintained.

5. Before starting the equipment

Charge the battery pack with the charger supplied. An empty battery pack requires a charging period of approximately 1 hours.

For more details about charging the battery pack please read the operating instructions of the 1-hour charger.

Always remove the battery pack before making adjustments to the equipment.

5.1 Mounting and removing the battery pack (Fig. 1/Item 5)

Mounting:

Push the battery pack (5) onto the equipment until it latches in place.

Removing:

Press the pushlock button (1) and pull the battery pack (5) out of the equipment.

GB**5.2 Safety guard (Fig. 1/Item 15)**

- The safety guard (15) protects the user from accidentally touching the saw blade (12) and nevertheless enables you a free view of the cutting area.
- The safety guard (15) must always be fitted when carrying out cutting work.

5.3 Changing the saw blade (Figs. 2-3/Item 12)**⚠ Important!**

- You can fit or replace saw blades without using any other tools.
- Remove the battery pack before you fit or replace a saw blade.
- Set the selector switch for pendulum action (8) to position 2.
- The teeth of the saw blade are very sharp!
- Turn the blade holder (14) and insert the blade (12) into the holder (14) as far as the stop (Fig. 2). The teeth on the saw blade must be pointing forwards.
- Allow the blade holder (14) to slide back to starting position. The saw blade (12) must sit in the guide roller (10) (Figure 3).
- Check that the saw blade (12) is securely mounted in the blade holder.
- Follow the instructions above in reverse order to remove the saw blade.

5.4 Installing the parallel stop (Fig. 4/Item 11)

- The parallel stop (11) enables you to saw parallel cuts.
- Loosen the locking screw (13) on the soleplate (7).
- Now slide the parallel stop (11) into the guides on the soleplate (7). You can fit the parallel stop (11) on either the left or right of the equipment.
- The guide strip must always face downwards. Set the required distance using the measurement scale on the parallel stop (11) and retighten the locking screw (13).

5.5 Setting the soleplate for miter cuts (Fig 5)

- Use the Allen key (4) to loosen the screws for the soleplate (17) on the bottom of the adjustable soleplate (7) (Figure 5).
- Pull the soleplate (7) slightly forward. The soleplate can now be swiveled a maximum 45° to the left and right.
- Move the soleplate into the required position and refasten the screw securing the soleplate (17).

5.6 Adapter for dust extraction system (Fig. 6/Item 6)

- Connect your jigsaw to a vacuum cleaner using the adaptor for dust extraction (6). This will provide excellent dust extraction on the workpiece. The benefits are that you will protect both the equipment and your own health. Your work area will also be cleaner and safer.
- Dust created when working may be dangerous. Refer to the section entitled "Safety instructions".
- Attach the adaptor (6) as shown in Fig. 6, so that it is securely seated in the housing.
- Fit the vacuum tube of the vacuum cleaner onto the adaptor opening (6). Check that the connections are airtight.

6. Operation**6.1 ON/OFF switch (Fig.1 /Item 3)**

To switch on:

Press the locking button (2) and the ON/OFF switch (3) at the same time

- Allow the saw blade to accelerate until it reaches full speed. Then slowly move the saw blade along the cutting line. Only exert gentle pressure on the saw blade as you do so.

To switch off:

Release the locking button (2) and ON/OFF switch (3)

- If you release the ON/OFF switch (3) the equipment will shut down automatically which means that it cannot operate accidentally.
- Ensure that you do not cover or block the ventilation openings whilst working with the tool.
- Do not slow down the saw blade after you switch it off by pressing it sideways.
- Important! Do not put down the machine until the saw blade has reached a complete standstill.

⚠ Important. Carry out a trial cut in a piece of waste wood

6.2 Setting the pendulum action (Fig. 1/Item 8)

- The strength of the pendulum action of the saw blade (12) can be adjusted using the selector switch for pendulum action (8).
- You can adjust the cutting speed, the cutting performance and the finish to the workpiece you wish to saw.

Set the selector switch for pendulum action (8) to one of the following positions:

Position 0: No pendulum action

Material: Rubber, ceramic, aluminium, steel

Please note: For fine and clean cuts, thin materials (e.g. sheet steel) and hard materials.

Position 1: Small pendulum action

Material: Plastic, wood, aluminium

Please note: For hard materials

Position 2: Large pendulum action

Material: Wood

Please note: For soft materials and sawing along the grain

The best combination of speed and pendulum action depends on the material you wish to saw. We recommend to make a trial cut on a waste piece in order to check the ideal settings.

6.3 Using the laser (Fig. 1/Item 16)

- The laser (16) enables you to make precision cuts with your jigsaw.
- The laser light is generated by a laser diode. The laser light is enlarged to form a line and is emitted through the laser emission aperture. You can then use the line as an optical marker for the sawing line for precision cuts. Follow the laser safety instructions.
- The laser (16) switches on automatically when the On/Off switch (3) is pressed.

6.4 Making cuts

- Ensure that the ON/OFF switch (3) is not depressed. Only then should you insert the battery pack.
- Do not switch on the jigsaw until you have fitted a saw blade.
- Use only saw blades that are in perfect condition. Replace blunt, bent or cracked saw blades immediately.
- Place the saw foot flat on the workpiece you wish to saw. Switch on the jigsaw.
- Allow the saw blade to accelerate until it reaches full speed. Then slowly move the saw blade along the cutting line. Only exert gentle pressure on the

saw blade as you do so.

- When cutting metal, apply a suitable coolant along the line you wish to cut.

6.5 Sawing out sections (Fig. 7)

Drill a 10 mm hole in the section you wish to saw out. Insert the saw blade into this hole and start to saw out the required section.

6.6 Making parallel cuts

- Mount the parallel stop and adjust as required (see section 5.4).
- Observe the instructions in section 6.4.
- Cut as shown in Figure 8.

6.7 Making miter cuts

- Set the angle on the soleplate (see section 5.5).
- Observe the instructions in section 6.4.
- Cut as shown in Fig. 9.

7. Cleaning, maintenance and ordering of spare parts

Always remove the battery pack before starting any cleaning work!

7.1 Cleaning

- Keep all safety devices, air vents and the motor housing free of dirt and dust as far as possible. Wipe the equipment with a clean cloth or blow it with compressed air at low pressure.
- We recommend that you clean the device immediately each time you have finished using it.
- Clean the equipment regularly with a moist cloth and some soft soap. Do not use cleaning agents or solvents; these could attack the plastic parts of the equipment. Ensure that no water can seep into the device.

7.2 Maintenance

There are no parts inside the equipment which require additional maintenance.



7.3 Ordering replacement parts:

Please quote the following data when ordering replacement parts:

- Type of machine
- Article number of the machine
- Identification number of the machine
- Replacement part number of the part required

For our latest prices and information please go to www.einhell.com.au

8. Disposal and recycling

The unit is supplied in packaging to prevent its being damaged in transit. This packaging is raw material and can therefore be reused or can be returned to the raw material system.

The unit and its accessories are made of various types of material, such as metal and plastic. Defective components must be disposed of as special waste. Ask your dealer or your local council.

9. Storage

Store the equipment and accessories out of children's reach in a dark and dry place at above freezing temperature. The ideal storage temperature is between 5 and 30 °C. Store the electric tool in its original packaging.



Technical changes subject to change





©

The reprinting or reproduction by any other means, in whole or in part, of documentation and papers accompanying products is permitted only with the express consent of ISC GmbH.





The guarantee provided in this Guarantee Certificate is given by Einhell Australia Pty Limited
 ACN 134 632 858 of 6/166 Wellington Street, Collingwood, Victoria (Telephone number 1300 922 271)
 (Einhell Express Guarantee)

GB **GUARANTEE CERTIFICATE**

Dear Customer,

All of our products undergo strict quality checks. In the unlikely event that your device develops a fault, please contact our service department at the address shown on this guarantee certificate. Of course, if you would prefer to call us then we are also happy to offer our assistance under the service number printed below. Please note the following terms under which claims under the Einhell Express Guarantee can be made:

1. The benefits conferred by the Einhell Express Guarantee are in addition to all rights and remedies which you may be entitled to under the Australian Consumer Law, and any other statutory rights you may have under other applicable laws. This Einhell Express Guarantee does not exclude, restrict or modify any such rights or remedies.
We do not charge you for the Einhell Express Guarantee.
2. Our goods come with guarantees that cannot be excluded under the Australian Consumer Law. You are entitled to a replacement or refund for a major failure and for compensation for any other reasonably foreseeable loss or damage. You are also entitled to have the goods repaired or replaced if the goods fail to be of acceptable quality and the failure does not amount to a major failure.
3. The Einhell Express Guarantee only covers problems caused by material or manufacturing defects, and our liability under the Einhell Express Guarantee is limited, at our discretion, to the rectification of these defects or replacement of the product. Please note that the product has not been designed for use in commercial, trade or industrial applications. Consequently, the Einhell Express Guarantee will not apply if the product is used in commercial, trade or industrial applications or for other equivalent activities.
4. The following are also excluded from the Einhell Express Guarantee: compensation for transport damage, damage caused by failure to comply with the installation/assembly instructions or damage caused by unprofessional installation, failure to comply with the operating instructions (e.g. connection to the wrong mains voltage or current type), misuse or inappropriate use (such as overloading of the product or use of non-approved tools or accessories), failure to comply with the maintenance and safety regulations, ingress of foreign bodies into the product (e.g. sand, stones or dust), effects of force or external influences (e.g. damage caused by the product being dropped) and normal wear resulting from proper operation of the product. The Einhell Express Guarantee will also not apply if any attempt is made to tamper with the product.
5. The Einhell Express Guarantee is valid for a period of 2 years starting from the purchase date of the product. Claims made under the Einhell Express Guarantee should be submitted before the end of this guarantee period and within two weeks of the defect being noticed. No claims under the Einhell Express Guarantee will be accepted if submitted after the end of this guarantee period. The original guarantee period remains applicable to the device even if repairs are carried out or parts are replaced. In such cases, the work performed or parts fitted will not result in an extension of the guarantee period for the Einhell Express Guarantee, and the Einhell Express Guarantee will not apply for the work performed or parts fitted. This also applies when an on-site service is used.
6. To make a claim under the Einhell Express Guarantee, please send the relevant product postage-free to the address shown below and enclose either the original or a copy of your sales receipt or another dated proof of purchase. It would help us if you could describe the nature of the problem in as much detail as possible. If the defect is covered by the Einhell Express Guarantee, your product will be repaired immediately and returned to you, or we will send you a new device (at our election). Any costs incurred by you in making a claim under this Einhell Express Guarantee, unless specified otherwise in this guarantee certificate, must be borne by you.

Of course, we are also happy to offer a chargeable repair service for any defects which are not covered by the scope of the Einhell Express Guarantee or for products which are no longer covered by the Einhell Express Guarantee. To take advantage of this service, please send the product to our service address.

EINHELL AUSTRALIA PTY LTD
 6/166 Wellington Street- Collingwood VIC 3066
 Australia - Phone: 1300 922 271





EH 04/2012 (01)

