

CMI

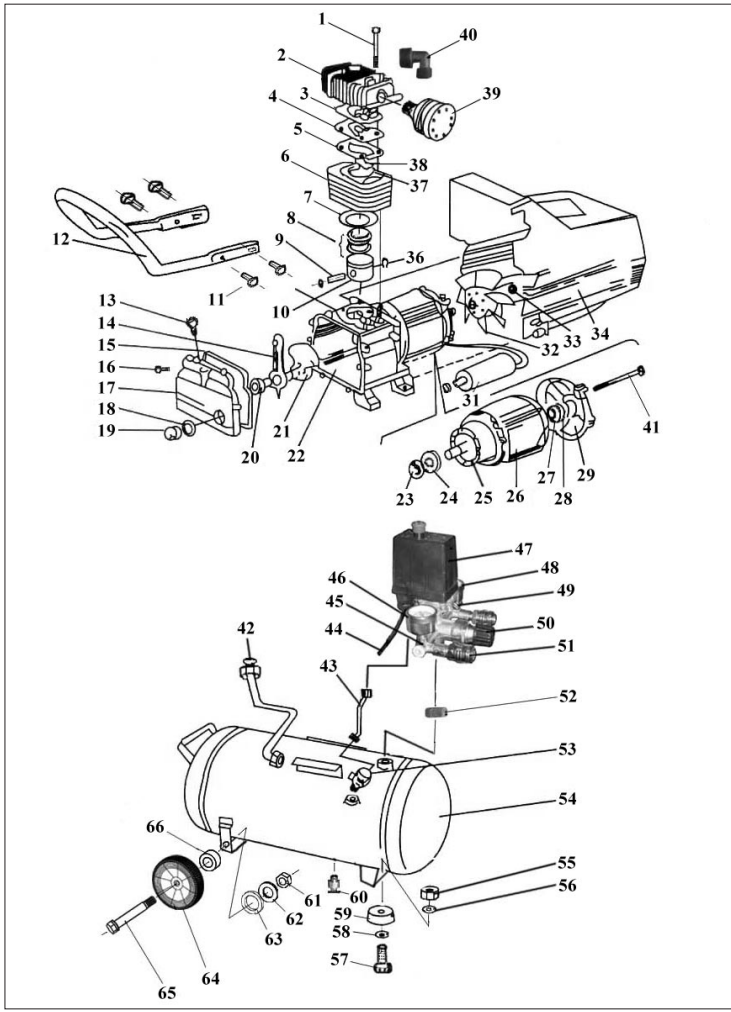
- Ⓓ Ersatzteilliste
Kompressor
- Ⓕ Liste des pièces de rechange
Compresseur
- Ⓘ Elenco ricambi
Compressore
- Ⓗ Pótalkatrész lista
Air-Tech Kompresszor
- ⒸZ Seznam náhradních dílů
Kompresor
- Ⓔ Seznam nadomestnih delov
Kompresorja
- ⒽR Popis rezervnih dijelova
Kompresor
- ⒶL Lista części zamiennych
Sprężarka
- ⒶS Перечень запчастей
Компрсор
- ⒶH Popis rezervnih dijelova
Kompresor



OBI MC: 212544
EH-Art.Nr.: 40.101.20

I.Nr.: 01014

C-8/50 CMI



Ersatzteilliste C 8/50 CMI

Art.-Nr.: 40.101.20 I.-Nr.: 01014

| Pos. | Bezeichnung | Ersatzteil-Nr |
|------|-----------------------|---------------|
| 01 | Sechskantschraube | 50.058.60 |
| 02 | Zylinderkopf | 40.072.50.51 |
| 03 | Zylinderkopfdichtung | 40.072.50.52 |
| 04 | Ventilplatte | 40.072.50.53 |
| 05 | Ventilplattendichtung | 40.072.50.54 |
| 06 | Zylinder | 40.072.50.55 |
| 07 | Zylinderdichtung | 40.072.50.56 |
| 08 | Kolbenringset | 40.072.50.57 |
| 09 | Kolbenbolzen | 40.072.50.58 |
| 10 | Kolben | 40.072.50.59 |
| 11 | Schraube | 40.072.50.60 |
| 12 | Schubbügel | 40.072.50.61 |
| 13 | Öleinfüllschraube | 40.072.50.62 |
| 14 | Pleuel | 40.072.50.63 |
| 15 | Dichtung | 40.072.50.64 |
| 16 | Schraube | 40.072.50.65 |
| 17 | Kurbelgehäusedeckel | 40.072.50.66 |
| 18 | Dichtung | 40.072.50.67 |
| 19 | Ölsichtglas | 40.072.50.68 |
| 20 | Inbusschraube | 40.072.50.69 |
| 21 | Kurbelwelle | 40.072.50.70 |
| 22 | Kurbelgehäuse | 40.072.50.71 |
| 23 | Dichtring | 40.072.50.72 |
| 24 | Kugellager 6204 | 40.100.40.10 |
| 25 | Rotor | 40.072.50.73 |
| 26 | Stator | 40.072.50.74 |
| 27 | Kugellager 6202 | 41.712.01.22 |
| 28 | Wellscheibe | 40.072.50.75 |
| 29 | Motorflansch | 40.072.50.76 |
| 31 | Kondensator | 40.072.50.77 |
| 32 | Lüfterrad | 40.072.50.78 |
| 33 | Sicherungsring | 40.072.50.79 |
| 34 | Abdeckung | 40.072.50.80 |
| 36 | Sicherungsring | 40.072.50.82 |
| 37 | Passstift | 40.072.50.83 |
| 38 | Ventil | 40.072.50.84 |
| 39 | Luffilter komplett | 40.072.50.85 |
| 40 | Anschlusswinkel | 40.072.50.86 |
| 41 | Schraube | 40.072.50.87 |

D

| Pos. | Bezeichnung | Ersatzteil-Nr |
|------|-------------------------|---------------|
| 42 | Druckleitung | 40.101.10.30 |
| 43 | Entlüftungsleitung | 40.101.10.31 |
| 44 | Netzleitung | 40.072.50.90 |
| 45 | Verteiler | 40.072.50.91 |
| 46 | Manometer | 40.072.50.92 |
| 47 | Druckschalter | 40.072.50.93 |
| 48 | Manometer | 40.072.50.94 |
| 49 | Sicherheitsventil | 40.072.50.95 |
| 50 | Druckregler | 40.072.50.96 |
| 51 | Schnellkupplung | 40.072.50.97 |
| 52 | Gegenmutter | 40.101.10.32 |
| 53 | Rückschlagventil | 40.101.10.33 |
| 54 | Behälter | 40.101.10.34 |
| 55 | Mutter M8 | 40.101.10.35 |
| 56 | Unterlegscheibe 8.4 mm | 40.101.10.36 |
| 57 | Sechskantschraube | 40.101.10.37 |
| 58 | Unterlegscheibe 8.4 mm | 40.101.10.38 |
| 59 | Gummifuss | 40.101.10.39 |
| 60 | Ablassschraube | 40.101.10.40 |
| 61 | Sechskantmutter M10 | 40.101.10.41 |
| 62 | Federring 10 | 40.101.10.42 |
| 63 | Unterlegscheibe 10 | 40.101.10.43 |
| 64 | Rad | 40.101.10.44 |
| 65 | Radbefestigungsschraube | 40.101.10.45 |
| 66 | Buchse | 40.101.10.46 |

Liste des pièces de rechange C 8/50 CMI Art.-Nr.: 40.101.20 I.-Nr.: 01014

| Pos. | Désignation | No pièce de rechange |
|------|---------------------------------------|----------------------|
| 01 | Vis à tête hexagonale | 50.058.60 |
| 02 | Culasse | 40.072.50.51 |
| 03 | Joint de culasse | 40.072.50.52 |
| 04 | Siège de soupapes | 40.072.50.53 |
| 05 | Joint de siège de soupapes | 40.072.50.54 |
| 06 | Cylindre | 40.072.50.55 |
| 07 | Joint de cylindre | 40.072.50.56 |
| 08 | Jeu de segments de piston | 40.072.50.57 |
| 09 | Axe de piston | 40.072.50.58 |
| 10 | Piston | 40.072.50.59 |
| 11 | Vis | 40.072.50.60 |
| 12 | Arceau de poussée | 40.072.50.61 |
| 13 | Bouchon fileté de remplissage d'huile | 40.072.50.62 |
| 14 | Bielle motrice | 40.072.50.63 |
| 15 | Joint | 40.072.50.64 |
| 16 | Vis | 40.072.50.65 |
| 17 | Couvercle de carter de moteur | 40.072.50.66 |
| 18 | Joint | 40.072.50.67 |
| 19 | Verre-regard de contrôle d'huile | 40.072.50.68 |
| 20 | Boulon à tête à six pans creux | 40.072.50.69 |
| 21 | Arbre à manivelle | 40.072.50.70 |
| 22 | Boîte de manivelle | 40.072.50.71 |
| 23 | Bague d'étanchéité | 40.072.50.72 |
| 24 | Roulement à billes | 40.100.40.10 |
| 25 | Rotor | 40.072.50.73 |
| 26 | Stator | 40.072.50.74 |
| 27 | Roulement à billes 6202 | 41.712.01.22 |
| 28 | Rondelle ondulée | 40.072.50.75 |
| 29 | Bride de moteur | 40.072.50.76 |
| 31 | Condensateur | 40.072.50.77 |
| 32 | Roue de ventilateur | 40.072.50.78 |
| 33 | Circlip | 40.072.50.79 |
| 34 | Couverture | 40.072.50.80 |
| 36 | Circlip | 40.072.50.82 |
| 37 | Goujon d'assemblage | 40.072.50.83 |
| 38 | Soupape | 40.072.50.84 |
| 39 | Filtre à air, complet | 40.072.50.85 |
| 40 | Cornière d'assemblage | 40.072.50.86 |
| 41 | Vis | 40.072.50.87 |
| 42 | Conduite forcée | 40.101.10.30 |

F

| | | |
|----|-------------------------------|--------------|
| 43 | Conduite d'évacuation d'air | 40.101.10.31 |
| 44 | Ligne du secteur | 40.072.50.90 |
| 45 | Distributeur | 40.072.50.91 |
| 46 | Manomètre | 40.072.50.92 |
| 47 | Manocontacteur | 40.072.50.93 |
| 48 | Manomètre | 40.072.50.94 |
| 49 | Soupape de sécurité | 40.072.50.95 |
| 50 | Régulateur de pression | 40.072.50.96 |
| 51 | Raccord à verrouillage rapide | 40.072.50.97 |
| 52 | Contre-écro | 40.101.10.32 |
| 53 | Soupape de non-retour | 40.101.10.33 |
| 54 | Réservoir | 40.101.10.34 |
| 55 | Ecrou M8 | 40.101.10.35 |
| 56 | Rondelle 8,4 mm | 40.101.10.36 |
| 57 | Vis à tête hexagonale | 40.101.10.37 |
| 58 | Rondelle 8,4 mm | 40.101.10.38 |
| 59 | Pied caoutchouc | 40.101.10.39 |
| 60 | Bouchon de décharge | 40.101.10.40 |
| 61 | Ecrou hexagonal M10 | 40.101.10.41 |
| 62 | Rondelle élastique bombée 10 | 40.101.10.42 |
| 63 | Rondelle 10 | 40.101.10.43 |
| 64 | Roue | 40.101.10.44 |
| 65 | Vis de fixation de roue | 40.101.10.45 |
| 66 | Douille | 40.101.10.46 |

Elenco ricambi C-8/50 CMI

Art.-Nr.: 40.101.20

I.-Nr.: 01014

| Pos. | Désignation | No pièce de rechange |
|------|---------------------------------|----------------------|
| 01 | Vite a testa esagonale | 50.058.60 |
| 02 | Testa del cilindro | 40.072.50.51 |
| 03 | Guarnizione testa cilindro | 40.072.50.52 |
| 04 | Valvola a disco | 40.072.50.53 |
| 05 | Guarnizione valvola a disco | 40.072.50.54 |
| 06 | Cilindro | 40.072.50.55 |
| 07 | Guarnizione cilindro | 40.072.50.56 |
| 08 | Gruppo anelli di tenuta pistone | 40.072.50.57 |
| 09 | Perno del pistone | 40.072.50.58 |
| 10 | Pistone | 40.072.50.59 |
| 11 | Vite | 40.072.50.60 |
| 12 | Staffa di spinta | 40.072.50.61 |
| 13 | Vite di rabbocco olio | 40.072.50.62 |
| 14 | Biella | 40.072.50.63 |
| 15 | Guarnizione | 40.072.50.64 |
| 16 | Vite | 40.072.50.65 |
| 17 | Coperchio monoblocco | 40.072.50.66 |
| 18 | Guarnizione | 40.072.50.67 |
| 19 | Vetro di ispezione olio | 40.072.50.68 |
| 20 | Vite a esagono cavo | 40.072.50.69 |
| 21 | Albero motore | 40.072.50.70 |
| 22 | Monoblocco | 40.072.50.71 |
| 23 | Anello di tenuta | 40.072.50.72 |
| 24 | Cuscinetto a sfere 6204 | 40.100.40.10 |
| 25 | Rotore | 40.072.50.73 |
| 26 | Statore | 40.072.50.74 |
| 27 | Cuscinetto a sfere 6202 | 41.712.01.22 |
| 28 | Disco ondulato | 40.072.50.75 |
| 29 | Flangia motore | 40.072.50.76 |
| 31 | Condensatore | 40.072.50.77 |
| 32 | Ventola | 40.072.50.78 |
| 33 | Anello di tenuta | 40.072.50.79 |
| 34 | Coperchio | 40.072.50.80 |
| 36 | Anello di tenuta | 40.072.50.82 |
| 37 | Spina di registro | 40.072.50.83 |
| 38 | Valvola | 40.072.50.84 |
| 39 | Filtro dell'aria completo | 40.072.50.85 |
| 40 | Angolo di raccordo | 40.072.50.86 |
| 41 | Vite | 40.072.50.8 |
| 42 | Tube di mandata | 40.101.10.30 |

I

| | | |
|----|-------------------------|--------------|
| 43 | Tubo di sfiato | 40.101.10.31 |
| 44 | Linea di rete | 40.072.50.90 |
| 45 | Distributore | 40.072.50.91 |
| 46 | Manometro | 40.072.50.92 |
| 47 | Pressostato | 40.072.50.93 |
| 48 | Manometro | 40.072.50.94 |
| 49 | Valvola di sicurezza | 40.072.50.95 |
| 50 | Regolatore di pressione | 40.072.50.96 |
| 51 | Giunto rapido | 40.072.50.97 |
| 52 | Controdado | 40.101.10.32 |
| 53 | Valvola di non ritorno | 40.101.10.33 |
| 54 | Serbatoio | 40.101.10.34 |
| 55 | Dado M8 | 40.101.10.35 |
| 56 | Rondella 8.4 mm | 40.101.10.36 |
| 57 | Vite a testa esagonale | 40.101.10.37 |
| 58 | Rondella 8.4 mm | 40.101.10.38 |
| 59 | Piedino in gomma | 40.101.10.39 |
| 60 | Vite di scarico | 40.101.10.40 |
| 61 | Dado esagonale M10 | 40.101.10.41 |
| 62 | Rondella elastica 10 | 40.101.10.42 |
| 63 | Rondella 10 | 40.101.10.43 |
| 64 | Ruota | 40.101.10.44 |
| 65 | Vite di fissaggio ruota | 40.101.10.45 |
| 66 | Bussola | 40.101.10.46 |

Pótalkatrész lista C-8/50 CMI

Art.-Nr.: 40.101.20

I.-Nr.: 01014

| Tét. | Elnevezés | Pótalkatrész sz. |
|------|-----------------------|------------------|
| 01 | Hatlapófejű csavar | 50.058.60 |
| 02 | Hengerfej | 40.072.50.51 |
| 03 | Hengerfej tömítés | 40.072.50.52 |
| 04 | Szeleplemez | 40.072.50.53 |
| 05 | Szeleplemez tömítés | 40.072.50.54 |
| 06 | Henger | 40.072.50.55 |
| 07 | Hengertömítés | 40.072.50.56 |
| 08 | Dugattyúgyűrű készlet | 40.072.50.57 |
| 09 | Dugattyúcsap | 40.072.50.58 |
| 10 | Dugattyú | 40.072.50.59 |
| 11 | Csavar | 40.072.50.60 |
| 12 | Tolókegyel | 40.072.50.61 |
| 13 | Olajtöltő csavar | 40.072.50.62 |
| 14 | Hajtórúd | 40.072.50.63 |
| 15 | Tömítés | 40.072.50.64 |
| 16 | Csavar | 40.072.50.65 |
| 17 | Forgattyúsház fedél | 40.072.50.66 |
| 18 | Tömítés | 40.072.50.67 |
| 19 | Olajkémlelő ablak | 40.072.50.68 |
| 20 | Inbusz csavar | 40.072.50.69 |
| 21 | Forgattyústengely | 40.072.50.70 |
| 22 | Forgattyúsház | 40.072.50.71 |
| 23 | Tömítőgyűrű | 40.072.50.72 |
| 24 | Golyócsapágy 6204 | 40.100.40.10 |
| 25 | Forgórész | 40.072.50.73 |
| 26 | Állórész | 40.072.50.74 |
| 27 | Golyócsapágy 6202 | 41.712.01.22 |
| 28 | Hullámos alátét | 40.072.50.75 |
| 29 | Motorperem | 40.072.50.76 |
| 31 | Kondenzátor | 40.072.50.77 |
| 32 | Ventilátorkerék | 40.072.50.78 |
| 33 | Biztosító gyűrű | 40.072.50.79 |
| 34 | Takarás | 40.072.50.80 |
| 36 | Biztosító gyűrű | 40.072.50.82 |
| 37 | Illesztőcsap | 40.072.50.83 |
| 38 | Szelep | 40.072.50.84 |
| 39 | Légszűrő, komplett | 40.072.50.85 |
| 40 | Csatlakozókönyök | 40.072.50.86 |
| 41 | Csavar | 40.072.50.87 |
| 42 | Nyomóvezeték | 40.101.10.30 |

H

| | | |
|----|-------------------------|--------------|
| 43 | Légtelenítő vezeték | 40.101.10.31 |
| 44 | Hálózati vezeték | 40.072.50.90 |
| 45 | Elosztó | 40.072.50.91 |
| 46 | Manométer | 40.072.50.92 |
| 47 | Nyomáskapcsoló | 40.072.50.93 |
| 48 | Manométer | 40.072.50.94 |
| 49 | Biztonsági szelep | 40.072.50.95 |
| 50 | Nyomásszabályozó | 40.072.50.96 |
| 51 | Gyorskapcsoló | 40.072.50.97 |
| 52 | Ellenanya | 40.101.10.32 |
| 53 | Visszacsapó szelep | 40.101.10.33 |
| 54 | Tartály | 40.101.10.34 |
| 55 | Anyá M8 | 40.101.10.35 |
| 56 | Alátétkarika 8.4 mm | 40.101.10.36 |
| 57 | Hatlapféji csavar | 40.101.10.37 |
| 58 | Alátétkarika 8.4 mm | 40.101.10.38 |
| 59 | Gumi láb | 40.101.10.39 |
| 60 | Leeresztő csavar | 40.101.10.40 |
| 61 | Hatlapú anya M10 | 40.101.10.41 |
| 62 | Rugós alátét 10 | 40.101.10.42 |
| 63 | Alátétkarika 10 | 40.101.10.43 |
| 64 | Kerék | 40.101.10.44 |
| 65 | Kerék-felerősítő csavar | 40.101.10.45 |
| 66 | Persely | 40.101.10.46 |

Seznam náhradních dílů C-8/50 CMI

Art.-Nr.: 40.101.20 I-Nr.: 01014

| Pol | Označení | Č. náhradního dílu |
|-----|-----------------------------|--------------------|
| 01 | Šroub s šestihrannou hlavou | 50.058.60 |
| 02 | Hlava válců | 40.072.50.51 |
| 03 | Těsnění hlavy válců | 40.072.50.52 |
| 04 | Ventilová deska | 40.072.50.53 |
| 05 | Těsnění ventilové desky | 40.072.50.54 |
| 06 | Válec | 40.072.50.55 |
| 07 | Tůsnění válce | 40.072.50.56 |
| 08 | Souprava pístních kroulků | 40.072.50.57 |
| 09 | Pístní čep | 40.072.50.58 |
| 10 | Píst | 40.072.50.59 |
| 11 | Šroub | 40.072.50.60 |
| 12 | Zásuvný třmen | 40.072.50.61 |
| 13 | Plnicí šroub oleje | 40.072.50.62 |
| 14 | Ojnice | 40.072.50.63 |
| 15 | Těsnění | 40.072.50.64 |
| 16 | Šroub4 | 0.072.50.65 |
| 17 | Víko klikové skříně | 40.072.50.66 |
| 18 | Těsnění | 40.072.50.67 |
| 19 | Olejové průhledítko | 40.072.50.68 |
| 20 | Ingusový šroub | 40.072.50.69 |
| 21 | Klikový hřídel | 40.072.50.70 |
| 22 | Kliková skříň | 40.072.50.71 |
| 23 | Těsnící kroužek | 40.072.50.72 |
| 24 | Kuličkové ložisko 6204 | 40.100.40.10 |
| 25 | Rotor | 40.072.50.73 |
| 26 | Stator | 40.072.50.74 |
| 27 | Kuličkové ložisko 6202 | 41.712.01.22 |
| 28 | Vlnitá podložka | 40.072.50.75 |
| 29 | Přiruba motoru | 40.072.50.76 |
| 31 | Kondenzátor | 40.072.50.77 |
| 32 | Kolo ventilátoru | 40.072.50.78 |
| 33 | Pojistný kroužek | 40.072.50.79 |
| 34 | Kryt | 40.072.50.80 |
| 36 | Pojistný kroužek | 40.072.50.82 |
| 37 | Spojovací kolík | 40.072.50.83 |
| 38 | Ventil | 40.072.50.84 |
| 39 | Vzduchový filtr, kompletní | 40.072.50.85 |
| 40 | Připojovací úhelník | 40.072.50.86 |
| 41 | Šroub | 40.072.50.87 |
| 42 | Tlakové potrubí | 40.101.10.30 |
| 43 | Odvzdušňovací potrubí | 40.101.10.31 |
| 44 | Síťové vedení | 40.072.50.90 |
| 45 | Rozdělovač | 40.072.50.91 |
| 46 | Manometr | 40.072.50.92 |
| 47 | Tlakový spínač | 40.072.50.93 |
| 48 | Manometr | 40.072.50.94 |
| 49 | Pojistný ventil | 40.072.50.95 |
| 50 | Regulátor tlaku | 40.072.50.96 |
| 51 | Rychlospojka | 40.072.50.97 |
| 52 | Kontramatice | 40.101.10.32 |
| 53 | Zpětný ventil | 40.101.10.33 |

CZ

| | | |
|----|------------------------------|--------------|
| 54 | Nádrž | 40.101.10.34 |
| 55 | Matice M8 | 40.101.10.35 |
| 56 | Podložka 8.4 mm | 40.101.10.36 |
| 57 | Šroub se šestihrannou hlavou | 40.101.10.37 |
| 58 | Podložka 8.4 mm | 40.101.10.38 |
| 59 | Pryžová patka | 40.101.10.39 |
| 60 | Vypouštěcí šroub | 40.101.10.40 |
| 61 | Šestihranná matice M10 | 40.101.10.41 |
| 62 | Pružný kroužek 10 | 40.101.10.42 |
| 63 | Podložka 10 | 40.101.10.43 |
| 64 | Kolo | 40.101.10.44 |
| 65 | Šroub k upevnění kola | 40.101.10.45 |
| 66 | Zdířka | 40.101.10.46 |

| Pol | Oznaka | Št. nad. dela |
|-----|---------------------------------|---------------|
| 01 | Sestrobni vijak | 50.058.60 |
| 02 | Glava valja | 40.072.50.51 |
| 03 | Tesnilo glave valja | 40.072.50.52 |
| 04 | Ploščica ventila | 40.072.50.53 |
| 05 | Tesnilo ploščice ventila | 40.072.50.54 |
| 06 | Cilinder | 40.072.50.55 |
| 07 | Tesnilo cilindra | 40.072.50.56 |
| 08 | Komplet batnih obročkov | 40.072.50.57 |
| 09 | Batni zatič | 40.072.50.58 |
| 10 | Bat | 40.072.50.59 |
| 11 | Vijak | 40.072.50.60 |
| 12 | Potisni ročaj | 40.072.50.61 |
| 13 | Vijak za polnjenje olja | 40.072.50.62 |
| 14 | Ojnica | 40.072.50.63 |
| 15 | Tesnilo | 40.072.50.64 |
| 16 | Vijak | 40.072.50.65 |
| 17 | Pokrov ročične gredi | 40.072.50.66 |
| 18 | Tesnilo | 40.072.50.67 |
| 19 | Okno za preverjanje nivoja olja | 40.072.50.68 |
| 20 | Inbus vijak | 40.072.50.69 |
| 21 | Ročična gred | 40.072.50.70 |
| 22 | Okrov ročične gredi | 40.072.50.71 |
| 23 | Tesnilo | 40.072.50.72 |
| 24 | Kroglični ležaj 6204 | 40.100.40.10 |
| 25 | Rotor | 40.072.50.73 |
| 26 | Stator | 40.072.50.74 |
| 27 | Kroglični ležaj 6202 | 41.712.01.22 |
| 28 | Podložka | 40.072.50.75 |
| 29 | Prirobnica motorja | 40.072.50.76 |
| 31 | Kondenzator | 40.072.50.77 |
| 32 | Kolo ventilatorja | 40.072.50.78 |
| 33 | Varnostna objemka | 40.072.50.79 |
| 34 | Pokrov | 40.072.50.80 |
| 36 | Varnostna objemka | 40.072.50.82 |
| 37 | Velikostni zatič | 40.072.50.83 |
| 38 | Ventil | 40.072.50.84 |
| 39 | Zračni filter celoten | 40.072.50.85 |
| 40 | Priključni kotnik | 40.072.50.86 |
| 41 | Vijak | 40.072.50.87 |
| 42 | Tlačni vod | 40.101.10.30 |
| 43 | Odzračevalni vod | 40.101.10.31 |
| 44 | Omrežni vod | 40.072.50.90 |
| 45 | Razdelilnik | 40.072.50.91 |
| 46 | Manometer | 40.072.50.92 |
| 47 | Tlačno stikalo | 40.072.50.93 |
| 48 | Manometer | 40.072.50.94 |
| 49 | Varnostni ventil | 40.072.50.95 |
| 50 | Regulator tlaka | 40.072.50.96 |
| 51 | Hitra spojka | 40.072.50.97 |
| 52 | Nasprotna matica | 40.101.10.32 |
| 53 | Povratni ventil | 40.101.10.33 |

SLO

| | | |
|----|------------------------------|--------------|
| 54 | Posoda | 40.101.10.34 |
| 55 | Matica M8 | 40.101.10.35 |
| 56 | Podložka 8.4 mm | 40.101.10.36 |
| 57 | Šestrobni vijak | 40.101.10.37 |
| 58 | Podložka 8.4 mm | 40.101.10.38 |
| 59 | Gumijasta noga | 40.101.10.39 |
| 60 | Izpustni vijak | 40.101.10.40 |
| 61 | Šestrobna matica M10 | 40.101.10.41 |
| 62 | Vzmetni obroček 10 | 40.101.10.42 |
| 63 | Podložka 10 | 40.101.10.43 |
| 64 | Kolo | 40.101.10.44 |
| 65 | Vijak za pritrjevanje kolesa | 40.101.10.45 |
| 66 | Puša | 40.101.10.46 |

Popis rezervnih dijelova C-8/50 CMI

Art.-Nr.: 40.101.20

I.-Nr.: 01014

| Poz. | Opis | Broj rezervnog dijela |
|------|--------------------------------|-----------------------|
| 01 | Sesterokutni vijak | 50.058.60 |
| 02 | Glava cilindra | 40.072.50.51 |
| 03 | Brtvilo glave cilindra | 40.072.50.52 |
| 04 | Ploča ventila | 40.072.50.53 |
| 05 | Brtvilo ploče ventila | 40.072.50.54 |
| 06 | Cilindar | 40.072.50.55 |
| 07 | Brtvilo cilindra | 40.072.50.56 |
| 08 | Komplet stapnih prstena | 40.072.50.57 |
| 09 | Stapni klin | 40.072.50.58 |
| 10 | Stap | 40.072.50.59 |
| 11 | Vijak | 40.072.50.60 |
| 12 | Posmični stremen | 40.072.50.61 |
| 13 | Vijak za ulijevanje ulja | 40.072.50.62 |
| 14 | Klip | 40.072.50.63 |
| 15 | Brtvilo | 40.072.50.64 |
| 16 | Vijak | 40.072.50.65 |
| 17 | Poklopac kućišta koljena | 40.072.50.66 |
| 18 | Brtvilo | 40.072.50.67 |
| 19 | Staklo za gledanje razine ulja | 40.072.50.68 |
| 20 | Imbus vijak | 40.072.50.69 |
| 21 | Koljenasta osovinica | 40.072.50.70 |
| 22 | Kućište koljena | 40.072.50.71 |
| 23 | Prsten za brtvljenje | 40.072.50.72 |
| 24 | Kuglični ležaj 6204 | 40.100.40.10 |
| 25 | Rotor | 40.072.50.73 |
| 26 | Stator | 40.072.50.74 |
| 27 | Kuglični ležaj6202 | 41.712.01.22 |
| 28 | Valovita ploča | 40.072.50.75 |
| 29 | Prirubnica motora | 40.072.50.76 |
| 31 | Kondenzator | 40.072.50.77 |
| 32 | Ventilacijsko kolo | 40.072.50.78 |
| 33 | Sigurnosni prsten | 40.072.50.79 |
| 34 | Pokrov | 40.072.50.80 |
| 36 | Sigurnosni prsten | 40.072.50.82 |
| 37 | Prilagodni zatik | 40.072.50.83 |
| 38 | Ventil | 40.072.50.84 |
| 39 | Zračni filter kompletan | 40.072.50.85 |
| 40 | Priključni kut | 40.072.50.86 |
| 41 | Vijak | 40.072.50.87 |
| 42 | Pneumatični vod | 40.101.10.30 |
| 43 | Vod odzračivanja | 40.101.10.31 |
| 44 | Mrežni vod | 40.072.50.90 |
| 45 | Razdjelnik | 40.072.50.91 |
| 46 | Manometar | 40.072.50.92 |
| 47 | Pritisna sklopka | 40.072.50.93 |
| 48 | Manometar | 40.072.50.94 |
| 49 | Sigurnosni ventil | 40.072.50.95 |
| 50 | Regulator pritiska | 40.072.50.96 |
| 51 | Brza spojka | 40.072.50.97 |
| 52 | Protumatica | 40.101.10.32 |

HR

| | | |
|----|------------------------------|--------------|
| 53 | Ventil povratnog udara | 40.101.10.33 |
| 54 | Posuda | 40.101.10.34 |
| 55 | Matica MB | 40.101.10.35 |
| 56 | Podložna pločica 8,4 mm | 40.101.10.36 |
| 57 | Šesterokutni vijak | 40.101.10.37 |
| 58 | Podložna pločica 8,4 mm | 40.101.10.38 |
| 59 | Gumena noga | 40.101.10.39 |
| 60 | Ispusni vijak | 40.101.10.40 |
| 61 | Šesterokutna matica M10 | 40.101.10.41 |
| 62 | Opružni prsten 10 | 40.101.10.42 |
| 63 | Podložna pločica | 40.101.10.43 |
| 64 | Kolo | 40.101.10.44 |
| 65 | Vijak za pričvršćivanje kola | 40.101.10.45 |
| 66 | Kutija | 40.101.10.46 |

| Poz. | Opis | Nr cz.zam. |
|------|-----------------------------|--------------|
| 01 | Sruba z łbem sześciokątnym | 50.058.60 |
| 02 | Głowica cylindra | 40.072.50.51 |
| 03 | Uszczelka głowicy cylindra | 40.072.50.52 |
| 04 | Płyta zaworowa | 40.072.50.53 |
| 05 | Uszczelka płyty zaworowej | 40.072.50.54 |
| 06 | Cylinder | 40.072.50.55 |
| 07 | Uszczelka cylindra | 40.072.50.56 |
| 08 | Zestaw pierścieni tłokowych | 40.072.50.57 |
| 09 | Sworzeń tłokowy | 40.072.50.58 |
| 10 | Tłok | 40.072.50.59 |
| 11 | Sruba | 40.072.50.60 |
| 12 | Pałak posuwny | 40.072.50.61 |
| 13 | Sruba wlewu oleju | 40.072.50.62 |
| 14 | Korbowód | 40.072.50.63 |
| 15 | Uszczelka | 40.072.50.64 |
| 16 | Sruba | 40.072.50.65 |
| 17 | Pokrywa skrzyni korbowej | 40.072.50.66 |
| 18 | Uszczelka | 40.072.50.67 |
| 19 | Wziernik poziomu oleju | 40.072.50.68 |
| 20 | Sruba imbusowa | 40.072.50.69 |
| 21 | Wał korbowy | 40.072.50.70 |
| 22 | Skrzynia korbową | 40.072.50.71 |
| 23 | Pierścień uszczelniający | 40.072.50.72 |
| 24 | Łożysko kulkowe 6204 | 40.100.40.10 |
| 25 | Wirnik | 40.072.50.73 |
| 26 | Stojan | 40.072.50.74 |
| 27 | Łożysko kulkowe 6202 | 41.712.01.22 |
| 28 | Tarcza wału | 40.072.50.75 |
| 29 | Kolnierz silnikowy | 40.072.50.76 |
| 31 | Kondensator | 40.072.50.77 |
| 32 | Wirnik wentylatora | 40.072.50.78 |
| 33 | Pierścień zabezpieczający | 40.072.50.79 |
| 34 | Oslona | 40.072.50.80 |
| 36 | Pierścień zabezpieczający | 40.072.50.82 |
| 37 | Bolec pasowany | 40.072.50.83 |
| 38 | Zawór | 40.072.50.84 |
| 39 | Filtr powietrza kompletny | 40.072.50.85 |
| 40 | Kątownik przyłączeniowy | 40.072.50.86 |
| 41 | Sruba | 40.072.50.87 |
| 42 | Przewód tłoczny | 40.101.10.30 |
| 43 | Przewód odpowietrzający | 40.101.10.31 |
| 44 | Przewód sieciowy | 40.072.50.90 |
| 45 | Rozdzielacz | 40.072.50.91 |
| 46 | Manometr | 40.072.50.92 |
| 47 | Wyłącznik ciśnieniowy | 40.072.50.93 |
| 48 | Manometr | 40.072.50.94 |
| 49 | Zawór bezpieczeństwa | 40.072.50.95 |
| 50 | Regulator ciśnienia | 40.072.50.96 |
| 51 | Szybkozłączka | 40.072.50.97 |
| 52 | Przeciwnakrętka | 40.101.10.32 |

PL

| | | |
|----|----------------------------|--------------|
| 53 | Zawór zwrotny | 40.101.10.33 |
| 54 | Zbiornik | 40.101.10.34 |
| 55 | Nakrętka M8 | 40.101.10.35 |
| 56 | Podkładka 8.4 mm | 40.101.10.36 |
| 57 | Śruba z łbem sześciokątnym | 40.101.10.37 |
| 58 | Podkładka 8.4 mm | 40.101.10.38 |
| 59 | Stopka gumowa | 40.101.10.39 |
| 60 | Śruba spustowa | 40.101.10.40 |
| 61 | Nakrętka sześciokątna M10 | 40.101.10.41 |
| 62 | Pierścień sprężynujący 10 | 40.101.10.42 |
| 63 | Podkładka 10 | 40.101.10.43 |
| 64 | Koło | 40.101.10.44 |
| 65 | Śruba mocująca koło | 40.101.10.45 |
| 66 | Tuleja | 40.101.10.46 |

| Поз. | Обозначение | № запчасти |
|------|--|--------------|
| 01 | Винт с шестигранной головкой | 50.058.60 |
| 02 | Цилиндрическая головка | 40.072.50.51 |
| 03 | Уплотнение цилиндрической головки | 40.072.50.52 |
| 04 | Пластина клапана | 40.072.50.53 |
| 05 | Уплотнение пластины клапана | 40.072.50.54 |
| 06 | Цилиндр | 40.072.50.55 |
| 07 | Уплотнение цилиндра | 40.072.50.56 |
| 08 | Комплект поршневых колец | 40.072.50.5 |
| 09 | Поршневой палец | 40.072.50.58 |
| 10 | Поршень | 40.072.50.59 |
| 11 | Винт | 40.072.50.60 |
| 12 | Тяговая скоба | 40.072.50.61 |
| 13 | Резьбовая пробка маслосливного отверстия | 40.072.50.62 |
| 14 | Шатун | 40.072.50.63 |
| 15 | Прокладка | 40.072.50.64 |
| 16 | Винт | 40.072.50.65 |
| 17 | Крышка картера | 40.072.50.66 |
| 18 | Прокладка | 40.072.50.67 |
| 19 | Масломерное стекло | 40.072.50.68 |
| 20 | Винт с внутренним шестигранником | 40.072.50.69 |
| 21 | Коленчатый вал | 40.072.50.70 |
| 22 | Картер | 40.072.50.71 |
| 23 | Уплотнительное кольцо | 40.072.50.72 |
| 24 | Шарикоподшипник 6204 | 40.100.40.10 |
| 25 | Ротор | 40.072.50.73 |
| 26 | Статор | 40.072.50.74 |
| 27 | Шарикоподшипник 6202 | 41.712.01.22 |
| 28 | Гофрированная шайба | 40.072.50.75 |
| 29 | Фланец двигателя | 40.072.50.76 |
| 31 | Конденсатор | 40.072.50.77 |
| 32 | Крыльчатка вентилятора | 0.072.50.78 |
| 33 | Упорное кольцо | 40.072.50.79 |
| 34 | Кожух | 40.072.50.80 |
| 36 | Упорное кольцо | 40.072.50.82 |
| 37 | Установочный штифт | 40.072.50.83 |
| 38 | Клапан | 40.072.50.84 |
| 39 | Воздушный фильтр в комплекте | 40.072.50.85 |
| 40 | Соединительный уголок | 40.072.50.86 |
| 41 | Винт | 40.072.50.87 |
| 42 | Напорный трубопровод | 40.101.10.30 |
| 43 | Вентиляционный трубопровод | 40.101.10.31 |
| 44 | Сетевой провод | 40.072.50.90 |
| 45 | Распределитель | 40.072.50.91 |
| 46 | Манометр | 40.072.50.9 |
| 47 | Манометрический выключатель | 40.072.50.93 |
| 48 | Манометр | 40.072.50.94 |
| 49 | Предохранительный клапан | 40.072.50.95 |
| 50 | Регулятор давления | 40.072.50.96 |
| 51 | Быстродействующая муфта | 40.072.50.97 |
| 52 | Контргайка | 40.101.10.32 |

RUS

| | | |
|----|-------------------------------------|--------------|
| 53 | Обратный клапан | 40.101.10.33 |
| 54 | Бак | 40.101.10.34 |
| 55 | Гайка M8 | 40.101.10.35 |
| 56 | Подкладная шайба 8.4 mm | 40.101.10.36 |
| 57 | Винт с шестигранной головкой | 40.101.10.37 |
| 58 | Подкладная шайба 8.4 mm | 40.101.10.38 |
| 59 | Резиновое основание | 40.101.10.39 |
| 60 | Резьбовая пробка сливного отверстия | 40.101.10.40 |
| 61 | Шестигранная гайка M10 | 40.101.10.41 |
| 62 | Пружинное кольцо 10 | 40.101.10.42 |
| 63 | Подкладная шайба 10 | 40.101.10.43 |
| 64 | Диск | 40.101.10.44 |
| 65 | Болт крепления колеса | 40.101.10.45 |
| 66 | Втулка | 40.101.10.46 |

| Poz. | Opis | Broj rezervnog dijela |
|------|--------------------------------|-----------------------|
| 01 | Šesterokutni vijak | 50.058.60 |
| 02 | Glava cilindra | 40.072.50.51 |
| 03 | Brtvilo glave cilindra | 40.072.50.52 |
| 04 | Ploča ventila | 40.072.50.53 |
| 05 | Brtvilo ploče ventila | 40.072.50.54 |
| 06 | Cilindar | 40.072.50.55 |
| 07 | Brtvilo cilindra | 40.072.50.56 |
| 08 | Komplet stapnih prstena | 40.072.50.57 |
| 09 | Stapni klin | 40.072.50.58 |
| 10 | Stap | 40.072.50.59 |
| 11 | Vijak | 40.072.50.60 |
| 12 | Posmični stremen | 40.072.50.61 |
| 13 | Vijak za ulijevanje ulja | 40.072.50.62 |
| 14 | Klip | 40.072.50.63 |
| 15 | Brtvilo | 40.072.50.64 |
| 16 | Vijak | 40.072.50.65 |
| 17 | Poklopac kućišta koljena | 40.072.50.66 |
| 18 | Brtvilo | 40.072.50.67 |
| 19 | Staklo za gledanje razine ulja | 40.072.50.68 |
| 20 | Imbus vijak | 40.072.50.69 |
| 21 | Koljenasta osovinina | 40.072.50.70 |
| 22 | Kućište koljena | 40.072.50.71 |
| 23 | Prsten za brtvljenje | 40.072.50.72 |
| 24 | Kuglični ležaj 6204 | 40.100.40.10 |
| 25 | Rotor | 40.072.50.73 |
| 26 | Stator | 40.072.50.74 |
| 27 | Kuglični ležaj6202 | 41.712.01.22 |
| 28 | Valovita ploča | 40.072.50.75 |
| 29 | Priрубnica motora | 40.072.50.76 |
| 31 | Kondenzator | 40.072.50.77 |
| 32 | Ventilacijsko kolo | 40.072.50.78 |
| 33 | Sigurnosni prsten | 40.072.50.79 |
| 34 | Pokrov | 40.072.50.80 |
| 36 | Sigurnosni prsten | 40.072.50.82 |
| 37 | Prilagodni zatik | 40.072.50.83 |
| 38 | Ventil | 40.072.50.84 |
| 39 | Zračni filter kompletan | 40.072.50.85 |
| 40 | Priključni kut | 40.072.50.86 |
| 41 | Vijak | 40.072.50.87 |
| 42 | Pneumatični vod | 40.101.10.30 |
| 43 | Vod odzračivanja | 40.101.10.31 |
| 44 | Mrežni vod | 40.072.50.90 |
| 45 | Razdjelnik | 40.072.50.91 |
| 46 | Manometar | 40.072.50.92 |
| 47 | Pritisna sklopka | 40.072.50.93 |
| 48 | Manometar | 40.072.50.94 |
| 49 | Sigurnosni ventil | 40.072.50.95 |
| 50 | Regulator pritiska | 40.072.50.96 |
| 51 | Brza spojka | 40.072.50.97 |
| 52 | Protumatica | 40.101.10.32 |

BIH

| | | |
|----|------------------------------|--------------|
| 53 | Ventil povratnog udara | 40.101.10.33 |
| 54 | Posuda | 40.101.10.34 |
| 55 | Matica MB | 40.101.10.35 |
| 56 | Podložna pločica 8,4 mm | 40.101.10.36 |
| 57 | Šesterokutni vijak | 40.101.10.37 |
| 58 | Podložna pločica 8,4 mm | 40.101.10.38 |
| 59 | Gumena noga | 40.101.10.39 |
| 60 | Ispusni vijak | 40.101.10.40 |
| 61 | Šesterokutna matica M10 | 40.101.10.41 |
| 62 | Opružni prsten 10 | 40.101.10.42 |
| 63 | Podložna pločica | 40.101.10.43 |
| 64 | Kolo | 40.101.10.44 |
| 65 | Vijak za pričvršćivanje kola | 40.101.10.45 |
| 66 | Kutija | 40.101.10.46 |

Lined area for handwritten entries, consisting of approximately 25 horizontal lines.

