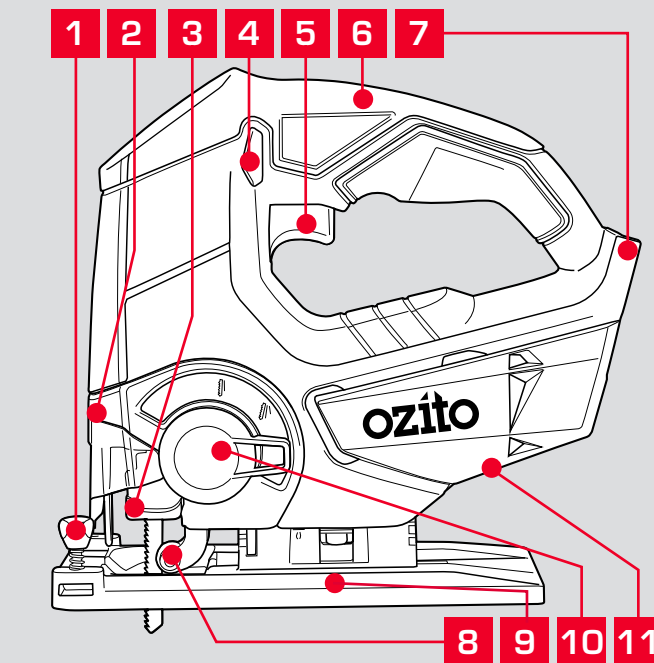


KNOW YOUR PRODUCT

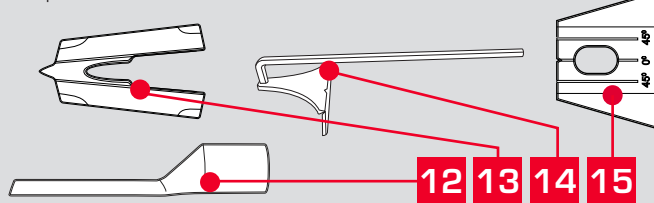
CORDLESS PENDULUM JIGSAW

- 1 Guide Locking Screw
- 2 LED Light
- 3 Blade Lock
- 4 Lock Off Switch
- 5 On/Off Trigger
- 6 Sure Grip Handle
- 7 Battery Seating
- 8 Guide Roller
- 9 Adjustable Shoe
- 10 Pendulum Action Selector
- 11 Shoe Locking Lever



ACCESSORIES

- 12 Dust Extraction Adaptor
- 13 Splinter Guard
- 14 Parallel Guide
- 15 Line Guide



BATTERY & CHARGER (sold separately)

This tool is compatible with all battery and chargers from the Ozito Power X Change Range.

ONLINE MANUAL

Scan this QR Code with your mobile device to take you to the online manual.



SETUP & PREPARATION

1. ASSEMBLY

WARNING ENSURE THE TOOL IS SWITCHED OFF AND THE BATTERY IS REMOVED BEFORE PERFORMING ANY OF THE FOLLOWING TASKS.

Inserting the Blade

- Hold the blade lock down.
- Slide the blade into the lock with the teeth facing forward making sure the blade is in the middle of the guide roller groove. Ensure the shoulder of the blade sits right at the bottom of the blade holder.
- Release the blade lock and pull on the blade to ensure it is secured.

Removing the Blade

- Flip the saw upside down and hold the blade lock down.
- Raise the blade to remove.

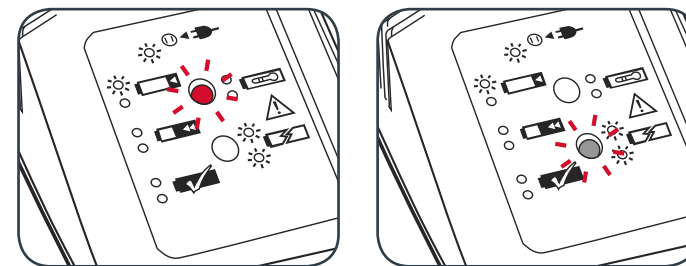
2. BATTERY & CHARGING (sold separately)

CAUTION THE CHARGER FOR THIS PRODUCT SHOULD BE PROTECTED BY A RESIDUAL CURRENT DEVICE (RATED AT 30MA OR LESS).

The purchased battery will be shipped in a low charge condition, and requires charging prior to use. Allow several cycles of charging and discharging (through use of the tool) for the battery to reach its optimum performance / runtime.

Charging your lithium ion battery - Fast Charger

- Connect the charger into a mains power outlet.
- The charger LED will flash green showing power is being supplied to the charger.
- With the charger sitting on a flat surface, align the raised ribs on the battery with the recess in the charger and slide onto the charger ensuring a firm connection.
- The charger LED will illuminate red signifying that the battery is charging.
- The charger LED will illuminate green once the battery is charged.



Charger LED Indicator	Situation
GREEN (Flashing)	Stand By (no battery pack is inserted)
RED (Flashing)	Battery is charging (low charge)
RED (Illuminated)	Battery is charging (mid charge)
GREEN (Illuminated)	Battery is 85% - 100% Charged and ready for use
BOTH (Illuminated)	Battery pack is too hot or too cold (charging will begin automatically when battery reaches correct charging temperature).
BOTH (Flashing)	Defective battery. Never charge a defective battery pack! Remove battery pack from charger.

Charging your lithium ion battery - Eco Charger

- Connect the charger into a mains power outlet.
- The charger LED will flash green showing power is being supplied to the charger.
- With the battery sitting on a flat surface, align the raised ribs on the battery with the recess in the charger ensuring a firm connection.
- The charger LED will illuminate red signifying that the battery is charging.
- When removing the charger from the battery, first press the battery release tab, then slide the charger from its position.

Charger LED Indicator	Situation
GREEN (Flashing)	Stand By (no battery pack is inserted)
RED (Illuminated)	Battery is charging (low charge)
GREEN (Illuminated)	Battery is charged and ready for use
RED (Flashing)	Battery or Charger fault
RED & GREEN (Flashing)	Battery pack is too hot or too cold (remove battery from charger and store at room temperature 20°C. Insert battery again when at correct charging temperature). If this happens again, the battery is defective and needs to be replaced.

Battery Charge Indicator

The purchased battery is equipped with a battery charge indicator to show the state of the battery charge. Press the charge indicator button and look to see which LED lights.

- Battery requires immediate charging
- Low state of charge, requires charging soon.
- Mid state of charge
- Full state of charge.

Note: The battery needs to be removed from the tool to check the state of charge.

3. FITTING THE BATTERY & GUIDE

Inserting & Removing the Battery (not included)

- Align the ribs of the battery with the recess at the back of the handle.
- Slide the battery into the seating until it clicks into place.
- To remove, press and hold the battery release tab and then slide out.

Attaching the Parallel Guide

- The parallel guide assists in cutting in a line parallel to an edge.
- Unscrew the guide locking screws at the front of the jigsaw.
 - Slide the parallel guide into the slots under the locking screws.
 - Tighten the guide locking screws to secure position.

4. ATTACHING THE ACCESSORIES

Using the Splinter Guard

The splinter guard ensures that the workpiece does not splinter and crack while cutting.

- Slide the front of the splinter guide into the recess on the base of the jigsaw.
- Squeeze the sides of the guard to allow the back to be pushed into place.
- To Remove, squeeze the sides of the guard and then pull the splinter guard away from the base.

WARNING THE SPLINTER GUARD CAN ONLY BE USED WHEN CUTTING AT A 90° ANGLE TO THE WORKPIECE.

Using the Line Guide

The line guide helps maintain a straight line while cutting at a 90° or 45° angle.

- Place the 2 hooks of the line guide over the rail at the front of the jigsaw.
- Push the line guide down until it clicks into place to allow the line guide to be flush with the base of the jigsaw.

5. SHOE ANGLE & DUST EXTRACTOR

Adjusting the Shoe Angle

The angle of the shoe can be adjusted to allow for bevel cuts between 0 and 47°.

- Push the shoe locking lever to the right to unlock the adjustable shoe.
- Slide the shoe forwards and tilt the shoe to the desired angle using the measurements.
- Once the angle is correct slide the shoe back for the pins to make contact and secure in place by pulling the shoe locking lever left.

Dust Extraction Adaptor

A dust extractor can be fitted to the jigsaw dust extraction adaptor to remove dust and chips while cutting. The adaptor can also be removed if it gets in the way.

- Fit the dust extraction adaptor to the jigsaw by pushing it into its slot from the back.
- To remove simply slide the dust extraction adaptor from the back of the jigsaw.

6. CONTROLS

Switching On and Off

- Hold the lock-off switch down and then squeeze the on/off trigger to start the jigsaw.
- To stop operation, release the on/off trigger.

Adjusting the Cutting Action

The jigsaw has a pendulum action feature which enables the blade to cut faster and more efficiently in thick and softer materials. See below for a guide on choosing the correct setting.

- To use the pendulum action, rotate the pendulum action selector clockwise to a higher setting.
- To use standard cutting action, rotate the pendulum action selector anti-clockwise to a lower setting.

1 - exact	No pendulum action for fine clean cuts on thin or hard materials
2 -	Small pendulum action for faster cutting on hard materials
3 -	Medium pendulum action for faster cutting on softer materials
4 -	Large pendulum action for fast cutting along the grain on soft materials.

5 YEAR
REPLACEMENT WARRANTY

PXJSS-600U