



Einhell

BLUE

BG-PF 4300 Pond filter

Art.-No. 36.062.51

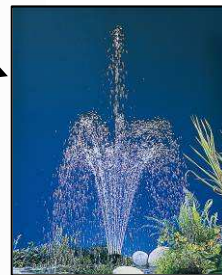
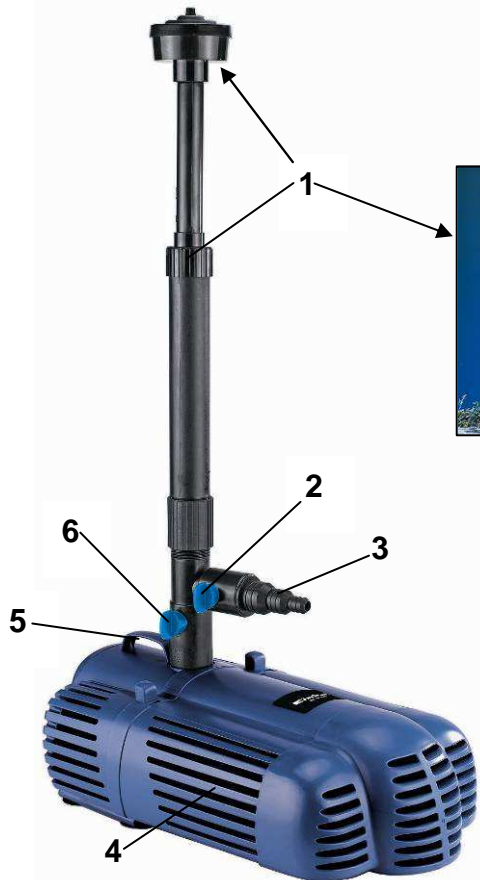
Modern, powerful filtering system with large filter-suction surface for garden pumps up to 10,000 liter. Due to its functional design this filter has an enormous filtering capacity. The BIOCELL filter material provides a natural, biological as well as a mechanical filtering. Thus dirt and suspended particles are retained to a large degree. The pump is powered by an oil-less motor with the stator completely sealed-in and water-cooled permanent magnet rotor. The housing is made of impact resistant plastics. The installation of a fountainhead sprinkler and design of running brooklets with the spout of the fountainhead make it an eye-catching product in your garden.

Features

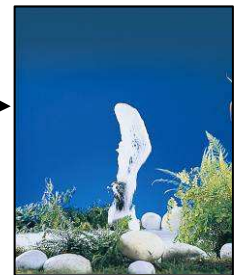
- Telescopic fountain pipe and cascade fountain (1)
- Flow control for waterspout (2)
- Connection for waterspout (3)
- Strainer with BIOCELL filter insert (4)
- Carrying handle (5)
- Flow control for fountain (6)
- foaming head spout (7)
- 10 m connecting line with earth plug (not illustrated)

Technical Data

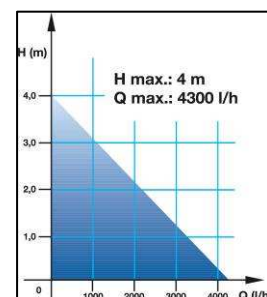
- | | |
|--------------------------------|--------------------|
| ■ Mains: | 230 V ~ 50 Hz |
| ■ Power: | 120 W |
| ■ Pond volume max.: | 10,000 liter |
| ■ Delivery capacity max.: | 4,300 l/h |
| ■ Delivery height max.: | 4 m |
| ■ Immersion depth max.: | 3 m |
| ■ Cascade fountain h_{max} : | approx. 2.2 m |
| ■ Fountain spout h_{max} : | approx. 32 cm |
| ■ Net weight: | 4 kg |
| ■ Gross weight: | 4.8 kg |
| ■ Packing dimensions: | 420 x 280 x 170 mm |
| ■ Bar code: | 4006825549584 |
| ■ Sales unit: | 2 pcs |



7 →



Performance data:



As special accessory available:

GF 1 bell fountain Art.-No.: 41.725.05
Einhell Grey Bar code: 4006825511321

SSP 1 foaming spout Art.-No.: 41.726.05
Einhell Grey Bar code: 4006825511338