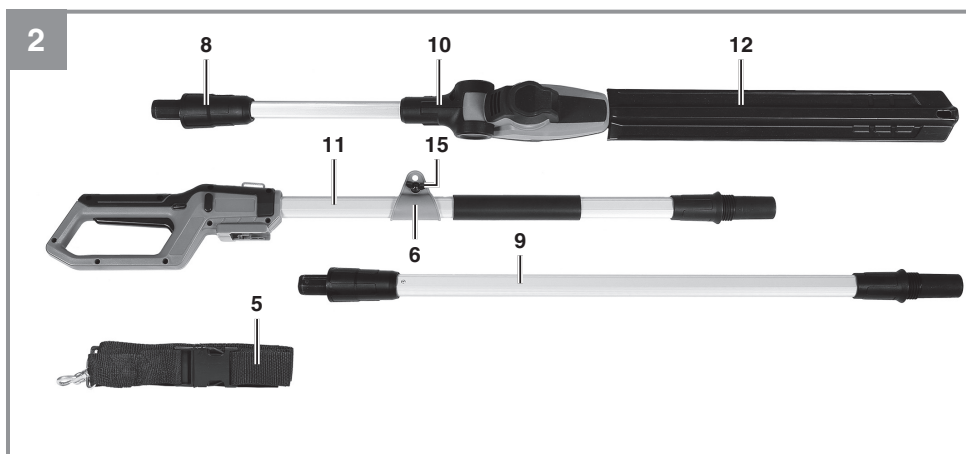
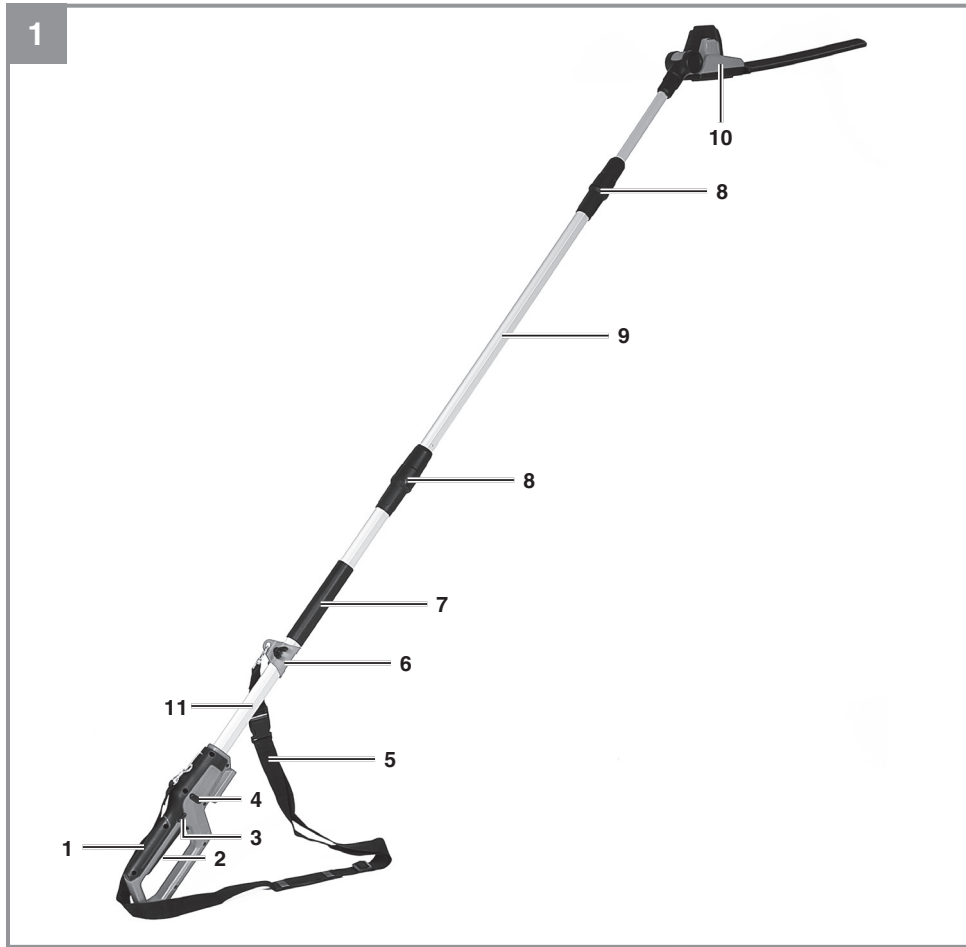


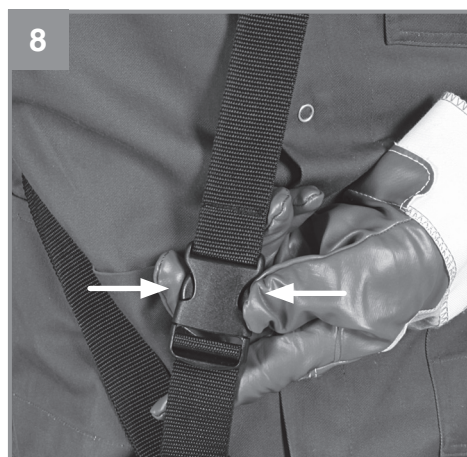
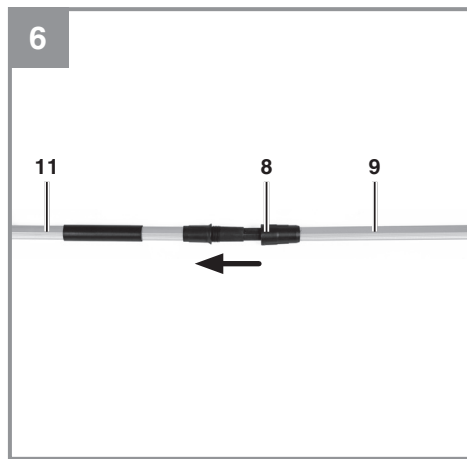
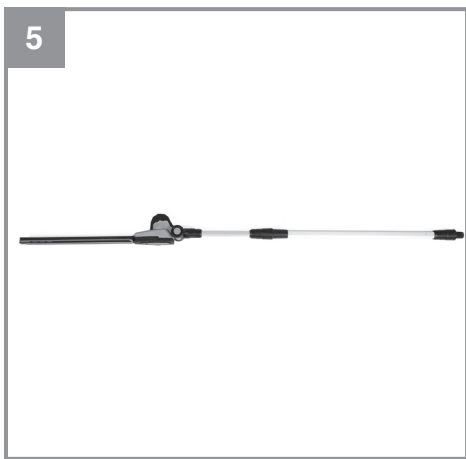
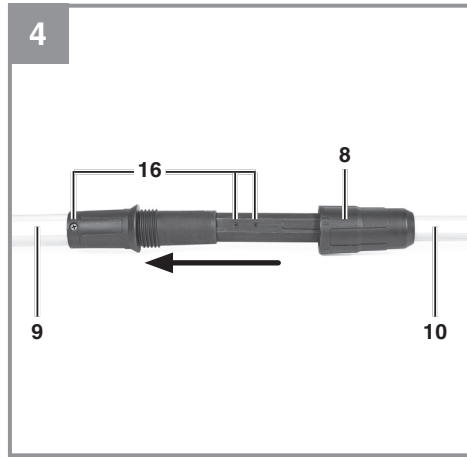
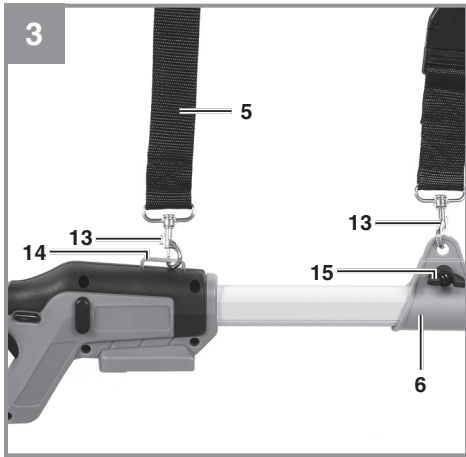
- EN** Original operating instructions  
Cordless Pole Hedge Trimmer
- FR** Traduction du mode d'emploi  
d'origine  
Taille-haie à perche sans fil
- SP** Manual de instrucciones original  
Bordeadora de arbustos inalám-  
brica

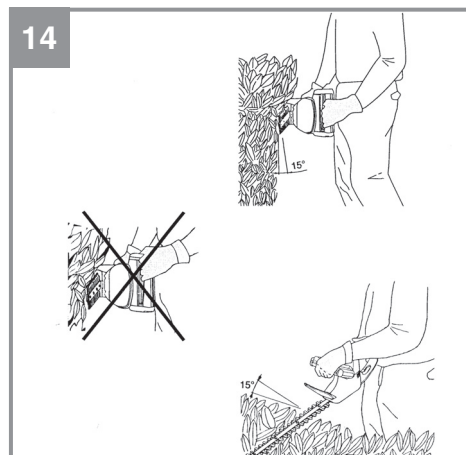
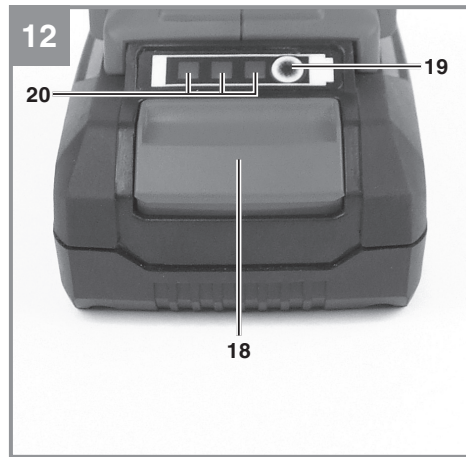
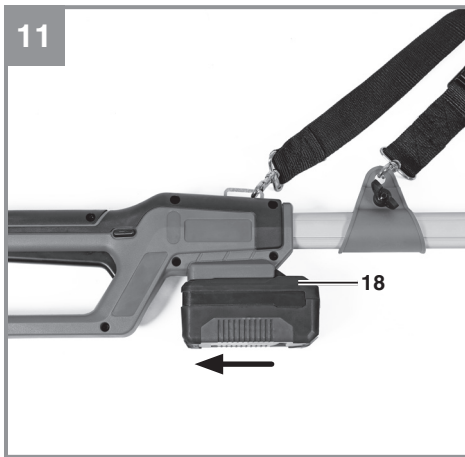
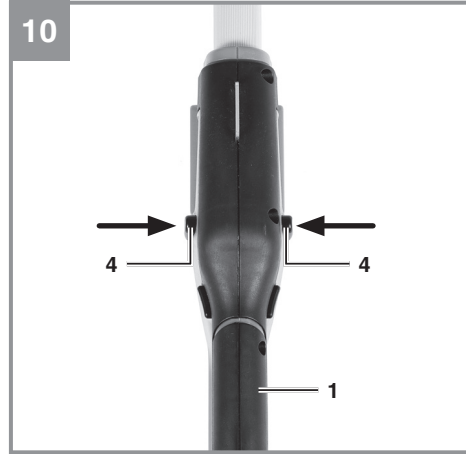
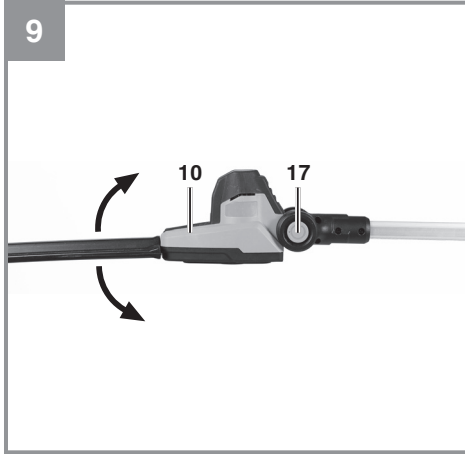


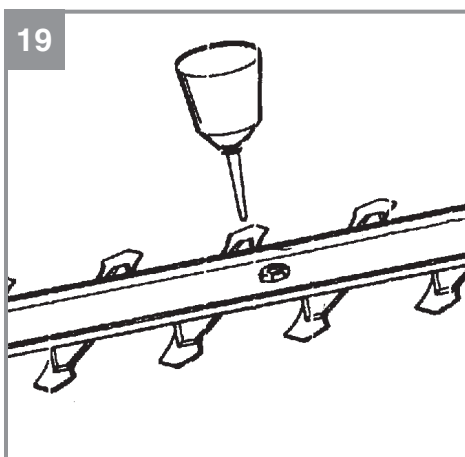
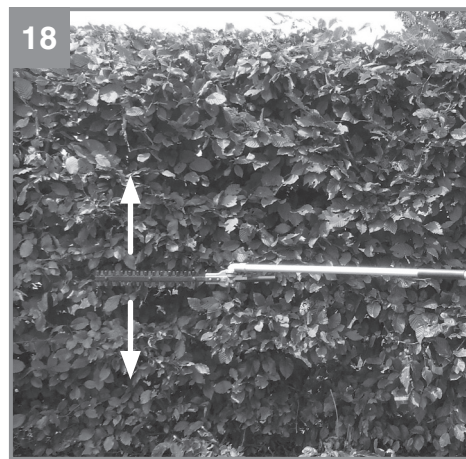
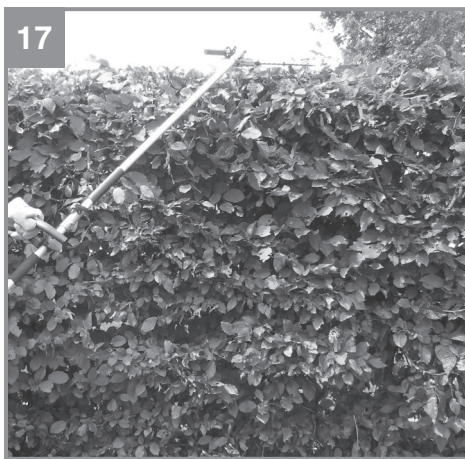
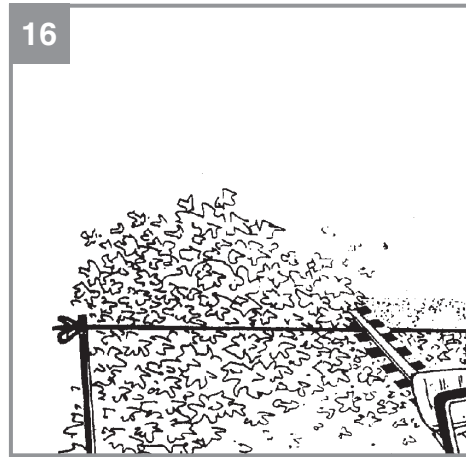
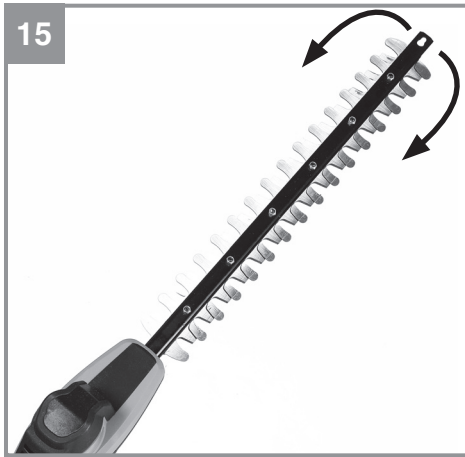
**Art.-Nr.: 3410584**

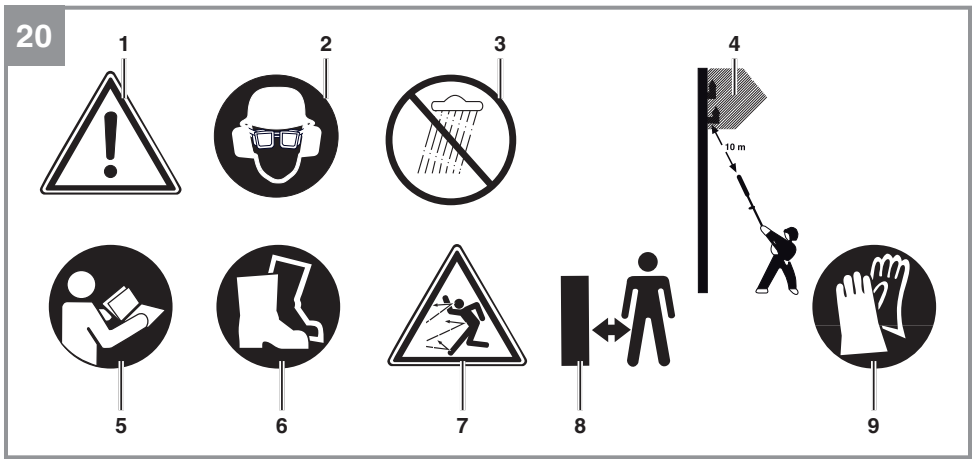
**I.-Nr.: 21012**











**DANGER!**

When using the equipment, a number of safety precautions must be observed to avoid injuries and damage. Please read the complete operating instructions and safety information with due care. Keep these operating instructions in a safe place so that the information is available at all times. If you give the equipment to any other person, hand over these operating instructions and the safety information as well. We cannot accept any liability for damage or accidents which arise due to failure to follow these instructions and the safety information.

## 1. Safety information

**DANGER!**

**Read all the safety information and instructions.** Failure to adhere to the safety information and instructions set out below may result in electric shock, fire and/or serious injury. **Keep all the safety information and instructions in a safe place for future use.**

### General safety information for power tools

The term "power tool" used in the safety regulations refers to power tools operated from the mains power supply (with a power cable) and to battery operated power tools (without a power cable).

#### 1) Work area safety

- a) **Keep work area clean and well lit.** *Cluttered and dark areas invite accidents.*
- b) **Do not operate power tools in explosive atmospheres, such as in the presence of flammable liquids, gases or dust.** *Power tools create sparks which may ignite the dust or fumes.*
- c) **Keep children and bystanders away while operating a power tool.** *Distractions can cause you to lose control.*

#### 2) Electrical safety

- a) **Power tool plugs must match the outlet. Never modify the plug in any way. Do not use any adapter plugs with earthed (grounded) power tools.** *Unmodified plugs and matching outlets will reduce risk of electric shock.*
- b) **Avoid body contact with earthed or grounded surfaces such as pipes, radiators, ranges and refrigerators.** *There*

*is an increased risk of electric shock if your body is earthed or grounded.*

- c) **Do not expose power tools to rain or wet conditions.** *Water entering a power tool will increase the risk of electric shock.*
  - d) **Do not abuse the cord. Never use the cord for carrying, pulling or unplugging the power tool. Keep cord away from heat, oil, sharp edges or moving parts.** *Damaged or entangled cords increase the risk of electric shock.*
  - e) **When operating a power tool outdoors, use an extension cord suitable for outdoor use.** *Use of a cord suitable for outdoor use reduces the risk of electric shock.*
  - f) **If operating a power tool in a damp location is unavoidable, use a ground fault circuit interruptor (GFCI) protected supply.** *Use of an GFCI reduces the risk of electric shock.*
- #### 3) Personal safety
- a) **Stay alert, watch what you are doing and use common sense when operating a power tool. Do not use a power tool while you are tired or under the influence of drugs, alcohol or medication.** *A moment of inattention while operating power tools may result in serious personal injury.*
  - b) **Use personal protective equipment. Always wear eye protection.** *Protective equipment such as dust mask, non-skid safety shoes, hard hat, or hearing protection used for appropriate conditions will reduce personal injuries.*
  - c) **Prevent unintentional starting. Ensure the switch is in the Off-position before connecting to power source and/or BATTERY pack, picking up or carrying the tool.** *Carrying power tools with your finger on the switch or energizing power tools that have the switch on invites accidents.*
  - d) **Remove any adjusting key or wrench before turning the power tool on.** *A wrench or a key left attached to a rotating part of the power tool may result in personal injury.*
  - e) **Do not overreach. Keep proper footing and balance at all times.** *This enables better control of the power tool in unexpected situations.*
  - f) **Dress properly. Do not wear loose clothing or jewellery. Keep your hair, clothing and gloves away from moving parts.** *Loose clothes, jewelry or long hair*

- can be caught in moving parts.
- g) **If devices are provided for the connection of dust extraction and collection facilities, ensure these are connected and properly used.** *Use of these devices can reduce dust related hazards.*
- h) **Do not let familiarity gained from frequent use of tools allow you to become complacent and ignore tool safety principles.** *A careless action can cause severe injury within a fraction of a second.*
- 4) Power tool use and care**
- a) **Do not force the power tool. Use the correct power tool for your application.** *The correct power tool will do the job better and safer at the rate for which it was designed.*
- b) **Do not use the power tool if the switch does not turn it on and off.** *Any power tool that cannot be controlled with the switch is dangerous and must be repaired.*
- c) **Disconnect the plug from the power source and/or remove the battery pack, if detachable, from the power tool before making any adjustments, changing accessories, or storing power tools.** *Such preventive safety measures reduce the risk of starting the power tool accidentally.*
- d) **Store idle power tools out of the reach of children and do not allow persons unfamiliar with the power tool or these instructions to operate the power tool.** *Power tools are dangerous in the hands of untrained users.*
- e) **Maintain power tools and accessories. Check for misalignment or binding of moving parts, breakage of parts and any other condition that may affect the power tool's operation. If damaged, have the power tool repaired before use.** *Many accidents are caused by poorly maintained power tools.*
- f) **Keep cutting tools sharp and clean.** *Properly maintained cutting tools with sharp cutting edges are less likely to bind and are easier to control.*
- g) **Use the power tool, accessories and tool bits etc., in accordance with these instructions and in the manner intended for the particular type of power tool, taking into account the working conditions and the work to be performed.** *Use of the power tool for operations different from intended could result in a hazardous situation.*
- h) **Keep handles and grasping surfaces dry, clean and free from oil and grease.** *Slippery handles and grasping surfaces do not allow for safe handling and control of the tool in unexpected situations.*
- 5) Battery tool use and care**
- a) **Recharge only with the charger specified by the manufacturer.** *A charger that is suitable for one type of battery pack may create a risk of fire when used with another battery pack.*
- b) **Use power tools only with specifically designated battery packs.** *Use of any other battery packs may create a risk of injury and fire.*
- c) **When battery pack is not in use, keep it away from other metal objects, like paper clips, coins, keys, nails, screws or other small metal objects that can make a connection from one terminal to another.** *Shorting the battery terminals together may cause burns or a fire.*
- d) **Under abusive conditions, liquid may be ejected from the battery; avoid contact. If contact accidentally occurs, flush with water. If liquid contacts eyes, additionally seek medical help.** *Liquid ejected from the battery may cause irritation or burns.*
- e) **Do not use a BATTERY pack or tool that is damaged or modified.** *Damaged or modified batteries may exhibit unpredictable behavior resulting in fire, EXPLOSION or risk of injury.*
- f) **Do not expose a BATTERY pack or tool to fire or excessive temperature.** *Exposure to fire or temperature above 266°F (130°C) may cause explosion.*
- g) **Follow all charging instructions and do not charge the BATTERY pack or tool outside the temperature range specified in the instructions.** *Charging improperly or at temperatures outside the specified range may damage the BATTERY and increase the risk of fire.*
- 6) Service**
- a) **Have your power tool serviced by a qualified repair person using only identical replacement parts.** *This will ensure that the safety of the power tool is maintained.*
- b) **Never service damaged BATTERY packs.** *Service of BATTERY packs should only be*



*performed by the manufacturer or authorized service providers.*

### 1.) FOR ALL BATTERY-OPERATED APPLIANCES:

- Do not charge appliance in rain, or in wet locations.
- Do not use battery-operated appliances in the rain. Always remove or disconnect battery pack before adjusting, cleaning, servicing or transporting the garden appliances.

### 2.) FOR ALL BATTERY-OPERATED PRODUCTS EMPLOYING A DETACHABLE OR SEPARABLE BATTERY:

- Use only the following type and size battery:  
18V 1.5Ah PXC Lithium-ion battery  
18V 2.0Ah PXC Lithium-ion battery  
18V 2.5Ah PXC Lithium-ion battery  
18V 3.0Ah PXC Lithium-ion battery  
18V 4.0Ah PXC Lithium-ion battery  
18V 3.0Ah PXC Plus Lithium-ion battery  
18V 4.0Ah PXC Plus Lithium-ion battery  
18V 5.2Ah PXC Plus Lithium-ion battery  
18V 4.0Ah/6.0Ah PXC Plus Lithium-ion battery  
18V 5.0Ah/8.0Ah PXC Plus Lithium-ion battery
- Do not dispose of the battery in a fire. The cell may explode. Check with local codes for possible special disposal instructions.
- Do not open or mutilate the battery. Released electrolyte is corrosive and may cause damage to the eyes or skin. It may be toxic if swallowed.
- Exercise care in handling the battery in order not to short it with conducting materials such as rings, bracelets, and keys. The battery or conductor may overheat and cause burns.

### 3.) AVOID UNINTENTIONAL STARTING – DO NOT INSERT BATTERY WHILE YOUR FINGER IS ON THE SWITCH. BE SURE SWITCH IS OFF WHEN INSERTING THE BATTERY. ADDITIONAL SAFETY RULES FOR HEDGE TRIMMERS

- Keep guards in place and in good working order.
- Keep hands and feet away from cutting area.

### GENERAL SAFETY WARNINGS FOR THE BATTERY PACK

- Dispose of used battery promptly and properly. When disposing of secondary cells or batteries, keep cells or batteries of different electrochemical systems separate from each other.
- Keep battery out of reach of children and in original package until ready to use.
- Never put batteries in one's mouth. If swallowed, contact local poison control centre immediately.
- CAUTION – The battery used in this device may present a risk of fire or chemical burn if mishandled. Replace battery with Einhell/lawn master brand only. Use of another battery may present a risk of fire or explosion.
- WARNING: Do not use a visibly damaged battery pack or appliance.
- WARNING: Do not modify or attempt to repair the appliance or the battery pack.
- **BATTERIES MUST BE RECYCLED.**
- Do not short-circuit a cell or battery. Do not store cells or batteries haphazardly in a box or drawer where they may short-circuit each other or be short-circuited by conductive materials.
- Do not subject cells or batteries to mechanical shocks.
- Keep cells and batteries clean and dry. Wipe the cell or battery terminals with a clean dry cloth if they become dirty.
- Do not maintain secondary cells and batteries on charge when not in use.
- Retain the original cell and battery. Do not use any charger other than that specifically provided for use with the equipment. Secondary cells and batteries need to be charged before use. Always use the correct charger and refer to the manufacturer's instructions or equipment manual for proper charging instructions.
- When possible, remove the battery from the equipment when not in use.
- Prevent unintentional starting. Ensure the switch is in the off-position before connecting to the battery pack, picking up or carrying the appliance. Carrying the appliance with your finger on the switch or energizing appliances that have the switch on invites accidents.
- Disconnect the battery pack from the appliance before making any adjustments, changing accessories, or storing appliance. Such preventive safety measures reduce the risk of starting the appliance accidentally.

- Under abusive conditions, liquid may be ejected from the battery; avoid contact. If contact accidentally occurs, flush with water. If liquid contacts eyes, additionally seek medical help. Liquid ejected from the battery may cause irritation or burns.
- Have servicing performed by a qualified repair person using only identical replacement parts. This will ensure that the safety of the product is maintained.
- **Protect your rechargeable battery against moisture, rain and high humidity.** Moisture, rain and high humidity can cause dangerous cell damage. Never charge or work with batteries which have been exposed to moisture, rain or high humidity – replace them immediately.
- If your equipment is fitted with a detachable battery, remove the battery for safety reasons after you have finished your work.

#### IMPORTANT SAFETY INSTRUCTIONS FOR CHARGER

**WARNING:** This product may contain lead, phthalate or other chemicals known to the State of California to cause cancer, birth defects and other reproductive harm. Please wash your hands after use.

#### Protection from environmental influences

1. Wear suitable work clothes. Wear safety goggles.
2. **Protect your cordless tool and the battery charger from moisture and rain.** Moisture and rain can cause dangerous cell damage.
3. Do not use the cordless tool or the battery charger near vapors and inflammable liquids.
4. Use the battery charger and cordless tools only in dry conditions and an ambient temperature of 10-40°C.
5. Do not keep the battery charger in places where the temperature is liable to reach over 40°C. In particular, do not leave the battery charger in a car that is parked in the sunshine.
6. **Protect batteries from overheating.** Overloads, over-charging and exposure to direct sunlight will result in overheating and cell damage. Never charge or work with batteries which have been overheated – replace them immediately if possible.
7. **Storage of batteries, battery chargers and cordless tools.** Store the charger and your cordless tool only in dry places with an ambient temperature of 10-40°C. Store your lithium-ion battery pack in a cool, dry place at

a temperature of 10-20°C. Protect them from humidity and direct sunlight. Only place fully charged batteries in storage (charged at least 40%).

8. Prevent the lithium-ion battery pack from freezing. Battery packs which were stored below 0°C for more than 60 minutes must be disposed of.
9. When handling batteries beware of electrostatic charge: Electrostatic discharges cause damage of the electronic protection system and the battery cells. Avoid electrostatic charging and never touch the battery poles.

#### Safety instructions for pole hedge trimmers

##### Pole hedge trimmer safety warnings:

- **Do not use the pole hedge trimmer in bad weather conditions, especially when there is a risk of lightning.** This decreases the risk of being struck by lightning.
- **To reduce the risk of electrocution, never use near any electrical power lines.** Contact with or use near power lines may cause serious injury or electric shock resulting in death.
- **Always use two hands when operating the pole hedge trimmer.** Hold the pole hedge trimmer with both hands to avoid loss of control.
- **Always use head protection when operating the pole hedge trimmer overhead.** Falling debris can result in serious personal injury.

**WARNING – Only use with handle and guard properly assembled to hedge trimmer. The use of the hedge trimmer without the proper guard or handle provided may result in serious personal injury.**

##### Hedge trimmer safety warnings:

- a) **Keep all parts of the body away from the blade. Do not remove cut material or hold material to be cut when blades are moving.** Blades continue to move after the switch is turned off. A moment of inattention while operating the hedge trimmer may result in serious personal injury.
- b) **Carry the hedge trimmer by the front handle with the blade stopped and taking care not to operate any power switch.** Proper carrying of the hedge trimmer will decrease the risk of inadvertent starting and resultant personal injury from the blades.

- c) **When transporting or storing the hedge trimmer, always fit the blade cover.** Proper handling of the hedge trimmer will decrease the risk of personal injury from the blades.
- d) **When clearing jammed material or servicing the unit, make sure all power switches are off and the battery pack is removed or disconnected.** Unexpected actuation of the hedge trimmer while clearing jammed material or servicing may result in serious personal injury.
- e) **Hold the hedge trimmer by insulated gripping surfaces only, because the blade may contact hidden wiring.** Blades contacting a "live" wire may make exposed metal parts of the hedge trimmer "live" and could give the operator an electric shock.
- f) **Keep all power cords and cables away from cutting area.** Power cords or cables may be hidden in hedges or bushes and can be accidentally cut by the blade.
- g) **Do not use the hedge trimmer in bad weather conditions, especially when there is a risk of lightning.** This decreases the risk of being struck by lightning.

#### Additional safety information

- **Before you start trimming hedges, check the hedge for hidden objects, such as wire fences.**
- **Hold the hedge trimmer correctly with both hands.**
- **Always ensure that all handles and guards are fitted before using the pole hedge trimmer.**
- **Do not attempt to use an incomplete machine or one that is provided with an unauthorized change.**
- **Before cleaning the hedge trimmer, turn off the tool and remove battery.**
- **Check blades for damage regularly, if damaged, have them repaired immediately.**
- **Never allow children to use the pole hedge trimmer.**
- **Position the hedge trimmer guard over the blades, make sure that the blade is not exposed after use.**
- **Do not use the tool in bad weather conditions, especially not during thunderstorms.**

#### SAVE THESE INSTRUCTIONS

#### Explanation of the symbols on the equipment (Fig. 20):

1. Warning!
2. Wear protective headgear, goggles and ear muffs.
3. Protect the equipment from rain and humidity.
4. Electric shock can cause fatal injury. Keep a distance of at least 33 ft. (10 m) from power cables.
5. Read the directions for use before operating the equipment.
6. Wear sturdy, non-slip footwear.
7. Watch out for falling parts.
8. Keep your distance.
9. Wear safety gloves.

## 2. Layout and items supplied

### 2.1 Layout

1. Handle
2. On/Off switch
3. Switch lock
4. Safety lock-off for the handle angle adjuster
5. Shoulder strap with safety release
6. Shoulder strap holder with wing nut
7. Grip surface
8. Assembly nut
9. Pole extension
10. Hedge trimmer unit (unit with tube)
11. Motor unit (unit with tube)
12. Hedge trimmer guard
13. Carabiner
14. Shoulder strap holder
15. Wing nut of shoulder strap holder
16. Mounting screws
17. Safety lock-off for the motor housing angle adjuster
18. Push-lock button
19. Battery capacity indicator button
20. Battery capacity indicator

### 2.2 Items supplied

Please check that the article is complete as specified in the scope of delivery. If parts are missing, please contact our service center or the store where you made your purchase at the latest within 5 work days after purchasing the article and upon presentation of a valid bill of purchase.

- Open the packaging and take out the equipment with care.
- Remove the packaging material and any packaging and/or transportation braces (if present).

- Check to see if all the items are supplied.
- Inspect the equipment and accessories for transport damage.
- If possible, keep the packaging until the end of the guarantee period.

#### **Danger!**

**The equipment and packaging material are not toys. Do not let children play with plastic bags, plastic sheets and small parts. There is a risk of choking and suffocating!**

- Handle with tube
- Pole extension
- Hedge trimmer section with tube and cutter rail guard
- Shoulder strap
- Original operating instruction with safety information

#### **Separately available accessories**

18V 1.5Ah PXC Lithium-Ion battery  
 18V 2.0Ah PXC Lithium-Ion battery  
 18V 2.5Ah PXC Lithium-Ion battery  
 18V 3.0Ah PXC Lithium-Ion battery  
 18V 4.0Ah PXC Lithium-Ion battery  
 18V 3.0Ah PXC Plus Lithium-Ion battery  
 18V 4.0Ah PXC Plus Lithium-Ion battery  
 18V 5.2Ah PXC Plus Lithium-Ion battery  
 18V 4.0Ah/6.0Ah PXC Plus Lithium-Ion battery  
 18V 5.0Ah/8.0Ah PXC Plus Lithium-Ion battery  
 18V PXC Dual Port Fast Charger  
 18V PXC Fast Charger

Contact your local retailer for more specific models of batteries and charger available in your area. You can also explore battery + charger options at Einhell.com.

### **3. Intended use**


This cordless pole hedge trimmer is suitable for cutting hedges, bushes and shrubs. Caution! Do not use this equipment to cut grass.

The equipment is allowed to be used only for its prescribed purpose. Any other use is deemed to be a case of misuse. The user/operator and not the manufacturer will be liable for any damage or injuries of any kind resulting from such misuse.

Please note that our equipment has not been designed for use in commercial, trade or

industrial applications. Our warranty will be voided if the equipment is used in commercial, trade or industrial businesses or for equivalent purposes.

### **4. Technical data**

Motor power supply: ..... 18V   
 Cutting speed: ..... 1400 cut strokes/min  
 Blade length: ..... 18" (45 cm)  
 Max. cutting diameter: ..... 0.70" (18 mm)  
 Adjustable head angles: ..... -67.5° to 67.5°  
 Adjustable handle angles: ..... -90°, 0°, 90°  
 Weight (Tool only): ..... 7 lbs (3.17 kg)

#### **Reduce noise generation and vibration to a minimum!**

- Use only equipment that is in perfect condition.
- Maintain and clean the equipment regularly.
- Adapt your way of working to the equipment.
- Do not overload the equipment.
- Have the equipment checked if necessary.
- Switch off the equipment when not in use.
- Wear gloves.

### **5. Before starting the equipment**

**Caution!** Install the battery only after you have completely assembled the device and made all settings. Always wear protective gloves when working on the equipment to protect yourself against injury. Carefully unpack all parts and check that they are complete (Fig. 1).

Use the hedge trimmer guard (Fig. 2, Item 12)

#### **5.1 Fitting the shoulder strap**

(Fig. 3): Attach the carabiner hooks (Item 13) of the shoulder strap (Item 5) to the shoulder strap attachments (Item 6/14).

#### **5.2 Fitting the tubes**

The cordless pole hedge trimmer can be assembled either with or without the pole extension (Fig. 2 / Item 9).

#### **5.3 Assembly with pole extension**

1. (Fig. 4-5) Make sure that the mounting screws (Item 16) are on the same side and insert the tube with motor housing/hedge trimmer (Item

10) into the pole extension (Item 9). Screw the two tubes together with the assembly nut (Item 8).

- (Fig. 6) Insert the pole extension (Item 9) into the tube with the operating element (Item 11) and screw the two tubes together with the assembly nut (Item 8). The cordless pole hedge trimmer has now been screwed together (Fig. 1). To dismantle, proceed in reverse order.

#### 5.4 Assembly without pole extension

Insert the tube with the motor housing/hedge trimmer (Fig. 2 / Item 10) into tube with the operating element (Fig. 2 / Item 11) and screw the two tubes together with the assembly nut (Item 8). The cordless pole hedge trimmer has now been screwed together. To dismantle, proceed in reverse order.

#### 5.5 Using the shoulder strap

**Warning!** Always use the shoulder strap when working with the equipment. Switch off the equipment before you take off the shoulder strap (risk of injury).

- Slip the shoulder strap (Fig. 7/Item 5) over your shoulder.
- Adjust the length of the shoulder strap so that the strap attachment is at waist level (Fig. 7).
- The shoulder strap is equipped with a buckle. Press the hooks together (Fig. 8) if you need to put down the equipment quickly.
- To change the strap position on the equipment, slacken the wing nut (Fig. 3/Item 15) by turning it counterclockwise and move the strap attachment to the desired position on the tube. Then retighten the wing nut (Fig. 3/Item 15) by turning it clockwise.

#### 5.6 Adjusting the angle of the motor housing/hedge trimmer (Fig. 9)

Press the lock-off button (Item 17) and adjust the angle of the hedge trimmer head (Item 10) to any of 7 latching positions.

#### 5.7 Turning the handle (Fig. 10)

Press the two lock-off buttons (Item 4) and turn the handle (Item 1) 90° to the left or 90° to the right.

#### 5.8 Fitting the battery (Fig. 11)

Press the push-lock button (18) of the rechargeable battery and push the battery into the battery mount provided. When the battery pack is positioned as in Fig. 11, make sure that

the push-lock button latches in place! To remove the battery pack, proceed in reverse order.

## 6. Operation

Please note that the statutory regulations governing noise abatement may differ from one location to another.

**Caution!** Always use the shoulder strap when working with the equipment. Always switch off the equipment before you take off the shoulder strap. (Otherwise there is a risk of injury.)

Put on the shoulder strap as described above, fit the required attachment and adjust the equipment to suit your needs.

#### Switching on/off Switching on (Fig. 13)

- Hold the equipment firmly by the handle and grip surface with both hands.
- Press and hold the safety lock-off (Item 3).
- Switch on the equipment with the On/Off switch (Item 2). You can then release the safety lock-off.

#### Switching off

Release the On/Off switch (Fig. 13/Item 2).

#### 6.1 Charging the Lithium-Ion battery (not included)

The corresponding instructions can be found in the original operating instructions for your charger.

#### 6.2 Battery capacity indicator (Fig. 12 / item 20)

Press the battery capacity indicator switch (19). The battery capacity indicator (20) shows the charge status of the battery using 3 LEDs.

#### All 3 LEDs lit:

The battery is fully charged.

#### 2 or 1 LED(s) lit:

The battery has an adequate remaining charge.

#### 1 LED flashing:

The battery is empty, recharge the battery.

**All LEDs flashing:**

The temperature of the battery is too low. Remove the battery from the device and leave it at room temperature for a day. If the error occurs again, this means that the battery has been completely depth-discharged and is defective. Remove the battery from the device. Never use or charge a defective battery.

**7. Working with the hedge trimmer attachment**

- Check that the blades work properly. The twin-blades rotate in opposite directions, thus guaranteeing high cutting performance and smooth operation.
- Take care to maintain a steady foothold and hold the equipment firmly in both hands away from your body. Before you switch on, make sure that the equipment is not touching any objects.

**Work practice**

- A hedge trimmer can be used to cut shrubs and bushes as well as hedges.
- To obtain the best cutting results, hold the hedge trimmer so that the blades are at an angle of approx. 15° in relation to the hedge (see Fig. 14).
- The twin-blades rotate in opposite directions, thus enabling cutting in both directions (see Fig. 15).
- It is recommended to tie a guide line of string or the like along the hedge so that you cut the hedge to a level height. Cut off all branches which protrude beyond the guide line (see Fig. 16-17).
- Cut the sides of the hedge with curve-shaped movements from the bottom up (see Fig. 18).

**8. Cleaning and maintenance****HAZARD!**

Always take the battery out of the equipment before starting any cleaning work.

**8.1 Cleaning**

- Regularly clean the hedge trimmer blades by blowing them out with compressed air or cleaning them with a brush. Do not use any tools for cleaning.
- Keep the handles free of oil so that you can maintain a firm grip.
- Never immerse the equipment in water or other liquids in order to clean it.
- Use a brush to remove deposits from the safety guards.
- Keep all safety devices, air vents and the motor housing free of dirt and dust as far as possible. Wipe the equipment with a clean cloth or blow it down with compressed air at low pressure.
- We recommend cleaning the equipment immediately each time after use.
- Clean the equipment regularly with a damp cloth and some soft soap. Do not use cleaning agents or solvents; these may be aggressive to the plastic parts in the equipment. Ensure that no water can get into the interior of the equipment. The penetration of water into an electric power tool increases the risk of an electric shock.

**8.2 Maintenance**

The blades should be cleaned and lubricated at regular intervals in order to ensure best performance at all times. Remove deposits with a brush and apply a thin film of machine oil (Fig. 19).

## 9. Disposal and recycling

The equipment is supplied in packaging to prevent it from being damaged in transit. The raw materials in this packaging can be reused or recycled. The equipment and its accessories are made of various types of material, such as metal and plastic. Never place defective equipment in your household refuse. The equipment should be taken to a suitable collection center for proper disposal. If you do not know the whereabouts of such a collection point, you should ask in your local council offices.

## 10. Storage

Store the equipment and its accessories out of children's reach in a dark and dry place at above freezing temperature. The ideal storage temperature is between 41°F and 86°F (5°C and 30°C). Keep the electric tool in its original packaging.

The reprinting or reproduction by any other means, in whole or in part, of documentation and papers accompanying the products is strictly subject to the express consent of Einhell Germany AG.

Subject to technical changes.

## 11. Troubleshooting guide

### Danger!

Before troubleshooting, switch off the equipment and remove the battery.

The table below contains a list of fault symptoms and explains what you can do to remedy the problem if your equipment fails to work properly. If the problem still persists after working through the list, please contact your nearest service center.

Problem	Possible cause	Solution
The equipment does not work.	<ul style="list-style-type: none"> <li>- Battery empty.</li> <li>- Battery is not correctly inserted.</li> </ul>	<ul style="list-style-type: none"> <li>- Charge battery.</li> <li>- Remove battery and insert again.</li> </ul>
Equipment operates intermittently.	<ul style="list-style-type: none"> <li>- Loose connection (external).</li> <li>- Loose connection (internal).</li> <li>- ON/OFF switch defective.</li> </ul>	<ul style="list-style-type: none"> <li>- Consult a service center.</li> <li>- Consult a service center.</li> <li>- Consult a service center.</li> </ul>

If the equipment will not work in spite of the troubleshooting measures and the voltage supply being OK, please contact a service center.



**Danger !**

Certaines mesures de sécurité doivent être respectées pendant l'utilisation des appareils pour empêcher les blessures et les dommages. Par conséquent, lisez attentivement le présent mode d'emploi / les consignes de sécurité. Conservez-les bien pour avoir les informations toujours à la portée de la main. Si vous devez passer l'appareil à d'autres personnes, veuillez leur remettre également le présent mode d'emploi / les consignes de sécurité. Nous ne sommes pas tenus des accidents ou dommages survenus à cause de non-respect du présent mode d'emploi et des consignes de sécurité.

**1. Consignes de sécurité****Danger !**

**Lisez toutes les consignes de sécurité et instructions.** Le non-respect des consignes de sécurité et des instructions peut causer une électrocution, un incendie et / ou de graves blessures. **Conservez toutes les consignes de sécurité et instructions pour l'avenir.**

**Consignes générales de sécurité pour les outils électriques**

Le terme « outil électrique » utilisé dans les consignes de sécurité se réfère à des outils électriques alimentés par le secteur (avec câble d'alimentation) et à des outils électriques alimentés par la batterie (sans câble d'alimentation).

**1. Sécurité du lieu de travail**

- a) **Maintenez votre espace de travail propre et bien éclairé.** *Le désordre ou les espaces de travail non éclairés peuvent provoquer des accidents.*
- b) **Ne travaillez pas avec l'outil électrique dans une atmosphère explosible contenant des liquides, des gaz ou des poussières combustibles.** *Les appareils électriques génèrent des étincelles pouvant enflammer la poussière ou les vapeurs.*
- c) **Tenez à distance les enfants et autres personnes lors de l'utilisation de l'appareil électrique.** *En cas de distraction, vous pouvez perdre le contrôle de l'appareil.*

**2. Sécurité électrique**

- a) **La fiche de raccordement de l'appareil électrique doit être adaptée à la prise. La fiche ne doit être modifiée en aucune façon. N'utilisez pas de fiche d'adaptateur avec les outils électriques mis à la terre.** *Les fiches non modifiées et les prises adaptées diminuent le risque d'une électrocution.*
  - b) **Évitez le contact physique avec les surfaces mises à la terre, comme celles de conduits, des chauffages, des cuisinières et des réfrigérateurs.** *Il existe un risque élevé d'électrocution lorsque votre corps est mis à la terre.*
  - c) **Gardez les appareils électriques à l'abri de la pluie ou de l'humidité.** *La pénétration de l'eau dans un appareil électrique augmente le risque d'une électrocution.*
  - d) **Ne détournez pas le câble de sa fonction pour porter ou pour accrocher l'appareil électrique ou pour retirer la fiche de la prise. Gardez le câble à l'abri de la chaleur, de l'huile, des bords coupants ou des éléments mobiles de l'appareil.** *Les câbles endommagés ou enchevêtrés augmentent le risque d'une électrocution.*
  - e) **Si vous travaillez avec un appareil électrique dehors, utilisez uniquement une rallonge adaptée à l'usage à l'extérieur.** *L'utilisation d'une rallonge adaptée à l'usage à l'extérieur diminue le risque d'une électrocution.*
  - f) **Si l'appareil électrique doit être utilisé dans un environnement humide, utilisez un Disjoncteur de fuite à la terre.** *L'utilisation d'un disjoncteur de fuite à la terre diminue le risque d'une électrocution.*
- 3. Sécurité des personnes**
- a) **Soyez attentif, prenez garde à ce que vous faites et soyez raisonnable en travaillant avec un outil électrique. N'utilisez pas un appareil électrique si vous êtes fatigué ou si vous vous trouvez sous l'effet de drogues, d'alcool ou de médicaments.** *Un instant d'inattention lors de l'utilisation de l'appareil électrique peut entraîner de graves blessures.*
  - b) **Utilisez l'équipement de protection individuelle. Porter toujours une protection des yeux.** *L'équipement de protection, tel que le masque anti-poussière, les chaussures de sécurité antidérapantes, le casque protecteur ou la protection auditive utilisés dans des conditions appropriées, permet de réduire les*

- dommages corporels.*
- c) **Évitez tout démarrage non intentionnel. S'assurer que le bouton marche-arrêt est en position Arrêt (Off) avant de connecter la source de courant et/ou la BATTERIE, de prendre et de transporter l'outil.** *Transporter des outils électriques avec votre doigt sur le bouton marche-arrêt ou mettre sous tension des outils électriques dont le bouton marche-arrêt est position Marche (On) peut causer des accidents.*
- d) **Avant d'allumer l'outil électrique, retirez les outils de réglage ou les clés.** *Un outil ou une clé se trouvant dans un élément tournant de la machine peut entraîner des blessures.*
- e) **Évitez une posture anormale. Ayez un appui stable et gardez l'équilibre en permanence.** *Vous pouvez ainsi mieux contrôler l'outil électrique dans des situations imprévues.*
- f) **Portez des vêtements appropriés. Ne portez pas de vêtements amples ni de bijoux. Gardez les cheveux, les vêtements et les gants à distance des éléments mobiles.** *Des vêtements amples, bijoux ou longs cheveux peuvent être happés par les éléments mobiles.*
- g) **Si des dispositifs d'aspiration ou de récupération des poussières peuvent être montés, assurez-vous qu'ils sont connectés et peuvent être utilisés correctement.** *L'utilisation d'une aspiration des poussières peut diminuer les risques causés par la poussière.*
- h) **La familiarité acquise par l'utilisation fréquente des outils ne doit pas laisser place à la complaisance et à l'ignorance des principes de sécurité de l'outil.** *Une action imprudente peut causer de graves blessures en une fraction de seconde.*
- 4. Utilisation et traitement de l'outil électrique**
- a) **Ne surchargez pas l'appareil.** *Utilisez l'outil électrique adapté à votre application. Vous travaillez mieux et de manière plus sûre avec un outil électrique approprié dans la gamme de puissance indiquée.*
- b) **N'utilisez pas un outil électrique avec un interrupteur défectueux.** *Un outil électrique qui ne peut plus être allumé ou éteint est dangereux et doit être réparé.*
- c) **Débranchez la fiche de la source électrique et / ou retirez la batterie de l'outil électrique, si elle est amovible, avant de procéder à des ajustements, remplacer des accessoires ou ranger les outils électriques.** *De telles mesures préventives réduisent le risque de démarrage accidentel de l'outil électrique.*
- d) **Conservez les outils électriques non utilisés hors la portée des enfants. Ne permettez pas aux personnes qui ne sont pas familiarisées avec cet appareil ou qui n'ont pas lu ces instructions de l'utiliser.** *Les outils électriques sont dangereux lorsqu'ils sont utilisés par des personnes inexpérimentées.*
- e) **Entretenez les outils électriques et les accessoires. Vérifiez la dérive d'alignement ou l'attache des pièces mobiles, la rupture des pièces et s'assurer qu'aucun autre problème peut affecter le bon fonctionnement de l'outil électrique. Faire réparer l'outil endommagé avant l'utilisation.** *De nombreux accidents sont dus au mauvais entretien des outils électriques.*
- f) **Maintenez vos outils de coupe aiguisés et propres.** *Les outils de coupe aux bords tranchants bien soignés se coincent moins et sont plus aisés à guider.*
- g) **Utilisez l'outil électrique, les accessoires, les outils utilisés, etc. conformément au présent mode d'emploi. Tenez compte des conditions de travail et de l'activité à réaliser.** *L'utilisation des outils électriques pour des usages autres que prévus peut entraîner des situations dangereuses.*
- h) **Gardez les poignées et les surfaces de prise sèches, propres et exemptes d'huile et de graisse.** *Les poignées et surfaces de prise glissantes ne permettent pas d'effectuer une manipulation et un contrôle de l'outil en toute sécurité dans des situations imprévues.*
- 5. Utilisation et traitement de l'outil sans fil**
- a) **Chargez les batteries uniquement dans les chargeurs recommandés par le fabricant.** *L'utilisation d'un chargeur pour des batteries non appropriées présente un risque d'incendie.*
- b) **Utilisez dans les outils électriques uniquement les batteries prévues à cet effet.** *L'utilisation d'autres batteries peut entraîner des blessures et le risque d'incendie.*
- c) **Conservez la batterie non utilisée à distance des trombones, pièces de monnaie, clés, clous, vis ou autres menus objets en métal susceptibles de provoquer un**

**pontage des contacts.** *Un court-circuit entre les contacts de la batterie peut entraîner des brûlures ou le feu.*

- d) **En cas d'utilisation incorrecte, un liquide peut s'échapper de la batterie. Ne le touchez pas. Rincez à l'eau en cas de contact fortuit. Si le liquide entre en contact avec les yeux, consultez également le médecin.** *Le liquide s'échappant de la batterie peut causer des irritations cutanées ou des brûlures.*
- e) **Ne pas utiliser une BATTERIE ou un outil endommagé(e) ou modifié(e).** *Les batteries endommagées ou modifiées peuvent agir de manière imprévisible et donner lieu à un incendie, une EXPLOSION ou un risque de blessure.*
- f) **Ne pas exposer une BATTERIE ou un outil au feu ou à une température excessive.** *Une exposition au feu ou à une température supérieure à 266°F (130°C) peut causer une explosion.*
- g) **Suivre toutes les instructions de charge et ne pas charger la BATTERIE ou l'outil en dehors de la gamme de température spécifiée dans les instructions.** *Un mauvais chargement ou un chargement à des températures en dehors de la gamme spécifiée peut endommager la BATTERIE et augmenter les risques d'incendie.*
6. **Service**
- a) **Faites réparer votre outil électrique uniquement par des spécialistes qualifiés et uniquement avec des pièces de rechange d'origine.** *Cela garantit le maintien de la sécurité de l'outil électrique.*
- b) **Ne jamais entretenir des BATTERIES endommagées.** *L'entretien des BATTERIES doit être effectué uniquement par le fabricant ou par des prestataires de service autorisés.*

#### 1.) POUR TOUS LES APPAREILS SANS FIL

- Ne chargez pas l'appareil sous la pluie ou dans des locaux humides.
- N'utilisez pas les appareils à batterie sous la pluie. Retirez toujours la batterie avant l'ajustement, le nettoyage, le service ou le transport l'appareil de jardin.

#### 2.) POUR TOUS LES PRODUITS SANS FIL AVEC UNE BATTERIE AMOVIBLE OU DÉMONTABLE :

- Utilisez uniquement la batterie de type et de taille suivants :

18V 1,5Ah PXC batterie Li-ion  
 18V 2,0Ah PXC batterie Li-ion  
 18V 2,5Ah PXC batterie Li-ion  
 18V 3,0Ah PXC batterie Li-ion  
 18V 4,0Ah PXC batterie Li-ion  
 18V 3,0Ah PXC Plus batterie Li-ion  
 18V 4,0Ah PXC Plus batterie Li-ion  
 18V 5,2Ah PXC Plus batterie Li-ion  
 18V 4,0Ah/6,0Ah PXC Plus batterie Li-ion  
 18V 5,0Ah/8,0Ah PXC Plus batterie Li-ion

- Ne jetez pas la batterie dans le feu. La cellule peut exploser. Consultez les règlements locaux pour connaître les instructions d'élimination spécifiques possibles.
- N'ouvrez ni n'abîmez la batterie. L'électrolyte libéré est corrosif et peut être dangereux pour les yeux ou la peau. Il peut être toxique s'il est avalé.
- Manipulez la batterie avec précaution afin de ne pas la court-circuiter avec des matériaux conducteurs, tels que les bagues, les bracelets et les clés. La batterie ou le conducteur peuvent surchauffer et causer des brûlures.

#### 3.) ÉVITEZ UN DÉMARRAGE ACCIDENTEL – N'INSÉREZ PAS LA BATTERIE ALORS QUE VOTRE DOIGT EST SUR L'INTERRUPTEUR. ASSUREZ-VOUS QUE L'INTERRUPTEUR EST SUR L'ARRÊT EN INSÉRANT LA BATTERIE. RÈGLES DE SÉCURITÉ SUPPLÉMENTAIRES POUR TAILLE-HAIE

- Gardez les gardes de protections en place et en bon état de marche.
- Gardez les mains et les pieds hors de la zone de coupe.

#### AVERTISSEMENTS DE SÉCURITÉ GÉNÉRAUX POUR LA BATTERIE

- Éliminez la batterie usée vite et promptement. Lors de l'élimination des piles secondaires ou des batteries, gardez les piles ou les batteries de différents systèmes électrochimiques séparément les unes des autres.
- Gardez la batterie hors de portée des enfants dans l'emballage d'origine jusqu'à son utilisation.
- Ne mettez jamais les batteries dans la bouche. Si elles sont avalées, contactez immédiatement le centre antipoison local.
- PRUDENCE – La batterie utilisée dans cet appareil peut présenter un risque d'incendie ou de brûlure chimique en cas de mauvaise manipulation. Remplacez uniquement la batterie de marque principale Einhell / gazon.

L'utilisation d'une autre batterie peut présenter un risque d'incendie ou d'explosion.

- **AVERTISSEMENT** : N'utilisez pas une batterie ou un appareil visiblement endommagé.
- **AVERTISSEMENT** : Ne modifiez ni n'essayez de réparer l'appareil ou la batterie.
- **LES BATTERIES DOIVENT ÊTRE RECYCLÉES.**
- Ne court-circuitez une cellule ou une batterie. Ne conservez pas les piles ou les batteries au hasard dans une boîte ou un tiroir ou elles peuvent court-circuiter entre elles ou être court-circuitées par les matériaux conducteurs.
- N'exposez pas les piles ou les batteries aux chocs mécaniques.
- Gardez les piles et les batteries dans un endroit propre et sec. Essayez les bornes des piles ou des batteries avec un linge propre et sec si elles deviennent sales.
- Ne gardez pas les piles et les batteries chargées si vous ne les utilisez pas.
- Conservez la pile et la batterie d'origine. N'utilisez pas d'autres chargeurs que ceux qui sont spécifiquement fournies pour être utilisés avec l'équipement. Les piles et les batteries secondaires doivent être cherchées avant l'utilisation. Utilisez toujours le chargeur correct et référez-vous aux instructions du fabricant ou au mode d'emploi de l'équipement pour consulter les instructions de chargement correctes.
- Si possible, retirez la batterie de l'équipement lorsque vous ne l'utilisez pas.
- Empêchez tout démarrage non intentionnel. Assurez-vous que le bouton Marche/Arrêt est en position arrêt (OFF) avant de brancher la batterie, de prendre et de transporter l'outil. Le transport de l'appareil avec le doigt sur le bouton Marche/Arrêt ou la mise sous tension des appareils électriques dont le bouton Marche/Arrêt est en position marche (ON) peuvent causer des accidents.
- Débranchez la batterie de l'appareil avant de procéder aux ajustements, de remplacer les accessoires ou de ranger l'appareil. De telles mesures préventives réduisent le risque de démarrage accidentel de l'appareil.
- Dans des conditions abusives, un liquide peut sortir de la batterie, évitez le contact. En cas de contact accidentel, rincez avec de l'eau. En cas de contact du liquide avec les yeux, consultez un médecin. Le liquide sorti de la batterie peut causer des irritations ou des brûlures.
- Confiez le service à un réparateur qualifié qui utilise uniquement les pièces de rechange identiques. Cela permettra de maintenir la sécurité du produit.
- **Protégez votre batterie de l'humidité, de la pluie et de l'humidité de l'air élevée.** L'humidité, la pluie et l'humidité de l'air élevée peuvent endommager dangereusement les cellules. En aucun cas, ne chargez ni ne travaillez avec la batterie qui a été exposée à l'humidité, à la pluie ou à l'humidité de l'air élevée – remplacez-les immédiatement !
- Si votre appareil est équipé d'une batterie amovible, retirez-la de votre appareil à la fin de votre travail pour des raisons de sécurité.

#### **CONSIGNES DE SÉCURITÉ IMPORTANTES POUR LE CHARGEUR**

**AVERTISSEMENT** : Ce produit peut contenir du plomb, du phtalate ou autres produits chimiques reconnus par l'État de Californie comme cause de cancer, d'anomalies congénitales et de lésions de l'appareil reproducteur. Veuillez laver vos mains après l'utilisation.

#### **Protection contre les influences de l'environnement**

1. Portez une tenue de travail appropriée. Portez des lunettes de protection.
2. **Protégez votre appareil à accumulateur et le chargeur de l'humidité et de la pluie.** L'humidité et la pluie peuvent entraîner des dommages dangereux au niveau des cellules.
3. N'utilisez pas l'appareil à accumulateur et le chargeur à proximité de vapeurs et de liquides combustibles.
4. Utilisez le chargeur et les appareils à accumulateurs uniquement à l'état sec et avec une température ambiante de 10-40° C.
5. Ne conservez pas l'accumulateur dans un endroit dont la température peut atteindre plus de 40° C, tout particulièrement dans une voiture garée au soleil.
6. **Protégez les accumulateurs de la surchauffe !** Toute surcharge ou ensoleillement conduit à une surchauffe et à un endommagement des cellules. Ne chargez et ne travaillez jamais avec des accumulateurs, surchauffés – remplacez-les immédiatement.
7. **Stockage d'accumulateurs, des chargeurs et de l'appareil à accumulateur.** Entrez le chargeur et votre appareil à accumulateur uniquement dans des salles sèches avec une température ambiante de 10-40°C. Stockez la batterie lithium-ion à un

endroit frais et sec à 10-20°C. Protégez-la de l'humidité de l'air et des rayons du soleil ! Stockez uniquement les accumulateurs chargés. (charge mini. 40%)

8. Evitez que la batterie lithium-ion gèle. Mettez au rebut les accumulateurs qui ont été stockés pendant plus de 60 minutes à une température inférieure à 0°C.
9. Faites attention à la charge électrostatique lors du maniement des accumulateurs : les décharges électrostatiques endommagent le système électronique de protection et les cellules d'accumulateur ! Evitez par conséquent la charge électrostatique et ne touchez jamais les pôles de l'accumulateur !

#### Consignes de sécurité pour taille-haie à perche

##### Avertissements de taille-haie à perche:

- **N'utilisez pas le taille-haie à perche par mauvais temps, en particulier lorsqu'il y a un risque de foudre.** Cela diminue le risque d'être frappé par la foudre.
- **Pour réduire le risque d'électrocution, n'utilisez jamais l'appareil à proximité des lignes électriques.** L'utilisation à proximité des lignes électriques ou le contact avec celles-ci pourrait causer une grave blessure ou un choc électrique mortel.
- **Manipulez toujours le taille-haie à perche avec les deux mains.** Tenez le taille-haie à perche avec les deux mains pour éviter une perte de contrôle.
- **Portez toujours un casque pendant l'utilisation du taille-haie au-dessus de la tête.** La chute de débris peut causer de graves blessures.

**AVERTISSEMENT – Utilisez uniquement avec la poignée et le garde de protection correctement montés sur le taille-haie. L'utilisation du taille-haie sans garde de protection correcte ou la poignée fournies peut entraîner une grave blessure.**

##### Avertissements de sécurité pour les taille-haies :

- a) **Gardez toutes les parties du corps éloignées de la lame. Ne retirez pas le matériau coupé et ne tenez pas le matériau à couper lorsque les lames sont en mouvement.** La perte de contrôle pourra survenir à cause d'un usage à une main, ce qui causera aussi des blessures graves.
- b) **Portez le taille-haie par la poignée avant avec la lame à l'arrêt et en prenant soin**

**de n'actionner aucun interrupteur d'alimentation.** Un port approprié du taille-haie réduira le risque de démarrage intempestif et de blessures corporelles résultant des lames.

- c) **Lors du transport ou de l'entreposage du taille-haies, toujours mettre la garde-lame.** Bien manipuler le taille-haies permettra de minimiser le risque de blessures physiques causées par les lames.
- d) **Lors de l'enlèvement du matériel coincé ou de l'entretien de l'unité, veuillez s'assurer que tous les commutateurs « Marche / Arrêt » sont éteints et le bloc-piles est débranché.** L'activation imprévue du taille-haies lors d'une tâche de débouillage ou d'entretien pourra causer des blessures physiques graves.
- e) **Ne tenir l'outil que par les surfaces de prise isolées puisque la lame pourra entrer en contact avec des fils électriques cachés.** Les lames qui entrent en contact avec un fil sous tension « électrifieront » les pièces en métal de la machine qui soient exposées, ce qui pourra électrocuter l'utilisateur.
- f) **Tenir tous les fils et les cordons électriques à l'écart de l'aire de coupe.** Il est possible que des fils et des cordons électriques soient cachés parmi les haies ou les arbustes et que la lame puisse les couper par hasard.
- g) **Ne pas utiliser le taille-haies par mauvais temps, particulièrement s'il y a un risque des éclairs.** Ceci minimisera les probabilités d'être touché par la foudre.

##### Consignes de sécurité supplémentaires

- **Avant de démarrer le taille-haie, vérifiez s'il y a des objets dissimulés, tels que clôtures barbe-lées.**
- **Tenez le taille-haie correctement avec les deux mains.**
- **Assurez-vous toujours que toutes les poignées et gardes de protections sont fixés avant d'utiliser le taille-haie.**
- **N'utilisez pas une machine incomplète ou ayant subi une modification non autorisée.**
- **Avant le nettoyage du taille-haie, mettez à l'arrêt l'outil et retirez la batterie.**
- **Vérifiez régulièrement si les lames sont endommagées, si c'est le cas, réparez-les immédiatement.**
- **Ne permettez jamais aux enfants d'utiliser le taille-haie.**
- **Insérez la lame dans le garde de protec-**

**tion, assurez-vous que la lame est bien protégée après l'utilisation.**

- **N'utilisez pas l'outil par du mauvais temps, en particulier pendant les orages.**

## CONSERVEZ CES INSTRUCTIONS

**Explication des symboles sur l'appareil (voir la fig. 20) :**

1. Avertissement!
2. Portez la protection des yeux / de la tête et de l'audition!
3. Protégez l'appareil contre la pluie ou l'humidité!
4. Danger de mort par électrocution. La distance par rapport aux lignes électriques doit être d'au moins 10 m (33 pieds)!
5. Lire le mode d'emploi avant la mise en marche!
6. Portez des chaussures robustes!
7. Prenez garde à la chute et à la projection des pièces!
8. Gardez la distance.
9. Portez des gants de protection.

## 2. Description de l'appareil et contenu de l'emballage

### 2.1 Description de l'appareil

1. Poignée
2. Interrupteur marche/arrêt
3. Verrou de l'interrupteur
4. Bouton de blocage du réglage d'inclinaison de la poignée
5. Bandoulière avec déverrouillage de sécurité
6. Fixation de la bandoulière avec écrou papillon
7. Surface de préhension
8. Écrou de verrouillage
9. Extension
10. Unité taille-haie (unité avec tube)
11. Unité motrice (unité avec tube)
12. Garde de protection de la lame du taille-haie
13. Mousqueton
14. Fixation de la bandoulière
15. Écrou papillon
16. Vis de montage
17. Bouton de blocage du réglage d'inclinaison du carter du moteur
18. Touche d'enclenchement
19. Bouton de témoin de charge de la batterie
20. Témoin de charge de la batterie

### 2.2 Contenu d'emballage

Veillez vérifier l'intégralité de l'article au moyen du contenu d'emballage décrit. En cas de pièces manquantes, veuillez contacter notre centre de service à la clientèle ou le point de vente où vous avez acheté l'appareil au plus tard dans les 5 jours ouvrables à compter de l'achat de l'article en présentant un reçu de caisse valable.

- Ouvrez l'emballage et retirez prudemment l'appareil.
- Enlevez le matériel d'emballage ainsi que les sécurités d'emballage et de transport (le cas échéant).
- Vérifiez l'intégralité du contenu d'emballage.
- Vérifiez si l'appareil et les accessoires présentent des dommages dus au transport.
- Si possible, conservez l'emballage jusqu'à l'expiration de la durée de garantie.

### Danger !

**L'appareil et le matériel d'emballage ne sont pas un jouet ! Les enfants ne doivent pas jouer avec des sachets en plastique, des films ou de petites pièces ! Il existe le risque d'ingestion et de suffocation !**

- Poignée avec tube
- Rallonge
- Élément taille-haie avec tube et protection de lame
- Bandoulière
- Mode d'emploi d'origine avec consignes de sécurité

### Accessoires disponibles séparément

18V 1,5Ah PXC batterie Lithium-Ion  
 18V 2,0Ah PXC batterie Lithium-Ion  
 18V 2,5Ah PXC batterie Lithium-Ion  
 18V 3,0Ah PXC batterie Lithium-Ion  
 18V 4,0Ah PXC batterie Lithium-Ion  
 18V 3,0Ah PXC Plus batterie Lithium-Ion  
 18V 4,0Ah PXC Plus batterie Lithium-Ion  
 18V 5,2Ah PXC Plus batterie Lithium-Ion  
 18V 4,0Ah/6,0Ah PXC Plus batterie Lithium-Ion  
 18V 5,0Ah/8,0Ah PXC Plus batterie Lithium-Ion  
 18V PXC chargeur rapide à double raccord  
 18V PXC chargeur rapide

Contactez votre détaillant pour les modèles plus spécifiques de batteries et de chargeurs disponibles dans votre région. Vous pouvez également explorer les options de batterie + chargeur sur [Einhell.com](http://Einhell.com).


### 3. Utilisation conforme

Ce taille-haie à perche sans fil convient pour la taille de haies, de buissons et de broussailles. Attention ! N'utilisez pas l'appareil pour couper de l'herbe.

La machine ne doit être utilisée que conformément à sa destination. Toute autre utilisation dépassant ce cadre n'est pas conforme. C'est l'utilisateur / l'opérateur qui est responsable de tous les dommages ou blessures de toute nature en résultant et non pas le fabricant.

Veillez noter que nos appareils n'ont pas été conçus pour une utilisation commerciale, artisanale ou industrielle. Nous n'accordons aucune garantie si l'appareil est utilisé dans des entreprises commerciales, artisanales ou industrielles ou pour des activités équivalentes.

### 4. Caractéristiques techniques

Alimentation électrique du moteur: ..... 18V   
 Vitesse de coupe: ..... 1400 CPM  
 Longueur de lame: ..... 45 cm (18")  
 Diamètre de coupe max.: ..... 18 mm (0,70")  
 Angles de la tête: ..... 67,5° à 67,5°  
 Angles de la poignée principale: ..... -90°, 0°, 90°  
 Poids (outil seulement): ..... 3,17 kg (7 lb)

#### Limitez à un minimum l'émission de bruit et les vibrations !

- Utilisez uniquement des appareils irréprochables.
- Entretenez et nettoyez l'appareil régulièrement.
- Adaptez votre méthode de travail à l'appareil.
- Ne surchargez pas l'appareil.
- Faites examiner l'appareil le cas échéant.
- Éteignez l'appareil lorsqu'il n'est plus utilisé.
- Portez des gants.

### 5. Avant la mise en marche

**Attention !** Ne montez la batterie qu'après avoir complètement assemblé l'appareil et réalisé tous les réglages. Pour éviter des blessures, portez constamment des chaussures de protection pendant les travaux sur l'appareil. Déballiez soigneusement toutes les pièces et vérifiez leur intégralité (fig. 1).

Utilisez la garde de protection de lame (fig. 2, pos. 12)

#### 5.1 Montage de la bandoulière

(fig. 3) : Accrochez les crochets de mousqueton (pos. 13) de la bandoulière (pos. 5) sur les fixations pour bandoulière (pos. 6/14).

#### 5.2 Montage de tube

Il est possible de monter le taille-haie à perche sans fil avec ou sans rallonge (fig. 2 / pos. 9).

#### 5.3 Montage avec la rallonge

1. (fig. 4-5) Veillez à ce que les vis de montage (pos. 16) se trouvent du même côté et insérez le tube avec carter du moteur / taille-haie (pos. 10) dans la rallonge (pos. 9). Vissez les deux tubes avec l'écrou de verrouillage (pos. 8).
2. (fig. 6) Insérez la rallonge (pos. 9) dans le tube avec élément de commande (pos. 11) et vissez les deux tubes avec l'écrou de verrouillage (pos. 8). Le taille-haie à perche sans fil est vissé (fig. 1). Le démontage doit être effectué dans l'ordre inverse.

#### 5.4 Montage sans rallonge

Insérez le tube avec carter du moteur / taille-haie (fig. 2/pos. 10) dans le tube avec élément de commande (fig. 2/pos. 11) et vissez les deux tubes avec l'écrou de verrouillage (fig. 2 / pos. 8). Le taille-haie à perche sans fil est vissé. Le démontage doit être effectué dans l'ordre inverse.

#### 5.5 Utilisation de la bandoulière

**Attention !** Pendant le travail, portez toujours la bandoulière. Éteignez toujours l'appareil avant de détacher la bandoulière. Il y a un risque de blessure.

1. Faites passer la bandoulière (fig. 7/pos. 8) par-dessus l'épaule.
2. Réglez la longueur de la bandoulière de telle manière que la fixation de la bandoulière se trouve à la hauteur de la hanche (fig. 7).

3. La bandoulière est équipée d'une boucle. Faites pression sur les crochets si vous devez poser l'appareil rapidement (fig. 8).
4. Pour modifier la position de la bandoulière sur l'appareil, desserrez l'écrou papillon (fig. 3/pos. 15) dans le sens contraire à celui des aiguilles d'une montre et déplacez la fixation pour bandoulière à l'endroit voulu du tube. Resserrez ensuite l'écrou papillon (fig. 3/pos. 15) dans le sens des aiguilles d'une montre.

### 5.6 Réglage de l'inclinaison du carter de moteur / taille-haie (fig. 9)

Appuyez sur le bouton de verrouillage (pos. 17) et réglez l'inclinaison de la tête du taille-haie (pos. 10) sur 7 positions d'enclenchement.

### 5.7 Tourner la poignée (fig. 10)

Appuyez sur les deux boutons de verrouillage (pos. 4) et tournez la poignée (pos. 1) de 90° vers la gauche ou de 90° vers la droite.

### 5.8 Montage de la batterie (fig. 11)

Appuyez sur la touche d'enclenchement (18) de la batterie et insérez la batterie dans le logement de batterie prévu à cet effet. Dès que la batterie est dans une position comme figurant sur la figure 11, veillez à ce que la touche d'enclenchement s'enclenchent ! Le démontage de la batterie s'effectue dans l'ordre inverse !

## 6. Fonctionnement

Veillez tenir compte des dispositions légales de la réglementation de la protection sonore, qui peuvent varier d'un lieu à un autre.

**Attention !** Portez toujours une bandoulière pendant le travail. Éteignez toujours l'appareil avant de détacher la bandoulière. Il existe un risque de blessure.

Placez la bandoulière comme décrit précédemment, montez l'attachement souhaité et réglez l'appareil en fonction de vos besoins.

### Mise en marche/arrêt

#### Mise en marche (fig. 13)

- Tenez l'appareil des deux mains par la poignée et la surface de poignée.
- Appuyez sur le verrouillage de démarrage (pos. 3) et maintenez-le enfoncé.
- Mettez l'appareil en marche avec l'interrupteur

teur marche/arrêt (pos. 2). Relâchez à présent le verrouillage de démarrage.

### Mise à l'arrêt

Relâchez l'interrupteur marche/arrêt (fig. 13/pos. 2).

### 6.1 Chargement de la batterie au Lithium-Ion (non inclus)

Vous trouverez les instructions correspondantes dans le mode d'emploi d'origine de votre chargeur.

### 6.2 Affichage de la capacité de la batterie (image 12/Pos. 20)

Appuyez sur l'interrupteur de l'affichage de la capacité de la batterie (19). L'affichage de la capacité de la batterie (20) signale l'état de charge de la batterie au moyen de 3 DEL.

#### Les 3 DEL s'allument:

La batterie est complètement chargée.

#### 2 ou 1 DEL s'allument:

La batterie a une charge résiduelle suffisante.

#### 1 DEL clignote:

La batterie est déchargée, chargez la batterie.

#### Tous les voyants clignent :

La température de la batterie est trop basse. Retirez la batterie de l'appareil, laissez-la à température ambiante pendant une journée. Si le défaut se reproduit, cela signifie que la batterie rechargeable a subi une décharge complète et est défectueuse. Retirez la batterie de l'équipement. N'utilisez ou ne chargez jamais une batterie défectueuse.

## 7. Utilisation avec l'attachement du taille-haie

- Vérifiez le fonctionnement des lames de coupe. Les lames à deux tranchants sont contrebalancées, ce qui leur garantit un rendement élevé et un fonctionnement silencieux.
- Veillez à une position sûre et tenez l'appareil fermement avec les deux mains et à distance de votre propre corps. Avant la mise en marche, veillez à ce que l'appareil ne touche rien.



### Instruction d'utilisation

- En dehors des haies, le taille-haie peut également être utilisé pour tailler les arbustes et les buissons.
- Vous obtiendrez la meilleure performance de coupe en dirigeant le taille-haie de manière à orienter les dents de la lame à un angle d'environ 15° par rapport à la haie (voir fig. 14).
- Les lames contrebalancées à deux tranchants permettent de tailler dans les deux sens (voir fig. 15).
- Pour obtenir une hauteur de haie égale et à niveau, il est recommandé de tendre un fil le long de la bordure de haie. Les branches qui dépassent doivent être coupées (voir fig. 16-17).
- Les surfaces latérales d'une haie doivent être taillées par des mouvements circulaires de bas en haut (voir fig. 18).

## 8. Nettoyage et entretien

### Danger !

Avant tout travail de nettoyage, retirez la batterie de l'appareil.

### 8.1 Nettoyage

- Nettoyez régulièrement les lames du taille-haie en soufflant dessus avec de l'air comprimé ou en l'époussetant avec une brosse. N'utilisez pas d'outils pour le nettoyage.
- Maintenez les poignées exemptes d'huile pour avoir toujours une bonne prise.
- Ne plongez jamais l'appareil dans l'eau ou d'autres liquides pour le nettoyer.
- Enlevez les dépôts sur les gardes de protection à l'aide d'une brosse.
- Maintenez les dispositifs de protection, les fentes d'aération et les carters de moteur aussi exempt de poussières et de saletés que possible. Frottez l'appareil avec un linge propre et nettoyez-le à l'air comprimé à basse pression.
- Nous recommandons de nettoyer l'appareil directement après chaque utilisation.
- Nettoyez l'appareil régulièrement avec un linge humide et un peu de savon doux. N'utilisez pas de détergeant ni de solvants ; ils peuvent détériorer les éléments en plastique de l'appareil. Veillez à ce que l'eau ne puisse pas pénétrer à l'intérieur de l'appareil. La pénétration de l'eau dans un appareil électrique augmente le risque d'une électrocution.

### 8.2 Entretien

Pour avoir en permanence les meilleures performances, les lames devraient être régulièrement nettoyées et lubrifiées. Enlevez les dépôts à l'aide d'une brosse et appliquez une légère pellicule d'huile à machine (fig. 19).

## 9. Élimination et recyclage

L'appareil se trouve dans un emballage pour empêcher les dommages dus au transport. Cet emballage constitue une matière première et peut par conséquent être réutilisé ou peut être recyclé. L'appareil et ses accessoires sont fabriqués à partir de différents produits, comme par exemple le métal et les matières plastiques. Ne jetez pas les appareils défectueux dans les déchets ménagers. Pour être éliminé de façon appropriée, l'appareil devrait être déposé à un lieu de collecte approprié. Si vous ne connaissez aucun lieu de collecte, informez-vous auprès de l'administration municipale.

## 10. Entreposage

Entreposez l'appareil et ses accessoires dans un endroit sombre, sec et exempt de gel ainsi que hors la portée des enfants. La température d'entreposage optimale se situe entre 5 °C et 30 °C (41 °F et 86 °F). Entreposez l'outil électrique dans l'emballage d'origine.

Une réimpression ou toute autre reproduction de la documentation et des documents accompagnant les produits, même par extraits, ne sont autorisées qu'avec accord exprès d'Einhell Germany AG.

Sous réserve des modifications techniques.

## 11. Plan de dépannage

### Danger !

Mettre à l'arrêt et retirez la batterie avant le dépannage.

Le tableau ci-dessous présente des symptômes de défauts et décrit la procédure à suivre en cas de problème avec votre appareil. Si cela ne vous aide pas à localiser et supprimer le problème, adressez-vous à votre centre de service.

Problème	Cause possible	Solution
L'appareil ne fonctionne pas.	<ul style="list-style-type: none"><li>- Batterie vide.</li><li>- Batterie mal insérée.</li></ul>	<ul style="list-style-type: none"><li>- Chargez la batterie.</li><li>- Retirez et réinsérez la batterie.</li></ul>
L'appareil fonctionne par intermittence.	<ul style="list-style-type: none"><li>- Mauvais contact externe.</li><li>- Mauvais contact interne.</li><li>- Interrupteur marche/arrêt défectueux.</li></ul>	<ul style="list-style-type: none"><li>- Faire appel au centre de service.</li><li>- Faire appel au centre de service.</li><li>- Faire appel au centre de service.</li></ul>

Si l'appareil ne fonctionne pas malgré les mesures de dépannage et la présence de tension, veuillez contacter un centre de service.

**Peligro!**

Al usar aparatos es preciso tener en cuenta una serie de medidas de seguridad para evitar lesiones o daños. Por este motivo, es preciso leer atentamente este manual de instrucciones/advertencias de seguridad. Guardar esta información cuidadosamente para poder consultarla en cualquier momento. En caso de entregar el aparato a terceras personas, será preciso entregarles, asimismo, el manual de instrucciones/advertencias de seguridad. No nos hacemos responsables de accidentes o daños provocados por no tener en cuenta este manual y las instrucciones de seguridad.

**1. Instrucciones de seguridad****Peligro!**

**Lea todas las instrucciones de seguridad e indicaciones.** El incumplimiento de dichas instrucciones e indicaciones puede provocar descargas, incendios y/o daños graves. **Guarde todas las instrucciones de seguridad e indicaciones para posibles consultas posteriores.**

**Instrucciones generales de seguridad para herramientas eléctricas**

El término de "herramienta eléctrica" que se usa en las instrucciones de seguridad se refiere a las herramientas que funcionan en red (con cable de conexión) y con batería (sin cable de conexión).

**1. Seguridad en el lugar de trabajo**

- a) **Mantener limpia y bien iluminada la zona de trabajo.** *Las zonas de trabajo desordenadas o sin luz pueden conllevar accidentes.*
- b) **No trabajar con este aparato eléctrico en un entorno explosivo en el que se hallen líquidos, gases o polvos inflamables.** *Las herramientas eléctricas generan chispas que pueden inflamar el polvo o los vapores.*
- c) **Mantener alejados a niños y a otras personas fuera del alcance de la herramienta eléctrica.** *Las distracciones pueden hacer perder el control sobre el aparato.*

**2. Seguridad eléctrica**

- a) **El enchufe del aparato eléctrico debe ser el adecuado para la toma de corriente. El enchufe no debe ser modificado de ningún modo. No emplear adaptadores de enchufe con aparatos eléctricos puestos a tierra.** *Los enchufes sin modificar y las*

*tomas de corriente adecuadas reducen el riesgo de una descarga eléctrica.*

- b) **Evitar el contacto corporal con superficies con toma de tierra como tubos, calefacciones, fogones y frigoríficos.** *Existe un gran riesgo de descarga eléctrica si su cuerpo se halla puesto a tierra.*
  - c) **Mantener los aparatos eléctricos alejados de la lluvia o la humedad.** *Si entra agua en el aparato eléctrico existirá mayor riesgo de una descarga eléctrica.*
  - d) **No utilizar el cable de forma inadecuada, no utilizarlo para transportar el aparato, colgarlo o retirarlo de la toma de corriente. Mantener el cable alejado del calor, aceites, cantos afilados o partes del aparato en movimiento.** *Los cables dañados o mal enrollados aumentan el riesgo de descarga eléctrica.*
  - e) **Si se trabaja con una herramienta eléctrica al aire libre, emplear sólo alargaderas que también sean adecuadas para el exterior.** *El empleo de una alargadera apropiada para trabajos en el exterior reduce el riesgo de descarga eléctrica.*
  - f) **Si no se puede evitar tener que utilizar la herramienta eléctrica en un entorno húmedo, utilizar un dispositivo de protección diferencial.** *El uso de un dispositivo de protección diferencial reduce el riesgo de sufrir una descarga eléctrica.*
- 3. Seguridad de personas**
- a) **Prestar atención al trabajo, comprobar lo que se está haciendo y proceder de forma razonable durante el trabajo de una herramienta eléctrica. No emplear la herramienta eléctrica si se está cansado o bajo la influencia de drogas, alcohol o medicamentos.** *Una mínima falta de atención durante el uso de la herramienta eléctrica puede causar lesiones graves.*
  - b) **Llevar equipo de protección personal. Llevar siempre gafas protectoras.** *El equipo de protección (como mascarilla antipolvo, calzado de seguridad antideslizante, casco o protección auditiva) usado en las condiciones adecuadas sirve para reducir las lesiones personales.*
  - c) **Prevenir un arranque no intencionado. Asegurarse de que el interruptor se encuentre en la posición OFF antes de conectar la herramienta a la fuente eléctrica y/o BATERÍA, alzarla o transportarla.** *El transporte de herramientas eléctricas con el*

*dedo en el interruptor o la activación de herramientas eléctricas con el interruptor en ON puede provocar accidentes.*

- d) **Retirar las herramientas de ajuste o la llave antes de conectar la herramienta eléctrica.** *Una herramienta o llave que se haya olvidado en partes giratorias del aparato puede producir lesiones.*
  - e) **Evitar trabajar en una posición corporal inadecuada. Adoptar una posición segura y mantener en todo momento el equilibrio.** *Ello permite controlar mejor la herramienta eléctrica en situaciones inesperadas.*
  - f) **Llevar ropa de trabajo adecuada. No llevar ropa holgada ni joyas durante el trabajo. Mantener el cabello, la ropa y los guantes alejados de las piezas en movimiento.** *La ropa holgada, las joyas o los cabellos largos pueden ser atrapados por las piezas en movimiento.*
  - g) **Si el aparato permite instalar dispositivos de aspiración y recogida del polvo, es preciso asegurarse de que estén conectados y se empleen de forma correcta.** *La utilización de un aspirador de polvo puede reducir los peligros provocados por el mismo.*
  - h) **A pesar de estar muy familiarizado con el uso de las herramientas, no confiarse en exceso ni ignorar las normas de seguridad de la herramienta.** *Un descuido puede conllevar una lesión grave en milésimas de segundo.*
- 4. Empleo y tratamiento de la herramienta eléctrica**
- a) **No sobrecargar el aparato. Usar la herramienta eléctrica específica para cada trabajo.** *Con la herramienta eléctrica adecuada se trabaja mejor y con más seguridad permaneciendo dentro de la potencia indicada.*
  - b) **No usar ninguna herramienta eléctrica cuyo interruptor esté defectuoso.** *Una herramienta eléctrica que ya no pueda conectarse o desconectarse conlleva peligros y debe repararse.*
  - c) **Desconectar el enchufe de la toma de corriente y/o retirar la batería, si es desmontable, de la herramienta eléctrica antes de realizar cualquier ajuste, cambiar accesorios o almacenarla.** *Este tipo de medidas de seguridad preventivas sirve para reducir el riesgo de poner en marcha la herramienta eléctrica de manera involuntaria.*
  - d) **Guardar las herramientas eléctricas que no se usen fuera del alcance de los niños.**

**No permitir el uso del aparato a personas que no estén familiarizadas con él o no hayan leído estas instrucciones.** *Las herramientas eléctricas son peligrosas si las usan personas sin experiencia.*

- e) **Realizar el mantenimiento de las herramientas eléctricas y los accesorios. Comprobar que las piezas móviles no estén desajustadas ni atascadas, que las piezas no presenten rotura ni otras condiciones que puedan afectar al funcionamiento de la herramienta eléctrica.** *En caso de que la herramienta eléctrica esté dañada, es preciso que sea reparada antes de utilizarla de nuevo.* *Muchos accidentes se provocan a causa de un mantenimiento deficiente de la herramienta eléctrica.*
  - f) **Mantener limpias y afiladas las herramientas de corte.** *Las herramientas de corte bien cuidadas con cantos afilados se bloquean con menor frecuencia y pueden manejarse de forma más sencilla.*
  - g) **Respetar estas instrucciones cuando se desee utilizar la herramienta eléctrica, los accesorios, piezas de recambio, etc. Para ello, tener en cuenta las condiciones de trabajo y la tarea a ejecutar.** *El uso de herramientas eléctricas para otros fines diferentes a los previstos puede originar situaciones peligrosas.*
  - h) **Mantener asas y empuñaduras secas, limpias y libres de aceite y grasa.** *Las asas y empuñaduras resbaladizas impiden manejar con seguridad y controlar la herramienta en situaciones inesperadas.*
- 5. Empleo y tratamiento de la herramienta eléctrica**
- a) **Cargar la batería sólo en cargadores recomendados por el fabricante.** *Existe el peligro de incendio si se utiliza un cargador, indicado sólo para un tipo concreto de baterías, para otro tipo de baterías.*
  - b) **Utilizar sólo las baterías indicadas para la herramienta eléctrica en cuestión.** *El uso de otras baterías puede provocar daños y conllevar peligro de incendio.*
  - c) **Mantener cualquier batería que no se esté utilizando alejada de grapas, monedas, llaves, clavos, tornillos u otros objetos metálicos pequeños que podrían provocar un puenteo de los contactos.** *Un cortocircuito entre los contactos de la batería puede tener como consecuencia quemaduras o provocar fuego.*

- d) **Si se utiliza incorrectamente podría salir líquido de la batería. Evitar el contacto con el líquido. En caso de tocar accidentalmente el líquido, lavar la zona afectada con agua. Si el líquido penetra en los ojos, acudir a un médico. El líquido de la batería puede provocar irritaciones en la piel o quemaduras.**
- e) **No utilizar BATERÍAS ni herramientas que estén dañadas o modificadas. Las baterías dañadas o modificadas pueden manifestar comportamientos impredecibles que pueden dar lugar a incendio, EXPLOSIÓN o riesgo de lesión.**
- f) **No exponer una BATERÍA ni herramienta al fuego o a una temperatura excesiva. La exposición al fuego o a una temperatura superior a los 266°F (130°C) puede provocar una explosión.**
- g) **Seguir todas las instrucciones de carga y no cargar la BATERÍA ni herramienta fuera del margen de temperatura especificado en las instrucciones. Una carga inadecuada o a temperaturas fuera del margen especificado puede dañar la batería e incrementar el riesgo de incendio.**
- 6. Servicio**
- a) **Sólo especialistas cualificados deben reparar la herramienta eléctrica, empleando para ello únicamente piezas de repuesto originales. Esta forma de proceder garantiza la seguridad de la herramienta eléctrica.**
- b) **No reparar nunca BATERÍAS dañadas. La reparación de las BATERÍAS dañadas solo la puede llevar a cabo el fabricante o un distribuidor autorizado.**
- 1.) PARA TODOS LOS APARATOS DE JARDINERÍA QUE FUNCIONAN CON BATERÍA:**
- No cargar el aparato bajo la lluvia ni en lugares húmedos.
  - No utilizar aparatos que funcionan con batería bajo la lluvia. Quitar o desconectar siempre la batería antes de realizar ajustes, limpiar, reparar o transportar el aparato de jardín.
- 2.) PARA TODOS LOS APARATOS QUE FUNCIONAN CON UNA BATERÍA DESMONTABLE:**
- Usar solo el siguiente tipo y tamaño de batería:  
18V 1.5Ah PXC batería Li-Ion  
18V 2.0Ah PXC batería Li-Ion  
18V 2.5Ah PXC batería Li-Ion  
18V 3.0Ah PXC batería Li-Ion  
18V 4.0Ah PXC batería Li-Ion  
18V 3.0Ah PXC Plus batería Li-Ion  
18V 4.0Ah PXC Plus batería Li-Ion  
18V 5.2Ah PXC Plus batería Li-Ion  
18V 4.0Ah/6.0Ah PXC Plus batería Li-Ion  
18V 5.0Ah/8.0Ah PXC Plus batería Li-Ion
  - No tirar la batería al fuego. La célula puede explotar. Consultar la legislación local en materia de eliminación de residuos.
  - No abrir ni cortar la batería. El electrolito que sale de la misma es corrosivo y puede lesionar los ojos o la piel. Puede ser tóxico si se ingiere.
  - Tener cuidado al manipular la batería para no cortocircuitarla con materiales conductivos como anillos, pulseras o llaves. La batería o el conductor se puede sobrecalentar y provocar quemaduras.
- 3.) EVITAR UN ARRANQUE INVOLUNTARIO: NO INSERTAR LA BATERÍA MIENTRAS SE TIENE EL DEDO EN EL INTERRUPTOR. ASEGURARSE DE QUE EL INTERRUPTOR ESTÉ EN OFF CUANDO SE INSERTE LA BATERÍA. NORMAS ADICIONALES DE SEGURIDAD PARA CORTASETOS**
- Mantener los dispositivos de protección en su lugar y en buen estado.
  - Mantener las manos y los pies fuera de la zona de corte.
- ADVERTENCIAS GENERALES DE SEGURIDAD PARA LA BATERÍA**
- Desechar la batería usada a tiempo y de manera adecuada. A la hora de desechar células o baterías secundarias, mantener separadas las células o baterías de distintos sistemas electromecánicos.
  - Mantener la batería fuera del alcance de los niños y en el embalaje original hasta que estén listas para su uso.
  - No meterse nunca la batería en la boca. De ingerirse, ponerse de inmediato en contacto con el centro de toxicología local.
  - CUIDADO: la batería que se utiliza en este dispositivo puede conllevar riesgo de incendio o quemadura química si se abusa de ella. Sustituir la batería exclusivamente por otra de la marca Einhell o la marca recomendada. El uso de cualquier otra batería puede conllevar riesgo de incendio o explosión.
  - ADVERTENCIA: no utilizar una batería o aparato que esté visiblemente dañado.

- **ADVERTENCIA:** no modificar ni intentar reparar el aparato ni la batería.
  - **LAS BATERÍAS SE TIENEN QUE RECICLAR.**
  - No cortocircuitar la célula ni la batería. No guardar las células ni baterías de manera descuidada en una caja o en un cajón donde se puedan cortocircuitar entre sí o por materiales conductivos.
  - No someter las células o baterías a choques mecánicos.
  - Mantener las células y baterías limpias y secas. Si se ensucian, frotarlas con un paño limpio y seco.
  - No mantener las células o baterías secundarias en carga si no se usan.
  - Mantener las células y baterías originales. No utilizar un cargador que no se haya facilitado específicamente para usar con el equipo. Las células y baterías secundarias se tienen que cargar antes de su uso. Utilizar siempre el cargador correcto y consultar las instrucciones del fabricante o el manual del equipo para saber cómo cargar correctamente.
  - Siempre que sea posible, quitar la batería del equipo cuando no se use.
  - Evitar un arranque inesperado. Asegurarse de que el interruptor se encuentre en la posición OFF antes de conectar la batería, alzarla o transportarla. El transporte de aparatos con el dedo en el interruptor o la activación de aparatos energéticos con el interruptor en ON puede provocar accidentes.
  - Desconectar la batería del aparato antes de realizar ajustes, cambiar accesorios o almacenar el aparato. Este tipo de medidas de seguridad preventivas sirve para reducir el riesgo de poner en marcha el aparato de manera involuntaria.
  - En caso de uso excesivo, es posible que algo de líquido gotee de la batería. Evitar el contacto. En caso de contacto accidental, lavar con agua. Si el líquido entra en contacto con los ojos, buscar atención médica. El líquido que sale de la batería puede causar irritación o quemaduras.
  - Encargar el servicio exclusivamente a una persona cualificada que use solo piezas de repuesto idénticas. Solo así se podrá mantener la seguridad del producto.
  - **Proteger la batería de la humedad, la lluvia y la humedad ambiental elevada.** La humedad, la lluvia y la humedad ambiental elevada pueden provocar daños peligrosos en las celdas. No cargar ni trabajar nunca con baterías que hayan estado expuestas a la humedad, la lluvia o humedad ambiental elevada, ¡reemplazarlas de inmediato!
  - Si el aparato está dotado de una batería extraíble, por motivos de seguridad será preciso extraerla una vez finalizado el trabajo.
- INSTRUCCIONES DE SEGURIDAD IMPORTANTES PARA EL CARGADOR**
- ADVERTENCIA:** Este producto puede contener plomo, ftalato u otros productos químicos que según el Estado de California pueden provocar cáncer, malformaciones en el feto u otros daños reproductivos. Lavarse las manos después de utilizarlo.
- Protección contra influencias ambientales**
1. Ponerse ropa de trabajo adecuada. Ponerse gafas de protección.
  2. **Proteger el aparato y el cargador de la humedad y la lluvia.** Éstas podrían provocar daños peligrosos en las celdas.
  3. No utilizar el aparato y el cargador cerca de vapores y líquidos inflamables.
  4. Utilizar el cargador y el aparato a batería sólo si están secos y a una temperatura ambiente de 10-40 °C.
  5. No guardar la batería en lugares que puedan alcanzar una temperatura superior a 40 °C, especialmente no en un vehículo aparcado al sol.
  6. **¡Proteger las baterías contra un sobrecalentamiento!** La sobrecarga, carga excesiva o la radiación solar conducen a un sobrecalentamiento y al daño de las celdas. No cargar ni trabajar en ningún caso con baterías que se hayan sobrecalentado. Sustituirlas inmediatamente.
  7. **Almacenamiento de baterías, cargadores y del aparato.** Guardar siempre el cargador y el aparato en habitaciones secas con una temperatura ambiente de 10-40°C. Guardar la batería de iones de litio en un lugar fresco y seco a 10-20°C. ¡Proteger de la humedad ambiental y de la radiación solar! Guardar las baterías únicamente cuando estén cargadas (mín. al 40%).
  8. Evitar que la batería de iones de litio se hielan. Deshacerse de las baterías que hayan estado guardadas a 0°C durante más de 60 minutos.
  9. Llevar cuidado con la carga electrostática al manipular baterías: las descargas electrostáticas provocan daños en el sistema electrónico de protección y las celdas de la batería.

¡Evitar por ello la carga electrostática y no tocar nunca los polos de la batería!

#### Instrucciones de seguridad para cortasetos de altura

##### Advertencias de seguridad del cortasetos de altura:

- **No utilizar el cortasetos de altura cuando haga mal tiempo, especialmente si hay riesgo de relámpagos.** Así se reduce el riesgo de ser alcanzado por un rayo.
- **Para reducir el riesgo de electrocutarse, no utilizar nunca la herramienta en las inmediaciones de cables eléctricos.** El contacto o el uso en las inmediaciones de cables eléctricos puede provocar lesiones graves o una electrocución con consecuencias fatales. OBSERVACIÓN: en la advertencia de seguridad anterior se puede utilizar un lenguaje alternativo que se adapte a los requisitos locales.
- **Utilizar siempre las dos manos a la hora de operar el cortasetos de altura.** Sujetar el cortasetos de altura con las dos manos para evitar una pérdida de control.
- **Llevar siempre casco cuando se utilice el cortasetos a alturas por encima de la cabeza.** Los escombros que van cayendo pueden provocar lesiones personales graves.

**ADVERTENCIA: usar solo con la empuñadura y la protección montadas adecuadamente en el cortasetos.** El uso del cortasetos sin haberse montado adecuadamente la protección ni la empuñadura suministradas puede resultar en lesiones personales graves.

##### Advertencias de seguridad para cortasetos:

- a) **Mantenga todas las partes del cuerpo alejadas de la hoja. No retire el material cortado ni sujete el material a cortar cuando las cuchillas estén en movimiento.** Las cuchillas continúan moviéndose después de que se apaga el interruptor. Un momento de distracción mientras opera el cortasetos puede resultar en lesiones personales graves.
- b) **Lleve el cortasetos por el mango delantero con la cuchilla detenida y tenga cuidado de no operar ningún interruptor de encendido.** El transporte adecuado de la podadora de setos reducirá el riesgo de puesta en marcha involuntaria y lesiones personales resultantes de las cuchillas.
- c) **Cuando transporte o almacene la podadora de arbustos, siempre coloque la**

**cubierta de la hoja.** El manejo adecuado de la podadora de arbustos disminuirá el riesgo de encendido involuntario que resulte en lesiones personales por las hojas.

- d) **Al liberar material atascado o darle mantenimiento a la unidad, asegúrese de que todos los interruptores eléctricos estén apagados y la batería sea extraída o esté desconectada.** La operación inesperada de la podadora de arbustos mientras retira material atascado o le da servicio puede provocar lesiones personales graves.
- e) **Sostenga la herramienta eléctrica únicamente de las superficies de empuñadura aisladas, ya que la hoja de la cuchilla puede entrar en contacto con cableado oculto.** Las hojas de la cuchilla que entren en contacto con un cable que conduzca electricidad pueden hacer que las partes metálicas de la herramienta eléctrica se electrifiquen y podrían ocasionar una descarga eléctrica al operador.
- f) **Mantenga todos los cables eléctricos alejados del área de corte.** Los cables eléctricos pueden estar ocultos en arbustos y la hoja puede cortarlos accidentalmente.
- g) **No utilice la podadora de arbustos en malas condiciones del clima, particularmente cuando exista el riesgo de relámpagos.** Esto disminuye el riesgo de que sea golpeado por un rayo.

##### Información adicional de seguridad

- **Antes de empezar a cortar setos, comprobar que no presente objetos ocultos, como por ejemplo vallas metálicas.**
- **Sujetar el cortasetos correctamente con las dos manos.**
- **Asegurarse siempre de que las empuñaduras y los dispositivos de protección estén montados antes de utilizar la herramienta eléctrica.**
- **No intentar usar una máquina incompleta o una máquina que haya sido sometida a un cambio no autorizado.**
- **Antes de limpiar el cortasetos, apagar la herramienta y retirar la batería.**
- **Comprobar regularmente que las cuchillas no presenten daños. De ser este el caso, es preciso repararlas de inmediato.**
- **No permitir nunca que los niños utilicen la herramienta eléctrica.**
- **Insertar la cuchilla en la cubierta, asegurarse de que la cuchilla no esté expuesta después de su uso.**

- **No utilizar la herramienta cuando haga mal tiempo, especialmente si hay tormenta.**

## GUARDE ESTAS INSTRUCCIONES

### Explicación de los símbolos que aparecen sobre el aparato (fig. 20):

1. ¡Aviso!
2. Llevar protección para ojos, cabeza y oídos.
3. Proteger el aparato de la lluvia o la humedad.
4. Peligro de muerte por descarga eléctrica. ¡La distancia con respecto a los cables eléctricos debe ser de como mínimo 33 ft (10 m)!
5. Leer el manual de instrucciones de uso antes de la puesta en marcha.
6. Llevar calzado resistente.
7. Tener cuidado con las piezas que se caen o salen despedidas.
8. Mantenerse alejado.
9. Llevar guantes de protección

## 2. Descripción del aparato y volumen de entrega

### 2.1 Descripción del aparato

1. Empuñadura
2. Interruptor ON/OFF
3. Bloqueo del interruptor
4. Botón de retención regulación de inclinación asidero
5. Correa de transporte con desbloqueo de seguridad
6. Soporte de la correa de transporte
7. Superficie de agarre
8. Tuerca retén
9. Tubo de prolongación
10. Unidad de bardeadora de arbustos (unidad con tubo)
11. Unidad de motor (unidad con tubo)
12. Protección para cuchilla de la bordeadora de arbustos
13. Mosquetón
14. Soporte de la correa de transporte
15. Tuerca de mariposa
16. Tornillos de montaje
17. Botón de retención regulación de inclinación carcasa del motor
18. Dispositivo de retención
19. Pulsador para indicar la capacidad de batería
20. Indicador de capacidad de batería

### 2.2 Volumen de entrega

Sirviéndose de la descripción del volumen de entrega, comprobar que el artículo esté completo. Si faltase alguna pieza, dirigirse a nuestro Service Center o a la tienda especializada más cercana en un plazo máximo de 5 días laborales tras la compra del artículo presentando un recibo de compra válido.

- Abrir el embalaje y extraer cuidadosamente el aparato.
- Retirar el material de embalaje, así como los dispositivos de seguridad del embalaje y para el transporte (si existen).
- Comprobar que el volumen de entrega esté completo.
- Comprobar que el aparato y los accesorios no presenten daños ocasionados durante el transporte.
- Si es posible, almacenar el embalaje hasta que transcurra el periodo de garantía.

### Peligro!

**¡El aparato y el material de embalaje no son un juguete! ¡No permitir que los niños jueguen con bolsas de plástico, láminas y piezas pequeñas! ¡Riesgo de ingestión y asfixia!**

- Empuñadura con tubo
- Tubo de prolongación
- Parte de tijera recortasetos con tubo y cubierta protectora
- Correa de sujeción para el hombro
- Manual de instrucción original con instrucción de seguridad

### Accesorios disponibles por separado

18V 1.5Ah PXC batería Li-Ion  
 18V 2.0Ah PXC batería Li-Ion  
 18V 2.5Ah PXC batería Li-Ion  
 18V 3.0Ah PXC batería Li-Ion  
 18V 4.0Ah PXC batería Li-Ion  
 18V 3.0Ah PXC Plus batería Li-Ion  
 18V 4.0Ah PXC Plus batería Li-Ion  
 18V 5.2Ah PXC Plus batería Li-Ion  
 18V 4.0Ah/6.0Ah PXC Plus batería Li-Ion  
 18V 5.0Ah/8.0Ah PXC Plus batería Li-Ion  
 18V PXC cargador rápido de doble Puerto  
 18V PXC cargador rápido

Comuníquese con su distribuidor local para obtener modelos más específicos de baterías y cargadores disponibles en su área. Explorar las opciones de batería y cargador en [einhell.com](http://einhell.com).




### 3. Uso adecuado

La tijera recortasetos telescópica inalámbrica ha sido diseñada para podar setos, arbustos y matorrales. ¡Cuidado! No utilizar el aparato para cortar césped.

Utilizar la máquina sólo en los casos que se indican explícitamente como de uso adecuado. Cualquier otro uso no será adecuado. En caso de uso inadecuado, el fabricante no se hace responsable de daños o lesiones de cualquier tipo; el responsable es el usuario u operario de la máquina.

Tener en consideración que nuestro aparato no está indicado para un uso comercial, industrial o en taller. No asumiremos ningún tipo de garantía cuando se utilice el aparato en zonas industriales, comerciales o talleres, así como actividades similares.

### 4. Características técnicas

Alimentación de tensión de motor: ..... 18V   
 Velocidad de corte: ..... 1400 cpm  
 Longitud de juego de cuchillas: ..... 18" (45 cm)  
 Diámetro de corte máximo: ..... 0.70" (18 mm)  
 Cabezal multi-ángulo: ..... 67.5° a 67.5°  
 Empuñadura principal multi-ángulo: ... -90°, 0°, 90°  
 Peso (solo herramienta): ..... 7 lb (3.17 kg)

#### ¡Reducir la emisión de ruido y las vibraciones al mínimo!

- Emplear sólo aparatos en perfecto estado.
- Realizar el mantenimiento del aparato y limpiarlo con regularidad.
- Adaptar el modo de trabajo al aparato.
- No sobrecargar el aparato.
- En caso necesario dejar que se compruebe el aparato.
- Apagar el aparato cuando no se esté utilizando.
- Llevar guantes.

### 5. Antes de la puesta en marcha

**¡Cuidado!** Montar la batería una vez esté completamente montado el aparato y se hayan realizado todos los ajustes. Llevar siempre puestos guantes de protección al efectuar trabajos en el aparato a fin de evitar lesiones. Desembalar todas las piezas con cuidado y comprobar que estén completas (fig. 1)

Utilizar la protección de la cuchilla (fig. 2, pos. 12)

#### 5.1 Montaje de la correa de sujeción para el hombro

(Fig. 3): Enganchar los mosquetones (pos. 13) de la correa de sujeción para el hombro (pos. 5) en el soporte de la correa (pos. 6/14).

#### 5.2 Montaje del tubo

Se puede montar la tijera recortasetos telescópica inalámbrica con o sin tubo de prolongación (fig. 2/pos. 9).

#### 5.3 Montaje del tubo de prolongación

1. (Fig. 4-5) Asegurarse de que los tornillos de montaje (pos. 16) se encuentren en el mismo lado e introducir el tubo con la carcasa del motor/tijera recortasetos (pos. 10) en el tubo de prolongación (pos. 9). Atornillar los dos tubos con la tuerca de enclavamiento (pos. 8).
2. (Fig. 6) Introducir el tubo de prolongación (pos. 9) en el tubo con el elemento de mando (pos. 11) y enroscar los dos tubos con la tuerca de enclavamiento (pos. 8). La tijera recortasetos telescópica inalámbrica está completamente enroscada (fig. 1). El desmontaje se lleva a cabo realizando la misma secuencia pero en sentido contrario.

#### 5.4 Montaje sin tubo de prolongación

Introducir el tubo con carcasa del moto /tijera recortasetos (fig. 2/ pos. 10) en el tubo con el elemento de mando (fig. 2/ pos. 11) y enroscar los dos tubos con la tuerca de enclavamiento (fig. 2/ pos. 8). La tijera recortasetos telescópica inalámbrica está completamente atornillada. El desmontaje se lleva a cabo realizando la misma secuencia pero en sentido contrario.

### 5.5 Cómo colocar la correa de sujeción para el hombro

**¡Aviso!** Llevar siempre una correa de sujeción para el hombro al trabajar con la sierra. Apagar siempre el aparato antes de quitarse la correa de sujeción para el hombro. Existe peligro de sufrir lesiones.

1. Colocarse la correa de sujeción (fig. 7/pos. 5) sobre el hombro.
2. Ajustar la longitud de la correa de forma que la sujeción de la misma se halle a la altura de la cadera (fig. 7).
3. La correa de sujeción para el hombro está dotada de una hebilla. Si se necesita dejar rápidamente el aparato, presionar los ganchos (fig. 8).
4. Para cambiar la posición de la correa en el aparato, aflojar la tuerca de mariposa (fig. 3/ pos. 15) en sentido contrario a las agujas del reloj y mover el soporte de la correa a la posición deseada en el tubo. A continuación, volver a apretar la tuerca de mariposa (fig. 3/ pos. 15) en el sentido de las agujas del reloj.

### 5.6 Ajuste de la inclinación de la carcasa del motor/tijera recortasetos (fig. 9)

Pulsar el botón de retención (pos. 17) y ajustar la inclinación del cabezal de la tijera recortasetos (pos. 10) en 7 posiciones.

### 5.7 Cómo girar la empuñadura (fig. 10)

Presionar los dos botones de retención (pos. 4) y girar la empuñadura (pos. 1) 90° a la izquierda o 90° a la derecha.

### 5.8 Montaje de la batería (fig. 11)

Presionar el dispositivo de retención (18) de la batería y deslizarla en el alojamiento previsto para ello. En cuanto la batería se encuentre en la posición de la figura 11, asegurarse de que el dispositivo de retención enclave. Para desmontar la batería, seguir los mismos pasos en orden inverso.

## 6. Manejo

Respetar las disposiciones legales vigentes sobre la emisión de ruidos en el lugar de uso (pueden variar según el lugar).

**¡Cuidado!** Llevar siempre una correa de sujeción para el hombro al trabajar con la sierra. Apagar siempre el aparato antes de quitarse la correa de sujeción para el hombro. Existe peligro de sufrir lesiones.

Poner la correa de sujeción para el hombro como se ha descrito antes, montar el juego de montaje deseado y ajustar el aparato a las necesidades de uno mismo.

### Conexión/desconexión

#### Conexión (fig. 13)

- Sostener el aparato con ambas manos por el mango y la empuñadura
- Pulsar y mantener pulsado el botón de bloqueo (pos. 3).
- Conectar el aparato pulsando el interruptor ON/OFF (Pos. 2). Ya se puede volver a soltar el botón de bloqueo de conexión.

#### Desconexión

Soltar el interruptor ON/OFF (fig. 13/pos. 2).

### 6.1 Cómo cargar la batería de litio (no incluido en el volumen de entrega)

Las instrucciones correspondientes se encuentran en el manual de instrucciones original del cargador.

### 6.2 Indicador de capacidad de batería (fig. 12/pos. 20)

Pulsar el interruptor para acceder al indicador de capacidad de la batería (19). El indicador de capacidad de batería (20) le indica el estado de carga de la batería sirviéndose de 3 LEDs.

#### Los 3 LED están iluminados:

La batería está completamente cargada.

#### 2 o 1 LED están iluminados

La batería dispone de suficiente carga residual.

#### 1 LED parpadea:

La batería está vacía, es preciso cargarla.

**Si todos los LED parpadean:**

La temperatura de la batería es demasiado baja. Quitar la batería del aparato y dejarla durante un día a temperatura ambiente. Si vuelve a aparecer el fallo, la batería se ha descargado completamente y está defectuosa. Quitar la batería del aparato. Está prohibido emplear o cargar una batería defectuosa.

## 7. Cómo trabajar con el juego de montaje para la bordeadora de arbustos

- Comprobar el funcionamiento de las cuchillas de corte. Las cuchillas de corte bilateral marcan contrapuestas, garantizando una elevada potencia de corte y un funcionamiento silencioso.
- Asegurarse de estar colocado de manera segura y sujetar el aparato con ambas manos y manteniéndolo a una distancia prudente con respecto del cuerpo. Antes de encender el aparato asegurarse de que no está tocando ningún objeto.

**Instrucciones relativas al trabajo**

- Además de para setos, también se puede emplear para recortar matorrales y arbustos.
- Para alcanzar un óptimo rendimiento de corte, la bordeadora de arbustos se ha de utilizar de forma que los dientes de las cuchillas se mantengan a un ángulo aprox. de 15° respecto al seto (véase fig. 14).
- Las cuchillas contrapuestas de corte bilateral permiten cortar en ambas direcciones (véase fig 15).
- Para alcanzar una altura uniforme del seto, se recomienda tensar un hilo que sirva de referencia a lo largo del borde del seto. Se cortarán las ramas que sobresalgan (véase fig. 16-17).
- Los laterales de un seto se recortarán con movimientos en forma de arco desde abajo hacia arriba (véase fig. 18).

## 8. Mantenimiento y limpieza

**Peligro!**

Desenchufar la batería antes de realizar trabajos de limpieza.

**8.1 Limpieza**

- Limpiar con regularidad el mecanismo tensor mediante aire comprimido o con un cepillo. No utilizar ningún tipo de herramientas para retirar las impurezas.
- Mantener las empuñaduras limpias de aceite para sujetar siempre con un agarre seguro.
- Bajo ningún pretexto se sumergirá el aparato ni en agua ni en otro tipo de líquidos.
- Quitar la suciedad en las cubiertas de protección con ayuda de un cepillo.
- Evitar al máximo posible que la suciedad y el polvo se acumulen en los dispositivos de seguridad, las rendijas de ventilación y la carcasa del motor. Frotar el aparato con un paño limpio o limpiarlo con aire comprimido manteniendo la presión baja.
- Se recomienda limpiar el aparato inmediatamente después de cada uso.
- Limpiar el aparato de forma periódica con un paño húmedo y un poco de jabón blando. No utilizar productos de limpieza o disolventes; ya que podrían deteriorar las piezas de plástico del aparato. Es preciso evitar que entre agua en el interior del aparato. Si entra agua en el aparato eléctrico, existirá mayor riesgo de que se produzca una descarga eléctrica.

**8.2 Mantenimiento**

Para obtener en todo momento un óptimo rendimiento, limpiar y lubricar las cuchillas con regularidad. Eliminar con un cepillo los restos acumulados y aplicar una fina película de aceite (fig. 19).

## 9. Eliminación y reciclaje

El aparato está protegido por un embalaje para evitar daños producidos por el transporte. Este embalaje es materia prima y, por eso, se puede volver a utilizar o llevar a un punto de reciclaje. El aparato y sus accesorios están compuestos de diversos materiales, como, p. ej., metal y plástico. Los aparatos defectuosos no deben tirarse a la basura doméstica. Para su eliminación adecuada, el aparato debe entregarse a una entidad recolectora prevista para ello. En caso de no conocer ninguna, será preciso informarse en el organismo responsable del municipio.

## 10. Almacenamiento

Guardar el aparato y sus accesorios en un lugar oscuro, seco, protegido de las heladas e inaccesible para los niños. La temperatura de almacenamiento óptima se encuentra entre los 41°F y 86°F (5 y 30 °C). Guardar la herramienta eléctrica en su embalaje original.

Sólo está permitido copiar la documentación y documentos anexos del producto, o extractos de los mismos, con autorización expresa de Einhell Germany AG.

Nos reservamos el derecho a realizar modificaciones técnicas

## 11. Plan para localización de averías

### ¡Peligro!

Antes de la localización de averías es preciso apagar el aparato y quitar la batería.

En la siguiente tabla se describen posibles fallos y se ofrecen soluciones para su eliminación. Si no se puede localizar ni subsanar el problema, será preciso ponerse en contacto con su taller de asistencia técnica.

Avería	Posibles causas	Solución
El aparato no funciona	<ul style="list-style-type: none"><li>- Batería vacía</li><li>- Batería puesta de forma incorrecta</li></ul>	<ul style="list-style-type: none"><li>- Cargar la batería</li><li>- Quitar la batería y volverla a meter</li></ul>
El aparato trabaja de manera intermitente	<ul style="list-style-type: none"><li>- Contacto flojo externo</li><li>- Contacto flojo interno</li><li>- Interruptor ON/OFF defectuoso</li></ul>	<ul style="list-style-type: none"><li>- Buscar un taller especializado</li><li>- Buscar un taller especializado</li><li>- Buscar un taller especializado</li></ul>

En caso de que el aparato no funcione a pesar de haber reparado los fallos y de haber tensión, ponerse en contacto con el servicio de atención al cliente, véase apartado 8.3.



A series of 20 horizontal lines for writing, starting from the line where the pencil is positioned and extending down the page.



A series of horizontal lines for writing, starting from the top right and extending down to the bottom of the page.







A series of 20 horizontal lines for writing, starting from the line where the pencil is positioned and extending down the page.



[www.Einhell.com](http://www.Einhell.com)

EH 11/2022 (01)