

GARDENLINE®

Self Propelled Petrol Lawn Mower User Guide



After Sales Support

Now you have purchased a Gardenline® product you can rest assured in the knowledge that as well as your 2 year parts and labour guarantee you have the added peace of mind of dedicated helplines and web support.



GARDENLINE®

Self Propelled Petrol Lawn Mower

Warranty Details

The product is guaranteed to be free from defects in workmanship and parts for a period of 24 months from the date of purchase. Defects that occur within this warranty period, under normal use and care, will be repaired, replaced or refunded at our discretion. There will be no returns accepted with products containing fuel. The benefits conferred by this warranty are in addition to all rights and remedies in respect of the product that the consumer has under the Competition and Consumer Act and similar State and Territory laws.

Our goods come with guarantees that cannot be excluded under the Australian Consumer Law. You are entitled to a replacement or refund for a major failure and for compensation for any other reasonably foreseeable loss or damage. You are also entitled to have the goods repaired or replaced if the goods fail to be acceptable quality and the failure does not amount to a major failure.

Please note: No returns to stores will be accepted with products containing fuel.

After Sales Support

Telephone: 1300 922 271
Email: service.australia@einhell.com



Contents

08	Safety Instructions
09	Layout
09	Items Supplied
10	Intended Use
10	Technical Data
11	Before starting the equipment
12	Operation
14	Cleaning, maintenance, storage and transport
15	Disposal and recycling
16	Troubleshooting

What your 2 year warranty means

Congratulations on choosing to buy a Gardenline® product. By doing so you now have the assurance and peace of mind that comes with purchasing a product made by one of Australia's leading suppliers.

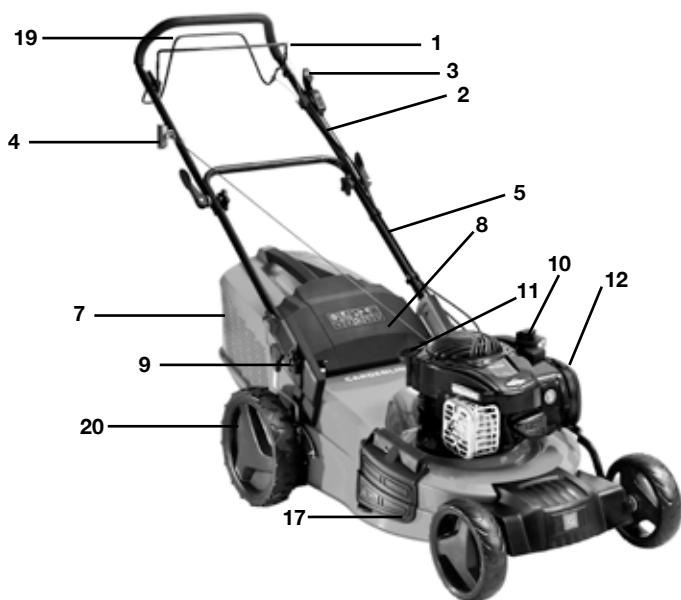
All products brought to you by Gardenline® are manufactured to the highest standards of performance and safety, and, as part of our philosophy of customer service and satisfaction, are backed by our comprehensive 2 Year Guarantee.

Please fill in and return the Guarantee Card to the address provided.

We hope you will enjoy using your purchase for many years to come.

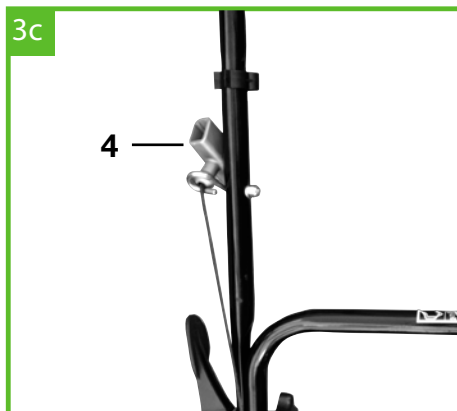
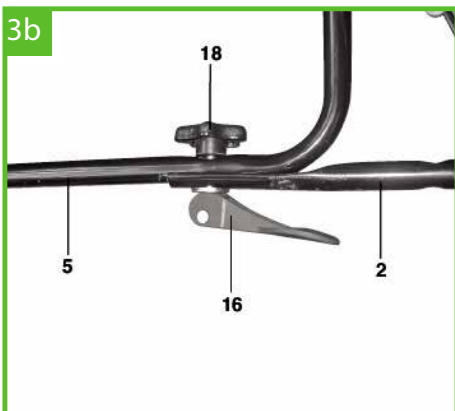
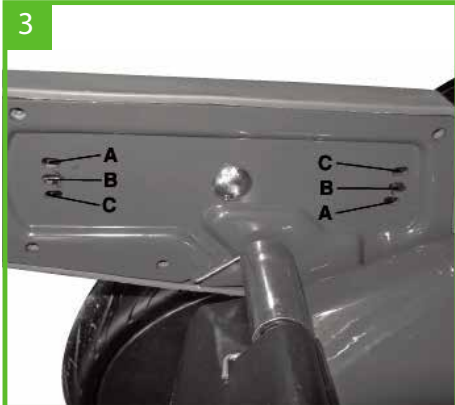


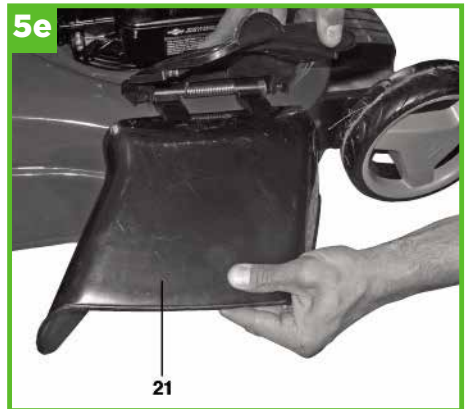
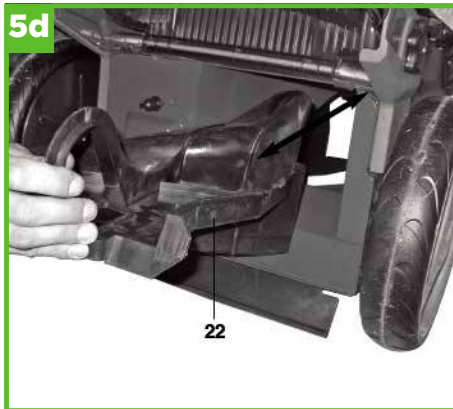
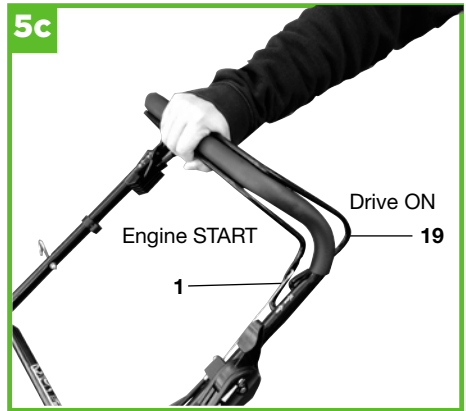
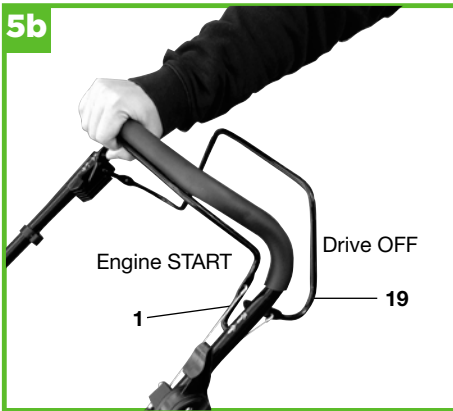
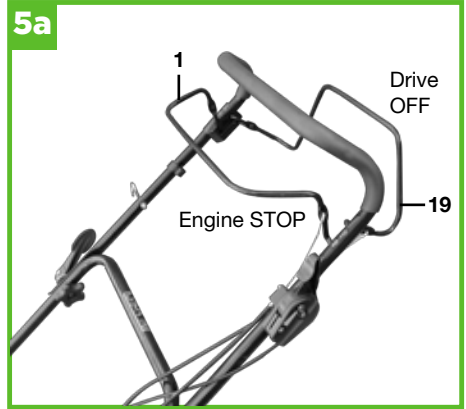
1



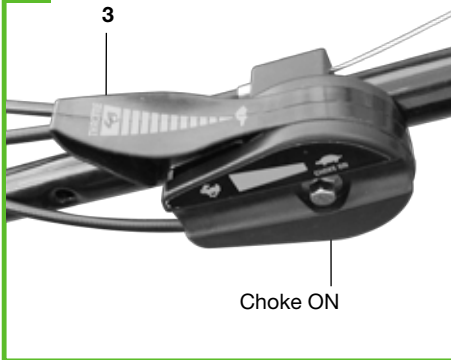
2







6



7

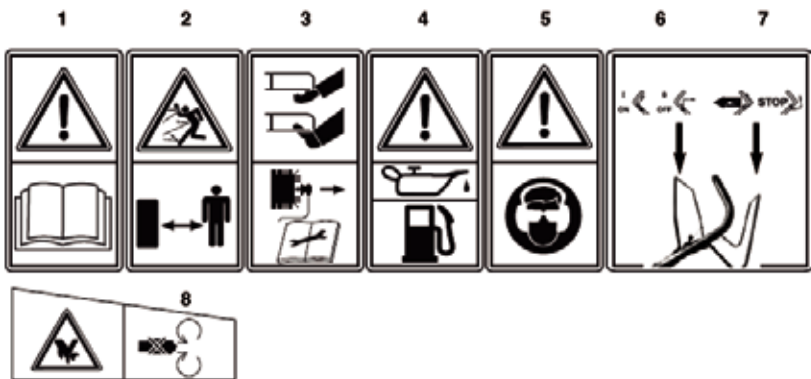


8

**Important!**

When using the equipment, a few safety precautions must be observed to avoid injuries and damage. Please read the complete operating instructions and safety regulations with due care. Keep this manual in a safe place, so that the information is available at all times. If you give the equipment to any other person, hand over these operating instructions and safety regulations as well. We cannot accept any liability for damage or accidents which arise due to a failure to follow these instructions and the safety instructions.

9



Handling

1. Read the directions with due care. Familiarise yourself with the settings and proper operation of the machine.
2. Never allow children or other persons who are not familiar with the operating instructions to use the mower. Contact your local governmental agency for information regarding minimum age requirements for operating the mower.
3. Never mow in the direct vicinity of persons especially children - or animals. Always keep in mind that the operator is responsible for accidents involving other persons and/or their property.
4. If you give the equipment to any other person, give them these operating instructions as well.

Preliminary measures

1. Always wear sturdy, non-slip footwear and long trousers when mowing. Never mow barefoot or in sandals.
 2. Check the grounds on which the machine will be used and remove all objects that could be caught up and violently flung out of the chute.
 - Warning: Petrol is highly flammable! Therefore: Only store petrol in containers designed to hold petroleum-based liquids.
 - Only refuel out in the open and do not smoke during the refueling process.
 - Always refuel the lawn mower before starting the engine. Always ensure that the fuel tank cap is closed when the engine is running and when the mower is hot; also do not refuel.
 - If petrol has overflowed, do not under any circumstances attempt to start the engine. Instead, remove the machine from the affected area. Avoid starting the engine until the petrol fumes have completely evaporated.
 - For safety reasons, the petrol tank and other tank closures must be replaced if they are damaged.
 4. Replace defective mufflers.
 5. Before using the mower, visually inspect it to ensure that the blade, mounting bolts and the entire cutting apparatus are in good working order (i.e. not worn out or damaged). To prevent any imbalance, replace worn out or damaged blades and mounting bolts as a set only (if applicable).
 6. Please note that where a mower has more than one blade, the rotation of one of the blades can cause the others to rotate as well.
 7. The machine should only be operated by persons who are well informed with the way it works, and who are in reasonably good physical condition.
1. Do not let the combustion engine run in enclosed areas, as dangerous carbon monoxide gas can build up.
 2. Only mow in broad daylight or in well-lit conditions. Avoid using the machine on wet grass as far as possible.
 3. Always maintain good footing on inclines.
 4. Only operate the machine at a walking pace.
 5. For machines with wheels: Always mow across hills i.e. never straight up or straight down.
 6. A hot engine, exhaust or drive unit can burn the skin if touched. Thus, do not touch these parts unless the mower has been switched off for a while and you know that they have cooled down!
 7. Never remove any safety-related parts.
 8. Never fill the engine with petrol when it is hot or is running.
 9. Switch off the lawn mower and ensure that the blade has stopped rotating whenever the mower has to be tilted for transporting over areas other than lawns and whenever it has to be moved from or to the area you want to mow.
 10. Never use the lawn mower if the blade or safety grills are damaged, or without the attached grills, e.g. deflectors and/or grass catching devices.
 11. Do not adjust or overclock the engine speed settings.
 12. Release the engine brake before you start the engine.
 13. Start the engine with care, in accordance with the manufacturer's instructions. Make sure that your feet are far enough away from the mower blade!
 14. Do not tilt the lawn mower when you start the engine unless the mower must be raised off of the ground a little in order to start it. In the latter case, tilt the mower as little as absolutely necessary and only raise the side opposite to that of the user.
 15. Never start the engine while standing in front of the chute.
 16. Never move your hands or feet toward or under any rotating parts. Keep clear of the chute opening at all times.
 17. Never lift or carry a lawn mower with the engine running.
 18. Switch off the engine and pull the spark plug boot:
 - before you dislodge any blockages or clogs in the chute.
 - before carrying out any checks, cleaning, maintenance or other work on the lawn mower
 - if the lawn mower strikes a foreign body, examine it for signs of damage and carry out any necessary repairs before restarting and continuing to work with the mower. If the lawn mower begins to experience exceptionally strong vibrations, immediately switch it off and check it.
 19. Switch off the engine:
 - when you leave the lawn mower.
 - before you refuel.
 20. When you switch off the engine, move the speed lever to the Off position. Close the petrol stopcock.
 21. Operation of the machine at higher than normal speed can lead to an increased risk of accidents.



Maintenance and storage

1. Make sure that all nuts, bolts and screws are tightened securely and that the machine is in safe working condition.
2. Never store the mower (with petrol in the tank) inside a building in which petrol fumes could come into contact with open flames or sparks.
3. Allow the motor to cool before you put the lawn mower in an enclosed area.
4. In order to avoid fire hazards, keep the engine, exhaust and the area around the fuel tank free from grass, leaves and leaking grease (oil).
5. Routinely check the grass basket for signs of wear and impaired functionality.
6. For your own safety, replace worn or damaged parts without delay.
7. If the fuel tank should require emptying this should only be done in the open air using a petrol suction pump (available from DIY shops).

CAUTION: Read all safety regulations and instructions.

Any failures made in following the safety regulations and instructions may result in an electric shock, fire and/or serious injury.

Keep all safety regulations and instructions in a safe place for future use.

Explanation of the symbols on the machine (fig. 9):

1. Read the operating instructions
2. Important! Danger from catapulted parts. Keep a safe distance.
3. Important! Switch off the engine and pull the spark plug boot before doing any maintenance, repair, cleaning or adjustment work.
4. Fill with oil and fuel before starting the mower.
5. Caution! Wear ear protection and safety goggles.
6. Engine start/stop lever (I=Engine on; 0=Engine off)
7. Drive lever (clutch lever)
8. Risk of cut injuries. Caution: rotating cutters.

Layout

2

Fig 1,2

1. Engine start/stop lever – engine brake
2. Top push bar
3. Throttle lever
4. Starter cable
5. Lower push bar
6. Filling level indicator debris bag
7. Debris bag
8. Ejector flap
9. Cutting height adjustment

10. Tank filler cap
11. Oil filler cap
12. Primer
13. Cable tie
14. Spark plug wrench
15. 2 x square head screws for top push bar
16. 2 screws for upper push bar with high speed clamping function
17. Side ejector cover
18. 4 x star nuts for push bar
19. Drive lever (clutch lever)
20. Drive wheel (left and right)
21. Side ejector adaptor
22. Mulching adaptor
23. Cover for lower push bar
24. Mulching blade

Items Supplied

3

Please check that the article is complete as specified in the scope of delivery. If parts are missing, please contact our service center at the latest within 5 work days after purchasing the article and upon presentation of a valid bill of purchase. Also, refer to the warranty table in the warranty provisions at the end of the operating instructions.

- Open the packaging and take out the equipment with care.
- Remove the packaging material and any packaging and/or transportation braces (if available).
- Check to see if all items are supplied.
- Inspect the equipment and accessories for transport damage.
- If possible, please keep the packaging until the end of the guarantee period.

IMPORTANT

The equipment and packaging material are not toys. Do not let children play with plastic bags, foils or small parts.

- Petrol lawn mower
- Upper push bar and lower push bar
- Side ejector adaptor
- Mulching adaptor
- Debris bag (two-piece)
- Cover for the lower push bar (2x)
- Spark plug wrench
- Star nut (4x)
- Quick-tightening screw (2x)
- Square head screw (2x)
- Cable clip (2x)
- Petrol service manual
- Original operating instructions
- Mulching blade



Carefully lift the lawn mower out of the transport box. Ask a second person for help.

AFTER SALES SUPPORT



1300 922 271



service.australia@einhell.com

The equipment may only be used for the tasks it is designed to handle. Any other use is deemed to be a case of misuse. The user/operator and not the manufacturer will be liable for any damage or injuries of any kind caused as a result of this.

The petrol lawn mower is intended for private use i.e. for use in home and gardening environments.

Private use of the lawn mower refers an annual operating time generally not exceeding that of 50 hours, during which time the machine is primarily used to maintain small-scale, residential lawns and home/hobby gardens. Public facilities, sporting halls, and agricultural/forestry applications are excluded.

Please note that our equipment has not been designed for use in commercial, trade or industrial applications. Our warranty will be voided if the machine is used in commercial, trade or industrial businesses or for equivalent purposes.

The operating instructions as supplied by the manufacturer must be kept and referred to in order to ensure that the lawn mower is properly used and maintained. The instructions contain valuable information on operating, maintenance and servicing conditions.

Important! Due to the high risk of bodily injury to the user, the lawn mower may not be used to trim bushes, hedges or shrubs, to cut scaling vegetation, planted roofs, or balcony-grown grass, to clean (suck up) dirt and debris off walkways, or to chop up tree or hedge clippings. Moreover, the lawn mower may not be used as a power cultivator to level out high areas such as molehills.

For safety reasons, the lawn mower may not be used as a drive unit for other work tools or toolkits of any kind.

Note:

The enclosed manual from Briggs & Stratton provides detailed technical data on the engine!

Engine type:	Single cylinder four-stroke engine, 140 cc 2.0 kW / 2.7 hp
No load speed:	3000 rpm
Fuel Type:	Unleaded
Cutting height adjustment:	central, (30-75 mm)
Cutting width:	480 mm
Weight:	38 kg

Sound

L_{WA} sound power level	86 dB(A)
K_{WA} uncertainty	3 dB

Wear ear-muffs.

The impact of noise can cause damage to hearing.

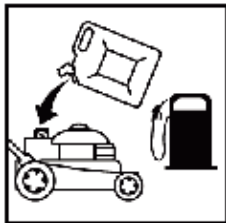


Before starting the equipment 6

Oil Check:



Check the level in the tank:



Spark plug type:

Champion - RC12YC

Maintenance Intervals

Equipment purchased on (date): _____

	Internal	Performed (year)											
		20__	20__	20__	20__	20__	20__	20__	20__	20__	20__	20__	20__
Change the oil	Important: The enclosed engine manual from Briggs & Stratton provides maintenance information and maintenance interval information on the engine.	<input type="checkbox"/>	<input type="checkbox"/>	<input type="checkbox"/>	<input type="checkbox"/>	<input type="checkbox"/>	<input type="checkbox"/>	<input type="checkbox"/>	<input type="checkbox"/>	<input type="checkbox"/>	<input type="checkbox"/>	<input type="checkbox"/>	<input type="checkbox"/>
Clean/replace the air filter		<input type="checkbox"/>	<input type="checkbox"/>	<input type="checkbox"/>	<input type="checkbox"/>	<input type="checkbox"/>	<input type="checkbox"/>	<input type="checkbox"/>	<input type="checkbox"/>	<input type="checkbox"/>	<input type="checkbox"/>	<input type="checkbox"/>	<input type="checkbox"/>
Replace the spark plug		<input type="checkbox"/>	<input type="checkbox"/>	<input type="checkbox"/>	<input type="checkbox"/>	<input type="checkbox"/>	<input type="checkbox"/>	<input type="checkbox"/>	<input type="checkbox"/>	<input type="checkbox"/>	<input type="checkbox"/>	<input type="checkbox"/>	<input type="checkbox"/>

Troubleshooting:

Fault/problem	Remedy
Motor does not start	- Refuel - Open the petrol stopcock (if applicable) - Push brake lever - Set the throttle lever to the correct position (if applicable) - Replace spark plug
Cutting/engine performance drops	- Raise the cutting height - Clean the ejector chute - Sharpen / replace the blade (customer service center) - Grass box is very dirty
Grass box does not fill up optimally	- Adjust the cutting height - Leave the lawn to dry - Sharpen / replace the blade (customer service center)
Drive does not work (if applicable)	- Readjust the Bowden wire - V-belt slipped/torn - Gear unit defective (customer service center)



6.1 Assembling the components

Some parts of the mower come disassembled. For quick and easy assembly, read and follow the instructions below.

Important! You will need the following additional tools (not supplied) for assembly, and also for maintenance work:

- A flat oil drip tray (for changing the oil)
- A 1 liter measuring jug (oil/petrol resistant)
- A petrol can
- A funnel (suitable for the tank's petrol filler neck)
- Household wipes (to wipe up oil/petrol residue; dispose of these at a filling station)
- A petrol suction pump (plastic, available from DIY stores)
- An oil can with hand pump (available from DIY stores)

Assembly

1. Affix the lower push bar (Fig. 3a/Item 5) to the mower housing and set the desired working height. 3 different working heights are available. Each peg on the lower push bar can be inserted into a hole situated directly opposite to it, on the mower housing, for example A-A (Fig. 3). The lower push bar must be equally adjusted on both sides. Now affix the cover (Fig. 3a/Item 23) and attach the push bar (5) using the square head screws (15) and the star screws (18) as shown in Figure 3a.
2. Fasten the top push bar to the bottom push bar using a screw (Fig. 3b/Item 16) and a star screw (Fig. 3b/Item 18) on each side. Make sure that the lobes of the screws are folded towards the inside so that the high speed clamping function remains operational.
3. Insert the grip of the starter cord (Fig. 3c/Item 4) into the hook provided for that purpose as shown in Figure 3c.
4. Fasten the cords to the push bar with the supplied cable tie (Fig. 3d/Item 13).
5. The debris bag should be assembled as shown in Figure 3e. For this, insert the upper lugs of the debris bag carefully into the openings on the lower debris bag.
6. Lift the ejector flap (Fig. 4 / Item 8) with one hand and hook in the grass bag (Fig. 4/Item 7) as shown in Figure 4

6.2 Setting the cutting height.

Important! Adjust the cutting height only when the engine is switched off and the plug boot has been pulled.

- Before you begin to mow, check to ensure that the blade is not blunt and that none of the fasteners are damaged. To prevent any imbalance, replace blunt and/or damaged blades as a set only (if applicable). To carry out this check, first switch off the engine and pull the spark plug boot.
- The cutting height is centrally adjusted with the cutting height adjuster lever (Fig. 7/Item 9). Up to 5 different cutting heights can be selected.
- Pull the adjuster lever out and select the desired cutting height. The lever snaps into the desired position.

Operation

7

Important! The engine does not come with oil in it. Add 470 ml of engine oil before starting the engine the first time. The engine cannot be started without sufficient oil. Overfilling the oil will destroy the engine. Before starting the engine, fill in petrol as this is also not supplied upon delivery.

Before you start mowing, you should run through this operation several times in order to ensure that the machine is working properly. Whenever you need to perform any kind of adjustment and/or repair work on your lawn mower, wait until the blade has come to a complete stop. Always switch off the engine before carrying out any adjustments, maintenance or repairs.

In order to avoid any unintentional start-ups of the lawn mower, it comes equipped with an engine brake (Fig.1/ Item 1).

7.1 Operating the Lawn Mower

1. Before starting the engine, check the oil level on the dip stick by opening the oil filler cap (Fig. 1/ Item 11) and top up if required.
2. Fill the tank with petrol when it is empty, using funnel and measuring vessel. Make sure that the petrol is clean. **Note:** Use only unleaded petrol as fuel. **Warning:** Never use more than one safety petrol can. Do not smoke when refuelling. Switch off the engine before refuelling and allow the engine to cool down for a few minutes.
3. **Important!** Before you start the engine, move the Engine Start/ Stop lever (Fig. 5b/ Item 1) several times to be sure that the stop cable is properly working. To start the engine, pull the throttle lever (Fig. 6/ Item 3) all the way to the 'Choke setting' (Fig. 6). Push the primer (Fig. 1/Item 12) three times. Pull the Engine Start/ Stop lever (Fig. 5b/Item 1) in the 'Engine START' position as shown in Fig. 5b. Make sure the drive lever (Fig. 5b / Item 19) is in the 'Drive OFF' position as shown in Fig. 5b. Then pull the starter cable (Fig. 1/ Item 4).



CAUTION: The blade begins to rotate as soon as the engine is started.

4. After starting the engine, pull the drive lever (Fig. 5c/ Item 19) into the 'Drive ON' position as shown in Fig. 5c to get the lawn mower moving.
5. Adjust the speed using the throttle lever (Fig. 6/ Item 3). Turtle = slow / Rabbit = fast. Note: The engine is factory set to a speed that is optimal for cutting and blowing grass into the basket and is designed to provide many years of use.
6. To stop the lawn mower from moving, release the drive lever (Fig. 5b/ Item 19) into the 'Drive OFF' position as shown in Fig. 5b.
7. To stop the engine, release the Engine Start/ Stop lever (Fig. 5a/ Item 1) into the 'Engine STOP' position as shown in Fig. 5a.

Mulching

When mulching, the cuttings are shredded in the enclosed mower housing and then spread back onto the lawn. It is not necessary to gather and dispose of the grass.

To use the mulching function, mount the included mulching blade (Fig.2/Item 24), disconnect the debris bag, slide the mulching adaptor into the ejector opening (Fig. 5d/Item 22) and close the ejector opening.

Important: Mulching is only possible if the lawn is relatively short. Optimum results can be achieved only with the included mulching blade. (Fig.2/Item 24)

Side ejector

You should fit the mulching adaptor (Item 22) in order to use the side ejector. Connect the side ejector adaptor (Fig. 5e/Item 21) as shown in Figure 5e.

Debris bag

Ensure the mulching blade adapter (Fig. 5d/ Item 22) is removed from the lawn mower when using the debris bag (Fig. 1/ Item 7).

The debris bag is equipped with a filling level indicator (Fig. 2/ Item 6) which opens by the air current produced by the mower. If it does not open during mowing, the debris bag is full and need to be emptied. Keep the holes under the flap clean and the lawn mower may not be used to mow inclines whose gradient exceeds 15 degrees. direction on slopes and inclines. For safety reasons, permeable to ensure the filling level indicator works properly.

7.2 Tips for proper mowing

1. Never open the chute flap when the debris bag has been detached and the engine is still running. Always carefully fasten the chute flap and debris bag. Switch off the engine before emptying the debris bag.
2. Always ensure that a safe distance is maintained between the user and the mower housing.
3. Be especially careful when mowing and changing direction on slopes and inclines. For safety reasons, the lawn mower may not be used to mow inclines whose gradient exceeds 15 degrees. Use special caution when backing up and pulling the lawn mower. Always mow along the incline (Not up and down). Tripping hazard!
4. Pay attention to ensure that you do not run into or over anything that could damage the mower. The lawn mower could be damaged and/or the machine could inflict bodily injury.
5. Pay special attention if you are mowing directly next to a street or are close by one (traffic). Always keep the grass chute pointed away from the street.
6. Avoid mowing in places where the wheels have trouble gripping or mowing is unsafe in any other way. Before you back up, ensure that nobody is standing behind you (especially little children, who are more difficult to see).
7. When mowing over thick, high grass, select the highest cutting level and mow at a slower speed. Before you remove any grass or blockages of any kind, switch off the engine and pull the plug boot.

7.3 Mowing

Only use a sharp blade that is in good condition. This will prevent the grass blades from fraying and the lawn from turning yellow.

Try to mow in straight lines for a nice, clean look. Inso doing, the mowing swaths should always overlap each other by a few centimeters in order to avoid bare strips.

Keep the underside of the mower housing clean and remove grass build-up. Deposits not only make it more difficult to start the mower; they decrease the quality of the cut and make it harder for the machine to bag the grass. Always mow along inclines (not up and down). Slightly turning the front wheels up the hill while mowing will prevent the mower from sliding out of the straight line. Select the cutting height according to the length of the grass. If the lawn has grown quite a bit, mow over it several times so that no more than 4 cm of grass are cut at one time.



Switch off the engine before doing any checks on the blade. Keep in mind that the blade continues to rotate for a few seconds after the engine has been switched off. Never attempt to manually stop the blade.

Regularly check to see if the blade is securely attached, is in good condition and is sharp. If the contrary is the case, sharpen the blade or replace it. In the event that the blade strikes an object, immediately switch off the lawn mower and wait for the blade to come to a complete stop. Then inspect the condition of the blade and the blade mount. Replace any parts that are damaged.

7.4 Emptying the debris bag

As soon as grass clippings start to trail the lawn mower, it is time to empty the debris bag. **Important!** Before taking off the debris bag, switch off the engine and wait until the blade has come to a stop.

To take off the debris bag, use one hand to lift up the chute flap and the other to grab onto the debris bag handle (Fig. 4). Remove the debris bag. For safety reasons, the chute flap automatically falls down after removing the debris bag and closes off the rear chute opening.

If any grass remains in the opening, it will be easier to restart the engine if you pull the mower back approx. 1 meter.

Do not use your hands or feet to remove clippings in or on the mower housing, but instead use suitable tools such as a brush or a hand broom.

In order to ensure that the majority of grass clippings are picked up, the inside of both the debris bag and especially the air grill must be cleaned after each use.

Reattach the debris bag only when the engine is switched off and the blade is stopped.

Using one hand, lift up the chute flap, while grabbing onto the debris bag handle with the other. Hang in the debris bag from the top.

7.5 After mowing

1. Allow the engine to cool before you put the lawn mower in an enclosed area.
2. Remove grass, foliage, grease and oil before storing the mower. Do not place any objects on top of the mower.
3. Check all the screws and nuts once more before you start to use the lawn mower again. Tighten any loose screws.
4. Also be sure to empty the debris bag.
5. Pull the spark plug boot to prevent unauthorised use.

6. Ensure that you do not park the mower next to any source of danger. Petrol fumes can lead to explosions.
7. Only original parts or parts approved by the manufacturer may be used for repairs (see address on the warranty certificate).
8. If the lawn mower is not going to be used for an extended period, empty the petrol tank using a petrol suction pump.
9. Tell your children not to use the mower. It is not a toy.
10. Never place petrol near an ignition source. Always use a can that is approved to store petrol. Keep petrol away from children.
11. Oil and maintain the machine.

Cleaning, maintenance, storage and transport

8

Important: The enclosed engine manual from Briggs & Stratton provides maintenance information and maintenance interval information on the engine.

Important:

Never work on or touch conducting parts on the ignition unit with the engine running. Always pull the spark plug boot from the spark plug before starting any work of care or maintenance. Never perform any work on the machine while it is running. Any work not described in these Operating Instructions must be performed by an authorised service workshop only.

8.1 Cleaning

After each use, the mower should be thoroughly cleaned (especially the underside and blade receptacle).

Note: Before you tilt the lawnmower onto its side, empty the fuel tank completely with a petrol pump. The lawnmower must not be tilted more than 90 degrees. The simplest time to remove dirt and grass is directly after mowing. Dried residual grass and dirt could cause damage to the mowing operation. Make sure the grass ejector canal is free from residual pieces of grass and remove these if necessary. Never clean the mower with a direct jet of water or a high pressure cleaner. The motor must stay dry. Aggressive cleaning agents such as cold cleaning solvent or petroleum ether must not be used.

8.2 Maintenance

Important: The enclosed engine manual from Briggs & Stratton provides maintenance information and maintenance interval information on the engine.



Dispose of soiled maintenance material and media at the appropriate collection point

8.2.1 Wheel axles and wheel hubs

These should be lightly greased once a season. To do so, remove the wheel caps with a screwdriver and slacken the fastening screws on the wheels.

8.2.2 Blade

For safety reasons you should only ever have your blade sharpened, balanced and mounted by an authorised service workshop. For optimum results it is recommended that the blade should be inspected once a year.

Changing the blade (Fig. 8)

Only ever use original spare parts when having the blade replaced. The marking on the blade must be matched with the number given in the list of spare parts. Never have any other model of blade fitted.

Damaged blades

Should the blade, in spite of all precautions, come into contact with an obstruction, shut down the engine immediately and pull the spark plug boot. Tip the lawn mower onto its side and check the blade for damage. Damaged or bent blades must be replaced. Never attempt to bend a bent blade back to straight again. Never mow the lawn with a bent or heavily worn blade as this will cause vibrations and can lead to further damage to the lawn mower.

Important:

There is a risk of injury if you work with a damaged blade.

Resharpener the blade

The blades can be resharpened with a metal file. In order to avoid imbalance, the blade should be resharpened by an authorised service workshop.

8.2.3 Care and adjustment of the cables

Oil the cables at regular intervals and check that they move easily.

8.2.4 Inspecting the V-belt

To inspect the V-belt you must remove the V-belt cover (Fig. 8/Item D).

8.2.5 Repairs

After any repair or maintenance work, check that all safety-related parts are in place and in proper working order.

All parts which may cause injury must be kept where they are inaccessible to children or others.

Important: In accordance with product liability legislation we are not liable for any damages caused by improper repairs or the use of spare parts that are not original spare parts or parts approved by us. In

addition, we are also not liable for any damages arising from improper repairs. Such work should be performed by a customer services workshop or authorised specialist.

8.2.6 Times of use

Lawn mowers are only permitted to be used at certain times. Please comply with statutory regulations, which may vary from location to location.

8.3 Preparing the mower for long-term storage

Caution: Do not empty the petrol tank in enclosed areas, near fire or when smoking. Petrol fumes can cause explosions and fire.

1. Empty the petrol tank with a petrol suction pump.
2. Start the engine and let it run until any remaining petrol has been used up.
3. Be sure to clean the entire machine to protect the paint.
4. Store the machine in a well-ventilated place.

8.4 Preparing the mower for transportation

1. Empty the petrol tank (see item 6.3.1).
2. Always let the engine run until it has used up the remainder of petrol in the tank.
3. Empty the engine oil from the warm engine.
4. Remove the spark plug boot from the spark plug.
5. Clean the equipment.
6. Remove the start tension cable from the hook (Fig. 3c). Slacken the wing nuts and fold down the upper push bar.
7. Wedge a few layers of corrugated cardboard between the upper and lower push bars and the engine in order to prevent any chafing.

Disposal and recycling

9

The unit is supplied in packaging to prevent its being damaged in transit. This packaging is raw material and can therefore be reused or can be returned to the raw material system.

The unit and its accessories are made of various types of material, such as metal and plastic. Defective components must be disposed of as special waste. Ask your local council.



Caution: Always switch off the engine and pull the ignition cable before starting any inspection or adjustment work.

Caution: If, after making an adjustment or repair to the engine, you let it run for a few minutes, remember that the exhaust and other parts will get hot. Thus, do not touch parts that emanate heat, as these may burn you.

Important. If problems arise in connection with the engine, please refer to the enclosed manual from Briggs & Stratton.

Fault	Possible Cause	Solution
Loud while running, machine vibrates heavily	<ul style="list-style-type: none"> - Screws are loose - Blade fasteners are loose - Blade is unbalanced 	<ul style="list-style-type: none"> - Check screws - Check blade fasteners - Replace blade
Engine does not start	<ul style="list-style-type: none"> - Brake lever not pressed - Fuel tank is empty 	<ul style="list-style-type: none"> - Press brake lever - Refill with fuel
Uneven mowing results	<ul style="list-style-type: none"> - Blade is blunt - Cutting height is too low - Engine speed is too low 	<ul style="list-style-type: none"> - Sharpen the blade - Set correct height - Set lever to max.
Unsatisfactory bagging of the grass	<ul style="list-style-type: none"> - Engine speed is too low - Cutting height is too low - Blade is worn - Basket is clogged 	<ul style="list-style-type: none"> - Set speed lever to max. - Set correct height - Replace the blade - Empty the basket

