

GB

**Original operating instructions
Electric Lawn Mower**

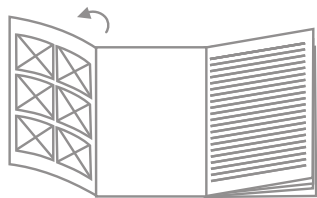
Einhell®

7

Art.-Nr.: 34.002.93

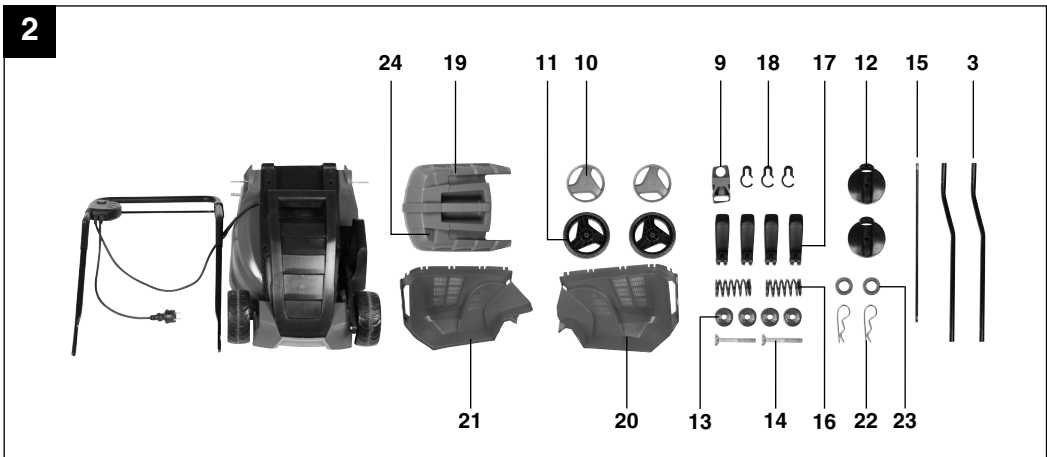
I.-Nr.: 11012

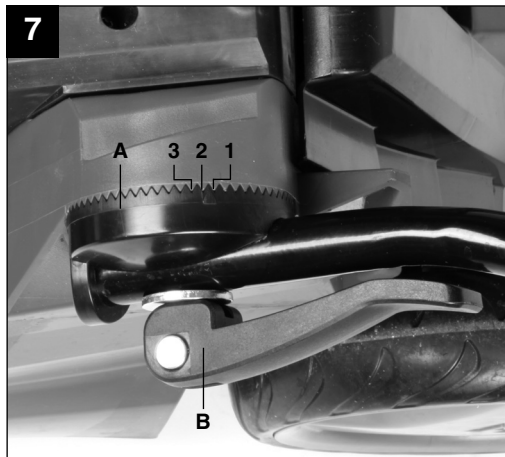
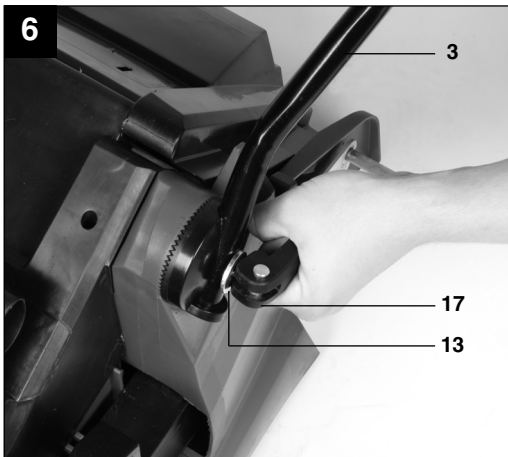
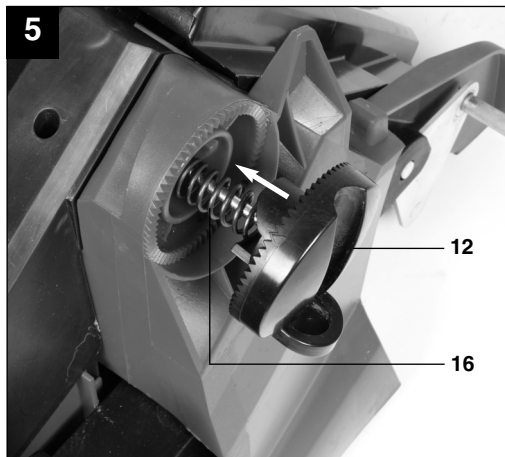
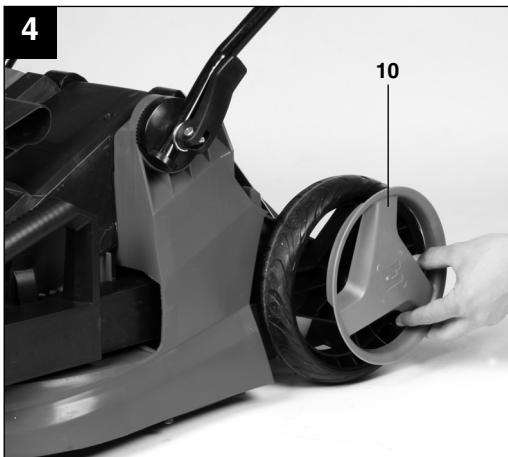
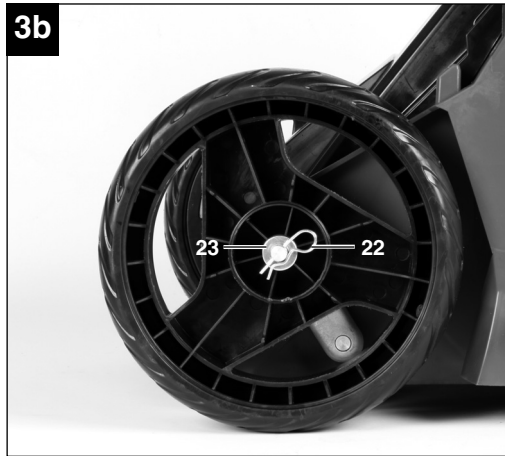
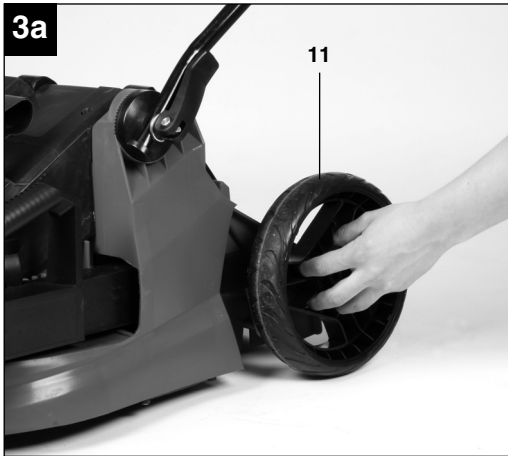
**RG-EM
1536 HW**

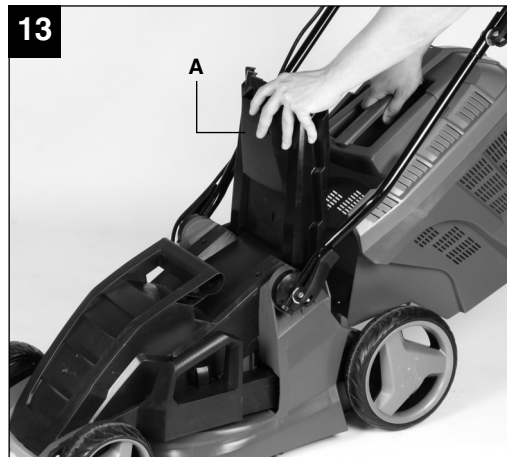
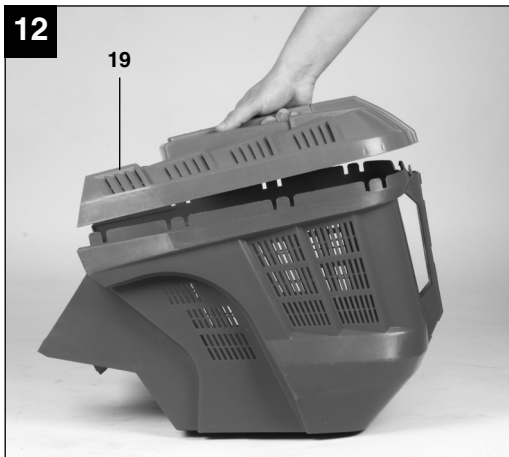
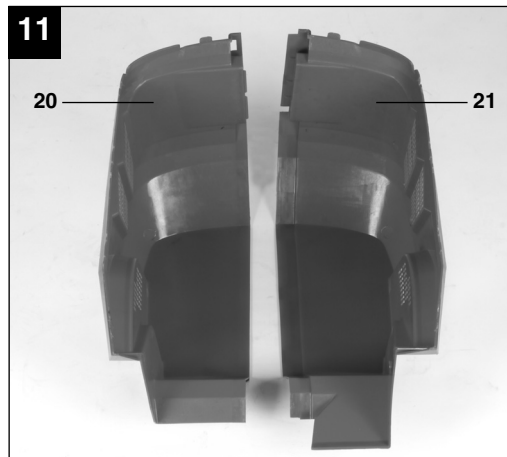
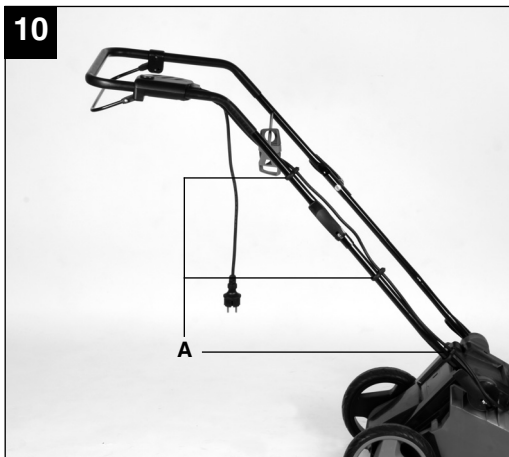
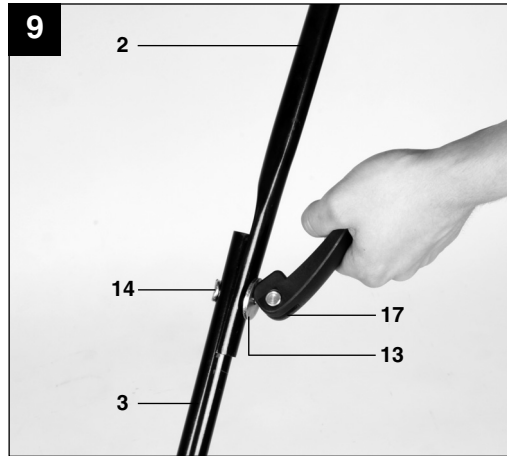
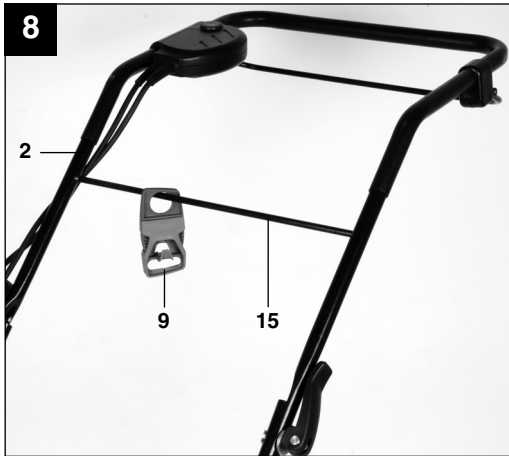


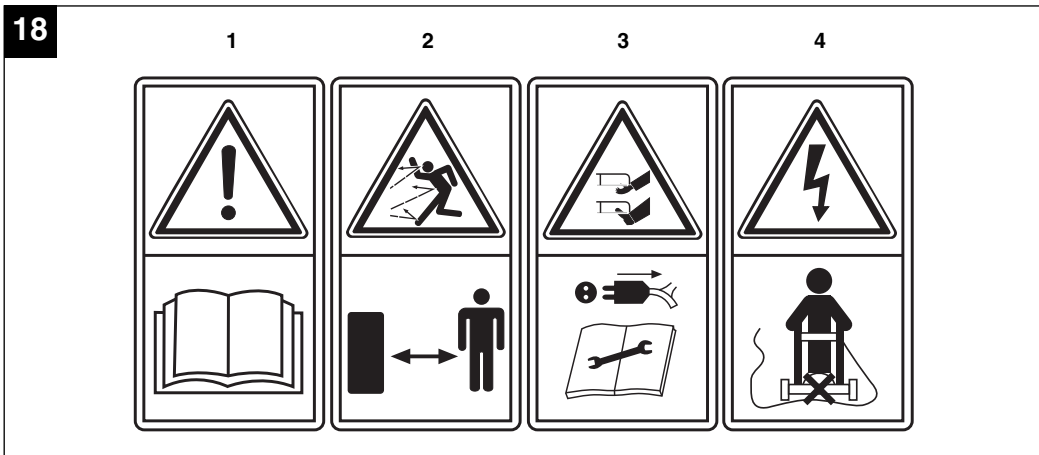
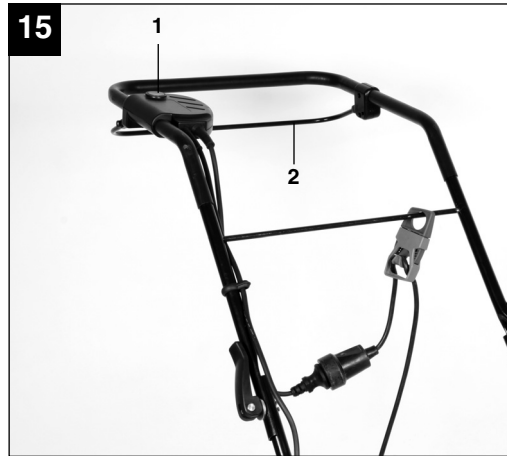
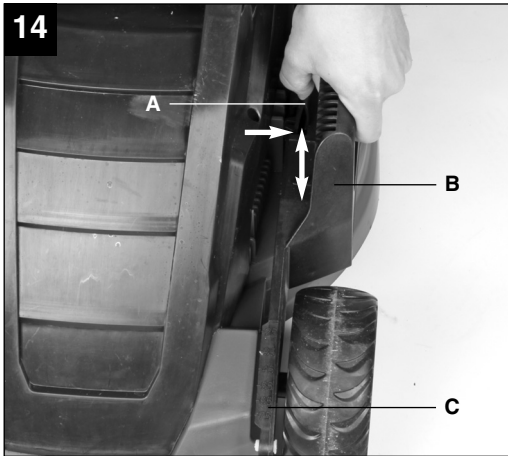
Ⓢ Please fold out page 2 - 5













“Caution - Read the operating instructions to reduce the risk of injury”

GB

Table of contents:

1. Safety information
2. Layout
3. Items supplied
4. Intended use
5. Technical data
6. Before starting the equipment
7. Operation
8. Replacing the power cable
9. Cleaning, maintenance and ordering of spare parts
10. Storage
11. Disposal and recycling
12. Troubleshooting guide

⚠ Important.

When using the equipment, a few safety precautions must be observed to avoid injuries and damage. Please read the complete operating instructions and safety information with due care. Keep these operating instructions in a safe place so that the information is available at all times. If you give the equipment to any other person, hand over these operating instructions and the safety information as well. We cannot accept any liability for damage or accidents which arise due to a failure to follow these instructions and the safety information.

1. Safety information

Please refer to the booklet included in delivery for the safety information.

⚠ CAUTION**Read all the safety regulations and instructions.**

Any errors made in following the safety information and instructions set out below may result in an electric shock, fire and/or serious injury.

Keep all safety information and instructions in a safe place for future use.

This equipment is not designed to be used by people (including children) with limited physical, sensory or mental capacities or those with no experience and/or knowledge unless they are supervised by a person who is responsible for their safety or they have received instructions from such a person in how to use the equipment safely. Children must always be supervised in order to ensure that they do not play with the equipment.

Explanation of the warning signs on the equipment (see Fig. 18)

- 1= Read the directions for use before operating the equipment.
- 2= Keep all other persons away from the danger zone.
- 3= Caution: Sharp blades! Pull out the power plug before carrying out any repair work or if the power cable is damaged. The blades will continue to rotate after the motor is switched off.
- 4= Caution: Keep the power cable away from the cutters!

2. Layout (Fig. 1/2)

1. ON/OFF switch
2. Top push bar
3. Push bar holder (2x)
4. Carry handle
5. Central cutting height adjustment:
6. Ejector flap
7. Grass basket
8. Power cable
9. Cable strain-relief clamp
10. Rear wheel cap (2x)
11. Rear wheel (2x)
12. Handlebar mount (2x)
13. Washer (4x)
14. Fastening screw for top push bar (2x)
15. Holder for the cable strain-relief clip
16. Spring (2x)
17. Nut for top and bottom push bar (4x) with quick clamping function
18. Cable clips
19. Grass basket, top part of the housing
20. Grass basket, right part of the housing
21. Grass basket, left part of the housing
22. Split pin (2x)
23. Washer (2x)
24. Level indicator

3. Items supplied

- Open the packaging and take out the equipment with care.
- Remove the packaging material and any packaging and/or transportation braces (if available).
- Check to see if all items are supplied.
- Inspect the equipment and accessories for transport damage.
- If possible, please keep the packaging until the end of the guarantee period.

IMPORTANT

The equipment and packaging material are not toys. Do not let children play with plastic bags, foils or small parts. There is a danger of swallowing or suffocating!

- Electric Lawn Mower
- Original operating instructions
- Safety information

GB

4. Intended use

The lawn mower is intended for private use i.e. for use in home and gardening environments.

Private use of the lawn mower refers an annual operating time generally not exceeding that of 50 hours, during which time the equipment is primarily used to maintain small-scale, residential lawns and home/hobby gardens. Public facilities, sporting halls, and agricultural/forestry applications are excluded.

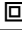
Important. Due to the high risk of bodily injury to the user, the lawn mower may not be used to trim bushes, hedges or shrubs, to cut scaling vegetation, planted roofs, or balcony-grown grass, to clean (suck up) dirt and debris off walkways, or to chop up tree or hedge clippings. Moreover, the lawn mower may not be used as a power cultivator to level out high areas such as molehills.

For safety reasons, the lawn mower may not be used as a drive unit for other work tools or toolkits of any kind, unless they have been expressly permitted by the manufacturer.

The equipment is to be used only for its prescribed purpose. Any other use is deemed to be a case of misuse. The user/operator and not the manufacturer will be liable for any damage or injuries of any kind caused as a result of this.

Please note that our equipment has not been designed for use in commercial, trade or industrial applications. Our warranty will be voided if the equipment is used in commercial, trade or industrial businesses or for equivalent purposes.

5. Technical data

Mains voltage:	230 V ~ 50Hz
Power input:	1500 W
Motor speed:	3,650 min ⁻¹
Cutting width:	36 cm
Cutting height adjustment:	25-75 mm; 6 levels
Grass basket capacity:	40 liters
L _{PA} sound pressure level:	73.6 dB(A)
Uncertainty K _{PA} :	3 dB(A)
L _{WA} sound power level:	96 dB(A)
Vibration at the handlebars:	≤ 2.5 m/s ²
Uncertainty K:	1.5 m/s ²
Protection class:	II / 
Weight:	13.5 kg

Sound and vibration values were measured in accordance with the standards EN ISO 3744:1995, EN ISO 11201:1995 and EN ISO 20643:2005.

Reduce noise generation and vibration to a minimum!

- Use only equipment that is in perfect condition.
- Maintain and clean the equipment regularly.
- Adopt your way of working to the equipment.
- Do not overload the equipment.
- Have the equipment checked if necessary.
- Switch off the equipment when not in use.
- Wear gloves.

6. Before starting the equipment

The lawn mower is delivered unassembled. The complete push bar, the rear wheels and the grass basket must be assembled before using the lawn mower. Follow the operating instructions step-by-step and use the pictures provided as a visual guide to easily assemble the equipment.

Fitting the wheels (Figures 3a, b and 4)

Take the rear wheels (Figure 2/Item 11) and mount them on the axle as shown in Figure 3a. Then slide the washer (Figure 2/Item 23) onto the axle and fasten all parts with the supplied split pin (Figure 2/Item 22) as shown in Figure 3b. Finally, press the wheel caps (Figure 2/Item 10) onto the wheels (Figure 4).

Mounting the push bar (Fig. 5 to 10)

First take the spring (Figure 2/Item 16) and the handlebar mount (Figure 2/Item 12) and mount them on the relevant axle (Figure 5). Now insert the push bar holder (Figure 2/Item 3) into the handlebar mount (Figure 2/Item 12) and secure with the quick clamping function (Figure 2/Item 17) (Figure 6). Important. Do not forget to fit the holder for the cable strain-relief clip (Figure 2/Item 15) and the strain-relief clip (Figure 2/Item 9) on the top push bar first.

The top push bar (Figure 1/Item 2) must be pushed onto the push bar holders (Figure 2/Item 3) and secured as shown above in Figure 9. Then attach the power cable to the push bar (Fig. 10/Item A) using the cable clips (Fig. 2/Item 18). Now you can select the push bar height in three steps from 93.5 to 115.5 cm (Figure 7/Item A).

Important.

The handle height may only be adjusted within the marked range.

- Press in the long handle and secure in the desired position using the quick clamping function (Figure 7/Item B)

Important.

Always set the identical handle height on both sides.

- Use the cable clips to align the cable in accordance with the long handle (Figure 10/Item A)

Mounting the grass basket (see Figs. 11 to 13)

First, plug the left (Fig. 2/Item 21) and right (Fig. 2/Item 20) part of the housing together as shown in Figure 11. Then plug the top part of the housing (Fig. 2/Item 19) onto the already mounted parts (Figure 12). Before you fit the grass basket you must ensure that the motor is switched off and the blade is not rotating. Lift the ejector flap (Fig. 13 / Item A) with one hand. With the other hand, hold the grass basket by the handle and hook it in from above (Fig. 13).

Filling level indicator of the grass collector

The grass collector is equipped with a filling level indicator (Fig. 2/Item 24) which is opened by the air current that the lawn mower generates during operation. If the flap closes during mowing, the grass collecting device is full and must be emptied. To ensure the proper functioning of the filling level indicator, the holes under the flap must be kept clean and open.

Adjusting the cutting height**Important.**

Adjust the cutting height only when the engine is switched off and the power cable has been disconnected.

Before you begin to mow, check to ensure that the blade is not blunt and that none of the fasteners are damaged. To prevent any imbalance, replace blunt and/or damaged blades. To carry out this check, first switch off the motor and pull out the power plug.

The cutting height is adjusted as follows (see Fig. 14):

1. Push the lever (A) outwards.
2. Set the lever (B) to the desired cutting height.
3. Release the lever (A) and check that it is securely seated in the lock.

Reading off the cutting height

The cutting height can be set between 25-75 mm in 6 intervals, and can be read off on the scale (Fig. 14/C).

Power supply

The lawn mower can be connected to any light socket-outlet with a 230 Volt alternating current. However, the socket outlet must have an earthing contact protected by a 16 A circuit breaker. Additionally, a residual current device (RCD) circuit-breaker with max. 30 mA must be used!

Power cable for the device

Please only use power cables that are not damaged. The total length of the power cable should not exceed 50 meters; going beyond this distance will reduce the power output of the electric motor. The power cable must have a cross-section of 3 x 1.5 mm. The insulating sheath of lawn aerator power cables is frequently damaged.

Some of the causes for this are:

- Cuts caused by running over the cable
- Pinching when the power cable is dragging under doors and pulled through windows.
- Cracking due to old age of the insulation
- Kinking by improperly fastening or guiding the power cable

The power cables must, at the very minimum, be of type HO5RN-F and 3-stranded. The cable type must be printed somewhere on the power cable. Only purchase power cables that are marked! Plugs and socket couplers for the power cables must be made from rubber and splash-proof. There is a limit to how long power cables can be. Longer power cables require larger conductor cross-sections. Power cables and connecting lines must be regularly checked for damage. Ensure that the lines are

GB

switched off before checking them. Completely unwind the power cable. Also check power cable entry points, plugs and socket couplers for kinks.

7. Operation

Connect the plug (Fig. 1/Item 8) to an extension cable. It is imperative to secure the extension cable with the cable grip as shown in Figure 15.

Important.

To prevent the equipment switching on accidentally, the lawn mower is equipped with a safety switch (Fig. 15/Item 1) which must be pressed before the switching bar (Fig. 15/Item 2) can be activated. The lawn mower switches itself off when the switching bar is released. Repeat this process several times so that you are sure that the machine functions properly. Before you perform any repair or maintenance work on the equipment, ensure that the blade is not rotating and that the power supply is disconnected.

Important. Never open the chute flap when the grass basket has been detached (to be emptied) and the engine is still running. A rotating blade can cause serious injuries!

Always carefully fasten the chute flap and grass basket. Switch off the engine before emptying the grass basket.

Always ensure that a safe distance (provided by the length of the long handles) is maintained between the user and the mower housing. Be especially careful when mowing and changing direction on slopes and inclines. Maintain a solid footing and wear sturdy, non-slip footwear and long trousers.

Always mow along the incline (not up and down). For safety reasons, the lawn mower may not be used to mow inclines whose gradient exceeds 15 degrees.

Use special caution when backing up and pulling the lawn mower. Tripping hazard!

Tips for proper mowing

It is recommended that you overlap mowing paths a little.

Only use a sharp blade that is in good condition. This will prevent the grass blades from fraying and the lawn from turning yellow.

Try to mow in straight lines for a nice, clean look. The swaths should overlap each other by a few centimeters in order to avoid stripes.

How frequently you should mow your lawn is determined primarily by the speed at which the grass grows. In the main growing season (May - June) you will probably need to mow the lawn twice a week, otherwise just once a week. The cutting height should be between 4 - 6cm and the amount of growth before mowing again should be 4 - 5cm. If the grass is allowed to grow somewhat longer on occasion, never make the mistake of cutting it back to the normal height in one go. This will harm the lawn. Never cut it back by more than half the height in one go.

Keep the underside of the mower housing clean and remove grass build-up. Deposits not only make it more difficult to start the mower; they decrease the quality of the cut and make it harder for the equipment to bag the grass.

Always mow along inclines (not up and down). You can prevent the lawn mower from slipping down by holding a position at an angle upwards.

Select the cutting height according to the length of the grass. If the lawn has grown quite a bit, mow over it several times so that no more than 4 cm of grass are cut at one time.

Switch off the motor before doing any checks on the blade. Keep in mind that the blade continues to rotate for a few seconds after the engine has been switched off. Never attempt to manually stop the blade. Regularly check to see if the blade is securely attached, is in good condition and is sharp. If the contrary is the case, sharpen the blade or replace it. In the event that the blade strikes an object, immediately switch off the lawn mower and wait for the blade to come to a complete stop. Then inspect the condition of the blade and the blade mount. Replace any parts that are damaged.

Lay the power cable on the ground in loops in front of the power outlet. Mow away from the power outlet and cable, making sure that the power cable always trails in the mowed grass so that the lawn mower does not travel over the cable.

As soon as grass clippings start to trail the lawn mower, it is time to empty the grass basket.
Important. Before taking off the grass basket, switch off the engine and wait until the blade has come to a stop.

To take off the grass basket, use one hand to lift up the chute flap and the other to grab onto the basket handle. Remove the basket. For safety reasons, the chute flap automatically falls down after removing the grass basket and closes off the rear chute opening. If any grass remains in the opening, it will be easier to restart the engine if you pull the mower back approximately 1m.

Do not use your hands or feet to remove clippings in or on the mower housing, but instead use suitable tools such as a brush or a hand broom.

In order to ensure that the majority of grass clippings are picked up, the inside of both the grass basket and especially the net must be cleaned after each use.

Reattach the grass basket only when the engine is switched off and the blade is stopped.

Using one hand, lift up the chute flap, while grabbing onto the basket handle with the other. Hang in the basket from the top.

8. Replacing the power cable

If the power cable for this equipment is damaged, it must be replaced by the manufacturer or its after-sales service or similarly trained personnel to avoid danger.

9. Cleaning, maintenance and ordering of spare parts

Always pull out the power plug before starting any cleaning work.

9.1 Cleaning

- Keep all safety devices, air vents and the motor housing free of dirt and dust as far as possible. Wipe the equipment with a clean cloth or blow it down with compressed air at low pressure.
- We recommend that you clean the equipment immediately after you use it.
- Clean the equipment regularly with a damp cloth and some soft soap. Do not use cleaning agents or solvents; these may be aggressive to the plastic parts in the equipment. Ensure that no water can get into the interior of the equipment.

9.2 Carbon brushes

In case of excessive sparking, have the carbon brushes checked only by a qualified electrician. Important. The carbon brushes should not be replaced by anyone but a qualified electrician.

9.3 Servicing

- Worn out or damaged blades, blade mounts, and bolts should be replaced as a set by an authorized professional in order to keep the equipment in balance.
- Do not clean the lawn mower with running water, particularly with high-pressure water. Ensure that all mounting components (i.e. screws, bolts, nuts etc.) are always tightened so that the equipment can be safely operated at all times.
- Frequently check the grass catch assembly for signs of wear.
- Replace excessively worn or damaged parts immediately.
- Store your lawn mower in a dry room.
- In order to ensure that you enjoy your scarifier for many years to come, all screwed parts, as well as the wheels and axles, should be cleaned and lubricated.
- Keeping your hand mower in good condition not only ensures a long lifespan and high performance, but also enables the equipment to thoroughly cut your grass with minimal effort. For best results, clean the lawn mower with a brush or rag. Do not use any solvents or water to remove dirt.
- The cutting components - i.e. the knife cage and lower knife blade - are subjected to more wear and tear than any other component of the unit. Therefore, routinely check the condition of the blade and make sure that it is tightly fastened. If the blade is completely worn out, it must be immediately replaced or ground sharp again. An excessively vibrating mower means that the blade is not properly balanced or has become deformed from striking an object. In this case, the blade must be repaired or replaced.
- There are no parts inside the equipment which require additional maintenance.

GB**9.4 Replacing the blade**

For safety reasons, we recommend having the blade replaced by an authorized professional. Important. Wear work gloves! Only replace the blade with a genuine Einhell replacement blade, as this will ensure top performance and safety under all conditions.

Carry out the following steps to change the blade:

- Undo the fastening screw (see Fig. 16).
- Remove the blade and replace with a new one.
- When fitting the blade, make sure it is installed in the right direction. The blade's air vanes must jut into the motor compartment (see Fig. 16). The dome mounts must be aligned with the punch holes in the blade (see Fig. 17).
- Then retighten the fastening screw. The tightening torque should be approx. 25 Nm.

At the end of the season, perform a general inspection of the lawn mower and remove any grass and dirt which may have accumulated. At the start of each season, ensure that you check the condition of the blade. If repairs are necessary, please contact our customer service center. Use only genuine spare parts.

9.5 Ordering replacement parts:

Please provide the following information on all orders for spare parts:

- Model/type of the equipment
- Article number of the equipment
- ID number of the equipment
- Spare part number of the required spare part

For our latest prices and information please go to www.einhell.com.au

10. Storage

Store the equipment and accessories out of children's reach in a dark and dry place at above freezing temperature. The ideal storage temperature is between 5 and 30 °C. Store the electric tool in its original packaging.

11. Disposal and recycling

The equipment is supplied in packaging to prevent it from being damaged in transit. The raw materials in this packaging can be reused or recycled. The equipment and its accessories are made of various types of material, such as metal and plastic. Defective components must be disposed of as special waste. Ask your dealer or your local council.

12. Troubleshooting

Fault	Possible causes	Remedies
The motor fails to start	<ul style="list-style-type: none"> a) The capacitor is defective b) There is no electricity at the plug c) The cable is defective d) The combined switch/plug is defective e) The connectors have become separated from the motor or the capacitor f) The mower is standing in high grass g) The mower housing is clogged 	<ul style="list-style-type: none"> a) The mower housing is clogged. Have repaired by the Customer Service Center b) Check the cable and the fuse c) Check the cable d) Have repaired by the Customer Service Center e) Have repaired by the Customer Service Center f) Start in low grass or on an area that has already been mowed; change the cutting height if necessary g) Clean the housing so that the blade moves freely
The motor performance drops	<ul style="list-style-type: none"> a) The grass is too high or too damp b) The mower housing is clogged c) The blade is severely worn 	<ul style="list-style-type: none"> a) Correct the cutting height b) Clean the housing c) Replace the blade
Cutting is irregular	<ul style="list-style-type: none"> a) The blade is worn b) Wrong cutting height 	<ul style="list-style-type: none"> a) Replace or sharpen the blade b) Correct the cutting height

Important! For protection, the motor is equipped with a thermal switch which cuts out when the motor is overloaded and switches on again automatically after a short cooling period.

The guarantee provided in this Guarantee Certificate is given by Einhell Australia Pty Limited
ACN 134 632 858 of 6/166 Wellington Street, Collingwood, Victoria (Telephone number 1300 922 271)
(Einhell Express Guarantee).

GUARANTEE CERTIFICATE

Dear Customer,

All of our products undergo strict quality checks. In the unlikely event that your device develops a fault, please contact our service department at the address shown on this guarantee certificate. Of course, if you would prefer to call us then we are also happy to offer our assistance under the service number printed below. Please note the following terms under which claims under the Einhell Express Guarantee can be made:

1. The benefits conferred by the Einhell Express Guarantee are in addition to all rights and remedies which you may be entitled to under the Australian Consumer Law, and any other statutory rights you may have under other applicable laws. This Einhell Express Guarantee does not exclude, restrict or modify any such rights or remedies.

We do not charge you for the Einhell Express Guarantee.

2. Our goods come with guarantees that cannot be excluded under the Australian Consumer Law. You are entitled to a replacement or refund for a major failure and for compensation for any other reasonably foreseeable loss or damage. You are also entitled to have the goods repaired or replaced if the goods fail to be of acceptable quality and the failure does not amount to a major failure.
3. The Einhell Express Guarantee only covers problems caused by material or manufacturing defects, and our liability under the Einhell Express Guarantee is limited, at our discretion, to the rectification of these defects or replacement of the product. Please note that the product has not been designed for use in commercial, trade or industrial applications. Consequently, the Einhell Express Guarantee will not apply if the product is used in commercial, trade or industrial applications or for other equivalent activities.
4. The following are also excluded from the Einhell Express Guarantee: compensation for transport damage, damage caused by failure to comply with the installation/assembly instructions or damage caused by unprofessional installation, failure to comply with the operating instructions (e.g. connection to the wrong mains voltage or current type), misuse or inappropriate use (such as overloading of the product or use of non-approved tools or accessories), failure to comply with the maintenance and safety regulations, ingress of foreign bodies into the product (e.g. sand, stones or dust), effects of force or external influences (e.g. damage caused by the product being dropped) and normal wear resulting from proper operation of the product. The Einhell Express Guarantee will also not apply if any attempt is made to tamper with the product.
5. The Einhell Express Guarantee is valid for a period of 2 years starting from the purchase date of the product. Claims made under the Einhell Express Guarantee should be submitted before the end of this guarantee period and within two weeks of the defect being noticed. No claims under the Einhell Express Guarantee will be accepted if submitted after the end of this guarantee period. The original guarantee period remains applicable to the device even if repairs are carried out or parts are replaced. In such cases, the work performed or parts fitted will not result in an extension of the guarantee period for the Einhell Express Guarantee, and the Einhell Express Guarantee will not apply for the work performed or parts fitted. This also applies when an on-site service is used.
6. To make a claim under the Einhell Express Guarantee, please send the relevant product postage-free to the address shown below and enclose either the original or a copy of your sales receipt or another dated proof of purchase. It would help us if you could describe the nature of the problem in as much detail as possible. If the defect is covered by the Einhell Express Guarantee, your product will be repaired immediately and returned to you, or we will send you a new device (at our election).

Any costs incurred by you in making a claim under this Einhell Express Guarantee, unless specified otherwise in this guarantee certificate, must be borne by you.

Of course, we are also happy to offer a chargeable repair service for any defects which are not covered by the scope of the Einhell Express Guarantee or for products which are no longer covered by the Einhell Express Guarantee. To take advantage of this service, please send the product to our service address.

EINHELL AUSTRALIA PTY LTD
6/166 Wellington Street
Collingwood VIC 3066
Australia
Phone: 1300 922 271