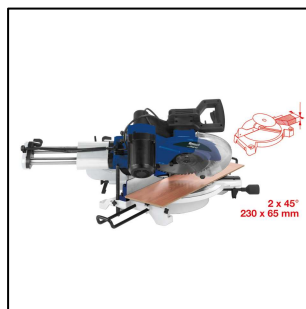
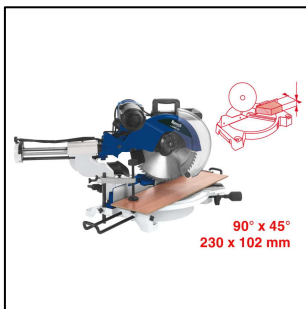
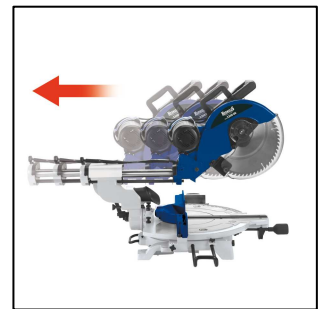




The sliding cross-cut and mitre table saw for easy, precise and smooth cutting of wood parts. The saw even allows double mitre cuts thanks to its tilting and swivelling motor head. Thanks to its sliding function, the saw can make cuts up to 330 mm wide and is therefore ideal for cutting wide panels and laminate floorboard in one go.



ZGS 3300 UG Sliding cross-cut and mitre table saw

Available as special accessory:

Carbide-tipped saw blade:
Ø 305 x Ø 30 x 3.2mm 60 teeth

Art. No.: 45.020.59
Ident. No.: 01014
Bar Code: 4006825 505450

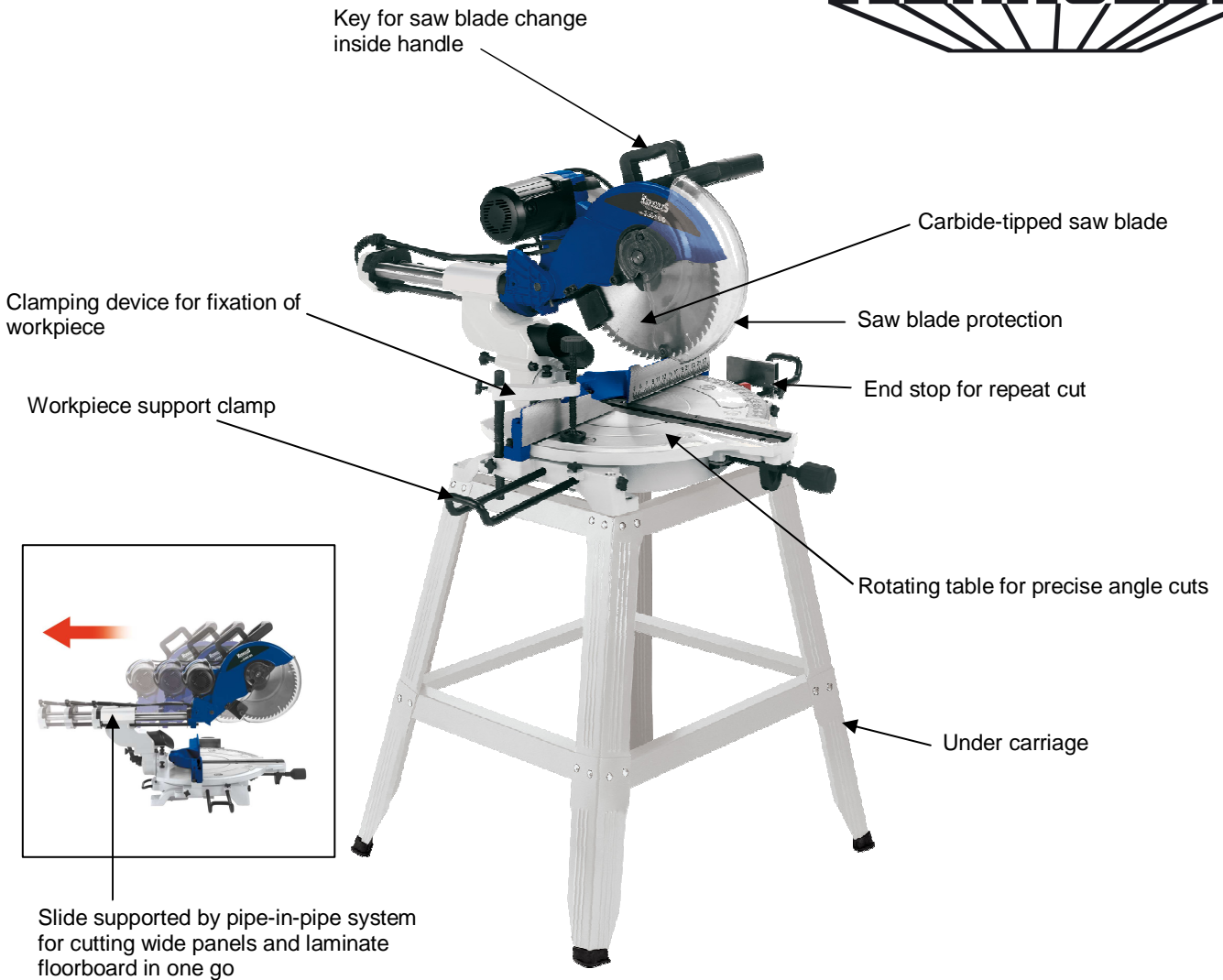


Logistic Information:

Art. No.:	43.006.54	Sales unit:	1 pc
Ident. No.:	01017	20`:`:	96 pcs
Bar Code:	4006825 539066	40`:`:	198 pcs
Packing:	960 x 605 x 540 mm	Weight:	46 kgs (gross)



HERKULES®



Features:

- Slide on pipe-in-pipe support
- Carbide-tipped saw blade with 60 teeth
- Rotating table for precise angle cuts ranging between -45° and $+45^{\circ}$
- Motor head, continuously tiltable from 0° to $+45^{\circ}$
- Clamping device for fixating the workpiece
- Including dust bag and transport locking system
- Including two workpiece support clamps
- End stop for continuous cutting
- Key for saw blade change inside handle
- Incl. undercarriage

Technical Data:

- | | |
|--|---|
| - Mains: | 230 V ~ 50 Hz |
| - Power: | 1,600 watts |
| - Idle speed: | $4,200 \text{ min}^{-1}$ |
| - Saw blade: | $\text{Ø } 305 \times \text{Ø } 30 \times 3.2 \text{ mm}$ |
| - No. of teeth: | 60 |
| - Turning range: | -45° to $+45^{\circ}$ |
| - Panels max.: | 330 mm |
| - Mitre cut: | 0° to 45° |
| - Max. cutting width at 45° : | 230 x 102 mm |
| at 90° : | 330 x 102 mm |
| at $2 \times 45^{\circ}$: | 230 x 65 mm |

Logistic Information:

Type:	ZGS 3300	Tool:	Sliding cross-cut and mitre table saw
Art. No.:	43.006.54	Sales unit:	1 pc
Ident. No.:	01017	20`:	96 pcs
Bar Code:	4006825 539066	40`:	198 pcs
Packing:	960 x 605 x 540 mm	Weight:	46 kgs (gross)

