

/// PARKSIDE®

PASS 3.6 A1



GB IE

CORDLESS SCREWDRIVER

Operation and Safety Notes
Original operating instructions

FI

AKKUKÄYTTÖINEN RUUVINVÄÄNNIN

Käyttö- ja turvaohjeet
Alkuperäiskäyttöohje

SE

SLADDLÖS STAVSKRUVDRAGARE

Bruksanvisning och säkerhetsanvisningar
Original-bruksanvisning

DK

BATTERIDREVEN BOREMASKINE

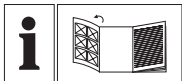
Brugs- og sikkerhedsanvisninger
Original betjeningsvejledning

DE AT CH

AKKU-STABSCHRAUBER

Bedienungs- und Sicherheitshinweise
Originalbetriebsanleitung

FI SE DK



GB IE

Before reading, unfold the page containing the illustrations and familiarise yourself with all functions of the device.

FI

Käännä ennen lukemista kuvallinen sivu esiin ja tutustu seuraavaksi laitteen kaikkiin toimintoihin.

SE

Vik ut bildsidan och ha den till hands när du läser igenom anvisningarna och gör dig bekant med apparatens / maskinens funktioner.

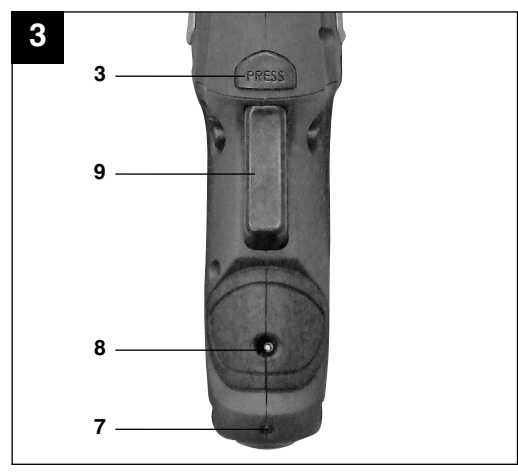
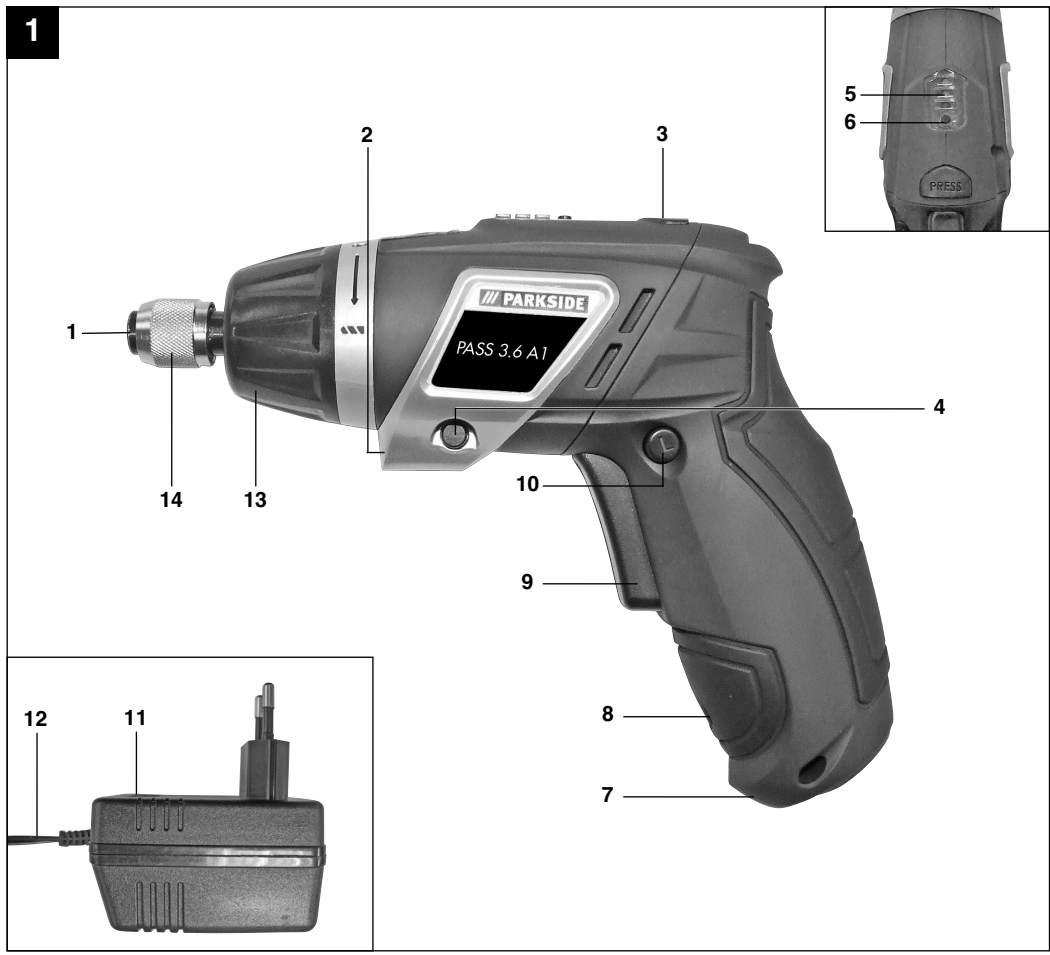
DK

Før du læser, vend siden med billeder frem og bliv bekendt med alle apparatets funktioner.

DE AT CH

Klappen Sie vor dem Lesen die Seite mit den Abbildungen aus und machen Sie sich anschließend mit allen Funktionen des Gerätes vertraut.

GB/IE	Operation and Safety Notes	Page	5
FI	Käyttö- ja turvaohjeet	Sivu	18
SE	Bruksanvisning och säkerhetsanvisningar	Sidan	31
DK	Brugs- og sikkerhedsanvisninger	Side	44
DE/AT/CH	Bedienungs- und Sicherheitshinweise	Seite	57



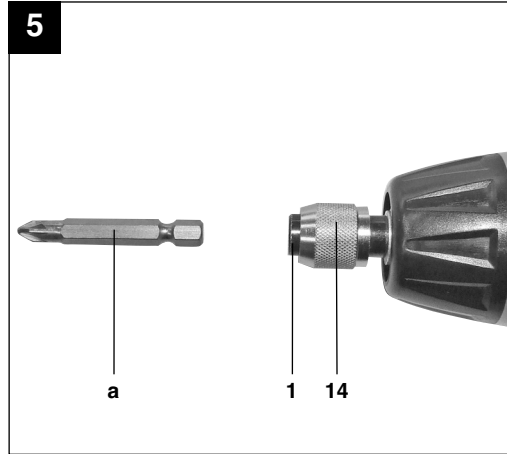
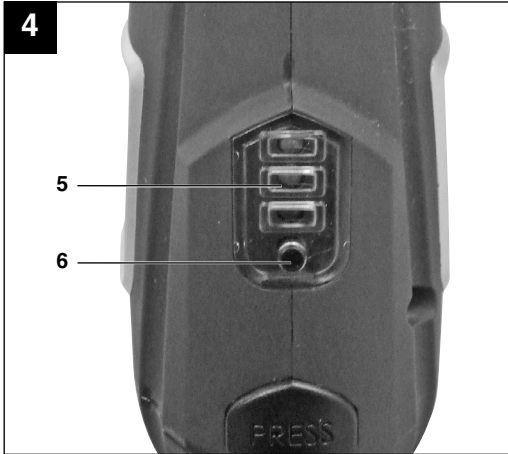




Table of contents:	Page
1. Introduction	7
2. Safety regulations	7-11
3. Layout	11
4. Items supplied.....	11
5. Intended use	12
6. Technical data	12-13
7. Before starting the equipment.....	13
8. Operation	13-14
9. Cleaning, maintenance and ordering of spare parts	15
10. Disposal and recycling.....	15
11. Declaration of conformity	16
12. Guarantee Certificate	17

The reprinting or reproduction by any other means, in whole or in part, of documentation and papers accompanying products is permitted only with the express consent of ISC GmbH.

Technical changes subject to change

GB/
IE



“Caution - Read the operating instructions to reduce the risk of injury”

1. Introduction

⚠ Important!

When using equipment, a few safety precautions must be observed to avoid injuries and damage. Please read the complete operating manual with due care. Keep this manual in a safe place, so that the information is available at all times. If you give the equipment to any other person, give them these operating instructions as well. We accept no liability for damage or accidents which arise due to non-observance of these instructions and the safety information.

2. Safety regulations

General safety instructions for electric tools

⚠ CAUTION!

Read all safety regulations and instructions.

Any errors made in following the safety regulations and instructions may result in an electric shock, fire and/or serious injury.

Keep all safety regulations and instructions in a safe place for future use.

The term "electric tool" used in the safety regulations refers to electric tools operated from the mains power supply (with a power cable) and to battery operated electric tools (without a power cable).

1. Workplace safety

- **Keep your work area clean and well illuminated.** Untidy or unlit work areas can result in accidents.
- **Do not use this tool in a potentially explosive environment containing combustible liquids, gases or dust.** Electric tools generate sparks, which can in turn ignite dust or vapors.
- **Keep children and other persons away from the electric tool while it is being used.** Allowing yourself to get distracted can

cause you to lose control of the tool.

2. ELECTRICAL SAFETY

- **The tool's connector plug must be able to fit into the socket outlet. Do not modify the plug in any way! Do not use adapter plugs in conjunction with electrically grounded tools.** Unmodified plugs and matching socket outlets reduce the risk of an electric shock.
- **Avoid touching grounded surfaces, such as those of pipes/tubes, heaters, cookers and refrigerators.** There is an increased risk of getting an electric shock if you are electrically grounded.
- **Keep the tool away from rain and moisture/wet conditions.** Penetration of water into an electric tool increases the risk of an electric shock.
- **Do not use the cable to carry the tool, hang it up or pull the plug out of the socket. Keep the cable away from sources of heat, oil, sharp edges and moving tool parts.** Damaged or tangled cable increases the risk of an electric shock.
- **If you intend to use an electric tool outdoors, ensure that you only use extension cable that is approved for outdoor applications.** Using extension cable that is approved for outdoor applications reduces the risk of an electric shock.
- **If operation of the electric tool in a damp environment can not be avoided, use a earth-leakage circuit-breaker.** The earth-leakage circuit-breaker reduces the risk of an electric shock.

3. PERSONAL SAFETY

- **Be alert, work conscientiously and exercise appropriate caution when using the electric tool. Do not use the tool if you are tired or are under the influence of drugs/medication or alcohol.** One moment of carelessness or lack of attention when using the electric tool can cause serious bodily injury!

GB/
IE

- **Always wear personal protective equipment (PPE), including safety goggles.**

Wearing personal protective equipment such as a dust mask, non-slip footwear, protective headgear and ear muffs (depending upon the type of electric tool and the particular application) reduces the risk of sustaining injury.

- **Make sure that the tool cannot start up accidentally. Ensure that the electric tool is switched off before you connect the tool to the power supply and/or insert the battery, or pick up or carry the tool.**

Physically touching the switch with your finger when carrying the tool or connecting the tool to the power supply switched on can lead to accidents.

- **Remove adjusting tools/wrench(es) prior to switching on the power tool.**
- **Avoid abnormal working postures. Make sure you stand squarely and keep your balance at all times.**

A tool or wrench that is positioned inside a rotating power tool part can cause injury.

This way, you will be able to have better control over the tool in unexpected situations.

- **Wear suitable clothes. Never wear loose fitting clothes or jewelry. Keep hair, clothes and gloves away from moving parts.**
- **If dust extraction and dust collection devices can be mounted, ensure that these are connected and are properly used.**

Loose clothing, dangling jewelry and long hair can be caught by moving parts.

The use of a dust extraction system can reduce the danger posed by dust.

4. Using the treatment of electric tools

- **Do not overload your tool. Only use suitable electric tools to perform your work.**

Using the right electric tool allows you to work better and safer within the tool's quoted capacity range.

- **Do not use an electric tool whose switch**

is defective.

An electric tool that no longer can be switched on or off is dangerous and must be repaired.

- **Pull the plug out of the socket and/or remove the battery before making any adjustments to the tool, changing accessories or put the tool down.**

This precaution eliminates the possibility of inadvertently starting the tool.

- **When not in use, store electric tools out of the reach of children. Do not allow those persons to use this tool who are unfamiliar with it or who have not read these instructions.**

Electric tools are dangerous when they are used by inexperienced persons.

- **Take good care of your tool. Check that moving parts properly function and do not jam, that parts are not broken off or damaged in any way and that the tool can be used to its full capacity. Have damaged parts repaired prior to using the tool.**

The cause of many accidents can be traced back to poorly maintained electric tools.

- **Keep your blades sharp and clean.**
 - **Make sure to use electric tools, accessories, attachments, etc. in accordance with these instructions. Take the conditions in your work area and the job in hand into account.**
- Properly maintained blades with sharp edges jam less frequently and are easier to use.
- Using electric tools for applications other than those intended can lead to dangerous situations.

5. Usage and treatment of battery powered electric tools

- **Only charge the batteries in chargers that are recommended by the manufacturer.** A charger that is designed for a certain type of batteries may pose a fire risk if it is used with other types of batteries.
- **Use only the correct batteries in the electric tools.** The use of other batteries

may result in injuries and a fire risk.

- **Keep unused batteries away from paper clips, coins, keys, nails, screws and other metallic objects that could cause a short circuit between the contacts.** A short circuit between the battery contacts may cause burns or a fire.
- **In case of incorrect use, fluid may escape from the battery. Avoid contact with it. If you touch it by mistake, rinse the affected area with water. If you get the fluid in your eyes, also seek medical advice.** Leaking battery fluid can cause skin irritation or burns.

6. SERVICE

- **Have your tool repaired only by authorized specialists using original replacement parts.**
This will ensure that your tool remains safe to use.

Hold the equipment by the insulated handles when carrying out work during which the screw or the plug-in tool could strike concealed power cables. Contact with a live cable may also make the metal parts of the equipment live and cause an electric shock.

Additional safety instructions

We pay a great deal of attention to the design of every battery pack to ensure that we supply you with batteries which feature maximum power density, durability and safety. The battery cells have a wide range of safety devices. Each individual cell is initially formatted and its electrical characteristic curves are recorded. These data are then used exclusively to be able to assemble the best possible battery packs. **Despite all the safety precautions, caution must always be exercised when handling batteries. The following points must be obeyed at all times to ensure safe use.**

Safe use can only be guaranteed if undamaged cells are used. Incorrect handling can cause cell damage.

Important: Analyses confirm that incorrect use and poor care are the main causes of the damage caused by high performance batteries.

Information about the battery

- The battery pack supplied with your cordless tool is not charged. The battery pack has to be charged before you use the tool for the first time.
- For optimum battery performance avoid low discharge cycles. Charge the battery pack frequently.
- Store the battery pack in a cool place, ideally at 15°C and charged to at least 40%.
- Lithium-ion batteries are subject to a natural ageing process. The battery pack must be replaced at the latest when its capacity falls to just 80% of its capacity when new. Weakened cells in an aged battery pack are no longer capable of meeting the high power requirements and therefore pose a safety risk.
- Do not throw battery packs into an open fire. There is a risk of explosion!
- Do not ignite the battery pack or expose it to fire.
- **Do not exhaustively discharge batteries.** Exhaustive discharge will damage the battery cells. The most common cause of exhaustive discharge is lengthy storage or non-use of partly discharged batteries. Stop working as soon as the performance of the battery falls noticeably or the electronic protection system triggers. Place the battery pack in storage only after it has been fully charged.
- **Protect batteries and the tool from overloads.** Overloads will quickly result in overheating and cell damage inside the battery housing without this overheating actually being apparent externally.
- **Avoid damage and shocks.** Replace batteries which have been dropped from a height of more than one meter or which have been exposed to violent shocks without delay, even if the housing of the battery pack appears to be undamaged. The battery cells inside the battery may have suffered serious damage. In this

**GB/
IE**

respect, please also read the waste disposal information.

- If the battery pack suffers overloading and overheating, the integrated protective cut-off will switch off the equipment for safety reasons. **Important.** Do not press the ON/OFF switch any more if the protective cut-off has actuated. This may damage the battery pack.
- Use only original battery packs. The use of other batteries may result in injuries, explosion and a fire risk.

Information on chargers and the charging process

- Do not use the supplied battery charger to charge non-rechargeable batteries.
- Please check the data marked on the rating plate of the battery charger. Be sure to connect the battery charger to a power supply with the voltage marked on the rating plate. Never connect it to a different mains voltage.
- Protect the battery charger and its cable from damage and sharp edges. Have damaged cables repaired without delay by a qualified electrician.
- This battery charger is not designed to be used by people (including children) with limited physical, sensory or mental capacities or those with no experience and/or knowledge unless they are supervised by a person who is responsible for their safety or they have received instructions from such a person in how to use the equipment safely.
- Children must always be supervised in order to ensure that they do not play with the equipment.
- Do not use damaged battery chargers.
- Do not use the supplied battery charger to charge other cordless tools.
- In heavy use the battery pack will become warm. Allow the battery pack to cool to room temperature before commencing with the charging.
- **Do not over-charge batteries.** Do not exceed the maximum charging times. These charging times only apply to discharged batteries. Frequent insertion of a

charged or partly charged battery pack will result in over-charging and cell damage. Do not leave batteries in the charger for days on end.

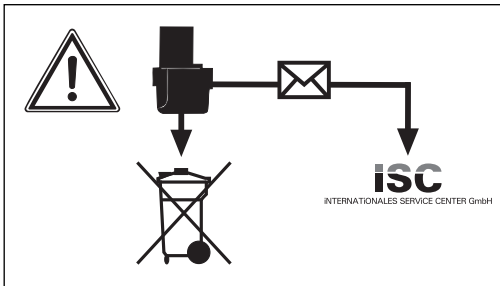
- **Never use or charge batteries if you suspect that the last time they were charged was more than 12 months previously.** There is a high probability that the battery pack has already suffered dangerous damage (exhaustive discharge).
- Charging batteries at a temperature below 10°C will cause chemical damage to the cell and may cause a fire.
- Do not use batteries which have heated during the charging process, as the battery cells may have suffered dangerous damage.
- Do not use batteries which have suffered curvature or deformation during the charging process or which show other non-typical symptoms (gassing, hissing, cracking,...)
- Never fully discharge the battery pack (recommended depth of discharge max. 80%) A complete discharge of the battery pack will lead to premature ageing of the battery cells.
- Never charge the batteries unsupervised.

Protection from environmental influences

- Wear suitable work clothes. Wear safety goggles.
- **Protect your cordless tool and the battery charger from moisture and rain.** Moisture and rain can cause dangerous cell damage.
- Do not use the cordless tool or the battery charger near vapors and inflammable liquids.
- Use the battery charger and cordless tools only in dry conditions and an ambient temperature of 10-40°C.
- Do not keep the battery charger in places where the temperature is liable to reach over 40°C. In particular, do not leave the battery charger in a car that is parked in the sunshine.
- **Protect batteries from overheating.** Overloads, over-charging and exposure to direct sunlight will result in overheating and

cell damage. Never charge or work with batteries which have been overheated – replace them immediately if possible.

- **Storage of batteries, battery chargers and cordless tools.** Store the charger and your cordless tool only in dry places with an ambient temperature of 10-40°C. Store your lithium-ion battery pack in a cool, dry place at a temperature of 10-20°C. Protect them from humidity and direct sunlight. Only place fully charged batteries in storage (charged at least 40%).
- Prevent the lithium-ion battery pack from freezing. Battery packs which were stored below 0°C for more than 60 minutes must be disposed of.
- When handling batteries beware of electrostatic charge: Electrostatic discharges cause damage of the electronic protection system and the battery cells. Avoid electrostatic charging and never touch the battery poles.



Rechargeable batteries and cordless electric machines and tools contain materials that are potentially harmful to the environment. Never place any cordless electric machines or tools in your household refuse. When cordless electric machines or tools become defective or worn, remove the rechargeable batteries and return them to iSC GmbH (address: Eschenstrasse 6, D-94405, Germany). If the rechargeable batteries cannot be removed, return the complete cordless machine or tool. You can then be sure that the equipment will be correctly disposed of by the manufacturer.

When shipping or disposing of batteries and cordless tools, always ensure that they are packed individually in plastic bags to prevent short circuits and fires.

Do not lose this safety information.

3. Layout (Fig. 1)

1. Bit chuck
2. LED lamp
3. Locking button
4. ON/OFF switch for lamp
5. Battery capacity indicator
6. Button for battery capacity indicator
7. Charging control lamp
8. Charging connection
9. ON/OFF switch
10. Clockwise/Counter-clockwise selector switch
11. Battery charger
12. Charging cable
13. Torque selector
14. Locking sleeve

4. Items supplied

Take all parts out of the packaging and check that they are complete.

- Cordless Screwdriver PASS 3.6 A1
- Battery charger
- 26 Bits
- Bit holder
- Case
- Operating Instructions

GB/
IE

5. Intended use

The cordless screwdriver is designed for tightening and loosening screws.

The equipment is to be used only for its prescribed purpose. Any other use is deemed to be a case of misuse. The user/operator and not the manufacturer will be liable for any damage or injuries caused as a result thereof.

Please note that our equipment has not been designed for use in commercial, trade or industrial applications. Our warranty will be voided if the equipment is used in commercial, trade or industrial businesses or for equivalent purposes.

6. Technical data

Motor power supply:	3.6 V DC
Idling speed:	200 rpm
Clockwise/Counter-clockwise:	Yes
Battery charger output voltage:	6,8 V DC
Battery charger output current:	550 mA
Battery charger supply voltage:	230V ~ 50 Hz
Charging time:	3 hours
Battery type:	Li-Ion/1.5 Ah
Weight:	0.4 kg
LED Class	1

Sound and vibration

Sound and vibration values were measured in accordance with EN 60745.

Sound pressure level L_{pA}	62 dB(A)
Uncertainty K_{pA}	3 dB
Sound power level L_{WA}	73 dB(A)
Uncertainty K_{WA}	3 dB

Wear ear-muffs.

The impact of noise can cause damage to hearing.

Total vibration values (vector sum of three directions) determined in accordance with EN 60745.

Screws without hammer action

Vibration emission value $a_h \leq 2.5 \text{ m/s}^2$

Tolerance $K = 1.5 \text{ m/s}^2$

Warning!

The specified vibration value was established in accordance with a standardized testing method. It may change according to how the electric equipment is used and may exceed the specified value in exceptional circumstances.

The specified vibration value can be used to compare the equipment with other electric power tools.

The specified vibration value can be used for initial assessment of a harmful effect.

Keep the noise emissions and vibrations to a minimum.

- Only use appliances which are in perfect working order.
- Service and clean the appliance regularly.
- Adapt your working style to suit the appliance.
- Do not overload the appliance.
- Have the appliance serviced whenever necessary.
- Switch the appliance off when it is not in use.

- Wear protective gloves.

7. Before starting the equipment

⚠ Caution:

Be sure to read the following information before you use your cordless screwdriver for the first time:

1. Only charge the battery pack using the charger (11) supplied.
2. Only use screwdriver bits which are in perfect working order and appropriate.
3. When screwing into walls or partitions, test these for electrical, gas or water connections.

8. Operation

8.1 Charging the battery pack (Fig. 1)

The battery pack is protected from exhaustive discharge. An integrated protective circuit automatically switches off the equipment when the battery pack is flat. In this case the bit chuck (1) will cease to turn.

⚠ Caution:

Do not press the ON/OFF switch (9) any more, if the protective circuit has actuated. This may damage the battery pack.

1. Check that your mains voltage is the same as that marked on the rating plate of the battery charger. Plug the battery charger (11) in the plug socket and connect the charging cable (12) to the charging connection (8). The charging process starts as soon as the charging cable is connected to the charging connection.
2. The charging control lamp (7) indicates that the battery is being charged.
3. The charging control lamp (7) goes out when charging is completed.

⚠ Caution:

The handle may become a little warm during the charging process. This is normal.

If the battery pack fails to charge, please check

- whether there is voltage at the socket-outlet.
- whether there is good contact at the charging contacts of the battery charger (11).

If the battery still fails to charge, send

- the battery charger (11)
- and the screwdriver

to our customer services department.

Timely recharging of the battery pack will help to prolong its lifespan. You must recharge the battery pack when you notice that the power of the screwdriver drops.

8.2 Clockwise/Counter-clockwise changeover switch (Fig. 2/Item 10)

The clockwise/counter-clockwise changeover switch (10) above the ON/OFF switch (9) is for setting the direction of rotation of the cordless screwdriver and for preventing the cordless screwdriver from being switched on inadvertently. You can select between clockwise and counter-clockwise rotation.

⚠ Important.

Change the direction of rotation only when the equipment is at a standstill. If you fail to observe this point, the gearing may become damaged. When the clockwise/counter-clockwise changeover switch (10) is in the middle position, the ON/OFF switch (9) is blocked.

Direction	Switch position
Clockwise	"R" pressed
Counter-clockwise	"L" pressed

8.3 ON/OFF switch (Fig. 2/Item 9)

Press the ON/OFF switch (9) to switch the cordless screwdriver on. Release the ON/OFF switch to switch off the tool.

8.4 LED lamp (Fig. 1/Item 2)

The LED lamp (2) can be used in poor lighting conditions to illuminate the area where you want to screw. To switch ON, press the switch (4) and to switch OFF, press the switch (4) again.

GB/
IE**8.5 Handle adjustment (Fig. 1.2/Item 3)**

The screwdriver can be locked into 2 different angle settings. To do so, press the locking button (3) and move the screwdriver into the desired position. Then release the locking button (3).

⚠ Caution:

Before you switch on the screwdriver, make sure that it is correctly locked in the required angle position.

8.6 Battery capacity indicator (Fig. 4/Item. 5)

Press the button for the battery capacity indicator (6). The battery capacity indicator (5) indicates the charge state of the battery on 3 coloured LEDs.

All LEDs are lit:

The battery is fully charged.

The yellow and red LED illuminate:

The battery has an adequate remaining charge.

Red LED:

The battery is discharged, it requires charging.

8.7 Changing the tool (Fig. 5)**⚠ Important.**

Set the clockwise/counter-clockwise changeover switch (10) to its centre position whenever you carry out any work (for example changing the tool, maintenance work, etc.) on the cordless screwdriver.

- Pull back and hold the locking sleeve (14).
- Insert the bit (a) into the bit chuck (1) and let go of the locking sleeve (14)
- Check that it is properly secure by pulling the tool.
- For removal of bits (a), pull back the locking sleeve (14) and hold it firmly.
- Remove the bit (a) and let go of the locking sleeve.

8.8 Torque Setting (Fig. 1/Item 13)**⚠ Caution:**

Only adjust the torque when the appliance is at a standstill.

The cordless screwdriver is fitted with a mechanical torque selector.

The torque for each particular screw size is adjustable at the torque selector (13). The required torque is dependent upon several factors:

- the type and hardness of the material to be worked with.
- the type and length of the screws used.
- the physical burden placed on the screw connection.

When the torque is reached, this is indicated by the clutch being released.

8.9 Screws

It is advisable to use self-centering screws (e.g. Torx, Philips head screws) as these will enable you to work safely and reliably. Always make sure that the bit used is of the same size and shape as the screw.

8.10 Screwdriver overloaded

If the screwdriver is overloaded, the automatic safety switch turns the device off. After a few seconds the screwdriver can be used again.

9. Cleaning, maintenance and ordering of spare parts

⚠ Caution:

Always pull out the mains power plug before starting any cleaning work.

9.1 Cleaning

- Keep all safety devices, air vents and the motor housing free of dirt and dust as far as possible. Wipe the appliance with a clean cloth or blast it with compressed air at low pressure.
- We recommend cleaning the appliance immediately after every use.
- Clean the appliance regularly with a damp cloth and some soft soap. Do not use cleaning agents or solvents; these may be aggressive to the plastic parts in the appliance. Ensure that no water can get into the interior of the tool.

9.2 Maintenance

There are no other parts inside the equipment which require additional maintenance.

9.3 Ordering replacement parts:

Please provide the following information on all orders for spare parts:

- Model/type of the equipment
- Article number of the equipment
- ID number of the appliance

For our latest prices and information please go to www.isc-gmbh.info

10. Disposal and recycling

The equipment is supplied in packaging to prevent it from being damaged in transit. The raw materials in this packaging can be reused or recycled. The appliance and its accessories are made of various types of material, such as metal and plastic. Defective components must be disposed of as special waste. Ask your dealer or your local council.



For EU countries only

Never place any electric tools in your household refuse.

To comply with European Directive 2002/96/EC concerning old electric and electronic equipment and its implementation in national laws, old electric tools have to be separated from other waste and be disposed of in an environment-friendly fashion, e.g. by taking to a recycling depot.

Recycling alternative to returning the electrical equipment:

The owner of the electrical equipment is obligated to arrange for its proper disposal if he no longer wants to keep the equipment in his possession and does not want to return it. In this case the old equipment can be taken to a recycling depot where it is disposed of in accordance with national recycling and waste disposal laws. This does not apply to accessory parts and aids which supplement the old equipment and contain no electrical parts.

GB/
IE

11. Declaration of conformity

Einhell Germany AG · Wiesenweg 22 · D-94405 Landau/Isar



Konformitätserklärung

- erklärt folgende Konformität gemäß EU-Richtlinie und Normen für Artikel
 explains the following conformity according to EU directives and norms for the following product
 déclare la conformité suivante selon la directive CE et les normes concernant l'article
 dichiara la seguente conformità secondo la direttiva UE e le norme per l'articolo
 verklaart de volgende overeenstemming conform EU richtlijn en normen voor het product
 declara la siguiente conformidad a tenor de la directiva y normas de la UE para el artículo
 declara a seguinte conformidade, de acordo com a directiva CE e normas para o artigo
 atterer følgende overensstemmelse i medfør af EU-direktiv samt standarder for artikel
 förklarar följande överensstämmelse enl. EU-direktiv och standarder för artikeln
 vakuuttaa, että tuote täyttää EU-direktiivin ja standardien vaatimukset
 tõendab toote vastavust EL direktiivile ja standarditele
 vydává následující prohlášení o shodě podle směrnice EU a norem pro výrobek
 potrjuje sledeću skladnost s smernico EU in standardi za izdelek
 vydáva nasledujúce prehlásenie o zhode podľa smernice EÚ a noriem pre výrobok
 a cikkekhez az EU-irányvonal és Normák szerint a következő konformitást jelenti ki
 deklaruje zgodność wymienionego poniżej artykułu z następującymi normami na podstawie dyrektywy WE.
 декларира съответното съответствие съгласно Директива на ЕС и норми за артикул
 paskaidro šādu atbilstību ES direktīvai un standartiem
 arībūdina šj atitikimā EU reikalavimams ir prekės normoms
 declară următoarea conformitate conform directivei UE și normelor pentru articolul
 δηλώνει την ακόλουθη συμμόρφωση σύμφωνα με την Οδηγία ΕΚ και τα πρότυπα για το προϊόν
 potvrđuje sljedeću usklađenost prema smjernicama EU i normama za artikl
 Izjava o sukladnosti za ovaj proizvod dostupna je na internet stranici www.lidl.hr.
 potvrđuje sljedeću usklađenost prema smjernicama EU i normama za artikl
 potvrđuje sledeću usklađenost prema smernicama EZ i normama za artikal
 следующим удостоверяется, что следующие продукты соответствуют директивам и нормам ЕС
 проголошує про зазначену нижче відповідність виробу директивам та стандартам ЄС на виріб
 Ūrūnū ile ilgli AB direktifleri ve normlari gereğince aṣağida açıklanan uygunluğū belirtir
 erklærer følgende samsvar i henhold til EU-direktivet og standarder for artikkel
 Lýsir uppfyllingu EU-reglna og annarra staðla vöru

Akkuschrauber PASS 3,6 A1 / Ladegerät LG PASS 3,6 A1 (Parkside)

- | | |
|---|--|
| <input type="checkbox"/> 87/404/EC_2009/105/EC | <input checked="" type="checkbox"/> 2006/42/EC |
| <input type="checkbox"/> 2005/32/EC_2009/125/EC | <input type="checkbox"/> Annex IV
Notified Body:
Notified Body No.:
Reg. No.: |
| <input type="checkbox"/> 2006/95/EC | |
| <input type="checkbox"/> 2006/28/EC | |
| <input checked="" type="checkbox"/> 2004/108/EC | <input type="checkbox"/> 2000/14/EC_2005/88/EC |
| <input type="checkbox"/> 2004/22/EC | <input type="checkbox"/> Annex V |
| <input type="checkbox"/> 1999/5/EC | <input type="checkbox"/> Annex VI
Noise: measured L_{WA} = dB (A); guaranteed L_{WA} = dB (A)
P = KW; L/Ø = cm
Notified Body: |
| <input type="checkbox"/> 97/23/EC | |
| <input type="checkbox"/> 90/396/EC_2009/142/EC | |
| <input type="checkbox"/> 89/686/EC_96/58/EC | <input type="checkbox"/> 2004/26/EC
Emission No.: |
| <input checked="" type="checkbox"/> 2011/65/EC | |

Standard references: EN 60745-1; EN 60745-2-2; EN 55014-1;
EN 55014-2; EN 60335-1; EN 60335-2-29; EN 61000-3-2; EN 61000-3-3

Landau/Isar, den 22.09.2011

Weichselgartner/General Manager

Unger/Product-Management

First CE: 08
Art.-No.: 45.134.23 I.-No.: 11031
Subject to change without notice

Archive-File/Record: NAPR004730
Documents registrar: Georg Riedel
Wiesenweg 22, D-94405 Landau/Isar

12. GUARANTEE CERTIFICATE

Dear Customer,

All of our products undergo strict quality checks to ensure that they reach you in perfect condition. In the unlikely event that your device develops a fault, please contact our service department at the address shown on this guarantee card. Of course, if you would prefer to call us then we are also happy to offer our assistance under the service number printed below. Please note the following terms under which guarantee claims can be made:

1. These guarantee terms cover additional guarantee rights and do not affect your statutory warranty rights. We do not charge you for this guarantee.
2. Our guarantee only covers problems caused by material or manufacturing defects, and it is restricted to the rectification of these defects or replacement of the device. Please note that our devices have not been designed for use in commercial, trade or industrial applications. Consequently, the guarantee is invalidated if the equipment is used in commercial, trade or industrial applications or for other equivalent activities. The following are also excluded from our guarantee: compensation for transport damage, damage caused by failure to comply with the installation/assembly instructions or damage caused by unprofessional installation, failure to comply with the operating instructions (e.g. connection to the wrong mains voltage or current type), misuse or inappropriate use (such as overloading of the device or use of non-approved tools or accessories), failure to comply with the maintenance and safety regulations, ingress of foreign bodies into the device (e.g. sand, stones or dust), effects of force or external influences (e.g. damage caused by the device being dropped) and normal wear resulting from proper operation of the device. This applies in particular to rechargeable batteries for which we nevertheless issue a guarantee period of 12 months.

The guarantee is rendered null and void if any attempt is made to tamper with the device.
3. The guarantee is valid for a period of 3 years starting from the purchase date of the device. Guarantee claims should be submitted before the end of the guarantee period within two weeks of the defect being noticed. No guarantee claims will be accepted after the end of the guarantee period. The original guarantee period remains applicable to the device even if repairs are carried out or parts are replaced. In such cases, the work performed or parts fitted will not result in an extension of the guarantee period, and no new guarantee will become active for the work performed or parts fitted. This also applies when an on-site service is used.
4. In order to assert your guarantee claim, please send your defective device postage-free to the address shown below. Please enclose either the original or a copy of your sales receipt or another dated proof of purchase. Please keep your sales receipt in a safe place, as it is your proof of purchase. It would help us if you could describe the nature of the problem in as much detail as possible. If the defect is covered by our guarantee then your device will either be repaired immediately and returned to you, or we will send you a new device.

Of course, we are also happy offer a chargeable repair service for any defects which are not covered by the scope of this guarantee or for units which are no longer covered. To take advantage of this service, please send the device to our service address.



Sisällysluettelo

Sivu

1. Johdanto	20
2. Turvallisuusmääräykset	20-24
3. Laitteen kuvaus	24
4. Toimituksen laajuus	24
5. Määräysten mukainen käyttö	24
6. Tekniset tiedot.....	25
7. Ennen käyttöönottoa	25
8. Käyttö.....	25-27
9. Puhdistus, huolto ja varaosatarilaus	27
10. Käytöstäpoisto ja uusiokäyttö.....	28
11. Standardinmukaisuustodistus	29
12. Takuutodistus.....	30

Tuotedokumentaation ja tuotteen mukana toimitettujen papereiden osittainenkin kopiointi tai muu monistaminen on sallittu ainoastaan ISC GmbH:n nimenomaisella luvalla.

Oikeus teknisiin muutoksiin pidätetään



„VAROITUS – Tapaturmavaaran vähentämiseksi lue käyttöohje“

1. Johdanto

⚠ Huomio!

Laitteita käytettäessä tulee noudattaa tiettyjä turvallisuusvarotoimia tapaturmien ja vaurioiden välttämiseksi. Lue sen vuoksi tämä käyttöohje / nämä turvallisuusmääräykset huolellisesti läpi. Säilytä käyttöohje hyvin, jotta siinä olevat tiedot ovat myöhemminkin milloin vain käytävissäsi. Jos luovutat laitteen muille henkilöille, ole hyvä ja anna heille myös tämä käyttöohje / nämä turvallisuusmääräykset laitteen mukana. Emme ota mitään vastuuta tapaturmista tai vaurioista, jotka ovat aiheutuneet tämän käyttöohjeen tai turvallisuusohjeiden noudattamisen laiminlyönnistä.

2. Turvallisuusmääräykset

Sähkötyökalujen yleiset turvallisuusmääräykset

⚠ VAROITUS Lue kaikki

turvallisuusmääräykset ja ohjeet. Jos turvallisuusmääräyksiä tai muita ohjeita ei noudateta, saattaa tästä aiheutua sähköiskuja, tulipaloja ja/tai vaikeita vammoja.

Säilytä kaikki turvallisuusmääräykset ja ohjeet myöhempiä tarvetta varten.

Turvallisuusmääräyksissä käytetyllä käsitteellä „sähkötyökalu“ tarkoitetaan verkkovirtakäyttöisiä sähkötyökaluja (varustettu verkkojohdolla) sekä akkukäyttöisiä sähkötyökaluja (ilman verkkojohtoa).

1. Työpaikan turvallisuus

- **Pidä työalueesi siistinä ja hyvin valaistuna.** Työalueella vallitsevasta epäjärjestyksestä tai huonosta valaistuksesta voi aiheutua tapaturmia.
- **Älä käytä sähkötyökalua räjähdysalttiissa ympäristössä, jossa on tulenarkoja nesteitä, kaasuja tai pölyjä.** Sähkötyökalut kehittävät kipinöitä, jotka saattavat sytyttää pölyn tai höyryt palamaan.
- **Pidä lapset ja muut henkilöt poissa**

työalueelta sähkötyökalua käyttäessäsi. Voit menettää laitteen hallinnan häirinnän vuoksi.

2. Sähköturvallisuus

- **Sähkötyökalun liitäntäpistokkeen tulee sopia pistorasiaan. Pistoketta ei saa muuttaa millään tavalla. Älä käytä sovittipistokkeita yhdessä suojamaadoitettujen sähkötyökalujen kanssa.** Muuttamattomat pistokkeet ja sopivat pistorasiat vähentävät sähköiskun vaaraa.
- **Vältä koskemasta vartalollasi maadoitettuihin osiin, esim. putkiin, lämmittimiin, liesiin ja jääkaappeihin.** Jos vartalosi on maadoitettu, aiheutuu tästä suurempi sähköiskun vaara.
- **Suojaa sähkötyökalut sateelta tai kosteudelta.** Veden tunkeutuminen sähkötyökaluun lisää sähköiskun vaaraa.
- **Älä käytä liitäntäjohtoa väärin esim. kantamalla sen avulla sähkötyökalua, ripustamalla sähkötyökalun siitä tai vetämällä pistokkeen pistorasiasta johtoa käyttäen.** Suojaa johtoa kuumuudelta, öljyltä, teräviltä reunoilta tai liikkuvilta laitteen osilta. Vahingoittuneet tai mutkille kiertyneet johdot lisäävät sähköiskun vaaraa.
- **Kun käytät sähkötyökalua ulkona, käytä ainoastaan sellaisia jatkojohtoja, jotka ovat sallittuja ulkokäyttöön.** Ulkokäyttöä varten soveliaan jatkojohdon käyttö vähentää sähköiskun vaaraa.
- **Jos sähkötyökalun käyttö kosteassa ympäristössä on välttämätöntä, käytä vuotovirtasuojakatkaisinta.** Vuotovirtasuojakatkaisimen käyttö vähentää sähköiskun vaaraa.

3. Ihmisten turvallisuus

- **Ole tarkkaavainen, keskity siihen, mitä teet, ja käytä järkeäsi työskennellessäsi sähkötyökaluja käyttäen. Älä käytä sähkötyökalua ollessasi väsynyt tai huumeiden, päihteiden tai lääkeaineiden vaikutuksen alainen.** Hetkisenkin hajamielisyys sähkötyökalua

käytettäessä saattaa aiheuttaa vakavia vammoja.

- **Käytä henkilökohtaisia suojavarusteita sekä aina suojalaseja.** Henkilökohtaisten suojavarusteiden, kuten pölynaamarin, luistamattomien turvajalkineiden, kypärän tai kuulosuojusten käyttö, riippuen sähkötyökalun laadusta ja työkohteesta, vähentää loukkaantumisvaaraa.
 - **Vältä tahatonta käynnistystä. Varmista, että sähkötyökalu on sammutettu, ennen kuin liität sen virransyöttöön ja/tai akkuun, otat sen käteesi tai kannat sitä.** Jos pidät sormeasi katkaisimella sähkötyökalua kantaessasi tai liität laitteen verkkovirtaan sen ollessa päällekytkettynä, voi tästä aiheutua tapaturmia.
 - **Ota säätötyökalut tai ruuviavaimet pois, ennen kuin käynnistät sähkötyökalun.** Pyörivässä laitteen osassa oleva työkalu tai avain saattaa aiheuttaa vammoja.
 - **Vältä luonottomia asentoja. Huolehdi tukevasta jalansijasta ja säilytä aina tasapainosi.** Siten voit säilyttää sähkötyökalun hallinnan paremmin myös odottamattomissa tilanteissa.
 - **Käytä tarkoituksenmukaisia vaatteita. Älä käytä väljiä vaatteita tai koruja. Pidä hiukset, vaatteet ja käsineet poissa liikkuvista osista.** Väljät vaatteet, korut tai pitkät hiukset saattavat takertua laitteen liikkuviin osiin.
 - **Jos koneeseen voidaan asentaa pölyn poistoimulaitteet ja pölynkeräyslaitteet, varmista, että ne on liitetty ja että niitä käytetään oikein.** Pölyn poistoimulaitteen käyttö voi vähentää pölystä aiheutuvia vaaroja.
- 4. Sähkötyökalun käyttö ja käsittely**
- **Älä ylikuormita laitetta. Käytä työssäsi siihen tarkoitettua sähkötyökalua.** Sopivalla sähkötyökalulla työskentelet paremmin ja turvallisemmin sen oikealla tehoalueella.
 - **Älä käytä sähkötyökalua, jonka katkaisin on viallinen.** Sähkötyökalu, jota ei voi enää kytkeä päälle tai pois, on vaarallinen ja se tulee korjata.

- **Vedä pistoke pois pistorasiasta ja/tai ota akku pois, ennen kuin suoritat laitteeseen säätöjä, vaihdat sen varusteita tai panet laitteen pois.** Tämä varotoimenpide estää sähkötyökalun tahattoman käynnistymisen.
 - **Säilytä sähkötyökalut poissa lasten ulottuvilta, kun niitä ei käytetä. Älä anna sellaisten henkilöiden käyttää laitetta, jotka eivät ole perehtyneet tähän laitteeseen tai lukeneet näitä käyttöohjeita.** Sähkötyökalut ovat vaarallisia kokemattomien henkilöiden käyttäminä.
 - **Hoida sähkötyökaluja huolellisesti. Tarkasta, toimivatko liikkuvat osat moitteettomasti ja juuttumatta kiinni, onko laitteesta murtunut osia tai ovatko laitteen jotkut osat niin pahasti vaurioituneita, että sähkötyökalun toiminta kärsii siitä. Anna korjata vaurioituneet osat ennen laitteen käyttöä.** Monien tapaturmien syynä on huonosti huollettu sähkötyökalu.
 - **Pidä leikkaustyökalusi terävinä ja puhtaina.** Huolellisesti hoidetut, teräväteräiset leikkaustyökalut juuttuvat harvemmin kiinni ja niitä on helpompi ohjata.
 - **Käytä sähkötyökaluja, varusteita, käyttötyökaluja jne. aina näiden ohjeiden mukaisesti. Ota tällöin myös huomioon työskentelyolosuhteet ja suoritettava työ.** Sähkötyökalujen käyttö muuhun kuin niiden määrättyyn käyttötarkoitukseen saattaa aiheuttaa pahoja vaaratilanteita.
- 5. Akkukäyttöisen työkalun käyttö ja käsittely**
- **Lataa akkusi vain sellaisilla latauslaitteilla, joita akun valmistaja suosittelee.** Jos latauslaite on suunniteltu käytettäväksi tietyn akkutyypin lataamiseen, uhkaa tulipalon vaara, jos siinä ladataan muuntyyppisiä akkuja.
 - **Käytä sähkötyökaluissa vain niille tarkoitettuja akkuja.** Muunlaisten akkujen käytöstä saattaa aiheutua tapaturman ja

FI

tulipalon vaara.

- **Kun akku ei ole käytössä, pidä paperiliittimet, lantit, avaimet, naulat, ruuvit tai muut pienet metalliesineet poissa sen lähettäviltä, koska ne saattavat aiheuttaa sillan akun kontaktien välille.** Akun kontaktien välinen lyhytsulku saattaa aiheuttaa palovammoja tai tulipalon.
- **Jos akkua käsitellään väärin, saattaa siitä vuotaa nestettä ulos. Vältä koskettamasta siihen. Jos epähuomioissa kosketat nesteeseen, huuhto se vedellä pois. Jos nestettä joutuu silmiin, hakeudu lisäksi lääkärinhoitoon.** Ulosvuotava akkuneste saattaa aiheuttaa ihon ärtymistä tai palovammoja.

6. Huolto

- **Anna ainoastaan ammattitaitoisten henkilöiden korjata sähkötyökalusi käyttäen ainoastaan alkuperäisiä varaosia.** Täten varmistat, että sähkötyökalun käyttöturvallisuus säilyy.

Pidä laitteesta kiinni vain sen eristetyistä kahvoista suorittaessasi töitä, joissa ruuvi tai vaihtotyökalu saattaa osua piilossa oleviin sähköjohtoihin. Yhteys jännitteelliseen johtoon saattaa tehdä myös metalliset laitteen osat jännitteellisiksi ja aiheuttaa sähköiskun.

Erityiset turvallisuusmääräykset

Suoritamme jokaisen akkusarjan kokoamisen mitä huolellisimmin, jotta voimme toimittaa sinulle akun, jonka energiataso, kesto ja turvallisuus ovat mahdollisimman hyvät. Akkukennot on varustettu monivaiheisilla turvavarusteilla. Kukin kenno formatoidaan ensin ja sen sähköntunnuskäyrät mitataan. Näitä tietoja käytetään sitten parhaiden mahdollisten akkusarjojen ryhmittelyyn. **Kaikista varotoimista huolimatta tulee akkuja aina käsitellä varoen. Turvallista käyttöä varten tulee ehdottomasti noudattaa seuraavia ohjeita.**

Turvallinen käyttö on taattu vain käytettäessä vahingoittumattomia kennoja!

22

Virheellisestä käsittelystä aiheutuu kennojen vahingoittuminen.

Huomio! Analysoinnit ovat osoittaneet, että väärä käyttö ja virheellinen hoito ovat suurtehoakkujen aiheuttamien vahinkojen tärkeimmät syyt.

Akkua koskevat ohjeet

- Akkukäyttöisen laitteen akkua ei toimiteta ladattuna. Siksi akku täytyy ladata ennen ensimmäistä käyttöönottoa.
- Parhaan akkutehon saavuttamiseksi vältä akun täydellistä tyhjenemistä! Lataa akku usein.
- Säilytä akkua viileässä, parhaiten 15°C lämpötilassa ja vähintään 40 % ladattuna.
- Litiumi-ioniakuissa tapahtuu luonnollista vanhenemista. Viimeistään silloin, kun akun teho on enää vain 80 % uudesta, täytyy akku vaihtaa uuteen. Vanhentuneen akkusarjan heikentyneet kennot eivät enää kestä niille asetettuja korkeita tehovaatimuksia ja aiheuttavat täten turvallisuusrisin.
- Älä heitä loppuun käytettyjä akkuja avotuleen. Räjähdyksivaara!
- Älä sytytä akkua palamaan tai pane sitä tuleen.
- **Älä tyhjennä akkuja täysin!** Akun kennot vahingoittuvat tyhjentäessään täysin. Akkusarjojen täydelleen tyhjenemisen syynä on useimmiten osaksi tyhjentyneiden akkujen pitkään kestänyt säilytys tai käyttämättä jättäminen. Lopeta työjakso heti kun teho heikkenee havaittavasti tai suojaelektronikka laukeaa. Varastoi akku vasta kun se on ladattu uudelleen täyteen.
- **Suojaa akkua tai laitetta ylikuormitukselta!** Ylikuormitus johtaa nopeasti ylikuumenemiseen ja kennojen vahingoittumiseen akun kotelon sisäpuolella ilman että ylikuumenemistä havaitaan ulkopinnalla.
- **Vältä vaurioita ja iskuja!** Vaihda sellaiset akut, jotka ovat pudonneet yli metrin korkeudelta tai joihin on kohdistunut lujia iskuja, välittömästi uusiin

silloinkin, kun akkusarjan kotelo näyttää ulospäin ehjältä. Sisällä olevat akkukennot saattavat olla vakavasti vioittuneet. Noudata tässä myös hävittämisestä annettuja ohjeita.

- Ylikuormituksen tai ylikuumentumisen tapahtuessa integroitu suojakatkaisin sammuttaa laitteen turvallisuussyistä. **Huomio!** Älä paina päälle-/pois-katkaisinta enää sen jälkeen kun suojakatkaisin on sammuttanut laitteen. Se saattaa vahingoittaa akkua.
- Käytä ainoastaan alkuperäisiä akkuja. Muunlaisten akkujen käytöstä saattaa aiheutua tapaturman, räjähdysen ja tulipalon vaara.

Laturia ja lataamista koskevat ohjeet

- Älä käytä mukana toimitettua laturia sellaisten paristojen lataamiseen, joita ei ole tarkoitettu ladata uudelleen.
- Noudata laturin tyyppikilvessä annettuja tietoja. Liitä laturi ainoastaan tyyppikilvessä annetun mukaiseen verkkojännitteeseen.
- Suojaa laturia ja sen johtoa vahingoittumiselta ja teräviltä reunoilta. Sähköalan ammattihenkilön tulee vaihtaa vahingoittuneet johdot välittömästi uusiin.
- Latauslaitetta ei ole tarkoitettu sellaisten henkilöiden (ei myöskään lasten) käytettäväksi, joiden fyysiset, aistiperäiset tai henkiset kyvyt ovat rajoitetut, tai joilla ei ole käyttöön tarvittavaa kokemusta ja/tai taitoja, paitsi sellaisen heidän turvallisuudestaan vastuullisen henkilön valvonnassa, joka voi opastaa heitä käyttämään laitetta oikein.
- Lapsia tulee valvoa, jotta he eivät missään tapauksessa voi leikkiä laitteella.
- Älä käytä vahingoittuneita latureita.
- Älä käytä mukana toimitettua laturia muiden akkukäyttöisten laitteiden lataamiseen.
- Voimakkaasti kuormitettuna akkusarja lämpenee. Anna akkusarjan jäähtyä huoneenlämpöiseksi ennen lataamisen aloittamista.
- **Älä lataa akkuja liian pitkään!** Noudata annettuja suurimpia latausaikoja. Nämä latausajat koskevat vain tyhjentyneitä akkuja. Täyteen tai osittain ladatun akun

toistettu laturiin pano aiheuttaa liiallisen lataamisen ja kennojen vahingoittumisen. Älä jätä akkuja laturiin useammaksi päiväksi.

- **Älä koskaan käytä tai lataa akkuja, jos oletat, että akku on viimeksi ladattu yli 12 kuukautta sitten.** Tällöin on erittäin todennäköistä, että akku on jo vahingoittunut vakavasti (tyhjentynyt täysin).
- Lataaminen alle 10°C lämpötilassa aiheuttaa kennon kemiallisen vahingoittumisen ja saattaa johtaa tulipaloon.
- Älä käytä akkuja, jotka ovat lämmenneet lataamisen aikana, koska akun kennot saattavat olla vaarallisesti vahingoittuneita.
- Älä käytä akkuja, jotka ovat ladattaessa pullistuneet tai vääntyneet, tai joissa esiintyy muita outoja ilmiöitä (kaasupurkauksia, naksahduksia, sihinää, ...)
- Älä tyhjennä akkua täydellisesti (suositeltu suurin tyhjennystaso kork. 80 %). Täysin tyhjeneminen aiheuttaa akun kennojen ennenaikaisen vanhenemisen.
- Älä koskaan lataa akkuja valvomatta!

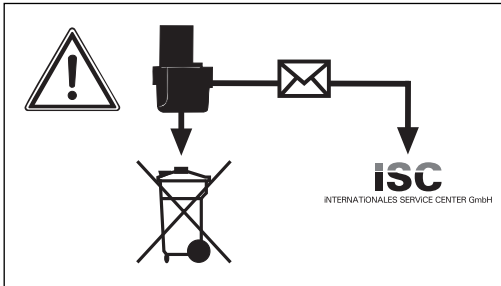
Suojaaminen ympäristötekijöiltä

- Käytä tarkoituksenmukaisia työvaatteita. Käytä suojalaseja.
- **Suojaa akkukäyttöistä laitetta ja laturia kosteudelta ja sateelta.** Kosteus ja sade saattavat vahingoittaa kennoja pahasti.
- Älä käytä akkukäyttöistä laitetta tai laturia höyryjen tai tulenarkojen nesteiden lähetyksillä.
- Käytä laturia ja akkukäyttöisiä laitteita vain kuivina ja ympäristön lämpötilan ollessa 10 - 40°C.
- Älä säilytä akkua sellaisissa paikoissa, joiden lämpötila saattaa nousta yli 40°C, erityisesti aurinkoon pysäköidyssä autossa.
- **Suojaa akkuja ylikuumentumiselta!** Ylikuormitus, liiallinen lataaminen tai auringonpaiste aiheuttavat ylikuumentumisen ja kennojen vahingoittumisen. Älä koskaan lataa tai käytä akkuja, jotka ovat kuumenneet liikaa - vaihda ne viipymättä uusiin.
- **Akkujen, latureiden ja akkukäyttöisen laitteen säilytys.** Säilytä laturi ja

FI

akkukäyttöinen laitteesi vain kuivissa tiloissa, joissa lämpötila on 10-40°C. Säilytä litiumi-ioniakkua viileässä ja kuivassa 10-20°C lämpötilassa. Suojaa kosteudelta ja suoralta auringonpaisteelta. Säilytä akkuja vain ladattuna (väh. 40 % ladattuna).

- Estä litiumi-ioniakun jäätyminen. Akut, joita on säilytetty yli 6 minuutin ajan alle 0°C lämpötilassa, tulee hävittää.
- Käsittele akkuja varovasti sähköstaattisen latautumisen suhteen: sähköstaattiset purkaukset aiheuttavat suojaelektronikan ja akkukennojen vahingoittumisen! Vältä tämän vuoksi sähköstaattista latautumista äläkä koskaan kosketa akun napoihin!



Akkuvaraajat ja akkukäyttöiset sähkölaitteet sisältävät ympäristölle vaarallisia materiaaleja. Älä heitä akkukäyttöisiä laitteita kotitalousjätteisiin. Jos laite on viallinen tai kulunut loppuun, ota akku pois ja lähetä se osoitteeseen ISC GmbH, Eschenstrasse 6, D-94405 Landau, tai lähetä koko akkukäyttöinen laite, jos akut on liitetty siihen erottamattomasti. Vain valmistaja voi täällä taata asianmukaisen hävittämisen.

Huolehdi akkujen tai akkukäyttöisen laitteen lähettämisessä ja hävittämisessä siitä, että ne on pakattu erikseen muovipusseihin, jotta vältetään oikosulut tai tulipalo!

Säilytä turvallisuusmääräykset huolellisesti.

3. Laitteen kuvaus (kuva 1)

1. Palaistukka
2. Valodiodilamppu
3. Lukitusnäppäin
4. Lampun päälle-/pois-katkaisin
5. Akun tehonnäyttö
6. Akun tehonnäytön painike
7. Latauksen merkkivalo
8. Latausliitäntä
9. Päälle-/pois-katkaisin
10. Kiertosuunnan vaihtokytkin V/O
11. Latauslaite
12. Latausjohto
13. Vääntömomentin säätö
14. Lukitusholkki

4. Toimituksen laajuus

Ota kaikki osat pakkauksesta ja tarkasta, että ne ovat täysilukuiset.

- Akkuruuvinväännin PASS 3.6 A1
- Latauslaite
- 26 palaa
- Palanpidike
- Laukku
- Käyttöohje

5. Määräysten mukainen käyttö

Akkuruuvinväännin soveltuu käytettäväksi ruuvien kiristämiseen ja irrottamiseen.

Konetta saa käyttää ainoastaan sille määrättyyn tarkoitukseen. Kaikkalainen tämän ylittävä käyttö ei ole määräysten mukaista. Kaikista tästä aiheutuvista vahingoista tai loukkaantumisista on vastuussa laitteen omistaja/käyttäjä eikä suinkaan sen valmistaja.

Ole hyvä ja ota huomioon, että laitteitamme ei ole suunniteltu käytettäväksi pienteollisuus-, käsityöläis- tai teollisuustarkoituksiin. Emme hyväksy mitään takuuväitteitä, jos laitetta käytetään pienteollisuus-, käsityöläis- tai teollisuustyöpaikoilla tai näihin verrattavissa olevissa toimissa.

6. Tekniset tiedot

Moottorin virransyöttö:	3,6 V tasavirta
Joutokäyntikierto/luku:	200 min ⁻¹
Kierto vasemmalle-oikealle:	kyllä
Latauslaitteen antojännite:	6,8 V tasavirta
Latauslaitteen antovirta:	550 mA
Latauslaitteen verkkojännite:	230 V~ 50 Hz
Latausaika:	3 tunti
Akkutyyppi:	Litium-ioni/1,5 Ah
Paino:	0,4 kg
Valodiodiluokka	1

Melu ja värinä

Melu- ja värinäarvot on mitattu standardin EN 60745 mukaisesti.

Äänen painetaso L_{pA}	62 dB(A)
Mittausepäätarkkuus K_{pA}	3 dB
Äänen tehotaso L_{WA}	73 dB(A)
Mittausepäätarkkuus K_{WA}	3 dB

Käytä kuulosuojuksia.

Melu saattaa aiheuttaa kuulon menetyksen.

Värinän kokonaisarvot (vektorisumma kolmesta suunnasta) mitattu standardin EN 60745 mukaisesti.

Ruuvinvääntö ilman iskua

Värinän päästöarvo $a_h \leq 2,5 \text{ m/s}^2$

Epätarkkuus $K = 1,5 \text{ m/s}^2$

Varoitus!

Ilmoitettu värinän päästöarvo on mitattu normitetun koestusmenetelmän avulla ja se saattaa muuttua, riippuen sähkötyökalun käyttötavasta ja olosuhteista, ja poikkeustapauksissa ylittää annetun arvon.

Annettua värinänpäästöarvoa voidaan käyttää vertailutarkoituksiin verrattaessa yhtä sähkötyökalua toiseen samantyyppiseen

työkaluun.

Ilmoitettua värinänpäästöarvoa voidaan myös käyttää hyväksi laadittaessa päästöjen vaikutuksen alustavaa arviointia.

Rajoita melunpäästöt ja värinä mahdollisimman vähäisiksi!

- Käytä ainoastaan moitteettomia laitteita.
- Huolla ja puhdista laite säännöllisesti.
- Sovita työskentelytapasi laitteen mukaiseksi.
- Älä ylikuormita laitetta.
- Tarkastuta laite aina tarvittaessa.
- Sammuta laite, kun sitä ei käytetä.
- Käytä suojakäsineitä.

7. Ennen käyttöönottoa

⚠ Huomio!

Lue nämä ohjeet ehdottomasti ennen akkuruuvinvääntimesi käyttöönottoa:

1. Lataa akku ainoastaan mukana toimitetulla latauslaitteella (11).
2. Käytä ainoastaan moitteettomia, sopivia ruuvinvääntöpaloja.
3. Ruuvattaessa seiniin ja muureihin tulee tutkia, onko niissä piilossa olevia sähkö-, kaasutai vesijohtoja.

8. Käyttö

8.1 Akun lataaminen (kuva 1)

Akku on suojattu latauksen täydelliseltä tyhjenemiseltä. Integroitu suojakatkaisin sammuttaa laitteen automaattisesti, kun akku on tyhjentynyt. Palaistukka (1) ei tässä tapauksessa pyöri enää.

⚠ Huomio!

Älä paina päälle-/pois-katkaisinta (9) enää sen jälkeen kun suojakytkentä on sammuttanut laitteen. Se saattaa vahingoittaa akkua.

1. Tarkasta, että tyyppikilvessä annettu verkkojännite vastaa käytettävissä olevaa verkkojännitettä. Työnnä latauslaite (11) pistorasiaan ja liitä latausjohto (12)

FI

- latausliitäntään (8). Lataaminen alkaa heti kun latausjohto on liitetty latausliitäntään.
- Latauksen merkkivalo (7) osoittaa, että akku ladataan.
 - Kun lataus on päättynyt, niin latauksen merkkivalo (7) sammuu.

⚠ Huomio!

Lataamisen aikana kahva saattaa lämmetä hieman, mutta tämä on aivan tavallista.

Jos akun lataaminen ei onnistu, ole hyvä ja tarkasta,

- onko pistorasiassa verkkojännitettä
- ovatko latauskontaktit latauslaitteeseen (11) moitteettomat.

Jos akun lataaminen ei vielääkään onnistu, ole hyvä ja lähetä

- latauslaite (11)
- sekä ruuvinväännin

tekniseen asiakaspalveluumme.

Jotta akun elinkaari olisi mahdollisimman pitkä, tulee se aina ladata uudelleen riittävän ajoissa. Lataaminen on joka tapauksessa tarpeen, kun huomaat akkuruuvinvääntimen tehon heikkenevän.

8.2 Kiertosuunnan vaihtokytkin myötä-/vastapäivään (kuva 2/nro 10)

Päälle-/pois-katkaisimen (9) yläpuolella olevalla myötä-/vastapäivään-vaihtokytkimellä (10) voit säätää akkuruuvinvääntimen kiertosuunnan sekä estää akkuruuvinvääntimen tahattoman käynnistämisen. Voit valita kiertosuunnan vasemmalle tai oikealle.

⚠ Huomio!

Vaihteiston vahingoittumisen välttämiseksi saa kiertosuuntaa vaihtaa vain laitteen ollessa pysähdyksissä. Jos kiertosuunnan vaihtokytkin (10) on keskiasennossa, niin päälle-/pois-katkaisinta (9) ei voi toimentaa.

Kiertosuunta

kierto oikealle
kierto vasemmalle

Kytkimen asento

“R” painettu sisään
“L” painettu sisään

8.3 Päälle-/pois-katkaisin (kuva 2/nro 9)

Käynnistä akkuruuvinväännin painamalla päälle-/pois-katkaisinta (9). Pysäytä se päästämällä päälle-/pois-katkaisin jälleen irti.

8.4 Valodiodilamppu (kuva 1/kohta 2)

Valodiodilampun (2) avulla voit valaista ruuvauskohdan, kun valaistusolosuhteet ovat epäedulliset. Kytke lamppu päälle painamalla päälle-/pois-katkaisinta (4), sammuta lamppu painamalla päälle-/pois-katkaisinta (4) uudelleen.

8.5 Kahvan säätö (kuvat 1,2/nro 3)

Ruuvinväännin voidaan lukita 2 eri kahvan asentoon. Tätä varten on painettava lukituspainiketta (3) ja käännettävä ruuvinväännin haluttuun asentoon. Sen jälkeen päästetään lukituspainike (3) jälleen irti.

⚠ Huomio!

Ennen käynnistystä tarkasta, että ruuvinväännin on lukittunut senhetkiseen kahvan asentoon.

8.6 Akun tehonnäyttö (kuva 4/nro 5)

Paina akun tehonnäytön painiketta (6). Akun tehonnäyttö (5) ilmoittaa akun lataustilan 3 värillisen valodiodin avulla.

Kaikki valodiodit palavat:

Akku on ladattu täyteen.

Keltainen ja punainen valodiodi palavat:

Akussa on vielä riittävästi tehoa.

Punainen valodiodi:

Akku on tyhjä, lataa akku uudelleen.

8.7 Työkalun vaihto (kuva 5)**⚠ Huomio!**

Aseta kaikkien toimien (esim. työkalunvaihdon, huollon jne.) ajaksi akkuruuvaimen kiertosuuntakytkin (10) keskiasentoon.

- Vedä lukitusholkki (14) taakse ja pidä se paikallaan.
- Työnnä pala (a) palaistukkaan (1), päästä lukitusholkki (14) irti.
- Tarkasta lukittuminen vetämällä työkalusta.
- Ota pala (a) pois vetämällä lukitusholkkia

- (14) taaksepäin ja pitämällä se vedettynä.
- Ota pala (a) pois ja päästä lukitusholkki (14) jälleen irti.

8.8 Vääntömomentin säätö (kuva 1/nro 13)

⚠ Huomio!

Säädä vääntömomentti vain ruuvinvääntimen ollessa pysähdyksissä. Akkuruuvinväännin on varustettu mekaanisella vääntömomentin säädöllä.

Tietyn ruuvikoon vääntömomentti säädetään vääntömomentin säätölaitteesta (13). Tarvittava vääntömomentti on riippuvainen useammasta tekijästä:

- Työstettävän materiaalin lajista ja kovuudesta.
- Käytettyjen ruuvien tyypistä ja pituudesta.
- Niistä vaatimuksista, jotka koskevat ruuviliitosta.

Vääntömomentin saavuttaminen ilmenee kytkimen irrottamisella.

8.9 Ruuvit

Käytä parhaiten itsekeskittyviä ruuveja (esim. torx- tai ristikantaruuveja), koska ne takaavat turvallisen työskentelyn.

Huolehdi siitä, että käytetty pala ja ruuvi sopivat yhteen muotonsa ja kokonsa puolesta.

8.10 Ruuvinvääntimen ylikuormitus

Jos ruuvinväännintä kuormitetaan liikaa, niin turvasammutus sammuttaa laitteen.

Ruuvinväännintä voi käyttää jälleen muutaman sekunnin kuluttua.

9. Puhdistus, huolto ja varaosatilaus

⚠ Huomio!

Irrota verkkopistoke ennen kaikkia puhdistustoimia.

9.1 Puhdistus

- Pidä turvalaitteet, ilmaraot ja moottorin kotelo niin puhtaina pölystä ja liasta kuin suinkin mahdollista. Pyyhi laite puhtaalla rievulla tai puhalla lika pois paineilmalla käyttäen alhaista paineasetusta.
- Suosittelemme laitteen puhdistamista aina heti käytön jälkeen.
- Puhdista laite säännöllisin väliajoin kostealla rievulla käyttäen hieman saippuaa. Älä käytä puhdistusaineita tai liuotteita; ne saattavat syövyttää laitteen muoviosia. Huolehdi siitä, ettei laitteen sisälle pääse vettä.

9.2 Huolto

Laitteen sisällä ei ole muita huoltoja tarvitsevia osia.

9.3 Varaosatilaus:

Varaosatilausta tehtäessä tulee antaa seuraavat tiedot:

- laitteen tyyppi
- laitteen tuotenumero
- laitteen tunnusnumero

Aktuellit hinnat ja muita tietoja löydät verkkosivustosta www.isc-gmbh.info

FI

10. Käytöstäpoisto ja uusiokäyttö

Laitte on pakattu kuljetuspakkaukseen, jotta vältetään kuljetusvauriot. Tämä pakkaus on raaka-ainetta ja sitä voi siksi käyttää uudelleen tai sen voi toimittaa kierrätyksen kautta takaisin raaka-ainekierto. Laitte ja sen varusteet on valmistettu eri materiaaleista, kuten esim. metallista ja muoveista.

Toimita vialliset rakenneosat ongelmajätehävitykseen. Tiedustele ohjeita alan ammattiliikkeestä tai kunnanhallitukselta!



Koskee ainoastaan EU-maita

Älä heitä sähkötyökaluja kotitalousjätteisiin!

Euroopan direktiivin 2002/96/EY loppuunkäytetyistä sähkö- ja elektronisista laitteista ja sen kansalliseksi laiksi muuntamisen mukaan tulee käytetyt sähkötyökalut koota erikseen ja toimittaa ne ympäristöystävälliseen kierrätykseen.

Kierrätysvaihtoehto takaisinlähetykselle: Sähkölaitteen omistaja on veloitettu laitteen palauttamisen vaihtoehtona vaikuttamaan siihen, että hänen luovuttamansa omaisuus hävitetään asianmukaisesti. Loppuun käytetty laite voidaan tätä varten luovuttaa myös keräyspisteeseen, joka suorittaa sen käytöstäpoiston kansallisten kierrätystalous- ja jätehuoltolakien tarkoittamalla tavalla. Tämä ei koske käytettyihin laitteisiin liitettjä lisävarusteita ja apuvälineitä, joissa ei ole sähköosia.

11. Standardinmukaisuustodistus

Einhell Germany AG · Wiesenweg 22 · D-94405 Landau/Isar



Konformitätserklärung

- erklärt folgende Konformität gemäß EU-Richtlinie und Normen für Artikel
 explains the following conformity according to EU directives and norms for the following product
 déclare la conformité suivante selon la directive CE et les normes concernant l'article
 dichiara la seguente conformità secondo la direttiva UE e le norme per l'articolo
 verklaart de volgende overeenstemming conform EU richtlijn en normen voor het product
 declara la siguiente conformidad a tenor de la directiva y normas de la UE para el artículo
 declara a seguinte conformidade, de acordo com a directiva CE e normas para o artigo
 atterer følgende overensstemmelse i medfør af EU-direktiv samt standarder for artikel
 förklarar följande överensstämmelse enl. EU-direktiv och standarder för artikeln
 vakuuttaa, että tuote täyttää EU-direktiivin ja standardien vaatimukset
 tõendab toote vastavust EL direktiivile ja standarditele
 vydává následující prohlášení o shodě podle směrnice EU a norem pro výrobek
 potrjuje sledeću skladnost s smernico EU in standardi za izdelek
 vydáva nasledujúce prehlásenie o zhode podľa smernice EÚ a noriem pre výrobok
 a cikkekhez az EU-irányvonal és Normák szerint a következő konformitást jelenti ki
 deklaruje zgodność wymienionego poniżej artykułu z następującymi normami na podstawie dyrektywy WE.
 декларира съответното съответствие съгласно Директива на ЕС и норми за артикул
 paskaidro šādu atbilstību ES direktīvai un standartiem
 apibūdina šj atitikimą EU reikalavimams ir prekės normoms
 declară următoarea conformitate conform directivei UE și normelor pentru articolul
 δηλώνει την ακόλουθη συμμόρφωση σύμφωνα με την Οδηγία ΕΚ και τα πρότυπα για το προϊόν
 potvrđuje sljedeću usklađenost prema smjernicama EU i normama za artikl
 Izjava o sukladnosti za ovaj proizvod dostupna je na internet stranici www.lidl.hr.
 potvrđuje sljedeću usklađenost prema smjernicama EU i normama za artikl
 potvrđuje sledeću usklađenost prema smernicama EZ i normama za artikal
 следующим удостоверяется, что следующие продукты соответствуют директивам и нормам ЕС
 проголошує про зазначену нижче відповідність виробу директивам та стандартам ЄС на виріб
 Ürünü ile ilgili AB direktifleri ve normları gereğince aşağıda açıklanan uygunluğu belirtir
 erklærer følgende samsvar i henhold til EU-direktivet og standarder for artikkel
 Lýsir uppfyllingu EU-reglna og annarra staða vöru

Akkuschrauber PASS 3,6 A1 / Ladegerät LG PASS 3,6 A1 (Parkside)

- | | |
|---|--|
| <input type="checkbox"/> 87/404/EC_2009/105/EC | <input checked="" type="checkbox"/> 2006/42/EC |
| <input type="checkbox"/> 2005/32/EC_2009/125/EC | <input type="checkbox"/> Annex IV
Notified Body:
Notified Body No.:
Reg. No.: |
| <input type="checkbox"/> 2006/95/EC | |
| <input type="checkbox"/> 2006/28/EC | |
| <input checked="" type="checkbox"/> 2004/108/EC | <input type="checkbox"/> 2000/14/EC_2005/88/EC |
| <input type="checkbox"/> 2004/22/EC | <input type="checkbox"/> Annex V |
| <input type="checkbox"/> 1999/5/EC | <input type="checkbox"/> Annex VI
Noise: measured L_{WA} = dB (A); guaranteed L_{WA} = dB (A)
P = KW; L/Ø = cm
Notified Body: |
| <input type="checkbox"/> 97/23/EC | |
| <input type="checkbox"/> 90/396/EC_2009/142/EC | |
| <input type="checkbox"/> 89/686/EC_96/58/EC | <input type="checkbox"/> 2004/26/EC
Emission No.: |
| <input checked="" type="checkbox"/> 2011/65/EC | |

Standard references: EN 60745-1; EN 60745-2-2; EN 55014-1;
EN 55014-2; EN 60335-1; EN 60335-2-29; EN 61000-3-2; EN 61000-3-3

Landau/Isar, den 22.09.2011

Weichselgartner/General Manager

Unger/Product-Management

First CE: 08
Art.-No.: 45.134.23 I.-No.: 11031
Subject to change without notice

Archive-File/Record: NAPR004730
Documents registrar: Georg Riedel
Wiesenweg 22, D-94405 Landau/Isar

12. TAKUUTODISTUS

Arvoisa asiakas,

tuotteemme läpikäyvät erittäin tiukan laadunvalvontatarkastuksen. Mikäli tämä laite ei kuitenkaan toimi moitteettomasti, valitamme tapahtunutta suuresti ja pyydämme sinua kääntymään teknisen asiakaspalvelumme puoleen käyttäen tässä takuukortissa annettua osoitetta. Voit halutessasi myös ottaa yhteyttä puhelimitse allaolevaan palvelunumeroon. Takuuvaateiden esittämistä koskevat seuraavat säädökset:

1. Nämä takuumääräykset koskevat laajennettuja takuusuorituksia. Ne eivät vaikuta lakimääräisiin takuusuoritusvaateisiin millään tavalla. Takuumme on sinulle maksuton.
2. Takuusuoritus kattaa ainoastaan sellaiset puutteellisuudet, jotka aiheutuvat materiaali- tai valmistusvirheistä, ja se on rajattu ainoastaan näiden puutteellisuuksien korjaamiseen tai laitteen korvaamiseen uudella. Ole hyvä ja ota huomioon, että laitteitamme ei ole suunniteltu ja valmistettu käytettäväksi pienteollisuus-, käsityöläis- tai teollisuustarkoituksiin. Takuusopimusta ei siksi synny, jos laitetta käytetään pienteollisuus-, käsityöläis- tai teollisuustyöpaikoilla tai näihin verrattavissa olevissa toimissa. Takuumme ei myöskään sisällä kuljetusvaurioiden tai sellaisten vaurioiden korvaussuorituksia, jotka ovat aiheutuneet asennusohjeen noudattamatta jättämisestä tai asiantuntemattomasta asennuksesta, käyttöohjeen noudattamatta jättämisestä (esim. liitäntä vääryntyyppiseen verkkovirtaan), väärinkäytöstä tai virheellisestä käytöstä (esim. laitteen ylikuormittaminen tai hyväksymättömien työkalujen tai lisävarusteiden käyttäminen), huolto- ja turvallisuusmääräysten noudattamatta jättämisestä, vieraiden esineiden (esim. hiekan, kivien tai pölyjen) pääsystä laitteen sisään, väkivaltaisesta käsittelystä tai ulkopuolisista tekijöistä (esim. putoamisesta aiheutuneet vauriot) sekä käytöstä aiheutuvasta tavallisesta kulumisesta. Tämä koskee erityisesti niitä akkuja, joille me kuitenkin myönnämme 12 kuukauden pituisen takuun.

Takuuvaateet raukeavat, jos laitteelle on jo tehty jotain toimenpiteitä.

3. Takuuaika on 3 vuotta ja se alkaa laitteen ostopäivästä. Takuuvaateet tulee esittää ennen takuuajan päättymistä kahden viikon kuluessa siitä, kun olet havainnut vian. Takuuvaateiden esittäminen takuuajan päätyttyä ei ole mahdollista. Laitteen korjaus tai vaihto ei johda takuuajan pitenemiseen tai laitteen tai siihen mahdollisesti asennettujen varaosien takuuajan alkamiseen uudelleen alusta. Tämä koskee myös paikan päällä suoritettuja palveluja.
4. Takuuvaateesi esittämiseksi tulee viallinen laite lähettää postikulut maksettuna allaolevaan osoitteeseen. Ole hyvä ja liitä mukaan alkuperäinen maksukuitti tai muu päiväyksellä varustettu ostotosite. Säilytä tämän vuoksi kassakuitti huolella tositteenä! Ole hyvä ja kuvaa valituksen syy meille mahdollisimman tarkoin. Jos takuumme kattaa laitteessa olevan vian, saat korjatun tai uuden laitteen välittömästi takaisin.

Tietysti korjaamme mielellämme korvausta vastaan myös sellaiset laitteiden viat, jotka eivät kuulu tai eivät enää kuulu takuumme piiriin. Lähetä tätä varten laite tekniseen asiakaspalveluumme allaolevalla osoitteella.

Kauppahuone Harju OY
Myllypuronkatu 2
FIN-33330 Tampere
Tel. 0358 207431330 · Fax 0358 207431320



Innehållsförteckning

Sida

1. Inledning	33
2. Säkerhetsanvisningar	33-37
3. Beskrivning av maskinen	37
4. Leveransomfattning	37
5. Ändamålsenlig användning	37-38
6. Tekniska data.....	38
7. Innan du använder maskinen	38
8. Använda maskinen	39-40
9. Rengöring, underhåll och reservdelsbeställning	40
10. Skrotning och återvinning	41
11. Förklaring om överensstämmelse.....	42
12. Garantibevis.....	43

Eftertryck eller annan duplicering av dokumentation och medföljande underlag för produkterna, även utdrag, är endast tillåtet med uttryckligt tillstånd från ISC GmbH.

Med förbehåll för tekniska ändringar.



“VARNING – Läs igenom bruksanvisningen för att sänka risken för skador”

1. Inledning

⚠ Obs!

Innan produkten kan användas måste särskilda säkerhetsanvisningar beaktas för att förhindra olyckor och skador. Läs därför noggrant igenom denna bruksanvisning. Förvara den på ett säkert ställe så att du alltid kan hitta önskad information. Om produkten ska överlåtas till andra personer måste även denna bruksanvisning medfölja. Vi övertar inget ansvar för olyckor eller skador som har uppstått om denna bruksanvisning eller säkerhetsanvisningarna åsidosätts.

2. Säkerhetsanvisningar

Allmänna säkerhetsanvisningar för elverktyg

⚠ WARNING!

Läs alla säkerhetsanvisningar och instruktioner.

Försummelse vid iakttagandet av säkerhetsanvisningarna och instruktionerna kan förorsaka elstöt, brand och/eller svåra skador.

Förvara alla säkerhetsanvisningar och instruktioner för framtiden.

Det i säkerhetsanvisningarna använda begreppet „Elektrisk handmaskin“ hänför sig till systemdrivna elektriska handmaskiner (med anslutningskabel) och batteridrivna elektriska handmaskiner (utan anslutningskabel).

1. Arbetsplatssäkerhet

- **Håll er arbetsplats ren och väl upplyst.**
Oordning på arbetsplatsen eller arbetsplatser utan belysning kan leda till olyckor.
- **Använd inte denna maskin i explosiv miljö där brännbara vätskor, gaser eller damm finns.**
Elverktyg genererar gnistor som kan antända damm eller ångor.
- **Se till att barn och andra personer inte befinner sig i närheten av elverktyget**

när detta används.

Om du distraheras finns det risk för att du förlorar kontrollen över maskinen.

2. ELEKTRISK SÄKERHET

- **Maskinens stickkontakt måste passa i stickuttaget. Stickkontakten får aldrig ändras på något sätt. Använd inga adapterstickkontakter till jordad utrustning.**
Riskerna för elektriska slag är lägre om stickkontakterna inte har ändrats och om passande stickuttag används.
- **Undvik kroppskontakt med jordade ytor, t ex rör, radiatorer, spisar och kylskåp.**
Det finns större risk för elektriska slag om din kropp är elektriskt jordad.
- **Se till att maskinen inte utsätts för regn eller annan fukt.**
Om vatten tränger in i ett elverktyg höjs risken för elektriska slag.
- **Använd endast kabeln till de syften den är avsedd för, dvs. använd inte kabeln till att bära eller hänga upp maskinen, eller till att dra ut stickkontakten ur stickuttaget. Se till att kabeln inte kommer i närheten av värme, olja, skarpa kanter eller rörliga maskindelar.**
Om kabeln har skadats eller snotts runt, höjs risken för elektriska slag.
- **Om du jobbar med ett elverktyg utomhus, får du endast använda en förlängningskabel som är godkänd för utomhusbruk.**
Med en förlängningskabel som har godkänts för utomhus sänks risken för elektriska slag.
- **Om den elektriska handmaskinen bör användas i fuktig omgivning, är det viktigt att ni använder er av en jordfelsbrytare.** Jordfelsbrytaren minskar elstötrisen.

3. SÄKERHET FÖR PERSONER

- **Var uppmärksam och var medveten om vilka arbetsuppgifter du vill utföra. Var försiktig när du hanterar elverktyget.**
Använd aldrig maskinen om du är trött eller om du är påverkad av droger, alkohol eller läkemedel.

SE

Ett ögonblicks uppmärksamhet när du använder maskinen kan leda till allvarliga personskador.

- **Bär personlig skyddsutrustning och alltid skyddsglasögon.**

Om du bär personlig skyddsutrustning, t ex ansiktsmask, halkfria skyddsskor, skyddshjälm eller hörselskydd, beroende på typ och användning av elverktyg, kan risken för personskador sänkas.

- **Undvik oavsiktlig start av maskinen. Försäkra er om, att den elektriska handmaskinen är urkopplad, innan ni ansluter den till strömförsörjningen och/eller batteriet, tar upp den eller bär den.**

Det finns risk för olyckor om du håller ett finger på strömbrytaren medan du bär maskinen, eller om strömbrytaren är tillslagen när du ansluter maskinen till elnätet.

- **Ta bort inställningsverktygen eller nycklarna innan du slår på maskinen.**

Ett verktyg eller en nyckel som sitter i en roterande del kan leda till personskador.

- **Undvik en abnormal arbetsställning. Se till att ni står säkert och håll hela tiden jämvikten.**

Därigenom kan du bättre kontrollera maskinen i en oväntad situation.

- **Bär lämpliga kläder. Bär aldrig löst sittande kläder eller smycken. Se till att hår, kläder och handskar inte befinner sig i närheten av rörliga delar.**

Lösa kläder, smycken eller långt hår kan fastna i rörliga delar.

- **Om dammsugare och anläggningar för dammupptagning kan monteras, måste man övertyga sig om att dessa har anslutits och används på föreskrivet sätt.**

Användning av en dammutsugning kan förminska faror förorsakade av damm.

4. Användning och behandling av den elektriska handmaskinen

- **Överbelasta inte ditt verktyg. Använd endast elverktyget till avsedda arbetsuppgifter.**

Ett passande elverktyg fungerar bäst och

säkrast inom det angivna effektområdet.

- **Använd aldrig elverktyget om strömbrytaren är defekt.**

Ett elverktyg som inte längre kan slås på resp. ifrån är farlig och måste därför repareras.

- **Dra ut stickproppen ur eluttaget och/eller ta bort batteriet, innan ni börjar att inställa apparaten, byter tillbehör eller lägger undan apparaten.**

Denna försiktighetsåtgärd förhindrar att maskinen startar oavsiktligt.

- **När ett elverktyg inte används ska det förvaras utom räckhåll för barn. Låt endast sådana personer använda maskinen, som känner till maskinen och som har läst igenom dessa anvisningar.**

Elverktyg är farliga om de används av oerfarna personer.

- **Vårda din maskin noggrant. Kontrollera att rörliga delar fungerar på avsett vis och inte kläms fast, om delar har brutits loss eller har skadats så svårt att maskinens funktion är begränsad.**

Lämna in maskinen för reparation av skadade delar innan du använder maskinen.

Många olyckor kan härledas till dåligt underhåll på elverktyg.

- **Se till att skärverktygen är vassa och rena.**

Skärverktyg som underhålls noggrant och som har vassa skär kläms inte fast så fort och underlättar dessutom arbetet.

- **Använd den elektriska handmaskinen, tillbehör för verktyg osv. på ett sätt som motsvarar dessa instruktioner. Ta därvid hänsyn till arbetsförhållandena och arbetsuppgifterna som ska utföras.**

Om elverktyg används till andra ändamål än de som är avsedda, finns det risk för att farliga situationer uppstår.

5. Använda och hantera det batteridrivna verktyget

- **Ladda endast batterierna i laddare som rekommenderats av tillverkaren.** Det finns risk för brand om ett batteri laddas i en laddare som inte är avsedd för denna typ av batterier.

- **Använd endast avsedda batterier i elverktygen.** Om andra batterier används finns det risk för personskador och brandfara.
- **Förvara batterier som inte används på tillräckligt avstånd från gem, mynt, nycklar, spik, skruvar och andra metallföremål som kan förorsaka en elektrisk överbrygning mellan kontakterna.** En kortslutning mellan batteriets kontakter kan leda till brännskador eller brand.
- **Vid felaktig användning finns det risk för att batterivätska läcker ut ur batteriet. Undvik kontakt med denna vätska. Om du av misstag kommer åt sådan vätska måste du genast spola av med vatten. Om vätskan har kommit in i ögonen måste du dessutom kontakta läkare.** Batterivätska som har läckt ut kan förorsaka hudirritation eller brännskador.

6. SERVICE

- **Låt endast kvalificerad fackpersonal reparera maskinen. Endast original-reservdelar kommer till användning.** Därmed kan man garantera att maskinen fortfarande är säker.

Håll fast maskinen vid de isolerade handtagen när du utför arbeten och det finns risk för att skruven eller insatsverktyget kommer i kontakt med dolda strömkablar. Kontakt med en spänningsförande ledning kan innebära att även maskinens metalldelar är under spänning vilket leder till elektriskt slag.

Särskilda säkerhetsanvisningar

Vi tillverkar varje batteripaket mycket noggrant. Därmed kan vi garantera att batterierna som du använder har maximal energitäthet, livslängd och säkerhet. Battericellerna har flera säkerhetsfunktioner på olika nivåer. Efter att varje enstaka cell har formaterats registreras dess elektriska parametrar. Dessa data används därefter för att kunna gruppera optimala batteripaket. **Trots alla säkerhetsåtgärder måste man alltid hantera**

batterierna varsamt. För en säker drift måste följande punkter tvunget beaktas. En säker drift är endast möjlig om battericellerna är intakta! En felaktig hantering leder till skador på cellerna.

Obs! Olika analyser har bekräftat att en felaktig användning och bristfällig skötsel ofta är en orsak till skador på högeffektbatterier.

Anvisningar för hantering av batteriet

- Batteriet som medföljer den batteridrivna produkten är inte uppladdat. Det måste därför laddas upp innan du kan använda det för första gången.
- För bästa möjliga batteriprestanda bör du undvika djupa urladdningscykler. Ladda batteriet ofta.
- Förvara ditt batteri på en sval plats, helst vid 15°C, och håll det uppladdat till 40 %.
- Litiumjon-batterier är utsatta för en naturlig åldring. Batteriet måste bytas ut senast när kapaciteten uppgår till endast 80 % av ett nytt batteri. Svaga celler i ett förbrukat batteri kan inte längre uppfylla de effektkraven och utgör därmed en säkerhetsrisk.
- Kasta aldrig förbrukade batterier i eld. Explosionsfara!
- Sätt inte eld på batteriet och förbränn det inte.
- **Batterier får inte djupurladdas!** En djupurladdning skadar battericellerna. Den vanligaste orsaken till djupurladdning är att batterierna har förvarats för lång tid eller att delvis urladdade batterier inte har använts. Avbryt arbetet när du märker att effekten i elverktyget avtar markant eller om skyddselektroniken löser ut. Batteriet får endast läggas undan för förvaring efter att det har laddats upp komplett.
- **Skydda batterier och verktyg mot överbelastning!** Överbelastning leder snabbt till överhettning och skador på cellerna i batterihöljets inre. Överhettningen märks inte av på utsidan.
- **Undvika skador och slag!** Byt genast ut batterier som har fallit ned från en meters höjd eller mer, eller som har utsatts för kraftiga slag. Detta gäller även

SE

om batteriets hölje verkar vara oskadat. Battericellerna i batteriets inre kan vara allvarligt skadade. Beakta även instruktionerna för hantering av förbrukade batterier.

- Vid överbelastning och överhettning kopplar den integrerade säkerhetsfrånkopplingen ifrån elverktyget av skyddsskäl. **Varning!** Fortsätt inte att trycka in strömbrytaren efter att skyddskretsen har slagit ifrån elverktyget. Detta kan leda till skador på batteriet.
- Använd endast original-batterier. Om andra batterier används finns det risk för personskador, explosion och brandfara.

Anvisningar för laddare och laddning

- Använd den medföljande laddaren endast till att ladda laddningsbara batterier.
- Beakta uppgifterna som anges på laddarens typskylt. Anslut laddaren endast till sådan nätspänning som anges på typskylten.
- Skydda laddaren och ledningen mot skador och vassa kanter. Skadade kablar måste genast bytas ut av en behörig elinstallatör.
- Laddaren är inte avsedd att användas av personer (inkl. barn) med begränsad fysisk, sensorisk eller mental förmåga eller bristfällig erfarenhet och/eller kunskap, såvida inte en person som ansvarar för säkerheten håller uppsikt eller ger instruktioner om korrekt användning av apparaten.
- Barn ska hållas under uppsikt för att säkerställa att de inte använder apparaten som leksak.
- Använd inga skadade laddare.
- Använd inte den medföljande laddaren för att ladda andra batteridrivna produkter.
- Batteriet värms upp vid alltför stor belastning. Låt batteriet svalna till rumstemperatur innan du laddar det.
- **Batterier får inte överladdas!** Beakta de maximala laddningstiderna. Dessa laddningstider gäller endast för urladdade batterier. Om ett batteri som är uppladdat, antingen helt eller delvis, ansluts flera gånger kommer detta att leda till överladdning, samtidigt som cellerna

skadas. Låt inte batterierna sitta kvar i laddaren i flera dagar.

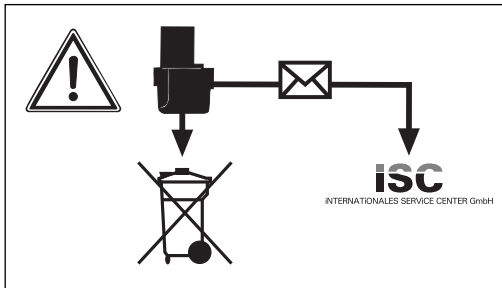
- **Använd och ladda aldrig batterier om du tror att de inte har laddats under senaste 12 månaderna.** Det finns hög risk för att batteriet redan har omfattande skador (djupurladdning).
- Om batteriet laddas vid en temperatur under 10°C kommer cellerna att skadas kemiskt. Detta kan leda till brand.
- Använd inga batterier som har värmts upp under laddningen. Det finns risk för att battericellerna har skadats.
- Använd inga batterier som har deformerats under laddning, eller som uppvisar andra otypiska symptom (läckande gas, knackande eller väsande ljud).
- Ladda inte ur batteriet helt (rekommenderad urladdning max. 80 %). En komplett urladdning leder till att battericellerna åldras i förtid.
- Lämna aldrig batterierna utan uppsikt medan de laddas!

Skydda mot miljöpåverkan

- Bär lämpliga arbetskläder. Använd skyddsglasögon.
- **Skydda din batteridrivna produkt och laddaren mot fukt och regn.** Fukt och regn kan leda till farliga skador på battericellerna.
- Använd inte den batteridrivna produkten i närheten av ångor eller brännbara vätskor.
- Använd laddaren och batteridrivna produkter endast i torrt skick och vid en omgivningstemperatur mellan 10 och 40°C.
- Förvara inte batteriet på platser som kan uppnå en temperatur över 40°C, i synnerhet inte i fordon som har parkerats i solen.
- **Skydda batterierna mot överhettning!** Överbelastning, överladdning eller solstrålning leder till överhettning och skador på cellerna. Ladda inte och använd inte batterier som har överhettats – byt genast ut dem.
- **Förvaring av batterier, laddare och batteridrivna produkter.** Förvara laddaren och din batteridrivna produkt endast i torra utrymmen vid en omgivningstemperatur mellan 10 och 40°C. Förvara litiumjon-

batteriet svalt och torrt vid 10-20°C.
Skyddas mot luftfuktighet och direkt solstrålning. Förvara batterierna endast i laddat skick (min. 40 % uppladdat).

- Förhindra att litiumjon-batteriet fryser till. Batteriet som har lagrats längre än 60 minuter under 0°C måste kastas.
- Var försiktig när du hanterar batterier med tanke på den elektrostatisk laddningen: elektrostatiska urladdningar leder till skador på skyddselektroniken och battericellerna! Undvik därför tvunget att elektrostatisk uppladdning uppstår och rör aldrig vid batteriets poler!



Laddningsbara batterier och batteridrivna elverktyg innehåller miljöfarliga material. Kasta inte batteridrivna produkter i hushållssoporna. Om produkten är defekt eller sliten, ta ut batteriet och skicka in det till iSC GmbH, Eschenstraße 6, D-94405 Landau, Tyskland, eller skicka in det kompletta batteridrivna verktyget om batteriet inte kan demonteras. Endast tillverkaren kan garantera en föreskriven avfallshantering.

När du returnerar eller avfallshanterar batterier eller batteridrivna produkter, måste du se till att dessa förpackas separat i plastpåsar för att undvika kortslutningar eller brand!

Förvara säkerhetsanvisningarna på ett säkert ställe.

3. Beskrivning av maskinen (bild 1)

1. Bitsfäste
2. LED-ljus
3. Låsknapp
4. Strömbrytare för lampa
5. Kapacitetsindikering för batteriet
6. Knapp för kapacitetsindikering för batteriet
7. Laddningskontrollampa
8. Laddningsuttag
9. Strömbrytare
10. Omkopplare för rotationsriktning
11. Laddare
12. Laddningskabel
13. Vridmomentsinställning
14. Chuckhylsa

4. Leveransomfattning

Ta ut alla delar ur förpackningen och kontrollera att allt är komplett.

- Batteridrivna skruvdragare PASS 3.6 A1
- Laddare
- 26 st bits
- Bitshållare
- Transportväska
- Bruksanvisning

5. Ändamålsenlig användning

Den batteridrivna skruvdragaren är avsedd för att dra åt och lossa på skruvar.

Maskinen får endast användas till sitt avsedda ändamål. Användningar som sträcker sig utöver detta användningsområde är ej ändamålsenliga. För materialskador eller personskador som resulterar av sådan användning ansvarar användaren själv. Tillverkaren övertar inget ansvar.

Tänk på att våra produkter endast får användas till ändamålsenligt syfte och inte har konstruerats för yrkesmässig, hantverksmässig eller industriell användning. Vi ger därför ingen

SE

garanti om produkten används inom yrkesmässiga, hantverksmässiga eller industriella verksamheter eller vid liknande aktiviteter.

6. Tekniska data

Spänningsförsörjning motor	3,6 V DC
Tomgångs-varvtal	200 min ⁻¹
Höger-/vänstergång	ja
Utgångsspänning laddare	6,8 V DC
Utgångsström laddare	550 mA
Nätspänning laddare	230 V~ 50 Hz
Laddningstid	3 tim
Batterityp	Li-Ion/1,5 Ah
Vikt	0,4 kg
LED-klass	1

Buller och vibration

Buller- och vibrationsvärden har bestämts enligt EN 60745.

Ljudtrycksnivå L_{pA}	62 dB(A)
Osäkerhet K_{pA}	3 dB
Ljudeffektnivå L_{WA}	73 dB(A)
Osäkerhet K_{WA}	3 dB

Bär hörselskydd.

Buller kan leda till att hörseln förstörs.

Totala vibrationsvärden (vektorsumma i tre riktningar) har bestämts enligt EN 60745.

Skruvdragning utan slag

Vibrationsemissionsvärde $a_h \leq 2,5 \text{ m/s}^2$

Osäkerhet $K = 1,5 \text{ m/s}^2$

Varning!

Vibrationsemissionsvärdet som anges har mätts upp med en standardiserad provningsmetod och kan variera beroende på vilket sätt som elverktyget används. I undantagsfall kan det faktiska värdet avvika från det angivna värdet.

Vibrationsemissionsvärdet som anges kan användas om man vill jämföra olika elverktyg.

Vibrationsemissionsvärdet som anges kan även användas för en första bedömning av inverkan från elverktyget.

Begränsa uppkomsten av buller och vibration till ett minimum!

- Använd endast intakta maskiner.
- Underhåll och rengör maskinen regelbundet.
- Anpassa ditt arbetssätt till maskinen.
- Överbelasta inte maskinen.
- Lämna in maskinen för översyn vid behov.
- Slå ifrån maskinen om den inte används.
- Bär handskar.

7. Innan du använder maskinen

⚠ Obs!

Läs tvunget igenom dessa anvisningar innan du använder den batteridrivna skruvdragaren:

1. Ladda batteriet endast med den medföljande laddaren (11).
2. Använd endast intakta och lämpliga bits.
3. Innan du skruvar i väggar och murar måste du kontrollera om dessa innehåller kablar eller gas- eller vattenledningar.

8. Använda maskinen

8.1 Ladda batteriet (bild 1)

Batteriet är skyddat mot djupurladdning. En integrerad skyddskrets slår ifrån skruvdragaren automatiskt om batteriet har laddats ur. Bitsfästet (1) roterar då inte längre.

⚠ Obs!

Fortsätt inte att trycka in strömbrytaren (9) efter att skyddskretsen har slagit ifrån skruvdragaren. Detta kan leda till skador på batteriet.

1. Kontrollera att nätspänningen som anges på typskylten stämmer överens med nätspänningen i vägguttaget. Sätt in laddaren (11) i stickuttaget och anslut laddningskabeln (12) till laddningsuttaget (8). Laddningen startar genast efter att laddningskabeln har anslutits till laddningsuttaget.
2. Laddningskontrolllampan (7) indikerar att batteriet laddas.
3. Efter att batteriet har laddats upp slocknar laddningskontrolllampan (7).

⚠ Obs!

Medan batteriet laddas upp blir handtaget varmt. Detta är dock normalt.

Om batteriet inte kan laddas upp, måste du kontrollera

- att nätspänning finns i vägguttaget
- att det finns fullgod kontakt vid laddningskontaktarna i laddaren (11).

Om batteriet fortfarande inte kan laddas upp, måste du skicka in

- laddaren (11)
- skruvdragaren

till vår kundtjänstavdelning.

För att batteriets livslängd ska bli så lång som möjligt måste du alltid ladda upp batteriet i god tid. Detta är alltid nödvändigt om du märker att den batteridrivna skruvdragarens prestanda börjar försvagas.

8.2 Omkopplare för höger-/vänstergång (bild 2/pos. 10)

Ställ in maskinens rotationsriktning med omkopplaren för vänster-/högergång (10) ovanför strömbrytaren (9). Denna omkopplare kan du även använda för att skydda maskinen mot oavsiktlig inkoppling. Du kan välja mellan vänster- och högergång.

⚠ Obs!

För att undvika att maskinens växel förstörs, bör du endast skifta rotationsriktning medan maskinen står stilla. Om omkopplaren för vänster-/högergång (10) står i mellersta läget är strömbrytaren (9) blockerad.

Rotationsriktning

högergång
vänstergång

Omkopplarens läge

“R” intryckt
“L” intryckt

8.3 Strömbrytare (bild 2/pos. 9)

Tryck in strömbrytaren (9) för att slå på den batteridrivna skruvdragaren. Släpp strömbrytaren för att stoppa skruvdragaren.

8.4 LED-lampa (bild 1/pos. 2)

Du kan använda LED-lampan (2) för att få bättre belysning där du ska skruva. Tryck in strömbrytaren (4) för att slå på lampan. Tryck en gång till på strömbrytaren (4) för att slå ifrån lampan.

8.5 Ställa in handtaget (bild 1, 2/pos. 3)

Skruvdragarens handtag kan spärras i två olika vinkellägen. Tryck in låsknappen (3) och vrid sedan skruvdragaren till avsett läge. Släpp sedan låsknappen (3).

⚠ Obs!

Kontrollera att skruvdragarens handtag har spärrats innan du tar den i drift.

8.6 Kapacitetsindikering för batteriet (bild 4/pos. 5)

Tryck på knappen (6) för indikering av batteriets kapacitet. Kapacitetsindikeringen (5) visar batteriets laddningsnivå med tre kulörta lysdioder.

SE**Samtliga lysdioder är tända:**

Batteriet är fulladdat.

Gula och röda lysdioder är tända:

Batteriet har tillräcklig restkapacitet.

Röd lysdiod:

Batteriet är tomt, ladda upp batteriet.

8.7 Byta verktyg (bild 5)**⚠ Obs!**

Inför alla arbeten (t ex byte av verktyg, underhåll) på den batteridrivna skruvdragaren måste omkopplaren för vänster-/högergång (10) ställas i mittläge.

- Dra tillbaka chuckhysan (14) och håll fast den.
- Sätt in bitsen (a) i bitsfästet (1) och släpp sedan chuckhysan (14).
- Dra i verktyget för att kontrollera att det sitter fast.
- För att ta ut en bits (a) måste du dra tillbaka och hålla fast chuckhysan (14).
- Ta ut bitsen (a) och släpp sedan chuckhysan (14).

8.8 Ställa in vridmomentet (bild 1/pos. 13)**⚠ Obs!**

Ställ endast in vridmomentet medan maskinen står stilla.

Den batteridrivna skruvdragaren är utrustad med en mekanisk vridmomentsinställning.

Ställ in vridmomentet för en viss skruvstorlek med vridmomentsinställningen (13). Erforderligt vridmoment är beroende av flera olika faktorer:

- materialets typ och hårdhet
- skruvarnas typ och längd
- krav som ställs på skruvförbindningen

När vridmomentet har nåtts kommer kopplingen att lösa ut.

8.9 Utföra skruvdragning

Använd helst självcentrerande skruvar (t ex torx, stjärnskruv) som garanterar ett säkert arbetsresultat. Se till att bitsen och skruven stämmer överens i form och storlek.

8.10 Överbelasta skruvdragaren

Om skruvdragaren överbelastas kommer säkerhetsfrånkopplingen att slå ifrå maskinen. Skruvdragaren kan användas igen efter ett par sekunder.

9. Rengöring, underhåll och reservdelsbeställning**⚠ Obs!**

Dra alltid ut stickkontakten inför alla rengöringsarbeten.

9.1 Rengöring

- Håll skyddsanordningarna, ventilationsöppningarna och motorkåpan i så damm- och smutsfritt skick som möjligt. Torka av maskinen med en ren duk eller blås av den med tryckluft med svagt tryck.
- Vi rekommenderar att du rengör maskinen efter varje användningstillfälle.
- Rengör maskinen med jämna mellanrum med en fuktig duk och en aning såpa. Använd inga rengörings- eller lösningsmedel. Dessa kan skada maskinens plastdelar. Se till att inga vätskor tränger in i maskinens inre.

9.2 Underhåll

I maskinens inre finns inga delar som kräver underhåll.

9.3 Reservdelsbeställning

Ange följande uppgifter när du beställer reservdelar:

- Produkttyp
- Produktens artikelnummer
- Produktens ID-nr.

Aktuella priser och ytterligare information finns på www.isc-gmbh.info

10. Skrotning och återvinning

Maskinen ligger i en förpackning som fungerar som skydd mot transportskador. Denna förpackning består av olika material som kan återvinnas. Lämna in förpackningen till ett insamlingsställe för återvinning. Maskinen och dess tillbehör består av olika material som t ex metaller och plaster. Lämna in defekta komponenter till ett godkänt insamlingsställe i din kommun. Hör efter med din kommun eller med försäljaren i din specialbutik.



Endast för EU-länder

Kasta inte elverktyg i hushållssoporna.

Enligt det europeiska direktivet 2002/96/EG om avfall som utgörs av eller innehåller elektriska eller elektroniska produkter och dess tillämpning i den nationella lagstiftningen, måste förbrukade elverktyg källsorteras och lämnas in för miljövänlig återvinning.

Återvinnings-alternativ till begäran om återsändning:

Som ett alternativ till returnering är ägaren av elutrustningen skyldig att bidra till ändamålsenlig avfallshantering för det fall att utrustningen ska skrotas. Efter att den förbrukade utrustningen har lämnats in till en avfallsstation kan den omhändertas i enlighet med gällande nationella lagstiftning om återvinning och avfallshantering. Detta gäller inte för tillbehörsdelar och hjälpmedel utan elektriska komponenter vars syfte har varit att komplettera den förbrukade utrustningen.

SE

11. Förklaring om överensstämmelse

Einhell Germany AG · Wiesenweg 22 · D-94405 Landau/Isar



Konformitätserklärung

- erklårt folgende Konformität gemäß EU-Richtlinie und Normen für Artikel
 explains the following conformity according to EU directives and norms for the following product
 déclare la conformité suivante selon la directive CE et les normes concernant l'article
 dichiara la seguente conformità secondo la direttiva UE e le norme per l'articolo
 verklaart de volgende overeenstemming conform EU richtlijn en normen voor het product
 declara la siguiente conformidad a tenor de la directiva y normas de la UE para el artículo
 declara a seguinte conformidade, de acordo com a directiva CE e normas para o artigo
 attesterer følgende overensstemmelse i medfør af EU-direktiv samt standarder for artikel
 förklarar följande överensstämmelse enl. EU-direktiv och standarder för artikeln
 vakuuttaa, että tuote täyttää EU-direktiivin ja standardien vaatimukset
 tõendab toote vastavust EL direktiivile ja standarditele
 vydává následující prohlášení o shodě podle směrnice EU a norem pro výrobek
 potrjuje sledeću skladnost s smernico EU in standardi za izdelek
 vydáva nasledujúce prehlásenie o zhode podľa smernice EÚ a noriem pre výrobok
 a cikkekhez az EU-irányvonal és Normák szerint a következő konformitást jelenti ki
 deklaruje zgodność wymienionego poniżej artykułu z następującymi normami na podstawie dyrektywy WE.
 декларира съответното съответствие съгласно Директива на ЕС и норми за артикул
 paskaidro šādu atbilstību ES direktīvai un standartiem
 apibūdina šj atitikimą EU reikalavimams ir prekės normoms
 declară următoarea conformitate conform directivei UE și normelor pentru articolul
 δηλώνει την ακόλουθη συμμόρφωση σύμφωνα με την Οδηγία ΕΚ και τα πρότυπα για το προϊόν
 potvrđuje sljedeću usklađenost prema smjernicama EU i normama za artikl
 Izjava o sukladnosti za ovaj proizvod dostupna je na internet stranici www.lidl.hr.
 potvrđuje sljedeću usklađenost prema smjernicama EU i normama za artikl
 potvrđuje sledeću usklađenost prema smernicama EZ i normama za artikal
 следующим удостоверяется, что следующие продукты соответствуют директивам и нормам ЕС
 проголошує про зазначену нижче відповідність виробу директивам та стандартам ЄС на виріб
 Ürünü ile ilgili AB direktifleri ve normları gereğince aşağıda açıklanan uygunluğu belirtir
 erklærer følgende samsvar i henhold til EU-direktivet og standarder for artikkel
 Lýsir uppfyllingu EU-reglna og annarra staða vöru

Akkuschrauber PASS 3,6 A1 / Ladegerät LG PASS 3,6 A1 (Parkside)

- | | |
|---|--|
| <input type="checkbox"/> 87/404/EC_2009/105/EC | <input checked="" type="checkbox"/> 2006/42/EC |
| <input type="checkbox"/> 2005/32/EC_2009/125/EC | <input type="checkbox"/> Annex IV
Notified Body:
Notified Body No.:
Reg. No.: |
| <input type="checkbox"/> 2006/95/EC | |
| <input type="checkbox"/> 2006/28/EC | |
| <input checked="" type="checkbox"/> 2004/108/EC | <input type="checkbox"/> 2000/14/EC_2005/88/EC |
| <input type="checkbox"/> 2004/22/EC | <input type="checkbox"/> Annex V |
| <input type="checkbox"/> 1999/5/EC | <input type="checkbox"/> Annex VI
Noise: measured L_{WA} = dB (A); guaranteed L_{WA} = dB (A)
P = KW; L/Ø = cm
Notified Body: |
| <input type="checkbox"/> 97/23/EC | |
| <input type="checkbox"/> 90/396/EC_2009/142/EC | |
| <input type="checkbox"/> 89/686/EC_96/58/EC | <input type="checkbox"/> 2004/26/EC
Emission No.: |
| <input checked="" type="checkbox"/> 2011/65/EC | |

Standard references: EN 60745-1; EN 60745-2-2; EN 55014-1;
EN 55014-2; EN 60335-1; EN 60335-2-29; EN 61000-3-2; EN 61000-3-3

Landau/Isar, den 22.09.2011

Weichselgartner/General Manager

Unger/Product-Management

First CE: 08
Art.-No.: 45.134.23 I.-No.: 11031
Subject to change without notice

Archive-File/Record: NAPR004730
Documents registrar: Georg Riedel
Wiesenweg 22, D-94405 Landau/Isar

12. GARANTIBEVIS

Bästa kund,

Våra produkter genomgår en sträng kvalitetskontroll. Om denna produkt mot förmodan inte fungerar på rätt sätt, beklagar vi detta och ber dig att kontakta vår serviceavdelning under adressen som anges på garantikortet. Vi står även gärna till tjänst på telefon under servicenumret som anges nedan. Följande punkter gäller för att du ska kunna göra anspråk på garantin:

1. I dessa garantivillkor regleras extra garantitjänster. Garantianspråk som regleras enligt lag påverkas inte av denna garanti. Våra garantitjänster är gratis för dig.
2. Garantitjänsterna täcker endast in sådana brister som kan härledas till material- eller fabriktionsfel och är begränsade till arbetsuppgifter som syftar till att åtgärda dessa brister eller byta ut produkten. Tänk på att våra produkter endast får användas till ändamålsenligt syfte och inte har konstruerats för yrkesmässig, hantverksmässig eller industriell användning. Ett garantiavtal sluts därför ej om produkten ska användas inom yrkesmässiga, hantverksmässiga eller industriella verksamheter eller vid liknande aktiviteter. Vår garanti omfattar dessutom inte ersättning för transportskador, skador som kan härledas till missaktade monteringsanvisningar eller ej föreskriven installation, åsidosatt bruksanvisning (t ex anslutning till felaktig nätspänning eller strömart), missbruk eller ej ändamålsenliga användningar (t ex överbelastning av produkten eller användning av ej godkända insatsverktyg eller tillbehör), åsidosatta underhålls- och säkerhetsbestämmelser, främmande partiklar som har trängt in i produkten (t ex sand, sten eller damm), yttre våld eller yttre påverkan (t ex skador om produkten har fallit ned) samt normalt och användningsbundet slitage. Detta gäller särskilt för batterier som täcks av en 12 månaders garanti.

Anspråk på garanti upphör att gälla om ingrepp redan har gjorts i produkten.

3. Garantitiden uppgår till 3 år och gäller från datumet när produkten köptes. Medan garantitiden fortfarande gäller ska anspråk på garanti ställas inom två veckor efter att defekten fastställdes. Det är inte möjligt att ställa anspråk på garanti efter att garantitiden har löpt ut. Garantitiden förlängs inte när produkten repareras eller byts ut, dessutom medför sådana arbeten inte att en ny garantitid börjar gälla för produkten eller för ev. reservdelar som har monterats in. Detta gäller även vid hembesök.
4. För att du ska kunna ställa anspråk på garantin ska den defekta produkten skickas in i tillräckligt frakterat skick till adressen som anges nedan. Bifoga kvittot i original eller ett annat daterat köpebevis. Förvara därför kassakvittot på en säker plats! Beskriv orsaken till reklamationen så noggrant som möjligt. Om defekten i produkten täcks av våra garantitjänster, får du genast en reparerad eller ny apparat av oss.

Givetvis kan vi även, mot debitering, åtgärda skador som antingen inte täcks av garantin eller som har uppstått efter garantitidens slut. Skicka in produkten till nedanstående serviceadress.

Svenska Einhell AB
Östergärde Industriområde 415
S-417 29 Göteborg
Tel.: +46 31 550 999 · Fax: +46 31 550 998

DK

Indholdsfortegnelse

Side

1. Indledning	46
2. Sikkerhedsanvisninger.....	46-50
3. Oversigt over maskinen	50
4. Pakkens indhold.....	50
5. Formålsbestemt anvendelse	50-51
6. Tekniske data.....	51
7. Før ibrugtagning	51
8. Betjening.....	52-53
9. Renholdelse, vedligeholdelse og reservedelsbestilling	53-54
10. Bortskaffelse og genbrug	54
11. Overensstemmelseserklæring	55
12. Garantibevis.....	56

Genoptryk eller anden kopiering af dokumentation og følgedokumenter til produkter, også i uddrag, er kun tilladt med udtrykkelig tilladelse fra ISC GmbH.

44

Ret til tekniske ændringer forbeholdes



„ADVARSEL – Betjeningsvejledningen skal læses for at minimere risikoen for personskade“

DK

1. Indledning

⚠️ **Vigtigt!**

Ved brug af el-værktøj er der visse sikkerhedsforanstaltninger, der skal respekteres for at undgå skader på personer og materiel. Læs derfor betjeningsvejledningen grundigt igennem. Opbevar vejledningen et praktisk sted, så du altid kan tage den frem efter behov. Husk at lade betjeningsvejledningen følge med maskinen, hvis du overdrager den til andre! Vi fraskriver os ethvert ansvar for skader på personer eller materiel, som måtte opstå som følge af, at anvisningerne i denne betjeningsvejledning, navnlig vedrørende sikkerhed, tilsidesættes.

2. Sikkerhedsanvisninger

Generelle sikkerhedsanvisninger for el-værktøj

⚠️ **ADVARSEL!**

Læs alle sikkerhedsanvisninger og øvrige anvisninger.

Følges anvisningerne, navnlig sikkerhedsanvisningerne, ikke nøje som beskrevet, kan elektrisk stød, brand og/eller svære kvæstelser være følgen.

Alle sikkerhedsanvisninger og øvrige anvisninger skal gemmes.

Begrebet „el-værktøj”, som anvendes i sikkerhedsanvisningerne, henfører til netdrevne elektriske værktøjer (med netledning) og batteridrevne elektriske værktøjer (uden netledning).

1. Sikkerhed på arbejdsstedet

- **Hold arbejdsstedet rent og godt oplyst.**
Rod eller manglende belysning kan medføre personskade.
- **Brug ikke værktøjet i eksplosionsfarlige omgivelser, hvor der befinder sig brændbare væsker, gasser eller pulver.**
El-værktøj frembringer gnister, som kan antænde pulver eller dampe.

- **Hold børn og øvrige personer på afstand, mens du arbejder med værktøjet.**

Hvis du distraheres i dit arbejde, kan du miste kontrollen over værktøjet.

2. ELEKTRISK SIKKERHED

- **Værktøjets forbindelsesstik skal passe til stikkontakten. Stikket må under ingen omstændigheder ændres. Brug ikke adapterstik sammen med beskyttelsesjordet værktøj.**
Uforandrede stik og brug af rigtige stikkontakter nedsætter risikoen for elektrisk stød.
- **Undgå kropskontakt med jordede flader, såsom rør, varmeapparater, komfurer og køleskabe.**
Risikoen for at få elektrisk stød er større, hvis din krop er i forbindelse med jord.
- **Udsæt ikke værktøjet for regn eller fugt.**
Trænger der vand ind i et el-værktøj, øger det risikoen for elektrisk stød.
- **Brug ikke ledningen til andre formål end det tiltænkte: Værktøjet må ikke bæres i ledningen eller hænges op i den; tag fat i selve stikket, når du trækker stikket ud af stikkontakten. Hold ledningen væk fra høj varme, olie, skarpe kanter og bevægelige værktøjsdele.**
Beskadigede eller omviklede ledninger øger risikoen for elektrisk stød.
- **Ved arbejde med el-værktøj i det fri må der kun benyttes forlængerledninger, som er beregnet til udendørs brug.**
Brug af forlængerledninger, som er beregnet til udendørs brug, vil nedsætte risikoen for elektrisk stød.
- **Hvis brug af el-værktøjet i fugtige omgivelser ikke kan undgås, skal anvendes et fejlstrømsrelæ.**
Et fejlstrømsrelæ nedsætter risikoen for elektrisk stød.

3. PERSONERS SIKKERHED

- **Vær hele tiden årvågen, vær opmærksom på, hvad du foretager dig, og brug din sunde fornuft, når du arbejder med el-værktøj. Brug ikke værktøjet, hvis du er træt eller er**

påvirket af stoffer, alkohol eller medicin.

Et enkelt øjebliks uopmærksomhed kan medføre alvorlig kvæstelse.

- **Brug personligt beskyttelsesudstyr og altid sikkerhedsbriller.**

Brug af personligt beskyttelsesudstyr, såsom støvmaske, skridsikre sikkerhedssko, sikkerhedshjelm og høreværn - alt efter elværktøjets art og arbejdssituationen - nedsætter risikoen for kvæstelse.

- **Undgå utilsigtet start af el-værktøjet. Vær sikker på, at el-værktøjet er slukket, inden du slutter det til strømforsyningsnettet og/eller akkumulatorbatteriet, og inden du tager det op eller bærer det.**

Hvis du har fingeren på afbryderknappen, når du bærer værktøjet, eller slutter du værktøjet til strømforsyningen, mens det er tændt, kan det medføre personskade.

- **Fjern indstillingsværktøj eller skruenøgler, inden du tænder for værktøjet.**

Sidder der et stykke værktøj eller en nøgle i en roterende del af el-værktøjet, kan det medføre kvæstelse.

- **Undgå abnorme kropsholdninger. Sørg for at stå stabilt og hele tiden være i god balance.**

Så vil du bedre kunne styre værktøjet, hvis der skulle opstå en uventet situation.

- **Bær egnet tøj. Bær ikke løstsiddende tøj eller smykker. Hår, tøj og handsker skal holdes væk fra bevægelige dele.**

Løstsiddende tøj, smykker og langt hår kan blive trukket ind af bevægelige dele.

- **Hvis der er mulighed for montering af støvudsugnings- og støvopsamlingsudstyr, skal du tjekke, at disse er sluttet til og anvendes korrekt.**

Brug af støvudsugning kan nedsætte faren for støvbetingede helbredsskader.

4. Brug og håndtering af el-værktøjet

- **Overbelast ikke værktøjet. Brug det el-værktøj, der passer til det pågældende arbejde.**

Du arbejder mere sikkert og bedre inden for det angivne effektområde med det rigtige

værktøj.

- **Brug ikke el-værktøj, hvor afbryderknappen er defekt.**
El-værktøj, som ikke længere kan tændes og slukkes, er farligt og skal repareres.
 - **Træk stikket ud af stikkontakten, og/eller tag akkumulatorbatteriet ud, inden du foretager indstillinger på værktøjet, skifter tilbehør, og inden du lægger værktøjet fra dig.**
Denne forholdsregel forhindrer, at værktøjet starter utilsigtet.
 - **El-værktøj skal opbevares uden for børns rækkevidde, når det ikke bruges. Lad ikke personer arbejde med værktøjet, som ikke er fortrolige med det, eller ikke har læst denne vejledning.**
El-værktøj er farligt, hvis det benyttes af uerfarne personer.
 - **Sørg for omhyggeligt at vedligeholde værktøjet. Kontroller, at bevægelige dele fungerer, som de skal, og ikke sidder i klemme, og at komponenter ikke er gået i stykker eller er så beskadigede, at værktøjets funktion er nedsat. Beskadigede dele skal repareres, inden værktøjet tages i brug igen.**
Mange uheld skyldes dårlig vedligeholdelse.
 - **Hold skæreenheden skarp og ren.**
En velplejet skæreenhed med skarpe skærekanten kommer sjældnere i klemme og er lettere at føre.
 - **El-værktøj, tilbehør, hjælpeværktøj osv. skal anvendes i overensstemmelse med nærværende anvisninger. Tag her højde for arbejdsforholdene og den pågældende aktivitet.**
Brug af el-værktøj til formål, det ikke er beregnet til, kan føre til farlige situationer.
- 5. Brug og håndtering af akkuværktøjet**
- **Batterier må kun oplades i ladeapparater, som anbefales af producenten.** Et ladeapparat, som er beregnet til en bestemt type akkumulatorbatterier, må ikke benyttes til andre typer batterier, da det vil indebære en risiko for brand.

DK

- **Brug kun de særlige akkumulatorbatterier, som er beregnet til brug sammen med el-værktøjet.** Ved brug af andre batterier er der fare for personskade eller brand.
- **Det ubrugte batteri skal holdes på afstand af clips, mønter, nøgler, søm, skruer og andre små metalgenstande, som vil kunne udgøre en fare for, at kontakterne overkobles.** Kortslutning mellem kontakterne på batteriet kan forårsage forbrændinger eller ild.
- **Ved forkert brug kan der lække væske ud af batteriet. Undgå kontakt med lækkende batterivæske. Ved evt. kontakt med batterivæske skal denne skylles af med vand. Hvis batterivæsken kommer i øjnene, skal du kontakte en læge.** Lækkende batterivæske kan forårsage hudirritation eller forbrænding.

6. SERVICE

- **Værktøjet skal repareres af en fagmand under anvendelse af originale reservedele.**
Herved sikres det, at værktøjets sikkerhedsniveau bevares.

Når du udfører arbejder, der indebærer en risiko for, at skruen eller indsatsværktøjet støder på skjulte strømledninger, skal du holde maskinen i de isolerede greb. Kontakt med en spændingsførende ledning vil sætte maskinens metaldele under spænding, hvilket vil give elektrisk stød.

Særlige sikkerhedsanvisninger

I konstruktionen af vore akkupacks har vi lagt vægt på at kunne levere batterier med maksimal energitæthed, levetid og sikkerhed. Akkucellerne omfatter sikkerhedsindretninger i flere trin. Hver enkelt celle bliver først formateret og dens elektriske karakteristikker optaget. Disse data benyttes herefter til at kunne gruppere de bedst mulige akkupacks. **På trods af alle sikkerhedsforanstaltninger skal akkumulatorbatterier altid omgås med forsigtighed. Følgende skal respekteres, for at en sikker drift er garanteret.**

Cellerne skal være ubeskadigede! En forkert håndtering vil føre til celledskader

Vigtigt! Analyser bekræfter, at hovedårsagen til skader forårsaget af højtydende akkumulatorbatterier skal findes i graverende fejlanvendelse og forkert pleje.

Oplysninger om akkumulatorbatteriet

- Akkumaskinens akkupack leveres uopladet. Batteriet skal derfor oplades, inden maskinen tages i brug første gang.
- For optimal batteriydelse skal dybe afladningscykler undgås! Oplad batteriet hyppigt.
- Batteriet skal opbevares køligt, bedst ved 15°C og mindst 40% opladet.
- Lithium-ion-batterier er underlagt en naturlig ældning. Senest, når batteriets ydeevne kun svarer til 80% af den oprindelige ydeevne, skal det skiftes ud! Svækkede celler i en forældet akkupack kan ikke mere modstå den høje ydelse og udgør en sikkerhedsrisiko.
- Brugte batterier må ikke brændes. Eksplosionsfare!
- Batteriet må ikke antændes eller brændes.
- **Undgå dybafledning af batterier!** Dybafledning skader batteriets celler. Den hyppigste årsag til dybafledning af akkupacks er lang tids opbevaring eller manglende anvendelse af delvist afladte batterier. Afslut dit arbejde, så snart du mærker, at ydelsen aftager, eller når beskyttelselektronikken reagerer. Lad batteriet helt op inden opmagasinering.
- **Beskyt batterier/maskine mod overbelastning!** Overbelastning fører hurtigt til overophedning og cellebeskadigelse indvendigt i batterihuset, uden at overophedningen bemærkes udadtil.
- **Undgå beskadigelse og stød!** Batterier, som er faldet på gulvet fra mere end 1 meters højde, eller som har været udsat for kraftige stød, skal straks skiftes ud, også selv om batterihuset ikke udviser tegn på skader. Battericellerne indvendigt kan have taget graverende skade. Læs også information om bortskaffelse.

- Ved overbelastning og overophedning slår den integrerede beskyttelsesfrakobling maskinen fra af sikkerhedsgrunde. **Vigtigt!** Tryk ikke på tænd/sluk-knappen, når beskyttelsesfrakoblingen har slået maskinen fra. Batteriet kan tage skade.
- Brug kun originale batterier. Ved brug af andre batterier er der fare for personskade, eksplosion eller brand.

Oplysninger om ladeaggregatet og opladning

- Den medfølgende oplader må ikke benyttes til opladning af batterier, der ikke er genopladelige.
- Bemærk dataene, som står anført på ladeaggregatets mærkeplade. Ladeaggregatet må kun tilsluttes en netspænding, som svarer til angivelsen på mærkepladen.
- Beskyt ladeaggregatet og ledningen mod beskadigelse og skarpe kanter. Et beskadiget kabel skal skiftes ud omgående af autoriseret el-fagmand.
- Ladeaggregatet må ikke betjenes af personer (inkl. børn) med begrænsede fysiske eller sensoriske færdigheder, eller personer, der ikke er i psykisk balance. Manglende erfaring og kendskab til produktets anvendelse fratager ligeledes en person retten til at betjene produktet, med mindre det sker under opsyn eller efter en grundig instruktion.
- Pas på, at børn ikke benytter produktet som legetøj.
- Beskadigede ladeaggregater må ikke benyttes.
- Det medfølgende ladeaggregat må ikke benyttes til opladning af andre akkumaskiner.
- Akkupacken opvarmes ved kraftig belastning. Lad akkupacken køle ned til rumtemperatur, inden opladningen påbegyndes.
- **Akkumulatorbatterier må ikke overoplades!** Bemærk maksimale opladningstider. Disse opladningstider gælder kun for afladte batterier. Hvis et opladt eller delvist opladt batteri gentagne gange sættes i, vil det blive

overopladet, og cellerne vil beskadiges. Lad ikke batterier sidde i ladeaggregatet flere dage ad gangen.

- **Batterier, hvor sidste opladning må formodes at være foretaget for mere end 12 måneder siden, må ikke benyttes eller oplades.** Der er stor sandsynlighed for, at batteriet allerede har taget graverende skade (dybafladning).
- Opladning ved en temperatur på under 10°C fører til kemisk beskadigelse af cellen og kan føre til brand.
- Brug ikke batterier, som er blevet varmet op under opladningen, da battericellerne kan have taget graverende skade.
- Undlad at bruge batterier, som efter opladning buler ud eller er deforme, eller som udviser andre atypiske symptomer (gasning, knitren, hvislen, ...)
- Aflad ikke batteriet fuldstændigt (anbefalet afladningsdybde maks. 80%). Fuldstændig afladning vil fremskynde battericellernes ældning.
- Lad aldrig batterier oplade uden opsyn!

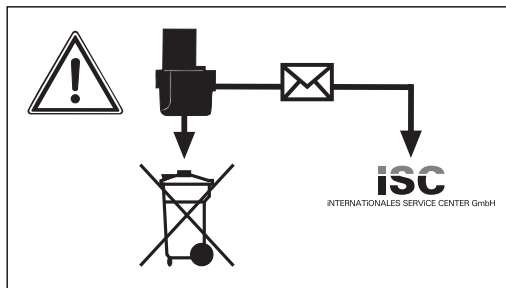
Beskyttelse mod påvirkninger udefra

- Bær egnet arbejdstøj. Bær sikkerhedsbriller.
- **Beskyt akkumaskinen og ladeaggregatet mod fugt og regn.** Fugt og regn kan forårsage farlige cellebeskadigelser.
- Akkumaskinen og ladeaggregatet må ikke anvendes i nærheden af dampe og brændbare væsker.
- Ladeaggregatet og akkumaskinerne må kun anvendes i tør tilstand i temperaturer på 10-40°C.
- Opbevar ikke batteriet på steder, hvor temperaturen kan nå op over 40° C, f.eks. i en bil, som står parkeret i solen.
- **Beskyt batterier mod overophedning!** Overbelastning, overopladning eller solindfald fører til overophedning og cellebeskadigelse. Batterier, der har været overophedede, må under ingen omstændigheder oplades eller anvendes – sådanne skal skiftes ud med det samme.
- **Opbevaring af batterier, ladeaggregater og akkumaskine.** Ladeaggregatet og akkumaskinen skal opbevares i tørre rum

DK

med en temperatur på 10-40°C. Lithium-ion-batteriet opbevares køligt og tørt ved 10-20°C. Skal beskyttes mod luftfugtighed og direkte solindfald! Batterier skal opbevares opladet (mindst 40% opladet).

- Lithium-ion-batteriet må ikke fryse. Batterier, som har været opbevaret i mere end 60 minutter under 0°C, skal kasseres.
- Batterier skal omgås med forsigtighed med hensyn til elektrostatisk opladning: Elektrostatiske afladninger vil beskadige beskyttelselektronikken og battericellerne! Undgå derfor elektrostatisk opladning, og rør aldrig ved batteripolerne!



Akkumulatorer og akkudrevent el-værktøj indeholder miljøskadelige materialer. Smid ikke akku-enheder ud som husholdningsaffald. Er enheden defekt eller nedslidt, tages akkumulatorbatteriet ud og indsendes til iSC GmbH, Eschenstraße 6 in D-94405 Landau, eller hele akku-enheden indsendes, såfremt den er uadskilleligt forbundet med batteriet. Herfra vil producenten varetage en forskriftsmæssig bortskaffelse.

Ved forsendelse og bortskaffelse af akkumulatorbatterier og -maskiner skal disse indpakkes særskilt i en plastikpose for at undgå kortslutning eller brand!

Gem vejledningen.

3. Oversigt over maskinen (fig. 1)

1. Bitholder
2. LED-lys
3. Låseknap
4. Tænd/Sluk-knap lampe
5. Batteri-kapacitetsindikator
6. Knap batteri-kapacitetsindikator
7. Ladekontrollampe
8. Ladetilslutning
9. Tænd/Sluk-knap
10. Omskifter venstre-/højregang
11. Ladeadapter
12. Ladekabel
13. Indstilling af drejningsmoment
14. Låsemuffe

4. Pakkens indhold

Tag alle dele ud af pakken, og kontroller, at leveringen er komplet:

- Akku-skruemaskine PASS 3.6 A1
- Ladeadapter
- 26 bits
- Bitholder
- Kuffert
- Betjeningsvejledning

5. Formålsbestemt anvendelse

Akku-skruemaskinen er beregnet til i- og udskrining af skruer.

Maskinen må kun anvendes i overensstemmelse med det tilsigtede formål. Enhver anden form for anvendelse er ikke tilladt. Vi fraskriver os ethvert ansvar for skader, det være sig på personer eller materiel, som måtte opstå som følge af, at maskinen ikke er blevet anvendt korrekt. Ansvaret bæres alene af brugeren/ejeren.

Bemærk, at vore produkter ikke er konstrueret til erhvervmæssig, håndværksmæssig eller industriel brug. Vi fraskriver os ethvert ansvar,

såfremt maskinen anvendes i erhvervsmæssigt, håndværksmæssigt, industrielt eller lignende øjemed.

6. Tekniske data

Spændingsforsyning motor:	3,6 V d.c.
Omdrejningstal, ubelastet:	200 min ⁻¹
Højre-/venstregang:	Ja
Udgangsspænding ladeadapter:	6,8 V d.c.
Udgangsstrøm ladeadapter:	550 mA
Netspænding ladeadapter:	230V~ 50 Hz
Ladetid:	3 tim.
Akkumulatorbatteri, type:	Li-Ion/1,5 Ah
Vægt:	0,4 kg
LED-klasse	1

Støj og vibration

Støj- og vibrationstal er beregnet i henhold til EN 60745.

Lydtryksniveau L _{pA}	62 dB(A)
Usikkerhed K _{pA}	3 dB
Lydeffektniveau L _{WA}	73 dB(A)
Usikkerhed K _{WA}	3 dB

Brug høreværn

Støjudviklingen fra maskinen kan føre til nedsat hørelse.

Samlede svingningstal (vektorsum for tre retninger) beregnet i henhold til EN 60745.

Skruer uden slag

Svingningsemissionstal $a_n \leq 2,5 \text{ m/s}^2$

Usikkerhed K = 1,5 m/s²

Advarsel!

Det angivne svingningsemissionstal er målt ud fra en standardiseret prøvningsmetode og kan – afhængig af den måde, el-værktøjet anvendes på – ændre sig og i undtagelsestilfælde ligge over den angivne værdi.

Det angivne svingningsemissionstal kan anvendes til at sammenligne et el-værktøj med et andet.

Det angivne svingningsemissionstal kan også anvendes til en indledende skønsmæssig vurdering af den negative påvirkning.

Støjudvikling og vibration skal begrænses til et minimum!

- Brug kun intakte og ubeskadigede maskiner.
- Vedligehold og rengør maskinen med jævne mellemrum.
- Tilpas arbejdsmåden efter maskinen.
- Overbelast ikke maskinen.
- Lad i givet fald maskinen underkaste et eftersyn.
- Sluk maskinen, når den ikke benyttes.
- Bær handsker.

7. Før ibrugtagning

⚠️ Vigtigt!

Nedenstående anvisninger skal læses, inden du tager akku-skruemaskinen i brug:

1. Akkumulatorbatteriet må kun lades op med den medfølgende ladeadapter (11).
2. Brug kun fejlfrie og egnede skruebits.
3. Ved skruring i vægge og mure, skal disse først undersøges for skjulte strøm-, gas- og vandledninger.

DK

8. Betjening

8.1 Opladning af batteri (fig. 1)

Akkumulatorbatteriet er sikret mod dybafledning. En integreret beskyttelseskreds kobler automatisk maskinen fra, når batteriet er afladt. Bitholderen (1) drejer så ikke mere rundt.

⚠ **Vigtigt!**

Tryk ikke på tænd/sluk-knappen (9), når beskyttelseskredsen har koblet maskinen fra. Batteriet kan tage skade.

1. Kontroller, at spændingsangivelsen på mærkepladen svarer til den forhåndenværende netspænding. Sæt ladeadapteren (11) i stikkontakten, og forbind ladekablet (12) med ladetilslutningen (8). Opladningen begynder, så snart ladekablet er forbundet med ladetilslutningen.
2. Ladekontrollampen (7) signalerer, at batteriet oplades.
3. Efter endt opladning går ladekontrollampen (7) ud.

⚠ **Vigtigt!**

Under opladningen kan håndtaget blive varmt, hvilket er helt normalt.

Hvis batteriet ikke kan oplades, skal du kontrollere,

- om der er netspænding i stikkontakten
- om forbindelsen til ladekontakterne på ladeadapteren (11) er i orden.

Hvis batteriet stadigvæk ikke lader sig oplade, bedes du indsende

- ladeadapteren (11)
- skruemaskinen

til kundeservice.

Sørg for at genoplade batteriet i god tid for at sikre en lang levetid. Genopladning skal under alle omstændigheder ske, hvis du konstaterer, at skruemaskinens ydelse er nedsat.

8.2 Omskifter venstre-/højregang (fig. 2/pos. 10)

Med omskifteren for venstre-/højregang (10) oven over tænd/sluk-knappen (9) kan du indstille skruemaskinens omdrejningsretning og sikre skruemaskinen mod utilsigtet indkobling. Du kan vælge mellem venstre- og højregang.

⚠ **Vigtigt!**

Skift af omdrejningsretning skal foretages, når maskinen står stille, for ikke at beskadige drevet. Når omskifteren for venstre-/højregang (10) er i midterstilling, er tænd/sluk-knappen (9) blokeret.

Omløbsretning

Højregang
Venstregang

Kontaktposition

“R” trykket ind
“L” trykket ind

8.3 Tænd/Sluk-knap (fig. 2/pos. 9)

Tryk på tænd/sluk-knappen for at tænde akkuskrumaskinen (9). Slip tænd/sluk-knappen for at slukke igen.

8.4 LED-lys (fig. 1/pos. 2)

Med LED-lyset (2) kan skruestedet lyses op i tilfælde af dårlige lysforhold. For at tænde trykker du på tænd/sluk-knappen (4), for at slukke trykker du på tænd/sluk-knappen (4) en gang til.

8.5 Indstilling af greb (fig. 1,2/pos. 3)

Skrumaskinen kan fikseres i 2 forskellige grebsindstillinger. Til det skal låseknappen (3) trykkes ind og skruemaskinen drejes i den ønskede stilling. Herefter slippes låseknappen (3) igen.

⚠ **Vigtigt!**

Kontroller, før du begynder arbejdet, om skruemaskinen er fikseret i den rigtige grebsposition.

8.6 Batteri-kapacitetsindikator**(fig. 4/pos. 5)**

Tryk på knap til batteri-kapacitetsindikator (6). Batteri-kapacitetsindikatoren (5) angiver batteriets ladetilstand ved hjælp af 3 farvede lysdioder.

Alle dioder lyser:

Batteriet er fuldt opladet.

Gul og rød diode lyser:

Batteriet råder over tilstrækkelig restkapacitet.

Rød lysdiode:

Batteriet er tomt, oplad batteriet.

8.7 Værktøjsskift (fig. 5)**⚠️ Vigtigt!**

Omskifteren for venstre-/højregang (10) på akku-skruemaskinen skal sættes i midterstilling, inden arbejder på selve maskinen påbegyndes (f.eks. værktøjsskift; vedligeholdelse; osv.).

- Træk låsemuffen (14) tilbage, og hold den fast.
- Sæt bit'en (a) ind i bitholderen (1), slip låsemuffen (14).
- Træk i værktøjet for at tjekke fastlåsningsen.
- For at udtage bit'en (a) trækkes låsemuffen (14) tilbage og fastholdes.
- Tag bit'en (a) ud, og slip så låsemuffen (14).

8.8 Indstilling af drejningsmoment**(fig. 1/pos. 13)****⚠️ Vigtigt!**

Indstil kun drejningsmomentet, når maskinen står stille.

Akku-skruemaskinen er udstyret med en mekanisk indstilling af drejningsmoment.

Drejningsmomentet for en bestemt skruestørrelse indstilles på indstillingsmekanismen (13). Det nødvendige drejningsmoment afhænger af flere faktorer:

- af arbejdsemnets art og hårdhed
- af de anvendte skruers art og længde
- af de krav, som stilles til skrueforbindelsen.

Når drejningsmomentet er nået, udløser koblingen.

8.9 Skruer

Det er bedst at anvende skruer med selvcentrering (f.eks. torx, krydskærv) – det gør arbejdet mere sikkert. Vær opmærksom på, om bit'en og skruen passer sammen i form og størrelse.

8.10 Overbelastning af skruemaskinen

Hvis skruemaskinen overbelastes, slår beskyttelsesfrakoblingen maskinen fra. Efter få sekunder kan maskinen benyttes igen.

9. Renholdelse, vedligeholdelse og reservedelsbestilling**⚠️ Vigtigt!**

Træk stikket ud af stikkontakten inden renholdelsesarbejde.

9.1 Renholdelse

- Hold så vidt muligt beskyttelsesanordninger, ventilationskanaler og motorhus fri for støv og snavs. Tør maskinen af med en ren klud, eller foretag trykluftudblæsning under lavt tryk.
- Vi anbefaler, at maskinen rengøres hver gang efter brug.
- Rengør af og til maskinen med en fugtig klud og lidt blød sæbe. Undgå brug af rengørings- og opløsningsmidler, da det vil kunne ødelægge maskinens kunststofdele. Sørg for, at der ikke kan trænge vand ind i maskinens indvendige dele.

9.2 Vedligeholdelse

Der findes ikke yderligere vedligeholdelseskrævende dele inde i maskinen.

DK**9.3 Reservedelsbestilling:**

Følgende bedes oplyst ved bestilling af reservedele:

- Maskinens typebetegnelse
- Maskinens varenummer
- Maskinens identifikationsnummer

Aktuelle priser og øvrig information findes på internetadressen www.isc-gmbh.info

10. Bortskaffelse og genbrug

Maskinen leveres indpakket for at undgå transportskader. Emballagen består af råmaterialer og kan genanvendes eller indleveres på genbrugsstation. Maskinen og dens tilbehør består af forskellige materialer, f.eks. metal og plast. Defekte komponenter skal kasseres ifølge miljøforskrifterne og må ikke smides ud som almindeligt husholdningsaffald. Hvis du er i tvivl: Spørg din forhandler, eller forhør dig hos din kommune!



Kun for EU-lande

Smid ikke el-værktøj ud som almindeligt husholdningsaffald!

I medfør af Rådets direktiv 2002/96/EF om affald af elektrisk og elektronisk udstyr og dettes omsættelse i den nationale lovgivning skal brugt el-værktøj indsamles separat og indleveres til videreanvendende formål på miljømæssig forsvarlig vis.

Recycling-alternativ til tilbagesendelse:

Ejeren af el-værktøjet er – med mindre denne tilbagesender maskinen – forpligtet til at bortskaffe maskinen og dens dele ifølge miljøforskrifterne. Den brugte maskine kan indleveres hos en genbrugsstation – spørg evt. personalet her, eller forhør dig hos din kommune. Tilbehør og hjælpemidler, som følger med maskinen, og som ikke indeholder elektriske dele, er ikke omfattet af ovenstående.

11. Overensstemmelseserklæring

Einhell Germany AG · Wiesenweg 22 · D-94405 Landau/Isar



Konformitätserklärung

- erklært følgende Konformität gemäß EU-Richtlinie und Normen für Artikel
 explains the following conformity according to EU directives and norms for the following product
 déclare la conformité suivante selon la directive CE et les normes concernant l'article
 dichiara la seguente conformità secondo la direttiva UE e le norme per l'articolo
 verklaart de volgende overeenstemming conform EU richtlijn en normen voor het product
 declara la siguiente conformidad a tenor de la directiva y normas de la UE para el artículo
 declara a seguinte conformidade, de acordo com a directiva CE e normas para o artigo
 attesterer følgende overensstemmelse i medfør af EU-direktiv samt standarder for artikel
 förklarar följande överensstämmelse enl. EU-direktiv och standarder för artikeln
 vakuuttaa, että tuote täyttää EU-direktiivin ja standardien vaatimukset
 tõendab toote vastavust EL direktiivile ja standarditele
 vydává následující prohlášení o shodě podle směrnice EU a norem pro výrobek
 potrjuje sledeću skladnost s smernico EU in standardi za izdelek
 vydáva nasledujúce prehlásenie o zhode podľa smernice EÚ a noriem pre výrobok
 a cikkekhez az EU-irányvonal és Normák szerint a következő konformitást jelenti ki
 deklaruje zgodność wymienionego poniżej artykułu z następującymi normami na podstawie dyrektywy WE.
 декларира съответното съответствие съгласно Директива на ЕС и норми за артикул
 paskaidro šādu atbilstību ES direktīvai un standartiem
 apibūdina šj atitikimą EU reikalavimams ir prekės normoms
 declară următoarea conformitate conform directivei UE și normelor pentru articolul
 δηλώνει την ακόλουθη συμμόρφωση σύμφωνα με την Οδηγία ΕΚ και τα πρότυπα για το προϊόν
 potvrđuje sljedeću usklađenost prema smjernicama EU i normama za artikl
 Izjava o sukladnosti za ovaj proizvod dostupna je na internet stranici www.lidl.hr.
 potvrđuje sljedeću usklađenost prema smjernicama EU i normama za artikl
 potvrđuje sledeću usklađenost prema smernicama EZ i normama za artikl
 следующим удостоверяется, что следующие продукты соответствуют директивам и нормам ЕС
 проголошує про зазначену нижче відповідність виробу директивам та стандартам ЄС на виріб
 Ürünü ile ilgili AB direktifleri ve normları gereğince aşağıda açıklanan uygunluğu belirtir
 erklærer følgende samsvar i henhold til EU-direktivet og standarder for artikkel
 Lýsir uppfyllingu EU-reglna og annarra staða vöru

Akkuschrauber PASS 3,6 A1 / Ladegerät LG PASS 3,6 A1 (Parkside)

- | | |
|---|--|
| <input type="checkbox"/> 87/404/EC_2009/105/EC | <input checked="" type="checkbox"/> 2006/42/EC |
| <input type="checkbox"/> 2005/32/EC_2009/125/EC | <input type="checkbox"/> Annex IV
Notified Body:
Notified Body No.:
Reg. No.: |
| <input type="checkbox"/> 2006/95/EC | |
| <input type="checkbox"/> 2006/28/EC | |
| <input checked="" type="checkbox"/> 2004/108/EC | <input type="checkbox"/> 2000/14/EC_2005/88/EC |
| <input type="checkbox"/> 2004/22/EC | <input type="checkbox"/> Annex V |
| <input type="checkbox"/> 1999/5/EC | <input type="checkbox"/> Annex VI
Noise: measured L_{WA} = dB (A); guaranteed L_{WA} = dB (A)
P = KW; L/Ø = cm
Notified Body: |
| <input type="checkbox"/> 97/23/EC | |
| <input type="checkbox"/> 90/396/EC_2009/142/EC | |
| <input type="checkbox"/> 89/686/EC_96/58/EC | <input type="checkbox"/> 2004/26/EC
Emission No.: |
| <input checked="" type="checkbox"/> 2011/65/EC | |

Standard references: EN 60745-1; EN 60745-2-2; EN 55014-1;
EN 55014-2; EN 60335-1; EN 60335-2-29; EN 61000-3-2; EN 61000-3-3

Landau/Isar, den 22.09.2011

Weichselgartner/General Manager

Unger/Product-Management

First CE: 08
Art.-No.: 45.134.23 I.-No.: 11031
Subject to change without notice

Archive-File/Record: NAPR004730
Documents registrar: Georg Riedel
Wiesenweg 22, D-94405 Landau/Isar

12. GARANTIBEVIS

Kære kunde!

Vore produkter er underlagt streng kvalitetskontrol. Hvis produktet alligevel på et tidspunkt skulle udvise fejl, beklager vi naturligvis dette og beder dig kontakte vores kundeservice på adressen, som står angivet på dette garantibevis. Du kan naturligvis også ringe til os på det nedenfor angivne servicenummer. For indfrielse af garantikrav gælder følgende:

1. Nærværende garanti fastsætter betingelserne for udvidede garantiydelse. Garantibestemmelser fastsat ved lov berøres ikke af nærværende garanti. Vores garantiydelse er gratis.
2. Garantiydelsen omfatter udelukkende mangler, som kan føres tilbage til materiale- eller produktionsfejl, og begrænser sig til afhjælpning af disse resp. levering af erstatningsprodukt. Bemærk, at vore produkter ikke er konstrueret til erhvervsmæssig, håndværksmæssig eller industriel brug. Garantiaftale kan derfor ikke anses for indgået, såfremt produktet anvendes i erhvervsmæssigt, håndværksmæssigt, industrielt eller lignende øjemed. Endvidere dækker garantien ikke erstatningsydelse for transportskader, skader som følge af tilsidesættelse af montagevejledningens anvisninger eller som følge af usagkyndig installation, tilsidesættelse af brugsanvisningen (f.eks. tilslutning til forkert netspænding eller strømtype), misbrug eller usagkyndig anvendelse (f.eks. overbelastning eller brug af værktøj eller tilbehør, som ikke er godkendt), tilsidesættelse af vedligeholdelses- og sikkerhedsforskrifter, indtrængen af fremmedlegemer i apparatet (f.eks. sand, sten eller støv), brug af vold eller eksterne påvirkninger udefra (f.eks. fordi produktet tabes) samt skader, der hidrører fra almindelig slitage. Dette gælder især batterier, som vi dog alligevel yder 12 måneders garanti på

Garantien mister sin gyldighed, hvis der allerede er blevet foretaget indgreb i apparatet.
3. Garantiperioden udgør 3 år at regne fra købsdatoen. Garantikrav skal gøres gældende inden for to uger, efter at defekten er blevet konstateret. Garantikrav kan ikke gøres gældende efter garantiperiodens udløb. Reparation eller udskiftning af apparatet medfører ikke forlængelse af garantiperioden, heller ikke for eventuelt indbyggede reservedele. Dette gælder også servicearbejder, der foretages på stedet.
4. For at kunne gøre garantikrav gældende skal du sende det defekte produkt portofrit til nedenstående adresse. Original købskvittering eller lignende dateret dokumentation skal vedsendes. Købskvitteringen skal gemmes som dokumentation! Beskriv venligst så nøjagtigt som muligt grunden til din reklamation. Er defekten omfattet af garantien, vil produktet omgående blive repareret og returneret, eller du vil modtage et helt nyt.

Mod betaling udbedrer vi naturligvis også gerne defekter på produktet, som ikke/ikke længere er omfattet af garantien. Du skal blot indsende produktet til vores serviceadresse.

Einhell Scandinavia Aps
A.C..Illumsvej 21 A-B
DK-8600 Silkeborg
Tel. 087 201200 · Fax 087 201203

Inhaltsverzeichnis	Seite
1. Einleitung	59
2. Sicherheitshinweise	59-63
3. Gerätebeschreibung	64
4. Lieferumfang	64
5. Bestimmungsgemäße Verwendung	64
6. Technische Daten	64-65
7. Vor Inbetriebnahme	65
8. Bedienung	65-67
9. Reinigung, Wartung und Ersatzteilbestellung	67
10. Entsorgung und Wiederverwertung	67-68
11. Konformitätserklärung	69
12. Garantieurkunde	70

Der Nachdruck oder sonstige Vervielfältigung von Dokumentation und Begleitpapieren der Produkte, auch auszugsweise ist nur mit ausdrücklicher Zustimmung der ISC GmbH zulässig.

Technische Änderungen vorbehalten

DE/AT/
CH



“WARNUNG - Zur Verringerung des Verletzungsrisikos Bedienungsanleitung lesen”

1. Einleitung

⚠ Achtung!

Beim Benutzen von Geräten müssen einige Sicherheitsvorkehrungen eingehalten werden, um Verletzungen und Schäden zu verhindern. Lesen Sie diese Bedienungsanleitung / Sicherheitshinweise deshalb sorgfältig durch. Bewahren Sie diese gut auf, damit Ihnen die Informationen jederzeit zur Verfügung stehen. Falls Sie das Gerät an andere Personen übergeben sollten, händigen Sie diese Bedienungsanleitung / Sicherheitshinweise bitte mit aus. Wir übernehmen keine Haftung für Unfälle oder Schäden, die durch Nichtbeachten dieser Anleitung und den Sicherheitshinweisen entstehen.

2. Sicherheitshinweise

Allgemeine Sicherheitshinweise für Elektrowerkzeuge

⚠ WARNUNG

Lesen Sie alle Sicherheitshinweise und Anweisungen. Versäumnisse bei der Einhaltung der Sicherheitshinweise und Anweisungen können elektrischen Schlag, Brand und/oder schwere Verletzungen zur Folge haben.

Bewahren Sie alle Sicherheitshinweise und Anweisungen für die Zukunft auf.

Der in den Sicherheitshinweisen verwendete Begriff „Elektrowerkzeug“ bezieht sich auf netzbetriebene Elektrowerkzeuge (mit Netzkabel) und auf akkubetriebene Elektrowerkzeuge (ohne Netzkabel).

1. Arbeitsplatzsicherheit

- **Halten Sie Ihren Arbeitsbereich sauber und gut beleuchtet.** Unordnung oder unbeleuchtete Arbeitsbereiche können zu Unfällen führen.
- **Arbeiten Sie mit dem Elektrowerkzeug nicht in explosionsgefährdeter Umgebung, in der sich brennbare Flüssigkeiten, Gase oder Stäube**

befinden.

Elektrowerkzeuge erzeugen Funken, die den Staub oder die Dämpfe entzünden können.

- **Halten Sie Kinder und andere Personen während der Benutzung des Elektrowerkzeuges fern.**

Bei Ablenkung können Sie die Kontrolle über das Gerät verlieren.

2. Elektrische Sicherheit

- **Der Anschlussstecker des Elektrowerkzeuges muss in die Steckdose passen. Der Stecker darf in keiner Weise verändert werden. Verwenden Sie keine Adapterstecker gemeinsam mit schutzgeerdeten Elektrowerkzeugen.**
Unveränderte Stecker und passende Steckdosen verringern das Risiko eines elektrischen Schlages.
- **Vermeiden Sie Körperkontakt mit geerdeten Oberflächen, wie von Rohren, Heizungen, Herden und Kühlschränken.**
Es besteht ein erhöhtes Risiko durch elektrischen Schlag, wenn Ihr Körper geerdet ist.
- **Halten Sie Elektrowerkzeuge von Regen oder Nässe fern.**
Das Eindringen von Wasser in ein Elektrogerät erhöht das Risiko eines elektrischen Schlages.
- **Zweckentfremden Sie das Kabel nicht, um das Elektrowerkzeug zu tragen, aufzuhängen oder um den Stecker aus der Steckdose zu ziehen. Halten Sie das Kabel fern von Hitze, Öl, scharfen Kanten oder sich bewegenden Geräteteilen.**
Beschädigte oder verwickelte Kabel erhöhen das Risiko eines elektrischen Schlages.
- **Wenn Sie mit einem Elektrowerkzeug im Freien arbeiten, verwenden Sie nur Verlängerungskabel, die auch für den Außenbereich geeignet sind.**
Die Anwendung eines für den Außenbereich geeigneten Verlängerungskabels verringert das Risiko eines elektrischen Schlages.

DE/AT/
CH

- **Wenn der Betrieb des Elektrowerkzeuges in feuchter Umgebung nicht vermeidbar ist, verwenden Sie einen Fehlerstromschutzschalter.**

Der Einsatz eines Fehlerstromschutzschalters vermindert das Risiko eines elektrischen Schlages.

3. Sicherheit von Personen

- **Seien Sie aufmerksam, achten Sie darauf, was Sie tun, und gehen Sie mit Vernunft an die Arbeit mit einem Elektrowerkzeug. Benutzen Sie kein Elektrowerkzeug, wenn Sie müde sind oder unter Einfluss von Drogen, Alkohol oder Medikamenten stehen.**

Ein Moment der Unachtsamkeit beim Gebrauch des Elektrowerkzeuges kann zu ernsthaften Verletzungen führen.

- **Tragen Sie persönliche Schutzausrüstung und immer eine Schutzbrille.**

Das Tragen persönlicher Schutzausrüstung, wie Staubmaske, rutschfeste Sicherheitsschuhe, Schutzhelm oder Gehörschutz, je nach Art und Einsatz des Elektrowerkzeuges, verringert das Risiko von Verletzungen.

- **Vermeiden Sie eine unbeabsichtigte Inbetriebnahme. Vergewissern Sie sich, dass das Elektrowerkzeug ausgeschaltet ist, bevor Sie es an die Stromversorgung und/oder den Akku anschließen, es aufnehmen oder tragen.**

Wenn Sie beim Tragen des Elektrowerkzeuges den Finger am Schalter haben oder das Gerät eingeschaltet an die Stromversorgung anschließen, kann dies zu Unfällen führen.

- **Entfernen Sie Einstellwerkzeuge oder Schraubenschlüssel, bevor Sie das Elektrowerkzeug einschalten.**

Ein Werkzeug oder Schlüssel, der sich in einem drehenden Geräteteil befindet, kann zu Verletzungen führen.

- **Vermeiden Sie eine abnormale Körperhaltung. Sorgen Sie für einen sicheren Stand und halten Sie jederzeit das Gleichgewicht.**

Dadurch können Sie das Elektrowerkzeug in unerwarteten Situationen besser

kontrollieren.

- **Tragen Sie geeignete Kleidung. Tragen Sie keine weite Kleidung oder Schmuck. Halten Sie Haare, Kleidung und Handschuhe fern von sich bewegenden Teilen.**

Lockere Kleidung, Schmuck oder lange Haare können von sich bewegenden Teilen erfasst werden.

- **Wenn Staubabsaugeinrichtungen und Staubauffangeinrichtungen montiert werden können, vergewissern Sie sich, dass diese angeschlossen sind und richtig verwendet werden.**

Verwendung einer Staubabsaugung kann Gefährdungen durch Staub verringern.

4. Verwendung und Behandlung des Elektrowerkzeuges

- **Überlasten Sie das Gerät nicht.**

Verwenden Sie für Ihre Arbeit das dafür bestimmte Elektrowerkzeug.

Mit dem passenden Elektrowerkzeug arbeiten Sie besser und sicherer im angegebenen Leistungsbereich.

- **Benutzen Sie kein Elektrowerkzeug, dessen Schalter defekt ist.**

Ein Elektrowerkzeug, das sich nicht mehr ein- oder ausschalten lässt, ist gefährlich und muss repariert werden.

- **Ziehen Sie den Stecker aus der Steckdose und/oder entfernen Sie den Akku, bevor Sie Geräteeinstellungen vornehmen, Zubehörteile wechseln oder das Gerät weglegen.**

Diese Vorsichtsmaßnahme verhindert den unabsichtlichen Start des Elektrowerkzeuges.

- **Bewahren Sie unbenutzte Elektrowerkzeuge außerhalb der Reichweite von Kindern auf. Lassen Sie Personen das Gerät nicht benutzen, die mit diesem Gerät nicht vertraut sind oder diese Anweisungen nicht gelesen haben.**

Elektrowerkzeuge sind gefährlich, wenn sie von unerfahrenen Personen benutzt werden.

- **Pflegen Sie Elektrowerkzeuge mit Sorgfalt. Kontrollieren Sie, ob bewegliche Teile einwandfrei funktionieren und nicht klemmen, ob**

Teile gebrochen oder so beschädigt sind, dass die Funktion des Elektrowerkzeuges beeinträchtigt ist. Lassen Sie beschädigte Teile vor dem Einsatz des Gerätes reparieren.

Viele Unfälle haben ihre Ursache in schlecht gewarteten Elektrowerkzeugen.

- **Halten Sie Ihre Schneidwerkzeuge scharf und sauber.**
Sorgfältig gepflegte Schneidwerkzeuge mit scharfen Schneidkanten verklemmen sich weniger und sind leichter zu führen.
- **Verwenden Sie Elektrowerkzeug, Zubehör, Einsatzwerkzeuge usw. entsprechend diesen Anweisungen. Berücksichtigen Sie dabei die Arbeitsbedingungen und die auszuführende Tätigkeit.**
Der Gebrauch von Elektrowerkzeugen für andere als die vorgesehenen Anwendungen kann zu gefährlichen Situationen führen.

5. Verwendung und Behandlung des Akkuwerkzeugs

- **Laden Sie die Akkus nur in Ladegeräten auf, die vom Hersteller empfohlen werden.** Für ein Ladegerät, das für eine bestimmte Art von Akkus geeignet ist, besteht Brandgefahr, wenn es mit anderen Akkus verwendet wird.
- **Verwenden Sie nur die dafür vorgesehenen Akkus in den Elektrowerkzeugen.** Der Gebrauch von anderen Akkus kann zu Verletzungen und Brandgefahr führen.
- **Halten Sie den nicht benutzten Akku fern von Büroklammern, Münzen, Schlüsseln, Nägeln, Schrauben oder anderen kleinen Metallgegenständen, die eine Überbrückung der Kontakte verursachen könnten.** Ein Kurzschluss zwischen den Akkukontakten kann Verbrennungen oder Feuer zur Folge haben.
- **Bei falscher Anwendung kann Flüssigkeit aus dem Akku austreten. Vermeiden Sie den Kontakt damit. Bei zufälligem Kontakt mit Wasser**

abspülen. Wenn die Flüssigkeit in die Augen kommt, nehmen Sie zusätzlich ärztliche Hilfe in Anspruch. Austretende Akkuflüssigkeit kann zu Hautreizungen oder Verbrennungen führen.

6. Service

- **Lassen Sie Ihr Elektrowerkzeug nur von qualifiziertem Fachpersonal und nur mit Original-Ersatzteilen reparieren.**
Damit wird sichergestellt, dass die Sicherheit des Elektrowerkzeuges erhalten bleibt.

Halten Sie das Gerät an den isolierten Griffflächen, wenn Sie Arbeiten ausführen, bei denen die Schraube oder das Einsatzwerkzeug verborgene Stromleitungen treffen kann. Der Kontakt mit einer spannungsführenden Leitung kann auch metallene Geräteteile unter Spannung setzen und zu einem elektrischen Schlag führen.

Spezielle Sicherheitshinweise für Lithium-Ionen Aukkuschauber

Wir legen größte Sorgfalt in den Aufbau jedes Akkupacks, um Akkus mit maximaler Energiedichte, Langlebigkeit und Sicherheit an Sie weitergeben zu können. Die Akkuzellen verfügen über mehrstufige Sicherheitsvorrichtungen. Jede einzelne Zelle wird zunächst formatiert und ihre elektrischen Kennlinien werden aufgenommen. Diese Daten werden anschließend genutzt, um die bestmöglichen Akkupacks gruppieren zu können. **Trotz aller Sicherheitsvorkehrungen ist beim Umgang mit Akkus stets Umsicht erforderlich. Für den sicheren Betrieb sind folgende Punkte zwingend zu beachten. Der sichere Betrieb ist nur mit ungeschädigten Zellen gewährleistet! Eine falsche Handhabung führt zu Zellenschäden**

Achtung! Analysen bestätigen, dass grobe Falschnutzung und falsche Pflege Hauptursache für Schäden durch Hochleistungsakkus sind.

DE/AT/
CH**Hinweise zum Akku**

- Der Akku-Pack des Akkugerätes ist im Lieferzustand nicht geladen. Vor der ersten Inbetriebnahme muss deshalb der Akku aufgeladen werden.
- Für eine optimale Akkuleistung vermeiden Sie tiefe Entladungszyklen! Laden Sie Ihren Akku häufig.
- Lagern Sie Ihren Akku kühl, am besten bei 15°C, und zumindest 40% geladen.
- Lithium-Ionen Akkus unterliegen einer natürlichen Alterung. Spätestens wenn die Leistungsfähigkeit des Akkus nur mehr 80% des Neuzustandes entspricht, muss der Akku ersetzt werden! Geschwächte Zellen in einem gealterten Akku-Pack sind den hohen Leistungsanforderungen nicht mehr gewachsen und stellen so ein Sicherheitsrisiko dar.
- Verbrauchte Akkus nicht ins offene Feuer werfen. Explosionsgefahr!
- Akku nicht anzünden oder Verbrennung aussetzen.
- **Akkus nicht Tiefenentladen!**
Tiefenentladung schädigt die Akkuzellen. Die häufigste Ursache für die Tiefenentladung von Akkupacks ist lange Lagerung bzw. Nichtnutzung teilentladener Akkus. Beenden Sie den Arbeitsvorgang sobald die Leistung merklich nachlässt oder die Schutzelektronik anspricht. Lagern Sie den Akku erst nach vollständiger Aufladung.
- **Akkus bzw. Gerät vor Überlastung schützen!**
Überlastung führt rasch zur Überhitzung und Zellschädigung im Innern des Akkugehäuses, ohne dass die Überhitzung äußerlich zu Tage tritt.
- **Vermeiden Sie Beschädigungen und Stöße!**
Ersetzen Sie Akkus, die Ihnen aus über einem Meter heruntergefallen sind oder die heftigen Stößen ausgesetzt waren unverzüglich, auch wenn das Gehäuse des Akkupacks unbeschädigt erscheint. Die Akkuzellen im Inneren können ernsthaft beschädigt sein. Beachten Sie hierzu auch die Entsorgungshinweise.
- Bei Überlastung und Überhitzung schaltet die integrierte Schutzabschaltung das Gerät

aus Sicherheitsgründen ab. **Achtung!**

Betätigen Sie den Ein-/ Ausschalter nicht mehr, wenn die Schutzabschaltung das Gerät abgeschaltet hat. Dies kann zu Schäden am Akku führen.

- Verwenden Sie nur original Akkus. Der Einsatz von anderen Akkus kann zu Verletzungen; Exposition und Brandgefahr führen.

Hinweise zum Ladegerät und Ladevorgang

- Verwenden Sie das mitgelieferte Ladegerät nicht zum Laden von nicht wieder aufladbaren Batterien.
- Beachten Sie die angegebenen Daten auf dem Typenschild des Ladegeräts. Schließen Sie das Ladegerät nur an die auf dem Typenschild angegebene Netzspannung an.
- Schützen Sie das Ladegerät und die Leitung vor Beschädigung und scharfen Kanten. Beschädigte Kabel sind unverzüglich durch einen Elektrofachmann auszutauschen.
- Das Ladegerät ist nicht dafür bestimmt, durch Personen (einschließlich Kindern) mit eingeschränkten physischen, sensorischen oder geistigen Fähigkeiten oder mangels Erfahrung und/oder mangels Wissen benützt zu werden, es sei denn, sie werden durch eine für ihre Sicherheit zuständige Person beaufsichtigt oder erhalten von ihr Anweisung, wie das Gerät zu benützen ist.
- Kinder sollten beaufsichtigt werden, um sicherzustellen, dass sie nicht am Gerät spielen.
- Keine beschädigten Ladegeräte verwenden.
- Verwenden Sie das mitgelieferte Ladegerät nicht zum Laden von anderen Akkugeräten.
- Bei starker Beanspruchung erwärmt sich der Akku-Pack. Lassen Sie den Akku-Pack vor Beginn des Ladevorgangs auf Raumtemperatur abkühlen.
- **Akkus nicht Überladen!**
Beachten Sie die maximalen Ladezeiten. Diese Ladezeiten gelten nur für entladene Akkus. Mehrfaches Einstecken eines geladenen oder teilgeladenen Akkus führt zum Überladen und zur Zellschädigung.

Akkus nicht mehrere Tage im Ladegerät stecken lassen.

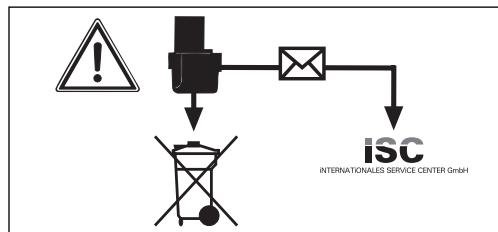
- **Benutzen und Laden Sie nie Akkus, von denen Sie vermuten, dass die letzte Aufladung des Akkus länger als 12 Monate zurück liegt.** Die Wahrscheinlichkeit ist hoch, dass der Akku bereits gefährlich geschädigt ist (Tiefenentladung).
- Laden bei einer Temperatur von unter 10°C führt zur chemischen Schädigung der Zelle und kann zu Brand führen.
- Verwenden Sie keine Akkus, die sich während des Ladens erwärmt haben, da die Akkuzellen gefährlich geschädigt sein könnten.
- Verwenden Sie keine Akkus mehr, die sich während des Ladens aufgewölbt oder verformt haben, oder welche ungewöhnliche Symptome zeigten (Ausgasen, Zischen, Knacken, ...)
- Entladen Sie den Akku nicht vollständig (empfohlene Endladetiefe max. 80%). Vollentladung führt zur vorzeitigen Alterung der Akkuzellen.
- Batterien niemals unbeaufsichtigt laden!

Schutz vor Umwelteinflüssen

- Tragen Sie geeignete Arbeitskleidung. Schutzbrille tragen.
- **Schützen Sie Ihr Akkugerät und das Ladegerät vor Feuchtigkeit und Regen.** Feuchtigkeit und Regen können zu gefährlichen Zellschädigungen führen.
- Das Akkugerät und das Ladegerät nicht im Bereich von Dämpfen und brennbaren Flüssigkeiten verwenden.
- Ladegerät und Akkugeräte nur im trockenem Zustand und einer Umgebungstemperatur von 10-40°C verwenden.
- Bewahren Sie den Akku nicht an Orten auf, die eine Temperatur von über 40° C erreichen können, insb. nicht in einem in der Sonne geparkten Kfz.
- **Akkus vor Überhitzung schützen!** Überlastung, Überladung oder Sonneneinstrahlung führt zur Überhitzung und zur Zellschädigung. Laden oder arbeiten sie keinesfalls mit Akkus, welche

überhitzt wurden – ersetzen sie diese unverzüglich.

- **Lagerung von Akkus, Ladegeräten und Akkugerät.** Lagern Sie das Ladegerät und Ihr Akkugerät nur in trockenen Räumen mit einer Umgebungstemperatur von 10-40°C. Den Lithium-Ionen Akku lagern Sie kühl und trocken bei 10-20°C. Vor Luftfeuchtigkeit und direkter Sonneneinstrahlung schützen! Akkus nur in geladenem Zustand lagern (mind. 40% geladen).
- Verhindern Sie, dass der Lithium-Ionen Akku gefriert. Akkus, welche länger als 60 Minuten unter 0°C gelagert wurden, sind zu entsorgen.
- Vorsicht beim Umgang mit Akkus in Bezug auf elektrostatische Ladung: elektrostatische Entladungen führen zu Schäden an der Schutzelektronik und den Akku-Zellen! Vermeiden Sie daher elektrostatische Aufladung und berühren Sie niemals die Akku-Pole!



Akkumulatoren und akkugetriebene Elektrogeräte beinhalten umweltgefährdende Materialien. Akku- Geräte nicht in den Hausmüll geben. Nach dem Defekt oder Verschleiß der Geräte den Akku herausnehmen und an die iSC GmbH, Eschenstraße 6 in D-94405 Landau einsenden, oder, falls untrennbar verbunden, das Akku-Gerät einsenden. Nur dort wird vom Hersteller eine fachgerechte Entsorgung gewährleistet.

Beachten Sie beim Versand oder Entsorgung von Akkus bzw. Akkugerät, dass diese einzeln in Kunststoffbeutel verpackt werden um Kurzschlüsse oder Brand zu vermeiden!

Bewahren Sie die Sicherheitshinweise gut auf.

DE/AT/
CH

3. Gerätebeschreibung (Bild 1)

1. Bit-Aufnahme
2. LED-Licht
3. Entriegelungstaste
4. Ein-/ Aus-Schalter Lampe
5. Akku-Kapazitätsanzeige
6. Taster Akku-Kapazitätsanzeige
7. Ladekontrolllampe
8. Ladeanschluss
9. Ein-/ Aus-Schalter
10. Umschalter Links/Rechtlauf
11. Ladegerät
12. Ladekabel
13. Drehmomenteinstellung
14. Verriegelungshülse

4. Lieferumfang

Nehmen Sie alle Teile aus der Verpackung und überprüfen Sie diese auf Vollständigkeit.

- Akkuschauber PASS 3.6 A1
- Ladegerät
- 26 Bits
- Bithalter
- Koffer
- Bedienungsanleitung

5. Bestimmungsgemäße Verwendung

Der Akkuschauber ist geeignet zum Eindrehen und Lösen von Schrauben.

Die Maschine darf nur nach ihrer Bestimmung verwendet werden. Jede weitere darüber hinausgehende Verwendung ist nicht bestimmungsgemäß. Für daraus hervorgerufene Schäden oder Verletzungen aller Art haftet der Benutzer/Bediener und nicht der Hersteller.

Bitte beachten Sie, dass unsere Geräte bestimmungsgemäß nicht für den gewerblichen, handwerklichen oder industriellen Einsatz konstruiert wurden. Wir übernehmen keine Gewährleistung, wenn das Gerät in Gewerbe-,

Handwerks- oder Industriebetrieben sowie bei gleichzusetzenden Tätigkeiten eingesetzt wird.

6. Technische Daten

Spannungsversorgung Motor:	3,6 V d.c.
Leerlauf-Drehzahl:	200 min ⁻¹
Rechts- Links-Lauf:	ja
Ausgangsspannung Ladegerät:	6,8 V d.c.
Ausgangsstrom Ladegerät:	550 mA
Netzspannung Ladegerät:	230V~ 50 Hz
Ladezeit:	3 Std.
Akkutyp:	Li-Ion/1,5 Ah
Gewicht:	0,4 kg
LED Klasse	1

Geräusch und Vibration

Die Geräusch- und Vibrationswerte wurden entsprechend EN 60745 ermittelt.

Schalldruckpegel L _{pA}	62 dB(A)
Unsicherheit K _{pA}	3 dB
Schalleistungspegel L _{WA}	73 dB(A)
Unsicherheit K _{WA}	3 dB

Tragen Sie einen Gehörschutz.

Die Einwirkung von Lärm kann Gehörverlust bewirken.

Schwingungsgesamtwerte (Vektorsumme dreier Richtungen) ermittelt entsprechend EN 60745.

Schrauben ohne Schlag

Schwingungsemissionswert a_n ≤ 2,5 m/s²
Unsicherheit K = 1,5 m/s²

Warnung!

Der angegebene Schwingungsemissionswert ist nach einem genormten Prüfverfahren gemessen worden und kann sich, abhängig von der Art und Weise, in der das Elektrowerkzeug verwendet wird, ändern und in Ausnahmefällen über dem angegebenen Wert liegen.

Der angegebene Schwingungsemissionswert kann zum Vergleich eines Elektrowerkzeuges mit einem anderen verwendet werden.

Der angegebene Schwingungsemissionswert kann auch zu einer einleitenden Einschätzung der Beeinträchtigung verwendet werden.

Beschränken Sie die Geräusentwicklung und Vibration auf ein Minimum!

- Verwenden Sie nur einwandfreie Geräte.
- Warten und reinigen Sie das Gerät regelmäßig.
- Passen Sie Ihre Arbeitsweise dem Gerät an.
- Überlasten Sie das Gerät nicht.
- Lassen Sie das Gerät gegebenenfalls überprüfen.
- Schalten Sie das Gerät aus, wenn es nicht benutzt wird.
- Tragen Sie Handschuhe.

7. Vor Inbetriebnahme**⚠ Achtung!**

Lesen Sie vor der Inbetriebnahme Ihres Akkuschaubers unbedingt diese Hinweise:

1. Laden Sie den Akku nur mit dem mitgelieferten Ladegerät (11).
2. Nur einwandfreie und geeignete Schrauberrbits verwenden.
3. Beim Schrauben in Wänden und Mauern diese auf verborgene Strom-, Gas- und Wasserleitung überprüfen.

8. Bedienung**8.1 Laden des Akkus (Abb. 1)**

Der Akku ist gegen Tiefentladung geschützt. Eine integrierte Schutzschaltung schaltet das Gerät automatisch aus, wenn der Akku entladen ist. Die Bit-Aufnahme (1) dreht sich in diesem Fall nicht mehr.

⚠ Achtung!

Betätigen Sie den Ein-/Ausschalter (9) nicht mehr, wenn die Schutzschaltung das Gerät abgeschaltet hat. Dies kann zu Schäden am Akku führen.

1. Vergleichen Sie, ob die auf dem Typenschild angegebene Netzspannung mit der vorhandenen Netzspannung übereinstimmt. Stecken Sie das Ladegerät (11) in die Steckdose und verbinden Sie das Ladekabel (12) mit dem Ladeanschluss (8). Der Ladevorgang beginnt sobald das Ladekabel mit dem Ladeanschluss verbunden ist.
2. Die Ladekontrolllampe (7) signalisiert, dass der Akku geladen wird.
3. Nach erfolgter Ladung erlischt die Ladekontrolllampe (7).

⚠ Achtung!

Während des Ladevorgangs kann sich der Handgriff etwas erwärmen, dies ist jedoch normal.

Sollte das Laden des Akkus nicht möglich sein, überprüfen Sie bitte

- ob an der Steckdose die Netzspannung vorhanden ist
- ob ein einwandfreier Kontakt an den Ladekontakten des Ladegerätes (11) vorhanden ist.

Sollte das Laden des Akkus immer noch nicht möglich sein, bitten wir Sie,

- das Ladegerät (11)
- und den Schrauber

an unseren Kundendienst zu senden.

DE/AT/
CH

Im Interesse einer langen Lebensdauer des Akkus sollten Sie für eine rechtzeitige Wiederaufladung des Akkus sorgen. Dies ist auf jeden Fall notwendig, wenn Sie feststellen, dass die Leistung des Akkuschraubers nachlässt.

8.2 Umschalter Links/Rechtslauf (Bild 2/Pos. 10)

Mit dem Umschalter Links/Rechtslauf (10) über dem Ein-/ Aus-Schalter (9) können Sie die Drehrichtung des Akku-Schraubers einstellen und den Akku-Schrauber gegen ungewolltes Einschalten sichern. Sie können zwischen Links- und Rechtslauf wählen.

⚠ Achtung!

Um eine Beschädigung des Getriebes zu vermeiden, soll die Drehrichtung nur im Stillstand umgeschaltet werden. Befindet sich der Umschalter Links/Rechtslauf (10) in der Mittelstellung, ist der Ein-/ Aus-Schalter (9) blockiert.

Laufrichtung

Rechtslauf
Linkslauf

Schalterposition

“R” eingedrückt
“L” eingedrückt

8.3 Ein/Aus-Schalter (Bild 2/Pos. 9)

Drücken Sie zum Einschalten des Akkuschraubers den Ein-/ Aus-Schalter (9). Zum stoppen lassen Sie den Ein-/ Aus-Schalter wieder los.

8.4 LED-Licht (Bild 1/Pos. 2)

Das LED-Licht (2) ermöglicht das Ausleuchten der Schraubstelle bei ungünstigen Lichtverhältnissen. Zum Einschalten drücken Sie den Ein-/ Aus-Schalter (4), zum Ausschalten drücken Sie den Ein-/ Aus-Schalter (4) erneut.

8.5 GriffEinstellung (Bild 1,2/Pos. 3)

Der Schrauber kann in 2 verschiedenen GriffEinstellungen arretiert werden. Hierzu muss die Verriegelungstaste (3) gedrückt und der Schrauber in die gewünschte Stellung gedreht werden. Danach die Verriegelungstaste (3) wieder loslassen.

⚠ Achtung!

Vor Inbetriebnahme prüfen, ob der Schrauber in der jeweiligen Grifflage arretiert ist.

8.6 Akku-Kapazitätsanzeige (Bild 4/ Pos. 5)

Drücken Sie auf den Taster für Akku-Kapazitätsanzeige (6). Die Akku-Kapazitätsanzeige (5) signalisiert Ihnen den Ladezustand des Akkus anhand von 3 farbigen LED`s.

Alle LED`s leuchten:

Der Akku ist voll aufgeladen.

Gelbe und rote LED leuchten:

Der Akku verfügt über ausreichende Restladung.

Rote LED:

Der Akku ist leer, laden Sie den Akku auf.

8.7 Werkzeugwechsel (Bild 5)

⚠ Achtung!

Stellen Sie bei allen Arbeiten (z.B. Werkzeugwechsel; Wartung; usw.) am Akkuschrauber den Umschalter Links/Rechtslauf (10) in Mittelstellung.

- Verriegelungshülse (14) zurückziehen und festhalten.
- Bit (a) in die Bit-Aufnahme (1) stecken, Verriegelungshülse (14) loslassen.
- Verriegelung durch Ziehen am Werkzeug prüfen.
- Zum Entnehmen des Bits (a) die Verriegelungshülse (14) zurück ziehen und festhalten.
- Bit (a) entnehmen und Verriegelungshülse (14) loslassen.

8.8 Drehmoment-Einstellung (Bild 1/Pos. 13)

⚠ Achtung!

Drehmoment nur bei Stillstand einstellen. Der Akkuschrauber ist mit einer mechanischen Drehmomenteinstellung ausgestattet.

Das Drehmoment für eine bestimmte Schraubengröße wird an der Drehmoment-

einstellung (13) eingestellt. Das erforderliche Drehmoment ist von mehreren Faktoren abhängig:

- von der Art und Härte des zu bearbeitenden Materials.
- von der Art und der Länge der verwendeten Schrauben.
- von den Anforderungen, die an die Schraubverbindung gestellt werden.

Das Erreichen des Drehmoments wird durch Auslösen der Kupplung signalisiert.

8.9 Schrauben

Verwenden Sie am besten Schrauben mit Selbstzentrierung (z. B. Torx, Kreuzschlitz), welches ein sicheres Arbeiten gewährleistet. Achten Sie darauf, dass der verwendete Bit und die Schraube in Form und Größe übereinstimmen.

8.10 Überlastung des Schraubers

Wenn der Schrauber überlastet wird, schaltet die Schutzabschaltung das Gerät ab. Nach wenigen Sekunden kann der Schrauber wieder benutzt werden.

9. Reinigung, Wartung und Ersatzteilbestellung

⚠ Achtung!

Ziehen Sie vor allen Reinigungsarbeiten den Netzstecker.

9.1 Reinigung

- Halten Sie Schutzvorrichtungen, Luftschlitze und Motorenhäuser so staub- und schmutzfrei wie möglich. Reiben Sie das Gerät mit einem sauberen Tuch ab oder blasen Sie es mit Druckluft bei niedrigem Druck aus.
- Wir empfehlen, dass Sie das Gerät direkt nach jeder Benutzung reinigen.
- Reinigen Sie das Gerät regelmäßig mit einem feuchten Tuch und etwas Schmierseife. Verwenden Sie keine Reinigungs- oder Lösungsmittel; diese könnten die Kunststoffteile des Gerätes angreifen.

Achten Sie darauf, dass kein Wasser in das Geräteinnere gelangen kann.

9.2 Wartung

Im Geräteinneren befinden sich keine weiteren zu wartenden Teile.

9.3 Ersatzteilbestellung:

Bei der Ersatzteilbestellung sollten folgende Angaben gemacht werden:

- Typ des Gerätes
 - Artikelnummer des Gerätes
 - Ident-Nummer des Gerätes
- Aktuelle Preise und Infos finden Sie unter www.isc-gmbh.info

10. Entsorgung und Wiederverwertung

Das Gerät befindet sich in einer Verpackung um Transportschäden zu verhindern. Diese Verpackung ist Rohstoff und ist somit wieder verwendbar oder kann dem Rohstoffkreislauf zurückgeführt werden. Das Gerät und dessen Zubehör bestehen aus verschiedenen Materialien, wie z.B. Metall und Kunststoffe. Führen Sie defekte Bauteile der Sondermüllentsorgung zu. Fragen Sie im Fachgeschäft oder in der Gemeindeverwaltung nach!

DE/AT/
CH



Nur für EU-Länder

Werfen Sie Elektrowerkzeuge nicht
in den Hausmüll!

Gemäß europäischer Richtlinie 2002/96/EG
über Elektro- und Elektronik-Altgeräte und
Umsetzung in nationales Recht müssen
verbrauchte Elektrowerkzeuge getrennt
gesammelt werden und einer umweltgerechten
Wiederverwertung zugeführt werden.

Recycling-Alternative zur Rücksendeauf-
forderung:

Der Eigentümer des Elektrogerätes ist alter-
nativ anstelle Rücksendung zur Mitwirkung bei
der sachgerechten Verwertung im Falle der
Eigentumsaufgabe verpflichtet. Das Altgerät
kann hierfür auch einer Rücknahmestelle
überlassen werden, die eine Beseitigung im
Sinne der nationalen Kreislaufwirtschafts-
und Abfallgesetze durchführt. Nicht betroffen
sind den Altgeräten beigefügte Zubehörteile
und Hilfsmittel ohne Elektrobestandteile.

11. Konformitätserklärung

Einhell Germany AG · Wiesenweg 22 · D-94405 Landau/Isar



Konformitätserklärung

- erklärt folgende Konformität gemäß EU-Richtlinie und Normen für Artikel
 explains the following conformity according to EU directives and norms for the following product
 déclare la conformité suivante selon la directive CE et les normes concernant l'article
 dichiara la seguente conformità secondo la direttiva UE e le norme per l'articolo
 verklaart de volgende overeenstemming conform EU richtlijn en normen voor het product
 declara la siguiente conformidad a tenor de la directiva y normas de la UE para el artículo
 declara a seguinte conformidade, de acordo com a directiva CE e normas para o artigo
 atterer følgende overensstemmelse i medfør af EU-direktiv samt standarder for artikel
 förklarar följande överensstämmelse enl. EU-direktiv och standarder för artikeln
 vakuuttaa, että tuote täyttää EU-direktiivin ja standardien vaatimukset
 tõendab toote vastavust EL direktiivile ja standarditele
 vydává následující prohlášení o shodě podle směrnice EU a norem pro výrobek
 potrjuje sledečo skladnost s smernico EU in standardi za izdelek
 vydáva nasledujúce prehlásenie o zhode podľa smernice EÚ a noriem pre výrobok
 a cikkekhez az EU-irányvonal és Normák szerint a következő konformitást jelenti ki
 deklaruje zgodność wymienionego poniżej artykułu z następującymi normami na podstawie dyrektywy WE.
 декларира съответното съответствие съгласно Директива на ЕС и норми за артикул
 paskaidro šādu atbilstību ES direktīvai un standartiem
 apibūdina šj atitikimą EU reikalavimams ir prekės normoms
 declară următoarea conformitate conform directivei UE și normelor pentru articolul
 δηλώνει την ακόλουθη συμμόρφωση σύμφωνα με την Οδηγία ΕΚ και τα πρότυπα για το προϊόν
 potvrđuje sljedeću usklađenost prema smjernicama EU i normama za artikl
 Izjava o sukladnosti za ovaj proizvod dostupna je na internet stranici www.lidl.hr.
 potvrđuje sljedeću usklađenost prema smjernicama EU i normama za artikl
 potvrđuje sledeću usklađenost prema smernicama EZ i normama za artikal
 следующим удостоверяется, что следующие продукты соответствуют директивам и нормам ЕС
 проголошує про зазначену нижче відповідність виробу директивам та стандартам ЄС на виріб
 Ürünü ile ilgili AB direktifleri ve normları gereğince aşağıda açıklanan uygunluğu belirtir
 erklærer følgende samsvar i henhold til EU-direktivet og standarder for artikkel
 Lýsir uppfyllingu EU-reglna og annarra staða vöru

Akkuschrauber PASS 3,6 A1 / Ladegerät LG PASS 3,6 A1 (Parkside)

- 87/404/EC_2009/105/EC
 2005/32/EC_2009/125/EC
 2006/95/EC
 2006/28/EC
 2004/108/EC
 2004/22/EC
 1999/5/EC
 97/23/EC
 90/396/EC_2009/142/EC
 89/686/EC_96/58/EC
 2011/65/EC
 2006/42/EC
 Annex IV
 Notified Body:
 Notified Body No.:
 Reg. No.:
 2000/14/EC_2005/88/EC
 Annex V
 Annex VI
 Noise: measured L_{WA} = dB (A); guaranteed L_{WA} = dB (A)
 P = KW; L/Ø = cm
 Notified Body:
 2004/26/EC
 Emission No.:

Standard references: EN 60745-1; EN 60745-2-2; EN 55014-1;
EN 55014-2; EN 60335-1; EN 60335-2-29; EN 61000-3-2; EN 61000-3-3

Landau/Isar, den 22.09.2011

Weichselgartner/General Manager

Unger/Product-Management

First CE: 08
 Art.-No.: 45.134.23 I.-No.: 11031
 Subject to change without notice

Archive-File/Record: NAPR004730
 Documents registrar: Georg Riedel
 Wiesenweg 22, D-94405 Landau/Isar

12. GARANTIEURKUNDE

Sehr geehrte Kundin, sehr geehrter Kunde,

unsere Produkte unterliegen einer strengen Qualitätskontrolle. Sollte dieses Gerät dennoch einmal nicht einwandfrei funktionieren, bedauern wir dies sehr und bitten Sie, sich an unseren Servicedienst unter der auf dieser Garantiekarte angegebenen Adresse zu wenden. Gern stehen wir Ihnen auch telefonisch über die unten angegebene Servicrufnummer zur Verfügung. Für die Geltendmachung von Garantieansprüchen gilt Folgendes:

1. Diese Garantiebedingungen regeln zusätzliche Garantieleistungen. Ihre gesetzlichen Gewährleistungsansprüche werden von dieser Garantie nicht berührt. Unsere Garantieleistung ist für Sie kostenlos.
2. Die Garantieleistung erstreckt sich ausschließlich auf Mängel, die auf Material- oder Herstellungsfehler zurückzuführen sind und ist auf die Behebung dieser Mängel bzw. den Austausch des Gerätes beschränkt. Bitte beachten Sie, dass unsere Geräte bestimmungsgemäß nicht für den gewerblichen, handwerklichen oder industriellen Einsatz konstruiert wurden. Ein Garantievertrag kommt daher nicht zustande, wenn das Gerät in Gewerbe-, Handwerks- oder Industriebetrieben sowie bei gleichzusetzenden Tätigkeiten eingesetzt wird.
Von unserer Garantie sind ferner Ersatzleistungen für Transportschäden, Schäden durch Nichtbeachtung der Montageanleitung oder aufgrund nicht fachgerechter Installation, Nichtbeachtung der Gebrauchsanleitung (wie durch z.B. Anschluss an eine falsche Netzspannung oder Stromart), missbräuchliche oder unsachgemäße Anwendungen (wie z.B. Überlastung des Gerätes oder Verwendung von nicht zugelassenen Einsatzwerkzeugen oder Zubehör), Nichtbeachtung der Wartungs- und Sicherheitsbestimmungen, Eindringen von Fremdkörpern in das Gerät (wie z.B. Sand, Steine oder Staub), Gewaltanwendung oder Fremdeinwirkungen (wie z. B. Schäden durch Herunterfallen) sowie durch verwendungsgemäßen, üblichen Verschleiß ausgeschlossen. Dies gilt insbesondere für Akkus, auf die wir dennoch eine Garantiezeit von 12 Monaten gewähren
Der Garantieanspruch erlischt, wenn an dem Gerät bereits Eingriffe vorgenommen wurden.
3. Die Garantiezeit beträgt 3 Jahre und beginnt mit dem Kaufdatum des Gerätes. Garantieansprüche sind vor Ablauf der Garantiezeit innerhalb von zwei Wochen, nachdem Sie den Defekt erkannt haben, geltend zu machen. Die Geltendmachung von Garantieansprüchen nach Ablauf der Garantiezeit ist ausgeschlossen. Die Reparatur oder der Austausch des Gerätes führt weder zu einer Verlängerung der Garantiezeit noch wird eine neue Garantiezeit durch diese Leistung für das Gerät oder für etwaige eingebaute Ersatzteile in Gang gesetzt. Dies gilt auch bei Einsatz eines Vor-Ort-Services.
4. Für die Geltendmachung Ihres Garantieanspruches übersenden Sie bitte das defekte Gerät portofrei an die unten angegebene Adresse. Fügen Sie den Verkaufsbeleg im Original oder einen sonstigen datierten Kaufnachweis bei. Bitte bewahren Sie deshalb den Kassenbon als Nachweis gut auf! Beschreiben Sie uns bitte den Reklamationsgrund möglichst genau. Ist der Defekt des Gerätes von unserer Garantieleistung erfasst, erhalten Sie umgehend ein repariertes oder neues Gerät zurück.

Selbstverständlich beheben wir gegen Erstattung der Kosten auch gerne Defekte am Gerät, die vom Garantieumfang nicht oder nicht mehr erfasst sind. Dazu senden Sie das Gerät bitte an unsere Serviceadresse.



IAN: 71827 PASS 3.6 A1

Einhell Germany AG

Wiesenweg 22

D-94405 Landau/Isar

Last Information Update · Tietojen tila · Informationsstatus

Tilstand af information · Stand der Informationen:

11/2011 Ident.-No.: 45.134.23 112011 - FI SE DK

