



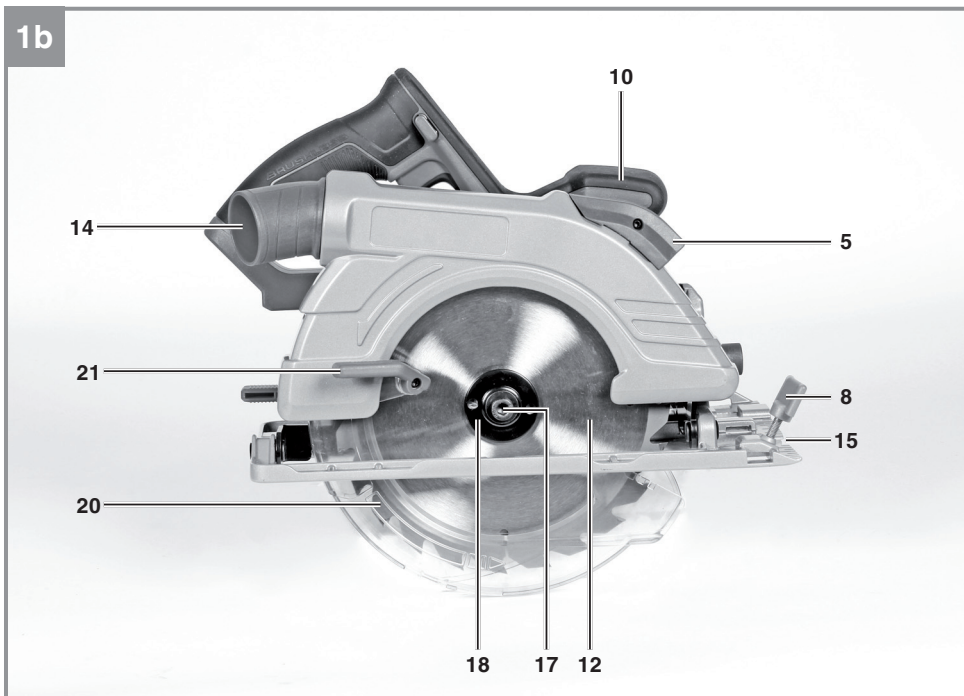
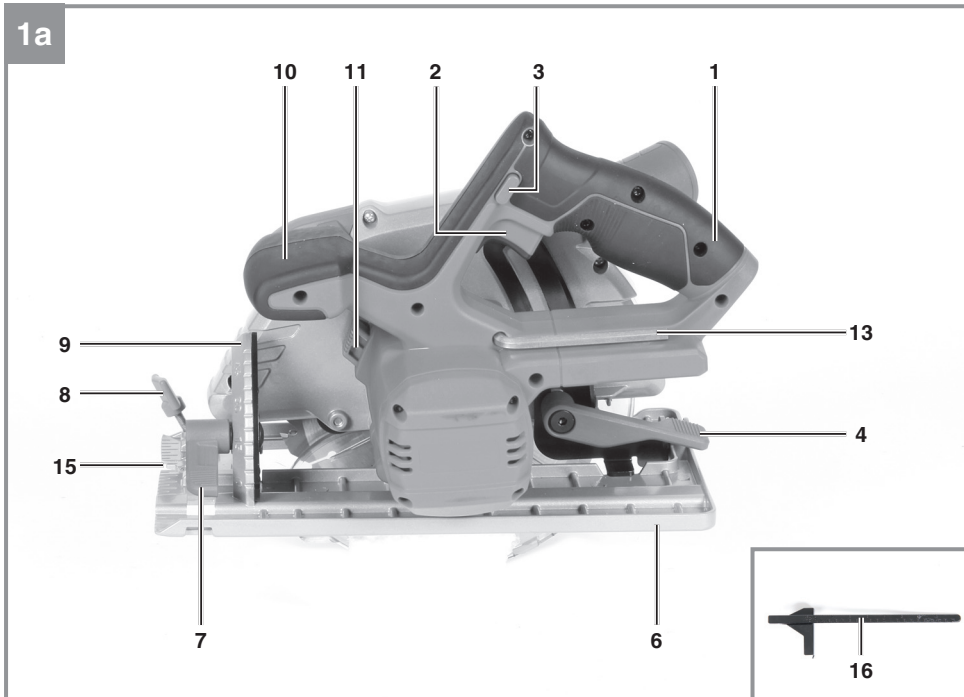
TP-CS 18/190 Li BL

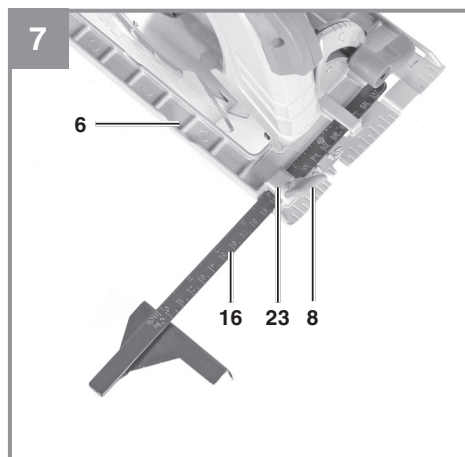
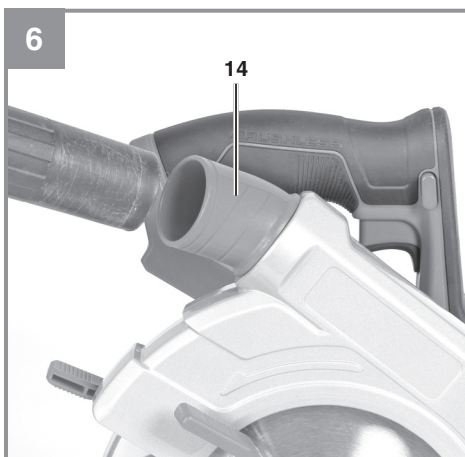
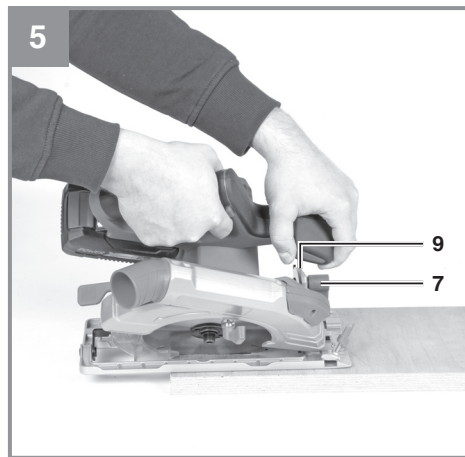
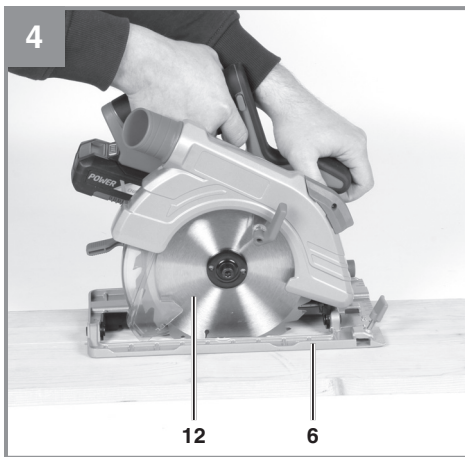
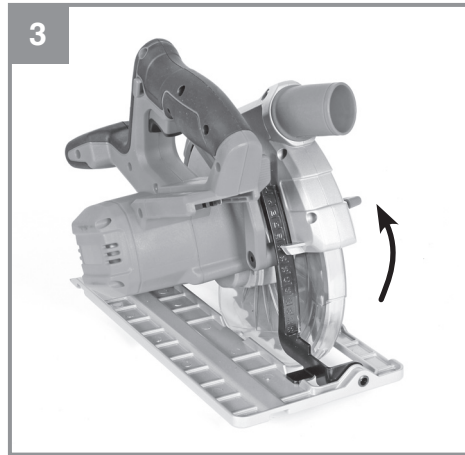
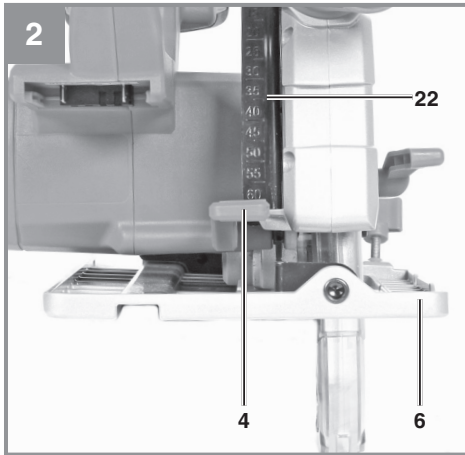
- EN Operating instructions  
Cordless Circular Saw
- FR Mode d'emploi  
Scie circulaire sans fil
- SP Manual de instrucciones  
Sierra circular de mano  
inalámbrica

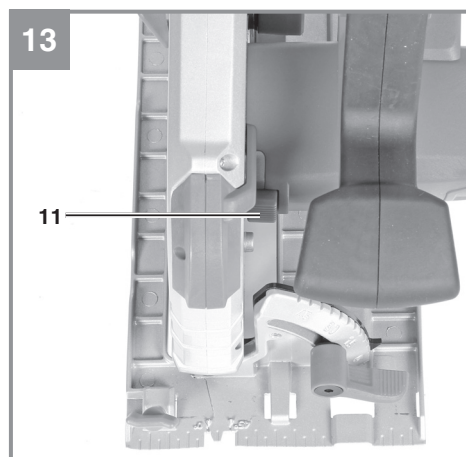
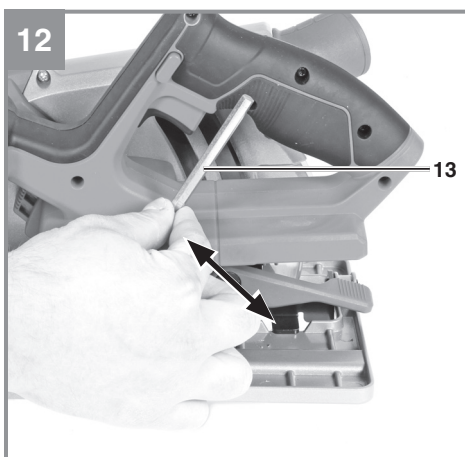
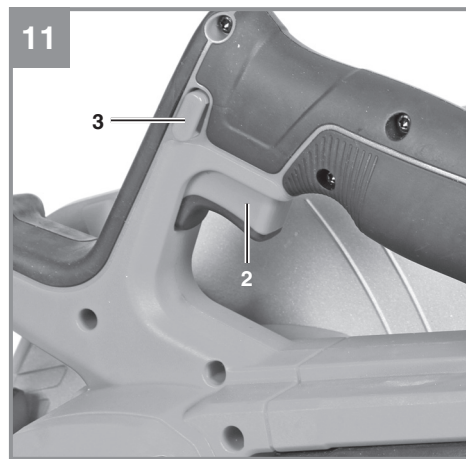
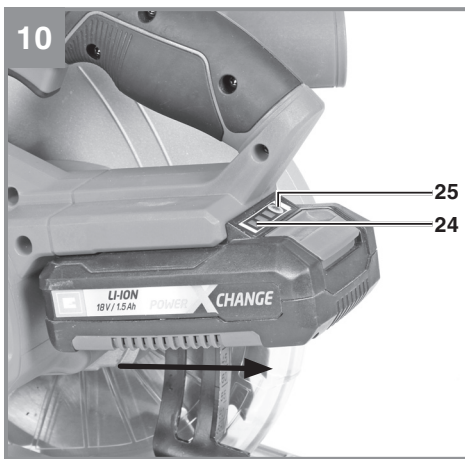
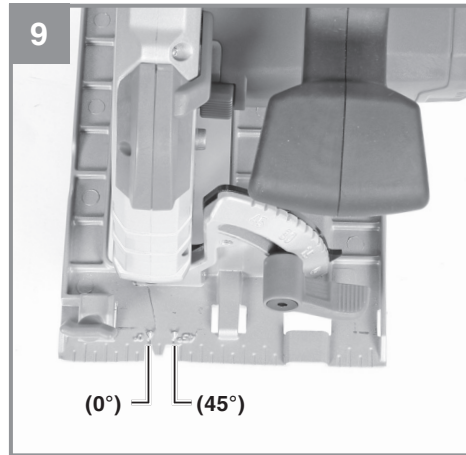
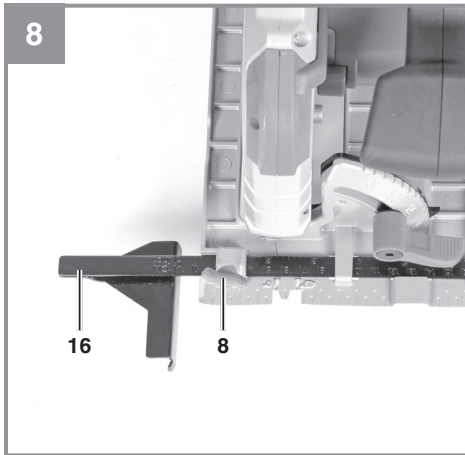


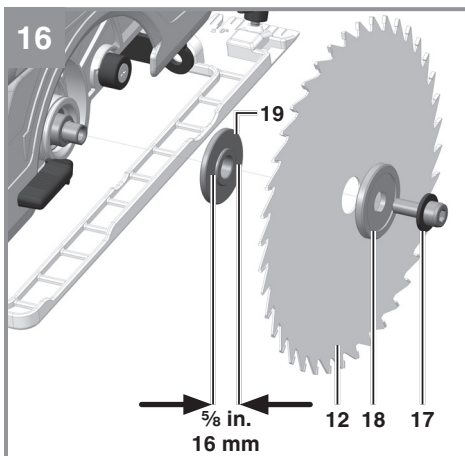
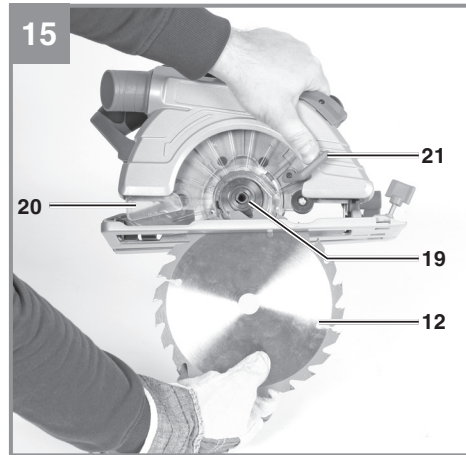
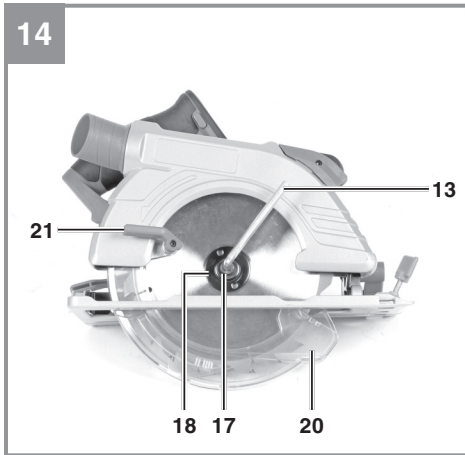
Art.-Nr.: 4331211

I.-Nr.: 21021











**Danger!** - Read the operating instructions to reduce the risk of injury.



**Caution! Wear ear-muffs.** The impact of noise can cause damage to hearing.



**Caution! Wear a breathing mask.** Dust which is injurious to health can be generated when working on wood and other materials. Never use the tool to work on any materials containing asbestos!



**Caution! Wear safety goggles.** Sparks generated during work or splinters, chips and dust emitted by the equipment can cause loss of sight.



Store the batteries only in dry rooms with an ambient temperature of 50°F to 104°F (+10°C to +40°C). Place only fully charged batteries in storage (charged at least 40%).



**Pull out the plug or remove the rechargeable battery!**



**Caution! Do not look into the light beam.**

**DANGER!**

When using the equipment, a number of safety precautions must be observed to avoid injuries and damage. Please read the complete operating instructions and safety information with due care. Keep these operating instructions in a safe place so that the information is available at all times. If you give the equipment to any other person, hand over these operating instructions and the safety information as well. We cannot accept any liability for damage or accidents which arise due to failure to follow these instructions and the safety information.

## 1. Safety information

**DANGER!**

**Read all the safety information and instructions.** Failure to adhere to the safety information and instructions set out below may result in electric shock, fire and/or serious injury. **Keep all the safety information and instructions in a safe place for future use.**

### General safety information for power tools

The term "power tool" used in the safety regulations refers to power tools operated from the mains power supply (with a power cable) and to battery operated power tools (without a power cable).

#### 1) Work area safety

- a) **Keep work area clean and well lit.** *Cluttered and dark areas invite accidents.*
- b) **Do not operate power tools in explosive atmospheres, such as in the presence of flammable liquids, gases or dust.** *Power tools create sparks which may ignite the dust or fumes.*
- c) **Keep children and bystanders away while operating a power tool.** *Distractions can cause you to lose control.*

#### 2) Electrical safety

- a) **Power tool plugs must match the outlet. Never modify the plug in any way. Do not use any adapter plugs with earthed (grounded) power tools.** *Unmodified plugs and matching outlets will reduce risk of electric shock.*
- b) **Avoid body contact with earthed or grounded surfaces such as pipes, radiators, ranges and refrigerators.** *There*

*is an increased risk of electric shock if your body is earthed or grounded.*

- c) **Do not expose power tools to rain or wet conditions.** *Water entering a power tool will increase the risk of electric shock.*
  - d) **Do not abuse the cord. Never use the cord for carrying, pulling or unplugging the power tool. Keep cord away from heat, oil, sharp edges or moving parts.** *Damaged or entangled cords increase the risk of electric shock.*
  - e) **When operating a power tool outdoors, use an extension cord suitable for outdoor use.** *Use of a cord suitable for outdoor use reduces the risk of electric shock.*
  - f) **If operating a power tool in a damp location is unavoidable, use a ground fault circuit interruptor (GFCI) protected supply.** *Use of an GFCI reduces the risk of electric shock.*
- #### 3) Personal safety
- a) **Stay alert, watch what you are doing and use common sense when operating a power tool. Do not use a power tool while you are tired or under the influence of drugs, alcohol or medication.** *A moment of inattention while operating power tools may result in serious personal injury.*
  - b) **Use personal protective equipment. Always wear eye protection.** *Protective equipment such as dust mask, non-skid safety shoes, hard hat, or hearing protection used for appropriate conditions will reduce personal injuries.*
  - c) **Prevent unintentional starting. Ensure the switch is in the Off-position before connecting to power source and/or BATTERY pack, picking up or carrying the tool.** *Carrying power tools with your finger on the switch or energizing power tools that have the switch on invites accidents.*
  - d) **Remove any adjusting key or wrench before turning the power tool on.** *A wrench or a key left attached to a rotating part of the power tool may result in personal injury.*
  - e) **Do not overreach. Keep proper footing and balance at all times.** *This enables better control of the power tool in unexpected situations.*
  - f) **Dress properly. Do not wear loose clothing or jewellery. Keep your hair, clothing and gloves away from moving parts.** *Loose clothes, jewelry or long hair*

- can be caught in moving parts.
- g) **If devices are provided for the connection of dust extraction and collection facilities, ensure these are connected and properly used.** *Use of these devices can reduce dust related hazards.*
- h) **Do not let familiarity gained from frequent use of tools allow you to become complacent and ignore tool safety principles.** *A careless action can cause severe injury within a fraction of a second.*
- 4) Power tool use and care**
- a) **Do not force the power tool. Use the correct power tool for your application.** *The correct power tool will do the job better and safer at the rate for which it was designed.*
- b) **Do not use the power tool if the switch does not turn it on and off.** *Any power tool that cannot be controlled with the switch is dangerous and must be repaired.*
- c) **Disconnect the plug from the power source and/or remove the battery pack, if detachable, from the power tool before making any adjustments, changing accessories, or storing power tools.** *Such preventive safety measures reduce the risk of starting the power tool accidentally.*
- d) **Store idle power tools out of the reach of children and do not allow persons unfamiliar with the power tool or these instructions to operate the power tool.** *Power tools are dangerous in the hands of untrained users.*
- e) **Maintain power tools and accessories. Check for misalignment or binding of moving parts, breakage of parts and any other condition that may affect the power tool's operation. If damaged, have the power tool repaired before use.** *Many accidents are caused by poorly maintained power tools.*
- f) **Keep cutting tools sharp and clean.** *Properly maintained cutting tools with sharp cutting edges are less likely to bind and are easier to control.*
- g) **Use the power tool, accessories and tool bits etc., in accordance with these instructions and in the manner intended for the particular type of power tool, taking into account the working conditions and the work to be performed.** *Use of the power tool for operations different from intended could result in a hazardous situation.*
- h) **Keep handles and grasping surfaces dry, clean and free from oil and grease.** *Slippery handles and grasping surfaces do not allow for safe handling and control of the tool in unexpected situations.*
- 5) Battery tool use and care**
- a) **Recharge only with the charger specified by the manufacturer.** *A charger that is suitable for one type of battery pack may create a risk of fire when used with another battery pack.*
- b) **Use power tools only with specifically designated battery packs.** *Use of any other battery packs may create a risk of injury and fire.*
- c) **When battery pack is not in use, keep it away from other metal objects, like paper clips, coins, keys, nails, screws or other small metal objects that can make a connection from one terminal to another.** *Shorting the battery terminals together may cause burns or a fire.*
- d) **Under abusive conditions, liquid may be ejected from the battery; avoid contact. If contact accidentally occurs, flush with water. If liquid contacts eyes, additionally seek medical help.** *Liquid ejected from the battery may cause irritation or burns.*
- e) **Do not use a BATTERY pack or tool that is damaged or modified.** *Damaged or modified batteries may exhibit unpredictable behavior resulting in fire, EXPLOSION or risk of injury.*
- f) **Do not expose a BATTERY pack or tool to fire or excessive temperature.** *Exposure to fire or temperature above 266°F (130°C) may cause explosion.*
- g) **Follow all charging instructions and do not charge the BATTERY pack or tool outside the temperature range specified in the instructions.** *Charging improperly or at temperatures outside the specified range may damage the BATTERY and increase the risk of fire.*
- 6) Service**
- a) **Have your power tool serviced by a qualified repair person using only identical replacement parts.** *This will ensure that the safety of the power tool is maintained.*
- b) **Never service damaged BATTERY packs.** *Service of BATTERY packs should only be*



*performed by the manufacturer or authorized service providers.*

#### **Additional safety instructions**

We pay a great deal of attention to the design of every battery pack to ensure that we supply you with batteries which feature maximum power density, durability and safety. The battery cells have a wide range of safety devices. Each individual cell is initially formatted and its electrical characteristic curves are recorded. These data are then used exclusively to be able to assemble the best possible battery packs.

**Despite all the safety precautions, caution must always be exercised when handling batteries. The following points must be obeyed at all times to ensure safe use. Safe use can only be guaranteed if undamaged cells are used. Incorrect handling can cause cell damage.**

**Caution!** Analyses confirm that incorrect use and poor care are the main causes of the damage caused by high performance batteries.

#### **Information about the battery**

1. The battery pack supplied with your cordless tool is not charged. The battery pack has to be charged before you use the tool for the first time.
2. For optimum battery performance avoid low discharge cycles. Charge the battery pack frequently.
3. Store the battery pack in a cool place, ideally at 59°F (15°C) and charged to at least 40%.
4. Lithium-Ion batteries are subject to a natural ageing process. The battery pack must be replaced at the latest when its capacity falls to just 80% of its capacity when new. Weakened cells in an aged battery pack are no longer capable of meeting the high power requirements and therefore pose a safety risk.
5. Do not throw battery packs into an open fire. There is a risk of explosion!
6. Do not ignite the battery pack or expose it to fire.
7. **Do not exhaustively discharge batteries.** Exhaustive discharge will damage the battery cells. The most common cause of deep discharge is lengthy storage or non-use of partly discharged batteries. Stop working as soon as the performance of the battery falls noticeably or the electronic protection system triggers. Place the battery pack in storage only after it has been fully charged.

8. **Protect batteries and the tool from overloads.** Overloads will quickly result in overheating and cell damage inside the battery housing without this overheating actually being apparent externally.
9. **Avoid damage and shocks.** Replace batteries which have been dropped from a height of more than one meter or which have been exposed to violent shocks without delay, even if the housing of the battery pack appears to be undamaged. The battery cells inside the battery may have suffered serious damage. In this respect, please also read the waste disposal information.
10. If the battery pack suffers overloading and overheating, the integrated protective cut-off will switch off the equipment for safety reasons. Caution! Do not press the ON/OFF switch any more if the protective cut-off has actuated. This may damage the battery.
11. Use only original battery packs. The use of other batteries may result in injuries, explosion and a fire risk.
12. **Protect your rechargeable battery against moisture, rain and high humidity.** Moisture, rain and high humidity can cause dangerous cell damage. Never charge or work with batteries which have been exposed to moisture, rain or high humidity – replace them immediately.
13. If your equipment is fitted with a detachable battery, remove the battery for safety reasons after you have finished your work.

#### **Information on chargers and the charging process**

1. Please check the data marked on the rating plate of the battery charger. Be sure to connect the battery charger to a power supply with the voltage marked on the rating plate. Never connect it to a different mains voltage.
2. Protect the battery charger and its cable from damage and sharp edges. Have damaged cables repaired without delay by a qualified electrician.
3. Keep the battery charger, batteries and the cordless tool out of children's reach.
4. Do not use damaged battery chargers.
5. Do not use the supplied battery charger to charge other cordless tools.
6. In heavy use the battery pack will become warm. Allow the battery pack to cool to room temperature before commencing with the charging.
7. **Do not over-charge batteries.** Do not

exceed the maximum charging times. These charging times apply only to discharged batteries. Frequent insertion of a charged or partly charged battery pack will result in over-charging and cell damage. Do not leave batteries in the charger for more than 48 hours.

8. **Never use or charge batteries if you suspect that the last time they were charged was more than 12 months previously.** There is a high probability that the battery pack has already suffered dangerous damage (exhaustive discharge).
9. Charging batteries at a temperature below 50°F (10°C) will cause chemical damage to the cell and may cause a fire.
10. Do not use batteries which have heated during the charging process, as the battery cells may have suffered dangerous damage.
11. Do not use batteries which have suffered curvature or deformation during the charging process or which show other non-typical symptoms (gassing, hissing, cracking,...)
12. Never fully discharge the battery pack (recommended depth of discharge max. 80%) A complete discharge of the battery pack will lead to premature ageing of the battery cells.
13. Never charge the batteries unsupervised.

#### Protection from environmental influences

1. Wear suitable work clothes. Wear safety goggles.
2. **Protect your cordless tool and the battery charger from moisture and rain.** Moisture and rain can cause dangerous cell damage.
3. Do not use the cordless tool or the battery charger near vapors and inflammable liquids.
4. Use the battery charger and cordless tools only in dry conditions and an ambient temperature of 50°F to 104°F (10°C to 40°C).
5. Do not keep the battery charger in places where the temperature is liable to reach over 104°F (40°C). In particular, do not leave the battery charger in a car that is parked in the sunshine.
6. **Protect batteries from overheating.** Overloads, over-charging and exposure to direct sunlight will result in overheating and cell damage. Never charge or work with batteries which have been overheated – replace them immediately if possible.
7. **Storage of batteries, battery chargers and cordless tools.** Store the charger and your cordless tool only in dry places with an

ambient temperature of 50°F to 104°F (10°C to 40°C). Store the Lithium-Ion rechargeable battery in a cool and dry place at 50°F to 68°F (10°C to 20°C). Protect them from humidity and direct sunlight! Place only fully charged batteries in storage (charged at least 40%).

8. Prevent the Lithium-Ion battery pack from freezing. Battery packs which were stored below 32°F (0°C) for more than 60 minutes must be disposed of.
9. When handling batteries beware of electrostatic charge: Electrostatic discharges cause damage of the electronic protection system and the battery cells. Avoid electrostatic charging and never touch the battery poles.

#### Battery Caution + Disposal

##### Disposal

Should your appliance need replacement after extended use, do not dispose of it with the household refuse, but in an environmentally safe way.



Waste produced by electrical machine items should not be handled like normal household rubbish. Please recycle where recycle facilities exist. Check with your local authority or retailer for recycling advice.

Always dispose of your battery pack according to federal, state, provincial and local regulations. Contact a recycling agency in your area for recycling locations.

**⚠ CAUTION!** Even discharged battery packs contain some energy. Before disposing, use electrical tape to cover the terminals to prevent the battery pack from shorting, which could cause a fire or explosion.

**⚠ WARNING!** To reduce the risk of injury or explosion, never burn or incinerate a battery pack even if it is damaged, dead, or completely discharged. When burned, toxic fumes and materials are emitted into the surrounding atmosphere.

1. Batteries vary according to device. Consult your manual for specific information.
2. Install only new batteries of the same type in your product (where applicable).
3. Failure to insert batteries in the correct polarity, as indicated in the battery compartment or manual, may shorten the life of the batteries or cause batteries to leak.
4. Do not mix old and new batteries.
5. Do not mix Alkaline, Standard (Carbon-Zinc),

- or Rechargeable (Nickel Cadmium, Nickel Metal Hydride, or Lithium-Ion) batteries.
- 6. Do not dispose of batteries in fire.
- 7. Batteries should be recycled or disposed of as per state, provincial and local guidelines.

**When shipping or disposing of batteries and cordless tools, always ensure that they are packed individually in plastic bags to prevent short circuits and fires.**

#### Safety instructions for all saws

##### Cutting procedures

- a) **DANGER: Keep hands away from cutting area and the blade. Keep your second hand on auxiliary handle, or motor housing.** If both hands are holding the saw, they cannot be cut by the blade.
- b) **Do not reach underneath the workpiece.** The guard cannot protect you from the blade below the workpiece.
- c) **Adjust the cutting depth to the thickness of the workpiece.** Less than a full tooth of the blade teeth should be visible below the workpiece.
- d) **Never hold the workpiece in your hands or across your leg while cutting. Secure the workpiece to a stable platform.** It is important to support the work properly to minimise body exposure, blade binding, or loss of control.
- e) **Hold the power tool by insulated gripping surfaces, when performing an operation where the cutting tool may contact hidden wiring or its own cord.** Contact with a "live" wire will also make exposed metal parts of the power tool "live" and could give the operator an electric shock.
- f) **When ripping, always use a rip fence or straight edge guide.** This improves the accuracy of cut and reduces the chance of blade binding.
- g) **Always use blades with correct size and shape (diamond versus round) of arbor holes.** Blades that do not match the mounting hardware of the saw will run off-centre, causing loss of control.
- h) **Never use damaged or incorrect blade washers or bolt.** The blade washers and bolt were specially designed for your saw, for optimum performance and safety of operation.

#### Further safety instructions for all saws Kickback causes and related warnings

- Kickback is a sudden reaction to a pinched, jammed or misaligned saw blade, causing an uncontrolled saw to lift up and out of the workpiece toward the operator;
- When the blade is pinched or jammed tightly by the kerf closing down, the blade stalls and the motor reaction drives the unit rapidly back toward the operator;
- If the blade becomes twisted or misaligned in the cut, the teeth at the back edge of the blade can dig into the top surface of the wood causing the blade to climb out of the kerf and jump back toward the operator.

Kickback is the result of saw misuse and/or incorrect operating procedures or conditions and can be avoided by taking proper precautions as given below.

- a) **Maintain a firm grip with both hands on the saw and position your arms to resist kickback forces. Position your body to either side of the blade, but not in line with the blade.** Kickback could cause the saw to jump backwards, but kickback forces can be controlled by the operator, if proper precautions are taken.
- b) **When blade is binding, or when interrupting a cut for any reason, release the trigger and hold the saw motionless in the material until the blade comes to a complete stop. Never attempt to remove the saw from the work or pull the saw backward while the blade is in motion or kickback may occur.** Investigate and take corrective actions to eliminate the cause of blade binding.
- c) **When restarting a saw in the workpiece, centre the saw blade in the kerf so that the saw teeth are not engaged into the material.** If a saw blade binds, it may walk up or kickback from the workpiece as the saw is restarted.
- d) **Support large panels to minimise the risk of blade pinching and kickback.** Large panels tend to sag under their own weight. Supports must be placed under the panel on both sides, near the line of cut and near the edge of the panel.
- e) **Do not use dull or damaged blades.** Unsharpened or improperly set blades produce narrow kerf causing excessive friction, blade binding and kickback.

- f) **Blade depth and bevel adjusting locking levers must be tight and secure before making the cut.** If blade adjustment shifts while cutting, it may cause binding and kickback.
- g) **Use extra caution when sawing into existing walls or other blind areas.** The protruding blade may cut objects that can cause kickback.

#### **Safety instructions for saws with pendulum guard and saws with tow guard**

##### **Lower guard function**

- a) **Check the lower guard for proper closing before each use. Do not operate the saw if the lower guard does not move freely and close instantly. Never clamp or tie the lower guard into the open position.** If the saw is accidentally dropped, the lower guard may be bent. Raise the lower guard with the retracting handle and make sure it moves freely and does not touch the blade or any other part, in all angles and depths of cut.
- b) **Check the operation of the lower guard spring. If the guard and the spring are not operating properly, they must be serviced before use.** Lower guard may operate sluggishly due to damaged parts, gummy deposits, or a build-up of debris.
- c) **The lower guard may be retracted manually only for special cuts such as "plunge cuts" and "compound cuts". Raise the lower guard by the retracting handle and as soon as the blade enters the material, the lower guard must be released.** For all other sawing, the lower guard should operate automatically.
- d) **Always observe that the lower guard is covering the blade before placing the saw down on bench or floor.** An unprotected, coasting blade will cause the saw to walk backwards, cutting whatever is in its path. Be aware of the time it takes for the blade to stop after switch is released.

#### **SAVE THESE INSTRUCTIONS**

## **2. Layout and items supplied**

### **2.1 Layout**

1. Handle
2. On/Off switch
3. Locking button for On/Off switch
4. Locking lever for cutting depth setting
5. LED lamp
6. Soleplate
7. Locking lever for miter setting
8. Locking screw for parallel stop
9. Scale for miter angle
10. Additional handle
11. Spindle lock
12. Saw blade
13. Saw blade wrench
14. Connection for sawdust extractor
15. Line guide
16. Edge guide
17. Screw for securing the saw blade
18. Flange
19. Inner Washer
20. Swing guard hood
21. Lever for swing guard hood
22. Scale for sawing depth
23. Guide
24. Battery capacity indicator
25. Battery capacity indicator button

### **2.2 Items supplied**

Please check that the article is complete as specified in the scope of delivery. If parts are missing, please contact our service center or the store where you made your purchase at the latest within 5 work days after purchasing the article and upon presentation of a valid bill of purchase.

- Open the packaging and take out the equipment with care.
- Remove the packaging material and any packaging and/or transportation braces (if present).
- Check to see if all the items are supplied.
- Inspect the equipment and accessories for transport damage.
- If possible, keep the packaging until the end of the guarantee period.

#### **Danger!**

**The equipment and packaging material are not toys. Do not let children play with plastic bags, plastic sheets and small parts. There is a risk of choking and suffocating!**

- Cordless circular saw
- Saw blade
- Saw blade wrench
- Edge guide
- Original operating instruction with safety information

#### Separately available accessories

18V 1.5Ah PXC Lithium-Ion battery  
 18V 2.0Ah PXC Lithium-Ion battery  
 18V 2.5Ah PXC Lithium-Ion battery  
 18V 3.0Ah PXC Lithium-Ion battery  
 18V 4.0Ah PXC Lithium-Ion battery  
 18V 3.0Ah PXC Plus Lithium-Ion battery  
 18V 4.0Ah PXC Plus Lithium-Ion battery  
 18V 5.2Ah PXC Plus Lithium-Ion battery  
 18V 4.0Ah/6.0Ah PXC Plus Lithium-Ion battery  
 18V 5.0Ah/8.0Ah PXC Plus Lithium-Ion battery  
 18V PXC Dual Port Fast Charger  
 18V PXC Fast Charger

Contact your local retailer for more specific models of batteries and charger available in your area. You can also explore battery + charger options at Einhell.com.


### 3. Intended use

The cordless hand-held circular saw is designed for sawing straight cuts in wood, wood-type materials and plastics. When you are cutting plastics, avoid overheating the tips of the blade as this could melt the material.

The equipment is allowed to be used only for its prescribed purpose. Any other use is deemed to be a case of misuse. The user/operator and not the manufacturer will be liable for any damage or injuries of any kind resulting from such misuse.

Please note that our equipment has not been designed for use in commercial, trade or industrial applications. Our warranty will be voided if the equipment is used in commercial, trade or industrial businesses or for equivalent purposes.

### 4. Technical data

Motor power supply: ..... 18 V   
 Idling speed: ..... 3800 RPM (min<sup>-1</sup>)  
 Cutting depth at 90°: ..... 2-1/2" (62 mm)  
 Cutting depth at 45°: ..... 1-3/4" (43 mm)  
 Saw blade: ..... Ø 7-1/4" (184 mm)  
 Arbor: ..... Ø 5/8" (16 mm)  
 Blade thickness: ..... 1/16" (1.6 mm)  
 Weight (Tool only): ..... 7.14 lbs (3.24 kg)

#### Wear ear-muffs.

The impact of noise can cause damage to hearing.

#### Reduce noise generation and vibration to a minimum!

- Use only equipment that is in perfect condition.
- Maintain and clean the equipment regularly.
- Adapt your way of working to the equipment.
- Do not overload the equipment.
- Have the equipment checked if necessary.
- Switch off the equipment when not in use.

#### CAUTION!

##### Residual risks

**Even if you use this electric power tool in accordance with the instructions, certain residual risks cannot be eliminated. The following hazards may arise in connection with the equipment's construction and layout:**

1. Lung damage if no suitable protective dust mask is used.
2. Damage to hearing if no suitable ear protection is applied.
3. Health damage caused by hand-arm vibrations if the equipment is used over a longer period or is not properly guided and maintained.

## 5. Before starting the equipment

### Warning!

Always remove the battery pack before making adjustments to the equipment.

### 5.1 Setting the cutting depth (Figure 2/3)

- Release the handle on the rear of the guard hood for adjusting the cutting depth (4).
- Place the soleplate (6) flat on the surface of the workpiece you wish to saw. Raise the saw until the saw blade (12) is at the required cutting depth (22).
- Tighten the handle for adjusting the cutting depth (4). Check that everything is securely fastened.

### 5.2 Miter stop (Figure 4/5)

- The preset standard angle between the saw foot (6) and the saw blade (12) is 90°. You can adjust this angle to carry out angled cuts.
- Release the locking lever for miter setting (7) on the front of the saw foot.
- You can now adjust the cutting angle by up to 45°. Keep an eye on the cutting angle scale (9) as you do so.
- Refasten the locking screw for miter setting (7). Check that everything is securely fastened.

### 5.3 Extraction of dust and chips (Fig. 6)

- Connect a suitable vacuum cleaner to the provided sawdust extractor connection (14) of your circular saw (vacuum cleaner not included). This will ensure optimum dust extraction from the workpiece. The benefits are that you will protect both the equipment and your own health. Your work area will also be cleaner and safer.
- Dust created when working may be dangerous. Refer to the section entitled "Safety instructions".
- Important! The vacuum cleaner you use for the vacuum extraction must be suitable for the material you are cutting.
- Check that all parts are properly joined together.

### 5.4 Edge guide (Figure 7/8)

- The edge guide (16) enables you to saw parallel lines.
- Loosen the locking screw for the edge guide (8) on the saw foot (6).
- To assemble, slide the edge guide (16) into

the guide (23) on the saw foot (6) (see Fig. 7)

- Set the required distance and then tighten the locking screw (8) again.
- Using the edge guide: Position the parallel stop (16) flat on the edge of the workpiece and start the sawing.

### Important! Carry out a trial cut in a piece of waste wood

### 5.5 Line guide (Fig. 9)

Using the line guide (15) you can carry out exact cuts following cutting lines marked on the workpiece. Use the mark for the 0° or 90° angle setting and the mark for the 45° angle setting. For information on the angle setting see 5.2

### Important! Carry out a trial cut in a piece of waste wood

## 6. Operation

### Warning!

Always remove the battery pack before making adjustments to the equipment.

### 6.1 Working with the cordless hand-held circular saw

- Always hold the tool firmly by the handles provided (1 and 10) to ensure that you handle it safely when using it.
- The swing guard hood (20) is pushed back automatically by the workpiece.
- Do not use force! Push forwards gently and evenly with the circular saw.
- The waste piece should be on the right-hand side of the circular saw so that the wide section of the support bench supports its full area.
- If you are sawing down a line that has been drawn, guide the circular saw along the corresponding notch.
- Clamp small pieces of wood securely before sawing them. Never hold them with your hand.
- Always follow the safety instructions. Wear safety goggles.
- Do not use defective saw blades or blades that are cracked or broken.
- Do not use any flanges / flange nuts whose bore hole is larger or smaller than those in the saw blade.
- The saw blade must not be decelerated by hand or by applying lateral pressure to the blade.

- Check that the swing guard hood works properly. The swing guard hood must not jam, and it must return to its initial position when you have completed the cut.
- Before you use the circular saw, check the function of the swing guard hood with the battery disconnected.
- Before you use the machine, make sure that the safety equipment such as the swing guard hood, flanges and adjustment devices are in working order and are correctly adjusted and secured.
- You can connect a suitable dust extraction system to the sawdust extraction connector (14). Make sure that the dust extraction system is safely and correctly connected.
- The moving swing guard hood must not be fixed in the retracted guard hood when the saw is in use.

### 6.2 Using the cordless hand-held circular saw

- Adjust the cutting depth, cutting angle and parallel stop (see section 5.1, 5.2 and 5.4)
- Do not switch on the circular saw until you have fitted a saw blade.
- Place the saw foot flat on the workpiece you want to saw. The saw blade must not be in contact with the workpiece.
- Hold the circular saw firmly with both hands.

### 6.3 Switching On/Off (Fig. 11)

#### Switching on:

Press the locking button (3) and the On/Off switch (2) at the same time.

- Allow the saw blade to accelerate until it reaches full speed. Then slowly move the saw blade along the cutting line. Exert only gentle pressure on the saw blade as you do so.

#### Switching off:

Release the locking button and ON/OFF switch

- When you let go of the handle, the machine will shut down automatically. It is impossible therefore for the saw to run unintentionally.
- Ensure that you do not cover or block the ventilation openings while working with the tool.
- After you have switched off the saw, do not slow down the saw blade by applying pressure to its side.
- Important! Do not put down the machine until the saw blade has reached a complete standstill.

**Important! Carry out a trial cut in a piece of waste wood.**

### 6.4 Changing the saw blade (Fig. 12-16)

#### Warning!

Always remove the battery pack before making adjustments to the equipment.

Use only saw blades which are of the same type as the saw blade supplied with this circular saw. Ask your dealer for advice.

#### Warning!

Do not use grinding wheels!

The diameters of the saw blades used must correspond to the diameters specified on the hand-held circular saw blade!

Use only recommended saw blades!

Use the saw blade key (13) supplied to change the saw blade. The saw blade key (13) is stored in the housing. If required, pull the saw blade key (13) out of the housing (see Figure 13).

**Important!** For safety reasons, the cordless hand-held circular saw must not be operated with the saw blade key (13) inserted in it.

- Press the spindle lock (11).
- Undo the screw (clockwise) to secure the saw blade (17)
- Push back and secure the moving swing guard hood (20) using the lever for the swing guard hood (21).
- Remove the flange (18) and the saw blade (12) in a downwards direction.
- Clean the flange and insert the new saw blade. Pay attention to the running direction (see arrow on the guard hood and saw blade).
- Tighten the screw (counterclockwise) to secure the saw blade (17) and check that the blade runs true.
- Before you press the On/Off switch, make sure that the saw blade is correctly fitted and that moving parts run smoothly and the clamping screws are tightened securely.

### 6.5 LED lamp (Fig. 1/Item 5)

The LED lamp (5) can be used in poor lighting conditions to additionally illuminate the cutting position. The LED light (5) will come on automatically as soon as you press the locking button for the On/Off switch (3).

### 6.6 Charging the Lithium-Ion battery (not included)

The corresponding instructions can be found in the original operating instructions for your charger.

### 6.7 Battery capacity indicator (Fig. 10 / item 24)

Press the battery capacity indicator switch (25). The battery capacity indicator (24) shows the charge status of the battery using 3 LEDs.

#### All 3 LEDs lit:

The battery is fully charged.

#### 2 or 1 LED(s) lit:

The battery has an adequate remaining charge.

#### 1 LED flashing:

The battery is empty, recharge the battery.

#### All LEDs flashing:

The temperature of the battery is too low. Remove the battery from the device and leave it at room temperature for a day. If the error occurs again, this means that the battery has been completely depth-discharged and is defective. Remove the battery from the device. Never use or charge a defective battery.

## 7. Cleaning and maintenance

### HAZARD!

Always take the battery out of the equipment before starting any cleaning work.

#### 7.1 Cleaning

- Keep all safety devices, air vents and the motor housing free of dirt and dust as far as possible. Wipe the equipment with a clean cloth or blow it down with compressed air at low pressure.
- We recommend cleaning the equipment immediately each time after use.
- Clean the equipment regularly with a damp cloth and some soft soap. Do not use cleaning agents or solvents; these may be aggressive to the plastic parts in the equipment. Ensure that no water can get into the interior of the equipment. The ingress of water into an electric power tool increases the risk of an electric shock.

### 7.2 Maintenance

There are no other parts inside the equipment which require maintenance.

## 8. Disposal and recycling

The equipment is supplied in packaging to prevent it from being damaged in transit. The raw materials in this packaging can be reused or recycled. The equipment and its accessories are made of various types of material, such as metal and plastic. Never place defective equipment in your household refuse. The equipment should be taken to a suitable collection center for proper disposal. If you do not know the whereabouts of such a collection point, you should ask in your local council offices.

## 9. Storage

Store the equipment and its accessories out of children's reach in a dark and dry place at above freezing temperature. The ideal storage temperature is between 41°F and 86°F (5°C and 30°C). Keep the electric tool in its original packaging.

The reprinting or reproduction by any other means, in whole or in part, of documentation and papers accompanying the products is strictly subject to the express consent of Einhell Germany AG.

Subject to technical changes.





**Danger!** - Lire le mode d'emploi pour diminuer le risque de blessures.



**Attention ! Portez une protection auditive.** Le bruit peut provoquer une perte d'acuité auditive.



**Attention ! Portez un masque anti-poussières.** Des poussières nocives peuvent être générées lors des travaux avec le bois et autres matériaux. Ne travaillez pas avec un matériau contenant de l'amiante !



**Attention ! Portez des lunettes de protection.** Les étincelles créées pendant le travail ou les éclats, les copeaux et les poussières sortant de l'appareil peuvent entraîner la perte de la vue.



Conservez les batteries uniquement dans des locaux secs et à une température ambiante de 50-104 °F (+10-+40 °C). Conservez les batteries uniquement en état chargé (au moins 40 % de charge).



**Retirez la fiche ou la batterie !**



**Attention ! Ne pas regarder dans le faisceau lumineux.**

**Danger !**

Certaines mesures de sécurité doivent être respectées pendant l'utilisation des appareils pour empêcher les blessures et les dommages. Par conséquent, lisez attentivement le présent mode d'emploi / les consignes de sécurité. Conservez-les bien pour avoir les informations toujours à la portée de la main. Si vous devez passer l'appareil à d'autres personnes, veuillez leur remettre également le présent mode d'emploi / les consignes de sécurité. Nous ne sommes pas tenus des accidents ou dommages survenus à cause de non-respect du présent mode d'emploi et des consignes de sécurité.

**1. Consignes de sécurité****Danger !**

**Lisez toutes les consignes de sécurité et instructions.** Le non-respect des consignes de sécurité et des instructions peut causer une électrocution, un incendie et / ou de graves blessures. **Conservez toutes les consignes de sécurité et instructions pour l'avenir.**

**Consignes générales de sécurité pour les outils électriques**

Le terme « outil électrique » utilisé dans les consignes de sécurité se réfère à des outils électriques alimentés par le secteur (avec câble d'alimentation) et à des outils électriques alimentés par la batterie (sans câble d'alimentation).

**1. Sécurité du lieu de travail**

- a) **Maintenez votre espace de travail propre et bien éclairé.** *Le désordre ou les espaces de travail non éclairés peuvent provoquer des accidents.*
- b) **Ne travaillez pas avec l'outil électrique dans une atmosphère explosible contenant des liquides, des gaz ou des poussières combustibles.** *Les appareils électriques génèrent des étincelles pouvant enflammer la poussière ou les vapeurs.*
- c) **Tenez à distance les enfants et autres personnes lors de l'utilisation de l'appareil électrique.** *En cas de distraction, vous pouvez perdre le contrôle de l'appareil.*

**2. Sécurité électrique**

- a) **La fiche de raccordement de l'appareil électrique doit être adaptée à la prise. La fiche ne doit être modifiée en aucune façon. N'utilisez pas de fiche d'adaptateur avec les outils électriques mis à la terre.** *Les fiches non modifiées et les prises adaptées diminuent le risque d'une électrocution.*
  - b) **Évitez le contact physique avec les surfaces mises à la terre, comme celles de conduits, des chauffages, des cuisinières et des réfrigérateurs.** *Il existe un risque élevé d'électrocution lorsque votre corps est mis à la terre.*
  - c) **Gardez les appareils électriques à l'abri de la pluie ou de l'humidité.** *La pénétration de l'eau dans un appareil électrique augmente le risque d'une électrocution.*
  - d) **Ne détournez pas le câble de sa fonction pour porter ou pour accrocher l'appareil électrique ou pour retirer la fiche de la prise. Gardez le câble à l'abri de la chaleur, de l'huile, des bords coupants ou des éléments mobiles de l'appareil.** *Les câbles endommagés ou enchevêtrés augmentent le risque d'une électrocution.*
  - e) **Si vous travaillez avec un appareil électrique dehors, utilisez uniquement une rallonge adaptée à l'usage à l'extérieur.** *L'utilisation d'une rallonge adaptée à l'usage à l'extérieur diminue le risque d'une électrocution.*
  - f) **Si l'appareil électrique doit être utilisé dans un environnement humide, utilisez un Disjoncteur de fuite à la terre.** *L'utilisation d'un disjoncteur de fuite à la terre diminue le risque d'une électrocution.*
- 3. Sécurité des personnes**
- a) **Soyez attentif, prenez garde à ce que vous faites et soyez raisonnable en travaillant avec un outil électrique. N'utilisez pas un appareil électrique si vous êtes fatigué ou si vous vous trouvez sous l'effet de drogues, d'alcool ou de médicaments.** *Un instant d'inattention lors de l'utilisation de l'appareil électrique peut entraîner de graves blessures.*
  - b) **Utilisez l'équipement de protection individuelle. Porter toujours une protection des yeux.** *L'équipement de protection, tel que le masque anti-poussière, les chaussures de sécurité antidérapantes, le casque protecteur ou la protection auditive utilisés dans des conditions appropriées, permet de réduire les*

- dommages corporels.*
- c) **Évitez tout démarrage non intentionnel. S'assurer que le bouton marche-arrêt est en position Arrêt (Off) avant de connecter la source de courant et/ou la BATTERIE, de prendre et de transporter l'outil. Transporter des outils électriques avec votre doigt sur le bouton marche-arrêt ou mettre sous tension des outils électriques dont le bouton marche-arrêt est position Marche (On) peut causer des accidents.**
- d) **Avant d'allumer l'outil électrique, retirez les outils de réglage ou les clés. Un outil ou une clé se trouvant dans un élément tournant de la machine peut entraîner des blessures.**
- e) **Évitez une posture anormale. Ayez un appui stable et gardez l'équilibre en permanence. Vous pouvez ainsi mieux contrôler l'outil électrique dans des situations imprévues.**
- f) **Portez des vêtements appropriés. Ne portez pas de vêtements amples ni de bijoux. Gardez les cheveux, les vêtements et les gants à distance des éléments mobiles. Des vêtements amples, bijoux ou longs cheveux peuvent être happés par les éléments mobiles.**
- g) **Si des dispositifs d'aspiration ou de récupération des poussières peuvent être montés, assurez-vous qu'ils sont connectés et peuvent être utilisés correctement. L'utilisation d'une aspiration des poussières peut diminuer les risques causés par la poussière.**
- h) **La familiarité acquise par l'utilisation fréquente des outils ne doit pas laisser place à la complaisance et à l'ignorance des principes de sécurité de l'outil. Une action imprudente peut causer de graves blessures en une fraction de seconde.**
- 4. Utilisation et traitement de l'outil électrique**
- a) **Ne surchargez pas l'appareil. Utilisez l'outil électrique adapté à votre application. Vous travaillez mieux et de manière plus sûre avec un outil électrique approprié dans la gamme de puissance indiquée.**
- b) **N'utilisez pas un outil électrique avec un interrupteur défectueux. Un outil électrique qui ne peut plus être allumé ou éteint est dangereux et doit être réparé.**
- c) **Débranchez la fiche de la source électrique et / ou retirez la batterie de l'outil électrique, si elle est amovible, avant de procéder à des ajustements, remplacer des accessoires ou ranger les outils électriques. De telles mesures préventives réduisent le risque de démarrage accidentel de l'outil électrique.**
- d) **Conservez les outils électriques non utilisés hors la portée des enfants. Ne permettez pas aux personnes qui ne sont pas familiarisées avec cet appareil ou qui n'ont pas lu ces instructions de l'utiliser. Les outils électriques sont dangereux lorsqu'ils sont utilisés par des personnes inexpérimentées.**
- e) **Entretenez les outils électriques et les accessoires. Vérifiez la dérive d'alignement ou l'attache des pièces mobiles, la rupture des pièces et s'assurer qu'aucun autre problème peut affecter le bon fonctionnement de l'outil électrique. Faire réparer l'outil endommagé avant l'utilisation. De nombreux accidents sont dus au mauvais entretien des outils électriques.**
- f) **Maintenez vos outils de coupe aiguisés et propres. Les outils de coupe aux bords tranchants bien soignés se coincent moins et sont plus aisés à guider.**
- g) **Utilisez l'outil électrique, les accessoires, les outils utilisés, etc. conformément au présent mode d'emploi. Tenez compte des conditions de travail et de l'activité à réaliser. L'utilisation des outils électriques pour des usages autres que prévus peut entraîner des situations dangereuses.**
- h) **Gardez les poignées et les surfaces de prise sèches, propres et exemptes d'huile et de graisse. Les poignées et surfaces de prise glissantes ne permettent pas d'effectuer une manipulation et un contrôle de l'outil en toute sécurité dans des situations imprévues.**
- 5. Utilisation et traitement de l'outil sans fil**
- a) **Chargez les batteries uniquement dans les chargeurs recommandés par le fabricant. L'utilisation d'un chargeur pour des batteries non appropriées présente un risque d'incendie.**
- b) **Utilisez dans les outils électriques uniquement les batteries prévues à cet effet. L'utilisation d'autres batteries peut entraîner des blessures et le risque d'incendie.**
- c) **Conservez la batterie non utilisée à distance des trombones, pièces de monnaie, clés, clous, vis ou autres menus objets en métal susceptibles de provoquer un**

**pontage des contacts.** *Un court-circuit entre les contacts de la batterie peut entraîner des brûlures ou le feu.*

- d) **En cas d'utilisation incorrecte, un liquide peut s'échapper de la batterie. Ne le touchez pas. Rincez à l'eau en cas de contact fortuit. Si le liquide entre en contact avec les yeux, consultez également le médecin.** *Le liquide s'échappant de la batterie peut causer des irritations cutanées ou des brûlures.*
- e) **Ne pas utiliser une BATTERIE ou un outil endommagé(e) ou modifié(e).** *Les batteries endommagées ou modifiées peuvent agir de manière imprévisible et donner lieu à un incendie, une EXPLOSION ou un risque de blessure.*
- f) **Ne pas exposer une BATTERIE ou un outil au feu ou à une température excessive.** *Une exposition au feu ou à une température supérieure à 266°F (130°C) peut causer une explosion.*
- g) **Suivre toutes les instructions de charge et ne pas charger la BATTERIE ou l'outil en dehors de la gamme de température spécifiée dans les instructions.** *Un mauvais chargement ou un chargement à des températures en dehors de la gamme spécifiée peut endommager la BATTERIE et augmenter les risques d'incendie.*
- 6. Service**
- a) **Faites réparer votre outil électrique uniquement par des spécialistes qualifiés et uniquement avec des pièces de rechange d'origine.** *Cela garantit le maintien de la sécurité de l'outil électrique.*
- b) **Ne jamais entretenir des BATTERIES endommagées.** *L'entretien des BATTERIES doit être effectué uniquement par le fabricant ou par des prestataires de service autorisés.*

#### Consignes spécifiques de sécurité

Nous construisons chaque batterie avec le plus grand soin possible pour pouvoir vous transmettre les batteries avec la densité énergétique, la durabilité et la sécurité maximales. Les cellules de batterie sont munies de dispositifs de sécurité de plusieurs niveaux. Chaque cellule individuelle est d'abord formatée, et leurs courbes caractéristiques sont enregistrées. Ensuite, ces données sont utilisées pour pouvoir regrouper les meilleures batteries possible.

**Malgré toutes les mesures de sécurité, il faut toujours être prudent en maniant les**

**batteries. Les points suivants doivent être impérativement respectés pour assurer le fonctionnement sûr.**

**Le fonctionnement sûr n'est possible qu'avec des cellules intactes ! Une manipulation incorrecte endommage les cellules.**

**Attention !** Des analyses confirment que l'utilisation gravement inappropriée et des soins incorrects constituent la cause principale des dommages dus aux batteries haute performance.

#### Consignes concernant les batteries

1. La batterie de l'appareil sans fil n'est pas chargée à la livraison. Par conséquent, la batterie doit être chargée avant la première mise en service.
2. Évitez des cycles de décharge à plat pour garantir la performance maximale de la batterie ! Chargez souvent votre batterie.
3. Conservez votre batterie au frais, au mieux à 59 °F (+15 °C), et chargée d'au moins à 40%.
4. Les batteries Lithium-Ion sont sujettes au vieillissement naturel. La batterie doit être remplacée au plus tard lorsque la capacité de la batterie ne correspond plus qu'à 80 % de l'état neuf. Les cellules affaiblies dans une batterie vieilli ne tiennent plus la tête aux exigences élevées en terme de performance et présentent ainsi un risque de sécurité.
5. Ne jetez pas les batteries usées dans le feu ouvert. Risque d'explosion !
6. Ne pas allumer la batterie et ne pas l'exposer à la combustion.
7. **Ne pas décharger complètement la batterie !** La décharge complète endommage les cellules de la batterie. La cause la plus fréquente de la décharge complète de la batterie constitue un stockage ou non-utilisation prolongés des batteries à moitié chargées. Terminez l'opération dès que la puissance diminue visiblement ou la protection électronique réagit. Ne conservez la batterie que complètement chargée.
8. **Protéger les batteries et l'appareil contre la surcharge !** Une surcharge provoque rapidement la surchauffe et l'endommagement des cellules à l'intérieur du boîtier de batterie, sans que cela puisse se voir de l'extérieur.
9. **Évitez les détériorations et les chocs !** Remplacez sur-le-champ les batteries ayant chuté d'une hauteur de plus d'un mètre ou ayant été exposées à des coups violents, même si le boîtier de la batterie semble intact.

Les cellules de la batterie peuvent être sérieusement endommagées à l'intérieur. Respectez à cet égard également les consignes d'élimination.

10. En cas de surcharge et de surchauffe, le circuit de protection intégré éteint l'appareil pour des raisons de sécurité.  
**Attention !** N'actionnez plus l'interrupteur marche / arrêt lorsque le circuit de protection a éteint l'appareil. Cela peut endommager la batterie.
11. N'utilisez que des batteries d'origine. L'utilisation d'autres batteries peut entraîner des blessures, une explosion et le risque d'incendie.
12. **Protégez votre batterie de l'humidité, de la pluie et de l'humidité de l'air élevée.** L'humidité, la pluie et l'humidité de l'air élevée peuvent endommager dangereusement les cellules. En aucun cas, ne chargez ni ne travaillez avec la batterie qui a été exposée à l'humidité, à la pluie ou à l'humidité de l'air élevée – remplacez-les immédiatement !
13. Si votre appareil est équipé d'une batterie amovible, retirez-la de votre appareil à la fin de votre travail pour des raisons de sécurité.

#### Consignes concernant le chargeur et la charge

1. Tenez compte des informations indiquées sur la plaque signalétique du chargeur. Raccordez le chargeur uniquement à la tension d'alimentation indiquée sur la plaque signalétique.
2. Protégez le chargeur et le fil contre l'endommagement et les bords coupants. Les câbles endommagés doivent être immédiatement remplacés par un électricien.
3. Protéger le chargeur, les batteries et l'appareil sans fil contre les enfants.
4. Ne pas utiliser des chargeurs endommagés.
5. N'utilisez pas le chargeur fourni pour charger d'autres appareils sans fil.
6. En cas de forte sollicitation, la batterie se réchauffe. Laissez refroidir la batterie à la température ambiante avant le chargement.
7. **Ne pas surcharger les batteries !** Respectez les durées maximales du chargement. Ces durées de chargement s'appliquent uniquement aux batteries déchargées. Le branchement répété d'une batterie chargée ou partiellement chargée entraîne la surcharge et l'endommagement des cellules. Ne pas laisser les batteries insérées dans le chargeur pendant plus que 48 heures.

8. **N'utilisez ni chargez pas les batteries que vous supposez avoir été chargées pour la dernière fois depuis plus de 12 mois.** Il est hautement probable que la batterie est déjà dangereusement endommagée (déchargement complet).
9. Un chargement à une température inférieure à 50 °F (10 °C) entraîne une détérioration chimique de la cellule et peut provoquer un incendie.
10. N'utilisez pas de batteries qui se sont réchauffées pendant le chargement, car les cellules de la batterie pourraient être dangereusement endommagées.
11. N'utilisez plus les batteries qui se sont bombées ou déformées pendant le chargement ou qui présentent des symptômes inhabituels (dégazage, sifflement, grésillement, ...).
12. Ne déchargez pas complètement la batterie (déchargement maximal recommandé max. 80 %). Le déchargement complet entraîne un vieillissement précoce des cellules de la batterie.
13. Ne chargez jamais les batteries sans surveillance !

#### Protection contre l'impact environnemental

1. Portez des vêtements de travail appropriés. Porter des lunettes de protection.
2. **Protégez votre appareil sans fil et le chargeur contre l'humidité et la pluie.** L'humidité et la pluie peuvent entraîner des endommagements dangereux des cellules.
3. Ne pas utiliser l'appareil sans fil et le chargeur dans un espace contenant des vapeurs et des liquides combustibles.
4. Utilisez le chargeur et les appareils sans fil uniquement en état sec et à une température ambiante de 50-104 °F (10-40 °C).
5. Ne conservez pas la batterie dans des endroits où la température peut être supérieure à 104 °F (40 °C), en particulier dans un véhicule garé au soleil.
6. **Protégez les batteries contre la surchauffe !** Une surcharge, un chargement excessif ou le rayonnement solaire entraînent la surchauffe et détériorent les cellules. Ne chargez ni travaillez en aucun cas avec les batteries qui ont été surchauffées, remplacez-les sans tarder.
7. **Conservation des batteries, des chargeurs et de l'appareil sans fil.** Conservez le chargeur et votre appareil sans fil uniquement dans des locaux secs à une température ambiante de 50-104 °F (10-40 °C).

- Conservez la batterie Lithium-Ion au frais et au sec à 50-68 °F (10-20 °C). Protégez contre l'humidité de l'air et le rayonnement solaire direct ! Conservez les batteries uniquement en état chargé (au moins 40 % de charge).
- Empêchez que la batterie Lithium-Ion gèle. Les batteries qui ont été conservées plus de 60 minutes au-dessous de 32 °F (0 °C) doivent être éliminées.
  - Attention lors de la manipulation des batteries en rapport avec la charge électrostatique : les décharges électrostatiques endommagent la protection électronique et les cellules de la batterie ! Par conséquent, évitez les décharges électrostatiques et ne touchez jamais les pôles de la batterie !

#### Mise en garde concernant les batteries et informations sur leur élimination

##### Élimination

Si votre outil doit être remplacé après une période d'utilisation prolongée, ne le jetez pas avec les ordures ménagères, mais éliminez-le d'une manière respectueuse pour l'environnement.



Les déchets produits par les éléments d'un outil ou d'une machine électrique ne doivent pas être traités comme des déchets ménagers. Veuillez les recycler dans les installations prévues à cet effet.

Pour obtenir des conseils sur le recyclage, communiquez avec les services publics locaux ou avec votre revendeur.

Éliminez toujours les batteries en vous conformant aux réglementations fédérales, provinciales ou territoriales et locales.

Communiquez avec un organisme de recyclage de votre région pour obtenir la liste des sites de recyclage.

**⚠ MISE EN GARDE!** Même déchargée, une batterie emmagasine une certaine énergie. Avant de l'éliminer, utilisez du ruban isolant pour couvrir les bornes et empêcher ainsi la batterie de provoquer un court-circuit, ce qui pourrait causer un incendie ou une explosion.

**⚠ AVERTISSEMENT!** Pour réduire le risque de blessure ou d'explosion, ne jamais brûler ou incinérer une batterie, même si elle est endommagée, à plat ou complètement déchargée. En brûlant, des vapeurs et des matières toxiques sont émises dans l'atmosphère environnante.

- Les batteries varient selon le type d'outils ou de machines. Consulter le manuel pour des

- renseignements spécifiques.
- Le cas échéant, insérez uniquement des batteries neuves de même type dans l'outil ou la machine.
  - Si, en l'insérant, la polarité de la batterie n'est pas respectée, comme indiqué dans le compartiment à batterie ou dans le manuel, sa durée de vie pourrait être réduite ou elle pourrait fuir.
  - Ne pas mélanger des batteries anciennes et des neuves.
  - Ne pas mélanger des batteries alcalines, standard (carbone/zinc) ou rechargeables (au nickel-cadmium, au nickel-métal-hydrure ou au lithium-ion).
  - Ne jeter aucune batterie au feu. Les cellules de batterie peuvent exploser.
  - Les batteries doivent être recyclées ou éliminées en observant les directives provinciales ou territoriales et locales.

**Pour expédier ou éliminer les batteries ou l'appareil sans fil, veillez à ce qu'ils soient emballés individuellement dans un sachet en plastique pour empêcher les courts-circuits ou les incendies !**

#### Consignes de sécurité pour toutes les scies Procédés de coupe

- DANGER : N'approchez pas vos mains de la zone de coupe ni de la lame. Gardez votre deuxième main sur la poignée supplémentaire ou sur le carter du moteur.** Si vos deux mains tiennent la scie, elles ne peuvent pas être coupées par la lame.
- Ne touchez pas le dessous de la pièce à travailler.** La protection ne peut pas vous protéger de la lame en dessous de la pièce à travailler.
- Ajustez la profondeur de coupe à l'épaisseur de la pièce à travailler.** Moins d'une dent entière de la lame devrait être visible en dessous de la pièce à travailler.
- Ne tenez jamais la pièce à travailler dans vos mains ni contre votre jambe pendant la coupe. Fixez la pièce à travailler à une plateforme stable.** Il est important de bien fixer la pièce pour réduire l'exposition du corps, le coincement de la lame ou la perte de contrôle.
- Tenez l'outil électrique par des surfaces de prise isolées lors de l'exécution d'une opération où l'outil de coupe peut être en contact avec des câbles dissimulés ou le cordon d'alimentation.** Le contact avec

un câble sous tension met sous tension des pièces métalliques exposées de l'outil électrique et pourraient causer un choc électrique à l'opérateur.

- f) **Lors du sciage, utilisez toujours un guide à refendre ou un guide de bord droit.** Cela accroît la précision de la coupe et réduit le risque de coincement de la lame.
- g) **Utilisez toujours les lames de taille et de forme correctes (losange vers rond) des alésages.** Les lames qui ne correspondent pas au matériel de fixation de la scie se dirigeront hors centre en entraînant la perte de contrôle.
- h) **N'utilisez jamais de rondelles ou boulons de lame endommagés ou incorrects.** Les rondelles et boulons ont été conçus spécialement pour votre scie, pour garantir une performance optimale et la sécurité de fonctionnement.

#### Consignes de sécurité complémentaires pour toutes les scies

##### Causes de rebond et avertissements afférents

- Le rebond est une réaction soudaine à un pincement, un coincement ou un mauvais alignement de la lame de scie entraînant le soulèvement incontrôlé de la scie de la pièce à travailler vers l'opérateur ;
- Lorsque la lame est bien pincée ou coincée par l'entaille fermée, la lame se bloque et la réaction du moteur repousse l'unité rapidement vers l'opérateur ;
- Si la lame se tord ou se désaligne dans la coupe, les dents à l'arrière de la lame peuvent s'enfoncer dans la surface supérieure du bois en poussant la lame hors de l'entaille et la faisant bondir vers l'opérateur.

Le rebond est le résultat de mauvaise utilisation de la scie et / ou des procédures ou conditions opérationnelles incorrectes et peut être évité grâce aux mesures de précaution appropriées indiquées ci-dessous.

- a) **Tenez la scie fermement avec les deux mains et placez vos bras de manière à résister aux forces de rebond. Placez votre corps des deux côtés de la lame mais pas en ligne avec elle.** Le rebond peut faire bondir la scie en arrière, mais les forces de rebond peuvent être contrôlées par l'opérateur si les précautions adéquates sont prises.
- b) **Si la lame est coincée ou en cas d'interruption de la coupe pour quelle que**

**raison que ce soit, relâchez la gâchette et gardez la scie immobile dans le matériau jusqu'à l'arrêt complet de la lame. N'essayez jamais de retirer la scie de la pièce ni de pousser la scie vers l'arrière tant que la lame est en mouvement au risque de rebond.** Examinez la scie et prenez des mesures correctives pour éliminer la cause du coincement de la lame.

- c) **En remplaçant une scie dans la pièce à travailler, centrez la lame de scie dans l'entaille de manière à ne pas engager les dents de scie dans le matériau.** Si une lame de scie se coince, elle peut faire des va-et-vient ou rebondir de la pièce à usiner au redémarrage de la scie.
- d) **Soutenez les panneaux de grandes dimensions pour réduire le risque de pincement et de rebond de la lame.** Les panneaux de grandes dimensions ont tendance à se déformer sous leur propre poids. Les soutiens doivent être placés sous le panneau des deux côtés, près de la ligne de coupe proche du bord du panneau.
- e) **N'utilisez pas de lames émoussées ou endommagées.** Les lames non aiguisées ou placées incorrectement produisent une entaille étroite pouvant provoquer une friction excessive, le coincement de la lame et le rebond.
- f) **Les leviers de blocage de profondeur de la lame et d'ajustement du biseau doivent être serrés et sécurisés avant de procéder à la coupe.** Si l'ajustement de la lame décale pendant la coupe, cela peut provoquer le coincement et le rebond.
- g) **Redoublez de prudence en sciant les murs existants ou autres zones aveugles.** La lame saillante peut couper des objets susceptibles de provoquer un rebond.

#### Consignes de sécurité pour les scies avec protection en pendule et les scies avec protection tirée

##### Fonctionnement de la protection basse

- a) **Contrôlez la fermeture correcte de la protection basse avant chaque utilisation. N'utilisez pas la scie si la protection basse ne bouge pas librement ni ne se ferme immédiatement. Ne fixez ni ne serrez jamais la protection basse dans la position ouverte.** Si la scie tombe accidentellement, la protection basse peut se courber. Soulevez la protection basse à l'aide de la poignée extensible et assurez-vous qu'elle

bouge librement et ne touche pas la lame ou toute autre partie, à tous les angles et profondeurs de la coupe.

- b) **Vérifiez le fonctionnement du ressort de la protection basse. Si la protection et le ressort ne fonctionnent pas correctement, ils doivent être réparés avant l'utilisation.** La protection basse peut fonctionner lentement à cause des pièces endommagées, dépôts collants ou accumulation de débris.
- c) **La protection basse peut être rétractée manuellement uniquement pour des coupes particulières, telles que «coupes plongeantes» ou «coupes composées». Soulevez la protection basse par la poignée extensible et, dès que la lame pénètre dans le matériau, relâchez la protection basse.** Pour toutes les autres coupes, la protection basse doit fonctionner automatiquement.
- d) **Veillez toujours à ce que la protection basse recouvre la lame avant de poser la scie sur l'établi ou par terre.** Une lame encore tournante non protégée peut faire reculer la scie coupant tout sur son passage. Tenez compte du temps que la lame prend pour s'arrêter après le relâchement de l'interrupteur.

## CONSERVER CES INSTRUCTIONS

## 2. Description de l'appareil et contenu de l'emballage

### 2.1 Description de l'appareil

1. Poignée
2. Interrupteur de marche / arrêt
3. Touche de verrouillage de l'interrupteur Marche / Arrêt
4. Levier de fixation pour le réglage de la profondeur de coupe
5. Lumière DEL
6. Semelle de scie
7. Vis de fixation pour le réglage de l'angle
8. Vis de fixation pour la butée parallèle
9. Échelle pour l'angle d'onglet
10. Poignée supplémentaire
11. Blocage de l'arbre
12. Lame de scie
13. Clé de lame de scie
14. Raccord d'aspiration des copeaux
15. Guidage de ligne de coupe

16. Butée parallèle
17. Vis de fixation de la lame
18. Bride
19. Rondelle intérieure
20. Capot de protection pivotant
21. Levier du capot de protection pivotant
22. Échelle de la profondeur de coupe
23. Guidage
24. Témoin de charge de la batterie
25. Bouton de témoin de charge de la batterie

### 2.2 Contenu d'emballage

Veillez contrôler l'intégralité de l'article au moyen du contenu d'emballage décrit. En cas de pièces manquantes, veuillez contacter notre centre de service à la clientèle ou le point de vente où vous avez acheté l'appareil au plus tard dans les 5 jours ouvrables à compter de l'achat de l'article en présentant un ticket de caisse valable.

- Ouvrez l'emballage et retirez prudemment l'appareil.
- Enlevez le matériau d'emballage ainsi que les sécurités d'emballage et de transport (le cas échéant).
- Vérifiez l'intégralité du contenu d'emballage.
- Vérifiez si l'appareil et les accessoires présentent des dommages dus au transport.
- Si possible, conservez l'emballage jusqu'à l'expiration de la durée de garantie.

### Danger !

**L'appareil et le matériau d'emballage ne sont pas un jouet ! Les enfants ne doivent pas jouer avec des sachets en plastique, des films ou de petites pièces ! Il existe le risque d'ingestion et de suffocation !**

- Scie circulaire sans fil
- Lame de scie
- Clé de lame de scie
- Butée parallèle
- Mode d'emploi d'origine avec consignes de sécurité

### Accessoires disponibles séparément

18V 1,5Ah PXC batterie Lithium-Ion  
 18V 2,0Ah PXC batterie Lithium-Ion  
 18V 2,5Ah PXC batterie Lithium-Ion  
 18V 3,0Ah PXC batterie Lithium-Ion  
 18V 4,0Ah PXC batterie Lithium-Ion  
 18V 3,0Ah PXC Plus batterie Lithium-Ion  
 18V 4,0Ah PXC Plus batterie Lithium-Ion  
 18V 5,2Ah PXC Plus batterie Lithium-Ion  
 18V 4,0Ah/6,0Ah PXC Plus batterie Lithium-Ion  
 18V 5,0Ah/8,0Ah PXC Plus batterie Lithium-Ion



18V PXC chargeur rapide à double raccord  
18V PXC chargeur rapide

Contactez votre détaillant pour les modèles plus spécifiques de batteries et de chargeurs disponibles dans votre région. Vous pouvez également explorer les options de batterie + chargeur sur [Einhell.com](http://Einhell.com).


### 3. Utilisation conforme

La scie circulaire sans fil convient pour effectuer des coupes en ligne droite dans du bois, des matériaux analogues au bois et des matières plastiques. À cet égard, évitez la surchauffe des pointes des dents de scie et la fonte du plastique.

La machine ne doit être utilisée que conformément à sa destination. Toute autre utilisation dépassant ce cadre n'est pas conforme. C'est l'utilisateur / l'opérateur qui est responsable de tous les dommages ou blessures de toute nature en résultant et non pas le fabricant.

Veillez noter que nos appareils n'ont pas été conçus pour une utilisation commerciale, artisanale ou industrielle. Nous n'accordons aucune garantie si l'appareil est utilisé dans des entreprises commerciales, artisanales ou industrielles ou pour des activités équivalentes.

### 4. Caractéristiques techniques

Alimentation électrique du moteur: ..... 18 V   
Vitesse du ralenti : ..... 3800 TR/MIN (min<sup>-1</sup>)  
Profondeur de coupe à 90° : ..... 62 mm (2-1/2")  
Profondeur de coupe à 45° : ..... 43 mm (1-3/4")  
Lame de scie : ..... Ø 184 mm (7-1/4")  
Logement de la lame de scie : ..... Ø 16 mm (5/8")  
Épaisseur de la lame de scie : ..... 1,6 mm (1/16")  
Poids (outil seulement):.....3,24 kg (7,14 lb)

#### Portez une protection auditive.

Le bruit peut provoquer une perte d'acuité auditive.

#### Limitez à un minimum l'émission de bruit et les vibrations !

- Utilisez uniquement des appareils irréprochables.
- Entretenez et nettoyez l'appareil régulièrement.
- Adaptez votre méthode de travail à l'appareil.
- Ne surchargez pas l'appareil.
- Faites examiner l'appareil le cas échéant.
- Éteignez l'appareil lorsqu'il n'est plus utilisé.

#### Attention !

##### Risques résiduels

**Il existe toujours des risques même si vous vous servez correctement de cet outil électrique. Les risques suivants peuvent se produire en rapport avec la structure et la réalisation de cet outil électrique :**

1. Lésions pulmonaires, si vous ne portez pas de masque anti-poussières approprié.
2. Lésions auditives, si vous ne portez pas de protection auditive appropriée.
3. Dommages pour la santé résultant des vibrations mains-bras, si votre appareil est utilisé d'une manière prolongée ou tenu et entretenu de manière incorrecte.

### 5. Avant la mise en service

#### Avertissement !

Retirez toujours la batterie avant de régler l'appareil.

#### 5.1 Régler la profondeur de coupe (fig. 2/3)

- Desserrez le levier de fixation pour le réglage de la profondeur de coupe (4) se trouvant à l'arrière du capot de protection.
- Posez la semelle de scie (6) à plat sur la surface de la pièce à travailler. Soulevez la scie jusqu'à ce que la scie (12) se trouve à la profondeur de coupe (22) nécessaire.
- Resserrez le levier de fixation pour le réglage de la profondeur de coupe (4). Vérifiez la bonne fixation.

#### 5.2 Butée à onglet (fig. 4/5)

- L'angle standard pré-réglé entre la semelle de scie (6) et la lame (12) est de 90°. Vous pouvez modifier cet angle pour effectuer des coupes obliques.
- Desserrez le levier de fixation pour le réglage de l'angle (7) se trouvant à l'avant de la semelle de scie.

- Maintenant, vous pouvez modifier l'angle de coupe de jusqu'à 45° ; tenez compte de l'échelle d'angles de coupe (9).
- Resserrez la vis de fixation pour le réglage de l'angle de coupe (7). Vérifiez la bonne fixation.

### 5.3 Aspiration des poussières et des copeaux (fig. 6)

- Raccordez un aspirateur adapté au raccord d'aspiration des copeaux (14) prévu à cet effet de votre scie circulaire (aspirateur non fourni). Cela vous permet d'obtenir une aspiration optimale des poussières de la pièce à travailler. Les avantages : Vous ménagez aussi bien l'appareil que votre propre santé. En outre, votre lieu de travail reste plus propre et plus sûr.
- Les poussières générées pendant le travail peuvent être dangereuses. Veuillez respecter les consignes de sécurité.
- Attention ! L'aspirateur utilisé doit être adapté au matériau à traiter.
- Vérifiez si toutes les pièces sont bien reliées les unes aux autres.

### 5.4 Butée parallèle (fig. 7/8)

- La butée parallèle (16) vous permet de scier des lignes parallèles.
- Desserrez la vis de fixation pour la butée parallèle (8) se trouvant sur la semelle de scie (6).
- Le montage est effectué par l'introduction de la butée parallèle (16) dans le guidage (23) de la semelle (6) (voir fig. 7).
- Fixez la distance nécessaire et resserrez la vis de fixation (8).
- Utilisation de la butée parallèle : Positionnez la butée parallèle (16) à plat sur la pièce à usiner et commencez à scier.

**Attention ! Effectuez la coupe d'essai sur un morceau de bois de rebut.**

### 5.5 Guidage de ligne de coupe (fig. 9)

Grâce au guidage de ligne de coupe (15), vous pouvez effectuer des coupes exactes selon les lignes de coupe marquées sur la pièce à usiner. Utilisez le marquage pour le réglage d'angle de 0° ou de 90°.

Le marquage doit être utilisé pour le réglage d'angle de 45°.

Pour le réglage d'angle, voir 5.2

**Attention ! Effectuez la coupe d'essai sur un morceau de bois de rebut.**

## 6. Fonctionnement

### Avertissement !

Retirez toujours la batterie avant de régler l'appareil.

### 6.1 Travailler avec la scie circulaire sans fil

- Tenez toujours fermement l'appareil par les poignées prévues à cet effet (1 et 10) pour assurer un maniement sûr pendant l'utilisation.
- Le capot de protection pivotant (20) est repoussé automatiquement par la pièce à usiner.
- N'appliquez pas de force ! Avancez la scie circulaire légèrement et uniformément.
- La chute devrait se trouver à droite de la scie circulaire afin que la partie large de la table d'appui repose sur toute sa surface.
- Si vous sciez en suivant une ligne marquée, passez la scie circulaire le long de l'encoche correspondante.
- Serrez fermement les petites pièces en bois avant d'effectuer la coupe. Ne jamais tenir avec la main.
- Respectez impérativement les règles de sécurité ! Portez des lunettes de protection !
- N'utilisez pas de lames défectueuses ni celles avec des fissures et fêlures.
- N'utilisez pas de brides / écrous de bride dont l'alésage est supérieur ou inférieur à celui de la lame.
- La lame de scie ne doit pas être freinée à la main ou par la pression latérale.
- Vérifiez le fonctionnement du capot de protection pivotant. La protection pivotante ne doit pas se coincer et doit se retrouver en position initiale après l'opération terminée.
- Vérifiez le fonctionnement de la protection pivotante avant l'utilisation de la scie circulaire avec la batterie retirée.
- Assurez-vous avant chaque utilisation de l'appareil que les dispositifs de sécurité, comme la protection pivotante, les brides et les dispositifs de réglage, fonctionnent ou sont correctement réglés et fixés.
- Vous pouvez raccorder un dispositif d'aspiration approprié au raccord d'aspiration des copeaux (14). Assurez-vous que l'aspiration des poussières est raccordée de façon sûre et correcte.
- Le capot de protection mobile ne doit pas être coincé dans le capot de protection retiré.

### 6.2 Utilisation de la scie circulaire sans fil

- Ajustez la profondeur de coupe, l'angle de coupe et la butée parallèle (voir les points 5.1, 5.2 et 5.4).
- Mettez la scie circulaire en marche uniquement avec la lame installée!
- Posez la semelle de scie à plat sur la pièce à travailler. La lame de scie ne doit pas toucher la pièce à travailler.
- Tenez maintenant la scie circulaire avec les deux mains.

### 6.3 Mise en marche / à l'arrêt (fig. 11)

#### Mise en marche :

Appuyez en même temps sur la touche de verrouillage (3) et l'interrupteur Marche / Arrêt (2).

- Faites tourner la lame de scie jusqu'à ce qu'elle atteigne la pleine vitesse. Guidez ensuite la lame de scie lentement le long de la ligne de coupe. Ce faisant, n'exercez qu'une légère pression sur la lame de scie.

#### Mise à l'arrêt :

Relâchez la touche de verrouillage et l'interrupteur Marche / Arrêt.

- Lorsque la poignée est relâchée, l'appareil s'éteint automatiquement afin d'empêcher la marche accidentelle.
- Veillez à ce que les ouvertures d'aération ne soient pas recouvertes ni encombrées pendant le travail.
- Ne freinez pas la lame de scie par une pression latérale après l'avoir éteinte.
- Attention ! Ne déposez l'appareil qu'après l'arrêt total de la lame de scie.

**Attention ! Effectuez la coupe d'essai sur un morceau de bois de rebut.**

### 6.4 Changer la lame de scie (fig. 12-16)

#### Avertissement !

Retirez toujours la batterie avant de régler l'appareil.

Utilisez exclusivement des lames de scie du même type que la lame fournie avec cette scie circulaire. Renseignez-vous auprès d'un revendeur spécialisé.

#### Avertissement !

N'utilisez pas de disques d'affûtage !

Les diamètres des lames de scie utilisées doivent correspondre aux diamètres indiqués sur la scie circulaire !

Utilisez uniquement des lames recommandées ! Pour changer la lame, vous avez besoin de la clé

de lame de scie fourni (13). La clé de lame de scie (13) est conservée dans le boîtier. En cas de besoin, retirez la clé de lame de scie (13) du boîtier (voir fig. 13).

**Attention !** Pour des raisons de sécurité, la scie circulaire sans fil ne doit pas être utilisée avec la clé de lame de scie (13) insérée.

- Appuyez sur le blocage de l'arbre (11).
- Desserrez la vis de fixation de la lame (17) à l'aide de la clé de lame de scie (13).
- Repoussez et retenez le capot de protection pivotant (20) à l'aide du levier du capot de protection pivotant (21).
- Retirez par le bas la bride (18) et la lame de scie (12).
- Nettoyez la bride, insérez la nouvelle lame de scie. Veillez au sens de la marche (voir la flèche sur le capot de protection et sur la lame) !
- Serrez la vis de fixation de la lame (17), faire attention à la rotation.
- Avant d'actionner l'interrupteur de Marche / Arrêt, assurez-vous que la lame de scie est montée correctement, les pièces mobiles tournent aisément et les vis de serrage sont bien serrées.

### 6.5 Lumière DEL (fig. 1 / pos. 5)

La lumière DEL (5) fournit un éclairage supplémentaire du point de coupe. La lumière DEL s'allume automatiquement dès que vous appuyez sur la touche de blocage de l'interrupteur de Marche / Arrêt (3).

### 6.6 Chargement de la batterie au Lithium-Ion (non inclus)

Vous trouverez les instructions correspondantes dans le mode d'emploi d'origine de votre chargeur.

### 6.7 Affichage de la capacité de la batterie (image 10/Pos. 24)

Appuyez sur l'interrupteur de l'affichage de la capacité de la batterie (25). L'affichage de la capacité de la batterie (24) signale l'état de charge de la batterie au moyen de 3 DEL.

#### Les 3 DEL s'allument:

La batterie est complètement chargée.

#### 2 ou 1 DEL s'allument:

La batterie a une charge résiduelle suffisante.

**1 DEL clignote:**

La batterie est déchargée, chargez la batterie.

**Tous les voyants clignent :**

La température de la batterie est trop basse.

Retirez la batterie de l'appareil, laissez-la à température ambiante pendant une journée. Si le défaut se reproduit, cela signifie que la batterie rechargeable a subi une décharge complète et est défectueuse. Retirez la batterie de l'équipement. N'utilisez ou ne chargez jamais une batterie défectueuse.

**7. Nettoyage et entretien****Danger !**

Avant tout travail de nettoyage, retirez la batterie de l'appareil.

**7.1 Nettoyage**

- Maintenez les dispositifs de protection, les fentes d'aération et les carters de moteur aussi exempt de poussières et de saletés que possible. Frottez l'appareil avec un linge propre et nettoyez-le à l'air comprimé à basse pression.
- Nous recommandons de nettoyer l'appareil directement après chaque utilisation.
- Nettoyez l'appareil régulièrement avec un linge humide et un peu de savon doux. N'utilisez pas de détergeant ni de solvants ; ils peuvent détériorer les éléments en plastique de l'appareil. Veillez à ce que l'eau ne puisse pas pénétrer à l'intérieur de l'appareil. La pénétration de l'eau dans un appareil électrique augmente le risque d'une électrocution.

**7.2 Entretien**

L'intérieur de l'appareil ne contient pas de pièces exigeant un entretien.

**8. Élimination et recyclage**

L'appareil se trouve dans un emballage pour empêcher les dommages dus au transport. Cet emballage constitue une matière première et peut par conséquent être réutilisé ou peut être recyclé. L'appareil et ses accessoires sont fabriqués à partir de différents produits, comme par exemple le métal et les matières plastiques. Ne jetez pas les appareils défectueux dans les déchets ménagers. Pour être éliminé de façon appropriée,

l'appareil devrait être déposé à un lieu de collecte approprié. Si vous ne connaissez aucun lieu de collecte, informez-vous auprès de l'administration municipale.

**9. Entreposage**

Entreposez l'appareil et ses accessoires dans un endroit sombre, sec et exempt de gel ainsi que hors la portée des enfants. La température d'entreposage optimale se situe entre 41 °F et 86 °F (5 °C et 30 °C). Entreposez l'outil électrique dans l'emballage d'origine.

Une réimpression ou toute autre reproduction de la documentation et des documents accompagnant les produits, même par extraits, ne sont autorisées qu'avec accord exprès d'Einhell Germany AG.

Sous réserve des modifications techniques.



**Peligro!** - Leer el manual de instrucciones para reducir cualquier riesgo de sufrir daños



**Cuidado!** Usar protección para los oídos. La exposición al ruido puede ser perjudicial para el oído.



**Cuidado!** Es preciso ponerse una mascarilla de protección. Puede generarse polvo dañino para la salud cuando se realicen trabajos en madera o en otros materiales. ¡Está prohibido trabajar con material que contenga asbesto!



**Cuidado!** Llevar gafas de protección. Durante el trabajo, la expulsión de chispas, astillas, virutas y polvo por el aparato pueden provocar pérdida de vista.



Almacenamiento de las baterías sólo en espacios secos con una temperatura ambiente de 50°F to 104°F (+10°C to +40°C). Guardar las baterías únicamente cuando estén cargadas (mín. al 40%).



**¡Retirar el enchufe o la batería!**



**¡Cuidado! ¡No mirar directamente a la luz!**

**Peligro!**

Al usar aparatos es preciso tener en cuenta una serie de medidas de seguridad para evitar lesiones o daños. Por este motivo, es preciso leer atentamente este manual de instrucciones/advertencias de seguridad. Guardar esta información cuidadosamente para poder consultarla en cualquier momento. En caso de entregar el aparato a terceras personas, será preciso entregarles, asimismo, el manual de instrucciones/advertencias de seguridad. No nos hacemos responsables de accidentes o daños provocados por no tener en cuenta este manual y las instrucciones de seguridad.

**1. Instrucciones de seguridad****Peligro!**

**Lea todas las instrucciones de seguridad e indicaciones.** El incumplimiento de dichas instrucciones e indicaciones puede provocar descargas, incendios y/o daños graves. **Guarde todas las instrucciones de seguridad e indicaciones para posibles consultas posteriores.**

**Instrucciones generales de seguridad para herramientas eléctricas**

El término de "herramienta eléctrica" que se usa en las instrucciones de seguridad se refiere a las herramientas que funcionan en red (con cable de conexión) y con batería (sin cable de conexión).

**1. Seguridad en el lugar de trabajo**

- a) **Mantener limpia y bien iluminada la zona de trabajo.** *Las zonas de trabajo desordenadas o sin luz pueden conllevar accidentes.*
- b) **No trabajar con este aparato eléctrico en un entorno explosivo en el que se hallen líquidos, gases o polvos inflamables.** *Las herramientas eléctricas generan chispas que pueden inflamar el polvo o los vapores.*
- c) **Mantener alejados a niños y a otras personas fuera del alcance de la herramienta eléctrica.** *Las distracciones pueden hacer perder el control sobre el aparato.*

**2. Seguridad eléctrica**

- a) **El enchufe del aparato eléctrico debe ser el adecuado para la toma de corriente. El enchufe no debe ser modificado de ningún modo. No emplear adaptadores de enchufe con aparatos eléctricos puestos a tierra.** *Los enchufes sin modificar y las*

*tomas de corriente adecuadas reducen el riesgo de una descarga eléctrica.*

- b) **Evitar el contacto corporal con superficies con toma de tierra como tubos, calefacciones, fogones y frigoríficos.** *Existe un gran riesgo de descarga eléctrica si su cuerpo se halla puesto a tierra.*
- c) **Mantener los aparatos eléctricos alejados de la lluvia o la humedad.** *Si entra agua en el aparato eléctrico existirá mayor riesgo de una descarga eléctrica.*
- d) **No utilizar el cable de forma inadecuada, no utilizarlo para transportar el aparato, colgarlo o retirarlo de la toma de corriente. Mantener el cable alejado del calor, aceites, cantos afilados o partes del aparato en movimiento.** *Los cables dañados o mal enrollados aumentan el riesgo de descarga eléctrica.*
- e) **Si se trabaja con una herramienta eléctrica al aire libre, emplear sólo alargaderas que también sean adecuadas para el exterior.** *El empleo de una alargadera apropiada para trabajos en el exterior reduce el riesgo de descarga eléctrica.*
- f) **Si no se puede evitar tener que utilizar la herramienta eléctrica en un entorno húmedo, utilizar un dispositivo de protección diferencial.** *El uso de un dispositivo de protección diferencial reduce el riesgo de sufrir una descarga eléctrica.*

**3. Seguridad de personas**

- a) **Prestar atención al trabajo, comprobar lo que se está haciendo y proceder de forma razonable durante el trabajo de una herramienta eléctrica. No emplear la herramienta eléctrica si se está cansado o bajo la influencia de drogas, alcohol o medicamentos.** *Una mínima falta de atención durante el uso de la herramienta eléctrica puede causar lesiones graves.*
- b) **Llevar equipo de protección personal. Llevar siempre gafas protectoras.** *El equipo de protección (como mascarilla antipolvo, calzado de seguridad antideslizante, casco o protección auditiva) usado en las condiciones adecuadas sirve para reducir las lesiones personales.*
- c) **Prevenir un arranque no intencionado. Asegurarse de que el interruptor se encuentre en la posición OFF antes de conectar la herramienta a la fuente eléctrica y/o BATERÍA, alzarla o transportarla.** *El transporte de herramientas eléctricas con el*

*dedo en el interruptor o la activación de herramientas eléctricas con el interruptor en ON puede provocar accidentes.*

- d) **Retirar las herramientas de ajuste o la llave antes de conectar la herramienta eléctrica.** *Una herramienta o llave que se haya olvidado en partes giratorias del aparato puede producir lesiones.*
  - e) **Evitar trabajar en una posición corporal inadecuada. Adoptar una posición segura y mantener en todo momento el equilibrio.** *Ello permite controlar mejor la herramienta eléctrica en situaciones inesperadas.*
  - f) **Llevar ropa de trabajo adecuada. No llevar ropa holgada ni joyas durante el trabajo. Mantener el cabello, la ropa y los guantes alejados de las piezas en movimiento.** *La ropa holgada, las joyas o los cabellos largos pueden ser atrapados por las piezas en movimiento.*
  - g) **Si el aparato permite instalar dispositivos de aspiración y recogida del polvo, es preciso asegurarse de que estén conectados y se empleen de forma correcta.** *La utilización de un aspirador de polvo puede reducir los peligros provocados por el mismo.*
  - h) **A pesar de estar muy familiarizado con el uso de las herramientas, no confiarse en exceso ni ignorar las normas de seguridad de la herramienta.** *Un descuido puede conllevar una lesión grave en milésimas de segundo.*
- 4. Empleo y tratamiento de la herramienta eléctrica**
- a) **No sobrecargar el aparato. Usar la herramienta eléctrica específica para cada trabajo.** *Con la herramienta eléctrica adecuada se trabaja mejor y con más seguridad permaneciendo dentro de la potencia indicada.*
  - b) **No usar ninguna herramienta eléctrica cuyo interruptor esté defectuoso.** *Una herramienta eléctrica que ya no pueda conectarse o desconectarse conlleva peligros y debe repararse.*
  - c) **Desconectar el enchufe de la toma de corriente y/o retirar la batería, si es desmontable, de la herramienta eléctrica antes de realizar cualquier ajuste, cambiar accesorios o almacenarla.** *Este tipo de medidas de seguridad preventivas sirve para reducir el riesgo de poner en marcha la herramienta eléctrica de manera involuntaria.*
  - d) **Guardar las herramientas eléctricas que no se usen fuera del alcance de los niños.**

**No permitir el uso del aparato a personas que no estén familiarizadas con él o no hayan leído estas instrucciones.** *Las herramientas eléctricas son peligrosas si las usan personas sin experiencia.*

- e) **Realizar el mantenimiento de las herramientas eléctricas y los accesorios. Comprobar que las piezas móviles no estén desajustadas ni atascadas, que las piezas no presenten rotura ni otras condiciones que puedan afectar al funcionamiento de la herramienta eléctrica.** *En caso de que la herramienta eléctrica esté dañada, es preciso que sea reparada antes de utilizarla de nuevo. Muchos accidentes se provocan a causa de un mantenimiento deficiente de la herramienta eléctrica.*
  - f) **Mantener limpias y afiladas las herramientas de corte.** *Las herramientas de corte bien cuidadas con cantos afilados se bloquean con menor frecuencia y pueden manejarse de forma más sencilla.*
  - g) **Respetar estas instrucciones cuando se desee utilizar la herramienta eléctrica, los accesorios, piezas de recambio, etc. Para ello, tener en cuenta las condiciones de trabajo y la tarea a ejecutar.** *El uso de herramientas eléctricas para otros fines diferentes a los previstos puede originar situaciones peligrosas.*
  - h) **Mantener asas y empuñaduras secas, limpias y libres de aceite y grasa.** *Las asas y empuñaduras resbaladizas impiden manejar con seguridad y controlar la herramienta en situaciones inesperadas.*
- 5. Empleo y tratamiento de la herramienta eléctrica**
- a) **Cargar la batería sólo en cargadores recomendados por el fabricante.** *Existe el peligro de incendio si se utiliza un cargador, indicado sólo para un tipo concreto de baterías, para otro tipo de baterías.*
  - b) **Utilizar sólo las baterías indicadas para la herramienta eléctrica en cuestión.** *El uso de otras baterías puede provocar daños y conllevar peligro de incendio.*
  - c) **Mantener cualquier batería que no se esté utilizando alejada de grapas, monedas, llaves, clavos, tornillos u otros objetos metálicos pequeños que podrían provocar un puenteo de los contactos.** *Un cortocircuito entre los contactos de la batería puede tener como consecuencia quemaduras o provocar fuego.*

- d) **Si se utiliza incorrectamente podría salir líquido de la batería. Evitar el contacto con el líquido. En caso de tocar accidentalmente el líquido, lavar la zona afectada con agua. Si el líquido penetra en los ojos, acudir a un médico. El líquido de la batería puede provocar irritaciones en la piel o quemaduras.**
- e) **No utilizar BATERÍAS ni herramientas que estén dañadas o modificadas. Las baterías dañadas o modificadas pueden manifestar comportamientos impredecibles que pueden dar lugar a incendio, EXPLOSIÓN o riesgo de lesión.**
- f) **No exponer una BATERÍA ni herramienta al fuego o a una temperatura excesiva. La exposición al fuego o a una temperatura superior a los 266°F (130°C) puede provocar una explosión.**
- g) **Seguir todas las instrucciones de carga y no cargar la BATERÍA ni herramienta fuera del margen de temperatura especificado en las instrucciones. Una carga inadecuada o a temperaturas fuera del margen especificado puede dañar la batería e incrementar el riesgo de incendio.**
- 6. Servicio**
- a) **Sólo especialistas cualificados deben reparar la herramienta eléctrica, empleando para ello únicamente piezas de repuesto originales. Esta forma de proceder garantiza la seguridad de la herramienta eléctrica.**
- b) **No reparar nunca BATERÍAS dañadas. La reparación de las BATERÍAS dañadas solo la puede llevar a cabo el fabricante o un distribuidor autorizado.**

#### Instrucciones de seguridad especiales

Con el fin de ofrecerte baterías con la máxima densidad de energía, larga duración y seguridad, prestamos el mayor cuidado en su montaje. Las celdas de la batería disponen de dispositivos de seguridad de varios niveles. En primer lugar se asigna el formato a cada celda y se registran sus características eléctricas. A continuación, estos datos se utilizan para agrupar las celdas y crear la mejores baterías. **A pesar de todas las medidas de seguridad, siempre es necesario tener precaución al utilizar baterías. Para un funcionamiento seguro es obligatorio tener en cuenta los siguientes puntos.**  
**¡El funcionamiento seguro sólo está garantizado si las celdas no están dañadas! Un manejo inadecuado puede dañar las celdas.**

**¡Atención!** Los análisis confirman que un uso y un cuidado inadecuados son la principal causa de los daños provocados por baterías de alta potencia.

#### Advertencias sobre la batería

1. La batería del aparato no se suministra cargada. Antes de la primera puesta en marcha, es preciso recargarla por completo.
2. ¡Para que la batería trabaje de forma óptima evitar ciclos de descarga prolongados! Recargar la batería con frecuencia.
3. Guardar la batería en un lugar fresco, lo ideal son 59°F (15°C), y como mínimo cargada al 40%.
4. Las baterías de iones de litio están sujetas a un desgaste natural. ¡La batería debe ser sustituida como muy tarde cuando su rendimiento sea menor al 80% respecto a su estado cuando era nueva! Las celdas deterioradas de un conjunto de baterías envejecido no cumplen con los altos requisitos de rendimiento, representando un riesgo para la seguridad.
5. No tirar las baterías usadas al fuego. ¡Peligro de explosión!
6. No prender la batería ni exponerla al fuego.
7. **¡Evitar una descarga total de las baterías!** Este tipo de descarga daña las celdas de la batería. La causa más frecuente de la descarga total de la batería es el largo almacenamiento o la no utilización de baterías parcialmente descargadas. Terminar el trabajo en cuanto se aprecie que la potencia disminuye o se activa el sistema electrónico de protección. Almacenar la batería sólo tras haberla cargado completamente.
8. **¡Proteger las baterías y el aparato contra sobrecarga!** La sobrecarga conduce rápidamente a un sobrecalentamiento y daño de las celdas del interior de la carcasa de batería, sin que el sobrecalentamiento se perciba externamente.
9. **¡Evitar daños y golpes!** Sustituir inmediatamente las baterías que hayan caído desde una altura superior a un metro o que hayan sufrido golpes fuertes, incluso aunque la carcasa de la batería no parezca dañada. Las celdas que se encuentren en su interior podrían estar gravemente dañadas. Tener en cuenta también las indicaciones de eliminación.
10. En caso de sobrecarga y sobrecalentamiento, el circuito de protección integrado desconecta el aparato por motivos de seguridad.



**¡Atención!** Dejar de pulsar el interruptor On/Off cuando el circuito de protección haya desconectado el aparato. Podría dañar la batería.

11. Utilizar exclusivamente baterías originales. El uso de otras baterías puede provocar daños, así como explosión y peligro de incendio.
12. **Proteger la batería de la humedad, la lluvia y la humedad ambiental elevada.** La humedad, la lluvia y la humedad ambiental elevada pueden provocar daños peligrosos en las celdas. No cargar ni trabajar nunca con baterías que hayan estado expuestas a la humedad, la lluvia o humedad ambiental elevada, ¡reemplazarlas de inmediato!
13. Si el aparato está dotado de una batería extraíble, por motivos de seguridad será preciso extraerla una vez finalizado el trabajo.

#### Advertencias sobre el cargador y el proceso de carga

1. Observar los datos indicados en la placa de identificación del cargador. Conectar el cargador sólo a la tensión nominal indicada en la placa de características.
2. Proteger el cargador y el cable de daños y cantos afilados. Los cables dañados deben ser cambiados exclusivamente por un electricista profesional.
3. Mantener el cargador, las baterías y el aparato fuera del alcance de niños.
4. No emplear cargadores dañados.
5. No emplear el cargador suministrado para cargar otros aparatos a batería.
6. La batería se calienta bajo condiciones extremas de aplicación. Dejar que la batería se enfríe hasta alcanzar la temperatura ambiental antes de empezar a cargar.
7. **¡No cargar demasiado las baterías!** Respetar los tiempos de carga máximos. Estos tiempos de carga se aplican únicamente a baterías descargadas. Si una batería cargada o parcialmente cargada se conecta varias veces al cargador se produce una sobrecarga y un daño de las celdas. No deje las baterías en el cargador por más de 48 horas.
8. **No utilizar ni cargar nunca baterías si se tiene la sospecha de que la última carga de la batería puede haberse realizado hace más de 12 meses.** Existe una alta probabilidad de que la batería ya esté gravemente dañada (descarga total).
9. Cargar la batería a una temperatura de menos de 50°F (10°C) provoca daños químicos en las celdas y puede conllevar peligro de

incendio.

10. No utilizar baterías que se hayan calentado durante la carga, ya que sus celdas podrían dañarse peligrosamente.
11. Dejar de usar baterías que se hayan deformado o abombado durante la carga, o aquellas que presenten síntomas inusuales (desprendimiento de gases, zumbidos, chasquidos,...)
12. No descargar la batería por completo (nivel de descarga recomendado: máx. 80%). La descarga total provoca un envejecimiento prematuro de las celdas de la batería.
13. ¡No cargar nunca las baterías sin supervisión!

#### Protección contra influencias ambientales

1. Ponerse ropa de trabajo adecuada. Ponerse gafas de protección.
2. **Proteger el aparato y el cargador de la humedad y la lluvia.** Éstas podrían provocar daños peligrosos en las celdas.
3. No utilizar el aparato y el cargador cerca de vapores y líquidos inflamables.
4. Utilizar el cargador y el aparato a batería sólo si están secos y a una temperatura ambiente de 50°F-104°F (10-40 °C).
5. No guardar la batería en lugares que puedan alcanzar una temperatura superior a 40 °C, especialmente no en un vehículo aparcado al sol.
6. **¡Proteger las baterías contra un sobrecalentamiento!** La sobrecarga, carga excesiva o la radiación solar conducen a un sobrecalentamiento y al daño de las celdas. No cargar ni trabajar en ningún caso con baterías que se hayan sobrecalentado. Sustituirlas inmediatamente.
7. **Almacenamiento de baterías, cargadores y del aparato.** Guardar siempre el cargador y el aparato en habitaciones secas con una temperatura ambiente de 50°F-104°F (10-40°C). Guardar la batería de iones de litio en un lugar fresco y seco a 50°F-68°F (10-20°C). ¡Proteger de la humedad ambiental y de la radiación solar! Guardar las baterías únicamente cuando estén cargadas (mín. al 40%).
8. Evitar que la batería de iones de litio se hielan. Deshacerse de las baterías que hayan estado guardadas a 32°F (0°C) durante más de 60 minutos.
9. Llevar cuidado con la carga electrostática al manipular baterías: las descargas electrostáticas provocan daños en el sistema electrónico de protección y las celdas de la batería. ¡Evitar por ello la carga electrostática y no tocar nunca los polos de la batería!

## Precaución y eliminación de la batería

### Eliminación

Si su artefacto necesita ser reemplazado luego de un uso prolongado, no lo arroje a la basura doméstica. Hágalo de una forma ecológica y segura.



Los desechos producidos por máquinas eléctricas no deben ser manipulados como basura doméstica común. Recíclelos donde hayan emplazamientos de reciclaje.

Consulte con las autoridades o tienda minorista de su localidad para obtener información sobre reciclaje.

Deshágase de su batería de acuerdo con los reglamentos federales, estatales y locales. Para encontrar lugares de reciclaje, comuníquese con un servicio de reciclaje en su localidad.

**⚠ ¡PRECAUCIÓN!** Incluso las baterías descargadas contienen algo de energía. Antes de deshacerse de éstas, use cinta aislante para cubrir los terminales y evitar que la batería haga cortocircuito, lo cual puede causar una explosión o incendio.

**⚠ ¡ADVERTENCIA!** Para reducir el riesgo de lesiones personales o explosión, nunca queme o incinere una batería incluso si está dañada, inservible o completamente descargada. Al ser quemada, los humos y materiales tóxicos son emitidos a la atmósfera circundante.

1. Las baterías varían de acuerdo al dispositivo. Consulte su manual para obtener la información específica.
2. Instale solo nuevas baterías del mismo tipo en su producto (donde corresponda).
3. No insertar las baterías con la polaridad correcta, tal como se indica en el compartimiento de la batería o en el manual, puede reducir el ciclo de vida útil de las baterías o causar fugas en las baterías.
4. No combine baterías nuevas con antiguas.
5. No combine baterías alcalinas, estándar (de zinc-carbono) o recargables (de níquel-cadmio, de níquel-hidruro metálico o de iones de litio).
6. No arroje las baterías al fuego. Pueden llegar a explotar.
7. Las baterías deben ser recicladas o desechadas según los reglamentos locales y estatales.

**Para el envío o la eliminación de baterías o del aparato, estos deben embalarse por separado en bolsas de plástico para evitar cortocircuitos o incendios.**

### Instrucciones de seguridad para todas las sierras

#### Procedimientos de corte

- a) **PELIGRO: Mantener las manos alejadas del área de corte y de la hoja. Mantener la segunda mano en la empuñadura adicional o en la carcasa del motor.** Si se sujeta la sierra con las dos manos, no podrán sufrir cortes provocados por la hoja.
- b) **No poner la mano debajo de la pieza de trabajo.** El protector no puede protegerla de la hoja si está debajo de la pieza.
- c) **Ajustar la profundidad de corte al grosor de la pieza de trabajo.** Menos de un diente completo de los dientes de la hoja debería quedar visible por debajo de la pieza.
- d) **No sujetar nunca la pieza con las manos ni apoyarla en la pierna cuando se está cortando. Asegurar la pieza en una plataforma estable.** Es importante apoyar la pieza de trabajo adecuadamente para minimizar la exposición del cuerpo, el atasco de la hoja y la pérdida de control.
- e) **Sujetar la herramienta eléctrica por las empuñaduras aisladas al realizar trabajos en los que la herramienta de corte pueda entrar en contacto con cables eléctricos ocultos o su propio cable.** El contacto con cables con corriente también hará que las partes metálicas al descubierto de la herramienta eléctrica lleven corriente y le provoquen una descarga eléctrica al usuario.
- f) **A la hora de cortar, utilizar siempre un tope para cortar o una guía de borde recto.** Esto mejora la precisión de corte y reduce el riesgo de que la hoja se atasque.
- g) **Utilizar siempre hojas con agujeros del eje de tamaño y forma correctos (diamante frente a redondo).** Las hojas que no coincidan con las piezas de montaje de la sierra girarán excéntricamente provocando una pérdida de control.
- h) **No utilizar nunca arandelas o pernos de hoja dañados o incorrectos.** Las arandelas y el perno de la hoja se diseñaron especialmente para la sierra con objeto de lograr un rendimiento óptimo y un funcionamiento seguro.

### Más instrucciones de seguridad para todas las sierras

#### Causas del retroceso y advertencias relacionadas

- El retroceso es una reacción repentina al pinzamiento, atasco o desalineación de la hoja de la sierra que hace que una sierra descontrolada se eleve y salga de la pieza de trabajo en dirección al operario.
- Cuando la hoja sufre un pinzamiento o se atasca fuertemente al estrecharse el corte de la sierra, la hoja se detiene y la reacción del motor impulsa la unidad rápidamente hacia atrás en dirección al operario.
- Si la hoja se tuerce o se desalinea en el corte, los dientes del filo trasero de la hoja pueden penetrar en la superficie superior de la madera, haciendo que la hoja se salga de la separación del corte y salte hacia atrás en dirección al operario.

El retroceso es el resultado del uso incorrecto de la herramienta y/o de procedimientos o condiciones de funcionamiento incorrectos y se puede evitar tomando las precauciones adecuadas que se indican a continuación:

- a) **Mantener la sierra firmemente agarrada con las dos manos y colocar los brazos en una posición capaz de resistir las fuerzas de retroceso. Situar el cuerpo en cualquiera de los dos lados de la hoja, pero no en línea con la misma.** El retroceso podría hacer que la sierra salte hacia atrás, pero el operario puede controlar las fuerzas de retroceso si toma las precauciones adecuadas.
- b) **Cuando la hoja se atasque o cuando se interrumpa un corte por cualquier razón, soltar el gatillo y sujetar la sierra parada en el material hasta que la hoja se detenga por completo. No intentar nunca retirar la sierra de la pieza de trabajo ni tirar de la sierra hacia atrás mientras la hoja esté en movimiento o, de lo contrario, se podría producir retroceso.** Investigar y tomar las medidas correctoras necesarias para subsanar la causa del atasco de la hoja.
- c) **Al volver a arrancar una sierra en una pieza de trabajo, centrar la hoja en la separación de corte y comprobar que los dientes de la sierra no estén encajados en el material.** Si la hoja de sierra se atasca, es posible que se desplace hacia arriba al volver a arrancar la sierra.
- d) **Apoyar bien los paneles grandes para minimizar el riesgo de que se produzca pinzamiento de la hoja y retroceso.** Los paneles grandes tienden a combarse por su propio peso. Se deben colocar soportes bajo el panel a ambos lados, cerca de la línea de corte y cerca del borde del panel.
- e) **No utilizar una hoja desafilada o dañada.** Las hojas desafiladas o ajustadas incorrectamente producen una separación de corte estrecha, causando fricción excesiva, atasco de la hoja y retroceso.
- f) **Las palancas de fijación de profundidad de la hoja y de ajuste de la inclinación de la hoja deben estar apretadas y fijadas antes de realizar el corte.** Si el ajuste de la hoja se mueve mientras se está haciendo un corte, puede causar atasco y retroceso.
- g) **Tener especial precaución al serrar en paredes existentes o en otras áreas ciegas.** La hoja que sobresale puede cortar objetos que podrían causar retroceso.

#### Instrucciones de seguridad para sierras con protección pendular y sierras con protección de arrastre

##### Funcionamiento del protector inferior

- a) **Comprobar que el protector inferior se cierra correctamente antes de cada uso. No utilizar la sierra si el protector inferior no se mueve libremente o no se cierra de forma instantánea. No sujetar ni atar el protector inferior en la posición de apertura.** Si la sierra se cae de forma accidental, puede que el protector inferior se deforme. Levantar el protector inferior con la empuñadura retráctil y asegurarse de que se mueve libremente y no toca la hoja ni ninguna otra pieza en todos los ángulos y profundidades de corte.
- b) **Comprobar el funcionamiento del resorte del protector inferior. Si el protector y el resorte no funcionan correctamente, se deberán reparar antes de poder usar la sierra.** El protector inferior puede funcionar lentamente porque haya alguna pieza dañada, restos de goma o una acumulación de escombros.
- c) **El protector inferior sólo se debe retraer manualmente para realizar cortes especiales, como por ejemplo "cortes de inmersión" y "cortes compuestos". Levantar el protector inferior retrayendo el mango y liberar el protector inferior en cuanto la hoja entre en contacto con el**

**material.** Para el resto de cortes, el protector debería funcionar automáticamente.

- d) **Comprobar siempre que el protector inferior cubra la hoja antes de colocar la sierra sobre un banco o sobre el suelo.** Una hoja de corte desprotegida puede hacer que la sierra se desplace hacia atrás y corte todo lo que encuentre a su paso. Tener en cuenta el tiempo que tarda la hoja en detenerse después de soltar el interruptor.

#### GUARDE ESTAS INSTRUCCIONES

## 2. Descripción del aparato y volumen de entrega

### 2.1 Descripción del aparato

1. Empuñadura
2. Interruptor ON/OFF
3. Tecla de bloqueo para interruptor ON/OFF
4. Palanca de fijación para ajustar profundidad de corte
5. Luz LED
6. Zapata
7. Tornillo de fijación para ajuste de inglete
8. Tornillo de fijación para tope en paralelo
9. Escala graduada para ángulo de ingletes
10. Empuñadura adicional
11. Bloqueo del husillo
12. Hoja de la sierra
13. Llave para la hoja de la sierra
14. Conexión para la aspiración de virutas
15. Guía de la línea de corte
16. Tope en paralelo
17. Tornillo para asegurar la hoja de la sierra
18. Brida
19. Arandela Interior
20. Cubierta protectora oscilable
21. Palanca para la cubierta protectora oscilable
22. Escala graduada para profundidad de corte
23. Guía
24. Indicador de capacidad de batería
25. Pulsador para indicar la capacidad de batería

### 2.2 Volumen de entrega

Sirviéndose de la descripción del volumen de entrega, comprobar que el artículo esté completo. Si faltase alguna pieza, dirigirse a nuestro Service Center o a la tienda especializada más cercana en un plazo máximo de 5 días laborales tras la compra del artículo presentando un recibo de compra válido.

- Abrir el embalaje y extraer cuidadosamente el aparato.
- Retirar el material de embalaje, así como los dispositivos de seguridad del embalaje y para el transporte (si existen).
- Comprobar que el volumen de entrega esté completo.
- Comprobar que el aparato y los accesorios no presenten daños ocasionados durante el transporte.
- Si es posible, almacenar el embalaje hasta que transcurra el periodo de garantía.

#### Peligro!

**¡El aparato y el material de embalaje no son un juguete! ¡No permitir que los niños jueguen con bolsas de plástico, láminas y piezas pequeñas! ¡Riesgo de ingestión y asfixia!**

- Sierra circular con batería
- Hoja de la sierra
- Llave para la hoja de la sierra
- Tope en paralelo
- Manual de instrucción original con instrucción de seguridad

#### Accesorios disponibles por separado

18V 1.5Ah PXC batería Li-Ion  
 18V 2.0Ah PXC batería Li-Ion  
 18V 2.5Ah PXC batería Li-Ion  
 18V 3.0Ah PXC batería Li-Ion  
 18V 4.0Ah PXC batería Li-Ion  
 18V 3.0Ah PXC Plus batería Li-Ion  
 18V 4.0Ah PXC Plus batería Li-Ion  
 18V 5.2Ah PXC Plus batería Li-Ion  
 18V 4.0Ah/6.0Ah PXC Plus batería Li-Ion  
 18V 5.0Ah/8.0Ah PXC Plus batería Li-Ion  
 18V PXC cargador rápido de doble Puerto  
 18V PXC cargador rápido

Comuníquese con su distribuidor local para obtener modelos más específicos de baterías y cargadores disponibles en su área. Explorar las opciones de batería y cargador en [einhell.com](http://einhell.com)


### 3. Uso adecuado

La sierra circular de mano con batería está indicada para realizar cortes rectos en madera, materiales similares a la madera y plásticos. Evitar que las puntas de los dientes de la sierra se sobrecalienten y que el plástico se funda.

Utilizar la máquina sólo en los casos que se indican explícitamente como de uso adecuado. Cualquier otro uso no será adecuado. En caso de uso inadecuado, el fabricante no se hace responsable de daños o lesiones de cualquier tipo; el responsable es el usuario u operario de la máquina.

Tener en consideración que nuestro aparato no está indicado para un uso comercial, industrial o en taller. No asumiremos ningún tipo de garantía cuando se utilice el aparato en zonas industriales, comerciales o talleres, así como actividades similares.

### 4. Características técnicas

Alimentación de tensión de motor: ..... 18 V   
 Velocidad marcha en vacío: ..... 3800 RPM (min<sup>-1</sup>)  
 Profundidad de corte a 90°: ..... 2-1/2" (62 mm)  
 Profundidad de corte a 45°: ..... 1-3/4" (43 mm)  
 Hoja de la sierra: ..... Ø 7-1/4" (184 mm)  
 Alojamiento para la  
 hoja de sierra: ..... Ø 5/8" (16 mm)  
 Espesor hoja de la sierra: ..... 1/16" (1.6 mm)  
 Peso (solo herramienta): ..... 7.14 lb (3.24 kg)

#### Usar protección para los oídos.

La exposición al ruido puede ser perjudicial para el oído.

#### ¡Reducir la emisión de ruido y las vibraciones al mínimo!

- Emplear sólo aparatos en perfecto estado.
- Realizar el mantenimiento del aparato y limpiarlo con regularidad.
- Adaptar el modo de trabajo al aparato.
- No sobrecargar el aparato.
- En caso necesario dejar que se compruebe el aparato.
- Apagar el aparato cuando no se esté utilizando.

#### Cuidado!

#### Riesgos residuales

**Incluso si esta herramienta se utiliza adecuadamente, siempre existen riesgos residuales. En función de la estructura y del diseño de esta herramienta eléctrica pueden producirse los siguientes riesgos:**

1. Lesiones pulmonares en caso de que no se utilice una mascarilla de protección antipolvo.
2. Lesiones auditivas en caso de que no se utilice una protección para los oídos adecuada.
3. Daños a la salud derivados de las vibraciones de las manos y los brazos si el aparato se utiliza durante un largo periodo tiempo, no se sujeta del modo correcto o si no se realiza un mantenimiento adecuado.

### 5. Antes de la puesta en marcha

#### ¡Advertencia!

Quitar siempre la batería antes de realizar ajustes en el aparato.

#### 5.1 Ajustar la profundidad de corte (fig. 2/3)

- Soltar la palanca de fijación que se encuentra en la parte posterior de la cubierta de protección para ajustar la profundidad de corte (4).
- Colocar la base de la sierra (6) plana sobre la superficie de la pieza a trabajar. Elevar la sierra hasta que la hoja (12) se encuentre en la profundidad de corte (22) necesaria.
- Volver a fijar la palanca para ajustar la profundidad de corte (4). Comprobar que esté bien sujeta.

#### 5.2 Tope de ingletes (fig. 4/5)

- El ángulo estándar prefijado entre la base de la sierra (6) y la hoja (12) es de 90°. Para efectuar cortes oblicuos es preciso modificar dicho ángulo.
- Soltar el tornillo de fijación que se encuentra en la parte delantera de la base de la sierra para ajustar los ingletes (7).
- El ángulo de corte se puede cambiar hasta en 45°; observar la escala del ángulo de corte (9).
- Volver a apretar el tornillo de fijación para ajustar los ingletes (7). Comprobar que esté bien sujeto.

### 5.3 Aspirar polvo y virutas (fig. 6)

- Conectar un aspirador adecuado (no incluido en el volumen de entrega) a la conexión prevista para la aspiración de virutas (14) en la sierra circular. Dicha conexión permite aspirar de forma óptima las virutas de la pieza. Las ventajas: Favorece el manejo del aparato, al mismo tiempo que protege la salud. El área de trabajo permanece además más limpia y segura.
- El polvo que se genera durante el trabajo puede ser peligroso. Tener en cuenta las instrucciones de seguridad.
- ¡Atención! El aspirador utilizado debe estar indicado para el material a trabajar.
- Comprobar que todas las piezas estén bien unidas.

### 5.4 Tope en paralelo (fig 7/8)

- El tope en paralelo (16) permite serrar líneas en paralelo.
- Aflojar el tornillo de fijación situado en la base de la sierra (6) para el tope en paralelo (8).
- El montaje tiene lugar introduciendo el tope en paralelo (16) en la guía (23) de la base de la sierra (6) (véase fig. 7).
- Determinar la distancia necesaria y volver a apretar el tornillo de fijación (7).
- Como utilizar el tope en paralelo: Colocar el tope en paralelo (16) de forma correcta en el borde de la pieza y empezar a serrar.

### ¡Atención! Realizar un corte de prueba en una pieza de madera sobrante

### 5.5 Guía de la línea de corte (fig. 9)

Con la guía de la línea de corte (15) se pueden realizar cortes de precisión según líneas de corte dibujadas sobre la pieza a trabajar. Utilizar la marca en el ajuste de ángulo 0° o 90°  
La marca debe utilizarse en el ajuste de ángulo de 45°.

Para el ajuste del ángulo ver el apartado 5.2

### ¡Atención! Realizar un corte de prueba en una pieza de madera sobrante

## 6. Manejo

### ¡Advertencia!

Quitar siempre la batería antes de realizar ajustes en el aparato.

### 6.1 Trabajar con la sierra circular de mano

- Sujetar bien el aparato por las empuñaduras previstas para ello (1 y 10) para garantizar un manejo seguro durante su empleo.
- La pieza retrae automáticamente la cubierta protectora oscilable (20).
- ¡No ejercer fuerza!
- Avanzar con la sierra circular de forma suave y homogénea.
- La pieza que se desea trabajar debe encontrarse al lado derecho de la sierra para que la parte ancha de la mesa de apoyo descansa sobre toda su superficie.
- Si se sierra una línea predefinida, guiar la sierra circular por la entalladura correspondiente.
- Sujetar piezas de madera pequeñas antes de trabajarlas. No sujetarla nunca con la mano.
- Tener en cuenta las disposiciones de seguridad. ¡Ponerse gafas de protección!
- No utilizar hojas de sierra defectuosas ni hojas que presenten grietas o hendiduras.
- No utilizar bridas/tuercas cuya perforación sea mayor o inferior a la de la hoja de la sierra.
- No frenar la hoja de la sierra con la mano ni tampoco ejerciendo presión lateral.
- Comprobar que la cubierta protectora oscilable funcione bien. La cubierta protectora oscilable no debe atascarse y, una vez finalizados los trabajos, debe volver a encontrarse en la posición inicial.
- Antes de utilizar la sierra circular comprobar el funcionamiento de la protección oscilable con la sierra desenchufada.
- Antes de utilizar la sierra asegurarse siempre de que los dispositivos de seguridad como, p. ej., protección oscilable, brida y dispositivos de ajuste, funcionen y estén bien ajustados.
- A la conexión para la aspiración de virutas (14) se puede conectar un aspirador adecuado. Asegurarse de que el aspirador esté correctamente conectado.
- Para serrar, la cubierta protectora móvil no puede quedar encajada en la posición retraída.

**¡Atención! ¡Desenchufar la sierra circular antes de realizar cualquier trabajo en la misma!**

### 6.2 Uso de la sierra circular

- Adaptar la profundidad de corte, el ángulo de corte y el tope en paralelo (véase apartados 5.1, 5.2 y 5.4).
- Conectar la sierra circular sólo con la hoja de sierra incorporada!
- Colocar la base de la sierra plana sobre la pieza a trabajar. La hoja de la sierra no debe tocar la pieza.
- Sujetar la sierra circular con las dos manos.

### 6.3 Interruptor ON/OFF (fig. 11)

#### Conexión:

Pulsar simultáneamente la tecla de bloqueo (3) y el interruptor ON/OFF (2).

- Esperar hasta que la hoja de sierra haya alcanzado la velocidad máxima. Desplazar a continuación la hoja de sierra lentamente por la línea de corte. Ejercer sólo una ligera presión sobre la hoja de sierra.

#### Desconexión:

Soltar la tecla de bloqueo y el interruptor ON/OFF

- Al soltar la empuñadura, la máquina se desconecta automáticamente para que no se pueda poner en marcha de forma involuntaria.
- Asegurarse de no cubrir ni obturar los orificios de ventilación durante los trabajos.
- No frenar la hoja de la sierra tras su desconexión presionándola lateralmente.
- ¡Atención! Dejar la máquina una vez la hoja de la sierra se haya parado completamente.

**¡Atención! Realizar un corte de prueba en una pieza de madera sobrante**

### 6.4 Cambiar la hoja de la sierra (fig. 12-16)

#### ¡Advertencia!

Quitar siempre la batería antes de realizar ajustes en el aparato.

Utilizar exclusivamente hojas de sierra que cumplan del mismo modelo que la hoja de sierra suministrada con esta sierra circular de mano. Solicitar información en una tienda especializada.

#### ¡Aviso!

¡No utilizar muelas de lijar!

El diámetro de las hojas de sierra empleadas debe coincidir con los diámetros indicados en la sierra circular de mano.

¡Utilizar únicamente hojas de sierra recomendadas!

Para cambiar la hoja de la sierra se precisa la correspondiente llave adjunta (13). La llave para la hoja de la sierra (13) está guardada en la carcasa. En caso de necesitarla, sacar la llave (13) de la carcasa (véase fig. 13).

**¡Atención!** Por motivos de seguridad, no poner en funcionamiento la sierra circular de mano con la llave para la hoja de la sierra (13) insertada.

- Pulsar el bloqueo de husillo (11).
- Soltar el tornillo para fijar la hoja de la sierra (17) con la llave para la hoja de la sierra (13).
- Retirar y sujetar la cubierta protectora oscilante móvil (20) con una palanca para la cubierta protectora oscilante (21).
- Sacar hacia abajo la brida (18) y la hoja de la sierra (12).
- Limpiar la brida, colocar la nueva hoja de sierra. Tener en cuenta la dirección de marcha (véase flecha en la cubierta de protección y en la hoja de la sierra).
- Apretar el tornillo para fijar la hoja de la sierra (17), tener en cuenta que funcione suavemente.
- Antes de activar el interruptor ON/OFF, es necesario asegurarse de que la hoja de la sierra esté correctamente montada, que las piezas móviles se muevan con suavidad y los tornillos de sujeción estén bien apretados.

### 6.5 Luz LED (fig. 1/pos. 5)

La luz LED (5) permite iluminar adicionalmente el punto de corte. La luz LED (5) se ilumina de forma automática en cuanto se pulsa la tecla de bloqueo para el interruptor ON/OFF (3).

### 6.6 Cómo cargar la batería de litio (no incluido en el volumen de entrega)

Las instrucciones correspondientes se encuentran en el manual de instrucciones original del cargador.

### 6.7 Indicador de capacidad de batería (fig. 10/pos. 24)

Pulsar el interruptor para acceder al indicador de capacidad de la batería (25). El indicador de capacidad de batería (24) le indica el estado de carga de la batería sirviéndose de 3 LEDs.

#### Los 3 LED están iluminados:

La batería está completamente cargada.

#### 2 o 1 LED están iluminados

La batería dispone de suficiente carga residual.

#### 1 LED parpadea:

La batería está vacía, es preciso cargarla.

#### Si todos los LED parpadean:

La temperatura de la batería es demasiado baja. Quitar la batería del aparato y dejarla durante un día a temperatura ambiente. Si vuelve a aparecer el fallo, la batería se ha descargado completamente y está defectuosa. Quitar la batería del aparato. Está prohibido emplear o cargar una batería defectuosa.

## 7. Mantenimiento y limpieza

### Peligro!

Desenchufar la batería antes de realizar trabajos de limpieza.

#### 7.1 Limpieza

- Reducir al máximo posible la suciedad y el polvo en los dispositivos de seguridad, las rendijas de ventilación y la carcasa del motor. Frotar el aparato con un paño limpio o soplarlo con aire comprimido manteniendo la presión baja.
- Se recomienda limpiar el aparato tras cada uso.
- Limpiar el aparato con regularidad con un paño húmedo y un poco de jabón blando. No utilizar productos de limpieza o disolventes ya que se podrían deteriorar las piezas de plástico del aparato. Es preciso tener en cuenta que no entre agua en el interior del aparato. Si entra agua en el aparato eléctrico existirá mayor riesgo de una descarga eléctrica.

#### 7.2 Mantenimiento

No hay que realizar el mantenimiento a más piezas en el interior del aparato.

## 8. Eliminación y reciclaje

El aparato está protegido por un embalaje para evitar daños producidos por el transporte. Este embalaje es materia prima y, por eso, se puede volver a utilizar o llevar a un punto de reciclaje. El aparato y sus accesorios están compuestos de diversos materiales, como, p. ej., metal y plástico. Los aparatos defectuosos no deben tirarse a la basura doméstica. Para su eliminación adecuada, el aparato debe entregarse a una entidad recolectora prevista para ello. En caso de no conocer ninguna, será preciso informarse en el organismo responsable del municipio.

## 9. Almacenamiento

Guardar el aparato y sus accesorios en un lugar oscuro, seco, protegido de las heladas e inaccesible para los niños. La temperatura de almacenamiento óptima se encuentra entre los 41°F y 86°F (5 y 30 °C). Guardar la herramienta eléctrica en su embalaje original.

Sólo está permitido copiar la documentación y documentos anexos del producto, o extractos de los mismos, con autorización expresa de Einhell Germany AG.

Nos reservamos el derecho a realizar modificaciones técnicas





A series of horizontal lines for writing, starting from the top right and extending down to the bottom of the page.



[www.Einhell.com](http://www.Einhell.com)

EH 04/2022 (01)