



GC-RT 7530

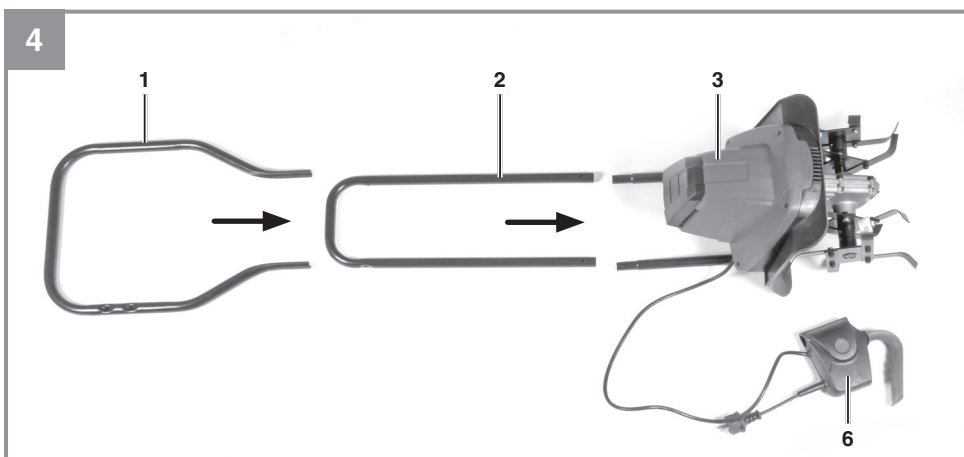
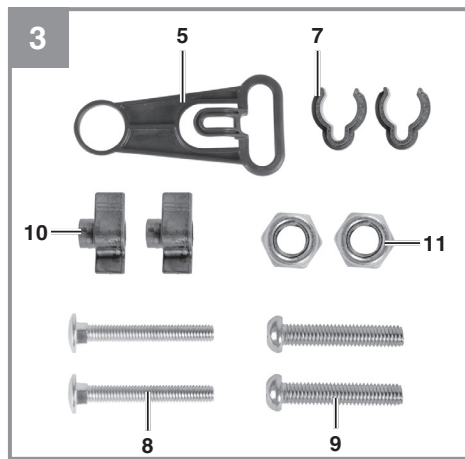
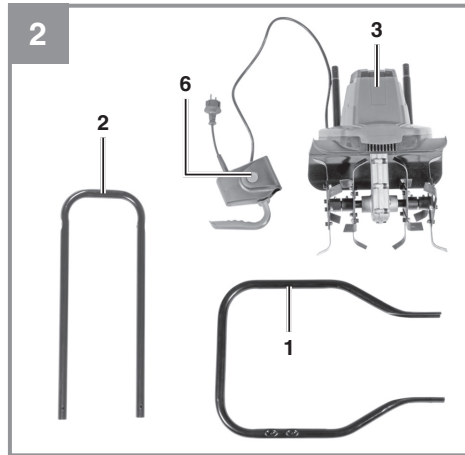
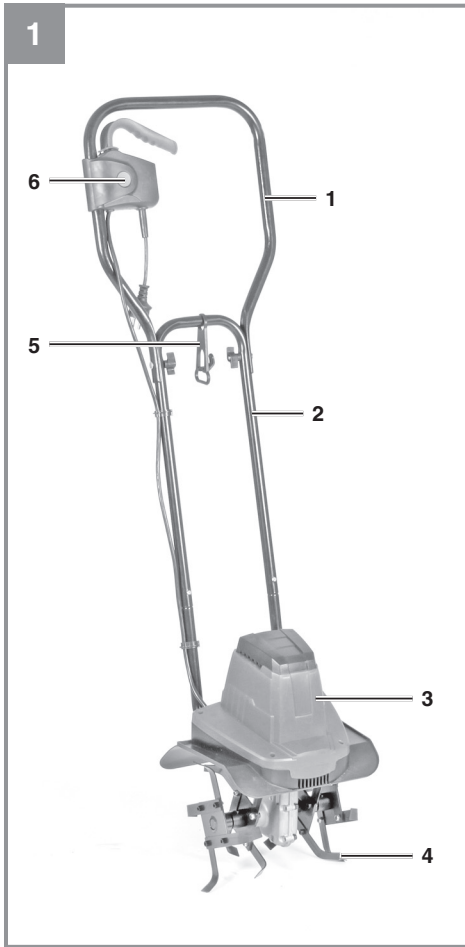
GB Original operating instructions
Electric hoe

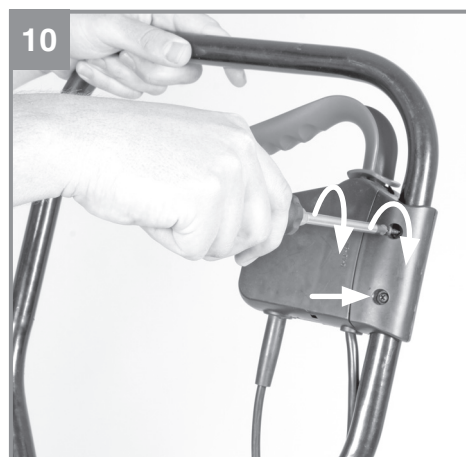
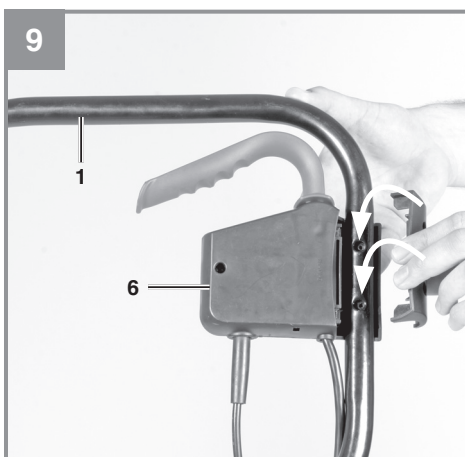
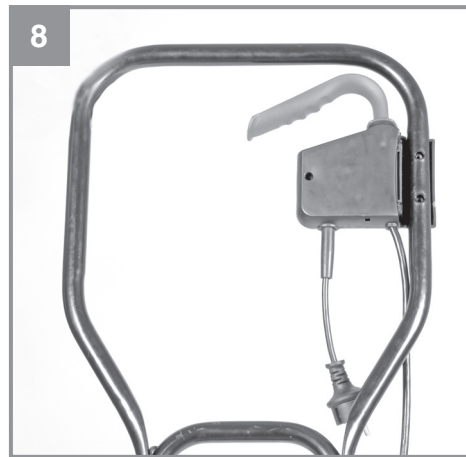
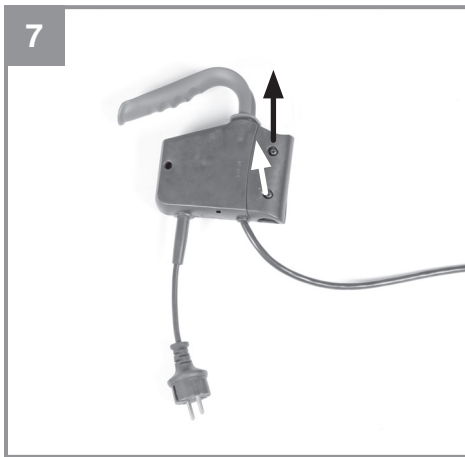
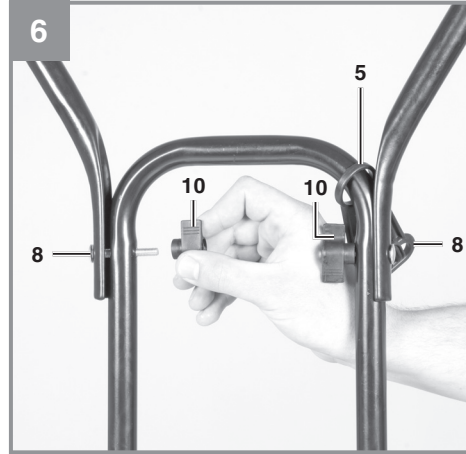
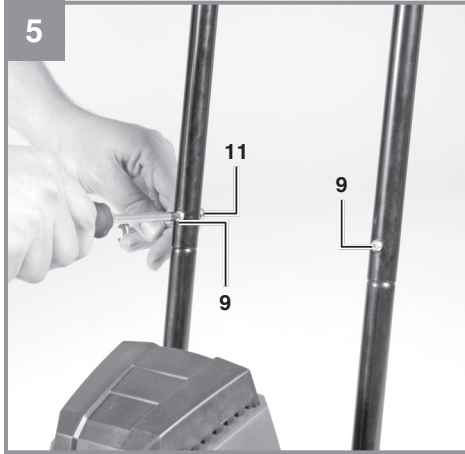
KOR 전기 텃밭 관리기 - 사용설명서

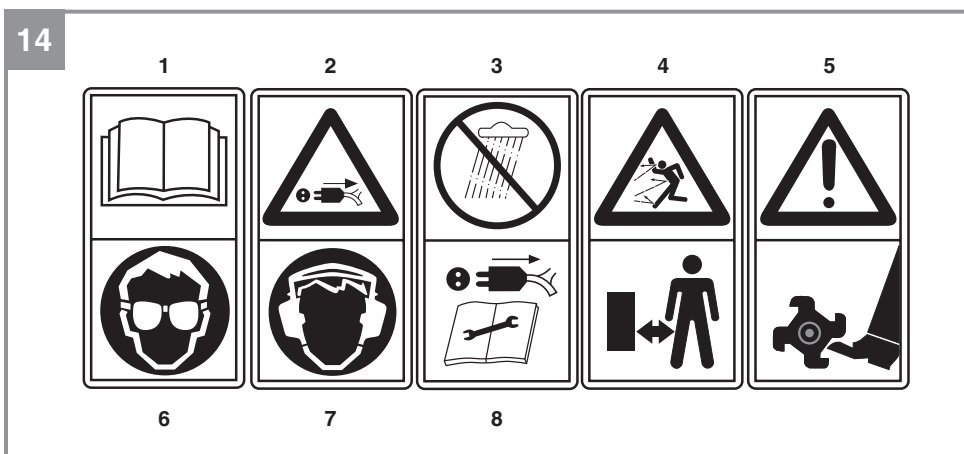
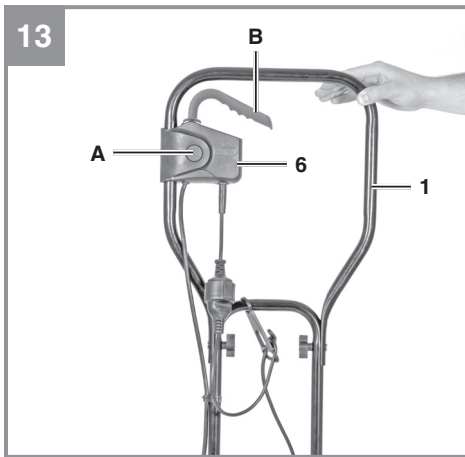
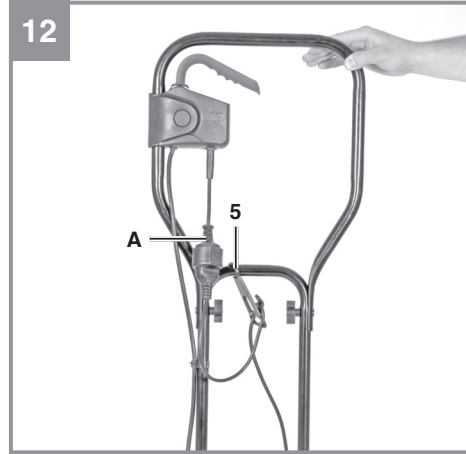
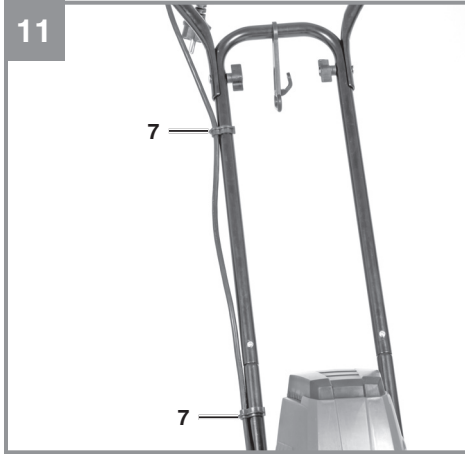


품번: 34.310.51

고유번호: 21012







Danger!

When using the equipment, a few safety precautions must be observed to avoid injuries and damage. Please read the complete operating instructions and safety regulations with due care. Keep this manual in a safe place, so that the information is available at all times. If you give the equipment to any other person, hand over these operating instructions and safety regulations as well. We cannot accept any liability for damage or accidents which arise due to a failure to follow these instructions and the safety instructions.

1. Safety regulations

Danger!**Read all safety regulations and instructions.**

Any errors made in following the safety regulations and instructions may result in an electric shock, fire and/or serious injury.

Keep all safety regulations and instructions in a safe place for future use.**Safety instructions**

Danger! When using electric tools, basic safety precautions should always be followed to reduce the risk of fire, electric shock and personal injury, including the following. Read and follow these instructions before using the equipment and keep the safety information in a safe place.

This equipment is not designed to be used by people (including children) with limited physical, sensory or mental capacities or those with no experience and/or knowledge unless they are supervised by a person who is responsible for their safety or they have received instructions from such a person in how to use the equipment safely. Children must always be supervised in order to ensure that they do not play with the equipment.

1. **Keep work area clean**
– Cluttered areas and benches invite injuries.
2. **Consider work area environment**
– Don't expose power tools to rain. Don't use power tools in damp or wet locations. Keep work area well lit. Don't use power tools in presence of flammable liquids or gases.
3. **Guard against electric shock**
– Prevent body contact with grounded surfaces (e.g. pipes, radiators, ranges refrigerators).

4. **Keep children away**

– Do not let visitors contact tool or extension cord. All visitors should be kept away from work area.

5. **Store idle tools**

– When not in use, tools should be stored in dry, high, or locked-up place, out of the reach of children.

6. **Don't force tool**

– It will do the job better and safer at the rate for which it was intended.

7. **Use right tool**

– Don't force small tools or attachments to do the job of heavy duty tool. Don't use tools for purposes not intended: for example, don't use circular saw for cutting tree limbs or logs.

8. **Dress properly**

– Do not wear loose clothing or jewelry. They can be caught in moving parts. Rubber gloves and nonskid footwear are recommended when working outdoors. Wear protective hair covering to contain long hair.

9. **Use safety glasses**

– Also use face or dust mask if cutting operation is dusty.

10. **Don't abuse cord**

– Never carry tool by cord or yank it to disconnect it from receptacle. Keep cord from heat, oil and sharp edges.

11. **Don't overreach**

– Keep proper footing and balance at all times.

12. **Maintain tools with care**

– Keep tools sharp and clean for better and safer performance. Follow instructions for lubricating and changing accessories. Inspect tool cords periodically and, if damaged, have repaired by authorized service facility. Inspect extension cords periodically and replace if damaged. Keep handles dry, clean and free from oil and grease.

13. **Disconnect tools**

– When not in use, before servicing, and when changing accessories such as blades, bits and cutters.

14. **Remove adjusting keys and wrenches**

– Form the habit of checking to see that keys and adjusting wrenches are removed from tool before turning it on.

15. **Avoid unintentional starting**

– Don't carry plugged-in tool with finger on switch. Be sure switch is off when plugging in.

16. **Outdoor use extension cords**

– When tool is used outdoors, use only extension cords intended for use outdoors and so

marked.

17. Stay alert

– Watch what you are doing. Use common sense. Do not operate tool when you are tired.

18. Check damaged parts

– Before further use of the tool, a guard or other part that is damaged should be carefully checked to determine that it will operate properly and perform its intended function. Check for alignment of moving parts, binding of moving parts, breakage of parts, mounting, and any other conditions that may affect its operation. A guard or other part that is damaged should be properly repaired or replaced by an authorized service center unless otherwise indicated elsewhere in this instructions manual. Have defective switches replaced by an authorized service center. Do not use tool if switch does not turn it on and off.

19. Warning

– The use of any other accessory or attachment other than recommended in this operating instruction or the Einhell catalog may present a risk of personal injury.

20. Have your tool repaired by an expert

– This electric appliance is in accordance with the relevant safety rules repairing of electric appliances may be carried out only by experts otherwise it may cause considerable danger for the user.

Additional safety instructions

- Read the operating instructions with due care. Familiarize yourself with the operator controls and proper operation of the machine
- Never allow children or other persons who are not familiar with the operating instructions to use the machine. Contact your local governmental agency for information regarding minimum age requirements for operating the machine
- Never work in the direct vicinity of persons - especially children - or animals.
- Always keep in mind that the machine operator or user is responsible for accidents involving other persons and/or damage to their property.

Preliminary measures

- Always wear sturdy, non-slip footwear and long trousers when working. Never operate the machine barefoot or in sandals.
- Check the ground on which the machine will be used and remove all objects that could be caught up and violently flung out by it.

- Before using the machine, always visually examine the tools for excessive wear or damage. To prevent any imbalance, replace worn out or damaged parts and mounting bolts as a set only.
- The power cables used are not to be of a lighter duty class than light rubber-insulated H05RN-F in accordance with DIN 57282/VDE 0282 and they must have a cross section of at least 1.5 mm². The connection must be splash-proof. The power cable must be fed through the stress-relief clips and be plugged into the switch/plug block. Before use, check the cable for damage and signs of aging. Never use the machine with worn or damaged cables. If the cable is damaged while working, pull the power plug immediately and only then inspect the damage. Do not touch the power cable until the plug has been pulled.
- Socket couplers to connection elements must be made from rubber, soft PVC or other thermal material of equal rigidity or coated with such material.
- Make sure that all nuts, bolts and screws are tightened securely and that the machine is in safe working condition.
- The equipment may only be connected to a power supply protected by means of an earth-leakage circuit breaker (RCD) with a maximum operating current of 30 mA.

Handling

- Work only in daylight or in good light.
- Always maintain good footing on inclines.
- Only operate the machine at a walking pace.
- Work perpendicular to the slope, never up or down it.
- Be particularly careful when you change direction on a slope.
- Do not work on overly steep inclines.
- Be particularly careful when you turn the machine around or pull it toward yourself.
- Switch on the motor carefully as described in the instructions from the manufacturer and ensure that you keep your feet at a safe distance from the tool.
- Never move your hands or feet toward or under any rotating parts.
- Never lift or carry a machine whilst the motor is running; in addition the power plug should be pulled.
- Switch off the motor whenever you leave the machine unattended.
- If the machine begins to experience unusual

vibrations, immediately switch it off and check it.

- Ensure that you avoid paths that could restrict the free movement of the extension cable.
- Keep cables away from the cutters. The cutters may cause damage to the cables and result in contact with active parts.

Maintenance and storage

- Always make sure that all nuts, bolts and screws are tightened securely so that the machine is in safe working condition.
- Allow the motor to cool before you put the machine in an enclosed area.
- For your own safety, replace worn or damaged parts without delay.
- Switch the machine off and pull the power plug before carrying out any adjustment or cleaning work on it, and before checking to see if the mains connection is entwined or damaged.
- Switch off the motor and pull the power plug:
 - before you dislodge any blockages or clogs.
 - before you clean the machine, inspect it or carry out work on the machine.
 - after you have traveled over an obstacle.
 - if you have struck a foreign object.
 - if the equipment begins to experience exceptionally strong vibrations
- Do not touch damaged cables before disconnected from the power supply. Touching a damaged cable may result in contact with active parts.
- Do not touch the cutters before the equipment is disconnected from the power supply and the cutters have reached a standstill.

Do not lose these safety instructions

Explanation of the symbols on the machine (Fig. 14):

1. Danger! Note the instructions for use!
2. Danger! If the cable is damaged or cut, pull out the power plug from the mains immediately.
3. Danger! Never use the equipment in damp locations.
4. Caution! Danger from catapulted parts; keep a safe distance.
5. Danger! Rotating tool.
6. Caution! Wear safety goggles!
7. Caution! Wear ear muffs!
8. Danger! Pull the power plug before carrying out maintenance, cleaning and repair work.

2. Layout and items supplied

2.1 Layout (Fig. 1-3)

1. Top push bar
2. Bottom push bar
3. Motor unit
4. Hoe blades
5. Cable strain-relief clamp
6. Two-hand safety switch
- 6a Two-point switch
- 6b Selector lever
- 6c Power plug
7. Cable securing clips
8. 2x screw for installing the top push bar
9. 2x screw for installing the bottom push bar
10. 2x wing nut
11. 2x nut M6

2.2 Items supplied

Please check that the article is complete as specified in the scope of delivery. If parts are missing, please contact our service center or the sales outlet where you made your purchase at the latest within 5 working days after purchasing the product and upon presentation of a valid bill of purchase. Also, refer to the warranty table in the service information at the end of the operating instructions.

- Open the packaging and take out the equipment with care.
- Remove the packaging material and any packaging and/or transportation braces (if available).
- Check to see if all items are supplied.
- Inspect the equipment and accessories for transport damage.
- If possible, please keep the packaging until the end of the guarantee period.

Danger!

The equipment and packaging material are not toys. Do not let children play with plastic bags, foils or small parts. There is a danger of swallowing or suffocating!

- Original operating instructions
- Safety instructions

3. Proper use

The machine is designed for digging soil (for example garden beds). Be sure to observe the restrictions in the safety instructions.

The operating instructions as supplied by the manufacturer must be kept and referred to in order to ensure that the machine is properly used and maintained. The instructions contain valuable information on operating, maintenance and servicing conditions.

For safety reasons, the machine may not be used as a drive unit for other work tools or tool sets of any kind.

The equipment is to be used only for its prescribed purpose. Any other use is deemed to be a case of misuse. The user / operator and not the manufacturer will be liable for any damage or injuries of any kind caused as a result of this.

Please note that our equipment has not been designed for use in commercial, trade or industrial applications. Our warranty will be voided if the machine is used in commercial, trade or industrial businesses or for equivalent purposes.

4. Technical data

Voltage	220V ~ 60Hz
Power input	750 W
Working width	30 cm
Hoe diameter	22 cm
Idle speed	400 rpm
Number of blades	4 pieces

Danger!

Sound and vibration

L_{pA} sound pressure level	78.4 dB(A)
K_{pA} uncertainty	2.5 dB
L_{WA} sound power level	90.7 dB(A)
K_{WA} uncertainty	1.37 dB

Wear ear-muffs.

The impact of noise can cause damage to hearing.

Total vibration values (vector sum of three directions) determined in accordance with EN 60745.

Vibration emission value $a_n \leq 2.5 \text{ m/s}^2$
K uncertainty = 1.5 m/s^2

The specified vibration value was established in accordance with a standardized testing method. It may change according to how the electric equipment is used and may exceed the specified value in exceptional circumstances.

The specified vibration value can be used to compare the equipment with other electric power tools.

The specified vibration value can be used for initial assessment of a harmful effect.

Keep the noise emissions and vibrations to a minimum.

- Only use appliances which are in perfect working order.
- Service and clean the appliance regularly.
- Adapt your working style to suit the appliance.
- Do not overload the appliance.
- Have the appliance serviced whenever necessary.
- Switch the appliance off when it is not in use.
- Wear protective gloves.

Caution!

Residual risks

Even if you use this electric power tool in accordance with instructions, certain residual risks cannot be ruled out. The following hazards may arise in connection with the equipment's construction and layout:

1. Lung damage if no suitable protective dust mask is used.
2. Damage to hearing if no suitable ear protection is used.
3. Health damage caused by hand-arm vibrations if the equipment is used over a prolonged period or is not properly guided and maintained.

5. Before starting the equipment

Before you connect the equipment to the mains supply make sure that the data on the rating plate are identical to the mains data.

Warning!

Always pull the power plug before making adjustments to the equipment.

Assembly (Fig. 4-11)

- Place the motor unit and the push bars on the ground in order (Fig. 4).
- Do not forget to slide the cable strain-relief clamp (Fig. 6/Item 5) over the bottom push bar.
- Slide the bottom push bar on to the push bar holder and secure the two components to each other (Fig. 5).
- Now secure the top push bar to the bottom push bar (Fig. 6).
- Install the 2-hand safety switch as shown in Fig. 7-10.
- Secure the cable using the supplied cable securing clips (Fig. 11/7)

Power supply

The machine can be connected to any light socket-outlet (with 220 Volt alternating current). However, the socket outlet must have an earthing contact protected by a 16 A circuit breaker. Additionally, a residual current device (RCD) circuit-breaker with max. 30 mA must be used!

Power cable for the device

Please only use power cables that are not damaged. The total length of the power cable should not exceed 50 meters; going beyond this distance will reduce the power output of the electric motor. The power cable must have a cross-section of 3 x 1.5 mm². The insulating sheath of such machines is frequently damaged.

Some of the causes for this are:

- Cracking due to old age of the insulation
- Kinking caused by improper fastening or guidance of the power cable

Even though power cables with damaged insulation sheaths pose a lethal hazard, some people still use them. Do not make this mistake! Cables, plugs and socket couplers must meet the following requirements listed below. Power cables used to connect machines must have a rubber insulation sheath.

The power cables must, at the very minimum, be of type HO5RN-F and 3-stranded. The cable type must be printed somewhere on the power cable. Only purchase power cables that are marked! Plugs and socket couplers for the power cables must be made from rubber and splash-proof. There is a limit to how long power cables can be. Longer power cables require larger conductor cross-sections. Power cables and connecting lines must be regularly checked for damage. Ensure that the lines are de-energized before checking them. Completely unwind the power cable. Also check power cable entry points, plugs and socket couplers for kinks.

6. Operation

6.1 Starting up

Connect the machine's power supply cable to the plug (Fig. 12/Item A) and secure the power cable with the strain-relief clamp (Fig. 12/Item 5).

Caution! To prevent accidental start-up of the machine, the push-bar is equipped with a two-point switch (Fig. 13/Item A) which must be pressed before the lever switch (Fig. 13/Item B) can be pressed. If the lever switch is released, the machine switches off. Repeat this process several times so that you are sure that your machine functions properly. Before you perform any repair or maintenance work on the machine, ensure that the hoe blades are not rotating and that the power supply is disconnected.

Always ensure that a safe distance (provided by the long handles) is maintained between the machine and the user. Be especially careful when changing direction on slopes and inclines. Maintain a solid footing and wear sturdy, non-slip footwear and long trousers. Always work along the incline (not up and down). Use special caution when backing up and pulling the machine (tripping hazard).

6.2 Tips for proper working

Place the machine in front of the area you wish to hoe and hold it securely on the push bar before you switch on the machine. Guide the hoe blades over the area.

To achieve cleanly hoed soil always ensure that you guide the machine in straight lines wherever possible. In so doing, the aeration swaths should always overlap each other by a few centimeters in order to avoid bare strips.

Switch off the motor promptly when you arrive at the end of the area you wished to hoe. The motor must be switched off when you raise the machine (for example to change direction).

Keep the underside of the machine clean and remove soil deposits. Deposits make it more difficult to start the machine and decrease the working depth. Work perpendicular to the slope on inclined areas. The machine must be switched off and the mains cable disconnected before you make any checks on the hoe blades.

Warning!

The hoe blades will continue to rotate for a few seconds after the motor is switched off. Never attempt to manually stop them. In the event that the rotating hoe blade strikes an object, immediately switch off the machine and wait for the hoe blades to come to a complete stop. Then inspect the condition of the hoe blades. Replace any parts that are damaged.

Lay the power cable on the ground in front of the outlet in a figure 8. Work away from the outlet or cable and ensure that the power cable always trails in the hoed soil which will prevent the hoe blades from traveling over the cable.

7. Replacing the power cable

Danger!

If the power cable for this equipment is damaged, it must be replaced by the manufacturer or its after-sales service or similarly trained personnel to avoid danger.

8. Cleaning, maintenance and ordering of spare parts

Danger!

Maintenance and cleaning work on the machine as well as removal of the safety devices may only be performed when the motor is switched off and the power cable has been pulled.

8.1 Cleaning

- Keep all safety devices, air vents and the motor housing free of dirt and dust as far as possible. Wipe the equipment with a clean cloth or blow it with compressed air at low pressure.
- We recommend that you clean the device immediately each time you have finished using it.
- Clean the equipment regularly with a moist cloth and some soft soap. Do not use cleaning agents or solvents; these could attack the plastic parts of the equipment. Ensure that no water can seep into the device. The ingress of water into an electric tool increases the risk of an electric shock.

8.2 Replace the hoe blades

For safety reasons, we recommend having the hoe blades replaced by an authorized professional (see address on warranty certificate).

Wear working gloves. Use only genuine spare parts since otherwise the function and safety of the machine cannot be guaranteed.

8.3 Maintenance

Ensure that all mounting components (i.e. screws, bolts, nuts etc.) are always tightened so that the machine can be safely operated at all times.

Store the device in a dry room. All the metal parts should be cleaned and then oiled to ensure that they provide a long life. For best results, clean the plastic parts of the machine with a brush or rag.

Do not use any solvents to remove dirt.

At the end of the season, perform a general inspection of the machine and remove any deposits which may have accumulated. At the start of each season, ensure that you check the condition of the machine. If repairs are necessary, please contact one of our customer service centers (see address on warranty certificate).

8.4 Ordering replacement parts:

Please quote the following data when ordering replacement parts:

- Type of machine
- Article number of the machine
- Identification number of the machine
- Replacement part number of the part required

For our latest prices and information please go to www.Einhell-Service.com

9. Disposal and recycling

The equipment is supplied in packaging to prevent it from being damaged in transit. The raw materials in this packaging can be reused or recycled. The equipment and its accessories are made of various types of material, such as metal and plastic. Never place defective equipment in your household refuse. The equipment should be taken to a suitable collection center for proper disposal. If you do not know the whereabouts of such a collection point, you should ask in your local council offices.

10. Storage

Store the equipment and accessories in a dark and dry place at above freezing temperature. The ideal storage temperature is between 5 and 30 °C. Store the electric tool in its original packaging.

11. Troubleshooting guide

Fault	Possible causes	Remedy
Motor does not start	<ul style="list-style-type: none"> - No power at the plug - Cable defective - Switch/plug block defective - Motor terminals or capacitor disconnected - excessive working depth 	<ul style="list-style-type: none"> - Check the power cable and fuse - Check - By customer service workshop - By customer service workshop - Reduce working depth
Motor performance drops	<ul style="list-style-type: none"> - Soil too hard - Blades badly worn 	<ul style="list-style-type: none"> - Correct working depth - Replace hoe blades

Notice! For protection, the motor is equipped with a thermal switch which cuts out when the motor is overloaded and switches on again automatically after a short cooling period.

Service information

We have competent service partners in all countries named on the guarantee certificate whose contact details can also be found on the guarantee certificate. These partners will help you with all service requests such as repairs, spare and wearing part orders or the purchase of consumables.

Please note that the following parts of this product are subject to normal or natural wear and that the following parts are therefore also required for use as consumables.

Category	Example
Wear parts*	Carbon brushes, cultivator blade
Consumables*	
Missing parts	

* Not necessarily included in the scope of delivery!

In the event of defects or faults, please register the problem on the internet at www.Einhell-Service.com. Please ensure that you provide a precise description of the problem and answer the following questions in all cases:

- Did the equipment work at all or was it defective from the beginning?
- Did you notice anything (symptom or defect) prior to the failure?
- What malfunction does the equipment have in your opinion (main symptom)?
Describe this malfunction.

Warranty certificate

Dear Customer,

All of our products undergo strict quality checks to ensure that they reach you in perfect condition. In the unlikely event that your device develops a fault, please contact our service department at the address shown on this guarantee card. You can also contact us by telephone using the service number shown. Please note the following terms under which guarantee claims can be made:

1. These guarantee terms apply to consumers only, i.e. natural persons intending to use this product neither for their commercial activities nor for any other self-employed activities. These warranty terms regulate additional warranty services, which the manufacturer mentioned below promises to buyers of its new products in addition to their statutory rights of guarantee. Your statutory guarantee claims are not affected by this guarantee. Our guarantee is free of charge to you.
2. The warranty services cover only defects due to material or manufacturing faults on a product which you have bought from the manufacturer mentioned below and are limited to either the rectification of said defects on the product or the replacement of the product, whichever we prefer.
Please note that our devices are not designed for use in commercial, trade or professional applications. A guarantee contract will not be created if the device has been used by commercial, trade or industrial business or has been exposed to similar stresses during the guarantee period.
3. The following are not covered by our guarantee:
 - Damage to the device caused by a failure to follow the assembly instructions or due to incorrect installation, a failure to follow the operating instructions (for example connecting it to an incorrect mains voltage or current type) or a failure to follow the maintenance and safety instructions or by exposing the device to abnormal environmental conditions or by lack of care and maintenance.
 - Damage to the device caused by abuse or incorrect use (for example overloading the device or the use of unapproved tools or accessories), ingress of foreign bodies into the device (such as sand, stones or dust, transport damage), the use of force or damage caused by external forces (for example by dropping it).
 - Damage to the device or parts of the device caused by normal or natural wear or tear or by normal use of the device.
4. The guarantee is valid for a period of 24 months starting from the purchase date of the device. Guarantee claims should be submitted before the end of the guarantee period within two weeks of the defect being noticed. No guarantee claims will be accepted after the end of the guarantee period. The original guarantee period remains applicable to the device even if repairs are carried out or parts are replaced. In such cases, the work performed or parts fitted will not result in an extension of the guarantee period, and no new guarantee will become active for the work performed or parts fitted. This also applies if an on-site service is used.
5. To make a claim under the guarantee, please register the defective device at: www.Einhell-Service.com. Please keep your bill of purchase or other proof of purchase for the new device. Devices that are returned without proof of purchase or without a rating plate shall not be covered by the guarantee, because appropriate identification will not be possible. If the defect is covered by our guarantee, then the item in question will either be repaired immediately and returned to you or we will send you a new replacement.

Of course, we are also happy offer a chargeable repair service for any defects which are not covered by the scope of this guarantee or for units which are no longer covered. To take advantage of this service, please send the device to our service address.

Also refer to the restrictions of this warranty concerning wear parts, consumables and missing parts as set out in the service information in these operating instructions.

주의!

상해 또는 피해를 방지하기 위해 제품의 사용 시에는 반드시 취급 유의사항을 사전에 숙지해 주시기 바랍니다. 사용 설명서 및 취급 시 유의 사항을 필히 확인하시기 바랍니다.

본 책자는 항상 찾기 쉬운 장소에 보관하시기 바랍니다. 타인에게 본 기기를 양도할 경우에는 기기의 사용 설명서 및 취급 주의 사항을 반드시 전달해 주시기 바랍니다. 본 지시 사항을 따르지 않고 피해나 사고가 발생할 경우, 당사의 법적 책임은 없음을 알려드립니다.

1. 안전 규정 / 취급 시 유의사항**주의!****안전 규정 및 사용 설명서 필독!**

취급 시 유의사항 및 사용 설명서를 반드시 필독하시기 바랍니다. 조작 방법의 미숙지로 감전 또는 화재로 인하여 심각한 상해 및 피해를 입을 수 있습니다.

비상 시 참고를 위해, 안전 관리 규정 (취급 시 유의사항) 및 사용설명서를 항상 찾기 쉬운 잘 보이는 곳에 보관하시기 바랍니다.

안전 규정 지침

주의! 화재, 감전 또는 상해 및 부상의 위험을 방지하기 위해 전동 공구 사용 전, 반드시 안전 주의 사항을 필독하시기 바랍니다. 추후 참조를 위해 안전 규정 지침 및 사용설명서는 작업자의 눈에 잘 띄는 곳에 보관해 주시기 바랍니다.

본 기기는 신체적, 감각적 또는 정신적 장애 또는 문제가 있거나 발달이 덜 된 사람 (어린이, 유아 포함) 및 지식/경험이 없는 사람에게 사용되어서는 안됩니다. 또한 안전을 책임지는 사람이 승인 또는 지침을 받은 경우를 제외하고 사용이 불가합니다. 안전 지침 교육을 받은 사람에 의해 사용되어야 합니다. 어린이의 기기 작동 및 사용을 일체 금합니다.

1. 작업장 내 청결 유지

- 어수선한 작업장 내에서의 작업은 부상 및 사고 발생 위험이 있습니다.

2. 작업장 환경 / 상태 고려

- 비 또는 습기에 전동공구의 노출을 금합니다. 우천 시, 외부에서 전동공구를 사용해서는 안됩니다. 작업 공간의 조명은 항상 밝고 환하게 유지해 줍니다. 가연성 / 인화성 액체 또는 가스가 있는 장소, 공간에서 전동공구 사용을 금합니다.

3. 감전으로부터 보호

- 접지된 바닥면과의 신체 접촉이 없도록 각별히 주의를 기울여 주십시오. (예: 파이프,

온열 난방기기, 전자 레인지, 냉장고 등)

4. 어린이의 사용 및 접근 금지

- 작업 반경 내, 작업자 외의 기기 및 연장선 전원 코드 근처 접근 금지

5. 미사용 공구 보관

- 기기의 미사용 시 건조하고 어린이 및 유아 손이 닿지 않는 곳에 보관 후 시건 장치를 하여 줍니다.

6. 기기에 무리한 힘 또는 하중 금지

- 보다 안전하고 효율적인 작업 가능

7. 올바른 용도/ 목적으로의 사용

- 작은 공구 또는 부속품을 산업 중장비 작업 용도로 무리한 하중 및 힘을 주어 작업을 하지 마십시오.

8. 단정하고 깔끔한 복장

- 몸에 딱 맞는 작업복 또는 복장을 착용하고 장신구 착용은 금지입니다. 회전하거나 움직이는 기기 또는 액세서리에 걸릴 수 있습니다. 고무 장갑 및 미끄럼방지 신발 착용을 권장 합니다.

9. 보호 안경 (안전 고글) 착용

- 분진이 발생하는 작업 시, 안면 마스크 또는 분진 마스크 착용

10. 전원 코드선 (케이블) 취급 주의

- 코드선을 잡은 채로 기기를 들거나 운반금지, 전원 소켓에서 코드선 제거 시, 반드시 플러그 몸통을 잡고 제거할 것. 뜨거운 물체, 오일 또는 날카로운 물체로부터 멀리해 주십시오.

11. 올바른 자세 유지

- 작업 시 항상 올바른 자세와 균형 유지

12. 주의를 기울여 기기 유지 보수 및 관리

- 기기의 효율적이고 안전한 성능을 위해 기기를 깨끗이 세척하고 절단날 또는 부속품을 잘 관리해 줍니다. 윤활 및 교환 지침을 따라 줍니다. 기기 전원 코드선을 정기적으로 점검하고 손상 또는 마모된 경우, 교체해 주십시오. 손잡이 부분은 깨끗하게 세척하고 오일 또는 그리스가 묻지 않도록 해줍니다.

13. 전원 연결 제거

- 기기 미사용 시, 수리 및 점검 시, 소모품 및 액세서리 교체 시, 기기 전원 연결을 제거해 주십시오.

14. 렌치 및 스패너 등의 공구의 별도 보관

- 기기 작업 전, 작업장 및 작업 반경 주위에 불필요한 공구를 모두 치워 주십시오.

15. 의도치 않은 기기의 작동 (전원 켜짐)

- 스위치를 켜 상태에서 전동 공구를 휴대, 이동하지 마십시오. 전원 플러그를 꽂을 때 반드시 전원 스위치를 Off상태로 설정해 줍니다.

16. 연장 케이블 사용 (외부 작업 시)

- 외부 또는 야외에서 기기 작업 시, 외부 작업용 연장 케이블을 사용해 주십시오.

17. 기기 취급 주의

- 기기 사용 시 항상 주의를 기울여 줍니다. 항상 최상의 컨디션 상태에서 작업을 하십시오.

18. 손상, 마모 또는 고장 부품의 점검

- 기기의 사용 및 작업 전, 보호 가드 또는 손상된 부품을 주의 깊게 점검하여 기기가 올바르게 작동하고 제대로 작업 기능을 수행할 수 있는지 확인합니다. 움직이는 부품의 정렬, 결합, 부품의 파손, 장착 및 기타 작동에 영향을 줄 수 있는 조건을 확인합니다. 안전 보호 가드 또는 기타 손상된 부품은 본 사용 설명서에 별도 명시 되어 있지 않은 한, 공식 서비스 센터에서 수리하거나 교체해야 합니다. 결합이 있는 스위치는 공식 서비스 센터에 수리를 의뢰, 교체해 줍니다. 스위치가 정상적으로 작동 하지 않을 경우, 기기 사용 금지.

19. 주의 사항

- 본 사용 설명서 및 안전 규정 지침, 카탈로그에 권장하지 않는 다른 부속품 및 액세서리 사용 시, 부상 및 상해의 위험이 있습니다.

20. 전문 A/S 기사에 기기 점검 및 수리 의뢰

- 전동 공구는 관련 안전 규정 지침에 의거 하여 기기 수리 및 점검은 전문 교육을 받은 A/S 기사에게 의뢰해 주십시오. 기기 고장 및 부상의 위험이 있습니다.

추가 안전 규정

- 사용설명서 필독, 작업 시, 기기 제어 및 올바른 작동 방법 숙지.
- 어린이 또는 유아, 기기 사용에 익숙치 않은 사람의 기기 사용 및 작업 금지.
- 사람, 특히 어린이 및 유아, 그리고 동물이 있는 근처에서 작업 금지.
- 작업 시 부주의로 인한 제 3자의 상해 및 사고 발생 시, 작업자에게 책임이 있습니다. (물적, 인적 피해)

사용 / 취급 주의 사항

- 작업 시, 항상 작업 안전화 및 안전복을 착용해 주십시오. 맨발 또는 샌들을 신고 기기를 조작 하지 마십시오.
- 기기가 장치 / 거치되는 바닥을 확인하고 기기에 걸려 손상 또는 고장이 날 수 있는 기타 공구 또는 재료를 치워 주십시오.
- 기기 사용 전, 항상 기기의 심각한 마모 및 손상 여부를 육안으로 점검해 줍니다. 효율적이고 고른 작업을 위해 마모 또는 손상된 부품 과액세서리를 신품으로 교체해 주십시오.
- 사용되는 전원 케이블은 DIN 57282/VDE 0282 조항에 따라 절연 처리된 가벼운 고무 H05RN-F보다 낮은 등급일 경우, 사용이 불가하며 최소 1.5 mm² 단면을 만족해야 합니다. 연결부는 불꽃 뿜 방지 기능이 적용되어야 합니다.

가하며 최소 1.5 mm² 단면을 만족해야 합니다. 연결부는 불꽃 뿜 방지 기능이 적용되어야 합니다.

- 전원 케이블은 케이블 고정/풀림 클립으로 조정할 수 있으며 스위치/플러그에 꽂혀 있어야 합니다. 사용 전 케이블의 손상 및 마모 여부를 확인하십시오. 케이블이 마모, 손상된 상태에서 기기를 작동하지 마십시오. 작업 중 케이블이 손상된 경우, 즉시 전원 플러그를 제거하고 손상된 부분을 확인해 줍니다. 플러그를 전원 소켓에서 제거할 때 까지 케이블을 절대 만지지 마십시오.
- 연결부의 소켓 커플러는 고무, 연성 PVC 또는 동일한 강성의 기타 방열 소재로 제작 또는 코팅 되어야 합니다.
- 모든 너트, 볼트 및 나사가 제대로 완전히 조여져 있고 기기가 안전하게 잘 작동하고 있는지 확인 하십시오.
- 기기는 최대 작동 전류가 30 mA인 접지 유출 회로 차단기 (RCD)를 통해 보호되는 전원 공급 장치에만 연결할 수 있습니다.

기기의 사용

- 주간 또는 조명이 밝은 곳에서 작업할 것.
- 올바른 작업 자세 유지
- 최상의 컨디션 상태에서 기기 작업
- 경사면에서 수직 방향으로 작업할 것
- 경사면에서 방향 전환 시 주의할 것
- 급격하게 가파른 경사면 작업 금지
- 기기의 회전, 또는 작업자 방향으로 당길 경우 주의할 것
- 제조업체의 규정 및 지침에 따라 전원을 켜고 안전 거리 확보할 것
- 회전하는 부품의 접촉 금지
- 기기의 모터 작동 시, 기기의 운반 또는 이동 금지. 반드시 전원 플러그 제거할 것
- 기기의 보관 또는 미사용 시, 기기의 전원 스위치 Off할 것
- 기기에서 비정상적 진동 발생 시, 즉시 전원을 끄고 점검할 것
- 외부 /야외 작업 시, 연장케이블이 꼬이거나 방해받지 않는 동선에서 작업할 것
- 전원 케이블을 절단기에서 멀리해 주십시오. 절단날로 인해 전원 케이블이 손상되어 작동 중인 부품과 부딪힐 위험이 있습니다.

기기의 유지 보수 및 보관

- 항상 모든 너트, 볼트 및 나사가 안전하게 제대로 고정되어 있는지 확인하십시오.
- 밀폐된 공간에 기기를 보관하기 전, 과열된 모터가 식을 때 까지 기다려 줍니다.
- 안전을 위해 마모 또는 손상된 부품을 즉시 교체하십시오.
- 기기의 조정 또는 세척 전, 전원을 끄고 전원 플러그를 뽑아 줍니다. 주전원 연결부가 얽히

- 거나 손상되었는지 확인합니다.
- 막힘 현상이나 이물질 제거하기 전, 기기 세척 및 유지 보수 작업 전, 장애물 위로 작업 후, 돌 또는 물체에 부딪히거나 충격 발생 시, 기기에 충격이 가해졌을 때, 진동 발생 시 - 기기의 전원을 끄고 전원 플러그를 뽑아 주십시오.
- 전원 공급 장치에서 기기를 분리하기 전, 손상된 케이블 접촉 금지. 손상된 케이블접촉 시, 작동중인 부품에 부상을 입을 수 있습니다.
- 기기가 주전원 공급장치에서 분리되어 절단날이 정지 상태가 될 때 까지 절단날을 만지지 마십시오.

안전 규정 지침을 안전한 곳에 보관하십시오.

텃밭 관리기의 기호에 대한 설명 (그림 14):

1. 위험! 사용설명서를 참고하십시오.
2. 위험! 케이블이 손상되었거나 잘린 경우 즉시 콘센트에서 전원 플러그를 뽑습니다.
3. 위험! 습기가 많은 곳에서는 제품을 사용하지 마십시오.
4. 주의! 작동 중 튀는 돌의 위험; 안전한 거리를 유지하십시오.
5. 위험! 회전 날
6. 주의! 안전 고글을 착용하십시오.
7. 주의! 귀마개를 착용하십시오.
8. 위험! 유지 보수, 청소 및 수리 작업을 수행하기 전에 항상 전원 플러그를 뽑습니다.

2. 제품 구성 및 공급 품목

2.1 제품 구성 (그림 1-3)

1. 상단 손잡이
2. 하단 손잡이
3. 본체
4. 작업 로터리 날
5. 전원 케이블 안전 보호클립
6. 안전 스위치(2점식) / 전원 플러그
7. 전원 케이블 고정 클립
8. 상단손잡이 고정나사 2개
9. 하단손잡이 고정나사 2개
10. 워 너트 2개
11. M6 너트 2개

2.2 공급 품목

제품 수령 후 박스를 개봉하여 구성품을 확인하기 바랍니다. 구성품이 누락된 경우, 구매일로 부터 5 영업일 이내에 아인헬 서비스 센터 또는 가까운 영업 판매점으로 연락하시기 바랍니다. 사용설명서의 마지막에 있는 서비스 정보의 품질 보증 관련 사항을 참조하십시오.

- 포장박스를 제거하고 주의를 기울여 제품을 꺼냅니다.
- 포장박스과 재사용 가능한 포장재료 및 배송용 자재를 제거하십시오.
- 모든 구성품이 제대로 들어있는지 확인하십시오.
- 배송 중에 제품 및 액세서리에 이상이 있는지 확인하십시오.
- 가능하면 보증 기간이 끝날 때까지 포장박스를 보관하십시오.

위험! 본 제품 및 포장재는 어린이들의 손이 닿지 않는 곳에 보관하십시오. 포장 비닐, 호일 또는 부품을 가지고 놀거나 삼키지 않도록 하십시오. 질식의 위험이 있습니다.

- 사용설명서
- 안전규정 / 취급 시 유의 사항

3. 올바른 사용 방법

본 제품은 토양(예 : 정원이나 화단)을 파기 위해 제작되었습니다. 안전 지침의 제한 사항을 준수하십시오.

제품을 제대로 사용하고 유지 보수하려면 제조업체가 제공한 사용설명서를 보관하고 참조해야 합니다. 사용설명서에는 운영, 유지 보수 및 서비스 조건에 대한 중요한 정보가 있습니다.

안전상의 이유로, 본 제품은 어떤 종류의 다른 작업 기계 또는 기계 세트에 대한 구동부로 사용할 수 없습니다.

본 제품은 사용설명서에 기재된 용도와 목적에 맞게 사용되어야 합니다. 이런 목적 외의 다른 사용은 오용으로 간주됩니다. 사용자는 오용으로 인해 발생한 모든 종류의 손상이나 부상에 대해 책임을 지며, 제조사는 책임지지 않습니다. 본 제품은 상업, 무역, 산업 응용 분야에서 사용하도록 설계되지 않았습니다. 본 제품의 사용이 상업, 무역, 산업 시설 또는 이와 동등한 목적으로 사용되는 경우, 당사의 품질 보증은 무효화됩니다.

4. 기술 사양 / 상세 제원

전압.....	220V / 60Hz
소비 전력	750 W
작업 폭	30 cm
작업날 직경	22 cm
무부하 속도	400rpm/분
작업 날 수	4 날

위험!

소음과 진동

L_{pA} 음압측정수치	78.4 dB(A)
K_{pA} 오차범위	3 dB
L_{WA} 음력측정수치	90.7 dB(A)
K_{WA} 오차범위	1.37 dB

귀마개를 착용하십시오.

소음의 영향으로 청력이 손상될 수 있습니다.

EN 60745에 따라 결정된 총 진동 값(3방향 벡터 합).

진동 방출 값 $a_h \leq 2.5 \text{ m/s}^2$
K 오차범위 = 1.5 m/s^2

지정된 진동 값은 표준화된 테스트 방법에 따라 설정되었습니다. 전기 장비 사용 방법에 따라 변경될 수 있으며 예외적인 상황에서 지정된 값을 초과할 수 있습니다.

지정된 진동 값은 장비를 다른 전동 공구와 비교하는 데 사용할 수 있습니다.

지정된 진동 값은 유해한 영향의 초기 평가에 사용될 수 있습니다.

소음 방출과 진동을 최소한으로 유지하십시오.

- 완벽하게 작동하는 기기만 사용하십시오.
- 정기적으로 기기를 수리하고 청소하십시오.
- 기기의 용도에 맞는 작업을 해주십시오.
- 기기에 무리한 힘을 가하지 마십시오.
- 기기의 이상 또는 고장 시 수리하십시오.
- 사용하지 않을 때는 반드시 기기의 전원을 꺼 주십시오.
- 보호 장갑을 착용하십시오.

주의!

발생할 수 있는 잔존 위험!

지침에 따라 전동 공구를 사용하더라도 특정 잔류 위험을 배제할 수 없습니다. 기기의 구성 및 배치와 관련하여 다음과 같은 위험이 발생할 수 있습니다.

1. 적합한 방진 마스크를 사용하지 않으면 폐가

손상될 수 있습니다.

2. 적합한 귀마개를 사용하지 않으면 청력이 손상될 수 있습니다.
3. 기기를 장기간 사용하거나 올바르게 사용되고 유지되지 않을 경우 손과 팔의 진동으로 인한 건강 손상이 있을 수 있습니다.

5. 제품을 사용하기 전에

기기를 콘센트 전원에 연결하기 전에 명판의 데이터가 주전원 데이터와 동일한지 확인하십시오. **경고! 기기를 조정하기 전에 항상 전원 플러그를 뽑으십시오.**

제품 조립 (그림 4-11)

- 본체와 손잡이를 순서대로 바닥에 놓습니다. (그림 4)
- 전원 케이블 보호 클립(그림 6/항목 5)을 하단 손잡이 위로 밀어 넣는 것을 잊지 마십시오.
- 하단 손잡이를 손잡이 홀더에 밀어 넣고 두 손잡이를 서로 고정시킵니다. (그림 5)
- 상단 손잡이를 하단 손잡이에 고정합니다. (그림 6)
- 그림 7-10과 같이 2핸드 안전 스위치를 설치합니다.
- 동봉된 케이블 고정 클립을 사용하여 케이블을 고정합니다. (그림 11/7)

전원 공급 장치

이 기기는 모든 조명 콘센트에 연결할 수 있습니다. (220V 교류 포함) 그러나 콘센트에는 16A 회로 차단기로 보호되는 접지 접점이 있어야 합니다. 또한 최대 30mA의 잔류 전류 장치(RCD) 회로 차단기를 사용해야 합니다. 장치의 전원 케이블이 손상되지 않은 전원 케이블만 사용하십시오. 전원 케이블의 총 길이는 50 m를 초과하면 안 됩니다. 이 거리를 초과하면 전기 모터의 출력이 감소합니다. 전원 케이블의 단면적은 $3 \times 1.5 \text{ mm}^2$ 이어야 합니다. 이와 같은 기기의 절연 피복은 자주 손상됩니다.

이에 대한 몇 가지 원인은 다음과 같습니다.

- 단열재의 노후로 인한 균열
- 전원 케이블의 잘못된 연결 또는 사용으로 인한 꼬임

절연 피복이 손상된 전원 케이블은 치명적인 위험을 초래하므로 절대 사용하지 마십시오. 케이블, 플러그 및 소켓 커플러는 아래 나열된 다음 요구 사항을 충족해야 합니다. 기기를 연결하는데 사용되는 전원 케이블에는 고무 절연 피복이 있어야 합니다.

전원 케이블은 최소한 HO5RN-F 유형과 3가닥 이어야 합니다. 케이블 유형이 표기되어 있는 전원 케이블만 구입하여 사용하십시오. 전원 케이블용 플러그 및 소켓 커플러는 고무로 만들어져야 하며 생활 방수가 되어야 합니다. 전원 케이블의 길이에는 제한이 있습니다. 더 긴 전원 케이블에는 더 큰 컨덕터 단면적이 필요합니다. 정기적으로 전원 케이블과 연결 라인의 손상 여부를 확인해야 합니다. 라인을 점검 하기전에 라인의 전원이 차단되었는지 확인하십시오. 전원 케이블의 꼬임을 완전히 풀어주십시오. 또한 전원 케이블 진입점, 플러그 및 소켓 커플러에 꼬임이 있는지 확인하십시오.

6. 기기의 작동

6.1 시동

기기의 전원 공급 장치 케이블을 플러그(그림 12/항목 A)에 연결하고 전원 케이블 보호 클립(그림 12/항목 5)으로 전원 케이블을 고정합니다.

주의! 기기의 우발적인 시동을 방지하기 위해 손잡이에는 레버 스위치(그림 13 / 항목 B)를 누르기 전에 눌러야 하는 2점식 안전 스위치 (그림 13 / 항목 A)가 장착되어 있습니다. 레버 스위치를 놓으면 기기가 꺼집니다. 이 과정을 여러 번 반복하여 기기가 제대로 작동하는지 확인하십시오. 기기에서 수리 또는 유지 보수 작업을 수행하기 전에 작업 회전 날이 회전하지 않고 전원 공급 장치의 연결이 차단되었는지 확인하십시오. 항상 기기와 사용자 사이에 안전한 거리(긴 손잡이 제공)가 유지되는지 확인하십시오. 경사로와 경사면에서 방향을 변경할 때는 특히 주의하십시오. 견고한 발판을 유지하고 튼튼하고 미끄러지지 않는 신발과 긴 바지를 착용하십시오. 항상 경사를 따라 일하십시오. (위아래가 아님) 기기를 추진하거나 당길 때 넘어지지 않도록 특히 주의하십시오.

6.2 올바른 작업 팁

기기를 작업할 지역 앞에 놓고 기기를 켜기 전에 손잡이에 단단히 고정하십시오. 해당 지역에서 작업 회전 날을 사용하십시오. 깨끗하게 작업된 토양을 얻으려면 항상 가능한 직선으로 기기를 사용해야 합니다. 그렇게 하면, 경운 작업 후 노출된 고랑을 피하기 위해 항상 몇 센티미터씩 겹쳐야 합니다. 경운 작업이 종료되면 즉시 전원을 끄십시오. 기기를 들어 올릴 때(예: 방향 변경) 전원을 꺼야 합니다. 기기의 밑면을 깨끗하게 유지하고 흙 침전물을 제거하십시오. 침전물은 기기를 시작하고 작업 깊이를 줄이는 것을 더 어렵게 만듭니다. 경사진

곳에서는 경사면에 수직으로 작업하십시오. 작업 회전 날을 점검하기 전에 기기의 전원을 끄고 콘센트 전원과 분리해야 합니다.

경고!

작업 회전 날은 전원이 꺼진 후 몇 초 동안 계속 회전합니다. 수동으로 중지하려고 시도하지 마십시오. 회전하는 회전 날이 물체에 부딪히면 즉시 기기를 끄고 회전 날이 완전히 멈출 때까지 기다리십시오. 그런 다음 회전 날의 상태를 점검하십시오. 손상된 부품을 교체하십시오.

전원 케이블을 그림 8의 콘센트 앞 바닥에 놓습니다. 콘센트 또는 케이블에서 멀리 떨어져 작업하고 전원 케이블이 항상 회전 날이 케이블을 통해 이동하는 것을 방지하는 날이 있는 흠을 따라가는지 확인하십시오.

7. 전원 케이블 교체

위험!

이 기기의 전원 케이블이 손상된 경우 위험을 방지하기 위해 제조업체 또는 서비스 센터의 숙련된 직원이 교체해야 합니다.

8. 기기의 청소, 유지 보수 및 예비 부품 주문

위험!

안전 장치의 제거뿐만 아니라 기기의 유지 보수 및 청소 작업은 전원이 꺼지고 전원 케이블이 당겨진 경우에만 수행할 수 있습니다.

8.1 청소

- 모든 안전 장치, 통풍구 및 기기 본체를 가능한 한 먼지가 없도록 유지하십시오. 깨끗한 천으로 기기를 닦아내거나 저압에서 압축 공기로 불어 청소하십시오.
- 사용을 종료한 후 즉시 기기를 청소하는 것이 좋습니다.
- 은 천과 부드러운 비누로 기기를 정기적으로 청소하십시오. 세제 또는 용제를 사용하지 마십시오. 그것으로 인한 기기의 플라스틱 부분이 손상될 수 있습니다. 기기에 물이 스며들지 않도록 하십시오. 기기 본체에 물이 침투하면 감전의 위험이 증가합니다.

8.2 작업 회전 날 교체

안전상의 이유로 회전 날은 숙달된 전문가가 교체하는 것이 좋습니다.(보증서의 주소 참조) 작업 장갑을 착용하십시오. 기기의 기능과 안전을 보장하기 위하여 순정 부품만 사용하십시오.

8.3 유지 보수

모든 장착 구성 요소(예: 나사, 볼트, 너트 등)를 항상 조여서 기기가 안전하게 작동할 수 있도록 하십시오. 기기를 건조한 방에 보관하십시오. 모든 금속 부품은 청소한 다음 오일을 발라야 긴 수명이 보장됩니다. 최상의 결과를 얻으려면 브러시와 갈레로 기기의 플라스틱 부품을 청소하십시오. 먼지를 제거하기 위해 용제를 사용하지 마십시오. 작업 종료 후 기기의 일반 검사를 수행하고 축적된 침전물을 제거하십시오. 다음 작업이 시작될 때 기기의 상태를 확인하십시오. 수리가 필요한 경우 아인헬 고객 서비스 센터로 문의하십시오. (보증서의 주소 참조)

8.4 교체 부품 주문:

교체 부품을 주문할 때 다음 데이터를 인용하십시오.

- 기기의 명칭 / 종류
- 기기의 품번
- 기기의 고유번호
- 필요한 부품의 교체 부품 번호

최신 가격 및 정보는 www.einhell-korea.co.kr에서 확인하시기 바랍니다.

9. 기기의 폐기 및 재활용

기기는 운송 중에 손상되는 것을 방지하기 위해 포장된 상태로 배송됩니다. 이 포장재의 모든 재료는 재사용 및 재활용이 가능합니다. 기기 및 액세서리는 금속 및 플라스틱과 같은 다양한 재료로 만들어집니다. 고장 난 기기를 가정에서 일반 쓰레기로 버리지 마십시오. 반드시 폐기물 종류에 맞도록 분리하여 처리하여 주십시오.

10. 보관

기기와 액세서리는 직사광선을 피하고 건조한 곳에 보관하십시오. 이상적인 보관온도는 약 5 ~ 30 °C입니다. 본 기기를 원래 포장상태로 보관하십시오.

11. 문제 해결 가이드

문제점	원인	해결
작동 불가	<ul style="list-style-type: none"> - 플러그에 전원이 들어오지 않음 - 케이블 결함 - 스위치/플러그 블록 결함 - 모터 단자 연결 끊김 - 과도한 작업 깊이 	<ul style="list-style-type: none"> - 전원 케이블 확인 - 확인 - 고객센터 서비스 센터 이용 - 고객센터 서비스 센터 이용 - 작업 깊이 감소
모터 성능 저하	<ul style="list-style-type: none"> - 너무 딱딱한 도양 상태 - 마모가 심한 회전 날 	<ul style="list-style-type: none"> - 정확한 작업 깊이 - 작업 회전 날 교체

공지! 기기 모터의 보호를 위해 과부하 될 때 차단되고 짧은 냉각 기간 후에 자동으로 다시 켜지는 열 스위치가 장착되어 있습니다.

서비스 문의

품질 보증서에 명시된 바와 같이 여러 국가에 공식 인증 서비스 센터가 위치하고 있으며, 연락처 세부 정보를 확인할 수 있습니다. 이러한 서비스 파트너는 수리, 부속품 및 교체품 주문 또는 소모품 구매와 같은 모든 종류의 서비스 요청을 처리합니다.

본 기기의 하기 명시된 부속품은 기본 소모품 또는 자연적 소모품으로 대체품의 용도로 사용됩니다.

구분	예시
소모품	카본 브러쉬, 관리기 날
일반 소모품	
분실한 부품	

본 기기의 하자 또는 결함이 발견될 경우, 이메일 주소 leecho94@naver.com 으로 문의하시기 바랍니다. 제품의 상태 및 문제점에 대해 상세히 기술하시고 하기 사항에 답변해 주시기 바랍니다.

- 기기가 처음부터 제대로 작동했는지 여부, 결함이 있었는지 여부
- 기기가 작동하지 않기 전에 증상 또는 결함이 있었는지 확인 여부
- 기기의 오작동 증상은 무엇인지, 고장 및 상태에 대해 기술

품질 보증서

고객님께,

당사의 모든 제품은 엄격한 품질 검사를 거쳐 완벽한 상태로 고객에게 전달됩니다.

기기에 고장 또는 결함이 발생한 경우, 보증서에 명시된 주소의 당사 서비스 부서로 문의하십시오. 보증서에 표기된 서비스 번호로 유선상으로도 문의가 가능합니다. 품질 보증에 의한 처리가 가능한 세부 명시는 하기를 참조하시기 바랍니다.

- 본 보증은 소비자에게만 적용됩니다. 즉, 본 기기를 상업적 용도 또는 기타 자영업 목적의 용도로 사용하지 않는 일반 구매자에게 적용됩니다. 이 보증 조항은 추가 보증 서비스를 규제하며, 하기에 명시된 제조업자는 법적 보증의 권리 외에도 새로운 제품의 구매자에게 적용됩니다. 귀하의 법적 보증 클레임 청구의 경우, 본 보증서의 영향을 받지 않게 되며, 본 보증은 무료입니다.
 - 보증 서비스는 하기에 언급된 바와 같이 제조업체로부터 구매한 제품의 자재 또는 제조상 결함으로 인한 불량건만을 대상으로 하며, 제품 결함 또는 하자에 대한 수리 또는 교환으로 제한됩니다. 당사의 기기는 상업용, 상거래용 및 전문적 용도의 목적으로 제작되지 않았습니다. 상업적인 용도, 상거래 및 산업적인 목적의 용도로 기기를 사용했을 경우나 보증 기간 동안 비슷한 조건에 노출되었을 경우 보증 계약이 성립되지 않습니다.
 - 다음 사항은 당사의 품질 보증 조건에 포함되지 않습니다.
 - 조립 지침을 따르지 않았거나 잘못된 조립으로 하여 기기가 고장 또는 손상된 경우, 작동 지침을 따르지 않은 경우 (예: 주 전원 연결이 잘못된 경우) 또는 유지 보수 및 취급 설명서, 안전 지침을 따르지 않은 경우, 장비의 잘못된 보관으로 외부에 노출되거나 유지 보수가 올바르게 이행되지 않은 경우
 - 기기의 과부하 또는 잘못된 사용 (예: 기기 또는 사용/ 승인되지 않은 공구 또는 액세서리 과부하), 기기에 이물질 유입 (예: 모래, 돌, 흙, 먼지, 배송 중 손상)으로 인한 기기 손상, 외부 환경에 의한 기기 손상 (예: 제품의 낙하)
 - 일반적인 마모 또는 정상적 장비 사용으로 인한 부품, 소모품의 마모
 - 품질 보증 청구는 기기 구매일로부터 12개월 동안 유효합니다. 보증인 청구는 제품의 하자, 또는 결함이 발견된 후 2주 이내에 보증 기간이 종료되기 전에 제출/처리되어야 합니다. 보증 기간 종료 후에는 품질 보증 청구가 불가능합니다. 기기의 수리 또는 부품 교체 처리가 될 경우에도 보증 기간은 유효기간 내에 본 기기에 계속적으로 적용됩니다. 이 경우, 기기의 수리 또는 부품의 교체로 하여 보증 기간에 영향을 미치지 않으며 그대로 유지됩니다. 또한 현장에서 실시간 서비스를 받게 되는 경우에도 동일하게 적용됩니다.
 - 보증 처리 청구 신청의 경우, 하자 또는 결함이 있는 기기가 구입처에 등록되어 있어야 하며, 제품에 대한 구매 영수증 또는 구매에 대한 증빙 서류가 필요합니다. 구매 증빙 서류가 없거나 제품 표기가 없는 기기는 제품 자체의 확인 여부가 불분명하기 때문에 보증 대상에서 제외됩니다. 제품의 결함이 당사의 보증 범위 내에 해당되는 경우, 해당 기기는 즉시 수리되어 배송되거나 새 제품으로 교환 처리 됩니다. 또한, 보증에서 포함되지 않는 경우의 제품 결함 또는 하자에 대해서도 당사의 서비스 센터를 통해 유선 상으로 A/S 받으실 수 있습니다. 본 서비스 이용의 경우 당사 서비스 센터로 연락하십시오. 본 사용설명서/ 취급 시 유의사항에 명시된 일반 부품 및 소모품, 분실된 부품에 대해서 보증서의 상세 설명을 참조하시기 바랍니다. 소모품의 경우, 해당 결함 및 하자 사항에 대한 내용을 명시된 이메일 주소로 구매일 기준으로 해당 기한 내에 접수된 경우에 한해 보장 처리 및 보상이 가능합니다.
 - 일반 소모품의 경우: 구매일로부터 24시간 이내
 - 미 배송 부품: 구매일로부터 제 5 영업일 이내
 - 부품의 마모: 구매일로부터 6개월 이내
- * 반드시 구매 일자 및 청구서가 함께 동봉되어야 합니다.

#A/S 및 고객상담: 031-836-6303 / 판매자 (수입처) 이조무역 / 경기도 양주시 백석읍 부흥로 1114



A series of 20 horizontal lines for writing, starting from the line where the pencil is positioned and extending down the page.



A series of horizontal lines for writing, starting from the second line of the ruled page and continuing down to the bottom of the page.





EH 06/2022 (01)

