



User Manual

FERREX[®] **ELECTRIC SCARIFIER AND LAWN AERATOR** **F-EVL 1536-1 UK**

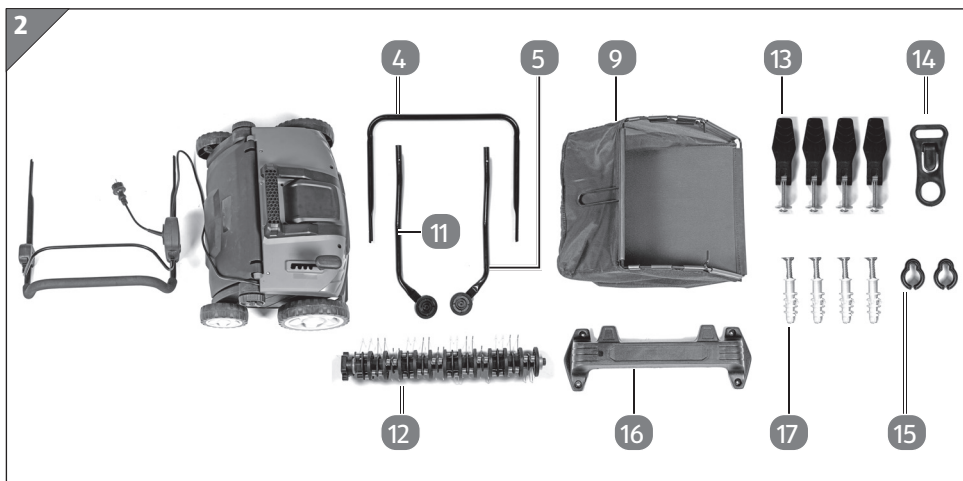


Original instructions

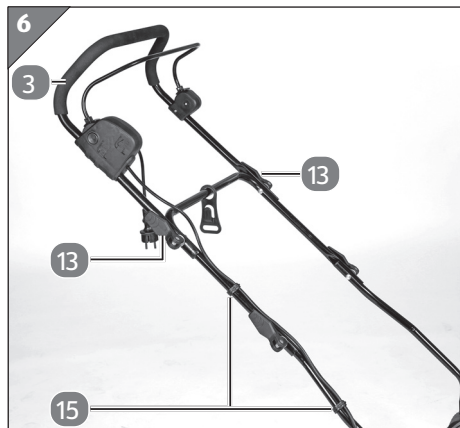
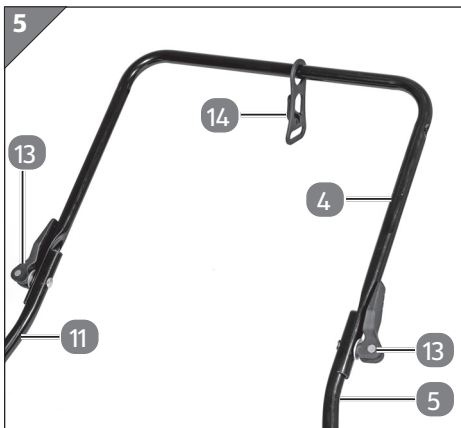
Contents

Package contents	3
General information	8
Reading and storing the user manual	8
Explanation of symbols	8
Safety	10
Intended use	10
Residual hazards.....	10
Safety information.....	10
Using for the first time	16
Checking the scarifier and items supplied	16
Assembling the scarifier	17
Operation	18
Cleaning and maintenance	23
Cleaning the scarifier	24
Maintenance.....	24
Replacing the power cable	25
Inspecting the scarifier	25
Storage	26
Wall mounting	27
Spare parts and accessories	27
Technical data	28
Noise/vibration information	28
Disposal	30
Disposing of the packaging	30
Disposing of the scarifier	30
Troubleshooting guide	31
Declaration of conformity	34

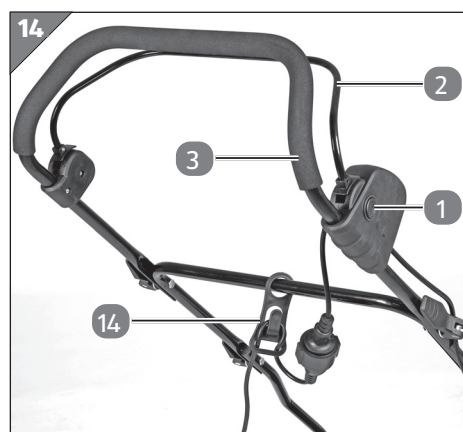
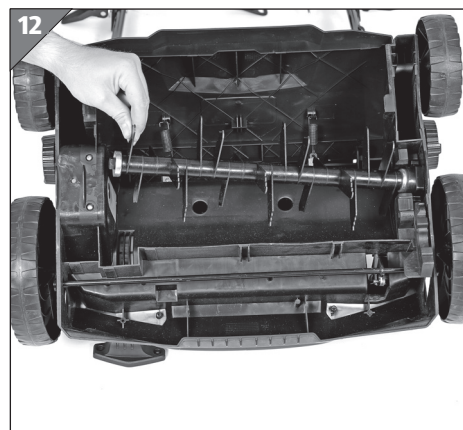
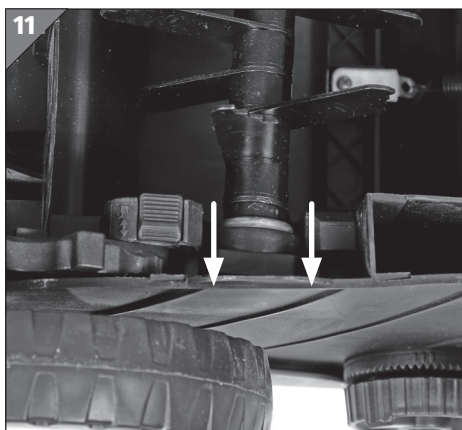
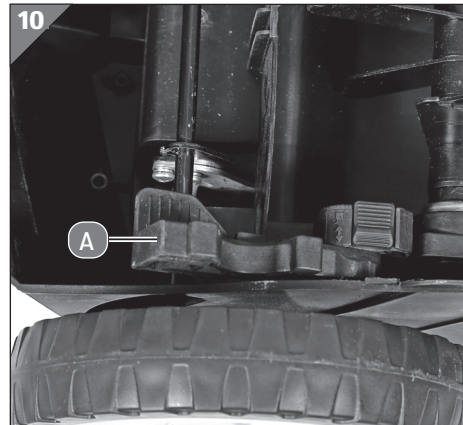
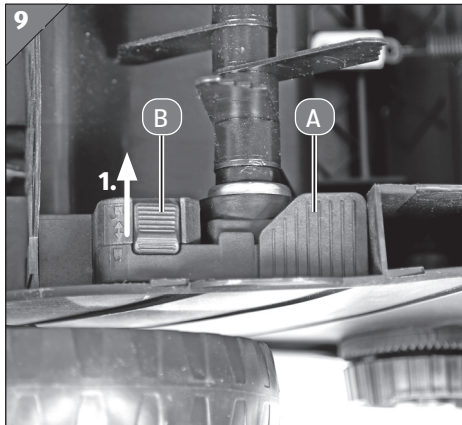
Package contents



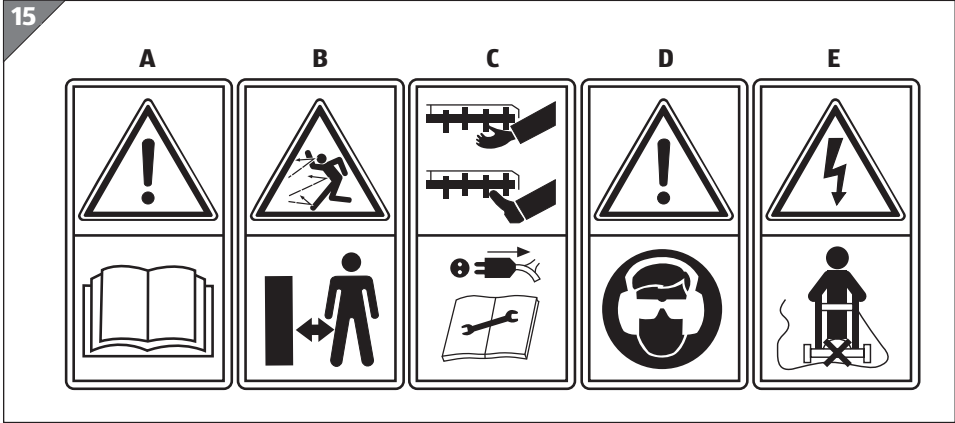
Package contents



4



Package contents



Components

- 1 Safety lock-off
- 2 On/ Off control bar
- 3 Upper push bar
- 4 Lower push bar
- 5 Left push bar holder
- 6 Carry handle
- 7 Height adjuster
- 8 Push bar fastener
- 9 Catch basket
- 10 Ejector flap
- 11 Right push bar holder
- 12 Aerator roller
- 13 Quick release lock
- 14 Cable strain-relief clip
- 15 Cable fastening clip
- 16 Wall bracket
- 17 Screws for wall bracket

General information

Reading and storing the user manual



These operating instructions belong to this electric scarifier and lawn aerator (for easier understanding, the product will be referred to below only as scarifier). They contain information of importance for your safety, for the use of the product and for its care. Read through the operating instructions carefully before you start using the scarifier. Take special care to observe the safety information and warnings. Failure to follow the information in these operating instructions could lead to serious injuries or to damage to the scarifier.

Observe all applicable local and national regulations relating to the use of this scarifier. Keep these operating instructions in a safe place for later reference. If you give the scarifier to any other person to use, it is essential that you pass on these operating instructions as well.

Explanation of symbols

The following symbols and signal words are used in these operating instructions, on the table saw or on the packaging.



WARNING!

This indicates a dangerous situation which, if not avoided, could result in death or serious injuries.



CAUTION!

This indicates a dangerous situation which, if not avoided, could result in minor or moderate injuries.

NOTICE!

Warns of possible damage to property.



This symbol draws attention to additional information about assembly or use.



Declaration of conformity (see the section “Declaration of conformity”): Products bearing this symbol comply with all applicable Community legislation of the European Economic Area.



Read the operating instructions.



Wear ear protection.



Wear safety goggles.



Wear a breathing mask.



Wear safety gloves.

Safety

Intended use

The scarifier is designed solely for scarifying purposes. This scarifier is intended only for private use and is not suitable for the commercial sector. Use the scarifier only in the way described in these operating instructions. Any other use is deemed to be a case of mis-use and may result in material damage or even personal injury. The scarifier is not a toy.

The manufacturer or dealer accepts no liability for damages and injuries of any kind which result from improper or incorrect use.

Residual hazards

Even when the scarifier is used as intended, it is impossible to completely rule out non-obvious residual risks.

The following hazards may arise due to the nature of the scarifier:

- Damage to hearing if no suitable ear protection is used.
- Health damage caused by hand-arm vibrations if the equipment is used over a longer period or is not properly guided and maintained.

Safety information



WARNING!

Read all the safety information and instructions. Failure to adhere to the safety information and instructions set out below may result in electric shock, fire and/or serious injury.



WARNING!

Risk of short-circuiting!

If liquids get inside the scarifier they could cause short-circuiting.

If you then come into contact with the scarifier you might suffer an electric shock. A short-circuit could also damage the scarifier.

- If it begins to rain while scarifying is in progress, switch off the scarifier immediately and pull out the plug.

**WARNING!****Risk of an electric shock!**

A faulty electrical installation or too high a mains voltage could cause an electric shock.

- Before you connect the scarifier to the power supply make sure that the supply voltage at the power socket complies with the specifications on the rating plate.
- Use an extension cable of type H05RN-F or H05VVF, or ideally with a cable cross-section of at least $2 \times 1.5 \text{ mm}^2$. The extension cable is not allowed to be longer than 20 m.
- Do not use the scarifier if it has visible signs of damage or if the power connection is defective.
- Do not use the scarifier with a defective extension cable.
- Do not change the motor settings. Do not overload the motor.
- Do not immerse the scarifier, the extension cable or the power plug in water or other liquids.
- Never grip the power plug with damp hands.
- Never pull the power plug out of the socket by pulling on the extension cable - always grip the power plug.
- Never use the power cable as a carry-handle. Always carry the scarifier by its carry-handle.
- Keep the scarifier power cable and the extension cable away from naked flames, hot surfaces, oil and sharp edges.
- Position the extension cable so that it does not become a tripping hazard.

- Do not kink the power cable or the extension cable and do not pull them over sharp edges.
- Do not drive the scarifier over the extension cable.
- Make sure that there are no knots in the extension cable.
- Make sure that no objects protrude into the scarifier housing.
- Switch off the scarifier and disconnect it from the power supply when you no longer want to use it, when you would like to clean or service it, or when a malfunction arises.



WARNING!

Beware of sharp blades!

The scarifier uses a fast-rotating roller with sharp blades. If you handle it without due care you could injure yourself or others with it. Small objects (stones, sticks, wire, bones and the like) can be catapulted by the rotating roller into the surroundings. As the result you could injure yourself or other persons severely.

- As the operator of the equipment you are responsible for accidents or risks involving other persons or their property.
- Make sure that all nuts, bolts and screws are tightened securely and that the scarifier is in a safe condition.
- Never lift or carry the scarifier with the motor running.
- The roller rotates for a short time after the scarifier is switched off. Wait for the roller to stop rotating before you lift, carry, tilt or transport the scarifier.
- Switch off the scarifier and pull out the extension cable from the power socket before you lift, carry or roll it in a tilted position to another location.
- Never move your hands or feet toward or under any rotating parts. Keep clear of the ejector opening at all times.
- Make sure that your feet are far enough away from the roller.

- Do not start the motor if you are standing in front of the ejector chute.
- Never use the scarifier with damaged or missing safety devices, e.g. without a deflector plate and/or catch bag.
- Switch off the scarifier and pull out the extension cable from the power socket if the scarifier begins to react with exceptionally strong vibrations. Wait until the roller stops moving. Check the scarifier for damage. If you find no signs of damage, have the scarifier checked by trained personnel.
- Remove all tools, adjusting devices and similar from the scarifier before you switch on the scarifier.
- Avoid starting the scarifier unintentionally. Make sure that the Start button is in the OFF position before you pull out the extension cable from the power socket.
- Never use or service the scarifier if you are tired or under the influence of medication, alcohol or other substances that cloud your senses.

**WARNING!****Risk of explosion!**

Sparks could form if the scarifier roller or catapulted objects strike metal. These sparks could ignite combustible liquids, gases or dust.

- Do not use the scarifier in areas where there is a risk of explosion or where there are inflammable liquids, gases or dust.



WARNING!

Hazards for children and persons with limited physical, sensory or mental capacities (e.g. partly handicapped persons, elderly persons with limited physical and mental capacities) or those lacking experience and knowledge (e.g. older children).

- This scarifier is not designed to be used by people (including children) with limited physical, sensory or mental capacities or those with no experience and/or knowledge unless they are supervised by a person who is responsible for their safety or they have received instructions from such a person in to how to use the equipment safely. Children must always be supervised in order to ensure that they do not play with the equipment.
- Keep children younger than eight years of age away from the scarifier and the power cable.
- Do not leave the scarifier unattended while it is in use.
- Do not allow children to play with the plastic packaging. They could become caught up in it and suffocate.

NOTICE!

Risk of damage!

Improper handling of the scarifier could cause damage to it.

- Do not let the power cable touch hot parts.
- Never expose the scarifier to high temperatures (heaters etc.) or to the weather (rain etc.).
- Never pour liquid into the scarifier.
- Never clean the scarifier by immersing it in water or using a steam cleaner. The scarifier could be damaged as the result.
- Stop using the scarifier if its plastic components develop cracks or fractures or if they become deformed. Replace damaged components only with matching original spare parts.

- Switch off the scarifier if you cross any surfaces other than grass and while transporting the scarifier from and to the area you wish to use it on.
- Check the catch basket regularly for wear or damaged parts.

Explanation of the warning signs on the equipment (see Fig. 15)

A = Important! Read the operating instructions before using for the first time.

B = Keep other persons (and animals) away from the danger zone.

C = Caution, sharp blades. The blades continue to rotate after the equipment is switched off – pull the plug out of the power socket before carrying out any maintenance or if the cable becomes damaged.

D = Wear hearing and eye protection.

E = Keep the power cable away from the blades.

Keep this safety information in a safe place!

Using for the first time

Checking the scarifier and items supplied

NOTICE!

Risk of damage!

If you open the packaging without care using a sharp knife or other pointed objects, this could quickly cause damage to the scarifier.

- Open the packaging and take out the equipment with care.
- Remove the packaging material and any packaging and/or transportation braces (if present).
- Check to see if all the items are supplied.
- Inspect the equipment and accessories for transport damage.
- If possible, keep the packaging until the end of the guarantee period.
- Check that the equipment after unpacking to ensure that it is complete and check it for damage which may have occurred in transit – to prevent hazards. If you have any doubts, do not use it but contact our customer service instead. You will find the service address in our warranty terms on the warranty card.



WARNING!

Risk of injury!

The equipment and packaging material are not toys. Do not let children play with plastic bags, plastic sheets and small parts. There is a risk of choking and suffocating!

Assembling the scarifier

Fitting the push bar holders (Fig. 3 and 4)

1. Undo the push bar fastener (8) by turning.
2. Push the left push bar holder (4) into position and fasten it again with the push bar fastener (8).
3. Proceed in the same order with the right push bar holder (11).
4. Make sure that the teeth of the two components intermesh.

Fitting the lower push bar (Fig. 5)

1. Before fitting, make sure that the cable strain-relief clip (14) is pushed over the tube.
2. Now fasten the lower push bar (4) to the push bar holders (5 and 11) with the help of the quick release locks (13) as shown in **Fig. 5**.

Fitting the upper push bar (Fig. 6)

1. Now fasten the upper push bar (3) to the lower push bar (4) with the help of the quick release locks (13) as shown in **Fig. 6**.
2. You can use the two cable clips (15) to fasten the cable to the push bar.

Fitting the catch basket (Fig. 7)

To fit the catch basket (9) to the scarifier you must lift the ejector flap (10) with one hand while you hook the catch basket onto the scarifier with the other.

Operation



WARNING!

Risk of injury!

The scarifier uses a fast-rotating roller with sharp blades. If you handle it without due care you could injure yourself or others with it. Small objects (stones, sticks, wire, bones and the like) can be catapulted into the surroundings. As the result you could injure yourself or other persons severely. Furthermore there is electricity running through the scarifier. Incorrect handling could result in a short-circuit, an explosion or an electric shock.

- Do not use the scarifier in the rain or during a thunder storm.
- Check the ground where you would like to use the scarifier. Remove stones, sticks, wire, bones and other foreign bodies that could be caught up and catapulted into the surroundings.
- Never use the scarifier while other persons, particularly children, or animals are nearby.
- Each time before use, always visually examine the tools and bolts for signs of wear or damage. Worn or damaged tools must always be replaced as complete units in order to avoid imbalance.
- Use the scarifier only in broad daylight or with good artificial lighting.
- To prevent injury, wear protective gloves when changing the roller.
- Move the scarifier at walking pace only.
- Hold the handlebars firmly with both hands when driving the scarifier.
- Avoid using the scarifier on damp grass or take special care to ensure that you do not slip.
- Always maintain good footing, especially on slopes.

- Always work across slopes, never straight up or down.
- Be particularly careful when you change direction on a slope.
- Do not work on overly steep slopes. Switch off the scarifier and pull out the power plug. Wait for the roller to come to a standstill before you clear away any blockages or remove jammed items from the ejector opening.
- Switch off the scarifier and pull out the power plug when you interrupt your work.
- Switch off the scarifier and wait until the roller has come to a standstill before you remove or fit the catch basket.
- Always wear sturdy footwear and long trousers when working with the scarifier.

NOTICE!

In the course of time, lawns develop a matted layer of stems, shoots or moss. To loosen up this layer you should scarify the lawn twice a year. The lawn should be mowed before you start. Spring and late summer are good times for scarifying.

The ground is then no longer frozen and afterwards it will have enough time to regenerate for winter. In the case of severely matted areas of grass you should scarify lengthways as well as crossways. Take care that the sward does not dry out.

Adjusting the scarifying depth (Fig. 8)

NOTICE!

Risk of material damage!

- If the scarifying depth is set wrongly, this could damage the roller or the surface underneath.
- Each time before you use the scarifier, check the depth setting in order to avoid damaging the surface underneath.

You can set the following scarifying depths:

0 = drive/transport position



1 = scarifying depth 0 mm

2 = scarifying depth 3 mm

3 = scarifying depth 8 mm

4 = scarifying depth 12 mm

To set the scarifying depth, proceed in the following order:

1. Press the height adjustment handle () toward the motor.
2. Pull or push the height adjustment handle () to the level required.
3. Check finally that the handle engages correctly in the required position.

Replacing the roller (Fig. 9 - 12)




WARNING!

Beware of sharp blades!

The scarifier uses a fast-rotating roller with sharp blades. If you handle it without due care you could injure yourself or others with it. Small objects (stones, sticks, wire, bones and the like) can be catapulted by the rotating roller into the surroundings. As the result you could injure yourself or other persons severely.

- Before you use the scarifier, check that you have assembled it correctly.
- To prevent injury, wear protective gloves when you fit the roller.

This product comes complete with 2 rollers:

- The scarifier roller (pre-fitted) is suitable for lawn maintenance and aeration.
- The aerator roller () comes separate and is suitable for gathering leaves, moss and weeds from the lawn.

To change rollers, proceed in the following order (Fig. 9 and 13)

1. Pull out the power plug and be sure to wear protective gloves!
2. Turn the scarifier upside down.
3. Release the holder **(A)** by pulling the release button **(B)**.
4. Swing up the holder **(A)** so that the scarifier roller or aerator roller is exposed.
5. Press the scarifier roller or aerator roller out of the holder as shown in **Fig. 11**.
6. You can now remove the scarifier roller or aerator roller from the scarifier.

7. To insert the required scarifier roller or aerator roller, proceed in reverse order.
8. Make sure that the drive hex engages correctly when fitting (**Fig. 13**).

Switching the scarifier on and off

1. Connect the scarifier to the power supply (**Fig. 14**), passing the cable through the cable strain-relief clip (**14**).
2. Now press and hold the safety lock-off (**1**) before pulling the On/Off control bar (**2**) against the upper push bar (**3**).
3. You can then release the safety lock-off.
4. To switch off, simply let go of the On/ Off control bar (**2**) and the scarifier will stop.

Cleaning and maintenance



WARNING!

Risk of injury!

There is a risk of serious injuries if the scarifier is handled incorrectly.

- Switch off the scarifier and pull the power plug out of the power socket before you start any cleaning work.
- Wear suitable protective gloves when you work with the scarifier.

NOTICE!

Risk of short-circuiting!

Water or other liquids inside the housing could cause a short-circuit.

- The power plug must always be pulled out of the socket outlet before starting any cleaning or maintenance work.
- Never immerse the scarifier in water or other liquids.
- Do not use a high-pressure cleaner to clean the scarifier.
- Make sure that no water or other liquids get into the housing.

NOTICE!

Risk of damage!

Incorrect or irregular cleaning and maintenance could result in damage to the scarifier.

- Keep all safety devices, air vents and the motor housing free of dirt and dust as far as possible.
- Clean the scarifier each time after using it.
- To avoid damaging its surfaces do not use aggressive cleaning products, brushes with metal or nylon bristles, and sharp or metallic cleaning implements such as knives, hard spatulas or similar.

Cleaning the scarifier

1. Disconnect the scarifier from the power cable before you begin with the cleaning.
2. Clean the scarifier with a damp cloth until it is free of sap, water and dirt.
3. Then wait for all parts to become fully dry.

Maintenance



Risk of injury!

If the scarifier is handled incorrectly there will be a risk of serious injuries.

- Switch off the scarifier and pull its power plug out of the power socket before you start any cleaning work.
- Wear suitable protective gloves when you work with the scarifier.
- Inside the scarifier are no parts that can be repaired by the user. Never try to repair the scarifier yourself. Always contact a qualified expert.

NOTICE!

Risk of damage

If water gets into the housing it could cause short-circuiting.

- Never immerse the scarifier in water.
- Ensure that no water gets into the housing.

Correct and regular care is important not only for the scarifier's safe use but also for helping to extend its working life.

Replacing the power cable



WARNING!

Risk of electric shock!

If the power cable is damaged or not fitted properly, there will be a risk of an electric shock.

- If the scarifier power cable becomes damaged, it must be replaced by the manufacturer, by one of its customer service centers or by a similarly trained person in order to prevent hazards.

Inspecting the scarifier

Inspect the scarifier regularly to check its condition. Check whether e.g.:

- The rollers are damaged.
- The catch basket is damaged.

If you find any damage, you must arrange for it to be rectified by a service center in order to prevent hazards.

Storage

NOTICE!

Risk of damage!

The scarifier could be damaged by faulty or improper storage.

Wrong storage can cause damage to the scarifier.

It is also possible for children to be injured.

- Take care to store the scarifier in a place that cannot be accessed by children, unauthorized persons and animals.
- Disconnect the scarifier from the power supply when you are not going to use it for some time or want to store it away.
- Clean the scarifier as described in the chapter “Cleaning” and set it to the top height adjustment position before you push it to the storage area.



WARNING!

Store the scarifier only in a dry location which is not accessible to unauthorized persons.

Store the equipment and accessories out of children’s reach in a dark and dry place at above freezing temperature. The ideal storage temperature is between 5 and 30 °C. Store the equipment in its original packaging.

Wall mounting

The wall bracket (16) can be used to mount the scarifier on the wall for storage.

1. Choose a place suitable for wall-mounting. It should be dry and well ventilated.
2. Use the supplied wall bracket screws (17) to mount the wall bracket (16) on a sturdy wall.
3. Fold the scarifier and hang it from the wall bracket (16).

Spare parts and accessories

You can order suitable spare parts and accessories for your scarifier via the Internet at: www.garantie.aldi-sued.de

You will find the latest prices and information there. Please provide the following information when ordering spare parts:

- Type: F-EVL 1536-1
- Einhell article number: 34.206.78
- ID No. of the scarifier 21010
- Spare part no. of the required spare part

Replacement cutting unit, Art. No.: 34.206.78.01.001

Replacement aerating unit, Art. No.: 34.206.78.01.002

Technical data

Model:	F-EVL 1536-1 UK
Article number:	91481
Supply voltage:	230-240 V ~ 50 Hz
Power:	1500 W
Protection class:	II
Weight:	13.15 kg
Working width:	36 cm
Motor speed:	3500 min ⁻¹
Working depth in mm:	-12 / -8 / -3 / 0 / +5,
Catch basket capacity:	45 l

Noise/vibration information



WARNING!

Health hazard!

Working without ear protection or protective clothing may be harmful to health.

- Wear ear protection and suitable protective clothing when using the machine.

Noise and vibration values were determined in accordance with EN 60335-1 and 50636-2-92.

Sound pressure level L_{pA} :85.6 dB(A)

Uncertainty K_{pA} : 3.0 dB

Sound power level L_{WA} : 102.8 dB(A)

Uncertainty K: 1.5 dB

Vibration emission value a_{hw} :7.1 m/s²

Uncertainty K:1.5 m/s²

Subject to technical changes.

Information about sounds and vibrations

The values stated above are noise emission values and are therefore not necessarily reliable workplace values. The interrelationship between emission and immission levels cannot be taken to reliably determine whether additional precautions are needed or not. Factors with a potential influence on the immission level at the specific workplace include the specifications of the work area and surrounding area, the duration of exposure, other sources of noise, etc. You should also take account of possible deviations in national regulations with respect to permissible workplace values. With the information referred to above the user should at least be able to make a better assessment of the dangers and risks involved.

Disposal

Disposing of the packaging



Separate the packaging materials by type before disposing of them. Dispose of cardboard in your waste paper container and take plastic film or sheets to your recycling center.

Disposing of the scarifier

Waste equipment may not be disposed of with normal household refuse!

This symbol draws attention to the fact that under the Directive on Waste Electrical and Electronic Equipment (2012/19/EU) and national laws this product is not allowed to be disposed of with normal household refuse.



Old electrical or electronic appliances should not be disposed of in the household waste!

Should the product no longer be capable of being used at some point in time, **dispose of it in accordance with the regulations in force in your city or county.** This ensures that old appliances are recycled in a professional manner and also rules out negative consequences for the environment. For this reason, electrical equipment is marked with the symbol shown here. You can obtain information about collection points from your local authority, waste management service or an authorised agency for the disposal of waste electrical and electronic equipment.

The reprinting or reproduction by any other means, in whole or in part, of documentation and papers accompanying the products is strictly subject to the express consent of Einhell Germany AG.



Subject to technical changes

Troubleshooting guide

Problem	Possible cause	Solution
The motor fails to start.	<ul style="list-style-type: none"> - The power socket is defective. - The power cable is defective. - The switch/plug block is defective. - The terminals on the motor are disconnected. - The scarifier housing is clogged. 	<ul style="list-style-type: none"> - Check the cable and fuse. - Check the power cable. - Phone the customer service center. - Phone the customer service center. - Change the scarifier depth and clean the housing.
The motor has glitches.	<ul style="list-style-type: none"> - The power cable/connection cable is loose. 	<ul style="list-style-type: none"> - Connect the cable firmly in place.
The motor power drops.	<ul style="list-style-type: none"> - The ground is too hard. - The scarifier housing is clogged - The roller is worn. 	<ul style="list-style-type: none"> - Correct the depth. - Clean the housing. - Replace the roller.
The scarifying results are untidy.	<ul style="list-style-type: none"> - The roller is worn. - The scarifier depth is wrong. - The lawn is too high. 	<ul style="list-style-type: none"> - Replace the roller. - Correct the depth. - Mow the lawn.

General information

Declaration of conformity

Einhell Germany AG · Wiesenweg 22 · D-94405 Landau/Isar		EU
<p>D erklärt folgende Konformität gemäß EU-Richtlinie und Normen für Artikel</p> <p>GB explains the following conformity according to EU directives and norms for the following product</p> <p>F déclare la conformité suivante selon la directive CE et les normes concernant l'article</p> <p>I dichiara la seguente conformità secondo la direttiva UE e le norme per l'articolo</p> <p>NL verklaart de volgende overeenstemming conform EU richtlijn en normen voor het product</p> <p>E declara la siguiente conformidad a tenor de la directiva y normas de la UE para el artículo</p> <p>P declara a seguinte conformidade, de acordo com as diretiva CE e normas para o artigo</p> <p>DK atterer følgende overensstemmelse i medfør af EU-direktiv samt standarder for artikel</p> <p>S förklarar följande överensstämmelse enl. EU-direktiv och standarder för artikeln</p> <p>FIN vakuuttaa, että tuote täyttää EU-direktiivin ja standardien vaatimukset</p> <p>EE tõendab toote vastavust EL direktiivile ja standarditele</p> <p>CZ vydává následující prohlášení o shodě podle směrnice EU a norem pro výrobek</p> <p>SLO potrjuje sledečo skladnost s smernico EU in standardi za izdelek</p> <p>SK vydáva nasledujúce prehlásenie o zhode podľa smernice EÚ a noriem pre výrobok</p> <p>H a cikkhez az EU-irányvonal és Normák szerint a következő konformitást jelenti ki</p>	<p>PL deklaruje zgodność wymienionego poniżej artykułu z następującymi normami na podstawie dyrektywy WE.</p> <p>BG декларира съответното съответствие съгласно Директива на ЕС и норми за артикул</p> <p>LV paskaidro šādu atbilstību ES direktīvai un standartiem</p> <p>LT apibūdina šį atitikimą EU reikalavimams ir prekės normoms</p> <p>RO declară următoarea conformitate conform directivei UE și normelor pentru articolul</p> <p>GR δηλώνει την ακόλουθη συμμόρφωση σύμφωνα με την Οδηγία ΕΚ και τα πρότυπα για το προϊόν</p> <p>HR potvrđuje sljedeću usklađenost prema smjernicama EU i normama za artikl</p> <p>BIH potvrđuje sljedeću usklađenost prema smjernicama EU i normama za artikl</p> <p>RS potvrđuje sledeću usklađenost prema smernicama EZ i normama za artikal</p> <p>RUS следующим удостоверяется, что следующие продукты соответствуют директивам и нормам ЕС</p> <p>UKR проголошує про зазначену нижче відповідність виробу директивам та стандартам ЄС на виріб</p> <p>MK ja izjavuva slednata soobraznost согласно EУ-директивата и нормите за артикли</p> <p>TR Ürünü ile ilgili AB direktifleri ve normları gereğince aşağıda açıklanan uygunluğu belirtir</p> <p>N erklærer følgende samsvar i henhold til EU-direktivet og standarder for artikkel</p> <p>IS Lýsir uppfyllingu EУ-reglna og annarra staðla vöru</p>	
Electric Scarifier and Lawn Aerator F-EVL 1536-1 UK (FERREX)		
<input type="checkbox"/> 2014/29/EU <input type="checkbox"/> 2005/32/EC_2009/125/EC <input type="checkbox"/> (EU)2015/1188 <input type="checkbox"/> 2014/35/EU <input type="checkbox"/> 2006/28/EC <input checked="" type="checkbox"/> 2014/30/EU <input type="checkbox"/> 2014/32/EU <input type="checkbox"/> 2014/53/EU <input type="checkbox"/> 2014/68/EU <input type="checkbox"/> (EU)2016/426 Notified Body: <input type="checkbox"/> (EU)2016/425 <input checked="" type="checkbox"/> 2011/65/EU_(EU)2015/863	<input checked="" type="checkbox"/> 2006/42/EC <input type="checkbox"/> Annex IV Notified Body: Reg. No.: <input checked="" type="checkbox"/> 2000/14/EC_2005/88/EC <input checked="" type="checkbox"/> Annex V <input type="checkbox"/> Annex VI Noise: measured L _{WA} = 102,8 dB (A); guaranteed L _{WA} = 104 dB (A) P = 1,5 KW; L/O = 36 cm Notified Body: <input type="checkbox"/> 2012/46/EU_(EU)2016/1628 Emission No.:	
Standard references: EN 60335-1; EN 50636-2-92; EN 55014-1; EN 55014-2; EN 61000-3-2; EN 61000-3-3		
Landau/Isar, den 22.09.2020	 Andreas Weichselgartner/General-Manager	 Gao/Product-Management
First CE: 20 Art.-No.: 34.206.78 I.-No.: 21010 Subject to change without notice	Archive-File/Record: NAPR024462 Documents registrar: Daniel Laubmeier Wiesenweg 22, D-94405 Landau/Isar	





Great care has gone into the manufacture of this product and it should therefore provide you with years of good service when used properly. In the event of product failure within its intended use over the course of the first 3 years after date of purchase, we will remedy the problem as quickly as possible once it has been brought to our attention. In the unlikely event of such an occurrence, or if you require any information about the product, please contact us via our helpline support services, details of which are to be found both in this manual and on the product itself.



PRODUCED IN CHINA FOR:

ALDI STORES LTD. PO BOX 26, ATHERSTONE
WARWICKSHIRE, CV9 2SH.

ALDI STORES (IRELAND) LTD.
PO BOX 726, NAAS, CO. KILDARE.
www.aldi.com

AFTER SALES SUPPORT

803586



0151 649 1500



01890 946 244



www.einhell.co.uk

MODEL:

F-EVL 1536-1 UK

03/2021

3
YEAR
WARRANTY

EH 09/2020 (01)