



User Manual

Contents

- Package contents** 3
 - Components 6
- General information** 8
 - Reading and storing the user manual 8
 - Explanation of symbols 8
- Safety** 10
 - Intended use 10
 - Residual hazards 11
 - Safety information 11
- Using for the first time** 18
 - Checking the fine paint sprayer and items supplied 18
 - Selecting the material and spraying unit 19
 - Filling in the material 20
 - Attaching/replacing the spraying unit 21
 - Fitting/removing the spraying unit to/from the motor unit 21
- Operation** 22
 - Switching the fine paint sprayer On and Off 22
 - Adjusting the spray pattern 23
 - Controlling the material volume 24
 - Adjusting the spray width 24
 - Changing the nozzle set 25
 - Instructions for use 26
- Care and maintenance** 28
 - Cleaning the spraying unit 28
 - Cleaning the motor unit 30
 - Changing the air filter 30
- Storage** 32
- Spare parts and accessories** 32
- Technical data** 33
- Noise/vibration information** 33
- Disposal** 36
 - Disposing of the packaging 36
 - Disposing of the fine paint sprayer 36
- Troubleshooting guide** 37
- Declaration of conformity** 38



PAINT SPRAY SYSTEM ELECTRIC DS-FSS 500



Original instructions

Great care has gone into the manufacture of this product and it should therefore provide you with years of good service when used properly. In the event of product failure within its intended use over the course of the first 3 years after date of purchase, we will remedy the problem as quickly as possible once it has been brought to our attention. In the unlikely event of such an occurrence, or if you require any information about the product, please contact us via our helpline support services, details of which are to be found both in this manual and on the product itself.



PRODUCED IN CHINA FOR:

ALDI STORES LTD. PO BOX 26, ATHERSTONE
WARWICKSHIRE, CV9 2SH.

ALDI STORES (IRELAND) LTD.
PO BOX 726, NAAS, CO. KILDARE.
www.aldi.com

AFTER SALES SUPPORT 803883

GB 0151 649 1500 IE 01890 946 244

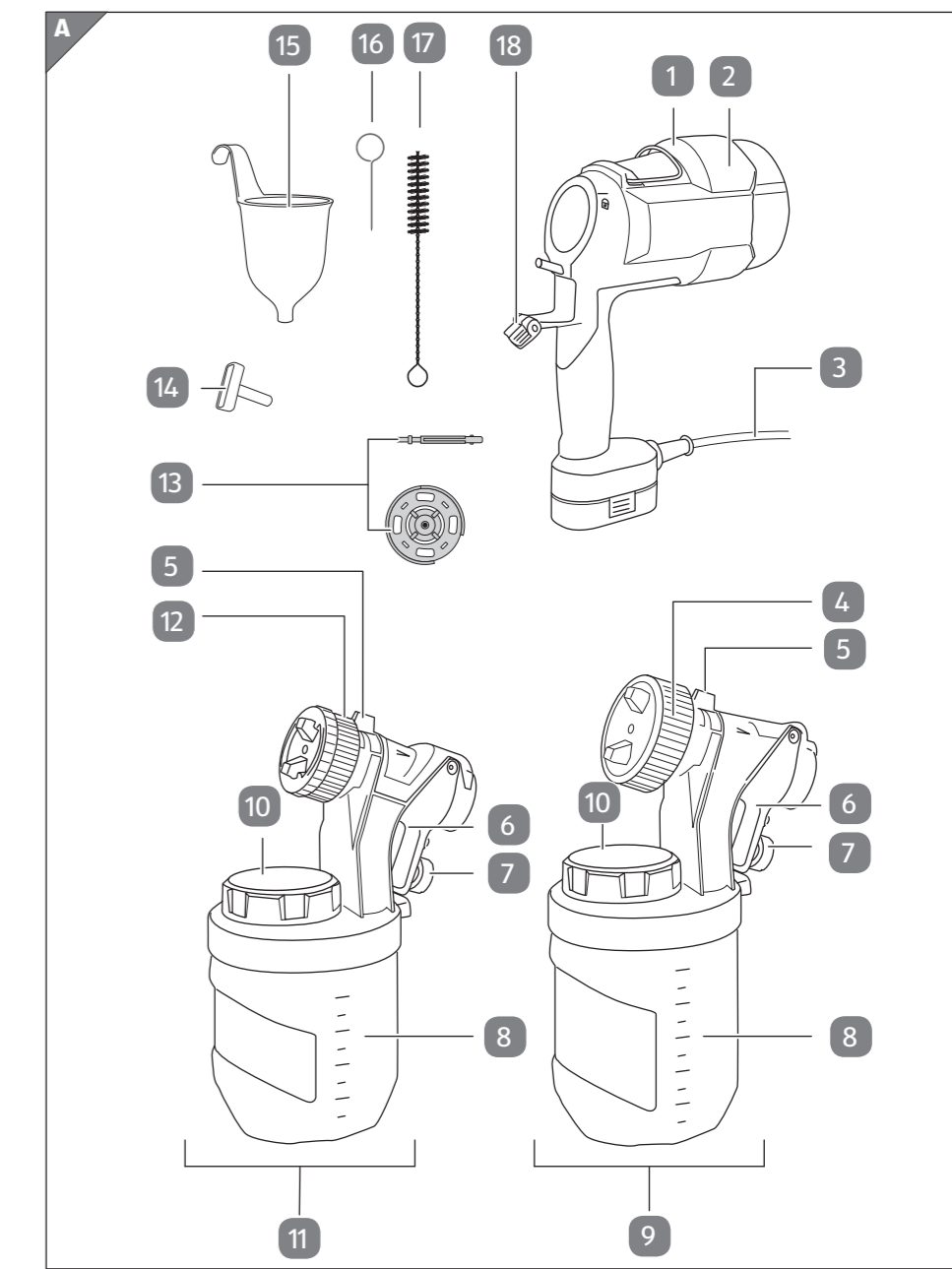
www.einhell.co.uk

MODEL: DS-FSS 500 03/2021



EH 11/2020 (01)

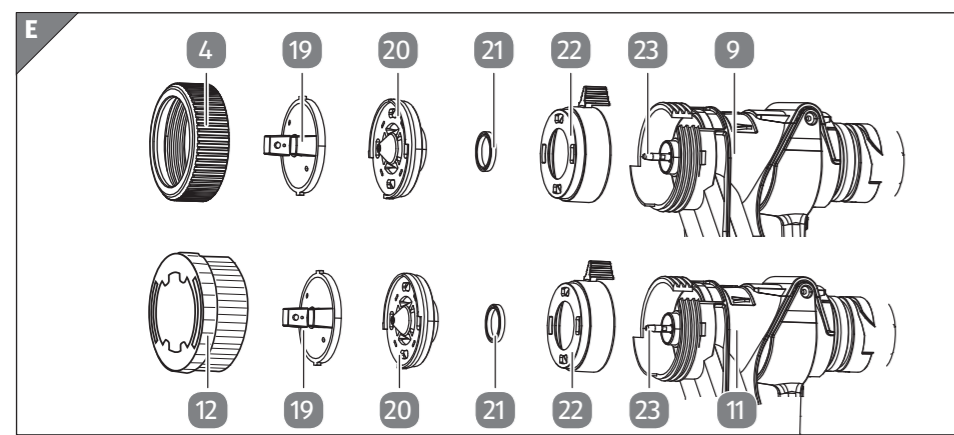
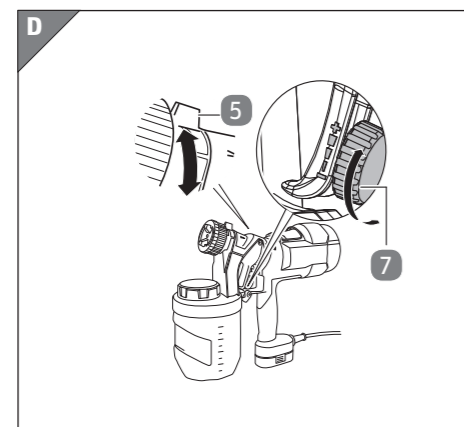
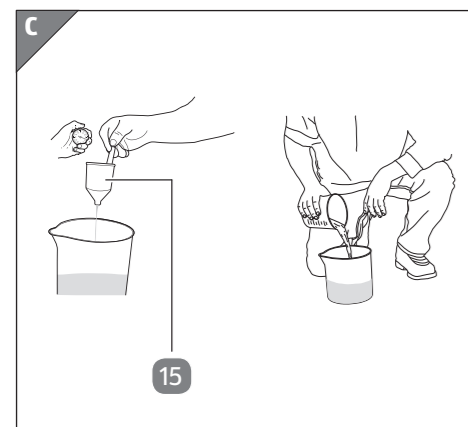
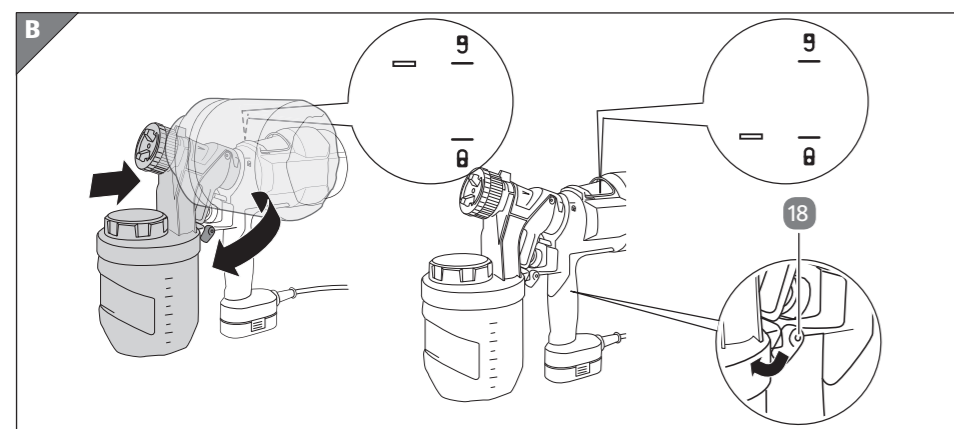
Package contents



Package contents

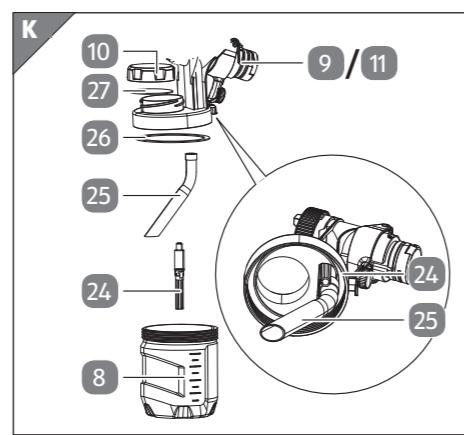
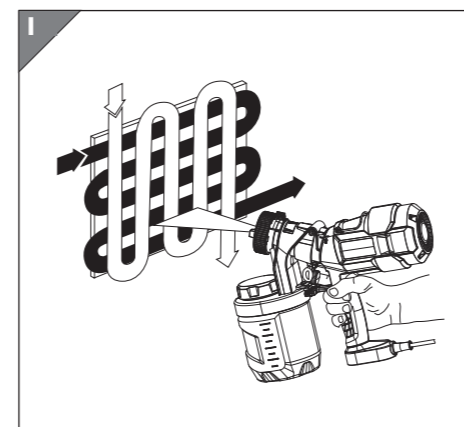
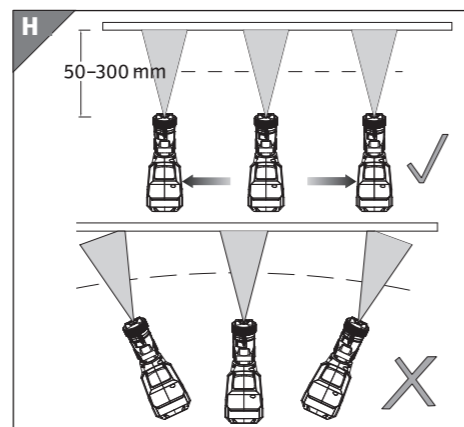
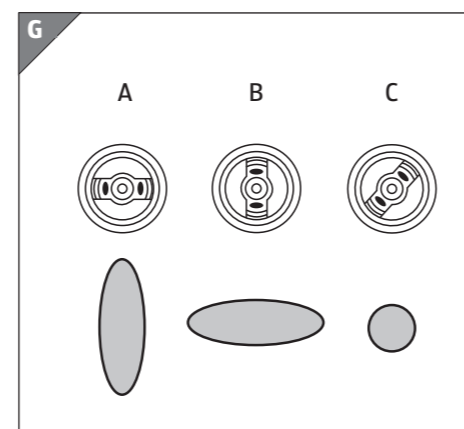
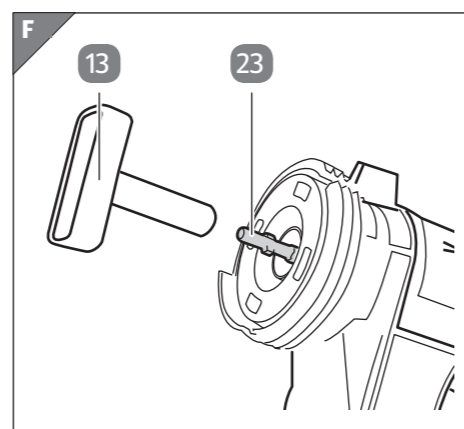
3

Package contents



4

Package contents



5

Package contents

Components

- 1 Suspension fixture
- 2 Motor unit
- 3 Connection cable
- 4 Union nut (spraying unit for indoor wall paints)
- 5 Lever for setting the spray width (1x per spraying unit)
- 6 Trigger (1x per spraying unit)
- 7 Setting screw for controlling the material quantity (1x per spraying unit)
- 8 Paint tub (1x per spraying unit)
- 9 Spraying unit for indoor wall paints
- 10 Lid (1x per paint tub)
- 11 Spraying unit for enamels and varnishes
- 12 Union nut with adjusting ring (spraying unit for enamels and varnishes)
- 13 Nozzle set 3.5 mm (needle and nozzle)
- 14 Needle removal tool
- 15 Container for checking the viscosity
- 16 Cleaning needle
- 17 Cleaning brush
- 18 Safety catch
- 19 Air cap (1x per spraying unit)
- 20 Nozzle (1x per spraying unit)
- 21 Nozzle seal (1x per nozzle)
- 22 Twist cap (1x per spraying unit)
- 23 Needle (1x per spraying unit)
- 24 Venting tube (in several pieces)
- 25 Intake tube

6