

MAINTENANCE cont.

4. GENERAL MAINTENANCE

Wheel dressing

Dressing a wheel is done to renew sharpness or to true up the face of a wheel.

A build up of metals and dirt will become embedded in a wheel as it is used. Use a wheel dressing tool (not supplied) to clean wheels. This will also improve the bench grinder's performance.

Note: New wheels sometimes require dressing to true up their face.

Cleaning and lubrication

Use only mild soap and a moist cloth to clean the tool. Never let any liquid get inside the tool; never immerse any part of the tool into a liquid. Self lubricating bearings are used in the tool and periodic lubrication is not required.

Note: Ozito Industries will not be responsible for any damage or injuries caused by repairing of the bench grinder by an unauthorised person or by mishandling of the tool.

DESCRIPTION OF SYMBOLS

V	Volts	Hz	Hertz
~	Alternating current	W	Watts
/min	Revolutions or reciprocation per minute	n _o	No load speed
⚠	Warning	∅	Diameter

SPARE PARTS

Spare parts can be ordered from the Special Orders Desk at your local Bunnings Warehouse or Homebase store.

For further information, or any parts visit www.ozito-diy.co.uk or contact Ozito Customer Service:

Great Britain: 0151 294 4488

Ireland: 1850 882711

E-mail: enquires@ozito-diy.co.uk

ELECTRICAL SAFETY

⚠ WARNING! When using mains-powered tools, basic safety precautions, including the following, should always be followed to reduce risk of fire, electric shock, personal injury and material damage.

Read and understand the manual prior to operating this tool.

Save these instructions and other documents supplied with this tool for future reference. Before you connect the appliance to the mains supply make sure that the data on the rating plate are identical to the mains data.

If the supply cord is damaged, it must be replaced by a qualified electrician or a power tool repairer in order to avoid a hazard.

If operating a power tool in a damp location is unavoidable use a residual current device (RCD) protected supply. Use of an RCD reduces the risk of electric shock.

Using an Extension Lead

Always use an approved extension lead suitable for the power input of this tool. Before use, inspect the extension lead for signs of damage, wear and ageing. Replace the extension lead if damaged or defective.

When using an extension lead on a reel, always unwind the lead completely. Use of an extension lead not suitable for the power input of the tool or which is damaged or defective may result in a risk of fire and electric shock.

GENERAL POWER TOOL SAFETY WARNINGS

⚠ WARNING! Read all safety warnings and all instructions. Failure to follow the warnings and instructions may result in electric shock, fire and/or serious injury. Save all warnings and instructions for future reference. The term "power tool" in the warnings refers to your mains-operated (corded) power tool or battery-operated (cordless) power tool.

1. Work area safety

- Keep work area clean and well lit. Cluttered or dark areas invite accidents.
- Do not operate power tools in explosive atmospheres, such as in the presence of flammable liquids, gases or dust. Power tools create sparks which may ignite the dust or fumes.
- Keep children and bystanders away while operating a power tool. Distractions can cause you to lose control.

2. Electrical safety

- Power tool plugs must match the outlet. Never modify the plug in any way. Do not use any adapter plugs with earthed (grounded) power tools. Unmodified plugs and matching outlets will reduce risk of electric shock.
- Avoid body contact with earthed or grounded surfaces, such as pipes, radiators, ranges and refrigerators. There is an increased risk of electric shock if your body is earthed or grounded.
- Do not expose power tools to rain or wet conditions. Water entering a power tool will increase the risk of electric shock.
- Do not abuse the cord. Never use the cord for carrying, pulling or unplugging the power tool. Keep cord away from heat, oil, sharp edges or moving parts. Damaged or entangled cords increase the risk of electric shock.
- When operating a power tool outdoors, use an extension cord suitable for outdoor use. Use of a cord suitable for outdoor use reduces the risk of electric shock.
- If operating a power tool in a damp location is unavoidable, use a residual current device (RCD) protected supply. Use of an RCD reduces the risk of electric shock.

3. Personal safety

- Stay alert, watch what you are doing and use common sense when operating a power tool. Do not use a power tool while you are tired or under the influence of drugs, alcohol or medication. A moment of inattention while operating power tools may result in serious personal injury.
- Use personal protective equipment. Always wear eye protection. Protective equipment such as dust mask, non-skid safety shoes, hard hat, or hearing protection used for appropriate conditions will reduce personal injuries.
- Prevent unintentional starting. Ensure the switch is in the off-position before connecting

to power source and/or battery pack, picking up or carrying the tool. Carrying power tools with your finger on the switch or energising power tools that have the switch on invites accidents.

- Remove any adjusting key or wrench before turning the power tool on. A wrench or a key left attached to a rotating part of the power tool may result in personal injury.
- Do not overreach. Keep proper footing and balance at all times. This enables better control of the power tool in unexpected situations.
- Dress properly. Do not wear loose clothing or jewellery. Keep your hair, clothing and gloves away from moving parts. Loose clothes, jewellery or long hair can be caught in moving parts.
- If devices are provided for the connection of dust extraction and collection facilities, ensure these are connected and properly used. Use of dust collection can reduce dust-related hazards.
- Power tool use and care
 - Do not force the power tool. Use the correct power tool for your application. The correct power tool will do the job better and safer at the rate for which it was designed.
 - Do not use the power tool if the switch does not turn it on and off. Any power tool that cannot be controlled with the switch is dangerous and must be repaired.
 - Disconnect the plug from the power source and/or the battery pack from the power tool before making any adjustments, changing accessories, or storing power tools. Such preventive safety measures reduce the risk of starting the power tool accidentally.
 - Store idle power tools out of the reach of children and do not allow persons unfamiliar with the power tool or these instructions to operate the power tool. Power tools are dangerous in the hands of untrained users.
 - Maintain power tools. Check for misalignment or binding of moving parts, breakage of parts and any other condition that may affect the power tool's operation. If damaged, have the power tool repaired before use. Many accidents are caused by poorly maintained power tools.
 - Keep cutting tools sharp and clean. Properly maintained cutting tools with sharp cutting edges are less likely to bind and are easier to control.
- Use the power tool, accessories and tool bits etc. in accordance with these instructions, taking into account the working conditions and the work to be performed. Use of the power tool for operations different from those intended could result in a hazardous situation.
- Service
 - Have your power tool serviced by a qualified repair person using only identical replacement parts. This will ensure that the safety of the power tool is maintained.
 - If the supply cord is damaged, it must be replaced by the manufacturer, its service agent or similarly qualified persons in order to avoid a hazard.

BENCH GRINDER SAFETY WARNINGS

- Always remove the plug from the mains socket before making any adjustments or maintenance, including changing the wheel.
- Always wear eye protection and check that the safety window on the grinder are properly adjusted.
- Always turn the grinder off when it is not in use and never leave it unattended without first switching off and removing the power plug. Never leave the grinder until the grinding wheels have come to a complete stop.
- Do not let anyone under 18 years operate this tool.
- Rags, cloths, cord, string and the like should never be left around the work area.
- If you are interrupted when operating the tool, complete the process and switch off before looking up.
- Periodically check that all nuts, bolts and other fixings are properly tightened.
- Never operate the bench grinder with cracked or damaged wheels. Always replace cracked or damaged grinding wheels immediately.
- Always allow a new wheel to run for a few minutes at full speed before using it. Stand to one side at start up.
- Check that the wheel rotates freely each time before start up.
- Do not use the grinder unless all the guards are properly fitted and secure.
- Check that the tool rests are properly adjusted before commencing use.
- Do not overload the grinder. Allow the grinder to run at full speed, or close to full speed during use.
- If possible, always use clamps or a vice to hold your work.
- Ensure that the lighting is adequate.
- Do not put pressure on the tool, such that it slows the motor down. Allow the attachments to work without pressure. You will get better results and you will be taking better care of your tool.
- Make sure that the wheel is not in contact with the work when you start the grinder.
- When using the grinder, use safety equipment including safety goggles or shield, ear protection, dust mask and protective clothing including safety gloves.
- Keep the area free of tripping hazards.
- Keep your hands well clear of the grinding wheel.
- To prevent damage to the power cable, always lead it away from the rear of the machine.
- Use on materials containing asbestos is prohibited.
- The machine may exceed 85 db (A) at the workplace. The operator will require noise protection measures and ear muffs if this is the case.
- Protect the mains cable from becoming damaged by oil, solvents and sharp edges.
- Make sure that the switch is turned off when connecting the tool to the power supply.
- Check that the rotating speed shown on the wheel is equal to or higher than the rated speed of rotation for the grinder.

- Make sure that the grinding wheel is of the correct size for the grinder.
- Take precautions to ensure that flying sparks do not cause any danger, e.g. that they do not hit anyone or cause inflammable substances to ignite.
- Ensure the eye shields and tool rests are properly adjusted. (max. 2 mm clearance).
- Never use an object to slow or stop the grinding wheel whilst in motion.
- Ensure the bench grinder speed doesn't exceed the operating speed marked on replacement wheels.
- Always use the eye shields and tool rests. Ensure the eye shields and tool rests are properly adjusted. Don't use grinding wheels for cutting purposes.
- Before starting work, firmly screw the grinder to the workbench etc. using the mounting holes in the base plate.
- Adjust the spark deflector periodically in order to compensate the wear of the wheel. Distance between the spark deflector and the wheel should in no case exceed 2mm.
- The grinding wheel must be replaced at the latest when the spark deflector and the workpiece support can no longer be set a maximum distance of 2mm from the grinding wheel.

Keep this safety information in a safe place. If in doubt, do not plug in the tool. Using a power source with a voltage less than the nameplate rating is harmful to the motor.

The tool must be used only for its prescribed purpose. Any use other than those mentioned in this Manual will be considered a case of misuse. The user and not the manufacturer shall be liable for any damage or injury resulting from such cases of misuse.

To use this tool properly, you must observe the safety regulations, the assembly instructions and the operating instructions to be found in this manual. All persons who use and service the machine have to be acquainted with this manual and must be informed about its potential hazards.

This appliance is not intended for use by young or infirm persons unless supervised by a responsible person to ensure that they can use the appliance safely. Young children should be supervised to ensure that they do not play with the appliance.

The manufacturer shall not be liable for any changes made to the tool nor for any damage resulting from such changes.

Even when the tool is used as prescribed it is not possible to eliminate all residual risk factors. The following hazards may arise in connection with the tool's construction and design:

- Damage to the lungs if an effective dust mask is not worn.
- Damage to hearing if effective ear defenders are not worn.
- Contact with the grinding wheel where it is not covered.
- Catapulting of parts from damaged grinding wheels.
- Catapulting of workpieces and parts of workpieces from the machine.

Wear goggles. Wear ear protection. Wear a breathing mask

ozito

BENCH GRINDER

150W 150mm

ORIGINAL INSTRUCTIONS

SPECIFICATIONS

Motor:	150W (52 30min)
No Load Speed:	2950/min
Wheel:	Ø150 mm
Wheel Thickness:	16 mm
Wheel Bore:	Ø12.7 mm
Wheel Grit:	36 & 60
Weight:	5.45 kg

ozito.com.au

3 YEAR REPLACEMENT WARRANTY

WARRANTY

All of our products undergo strict quality checks to ensure that they reach you in perfect condition. In the unlikely event that your device develops a fault, please contact our service department at the address shown on this guarantee card. You can also contact us by telephone using the customer service number shown. Please note the following terms under which guarantee claims can be made:

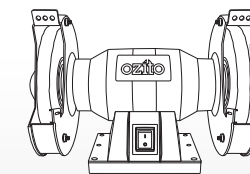
1. These warranty terms regulate additional warranty services, which the manufacturer mentioned below promises to buyers of its new products in addition to their statutory guarantee claims are not affected by this guarantee. Our guarantee is free of charge to you.

2. The warranty services only covers defects due to material or manufacturing faults on a product which you have bought from the manufacturer mentioned below are limited to either the rectification of said defects on the product or the replacement of the product, whichever we prefer. Please note that our devices are not designed for use in commercial, trade or professional applications. A guarantee contract will not be created if the device has been used by commercial, trade or industrial business or has been exposed to similar stresses during the guarantee period.

3. The following are not covered by our guarantee:

- Damage to the device caused by a failure to follow the assembly instructions or due to incorrect installation, a failure to follow the operating instructions (for example connecting it to an incorrect mains voltage or current type) or a failure to follow the maintenance and safety instructions or by exposing the device to abnormal environmental conditions or by lack of care and maintenance.
- Damage to the device caused by abuse or incorrect use (for example overloading the device or the use of unapproved tools or accessories), ingress of foreign bodies into the device (such as sand, stones or dust, transport damage), the use of force or damage caused by external forces (for example by dropping it).
- Damage to the device or parts of the device caused by normal or natural wear or tear or by normal use of the device.

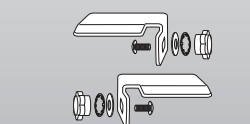
WHAT'S IN THE BOX



Bench Grinder



Eye Shield Assembly x 2



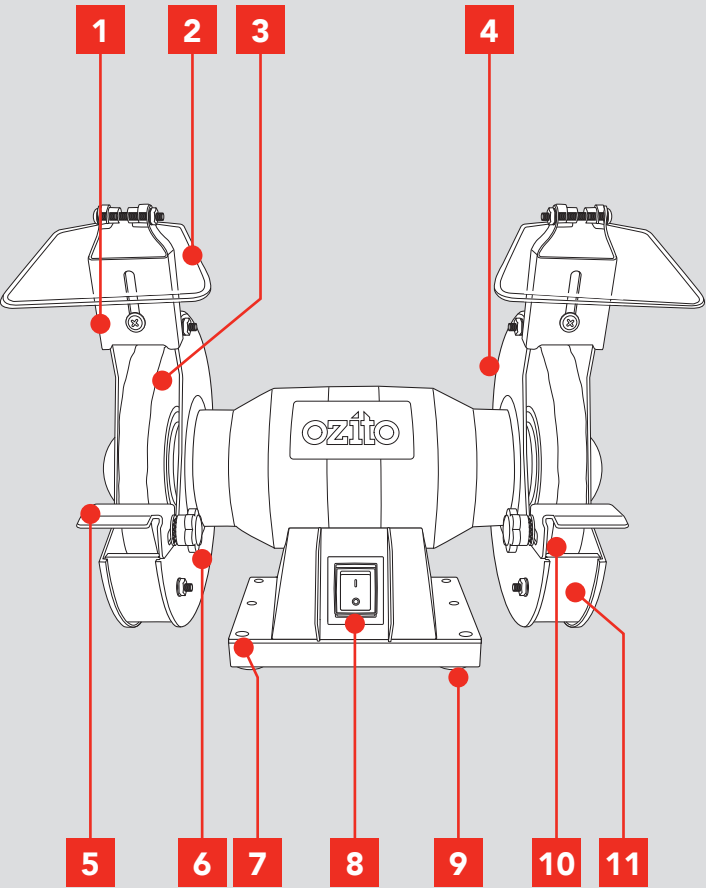
Tool Rest Assembly x 2

OZBG150WU

KNOW YOUR PRODUCT

BENCH GRINDER

- | | |
|-----------------------------|-----------------------|
| 1. Eye Shield Bracket | 7. Mounting Hole |
| 2. Eye Shield | 8. On/Off Switch |
| 3. Grinding Wheel | 9. Rubber Foot |
| 4. Wheel Guard | 10. Tool Rest Bar |
| 5. Tool Rest | 11. Wheel Guard Cover |
| 6. Tool Rest Adjusting Knob | |



ONLINE MANUAL

Scan this QR Code with your mobile device to take you to the online manual.



SETUP & PREPARATION

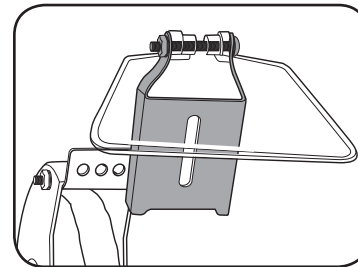
1. ASSEMBLY

WARNING! TURN OFF THE BENCH GRINDER AT THE MAINS OUTLET AND UNPLUG BEFORE ATTEMPTING ASSEMBLY. FAILURE TO DO SO MAY CAUSE SERIOUS PERSONAL INJURY.

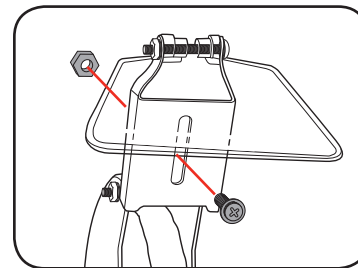
Remove the bench grinder and contents from within the carton. Sit the bench grinder down on a table or bench with the switch side facing towards you.

Fitting the eye shields

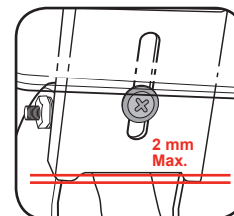
- Assemble the eye shields by placing the raised metal sides of the eye shield bracket onto the upper wheel guard. Align the central hole in the upper wheel guard with the slot in the eye shield bracket.



- Fix the eye shield bracket to the upper wheel guard using the screws supplied with a flat washer and spring washer. Fasten in place with a nut at the rear of the upper wheel guard.



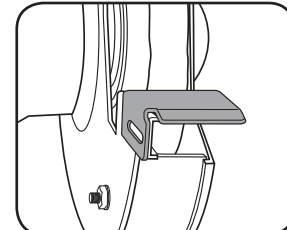
- Adjust the eye shield using the adjusting screw so that the distance between the grinding wheel and the eye shield bracket is as small as possible and does not exceed 2 mm.



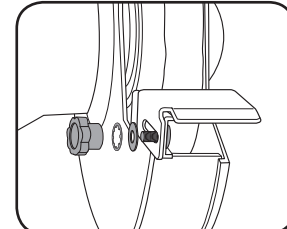
Note: Adjust the eye shields periodically to compensate for wear on the grinding wheels.

Fitting the tool rests

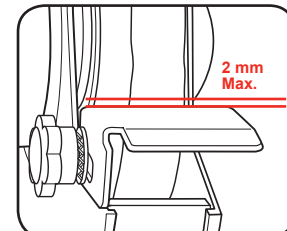
- Assemble the tool rest by placing it over the tool rest bar. The smaller, slightly angled portion of the tool rest should be closest to you and facing down. The angle of the tool rest should be adjusted according to the application.



- Feed one of the supplied bolts through the tool rest bar and tool rest. Place a flat washer and star washer over the threaded end of the bolt and secure by fastening tool rest adjusting knob.

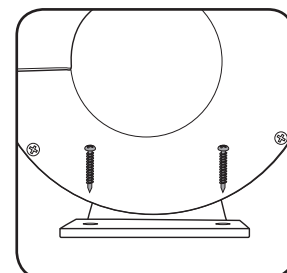


Note: For the tool rest to work effectively, it should be no more than 2 mm away from the grinding wheel. This will also aid in the deflection of stray sparks. As the wheel wears with use adjust the tool rest accordingly.



Mounting the bench grinder

For extra stability, we recommend securing the bench grinder using the mounting holes provided on the corners of the base. Secure to a bench or table using bolts or long screws (not supplied).



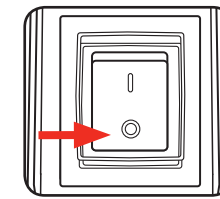
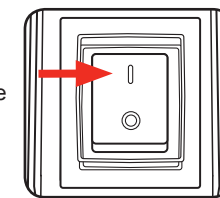
OPERATION

2. OPERATION

WARNING! THE POWER SUPPLY FOR THIS PRODUCT SHOULD BE PROTECTED BY A RESIDUAL CURRENT DEVICE (RATED AT 30MA OR LESS). A RESIDUAL CURRENT DEVICE REDUCES THE RISK OF ELECTRIC SHOCK.

On/Off switch

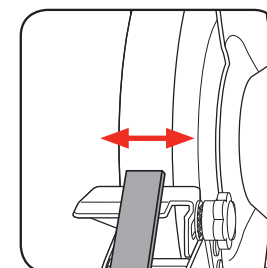
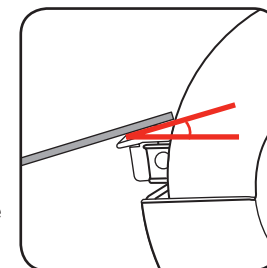
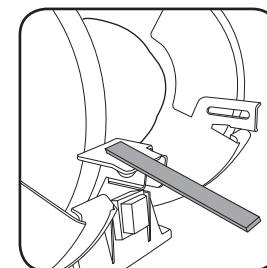
- Turn the bench grinder on by pushing the On/Off switch to the "I" (On) position. Once depressed it will remain on.
- Turn the bench grinder off by pushing the On/Off switch to the "O" (Off) position.



WARNING! DO NOT GRIND WITH THE EYE SHIELD RAISED: ALWAYS WEAR SAFETY GLASSES WHEN OPERATING THE BENCH GRINDER.

Grinding

- Turn the bench grinder on and stand to one side while the bench grinder reaches maximum speed.
- Place the workpiece onto the tool rest.
- Slowly guide the workpiece towards the grinding wheel, ensuring that the workpiece is at the desired angle when it makes contact.
- Apply gradual pressure to allow the wheel to warm up evenly. Use only the pressure required to complete the job.
- By moving the work piece back and forth across the wheel you will prevent grooves.



MAINTENANCE

3. WHEEL CHANGE

WARNING! ENSURE THE BENCH GRINDER IS TURNED OFF & DISCONNECTED FROM THE POWER SUPPLY BEFORE PERFORMING ANY OF THE FOLLOWING OPERATIONS.

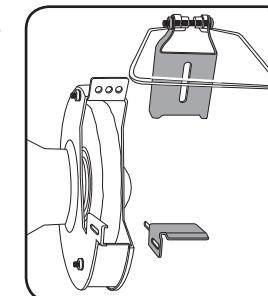
Changing the wheels

Abrasive wheels should be discarded when:

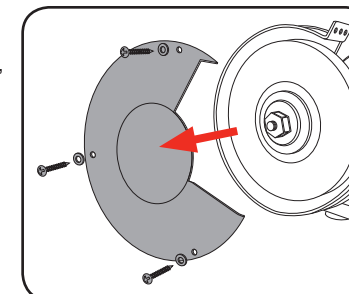
- The diameter approaches that of the driving flanges.
- The tool rest can no longer be correctly adjusted to the wheel diameter.
- The wheel no longer grinds efficiently because of reduced peripheral speed.

Note: Visually inspect wheels for damage or defects prior to fitting.

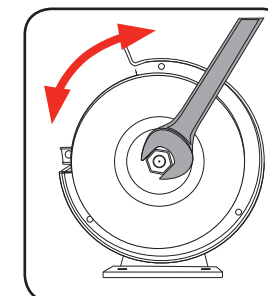
- Remove the eye shield and tool rest from the side of the bench grinder you wish to change wheels.



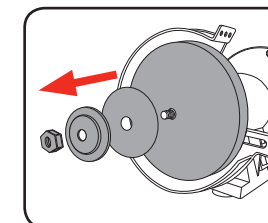
- Loosen and remove the 3 sets of screws, flat washers, spring washers and nuts that hold the cover over the wheel you wish to change. Remove the cover.



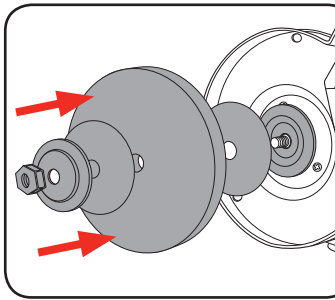
- Use a spanner or shifter to loosen the wheel lock nut. To remove the left wheel nut rotate clockwise. To remove the right wheel nut rotate anti-clockwise. Use one hand to lock the wheel in place and the other to loosen the nut.



- Remove the nut, outer flange, paper washer and old wheel.

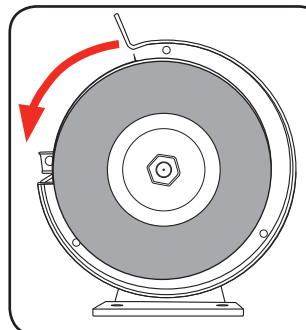


- If you did not get paper washers with your new wheel, re-use the old ones. Fit the first paper washer over the spindle up against the inner flange. Fit the new wheel. Fit the second paper washer over spindle up against the wheel, then fit the outer flange and nut back to the spindle. Use one hand to lock the wheel in place and the other to tighten the nut.

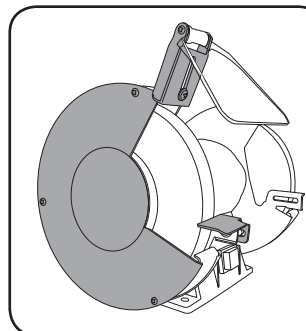


Note: If you are tightening the left wheel nut; tighten anti clockwise until the right wheel begins to turn. If you are tightening the right wheel nut, tighten clockwise until the left wheel begins to turn.

- Ensure the new wheel is secured and rotates freely before proceeding.



- Re-assemble the wheel cover, eye shield and tool rest.



- Switch on the bench grinder and ensure that the wheels are running in alignment before commencing use.