



Einhell

BLUE

BT-VC 1250 S Vacuum Cleaner

Art.-No. 23.421.60

The BT-VC 1250 S is an allround vacuum cleaner. You can clean rough, fine and dry or wet dirt even liquid without any problems. The throughput of the wet-dry vacuum cleaner is stopped automatically due to a protection float switch when liquid is suctioned and the vessel is filled.

Features

- 36 mm tube system (1)
- Carrying handle (2)
- 4 pcs castors (3)
- 20 l stainless steel vessel (4)
- Accessory bracket (5)
- Cable hook (6)
- Blow adapter (7)

Standard accessories

- 1 suction hose \varnothing 36 mm (1)
- 1 dust collection bin (8)
- 1 foam filter (9)
- 1 crevice nozzle (10)
- 1 adapter (11)
- 3 extension pipes \varnothing 36 mm (12)
- 1 attachment for carpets (13)
- 1 attachment for smooth floors (14)
- 1 large suction nozzle (15)

Technical data

- | | |
|-----------------------|--------------------|
| ■ Mains voltage: | 230 V ~ 50 Hz |
| ■ Input power: | 1,250 W |
| ■ Suction power max.: | 140 mbar |
| ■ Vessel capacity: | 20 l |
| ■ Net weight: | 5.0 kg |
| ■ Gross weight: | 5.8 kg |
| ■ Packing dimension: | 330 x 330 x 480 mm |
| ■ Bar code: | 4006825 540307 |
| ■ Sales unit: | 1 pc |



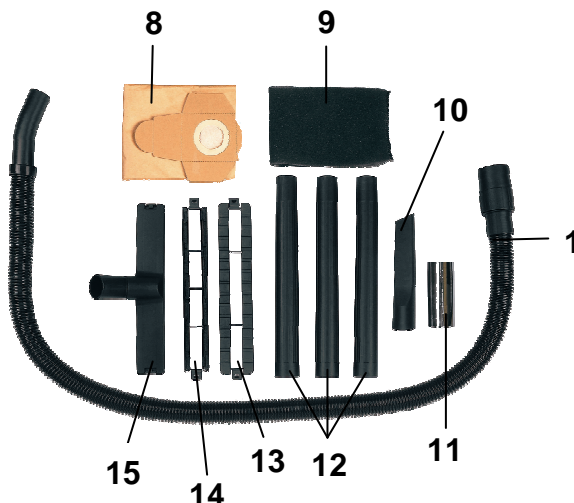
7



6



5



1

2

4

3