

Tile cutting machine FSG 518/1

Art.-No.: **43.011.40**

Bar code: **4006825432251**

Sales unit: **1 pc**

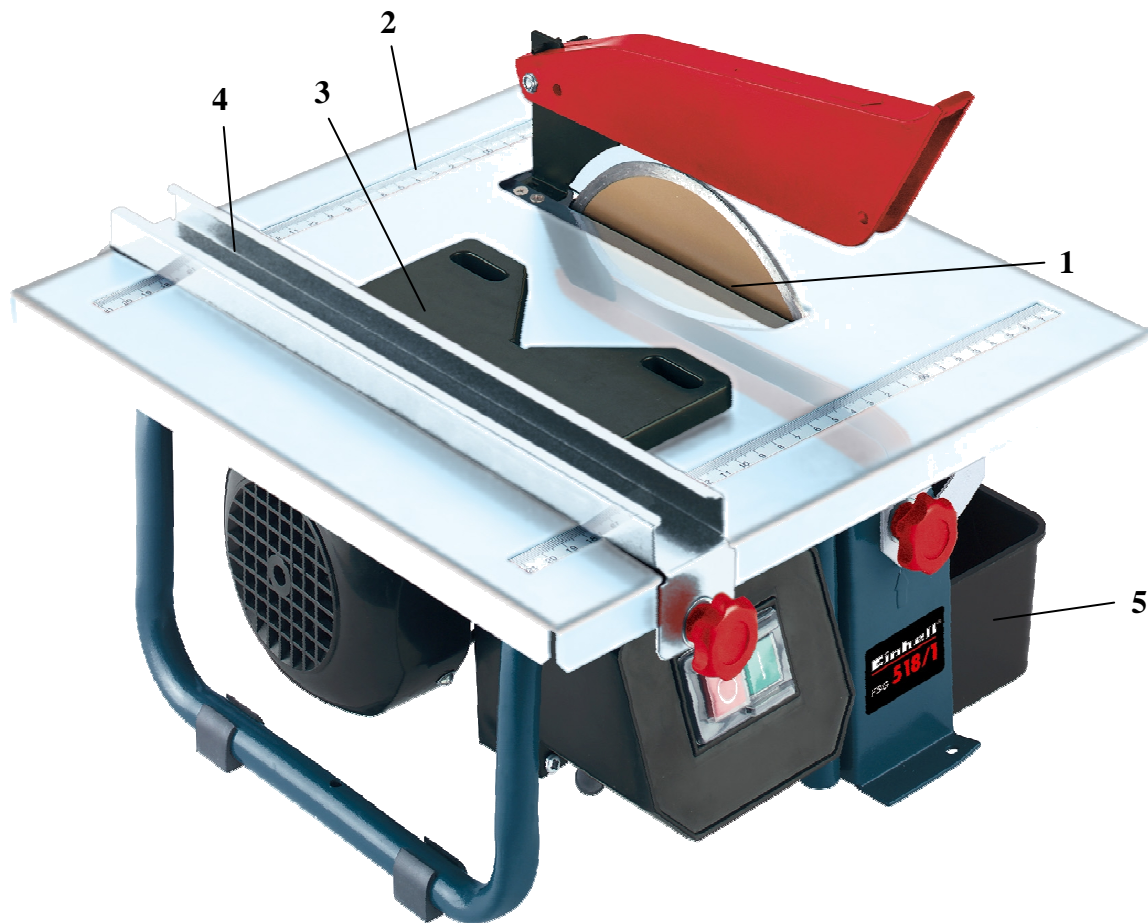
The tile cutting machine FSG 518/1 is an easy transportable unit for cutting small and medium sized wall- or floor tiles with water cooled cutting disc for dust-free cutting. The zinc-coated working table can be tilted continuously up to 45°, incl. parallel guide for endless length and jolly cuts.

Features:

- Diamond cutting disc (1)
- Working table (2)
- Mitre cut guide (3)
- Parallel guide (4)
- Water tank (5)
- Toolings

Technical data:

- | | |
|-----------------------------|-------------------------|
| - Mains: | 230 V ~ 50 Hz |
| - Motor: | AC motor |
| - Power: | 600 W S2 10 min |
| - No-load speed n_0 : | 3,000 min^{-1} |
| - Cutting height 90° / 45°: | 35 mm / 12 mm |
| - Table size: | 330 x 360 mm |
| - Diamond cutting disc: | Ø 180 x Ø 25.4 mm |
| - Weight: | 10.8 kg |
| - Packing dimensions: | 380 x 340 x 190 mm |



As special accessory available:

Diamond cutting disc
Ø 180 x Ø 25.4

Art.-No.: **43.011.70**
Bar code: **4006825432015**