



GLM1650 ELECTRIC LAWNMOWER

1600W ELECTRIC LAWMOWER



Now you have purchased a Gardenline® product you can rest assured in the knowledge that as well as your 3 year parts and labour warranty you have the added peace of mind of dedicated helplines and web support

AFTER SALES SUPPORT

UK / N.IRELAND HELPLINE NO 0151 6491500
REP. IRELAND HELPLINE NO 1890 946244

MODEL NUMBER: 7781
MONTH ON SALE: 03/2008 (36)
THIS BOX INCLUDES:
• 1 x LAWMOWER
• 1 x COLLECTION BAG

THE POWER GUIDE

Contents

- 03 Introduction
- 04 General Information & Safety Instructions
- 12 Assembly and Parts List
- 15 Getting Started
- 16 Features
- 18 Instructions
- 22 FAQ's
- 23 Other Useful Information
- 24 Warranty Card

Packaging

The unit is supplied in packaging to prevent its being damaged in transit. This packaging is raw material and can therefore be reused or can be returned to the raw material system.

Introduction

1

Congratulations on choosing to buy a Gardenline[®] product. By doing so you now have the assurance and peace of mind that comes with purchasing a product made by one of Europe's leading manufacturers.

All products brought to you by Gardenline[®] are manufactured to the highest standards of performance and safety, and, as part of our philosophy of customer service and satisfaction, are backed by our comprehensive 3 Year Warranty.

Great care has gone into the manufacture of this product and it should therefore provide you with years of good service when used properly. In the event of product failure within its intended use over the course of the first 3 years after date of purchase, we will remedy the problem as fast as possible once it has been brought to our attention. In the unlikely event of such an occurrence, or if you require any information about the product, please contact us via our helpline support services, details of which are to be found both in this manual and on the product itself.

Please fill in and return the Warranty Card to the address provided.

We hope you will enjoy using your purchase for many years to come.

Helpline No. UK/Northern Ireland 0151 6491500
Rep. Ireland 1890 946244
Model Number: 7781

03

Safety Instructions

2

When using equipment, a few safety precautions must be observed to avoid injuries and damage:

- Read the operating instructions carefully and comply with them. It is important to consult these instructions in order to acquaint yourself with the unit, its proper use and safety regulations.
- Keep this manual in a safe place, so that the information is available at all times.
- If you give the equipment to any other person, give them these operating instructions as well.

We accept no liability for damage or accidents which arise due to nonobservance of these instructions.

General safety instructions

- 1 As with all tools keep away from children. Never allow others who are not familiar with the operating instructions to use the lawn mower. Local regulations may fix the minimum age of the user.
- 2 Disconnect the mains lead before carrying out any inspection, servicing and maintenance work.
- 3 The user is responsible for any harm to third parties in the working area of the lawn mower, caused by using the lawn mower.
- 4 Only work in good light or provide the appropriate artificial light.
- 5 Always check the mower for signs of damage.
- 6 Ensure that all the guards are fitted and function correctly.
- 7 Never use the mower when you are tired.

- 8 Never use the mower in enclosed or poorly ventilated rooms or if there are inflammable or explosive fluids, vapours or gases nearby.
- 9 Always pull out the power plug:
 - whenever you leave the machine unattended;
 - before freeing a jammed blade;
 - before checking, cleaning or carrying out any other work;
 - if the machine hits a foreign body and you check it for damage and make any repairs that are required;
 - if the machine starts to vibrate in an unusual manner (check immediately).
- 10 Before use always inspect the mower to check the cutting tools, fastening bolts and the entire cutting unit for signs of wear or damage. To prevent imbalance, worn or damaged cutting tools and fastening bolts may only be replaced in full.
- 11 For your own safety, replace worn or damaged parts without delay. Only original replacement parts may be used.
- 12 Follow the instructions to fit or remove the blade and wear protective gloves.
- 13 Check the site on which you intend to use the lawn mower and remove all objects that may be caught and thrown up by the mower. Foreign bodies must be removed before you start mowing. Keep an eye of the extension cables that you need to power the mower.
- 14 Non slip (PPE) shoes with toe protection should be worn. Never mow in bare feet or in open-toed sandals.
- 15 Always use the lawn mower with the grass bag attached or with the safety flap closed if you are not using the grass bag.
- 16 Do not lift the lawn mower when you start the motor.
- 17 Never move your hands or feet near or under rotating parts. When using a sickle bar mower, never stand in front of the grass ejector opening.

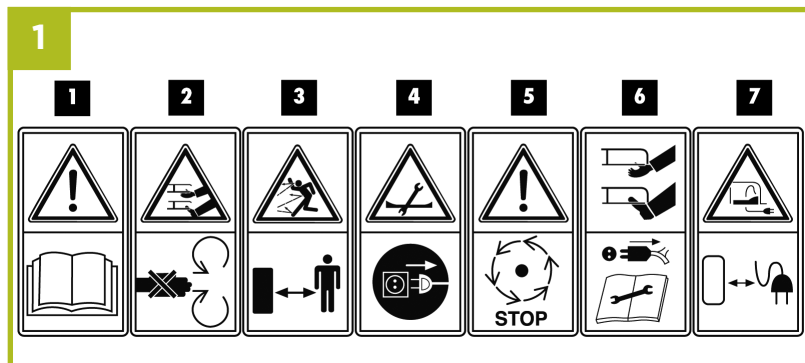
- 18 Before you attach or empty the grass bag, switch off the motor and wait until the blade has reached a standstill.
- 19 The safety distance produced by the long handle must be maintained at all times.
- 20 If you use the mower on a slope, mow across the slope (not in up or down direction).
- 21 Do not use the lawn mower on gradients of over 15%.
- 22 Before you lift the lawn mower to transport it, switch off the motor, disconnect the mains lead and wait until the blade has reached a standstill.
- 23 When the mower is working ensure that nobody, particularly children and animals, is in the immediate vicinity of the lawn mower. Ensure that you keep everybody 10 meters away from the mower when it is working.
- 24 Keep long hair tied back and wear protective eye wear or hearing protection if required.
- 25 Keep the lawn mower in a dry place which is inaccessible to children.
- 26 Repair work on the electrical parts of the lawn mower may only be carried out by an electrician.
- 27 The mains leads must be no lighter than lightweight rubber hose cables H07RN-F as described in DIN 57 282/VDE 0282 and must have a minimum cross-section of 1.5 mm². The plug connectors must have safety contacts and the connection must be splashproof. The mains lead must be threaded through the strain-relief clamp on the strut and connected to the switch/plug combination. Before use check the lead for signs of damage and ageing. Never use the mower if the cables are not in perfect condition (this also applies to the motor supply cable on the mower). If the cable is damaged whilst the mower is working, disconnect the mains plug from the power supply immediately and then check the extent of the damage.

- 28 When you start the motor the lawn mower must not be tilted unless it has to be raised for this purpose. In this case only tilt it up as far as is really necessary and only raise the side that is furthest away from the user.
- 29 Disconnect the plug from the power supply if the mower starts to suffer unusual vibrations (check the mower immediately).
- 30 Ensure that all the nuts, bolts and screws are tight and that the mower is in a safe condition for use.
- 31 Switch off the motor and disconnect the plug from the power supply if the mower strikes a foreign body. Check the mower for signs of damage and carry out the necessary repair work before you start work with the mower again.
- 32 Do not leave the mower out in the rain. The lawn must not be wet or very damp.
- 33 Ensure that you have safe footing at all times whilst working with the mower.
- 34 Only push the mower at walking pace.
- 35 Be particularly careful when changing direction with the mower whilst working on a slope.
- 36 Be particularly careful when you change the direction of the mower or pull it towards you.
- 37 Switch off the mower if it has to be tilted for transport purposes, when you have to take it over surfaces other than grass, and when moving the mower to and from the area you wish to mow.
- 38 Start or use the starter switch with care as described in the manufacturer's instructions. Ensure that your feet are a safe distance from the cutting tool.
- 39 Never lift or carry the mower whilst the motor is running.
- 40 Switch the mower off before leaving it.
- 41 Allow the motor to cool down before you place the machine in enclosed rooms for storage.

- 42 Check the grass bag at regular intervals for signs of wear and to ensure that it is still in perfect working order.
- 43 Before you adjust or clean the mower or check whether the mains lead is kinked or damaged, switch off the mower and disconnect the plug from the power supply.
- 44 The connection sockets on the connectors must be made of rubber, soft PVC or other thermoplastic material with the same strength or they must be coated with this material.
- 45 Ensure that you do not push the mower over routes that might hamper the free movement of the extension cable.
- 46 Do not switch the mower on and off frequently over a short period of time, and in particular do not play with the ON/OFF switch.
- 47 As a result of the voltage fluctuations this mower causes as it gets up to speed, other equipment connected to the same circuit may suffer faults if the mains supply is not in perfect condition. In this case suitable action has to be taken (for example connect the mower to a different circuit or run the mower on a circuit with lower impedance).

Explanation of the warning signs on the machine (see Fig. 1)

- 1 = Read the directions for use before operating the tool!
- 2 = Caution: rotating cutters!
- 3 = Keep your distance/Keep other people away!
- 4 = Always pull the power plug before doing any work on the cutting unit!
- 5 = Caution: The cutters continue to run after the motor is switched off!
- 6 = Take care of the sharp cutters! Switch off the motor and pull the power plug before you carry out any settings or cleaning work and if the power cable is caught or damaged!
- 7 = Caution: Keep the power cable away from the cutters!



Proper usage

Power connection

The lawn mower can be connected to any socket (with 230 V alternating current). However, only use a socket with an earth connection protected by a cable protection switch for 16 A and a residual current device (RCD) circuit-breaker with max. 30 mA.

Mower mains lead

Only use a mower mains lead that is in perfect condition. The mains lead must not exceed a certain length (max. 50m), since otherwise the power of the electric motor will fall. The mains lead must have a cross-section of 3 x 1.5mm².

Mains leads on lawn mowers are particularly susceptible to insulation damage.

The causes of this include the following:

- Cutting the cable by passing over it with the mower.
- Damage through crushing if the mains lead is routed under doors or windows.
- Cracks caused by ageing of the insulation sheath.
- Kinks caused by incorrect fastening or routing of the mains lead.

Such damaged mains leads should not be used under any circumstances as they may cause fatal injuries due to their damaged insulation sheath. Cables, plugs and connection sockets must satisfy the conditions listed below. Mains leads for connecting lawn mowers must have rubber insulation sheaths.

The mains leads must be at least type H05RNF and have three wires. The type designation must be printed on the mains lead. Only buy mains leads that have their type data printed on them. The plugs and connection sockets on mains leads must be made of rubber and be splashproof. Mains leads are subject to length restrictions. Long mains leads require larger cable cross-sections. Mains leads and

connection cables must be checked at regular intervals for signs of damage. Ensure that the leads are not connected to the power supply when you check them. Uncoil the mains lead in full. Also check the mains lead connection points at plugs and connection sockets for kinks.

All repairs must be carried out by authorised service centre or a qualified electrician.

The lawn mower is designed for use in private gardens.

Lawn mowers for use in private gardens are mowers whose annual use does not generally exceed 50 hours and that are primarily used for tending grass or lawn areas, but not in public facilities, parks or sports grounds and not for agricultural or forestry use.

Compliance with the operating manual supplied by the manufacturer is a prerequisite for the proper usage of the lawn mower. The operating manual contains servicing and maintenance instructions as well as directions for use.

Important. As a result of the potential danger to the user, the lawn mower must not be used to trim bushes, hedges and shrubs, to cut or shred climbing plants or lawns on roof gardens or in balcony boxes or to clean footpaths, nor must it be used as a chopper for shredding tree or hedge cuttings. Furthermore, the lawn mower must not be used as a cultivator or to level off uneven areas of ground, e.g. molehills.

For safety reasons the lawn mower must not be used as a power unit for other tools and tool sets of any type unless the manufacturer expressly approves such use.

Assembly & Parts List

3

The lawn mower is delivered pre-assembled. Follow the operating instructions step-by-step and use the pictures provided as a visual guide to easily assemble the machine.

Assembling the long handle (see Figs. 2-5)

- Pull the long handle apart as shown in Figure 2. Make sure when doing so that the motor cable is not jammed.
- Tighten the two star screws (Fig.3/Item A)
- Now you can select one of the 4 different heights of the long handle, between 86.5 and 113 cm (Fig.4/Item A).

Important: The handle height may only be adjusted within the marked area.

- Secure the long handle in the desired position using the two star screws (Fig.4/Item B).

Important: Always set the identical handle height on both sides.

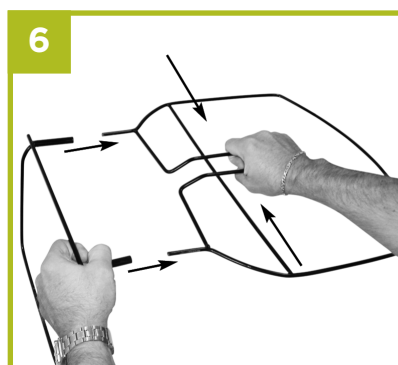
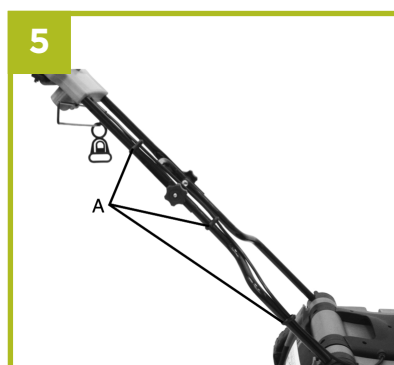
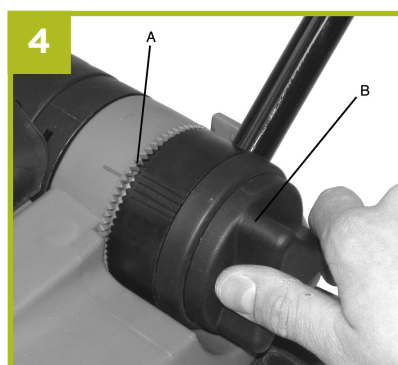
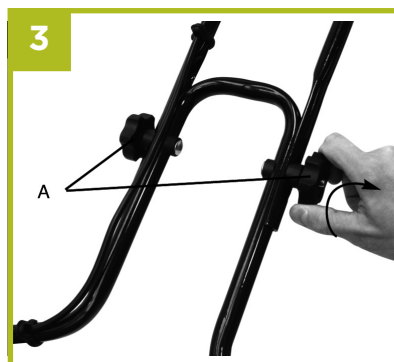
- Use the cable clips to align the cable in accordance with the long handle (Fig.5/Item A).

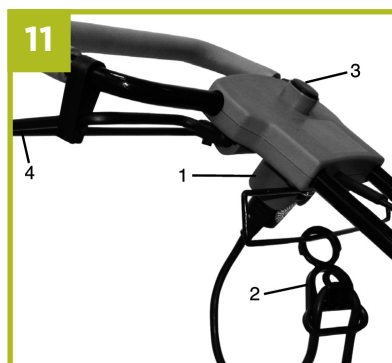
Mounting the grass collecting device

(see Fig. 8 to 13 on page 14)

Mount the bar frame as shown in Fig. 6. Pull the grass bag over the bar frame (Fig. 7.) and fasten the bag to the frame with the rubber clips (Fig. 8). Before you ever fit the grass bag to the mower you must ensure that the motor is switched off and the blade is not rotating.

Lift the ejector flap (Fig. 9/Item 1) with one hand. With the other hand, hold the grass bag by the handle and hook it in from above (Fig. 9).





Getting Started

4

Setting the cutting heights

Important! Adjust the cutting height only when the engine is switched off and the power cable has been disconnected.

Before you begin to mow, check to ensure that the blade is not blunt and that none of the fasteners are damaged. To prevent any imbalance, replace blunt and/or damaged blades. To carry out this check, first switch off the motor and pull out the power plug.

The cutting height is adjusted as shown in Fig. 10.

- 1 Pull out the lever (A).
- 2 Set the lever (A) to the desired cutting height.

The cutting height can be set between 25-75mm in 10 intervals, and can be read off on the scale (Fig. 10/Item B).

Starting up

Connect the power cable to the switch/plug block (Fig. 11/Item 1) and secure the power cable with the cable stress-relief clip (Fig. 11/Item 2). Use the fasteners (cable holders) for the power cable.

Important! To prevent the machine switching on accidentally, the lawn mower is equipped with a safety lock-off (Fig. 11/Item 3) which must be pressed before the switching bar (Fig. 11/Item 4) can be activated. The lawn mower switches itself off when the switch is released. Repeat this process several times so that you are sure that the machine functions properly. Before you perform any repair or maintenance work on the machine, ensure that the blade is not rotating and that the power supply is disconnected.

Important. Never open the discharge flap if the grass box is being emptied and the motor is still running. The rotating blade can cause serious injuries.

Always secure the discharge flap and grass bag carefully. Always switch off the motor before you remove these items.

The safety distance between the blade casing and the user provided by the guide struts must be maintained at all times. Take special care when mowing and changing direction on embankments and slopes. Ensure that you have a secure surface to stand on, wear shoes with anti-slip soles that offer good grip, and long trousers. Always mow across the slope (not in up or down direction). Do not use the mower on gradients exceeding 15° for safety reasons.

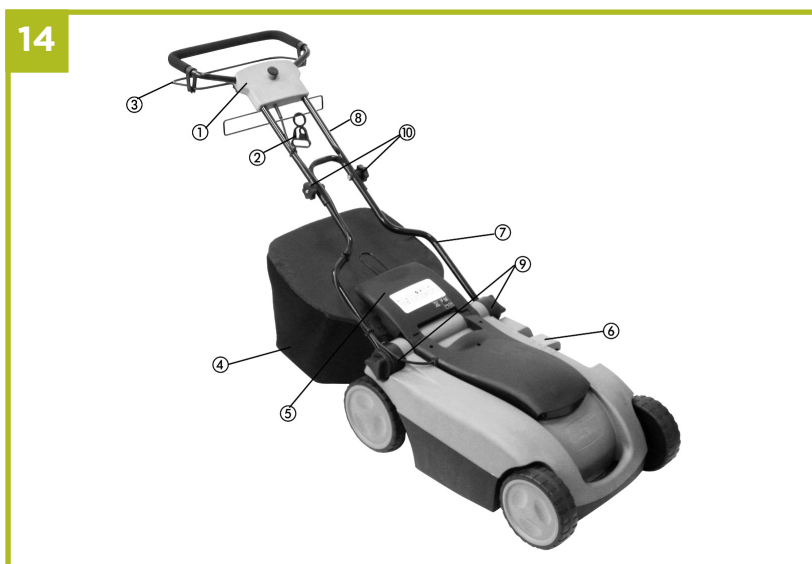
Take special care when moving backwards and pulling the lawn mower. Danger of stumbling!

Features

5

Layout and items supplied

- 1 Switch/plug block
- 2 Cable strain-relief clamp
- 3 ON/OFF switch
- 4 Grass bag
- 5 Ejector flap
- 6 Central height adjustment:
- 7 Bottom push bar
- 8 Top push bar
- 9 Fastening screws for bottom push bar
- 10 Fastening screws for top push bar
- 11 Frame parts for grass bag
- 12 Key for changing the blade



Instructions

6

Information on correct mowing

We recommend that you mow in overlapping lines.

Only mow with sharp, perfect blades so that the blades of grass do not fray, making the lawn turn yellow.

To achieve a good cut, guide the lawn mower in lines that are as straight as possible. These lines should always overlap by a few centimeters so that you do not leave any strips. How often you should mow the lawn depends on how fast the lawn grows. During the main growth period (May - June), mow it twice a week, and once a week at other times. The cutting height should be between 4 and 6 cm and the growth before the next cut should be between 4 and 5 cm. If the lawn grows longer than this on occasion, do not make the mistake of cutting to normal length straight away since this will damage the lawn. Never cut the grass by more than half its height. Keep the underside of the mower casing clean and remove all grass deposits from it. Deposits make it more difficult to start the mower and also adversely affect the mowing quality and the grass discharge. On slopes mow across the slope (not in up or down direction). You can counteract the tendency of the mower to slide down the slope by setting it at an angle upwards. Select the cutting height to suit the actual length of the grass. Make several passes to ensure that you do not remove more than 4 cm of grass length in any one pass.

Switch off the motor and pull the power plug before doing any checks on the blade. Keep in mind that the blade continues to rotate for a few seconds after the engine has been switched off. Never attempt to manually stop the blade. Regularly check to see if the blade is securely attached, is in good condition and is sharp. If the contrary is the case, sharpen the blade or replace it. In the event that the blade strikes an object, immediately

switch off the lawn mower and wait for the blade to come to a complete stop. Then inspect the condition of the blade and the blade mount. Replace any parts that are damaged. Lay the power cable on the ground in loops in front of the power outlet. Mow away from the power outlet and cable, making sure that the power cable always trails in the mowed grass so that the lawn mower does not travel over the cable.

Mowing

As soon as you see mown grass on the lawn whilst you are mowing, the grass bag will need emptying.

Important. Before you remove the grass bag switch off the motor and wait until the cutting tool reaches a standstill.

To remove the grass bag, raise the discharge flap with one hand and remove the grass bag using its handle with your other hand. To maintain safety, the discharge flap will close when you remove the grass back to seal the rear discharge opening. If any grass residues are caught in the opening, it is a good idea to pull the mower backwards around 1 m to make it easier to start the motor.

Do not remove grass cuttings in the mower casing or on the cutter by hand or with your feet. Instead use suitable tools such as a brush or broom.

To ensure that it can collect the grass correctly the grass bag and in particular the net must be cleaned from the inside after use.

Only attach the grass bag after switching off the motor and the cutting tool has reached a standstill.

Raise the discharge flap with one hand and, holding the grass bag by its handle in your other hand, attach it from the top.

Servicing and storage

Servicing and cleaning work on the lawn mower and the removal of the guards may only be carried out after the motor has been switched off and the plug disconnected

from the power supply. Worn or damaged blades, blade holders and bolts must be replaced together by an authorized specialist to maintain the balance of the mower.

Do not clean the lawn mower with running water, particularly not if it is at high pressure. Ensure that all the fastening elements (screws, nuts, etc.) are tight at all times so that you can work with the mower in safety.

Check the grass collection device frequently for signs of wear.

Replace worn or damaged parts.

Store your lawn mower in a dry place. To ensure it has a long life all the screw parts and the wheels and axles should be cleaned and then oiled.

The long handle can be folded together into its as-delivered state (see Fig. 15) in order to save space during storage. When folding the handle make sure that the motor cable is not jammed. Keeping your hand mower in good condition not only ensures a long lifespan and high performance, but also enables the machine to thoroughly cut your grass with minimal effort. For best results, clean the lawn mower with a brush or rag. Do not use any solvents or water to remove dirt. The cutting components - i.e. the knife cage and lower knife blade - are subjected to more wear and tear than any other component of the unit. Therefore, routinely check the condition of the blade and make sure that it is tightly fastened. If the blade is completely worn out, it must be immediately replaced or ground sharp again. An excessively vibrating mower means that the blade is not properly balanced or has become deformed from striking an object. In this case, the blade must be repaired or replaced.

Replacing the blade

For safety reasons, we recommend having the blade replaced by an authorized professional.

Important! Wear work gloves!

Only replace the blade with a genuine Einhell replacement blade, as this will ensure top performance and safety under all conditions.

Carry out the following steps to change the blade:

- Undo the fastening screw (Fig. 12).
- Remove the blade and replace with a new one.
- When fitting the blade, make sure it is installed in the right direction. The blade's air vanes must jut into the motor compartment (see Fig. 13). The dome mounts must be aligned with the punch holes in the blade (see Fig. 13).
- Then re-tighten the fastening screw with the universal wrench. The tightening torque should be approx. 25 Nm.

At the end of the season, perform a general inspection of the lawn mower and remove any grass and dirt which may have accumulated. At the start of each season, ensure that you check the condition of the blade. If repairs are necessary, please contact our customer service center. Use only original replacement parts.

Waste disposal

Important! The lawn mower and its accessories are made of various types of material, such as metal and plastic.

Defective components must be disposed of as special waste. Ask your dealer or your local council.



For EU countries only

Never place any electric tools in your household refuse. To comply with European Directive 2002/96/EC concerning old electric and electronic equipment and its implementation in national laws, old electric tools have to be separated from other waste and disposed of in an environment-friendly fashion, e.g. by taking to a recycling depot. Recycling alternative to the demand to return electrical devices: As an alternative to returning the electrical device, the owner is obliged to cooperate in ensuring that the device is properly recycled if ownership is relinquished. This can also be done by handing over the used device to a returns center, which will dispose of it in accordance with national commercial and industrial waste management legislation. This does not apply to the accessories and auxiliary equipment without any electrical components which are included with the used device.

FAQ's

7

Fault	Possible causes	Remedies
The motor fails to start	a) The capacitor is defective	a) The mower housing is clogged. Have repaired by the Customer Service Center
	b) There is no electricity at the plug	b) Check the cable and the fuse
	c) The cable is defective	c) Check the cable
	d) The combined switch/plug is defective	d) Have repaired by the Customer Service Center
	e) The connectors have become separated from the motor or the capacitor	e) Have repaired by the Customer Service Center
	f) The mower is standing in high grass	f) Start in low grass or on an area that has already been mowed; change the cutting height if necessary
	g) The mower housing is clogged	g) Clean the housing so that the blade moves freely
The motor performance drops	a) The grass is too high or too damp	a) Correct the cutting height
	b) The mower housing is clogged	b) Clean the housing
	c) The blade is severely worn	c) Replace the blade
Cutting is irregular	a) The blade is worn	a) Replace or sharpen the blade
	b) Wrong cutting height	b) Correct the cutting height

Useful Information

8

Technical data

Voltage:	230 V ~ 50 Hz
Power input:	1600 watts
Motor speed:	3000 rpm
Cutting width:	42 cm
Cutting height adjustment:	25-75 mm; 10 levels
Volume of catch bag:	50 litres
LpA sound pressure level:	73 dB(A)
LWA sound power level:	95 dB(A)
Vibration at the handlebars ahv:	2.5 m/s ²

Ordering replacement parts

Please quote the following data when ordering replacement parts:

- Type of machine
- Article number of the machine
- Identification number of the machine
- Replacement part number of the part required

All repairs must be carried out by authorised service centre or a qualified electrician.

Helpline No. UK/Northern Ireland 0151 6491500
Rep. Ireland 1890 946244
Model Number: 7781



Konformitätserklärung

ISC-GmbH · Eschenstraße 6 · D-94405 Landau/Isar

- D** erklärt folgende Konformität gemäß EU-Richtlinie und Normen für Artikel
- GB** declares conformity with the EU Directive and standards marked below for the article
- F** déclare la conformité suivante selon la directive CE et les normes concernant l'article
- NL** verklaart de volgende conformiteit in overeenstemming met de EU-richtlijn en normen voor het artikel
- E** declara la siguiente conformidad a tenor de la directiva y normas de la UE para el artículo
- P** declara a seguinte conformidade de acordo com a directiva CE e normas para o artigo
- S** förklarar följande överensstämmelse enl. EU-direktiv och standarder för artikeln
- IL** ilmoittaa seuraavaa Euroopan unionin direktiivien ja normien mukaista yhdenmukaisuutta tuotteelle
- N** erklærer herved følgende samsvar med EU-direktiv og standarder for artikkel
- HR** заявляє о соответствии товара следующим директивам и нормам ЕС
- HR** izjavljuje sljedeću uskladenost s odredbama i normama EU za artikl.
- RO** declară următoarea conformitate cu linia directoare CE și normele valabile pentru articolul.
- TR** ürün ile ilgili olarak AB Yönetmelikleri ve Normları gereğince aşağıdaki uyumluluk açıklama masını sunar.
- GR** δηλώνει την ακόλουθη συμφωνία σύμφωνα με την Οδηγία ΕΕ και τα πρότυπα για το προϊόν


- I** dichiara la seguente conformità secondo la direttiva UE e le norme per l'articolo
- DK** attesterer følgende overensstemmelse i henhold til EU-direktiv og standarder for produkt
- CZ** prohlašuje následující shodu podle směrnice EU a norem pro výrobek.
- H** a következő konformitást jelenti ki a terméknek vonatkozó EU-irányvonalak és normák szerint
- SK** pojednává sledečo skladnost po smernici EU in normah za artikel.
- PL** deklaruje zgodność wymienionego poniżej artykułu z następującymi normami na podstawie dyrektywy WE.
- SK** vydáva nasledujúce prehlásenie o zhode podľa smernice EU a noriem pre výrobok.
- BG** декларира следното съответствие съгласно директивите и нормите на ЕС за продукта.
- HR** заявляє про відповідність згідно з Директивою ЄС та стандартами, чинними для даного товару
- HR** deklareerib vastavuse järgnevalele EL direktiivi dele ja normidele
- LT** deklaruoja atitiktį pagal ES direktyvas ir normas straipsniui
- RS** izjavljuje sledeći konformitet u skladu s odredbom EZ i normama za artikl
- LV** Atbilstības sertifikāts apliecina zemāk minēto preču atbilstību ES direktīvām un standartiem
- IS** Samræmisýfirlýsing staðfestir eftirfarandi samræmi samkvæmt reglum Evrópubandalagsins og stöðlum fyrir vörur

Electric Lawn Mower GLM 1650

<input checked="" type="checkbox"/>	98/37/EC	<input type="checkbox"/>	87/404/EEC	
<input checked="" type="checkbox"/>	2006/95/EC	<input type="checkbox"/>	R&TTED 1999/5/EC	
<input type="checkbox"/>	97/23/EC	<input checked="" type="checkbox"/>	2000/14/EG_2005/88/EC:	L _{WM} = 93 dB; L _{WA} = 95 dB L/Ø = 42 cm
<input checked="" type="checkbox"/>	2004/108/EC	<input type="checkbox"/>	95/54/EC:	
<input type="checkbox"/>	90/396/EEC	<input type="checkbox"/>	97/68/EC:	
<input type="checkbox"/>	89/686/EEC			

EN 60335-1; EN 60335-2-77; EN 836; EN 50366; EN 55014-1;
EN 55014-2; EN 61000-3-2; EN 61000-3-11;
LGA QualiTest GmbH; KBV VI

Landau/Isar, den 30.10.2007


Weichselgartner
General-Manager


Hines
Product-Management

Art.-Nr.: 34.004.12 I.-Nr.: 01027
Subject to change without notice

Archivierung: 3400411-16-4155050

GB WARRANTY CERTIFICATE

The product described in these instructions comes with a 3 year warranty covering defects. This 3-year warranty period begins with the passing of risk or when the customer receives the product.

For warranty claims to be accepted, the product has to receive the correct maintenance and be put to the proper use as described in the operating instructions.

Your statutory rights of warranty are naturally unaffected during these 3 years.

This warranty applies in Germany, or in the respective country of the manufacturer's main regional sales partner, as a supplement to local regulations. Please note the details for contacting the customer service center responsible for your region or the service address listed below.

GB Einhell UK Ltd
Unit 5 Morpeth Wharf
Twelve Quays
Birkenhead, Wirral
CH 41 1LF

Helpline-No.: GB 0044 151649 1500
IRL 189 09 46244

GB

Given unfavorable conditions in the power supply the equipment may cause the voltage to drop temporarily. If the supply impedance "Z" at the connection point to the public power supply exceeds $0.4 + j 0.25\Omega$

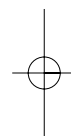
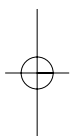
it may be necessary to take further measures before the equipment can be used as intended from this power supply. If necessary, you can ask your local electricity supply company for the impedance value.

Helpline No. UK/Northern Ireland 0151 6491500
Rep. Ireland 1890 946244
Model Number: 7781



The reprinting or reproduction by any other means, in whole or in part, of documentation and papers accompanying products is permitted only with the express consent of ISC GmbH.

© Technical changes subject to change



Helpline No. UK/Northern Ireland 0151 6491500
Rep. Ireland 1890 946244
Model Number: 7781



