

Einhell[®]

CE-CP 18/180 Li E

EN Original operating instructions
Cordless Polisher + Orbital Sander

SP Manual de instrucciones original
Pulidora/lijadora inalámbrica

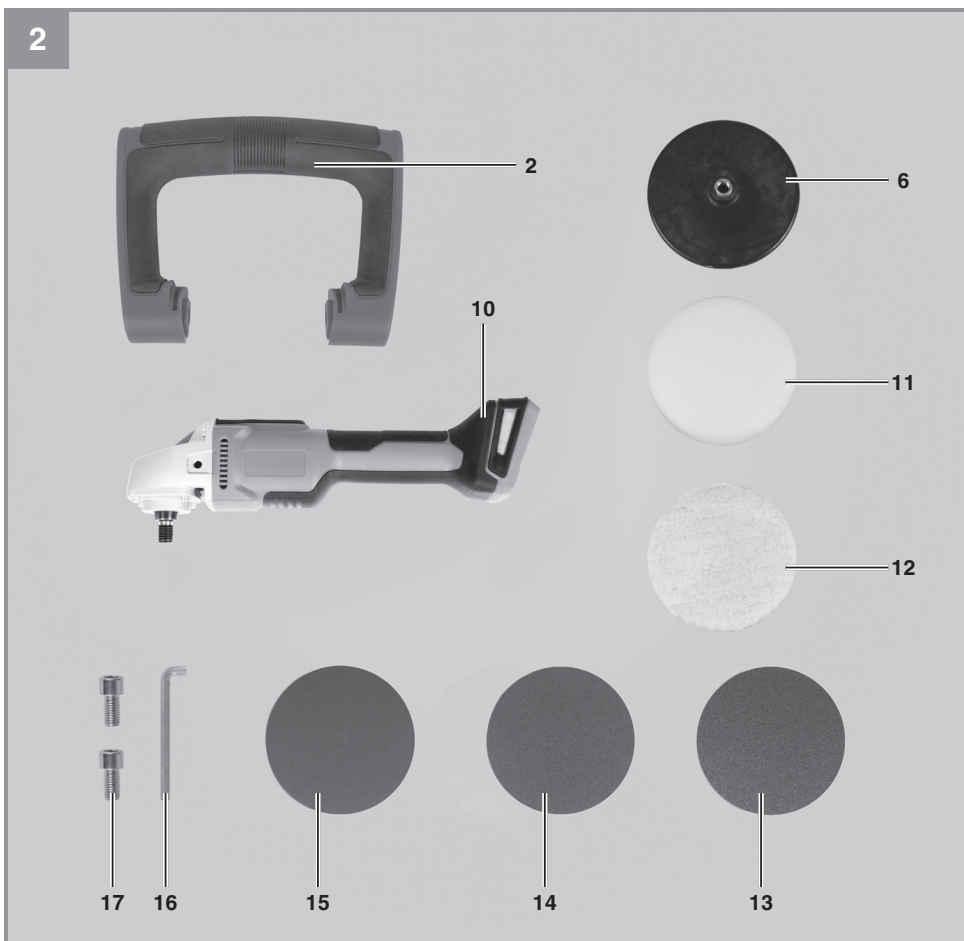
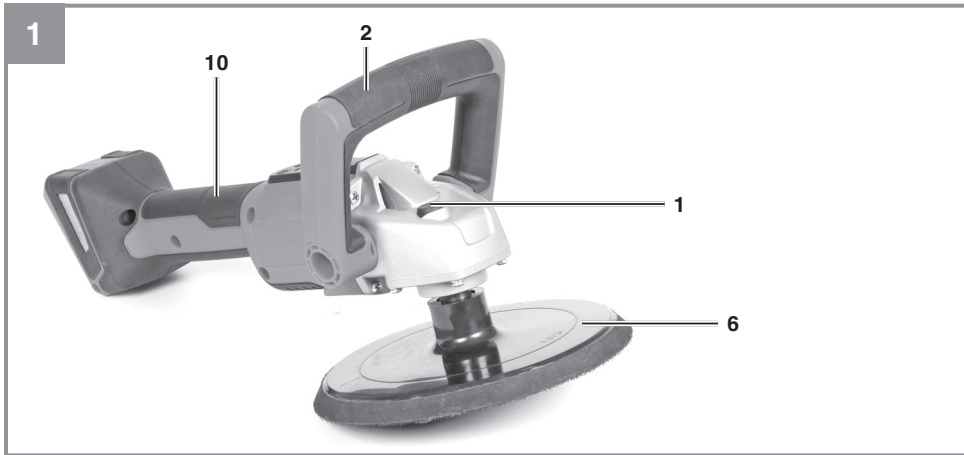
FR Traduction du mode d'emploi
d'origine
Polisseuse-meuleuse sans fil

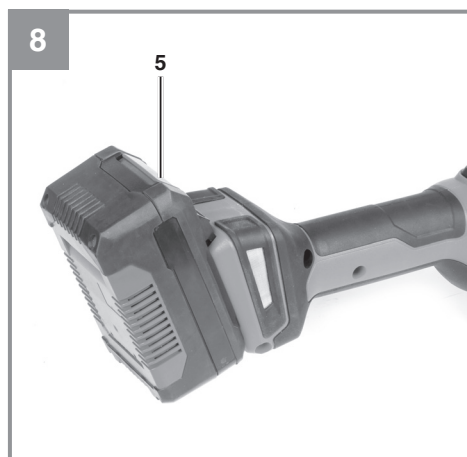
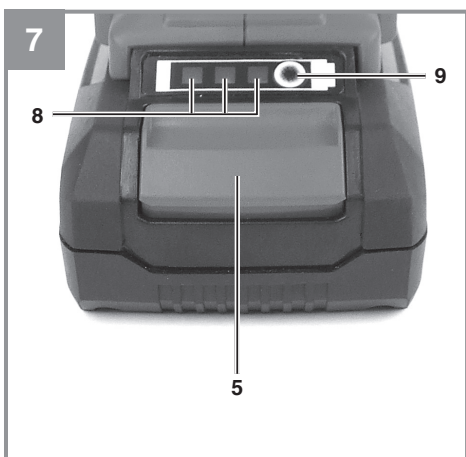
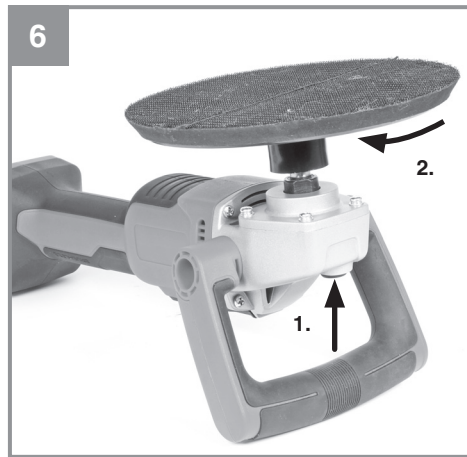
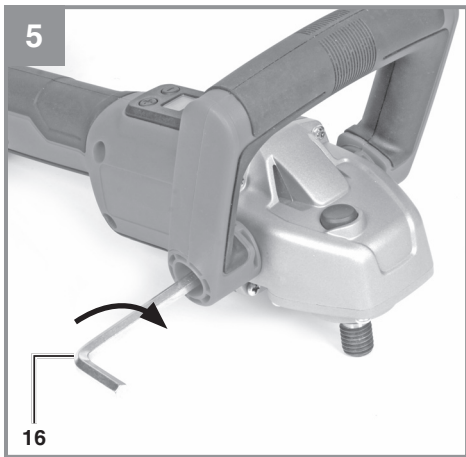
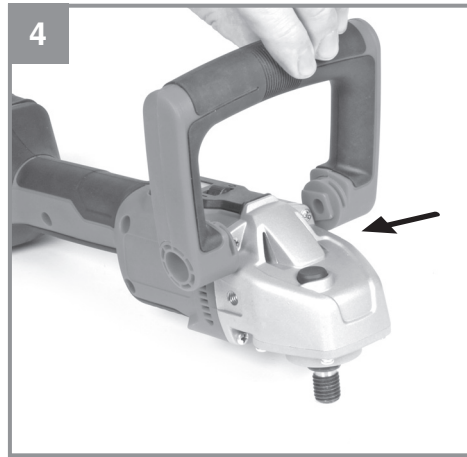
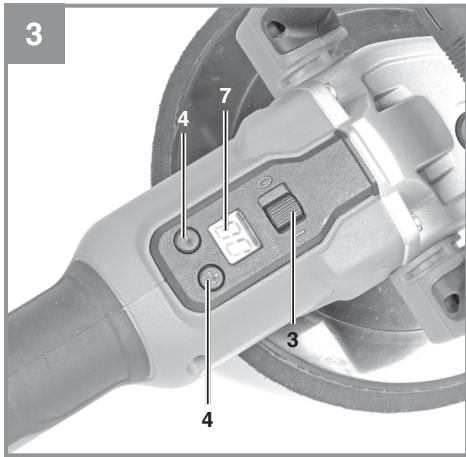


7 

Art.-Nr.: 2093325

I.-Nr.: 11019





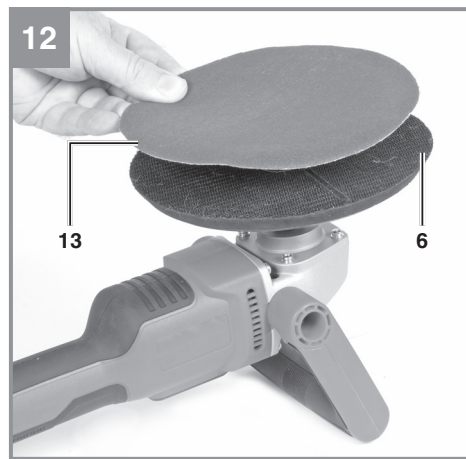
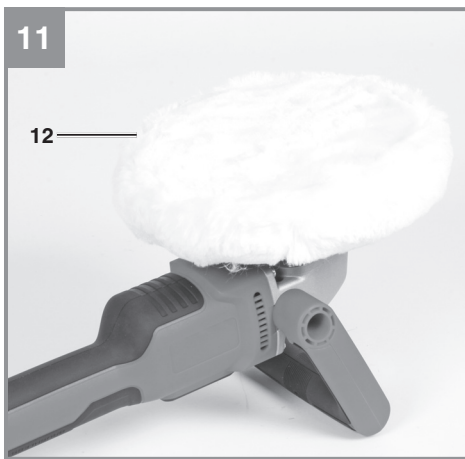
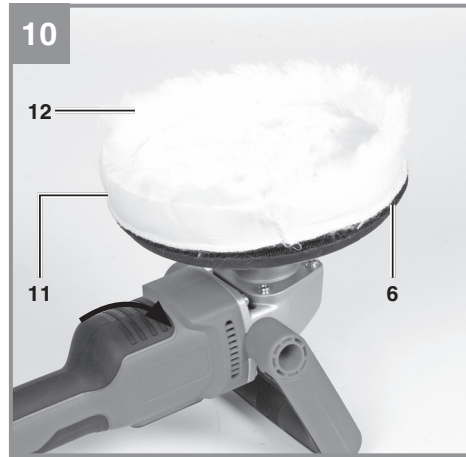
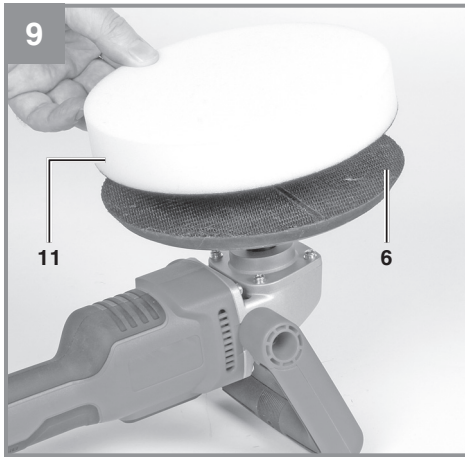


Table of contents

1. Safety information
2. Layout and items supplied
3. Intended use
4. Technical data
5. Before starting the equipment
6. Operation
7. Cleaning, maintenance and ordering spare parts
8. Disposal and recycling
9. Storage
10. Faults



Danger! - Read the operating instructions to reduce the risk of injury



Caution! Wear ear-muffs. The impact of noise can cause damage to hearing.



Caution! Wear a breathing mask. Dust which is injurious to health can be generated when working on wood and other materials. Never use the tool to work on any materials containing asbestos!



Caution! Wear safety goggles. Sparks generated during work or splinters, chips and dust emitted by the equipment can cause loss of sight.



Dangers and risks: There is a risk of injury to persons and damage to the equipment.

Children are not allowed to use this equipment. Children should be supervised to ensure that they do not play with the equipment. Children are not allowed to carry out cleaning or maintenance work. This equipment is not allowed to be used by people with limited physical, sensory or mental capacities or by those with insufficient knowledge or experience unless they are supervised or instructed by a person who is responsible for them.

DANGER!

When using the equipment, a number of safety precautions must be observed to avoid injuries and damage. Please read the complete operating instructions and safety information with due care. Keep these operating instructions in a safe place so that the information is available at all times. If you give the equipment to any other person, hand over these operating instructions and the safety information as well. We cannot accept any liability for damage or accidents which arise due to failure to follow these instructions and the safety information.

1. Safety information**DANGER!**

Read all the safety information and instructions. Failure to adhere to the safety information and instructions set out below may result in electric shock, fire and/or serious injury. **Keep all the safety information and instructions in a safe place for future use.**

General safety information for power tools

The term „power tool“ used in the safety regulations refers to power tools operated from the mains power supply (with a power cable) and to battery operated power tools (without a power cable).

1) Work area safety

- a) **Keep work area clean and well lit.**
Cluttered and dark areas invite accidents.
- b) **Do not operate power tools in explosive atmospheres, such as in the presence of flammable liquids, gases or dust.** *Power tools create sparks which may ignite the dust or fumes.*
- c) **Keep children and bystanders away while operating a power tool.** *Distractions can cause you to lose control.*

2) Electrical safety

- a) **Power tool plugs must match the outlet. Never modify the plug in any way. Do not use any adapter plugs with earthed (grounded) power tools.** *Unmodified plugs and matching outlets will reduce risk of electric shock.*
- b) **Avoid body contact with earthed or grounded surfaces such as pipes, radiators, ranges and refrigerators.** *There*

is an increased risk of electric shock if your body is earthed or grounded.

- c) **Do not expose power tools to rain or wet conditions.** *Water entering a power tool will increase the risk of electric shock.*
 - d) **Do not abuse the cord. Never use the cord for carrying, pulling or unplugging the power tool. Keep cord away from heat, oil, sharp edges or moving parts.** *Damaged or entangled cords increase the risk of electric shock.*
 - e) **When operating a power tool outdoors, use an extension cord suitable for outdoor use.** *Use of a cord suitable for outdoor use reduces the risk of electric shock.*
 - f) **If operating a power tools in a damp location is unavoidable, use a residual current device (RCD) protected supply.** *Use of an RCD reduces the risk of electric shock.*
- 3) Personal safety**
- a) **Stay alert, watch what you are doing and use common sense when operating a power tool. Do not use a power tool while you are tired or under the influence of drugs, alcohol or medication.** *A moment of inattention while operating power tools may result in serious personal injury.*
 - b) **Use personal protective equipment. Always wear eye protection.** *Protective equipment such as dust mask, non-skid safety shoes, hard hat, or hearing protection used for appropriate conditions will reduce personal injuries.*
 - c) **Prevent unintentional starting. Ensure the switch is in the off-position before connecting to power source and/or BATTERY pack, picking up or carrying the tool.** *Carrying power tools with your finger on the switch or energising power tools that have the switch on invites accidents.*
 - d) **Remove any adjusting key or wrench before turning the power tool on.** *A wrench or a key left attached to a rotating part of the power tool may result in personal injury.*
 - e) **Do not overreach. Keep proper footing and balance at all times.** *This enables better control of the power tool in unexpected situations.*
 - f) **Dress properly. Do not wear loose clothing or jewellery. Keep your hair, clothing and gloves away from moving parts.** *Loose clothes, jewellery or long hair*

- can be caught in moving parts.*
- g) **If devices are provided for the connection of dust extraction and collection facilities, ensure these are connected and properly used.** *Use of these devices can reduce dust related hazards.*
- h) **Do not let familiarity gained from frequent use of tools allow you to become complacent and ignore tool safety principles.** *A careless action can cause severe injury within a fraction of a second.*
- 4) Power tool use and care**
- a) **Do not force the power tool. Use the correct power tool for your application.** *The correct power tool will do the job better and safer at the rate for which it was designed.*
- b) **Do not use the power tool if the switch does not turn it on and off.** *Any power tool that cannot be controlled with the switch is dangerous and must be repaired.*
- c) **Disconnect the plug from the power source and/or remove the battery pack, if detachable, from the power tool before making any adjustments, changing accessories, or storing power tools.** *Such preventive safety measures reduce the risk of starting the power tool accidentally.*
- d) **Store idle power tools out of the reach of children and do not allow persons unfamiliar with the power tool or these instructions to operate the power tool.** *Power tools are dangerous in the hands of untrained users.*
- e) **Maintain power tools and accessories. Check for misalignment or binding of moving parts, breakage of parts and any other condition that may affect the power tool's operation. If damaged, have the power tool repaired before use.** *Many accidents are caused by poorly maintained power tools.*
- f) **Keep cutting tools sharp and clean.** *Properly maintained cutting tools with sharp cutting edges are less likely to bind and are easier to control.*
- g) **Use the power tool, accessories and tool bits etc., in accordance with these instructions and in the manner intended for the particular type of power tool, taking into account the working conditions and the work to be performed.** *Use of the power tool for operations different from intended could result in a hazardous situation.*
- h) **Keep handles and grasping surfaces dry, clean and free from oil and grease.** *Slippery handles and grasping surfaces do not allow for safe handling and control of the tool in unexpected situations.*
- 5) Battery tool use and care**
- a) **Recharge only with the charger specified by the manufacturer.** *A charger that is suitable for one type of battery pack may create a risk of fire when used with another battery pack.*
- b) **Use power tools only with specifically designated battery packs.** *Use of any other battery packs may create a risk of injury and fire.*
- c) **When battery pack is not in use, keep it away from other metal objects, like paper clips, coins, keys, nails, screws or other small metal objects that can make a connection from one terminal to another.** *Shorting the battery terminals together may cause burns or a fire.*
- d) **Under abusive conditions, liquid may be ejected from the battery; avoid contact. If contact accidentally occurs, flush with water. If liquid contacts eyes, additionally seek medical help.** *Liquid ejected from the battery may cause irritation or burns.*
- e) **Do not use a BATTERY pack or tool that is damaged or modified.** *Damaged or modified batteries may exhibit unpredictable behaviour resulting in fire, EXPLOSION or risk of injury.*
- f) **Do not expose a BATTERY pack or tool to fire or excessive temperature.** *Exposure to fire or temperature above 266°F (130°C) may cause explosion.*
- g) **Follow all charging instructions and do not charge the BATTERY pack or tool outside the temperature range specified in the instructions.** *Charging improperly or at temperatures outside the specified range may damage the BATTERY and increase the risk of fire.*
- 6) Service**
- a) **Have your power tool serviced by a qualified repair person using only identical replacement parts.** *This will ensure that the safety of the power tool is maintained.*
- b) **Never service damaged BATTERY packs.** *Service of BATTERY packs should only be*

performed by the manufacturer or authorized service providers.

Additional safety instructions

We pay a great deal of attention to the design of every battery pack to ensure that we supply you with batteries which feature maximum power density, durability and safety. The battery cells have a wide range of safety devices. Each individual cell is initially formatted and its electrical characteristic curves are recorded. These data are then used exclusively to be able to assemble the best possible battery packs.

Despite all the safety precautions, caution must always be exercised when handling batteries. The following points must be obeyed at all times to ensure safe use. Safe use can only be guaranteed if undamaged cells are used. Incorrect handling can cause cell damage.

Caution! Analyses confirm that incorrect use and poor care are the main causes of the damage caused by high performance batteries.

Information about the battery

1. The battery pack supplied with your cordless tool is not charged. The battery pack has to be charged before you use the tool for the first time.
2. For optimum battery performance avoid low discharge cycles. Charge the battery pack frequently.
3. Store the battery pack in a cool place, ideally at 59°F (15°C) and charged to at least 40%.
4. Lithium-ion batteries are subject to a natural ageing process. The battery pack must be replaced at the latest when its capacity falls to just 80% of its capacity when new. Weakened cells in an aged battery pack are no longer capable of meeting the high power requirements and therefore pose a safety risk.
5. Do not throw battery packs into an open fire. There is a risk of explosion!
6. Do not ignite the battery pack or expose it to fire.
7. **Do not exhaustively discharge batteries.** Exhaustive discharge will damage the battery cells. The most common cause of deep discharge is lengthy storage or non-use of partly discharged batteries. Stop working as soon as the performance of the battery falls noticeably or the electronic protection system triggers. Place the battery pack in storage only after it has been fully charged.

8. **Protect batteries and the tool from overloads.** Overloads will quickly result in overheating and cell damage inside the battery housing without this overheating actually being apparent externally.
9. **Avoid damage and shocks.** Replace batteries which have been dropped from a height of more than one meter or which have been exposed to violent shocks without delay, even if the housing of the battery pack appears to be undamaged. The battery cells inside the battery may have suffered serious damage. In this respect, please also read the waste disposal information.
10. If the battery pack suffers overloading and overheating, the integrated protective cut-off will switch off the equipment for safety reasons. Caution! Do not press the ON/OFF switch any more if the protective cut-off has actuated. This may damage the battery.
11. Use only original battery packs. The use of other batteries may result in injuries, explosion and a fire risk.
12. **Protect your rechargeable battery against moisture, rain and high humidity.** Moisture, rain and high humidity can cause dangerous cell damage. Never charge or work with batteries which have been exposed to moisture, rain or high humidity – replace them immediately.
13. If your equipment is fitted with a detachable battery, remove the battery for safety reasons after you have finished your work

Information on chargers and the charging process

1. Please check the data marked on the rating plate of the battery charger. Be sure to connect the battery charger to a power supply with the voltage marked on the rating plate. Never connect it to a different mains voltage.
2. Protect the battery charger and its cable from damage and sharp edges. Have damaged cables repaired without delay by a qualified electrician.
3. Keep the battery charger, batteries and the cordless tool out of children's reach.
4. Do not use damaged battery chargers.
5. Do not use the supplied battery charger to charge other cordless tools.
6. In heavy use the battery pack will become warm. Allow the battery pack to cool to room temperature before commencing with the charging.

7. **Do not over-charge batteries.** Do not exceed the maximum charging times. These charging times apply only to discharged batteries. Frequent insertion of a charged or partly charged battery pack will result in over-charging and cell damage. Do not leave batteries in the charger for days on end.
8. **Never use or charge batteries if you suspect that the last time they were charged was more than 12 months previously.** There is a high probability that the battery pack has already suffered dangerous damage (exhaustive discharge).
9. Charging batteries at a temperature below 50°F (10°C) will cause chemical damage to the cell and may cause a fire.
10. Do not use batteries which have heated during the charging process, as the battery cells may have suffered dangerous damage.
11. Do not use batteries which have suffered curvature or deformation during the charging process or which show other non-typical symptoms (gassing, hissing, cracking,...)
12. Never fully discharge the battery pack (recommended depth of discharge max. 80%) A complete discharge of the battery pack will lead to premature ageing of the battery cells.
13. Never charge the batteries unsupervised.

Protection from environmental influences

1. Wear suitable work clothes. Wear safety goggles.
2. **Protect your cordless tool and the battery charger from moisture and rain.** Moisture and rain can cause dangerous cell damage.
3. Do not use the cordless tool or the battery charger near vapors and inflammable liquids.
4. Use the battery charger and cordless tools only in dry conditions and an ambient temperature of 50°F to 104°F (10°C to 40°C).
5. Do not keep the battery charger in places where the temperature is liable to reach over 104°F (40°C). In particular, do not leave the battery charger in a car that is parked in the sunshine.
6. **Protect batteries from overheating.** Overloads, over-charging and exposure to direct sunlight will result in overheating and cell damage. Never charge or work with batteries which have been overheated – replace them immediately if possible.
7. **Storage of batteries, battery chargers and cordless tools.** Store the charger and your cordless tool only in dry places with an

ambient temperature of 50°F to 104°F (10°C to 40°C). Store the lithium-ion rechargeable battery in a cool and dry place at 50°F to 68°F (10°C to 20°C). Protect them from humidity and direct sunlight! Place only fully charged batteries in storage (charged at least 40%).

8. Prevent the lithium-ion battery pack from freezing. Battery packs which were stored below 32°F (0°C) for more than 60 minutes must be disposed of.
9. When handling batteries beware of electrostatic charge: Electrostatic discharges cause damage of the electronic protection system and the battery cells. Avoid electrostatic charging and never touch the battery poles.

Battery Caution + Disposal

Disposal

Should your appliance need replacement after extended use, do not dispose of it with the household refuse, but in an environmentally safe way.



Waste produced by electrical machine items should not be handled like normal household rubbish. Please recycle where recycle facilities exist. Check with your local authority or retailer for recycling advice.

Always dispose of your battery pack according to federal, state, and local regulations. Contact a recycling agency in your area for recycling locations.

⚠ CAUTION! Even discharged battery packs contain some energy. Before disposing, use electrical tape to cover the terminals to prevent the battery pack from shorting, which could cause a fire or explosion.

⚠ WARNING! To reduce the risk of injury or explosion, never burn or incinerate a battery pack even if it is damaged, dead, or completely discharged. When burned, toxic fumes and materials are emitted into the surrounding atmosphere.

1. Batteries vary according to device. Consult your manual for specific information.
2. Install only new batteries of the same type in your product (where applicable).
3. Failure to insert batteries in the correct polarity, as indicated in the battery compartment or manual, may shorten the life of the batteries or cause batteries to leak.
4. Do not mix old and new batteries.
5. Do not mix Alkaline, Standard (Carbon-Zinc),

- or Rechargeable (Nickel Cadmium, Nickel Metal Hydride, or Lithium-Ion) batteries.
6. Do not dispose of batteries in fire.
 7. Batteries should be recycled or disposed of as per state and local guidelines.

When shipping or disposing of batteries and cordless tools, always ensure that they are packed individually in plastic bags to prevent short circuits and fires.

Safety information for cordless polisher + orbital sander

Safety instructions for all operations Safety Warnings Common for Sanding, Polishing

Operations:

- a) **This power tool is intended to function as a sander or POLISHER tool. Read all safety warnings, instructions, illustrations and specifications provided with this power tool.** Failure to follow all instructions listed below may result in electric shock, fire and/or serious injury.
- b) **Operations such as grinding, wire brushing or cutting-off are not recommended to be performed with this power tool.** Operations for which the power tool was not designed may create a hazard and cause personal injury.
- c) **Do not use accessories which are not specifically designed and recommended by the tool manufacturer.** Just because the accessory can be attached to your power tool, it does not assure safe operation.
- d) **The RATED SPEED of the accessory must be at least equal to the maximum speed marked on the power tool.** Accessories running faster than their RATED SPEED can break and fly apart.
- e) **The outside diameter and the thickness of your accessory must be within the capacity rating of your power tool.** Incorrectly sized accessories cannot be adequately guarded or controlled.
- f) **Threaded mounting of accessories must match the GRINDER spindle thread. For accessories mounted by FLANGES, the arbor hole of the accessory must fit the locating diameter of the FLANGE.** Accessories that do not match the mounting hardware of the power tool will run out of balance, vibrate excessively and may cause loss of control.
- g) **Do not use a damaged accessory. Before each use inspect the accessory such as abrasive wheels for chips and cracks, backing pad for cracks, tear or excess wear, wire brush for loose or cracked wires. If power tool or accessory is dropped, inspect for damage or install an undamaged accessory. After inspecting and installing an accessory, position yourself and bystanders away from the plane of the rotating accessory and run the power tool at maximum no-load speed for one minute.** Damaged accessories will normally break apart during this test time.
- h) **Wear personal protective equipment. Depending on application, use face shield, safety goggles or safety glasses. As appropriate, wear dust mask, hearing protectors, gloves and workshop apron capable of stopping small abrasive or workpiece fragments.** The eye protection must be capable of stopping flying debris generated by various operations. The dust mask or respirator must be capable of filtering particles generated by your operation. Prolonged exposure to high intensity noise may cause hearing loss.
- i) **Keep bystanders a safe distance away from work area. Anyone entering the work area must wear personal protective equipment.** Fragments of workpiece or of a broken accessory may fly away and cause injury beyond immediate area of operation.
- j) **Hold the power tool by insulated gripping surfaces only, when performing an operation where the cutting accessory may contact hidden wiring or its own cord.**
- k) **Position the cord clear of the spinning accessory.** If you lose control, the cord may be cut or snagged and your hand or arm may be pulled into the spinning accessory.
- l) **Never lay the power tool down until the accessory has come to a complete stop.** The spinning accessory may grab the surface and pull the power tool out of your control.
- m) **Do not run the power tool while carrying it at your side.** Accidental contact with the spinning accessory could snag your clothing, pulling the accessory into your body.
- n) **Regularly clean the power tool's air vents.** The motor's fan will draw the dust inside

the housing and excessive accumulation of powdered metal may cause electrical hazards.

- o) **Do not operate the power tool near flammable materials.** Sparks could ignite these materials.

Further safety instructions for all operations Kickback and Related Warnings

Kickback is a sudden reaction to a pinched or snagged rotating wheel, backing pad, brush or any other accessory. Pinching or snagging causes rapid stalling of the rotating accessory which in turn causes the uncontrolled power tool to be forced in the direction opposite of the accessory's rotation at the point of the binding. For example, if an abrasive wheel is snagged or pinched by the workpiece, the edge of the wheel that is entering into the pinch point can dig into the surface of the material causing the wheel to climb out or kick out. The wheel may either jump toward or away from the operator, depending on direction of the wheel's movement at the point of pinching. Abrasive wheels may also break under these conditions. Kickback is the result of power tool misuse and/or incorrect operating procedures or conditions and can be avoided by taking proper precautions as given below.

- a) **Maintain a firm grip on the power tool and position your body and arm to allow you to resist kickback forces. Always use auxiliary handle, if provided, for maximum control over kickback or torque reaction during start-up.** The operator can control torque reactions or kickback forces, if proper precautions are taken.
- b) **Never place your hand near the rotating accessory.** Accessory may kickback over your hand.
- c) **Do not position your body in the area where power tool will move if kickback occurs.** Kickback will propel the tool in direction opposite to the wheel's movement at the point of snagging.
- d) **Use special care when working corners, sharp edges etc. Avoid bouncing and snagging the accessory.** Corners, sharp edges or bouncing have a tendency to snag the rotating accessory and cause loss of control or kickback.
- e) **Do not attach a saw chain woodcarving blade or toothed saw blade.** Such blades create frequent kickback and loss of control.

Additional safety instructions for Sanding Operations

Safety Warnings Specific for Sanding Operations:

- a) **Do not use excessively oversized sanding disc paper. Follow manufacturers recommendations, when selecting sanding paper.** Larger sanding paper extending beyond the sanding pad presents a laceration hazard and may cause snagging, tearing of the disc or kickback.

Additional safety instructions for polishing operations

Safety Warnings Specific for Polishing Operations:

- a) **Do not allow any loose portion of the polishing bonnet or its attachment strings to spin freely. Tuck away or trim any loose attachment strings.** Loose and spinning attachment strings can entangle your fingers or snag on the workpiece.

This equipment is not designed to be used by people (including children) with limited physical, sensory or mental capacities or those with no experience and/or knowledge unless they are supervised by a person who is responsible for their safety or they have received instructions from such a person in to how to use the equipment safely. Children must always be supervised in order to ensure that they do not play with the equipment.

SAVE THESE INSTRUCTIONS

2. Layout and items supplied

2.1 Layout

1. Spindle lock
2. Additional handle
3. On/Off switch
4. Speed control
5. Pushlock button
6. Polishing / sanding disk
7. Speed indicator
8. Battery capacity indicator
9. Battery capacity indicator button
10. Sanding and polishing machine
11. Foam polishing pad
12. Synthetic fleece bonnet
13. Abrasive paper grit 60
14. Abrasive paper grit 80

15. Abrasive paper grit 120
16. Hexagon key (6 mm)
17. Socked head screw M8 x 20 mm (2 pcs)

2.2 Items supplied

Please check that the article is complete as specified in the scope of delivery. If parts are missing, please contact our service center or the store where you made your purchase at the latest within 5 work days after purchasing the article and upon presentation of a valid bill of purchase.

- Open the packaging and take out the equipment with care.
- Remove the packaging material and any packaging and/or transportation braces (if present).
- Check to see if all the items are supplied.
- Inspect the equipment and accessories for transport damage.
- If possible, keep the packaging until the end of the guarantee period.

Danger!

The equipment and packaging material are not toys. Do not let children play with plastic bags, plastic sheets and small parts. There is a risk of choking and suffocating!

- Cordless polisher + Orbital sander
- Additional handle
- Polishing / sanding disk
- Foam polishing pad
- Synthetic fleece bonnet
- Abrasive paper grit 60/80/120
- Hexagon key
- Socket head screw (2 pcs)
- Original operating instruction with safety information

Separately available accessories

- 18V 1.5Ah P-X-C lithium-ion battery
- 18V 2.0Ah P-X-C lithium-ion battery
- 18V 2.6Ah P-X-C Plus lithium-ion battery
- 18V 3.0Ah P-X-C lithium-ion battery
- 18V 4.0Ah P-X-C lithium-ion battery
- 18V 5.2Ah P-X-C Plus lithium-ion battery
- 18V P-X-C Dual Port Fast Charger
- 18V P-X-C Fast Charger

Explore battery + charger options at einhellUSA.com

3. Intended use

The machine is designed for polishing coated surfaces and for sanding wood, iron, plastic and similar materials using the appropriate abrasive paper.

The equipment is allowed to be used only for its prescribed purpose. Any other use is deemed to be a case of misuse. The user/operator and not the manufacturer will be liable for any damage or injuries of any kind resulting from such misuse.

Misuse

All uses of the equipment that are not listed in the chapter "Intended use" are considered to be cases of misuse.

The equipment is not allowed to be used for the following purposes:

- Machining of paintwork containing lead or machining of types of wood and metal that give rise to harmful or toxic dust
- Sharpening or engraving with related attachments
- Machining of material containing asbestos
- Use in explosive areas
- Sanding of damp walls

In these cases there is a risk of injury.

The user of the equipment shall be liable for all damage to property and injury to persons caused by any misuse.

The use of any other components or any non-original components on the equipment shall render the manufacturer's warranty null and void.

Residual risks

Even when the equipment is used properly, a certain residual hazard cannot be ruled out. The following potential dangers may arise in connection with the equipment's design and construction:


- Contact with the unguarded wheel (injuries through cutting)
- Reaching into the wheel while it is still rotating (injuries through cutting)
- Catapulting of parts of the wheel (injuries through cutting or bruising)
- Catapulting of parts of the material being processed (injuries through cutting or bruising)
- Risk of fire from flying sparks
- Damage to hearing if the compulsory hearing

- protection is not used (hearing loss)
- Inhalation of abrasive particles from the material and wheel
- Electric shock upon contact with non-insulated electrical parts.

If the instructions listed in the operating instructions are not adhered to, improper handling of the equipment may result in other residual risks

Please note that our equipment has not been designed for use in commercial, trade or industrial applications. Our warranty will be voided if the equipment is used in commercial, trade or industrial businesses or for equivalent purposes.

4. Technical data

Motor power supply: 18 V 
 No load speed:..... 500-3000 rpm (min⁻¹)
 Polishing disk:..... 7 in. (Ø 180 mm)
 Mounting spindle thread:..... 5/8 -11 UNC
 Weight:..... 3.1 lbs (1.42 kg)

Wear ear-muffs.

The impact of noise can cause damage to hearing.

Reduce noise generation and vibration to a minimum!

- Use only equipment that is in perfect condition.
- Maintain and clean the equipment regularly.
- Adapt your way of working to the equipment.
- Do not overload the equipment.
- Have the equipment checked if necessary.
- Switch off the equipment when not in use.
- Wear gloves.
- Fit the handles and any optional vibration grips securely to the equipment's body.

If your hands get an unpleasant feeling or their skin becomes discolored while you are using the equipment, stop work immediately. Take long enough rests. Failure to observe enough rests can result in a hand and arm syndrome.

The level of strain should be estimated in the light of the work and use of the equipment, and sufficient rest periods must be taken accordingly. This can greatly reduce the level of strain throughout the work period. Minimize the risk of being exposed to vibrations. Look after the equipment in accordance with the instructions in

the operating manual.

If you intend to use the equipment frequently, get in touch with your dealer and buy anti-vibration accessories (grips).

Avoid using the equipment at temperatures of $t=50^{\circ}\text{F}$ (10°C) or lower. Draw up a work schedule to limit the strain caused by vibrations.

A certain level of noise nuisance is inevitable with this equipment. Carry out noise-intensive jobs at times that are acceptable and allowed. Where applicable, observe rest periods and restrict your working time to a minimum. Suitable ear protection must be worn for your own safety and for the safety of others nearby.

5. Before starting the equipment

Press the spindle lock only when the equipment is at a standstill.

5.1 Assembling the equipment (Fig. 4-6)

Important! Remove the rechargeable battery before starting the assembly work.

The equipment is supplied without batteries and without a charger.

5.2. Fitting the battery

Press the side pushlock button (5) of the battery pack as shown in Fig. 8 and push the battery pack into the mount provided. When the battery is positioned as in Fig. 8, make sure that the pushlock button latches in place! To remove the battery pack, proceed in reverse order.

6. Operation

Warning!

Always remove the battery pack before making adjustments to the equipment.

6.1 Charging the Li battery pack

The corresponding instructions can be found in the original operating instructions for your charger.

6.2 Battery capacity indicator (Fig. 7/pos. 8)

Press the battery capacity indicator switch (9). The battery capacity indicator (8) shows the charge status of the battery using 3 LEDs.

All 3 LEDs lit:

The battery is fully charged.

2 or 1 LED(s) lit:

The battery has an adequate remaining charge.

1 LED flashing:

The battery is empty, recharge the battery.

All LEDs flashing:

The battery pack has been deep-discharged and is defective. Do not re-use or charge a defective battery pack.

Secure your workpiece. Make sure that the workpiece is held securely by a clamping device or a vise.

Switching the equipment ON/OFF

The equipment is turned on (I) and off (O) with the ON/OFF switch (Fig. 3 / Item 3). However, the equipment will not start running until after the speed control has been activated (see section 6.3).

Remove the equipment from the surface you are machining before you switch it off.

6.3 Using as a polishing machine

Use only special, machine-compatible waxing and polishing agent.

When using waxing and polishing agents, observe the instructions issued by their manufacturer!

The hook-and-loop fastener enables easy changing of the polishing attachment.

IMPORTANT!

To prevent damage to the surfaces you wish to polish, be sure to observe the following instructions:

- Before polishing the automobile, wash it and keep it free of dirt.
- Make sure that the supplied polishing attachments are free of contaminants.
- Make sure that the polishing attachment is always mounted precisely in the center of the polishing/sanding disk.
- Before you start the equipment, check to ensure that the attachments are securely installed.
- Never touch the area you wish to machine with the edge of the polishing/sanding disk.

- Use the speed controller (see section 6.3) to select the speed required for your needs. The optimum operating speed depends on the material to be machined and the (polishing) agent you want to use. If necessary, carry out practical tests to establish the optimum speed.
- The polishing machine must rest fully on the surface to be polished.
- Cover over plastic parts as they might become discolored and unsightly as a result of the polishing.
- Polish only in the shade. Never polish hot painted surfaces.
- Take great care when polishing corners and edges. A coat of paint is thinnest at corners and edges. To be on the safe side, cover over the corners and edges and polish them later by hand.
- Excessive pressure will lead to poor results and premature wear of the equipment being used. Sensitive surfaces may be damaged by e.g. too high a speed or too great a pressure.

Important! Set the equipment's operating speed and allow it to reach the set speed before you place it on the surface you want to machine. This can take a few seconds depending on the speed. Particularly when working with the foamed plastic attachment, the speed may fluctuate in the lower speed ranges due to differences in surface properties (differences in friction). This is not an equipment defect.

Use the foamed plastic attachment to apply the polishing agent (Fig. 10).

- First work on the large level surfaces such as the engine hood, boot lid and roof.
- Apply a few spots of polish to the foamed plastic attachment. Press the foamed plastic attachment several times against the surface you want to polish. The polish will be pressed into the foamed plastic and onto the surface you want to polish. This will prevent the polish flying off the foamed plastic attachment when the equipment is switched on.
- Apply the polishing agent at low speed.
- Work on only small sections one by one.
- Machine the sections evenly in criss-cross manner (first vertically, then horizontally).
- Then proceed with the smaller surfaces (e.g. doors).

Finish-polishing

- Use the synthetic polishing attachment (Fig. 11) to remove the layer of polishing agent and finish the polishing work.
- To fit the synthetic polishing attachment, pull the edge upwards (Fig. 10), press the attachment onto the hook-and-loop surface of the polishing disk and then pull the edge downwards again (Fig. 11). The edge of the polishing disk is covered by the polishing attachment.
- Important! Do not exert any pressure on the polishing machine!

Care tips

- Wash your automobile at least every 2 weeks. Avoid the use of household washing agents as they might damage the paintwork and remove the wax layer.
- Wash your automobile with a clean sponge. Work from top to bottom.
- Insects, bird droppings and tar marks should be removed from the surface of the paintwork on a daily basis.
- To prevent glass cleaner getting on the paintwork, spray it on a cloth rather than directly onto the window.

6.4 Using as a sanding machine

Use the supplied sanding attachments (Fig. 12) for sanding purposes.

The hook-and-loop fastener enables easy changing of the sanding attachments.

- Place the whole surface area of the sanding disk on the material.
- Move the machine with gentle pressure over the "workpiece", making circular or transverse and linear movements.
- Use a coarse grit for coarse sanding and a finer grit for finish sanding. You can find the best grit size for the job by carrying out sanding tests.

6.5 Speed control indicator (Fig. 3)

Use the speed control to set the desired working speed.

Press the "+" button to increase the speed.

Press the "-" button to decrease the speed.

Refer to the display (7) for the set speed. Set speed = Display x 100

Important! Set the equipment's operating speed and allow it to reach the set speed before you place it on the surface you want to machine. This can take a few seconds depending on the speed.

7. Cleaning, maintenance and ordering spare parts

HAZARD!

Always take the battery out of the equipment before starting any cleaning work.

7.1 Cleaning

- Keep all safety devices, air vents and the motor housing free of dirt and dust as far as possible. Wipe the equipment with a clean cloth or blow it down with compressed air at low pressure.
- We recommend cleaning the equipment immediately each time after use.
- Clean the equipment regularly with a damp cloth and some soft soap. Do not use cleaning agents or solvents; these may be aggressive to the plastic parts in the equipment. Ensure that no water can get into the interior of the equipment. The ingress of water into an electric power tool increases the risk of an electric shock.
- Wash the polishing bonnets only by hand and let them air-dry.
- When the polishing machine is not being used it should be stored face up with the polishing bonnet removed so that the polishing disk can dry and retain its original shape.

7.2 Maintenance

There are no other parts inside the equipment which require maintenance.

7.3 Ordering replacement parts:

Service

1. **If your power tool requires service, contact an authorized Einhell USA dealer or call the Einhell USA customer service center at 1-866-EINHHELL (1-866-346-4355).** Only identical replacement parts should be utilized for repairs. This will ensure that the safety of the power tool is maintained.
2. **If the battery charger cable is damaged, it must be immediately replaced to avoid a hazard.** Contact the Einhell USA® customer service center at 1-866-EINHHELL (1-866-346-4355) for assistance.

8. Disposal and recycling

The equipment is supplied in packaging to prevent it from being damaged in transit. The raw materials in this packaging can be reused or recycled. The equipment and its accessories are made of various types of material, such as metal and plastic. Never place defective equipment in your household refuse. The equipment should be taken to a suitable collection center for proper disposal. If you do not know the whereabouts of such a collection point, you should ask in your local council offices.

9. Storage

Store the equipment and its accessories out of children's reach in a dark and dry place at above freezing temperature. The ideal storage temperature is between 41°F and 86°F (5°C and 30°C). Keep the electric tool in its original packaging.

The reprinting or reproduction by any other means, in whole or in part, of documentation and papers accompanying the products is strictly subject to the express consent of iSC GmbH.

Subject to technical changes

10. Faults

a) The equipment does not work

Check that the battery is charged and whether the charging unit is working.

b) An error code is displayed

Error code	Possible cause	Possible remedial measures
E1	<ul style="list-style-type: none"> - The rechargeable battery is subject to excessive current. - Equipment defect 	<ul style="list-style-type: none"> - Change the rechargeable battery - Have the equipment start up in idle mode
E3	<ul style="list-style-type: none"> - The equipment cannot start up because of, e.g. pressure load - Equipment defect 	<ul style="list-style-type: none"> - Check whether the equipment can start up unhindered - Change the rechargeable battery - Have the equipment start up in idle mode
E4	<ul style="list-style-type: none"> - The motor is overloaded - Equipment defect 	<ul style="list-style-type: none"> - Check whether the equipment can start up unhindered - Change the rechargeable battery - Have the equipment start up in idle mode
E5	<ul style="list-style-type: none"> - The equipment has been running for a lengthy period of time and has become hot. 	<ul style="list-style-type: none"> - Allow the equipment to cool for about 30 minutes. It will only run again when there has been a significant decrease in the temperature of the equipment again:
E6	<ul style="list-style-type: none"> - The low-voltage protection has switched off the rechargeable battery. 	<ul style="list-style-type: none"> - Change the rechargeable battery - Charge battery
E7	<ul style="list-style-type: none"> - Mechanical problem (gear unit) 	<ul style="list-style-type: none"> - Check whether the equipment can start up unhindered - Change the rechargeable battery - Have the equipment start up in idle mode
E8	<ul style="list-style-type: none"> - Mechanical problem (motor) 	<ul style="list-style-type: none"> - Check whether the equipment can start up unhindered - Change the rechargeable battery - Have the equipment start up in idle mode
E9	<ul style="list-style-type: none"> - The overvoltage protection has switched off the rechargeable battery. 	<ul style="list-style-type: none"> - Change the rechargeable battery - Check the voltage of the rechargeable battery (max. 21V)

If the equipment will not work in spite of the troubleshooting measures and the voltage supply being OK, please contact customer service (see section 7.3).

Einhell®

EINHELL CUSTOMER PROMISE

QUALITY COMES FIRST. The Einhell name is synonymous with high-performance tools and high-quality European craftsmanship. From cordless screwdrivers to electric lawn mowers, Einhell USA designs and develops state-of-the-art handheld power and garden tools for DIY enthusiasts, hobby gardeners, and handymen.

Einhell USA's quality assurance and engineering teams ensure products are subjected to stringent quality and performance tests. We know that sometimes tough tools go through tough times. In the event that you should experience any issue with your product, you have our commitment that we'll do everything we can to get you back a tool that's ready to work as hard as you do.

PRODUCT REGISTRATION:

Einhell strongly encourages you to register your purchase. You can register online at **EinhellUSA.com**. Failure to register your product purchase will not diminish your warranty rights. However, registering your purchase will allow Einhell to better serve you with any of your customer service needs.

WHAT IS COVERED?

Einhell warrants to the owner that if this Machine fails within 2 years from the date of purchase due to a defect in material or workmanship or as a result of normal wear and tear from ordinary household use, Einhell will send a replacement part or product, as needed, free of charge and with free shipping to the original purchaser. If, in Einhell's sole discretion, the failed Machine cannot be repaired with a part, Einhell will elect to either (A) send a new Machine at no charge and with free shipping or (B) refund the full purchase price to the owner.

WHO CAN SEEK WARRANTY COVERAGE?

This Warranty is extended by Einhell to the owner of this Machine (a "Machine" consists of a product powered by a motor) for residential and personal household use only. This warranty is limited to thirty (30) days from the start of original purchase of any EINHELL brand product that is used for commercial purposes, or any other income-producing purpose. Should ownership of this machine change during the coverage period, please update the Machine's owner information at **EinhellUSA.com**

WHAT IS NOT COVERED?

This warranty does not cover any product that has been subject to misuse, neglect, negligence, or accident, or that has been operated in any way contrary to the operating instructions as specified in the operator's manual. This Warranty does not cover cosmetic changes that do not affect performance.

This Warranty is only valid if the Machine is used and maintained in accordance with the instructions, warnings and safeguards contained in the owner's manual. Einhell will not be responsible for the cost of any unauthorized warranty repairs. This warranty does not cover any cost or expense incurred by the purchaser in providing substitute equipment or service during reasonable periods of malfunction or non-use of this product while waiting for a replacement part or unit under this warranty.

Wearing parts like belts, augers, chains and tines are not covered under this warranty, and can be purchased at **EinhellUSA.com** or by calling **1-866-EINHELL (1-866-346-4355)**. Batteries are covered in full for 90-days from the date of purchase.

Repair, replacement or refund of the purchase price are the exclusive remedies of purchaser and the sole liability of Einhell under this warranty. No employee or representative of Einhell is authorized to make any additional warranty or any modification to this warranty which may be binding upon Einhell. Accordingly, purchaser should not rely upon any additional statements made by any employee or representative of Einhell. In no event, whether based on contract, indemnity, warranty, tort (including negligence), strict liability or otherwise, shall Einhell be liable for any special, indirect, incidental, or consequential damages, including, without limitation, loss of profit or revenue.

Some states do not allow limits on warranties. In such states, the above limitations may not apply to you.

Outside the USA and Canada, other warranties may apply.

Índice de contenidos

1. Instrucciones de seguridad
2. Descripción del aparato y volumen de entrega
3. Uso adecuado
4. Características técnicas
5. Antes de la puesta en marcha
6. Manejo
7. Mantenimiento, limpieza y pedido de piezas de repuesto
8. Eliminación y reciclaje
9. Almacenamiento
10. Averías



Peligro! - Leer el manual de instrucciones para reducir cualquier riesgo de sufrir daños



Cuidado! Usar protección para los oídos. La exposición al ruido puede ser perjudicial para el oído.



Cuidado! Es preciso ponerse una mascarilla de protección. Puede generarse polvo dañino para la salud cuando se realicen trabajos en madera o en otros materiales. ¡Está prohibido trabajar con material que contenga asbesto!



Cuidado! Llevar gafas de protección. Durante el trabajo, la expulsión de chispas, astillas, virutas y polvo por el aparato pueden provocar pérdida de vista.



Advertencia de peligro: Peligro de accidente y de dañar el aparato.

Los niños no deben usar el aparato. Vigilar a los niños para asegurarse de que no jueguen con el aparato. Los niños no pueden limpiar ni realizar trabajos de mantenimiento en el aparato. El aparato no puede ser utilizado por personas cuyas capacidades estén limitadas física, sensorial o psíquicamente, o que no dispongan de la experiencia y/o los conocimientos necesarios a no ser que estén vigiladas o hayan recibido instrucciones de una persona que se responsabilice de ellos.

Peligro!

Al usar aparatos es preciso tener en cuenta una serie de medidas de seguridad para evitar lesiones o daños. Por este motivo, es preciso leer atentamente este manual de instrucciones/advertencias de seguridad. Guardar esta información cuidadosamente para poder consultarla en cualquier momento. En caso de entregar el aparato a terceras personas, será preciso entregarles, asimismo, el manual de instrucciones/advertencias de seguridad. No nos hacemos responsables de accidentes o daños provocados por no tener en cuenta este manual y las instrucciones de seguridad.

1. Instrucciones de seguridad**Peligro!**

Lea todas las instrucciones de seguridad e indicaciones. El incumplimiento de dichas instrucciones e indicaciones puede provocar descargas, incendios y/o daños graves. **Guarde todas las instrucciones de seguridad e indicaciones para posibles consultas posteriores.**

Instrucciones generales de seguridad para herramientas eléctricas

El término de "herramienta eléctrica" que se usa en las instrucciones de seguridad se refiere a las herramientas que funcionan en red (con cable de conexión) y con batería (sin cable de conexión).

1. Seguridad en el lugar de trabajo

- a) **Mantener limpia y bien iluminada la zona de trabajo.** *Las zonas de trabajo desordenadas o sin luz pueden conllevar accidentes.*
- b) **No trabajar con este aparato eléctrico en un entorno explosivo en el que se hallen líquidos, gases o polvos inflamables.** *Las herramientas eléctricas generan chispas que pueden inflamar el polvo o los vapores.*
- c) **Mantener alejados a niños y a otras personas fuera del alcance de la herramienta eléctrica.** *Las distracciones pueden hacer perder el control sobre el aparato.*

2. Seguridad eléctrica

- a) **El enchufe del aparato eléctrico debe ser el adecuado para la toma de corriente. El enchufe no debe ser modificado de ningún modo. No emplear adaptadores de enchufe con aparatos eléctricos puestos a tierra.** *Los enchufes sin modificar y las*

tomas de corriente adecuadas reducen el riesgo de una descarga eléctrica.

- b) **Evitar el contacto corporal con superficies con toma de tierra como tubos, calefacciones, fogones y frigoríficos.** *Existe un gran riesgo de descarga eléctrica si su cuerpo se halla puesto a tierra.*
 - c) **Mantener los aparatos eléctricos alejados de la lluvia o la humedad.** *Si entra agua en el aparato eléctrico existirá mayor riesgo de una descarga eléctrica.*
 - d) **No utilizar el cable de forma inadecuada, no utilizarlo para transportar el aparato, colgarlo o retirarlo de la toma de corriente. Mantener el cable alejado del calor, aceites, cantos afilados o partes del aparato en movimiento.** *Los cables dañados o mal enrollados aumentan el riesgo de descarga eléctrica.*
 - e) **Si se trabaja con una herramienta eléctrica al aire libre, emplear sólo alargaderas que también sean adecuadas para el exterior.** *El empleo de una alargadera apropiada para trabajos en el exterior reduce el riesgo de descarga eléctrica.*
 - f) **Si no se puede evitar tener que utilizar la herramienta eléctrica en un entorno húmedo, utilizar un dispositivo de protección diferencial.** *El uso de un dispositivo de protección diferencial reduce el riesgo de sufrir una descarga eléctrica.*
- 3. Seguridad de personas**
- a) **Prestar atención al trabajo, comprobar lo que se está haciendo y proceder de forma razonable durante el trabajo de una herramienta eléctrica. No emplear la herramienta eléctrica si se está cansado o bajo la influencia de drogas, alcohol o medicamentos.** *Una mínima falta de atención durante el uso de la herramienta eléctrica puede causar lesiones graves.*
 - b) **Llevar equipo de protección personal. Llevar siempre gafas protectoras.** *El equipo de protección (como mascarilla antipolvo, calzado de seguridad antideslizante, casco o protección auditiva) usado en las condiciones adecuadas sirve para reducir las lesiones personales.*
 - c) **Prevenir un arranque no intencionado. Asegurarse de que el interruptor se encuentre en la posición OFF antes de conectar la herramienta a la fuente eléctrica y/o BATERÍA, alzarla o transportarla.** *El transporte de herramientas eléctricas con el*

dedo en el interruptor o la activación de herramientas eléctricas con el interruptor en ON puede provocar accidentes.

- d) **Retirar las herramientas de ajuste o la llave antes de conectar la herramienta eléctrica.** *Una herramienta o llave que se haya olvidado en partes giratorias del aparato puede producir lesiones.*
 - e) **Evitar trabajar en una posición corporal inadecuada. Adoptar una posición segura y mantener en todo momento el equilibrio.** *Ello permite controlar mejor la herramienta eléctrica en situaciones inesperadas.*
 - f) **Llevar ropa de trabajo adecuada. No llevar ropa holgada ni joyas durante el trabajo. Mantener el cabello, la ropa y los guantes alejados de las piezas en movimiento.** *La ropa holgada, las joyas o los cabellos largos pueden ser atrapados por las piezas en movimiento.*
 - g) **Si el aparato permite instalar dispositivos de aspiración y recogida del polvo, es preciso asegurarse de que estén conectados y se empleen de forma correcta.** *La utilización de un aspirador de polvo puede reducir los peligros provocados por el mismo.*
 - h) **A pesar de estar muy familiarizado con el uso de las herramientas, no confiarse en exceso ni ignorar las normas de seguridad de la herramienta.** *Un descuido puede conllevar una lesión grave en milésimas de segundo.*
- 4. Empleo y tratamiento de la herramienta eléctrica**
- a) **No sobrecargar el aparato. Usar la herramienta eléctrica específica para cada trabajo.** *Con la herramienta eléctrica adecuada se trabaja mejor y con más seguridad permaneciendo dentro de la potencia indicada.*
 - b) **No usar ninguna herramienta eléctrica cuyo interruptor esté defectuoso.** *Una herramienta eléctrica que ya no pueda conectarse o desconectarse conlleva peligros y debe repararse.*
 - c) **Desconectar el enchufe de la toma de corriente y/o retirar la batería, si es desmontable, de la herramienta eléctrica antes de realizar cualquier ajuste, cambiar accesorios o almacenarla.** *Este tipo de medidas de seguridad preventivas sirve para reducir el riesgo de poner en marcha la herramienta eléctrica de manera involuntaria.*
 - d) **Guardar las herramientas eléctricas que no se usen fuera del alcance de los niños.**

No permitir el uso del aparato a personas que no estén familiarizadas con él o no hayan leído estas instrucciones. *Las herramientas eléctricas son peligrosas si las usan personas sin experiencia.*

- e) **Realizar el mantenimiento de las herramientas eléctricas y los accesorios. Comprobar que las piezas móviles no estén desajustadas ni atascadas, que las piezas no presenten rotura ni otras condiciones que puedan afectar al funcionamiento de la herramienta eléctrica.** *En caso de que la herramienta eléctrica esté dañada, es preciso que sea reparada antes de utilizarla de nuevo.* *Muchos accidentes se provocan a causa de un mantenimiento deficiente de la herramienta eléctrica.*
 - f) **Mantener limpias y afiladas las herramientas de corte.** *Las herramientas de corte bien cuidadas con cantos afilados se bloquean con menor frecuencia y pueden manejarse de forma más sencilla.*
 - g) **Respetar estas instrucciones cuando se desee utilizar la herramienta eléctrica, los accesorios, piezas de recambio, etc. Para ello, tener en cuenta las condiciones de trabajo y la tarea a ejecutar.** *El uso de herramientas eléctricas para otros fines diferentes a los previstos puede originar situaciones peligrosas.*
 - h) **Mantener asas y empuñaduras secas, limpias y libres de aceite y grasa.** *Las asas y empuñaduras resbaladizas impiden manejar con seguridad y controlar la herramienta en situaciones inesperadas.*
- 5. Empleo y tratamiento de la herramienta eléctrica**
- a) **Cargar la batería sólo en cargadores recomendados por el fabricante.** *Existe el peligro de incendio si se utiliza un cargador, indicado sólo para un tipo concreto de baterías, para otro tipo de baterías.*
 - b) **Utilizar sólo las baterías indicadas para la herramienta eléctrica en cuestión.** *El uso de otras baterías puede provocar daños y conllevar peligro de incendio.*
 - c) **Mantener cualquier batería que no se esté utilizando alejada de grapas, monedas, llaves, clavos, tornillos u otros objetos metálicos pequeños que podrían provocar un puenteo de los contactos.** *Un cortocircuito entre los contactos de la batería puede tener como consecuencia quemaduras o provocar fuego.*

- d) **Si se utiliza incorrectamente podría salir líquido de la batería. Evitar el contacto con el líquido. En caso de tocar accidentalmente el líquido, lavar la zona afectada con agua. Si el líquido penetra en los ojos, acudir a un médico. El líquido de la batería puede provocar irritaciones en la piel o quemaduras.**
- e) **No utilizar BATERÍAS ni herramientas que estén dañadas o modificadas. Las baterías dañadas o modificadas pueden manifestar comportamientos impredecibles que pueden dar lugar a incendio, EXPLOSIÓN o riesgo de lesión.**
- f) **No exponer una BATERÍA ni herramienta al fuego o a una temperatura excesiva. La exposición al fuego o a una temperatura superior a los 266°F (130°C) puede provocar una explosión.**
- g) **Seguir todas las instrucciones de carga y no cargar la BATERÍA ni herramienta fuera del margen de temperatura especificado en las instrucciones. Una carga inadecuada o a temperaturas fuera del margen especificado puede dañar la batería e incrementar el riesgo de incendio.**
- 6. Servicio**
- a) **Sólo especialistas cualificados deben reparar la herramienta eléctrica, empleando para ello únicamente piezas de repuesto originales. Esta forma de proceder garantiza la seguridad de la herramienta eléctrica.**
- b) **No reparar nunca BATERÍAS dañadas. La reparación de las BATERÍAS dañadas solo la puede llevar a cabo el fabricante o un distribuidor autorizado.**

Instrucciones de seguridad especiales

Con el fin de ofrecerte baterías con la máxima densidad de energía, larga duración y seguridad, prestamos el mayor cuidado en su montaje. Las celdas de la batería disponen de dispositivos de seguridad de varios niveles. En primer lugar se asigna el formato a cada celda y se registran sus características eléctricas. A continuación, estos datos se utilizan para agrupar las celdas y crear la mejores baterías. **A pesar de todas las medidas de seguridad, siempre es necesario tener precaución al utilizar baterías. Para un funcionamiento seguro es obligatorio tener en cuenta los siguientes puntos.**
¡El funcionamiento seguro sólo está garantizado si las celdas no están dañadas! Un manejo inadecuado puede dañar las celdas.

¡Atención! Los análisis confirman que un uso y un cuidado inadecuados son la principal causa de los daños provocados por baterías de alta potencia.

Advertencias sobre la batería

1. La batería del aparato no se suministra cargada. Antes de la primera puesta en marcha, es preciso recargarla por completo.
2. ¡Para que la batería trabaje de forma óptima evitar ciclos de descarga prolongados! Recargar la batería con frecuencia.
3. Guardar la batería en un lugar fresco, lo ideal son 59°F (15°C), y como mínimo cargada al 40%.
4. Las baterías de iones de litio están sujetas a un desgaste natural. ¡La batería debe ser sustituida como muy tarde cuando su rendimiento sea menor al 80% respecto a su estado cuando era nueva! Las celdas deterioradas de un conjunto de baterías envejecido no cumplen con los altos requisitos de rendimiento, representando un riesgo para la seguridad.
5. No tirar las baterías usadas al fuego. ¡Peligro de explosión!
6. No prender la batería ni exponerla al fuego.
7. **¡Evitar una descarga total de las baterías!** Este tipo de descarga daña las celdas de la batería. La causa más frecuente de la descarga total de la batería es el largo almacenamiento o la no utilización de baterías parcialmente descargadas. Terminar el trabajo en cuanto se aprecie que la potencia disminuye o se activa el sistema electrónico de protección. Almacenar la batería sólo tras haberla cargado completamente.
8. **¡Proteger las baterías y el aparato contra sobrecarga!** La sobrecarga conduce rápidamente a un sobrecalentamiento y daño de las celdas del interior de la carcasa de batería, sin que el sobrecalentamiento se perciba externamente.
9. **¡Evitar daños y golpes!** Sustituir inmediatamente las baterías que hayan caído desde una altura superior a un metro o que hayan sufrido golpes fuertes, incluso aunque la carcasa de la batería no parezca dañada. Las celdas que se encuentren en su interior podrían estar gravemente dañadas. Tener en cuenta también las indicaciones de eliminación.
10. En caso de sobrecarga y sobrecalentamiento, el circuito de protección integrado desconecta el aparato por motivos de seguridad.

¡Atención! Dejar de pulsar el interruptor On/Off cuando el circuito de protección haya desconectado el aparato. Podría dañar la batería.

11. Utilizar exclusivamente baterías originales. El uso de otras baterías puede provocar daños, así como explosión y peligro de incendio.
12. **Proteger la batería de la humedad, la lluvia y la humedad ambiental elevada.** La humedad, la lluvia y la humedad ambiental elevada pueden provocar daños peligrosos en las celdas. No cargar ni trabajar nunca con baterías que hayan estado expuestas a la humedad, la lluvia o humedad ambiental elevada, ¡reemplazarlas de inmediato!
13. Si el aparato está dotado de una batería extraíble, por motivos de seguridad será preciso extraerla una vez finalizado el trabajo.

Advertencias sobre el cargador y el proceso de carga

1. Observar los datos indicados en la placa de identificación del cargador. Conectar el cargador sólo a la tensión nominal indicada en la placa de características.
2. Proteger el cargador y el cable de daños y cantos afilados. Los cables dañados deben ser cambiados exclusivamente por un electricista profesional.
3. Mantener el cargador, las baterías y el aparato fuera del alcance de niños.
4. No emplear cargadores dañados.
5. No emplear el cargador suministrado para cargar otros aparatos a batería.
6. La batería se calienta bajo condiciones extremas de aplicación. Dejar que la batería se enfríe hasta alcanzar la temperatura ambiental antes de empezar a cargar.
7. **¡No cargar demasiado las baterías!** Respetar los tiempos de carga máximos. Estos tiempos de carga se aplican únicamente a baterías descargadas. Si una batería cargada o parcialmente cargada se conecta varias veces al cargador se produce una sobrecarga y un daño de las celdas. No dejar las baterías varios días en el cargador.
8. **No utilizar ni cargar nunca baterías si se tiene la sospecha de que la última carga de la batería puede haberse realizado hace más de 12 meses.** Existe una alta probabilidad de que la batería ya esté gravemente dañada (descarga total).
9. Cargar la batería a una temperatura de menos de 50°F (10°C) provoca daños químicos en las celdas y puede conllevar peligro de

incendio.

10. No utilizar baterías que se hayan calentado durante la carga, ya que sus celdas podrían dañarse peligrosamente.
11. Dejar de usar baterías que se hayan deformado o abombado durante la carga, o aquellas que presenten síntomas inusuales (desprendimiento de gases, zumbidos, chasquidos,...)
12. No descargar la batería por completo (nivel de descarga recomendado: máx. 80%). La descarga total provoca un envejecimiento prematuro de las celdas de la batería.
13. ¡No cargar nunca las baterías sin supervisión!

Protección contra influencias ambientales

1. Ponerse ropa de trabajo adecuada. Ponerse gafas de protección.
2. **Proteger el aparato y el cargador de la humedad y la lluvia.** Éstas podrían provocar daños peligrosos en las celdas.
3. No utilizar el aparato y el cargador cerca de vapores y líquidos inflamables.
4. Utilizar el cargador y el aparato a batería sólo si están secos y a una temperatura ambiente de 50°F-104°F (10-40 °C).
5. No guardar la batería en lugares que puedan alcanzar una temperatura superior a 104°F (40°C), especialmente no en un vehículo aparcado al sol.
6. **¡Proteger las baterías contra un sobrecalentamiento!** La sobrecarga, carga excesiva o la radiación solar conducen a un sobrecalentamiento y al daño de las celdas. No cargar ni trabajar en ningún caso con baterías que se hayan sobrecalentado. Sustituirlas inmediatamente.
7. **Almacenamiento de baterías, cargadores y del aparato.** Guardar siempre el cargador y el aparato en habitaciones secas con una temperatura ambiente de 50°F-104°F (10-40°C). Guardar la batería de iones de litio en un lugar fresco y seco a 50°F-68°F (10-20°C). ¡Proteger de la humedad ambiental y de la radiación solar! Guardar las baterías únicamente cuando estén cargadas (mín. al 40%).
8. Evitar que la batería de iones de litio se hiele. Deshacerse de las baterías que hayan estado guardadas a 32°F (0°C) durante más de 60 minutos.
9. Llevar cuidado con la carga electrostática al manipular baterías: las descargas electrostáticas provocan daños en el sistema electrónico de protección y las celdas de la batería. ¡Evitar por ello la carga electrostática y no tocar nunca los polos de la batería!

Precaución y eliminación de la batería

Eliminación

Si su artefacto necesita ser reemplazado luego de un uso prolongado, no lo arroje a la basura doméstica. Hágalo de una forma ecológica y segura.



Los desechos producidos por máquinas eléctricas no deben ser manipulados como basura doméstica común. Recícelos donde hayan emplazamientos de reciclaje. Consulte con las autoridades o tienda

minorista de su localidad para obtener información sobre reciclaje.

Deshágase de su batería de acuerdo con los reglamentos federales, estatales y locales. Para encontrar lugares de reciclaje, comuníquese con un servicio de reciclaje en su localidad.

⚠ ¡PRECAUCIÓN! Incluso las baterías descargadas contienen algo de energía. Antes de deshacerse de éstas, use cinta aislante para cubrir los terminales y evitar que la batería haga cortocircuito, lo cual puede causar una explosión o incendio.

⚠ ¡ADVERTENCIA! Para reducir el riesgo de lesiones personales o explosión, nunca queme o incinere una batería incluso si está dañada, inservible o completamente descargada. Al ser quemada, los humos y materiales tóxicos son emitidos a la atmósfera circundante.

1. Las baterías varían de acuerdo al dispositivo. Consulte su manual para obtener la información específica.
2. Instale solo nuevas baterías del mismo tipo en su producto (donde corresponda).
3. No insertar las baterías con la polaridad correcta, tal como se indica en el compartimiento de la batería o en el manual, puede reducir el ciclo de vida útil de las baterías o causar fugas en las baterías.
4. No combine baterías nuevas con antiguas.
5. No combine baterías alcalinas, estándar (de zinc-carbono) o recargables (de níquel-cadmio, de níquel-hidruro metálico o de iones de litio).
6. No arroje las baterías al fuego. Pueden llegar a explotar.
7. Las baterías deben ser recicladas o desechadas según los reglamentos locales y estatales.

Para el envío o la eliminación de baterías o del aparato, estos deben embalarse por separado en bolsas de plástico para evitar cortocircuitos o incendios.

Instrucciones de seguridad para Lijadora/pulidora inalámbrica

Instrucciones de seguridad para todos los trabajos

Advertencias de seguridad comunes para trabajos de lijado y pulido:

Manejo

- a) **Esta herramienta eléctrica está diseñada para funcionar como lijadora o PULIDORA. Leer todas las advertencias de seguridad, instrucciones, ilustraciones y especificaciones proporcionadas con esta herramienta eléctrica.** Si no se siguen todas las instrucciones que se indican a continuación, se pueden producir descargas eléctricas, incendios y/o lesiones graves.
- b) **No se recomienda realizar trabajos tales como esmerilado, cepillado de alambre o corte con esta herramienta eléctrica.** Los trabajos para las que la herramienta eléctrica no haya sido diseñada pueden suponer un peligro y causar lesiones personales.
- c) **No utilizar accesorios que no estén específicamente diseñados y recomendados por el fabricante de la herramienta.** Simplemente porque el accesorio se pueda conectar a la herramienta eléctrica no garantiza un funcionamiento seguro.
- d) **La VELOCIDAD NOMINAL del accesorio debe ser al menos igual a la velocidad máxima marcada en la herramienta eléctrica.** Los accesorios que vayan más rápido que su VELOCIDAD NOMINAL pueden romperse y salir disparados.
- e) **El diámetro exterior y el grosor del accesorio deben encontrarse dentro de la capacidad nominal de la herramienta eléctrica.** Los accesorios de tamaño incorrecto no se pueden proteger o controlar adecuadamente.
- f) **El montaje roscado de los accesorios debe coincidir con la rosca del husillo de la ESMERILADORA. En el caso de los accesorios montados con BRIDAS, el orificio del accesorio debe coincidir con el diámetro de fijación de la BRIDA.** Los accesorios que no coincidan con las herramientas de montaje de la herramienta eléctrica se

- desequilibrarán, vibrarán excesivamente y pueden causar pérdida de control.
- g) **No utilizar accesorios dañados. Antes de cada uso, inspeccionar el accesorio, como las ruedas abrasivas en busca de astillas y grietas, la muela abrasiva en busca de grietas, desgarros o desgaste excesivo, y el cepillo de alambre en busca de alambres sueltos o agrietados. Si se cae una herramienta eléctrica o un accesorio, inspeccionar si hay daños o instalar un accesorio que no esté dañado. Después de inspeccionar e instalar un accesorio, es preciso colocarse uno mismo y a terceros alejados del plano del accesorio giratorio y hacer funcionar la herramienta eléctrica a la máxima velocidad en vacío durante un minuto.** Los accesorios dañados normalmente se rompen durante este periodo de prueba.
- h) **Llevar equipo de protección personal. Dependiendo de la aplicación, utilizar una careta protectora, gafas o lentes de seguridad. Según corresponda, usar una máscara antipolvo, protectores auditivos, guantes y delantal de taller capaces de detener pequeños fragmentos de abrasivo o de piezas de trabajo.** La protección ocular debe ser capaz de detener los residuos voladores generados por varios trabajos. La máscara antipolvo o el respirador debe ser capaz de filtrar las partículas generadas por el trabajo que se esté realizando. La exposición prolongada a ruidos de alta intensidad puede causar pérdida de audición.
- i) **Mantener a terceras personas a una distancia segura del área de trabajo. Toda persona que entre en el área de trabajo debe usar equipo de protección personal.** Los fragmentos de la pieza de trabajo o de un accesorio roto pueden salir disparados y causar lesiones más allá del área inmediata donde se está trabajando.
- j) **Sujetar la herramienta eléctrica solo por las empuñaduras aisladas al realizar trabajos en los que el accesorio de corte pueda tocar cables eléctricos ocultos o su propio cable.**
- k) **Mantener el cable de red alejado del accesorio en movimiento.** Si se pierde el control, el cable puede cortarse o enredarse y la mano o el brazo pueden quedar pillados por el accesorio en movimiento.
- l) **No abandonar nunca la herramienta eléctrica en el suelo hasta que el accesorio se haya detenido por completo.** El accesorio en movimiento puede entrar en contacto con la superficie de manera que se pierda el control de la herramienta eléctrica.
- m) **No poner en marcha herramienta eléctrica mientras se lleve al lado.** El contacto accidental con el accesorio en movimiento podría enganchar la ropa, tirando del accesorio hacia el cuerpo.
- n) **Limpiar regularmente las rejillas de ventilación de la herramienta eléctrica.** El ventilador del motor arrastrará el polvo hacia el interior de la carcasa y la acumulación excesiva de polvo metálico puede causar riesgos eléctricos.
- o) **No poner en funcionamiento la herramienta eléctrica cerca de materiales combustibles.** Las chispas pueden llegar a incendiar estos materiales.

Más instrucciones de seguridad para todos los trabajos

Causas del retroceso y advertencias al respecto

El retroceso o contragolpe es una reacción brusca que se produce al atascarse o engancharse una rueda, una muela abrasiva, un cepillo o cualquier otro accesorio giratorio. Al atascarse o engancharse el accesorio giratorio, este se detiene bruscamente, lo que hace que la herramienta eléctrica incontrolada salga impulsada en la dirección opuesta al sentido de giro del accesorio en el punto de unión.

Por ejemplo, si una rueda abrasiva queda enganchada o atascada en la pieza de trabajo, el canto de la rueda que entra en el punto de enganche puede penetrar en la superficie del material haciendo que la rueda se salga o salga disparada. Según el sentido de giro de la rueda en dicho punto, puede que salga disparada hacia el usuario o en dirección opuesta. En estas condiciones también puede suceder que las ruedas abrasivas se rompan.

El retroceso es el resultado del uso incorrecto de la herramienta eléctrica y/o de procedimientos o condiciones de funcionamiento incorrectos y se puede evitar tomando las precauciones adecuadas que se indican a continuación.

- a) **Sujetar con firmeza la herramienta eléctrica y mantener el cuerpo y el brazo en una posición propicia para resistir las fuerzas de retroceso. Si forma parte del aparato, usar siempre la empuñadura adicional para poder soportar mejor las fuerzas del retroceso o reacción durante**

la puesta en marcha. El usuario puede controlar las fuerzas del retroceso y de reacción si toma las medidas preventivas oportunas.

- b) **No colocar nunca la mano cerca del accesorio giratorio.** El accesorio podría retroceder y lesionar la mano.
- c) **No colocar el cuerpo en el área donde la herramienta eléctrica se moverá si se produce un retroceso.** El retroceso impulsará la herramienta en dirección opuesta al movimiento de la rueda en el punto de enganche.
- d) **Tener especial precaución al trabajar esquinas, cantos afilados, etc. Evitar que el accesorio rebote o que se enganche.** En las esquinas, cantos afilados, o al rebotar, el accesorio giratorio tiende a atascarse, lo que puede hacer que se pierda el control de la herramienta y se produzca un contragolpe.
- e) **No utilizar hojas de sierra para madera ni otras hojas dentadas.** Dichas hojas son propensas a producir contragolpes y provocar una pérdida de control.

Instrucciones de seguridad adicionales para trabajos de lijado

Advertencias de seguridad específicas para trabajos de lijado:

- a) **No utilizar papel de lija demasiado grande. Seguir las recomendaciones del fabricante al seleccionar el papel de lija.** Un papel de lija más grande que se extienda más allá de la muela de lijado puede provocar lesiones y causar enganches, desgarros en el disco o contragolpe.

Instrucciones de seguridad adicionales para trabajos de pulido

Advertencias de seguridad específicas para trabajos de pulido:

- a) **No permitir que queden partes sueltas en la caperuza de pulido o que sus cordones de sujeción giren libremente. Recoger o cortar cualquier cordón de sujeción suelto.** Los cordones de sujeción sueltos y en movimiento pueden enredarse en los dedos o en la pieza de trabajo.

Este aparato no ha sido concebido para ser utilizado por personas (incluyendo niños) cuyas capacidades estén limitadas física, sensorial o psíquicamente, o que no dispongan de la experiencia y/o los conocimientos necesarios. Las personas aptas deberán recibir formación o instrucciones necesarias sobre el funcionamiento

del aparato por parte de una persona responsable para su seguridad. Vigilar a los niños para asegurarse de que no jueguen con el aparato.

GUARDE ESTAS INSTRUCCIONES

2. Descripción del aparato y volumen de entrega

2.1 Descripción del aparato

1. Bloqueo del husillo
2. Empuñadura adicional
3. Interruptor ON/OFF
4. Regulación de velocidad
5. Dispositivo de retención
6. Disco pulidor/abrasivo
7. Indicador de revoluciones
8. Indicador de capacidad de batería
9. Pulsador para indicar la capacidad de batería
10. Lijadora y pulidora
11. Disco de pulido
12. Cubierta sintética para el pulido
13. Papel abrasivo grano 60
14. Papel abrasivo grano 80
15. Papel abrasivo grano 120
16. Llave hexagonal (6 mm)
17. Tornillo de hexágono interior M8 x 20 mm (2 uds.)

2.2 Volumen de entrega

Sirviéndose de la descripción del volumen de entrega, comprobar que el artículo esté completo. Si faltase alguna pieza, dirigirse a nuestro Service Center o a la tienda especializada más cercana en un plazo máximo de 5 días laborales tras la compra del artículo presentando un recibo de compra válido.

- Abrir el embalaje y extraer cuidadosamente el aparato.
- Retirar el material de embalaje, así como los dispositivos de seguridad del embalaje y para el transporte (si existen).
- Comprobar que el volumen de entrega esté completo.
- Comprobar que el aparato y los accesorios no presenten daños ocasionados durante el transporte.
- Si es posible, almacenar el embalaje hasta que transcurra el periodo de garantía.

Peligro!

¡El aparato y el material de embalaje no son un juguete! ¡No permitir que los niños jueguen con bolsas de plástico, láminas y piezas pequeñas! ¡Riesgo de ingestión y asfixia!

- Lijadora/pulidora inalámbrica
- Empuñadura adicional
- Disco pulidor/abrasivo
- Disco de pulido
- Cubierta sintética para el pulido
- Papel abrasivo grano 60/80/120
- Llave hexagonal
- Tornillo de hexágono interior
- Manual de instrucción original con instrucciones de seguridad

Accesorios disponibles por separado

18V 1.5Ah P-X-C batería Li-Ion
 18V 2.0Ah P-X-C batería Li-Ion
 18V 2.6Ah P-X-C Plus batería Li-Ion
 18V 3.0Ah P-X-C batería Li-Ion
 18V 4.0Ah P-X-C batería Li-Ion
 18V 5.2Ah P-X-C Plus batería Li-Ion
 18V P-X-C cargador rápido de doble Puerto
 18V P-X-C cargador rápido

Explorar las opciones de batería y cargador en einhellUSA.com

3. Uso adecuado

Esta herramienta ha sido diseñada para pulir superficies lacadas, así como, utilizando el papel abrasivo correspondiente, para lijar madera, hierro, plástico y materiales similares.

Utilizar la máquina sólo en los casos que se indiquen explícitamente como de uso adecuado. Cualquier otro uso no será adecuado. En caso de uso inadecuado, el fabricante no se hace responsable de daños o lesiones de cualquier tipo; el responsable es el usuario u operario de la máquina.

Uso no adecuado

Todas las aplicaciones con el aparato que no estén mencionada en el capítulo "Uso adecuado" serán consideradas como uso no adecuado.

El aparato no se puede emplear para los siguientes fines:

- Tratamiento de pinturas con contenido de plomo, así como tipos de madera y metales que generan polvos nocivos o tóxicos

- Afilar, grabar con adaptadores pertinentes
- Lijar material que contenga asbesto
- Usar en zonas potencialmente explosivas
- Lijar en paredes húmedas

Existe peligro de sufrir lesiones.

El usuario del aparato es el responsable de los daños personales y materiales provocados por un uso inadecuado del mismo.

Si se emplean otros componentes o componentes no originales en la máquina, la garantía del fabricante perderá su validez.

Riesgos residuales


Aunque el aparato se utilice adecuadamente, no se puede excluir la existencia de un cierto riesgo. Dependiendo del tipo y construcción del aparato pueden existir los siguientes riesgos:

- Contacto con el disco desprotegido (lesión por corte)
- Tocar el disco todavía en rotación (lesión por corte)
- Proyección de partículas provenientes del disco (lesión por corte o contusión)
- Proyección de partículas del material a trabajar (lesión por corte o contusión)
- Peligro de incendio por proyección de chispas
- Daños en los oídos si no se utiliza la protección para los oídos obligatoria (pérdida de audición)
- Aspiración de partículas abrasivas del material y del disco
- Descarga eléctrica al tocar componentes eléctricos no aislados.

Si no se tienen en cuenta las instrucciones incluidas en el manual pueden presentarse otros riesgos residuales por un uso inadecuado.

Tener en consideración que nuestro aparato no está indicado para un uso comercial, industrial o en taller. No asumiremos ningún tipo de garantía cuando se utilice el aparato en zonas industriales, comerciales o talleres, así como actividades similares.

4. Características técnicas

Alimentación de tensión de motor: 18 V 
 Velocidad sin carga:..... 500-3000 rpm (min⁻¹)
 Plato de pulido: 7 plg (Ø 180 mm)
 Rosca del husillo de alojamiento:..... 5/8 -11 UNC
 Peso: 3.1 lb (1.42 kg)

Usar protección para los oídos.

La exposición al ruido puede ser perjudicial para el oído.

¡Reducir la emisión de ruido y las vibraciones al mínimo!

- Emplear sólo aparatos en perfecto estado.
- Realizar el mantenimiento del aparato y limpiarlo con regularidad.
- Adaptar el modo de trabajo al aparato.
- No sobrecargar el aparato.
- En caso necesario dejar que se compruebe el aparato.
- Apagar el aparato cuando no se esté utilizando.
- Llevar guantes.
- Montar bien en el cuerpo de la máquina los asideros y las empuñaduras antivibración opcionales.

Si se detecta una sensación extraña o una decoloración de la piel durante el uso de la máquina, interrumpir el trabajo de inmediato. Planificar suficientes descansos. Si no se respetan dichos descansos, se puede sufrir un síndrome de vibración de la mano y el brazo.

Es preciso estimar el grado de carga en función del trabajo o del empleo de la máquina y planificar así los descansos pertinentes. De este modo se puede reducir considerablemente el grado de carga durante todo el proceso de trabajo. Minimizar el riesgo al que se está expuesto durante las vibraciones. Cuidar la máquina conforme a las instrucciones en el manual.

Si la máquina se utiliza con mayor frecuencia, ponerse en contacto con el distribuidor especializado o adquirir un accesorio antivibración (empuñaduras).

Evitar el uso de la máquina a temperaturas de 50°F (10°C) o inferiores. Elaborar un plan de trabajo que ayude a limitar la carga por vibraciones.

Este aparato causa inevitablemente un cierto nivel de ruido. Realizar los trabajos en los que el ruido sea más intenso durante las horas del día en las que está permitido. Respetar las horas de

descanso y reducir la duración del trabajo al mínimo necesario. Llevar una protección adecuada para los oídos para su protección personal y para proteger a las personas que se encuentren en las inmediaciones.

5. Antes de la puesta en marcha

Presionar el bloqueo de husillo solo cuando el aparato esté parado.

5.1 Montaje del aparato (fig. 4-6)

¡Atención! Quitar la batería antes de realizar trabajos de montaje.

¡El aparato se suministra sin baterías y sin cargador!

5.2. Montaje de la batería

Presionar, según se ve en la fig. 8, el dispositivo de retención (5) de la batería e introducir la batería en el alojamiento previsto para ello. En cuanto la batería se encuentre en la posición que muestra la figura 8, asegurarse de que el dispositivo de retención se enclave. Para desmontar la batería, realizar los mismos pasos en orden inverso.

6. Manejo

¡Aviso!

Quitar siempre la batería antes de realizar ajustes en el aparato.

6.1 Cómo cargar la batería de litio

Las instrucciones correspondientes se encuentran en el manual de instrucciones original del cargador.

6.2 Indicador de capacidad de batería (fig. 7/pos. 8)

Pulsar el interruptor para acceder al indicador de capacidad de la batería (7). El indicador de capacidad de batería (6) le indica el estado de carga de la batería sirviéndose de 3 LEDs.

Los 3 LED están iluminados:

La batería está completamente cargada.

2 o 1 LED están iluminados

La batería dispone de suficiente carga residual.

1 LED parpadea:

La batería está vacía, es preciso cargarla.

Todos los LED parpadean

La batería está muy descargada y defectuosa. Está prohibido emplear y cargar una batería defectuosa.

Asegurar la pieza a trabajar. Asegurarse de que la pieza a trabajar esté fijada con un dispositivo de sujeción o un tornillo de banco para evitar que se desplace.

Conexión/desconexión del aparato

El aparato se conecta (I) o desconecta (O) mediante un interruptor ON/OFF (fig. 3 / pos. 3). Sin embargo, sólo arranca tras accionar la regulación de velocidad (ver apdo. 6.3).

Antes de desconectar el aparato, retirarlo de la superficie a trabajar.

6.3 Uso como pulidora

Utilizar únicamente ceras y abrillantadores especiales adecuados para la máquina.

¡Observar las instrucciones del fabricante de las ceras y abrillantadores que se utilicen!

Cambio sencillo de los accesorios para pulir gracias al cierre adherente.**¡ATENCIÓN!**

Para evitar daños en las superficies de la pieza es imprescindible observar los siguientes puntos:

- Antes de pulir el vehículo, lavarlo y mantenerlo libre de suciedad.
- Asegurarse de que los accesorios para pulir suministrados estén limpios durante su uso.
- Tener en cuenta que el accesorio para pulir siempre debe estar instalado exactamente en el centro del disco pulidor/ abrasivo.
- Comprobar antes de enchufar la máquina que los accesorios estén bien apretados.
- La superficie que se desea trabajar no debe tocar nunca el borde lateral del disco pulidor/ abrasivo.
- Con el regulador de revoluciones (véase apartado 6.3), elegir la velocidad necesitada para pulir en cada situación. La velocidad de trabajo máxima depende del material a trabajar y del abrillantador que se usa. De ser necesario, realizar distintas pruebas hasta dar con la velocidad adecuada.
- La pulidora tiene que estar completamente colocada sobre la superficie a pulir.

- Tapar con cinta aislante las piezas de plástico puesto que se podrían desteñir durante el pulido y ponerse feas.
- Pulir exclusivamente en la sombra y nunca pintura caliente.
- Pulir las esquinas y los cantos con mucho cuidado puesto que es donde es más fina la capa de pintura. Por si acaso, taparlos con cinta aislante y pulirlos a mano.
- Una presión excesiva conlleva un rendimiento de trabajo peor y un desgaste prematuro del accesorio utilizado. Las superficies sensibles se pueden dañar con una velocidad excesiva o si se aplica demasiada presión.

¡Importante! Ajustar la velocidad antes de la colocación en la superficie a trabajar y dejar que el aparato alcance dicha velocidad. En función de la velocidad, puede tardar unos segundos. Especialmente a la hora de trabajar con el accesorio de espuma, en los márgenes de revoluciones inferiores se pueden producir oscilaciones de velocidad debido a las distintas propiedades de las superficies (distintas fricciones). Eso no significa que haya una avería.

Para aplicar el abrillantador, utilizar el accesorio de espuma (fig. 10).

- Trabajar primero las superficies lisas y grandes, como p. ej. capó del motor, portón del maletero y techo.
- Distribuir un poco el abrillantador aplicándolo en puntos sobre el accesorio de espuma. Presionar varias veces el accesorio de espuma sobre la superficie a pulir. El abrillantador penetra en la espuma y así se aplica a la superficie a pulir. De este modo se evita que el abrillantador disponible en el accesorio de espuma salpique.
- Aplicar el abrillantador a una velocidad reducida.
- Pulir solo de una vez secciones pequeñas.
- Pulir las secciones de manera uniforme en forma de cruz (primero vertical, después horizontalmente).
- Pasar a continuación a trabajar las superficies más pequeñas (p. ej. puertas).

Pulido final

- Con el accesorio sintético para el pulido (fig. 11) se retira la capa del abrillantador finalizando así el proceso de pulido.
- Para montar el accesorio sintético para el pulido, subir el borde (fig. 10), presionar el accesorio sobre la superficie adherente del plato de pulido y volver a bajar de nuevo el borde

(fig. 11). El borde del plato de pulido queda cubierto por el accesorio para el pulido.

- ¡Atención! ¡No ejercer ninguna presión sobre la pulidora!

Consejos para cuidar la máquina

- Lavar el coche como mínimo cada dos semanas. Evitar el uso de detergentes domésticos, ya que pueden dañar la pintura y disolver la capa de lavado.
- Lavar el coche con una esponja limpia. Trabajar de arriba hacia abajo.
- Los insectos, heces de pájaro y manchas de alquitrán deberían limpiarse de la pintura a diario.
- Para que el limpiacristales no salpique la superficie pintada debería pulverizarse sobre un paño y no directamente sobre el cristal.

6.4 Uso como lijadora

Para lijar, utilizar el accesorio de lijadora suministrado (fig. 12).

Cambio sencillo del accesorio de lijadora gracias al cierre adherente.

- Apoyar toda la superficie del disco abrasivo.
- Aplicar con la máquina una presión moderada sobre la pieza y realizar movimientos longitudinales y transversales o circulares.
- Se recomienda usar un granulado de mayor tamaño para el lijado en grueso y un granulado más fino para el lijado de precisión. Se puede determinar el granulado más apropiado realizando pruebas de lijado.

6.5 Indicación de la regulación de velocidad (fig. 3)

El regulador de velocidad permite ajustar la velocidad de trabajo deseada.

Pulsando la tecla "+" se aumenta la velocidad.

Pulsando la tecla "-" se reduce la velocidad.

Se puede consultar la velocidad ajustada en el display (7). Velocidad ajustada = indicador x 100

¡Importante! Ajustar la velocidad antes de la colocación en la superficie a trabajar y dejar que el aparato alcance dicha velocidad. En función de la velocidad, puede tardar unos segundos.

7. Mantenimiento, limpieza y pedido de piezas de repuesto

Peligro!

Desenchufar la batería antes de realizar trabajos de limpieza.

7.1 Limpieza

- Reducir al máximo posible la suciedad y el polvo en los dispositivos de seguridad, las rendijas de ventilación y la carcasa del motor. Frotar el aparato con un paño limpio o soplarlo con aire comprimido manteniendo la presión baja.
- Se recomienda limpiar el aparato tras cada uso.
- Limpiar el aparato con regularidad con un paño húmedo y un poco de jabón blando. No utilizar productos de limpieza o disolventes ya que se podrían deteriorar las piezas de plástico del aparato. Es preciso tener en cuenta que no entre agua en el interior del aparato. Si entra agua en el aparato eléctrico existirá mayor riesgo de una descarga eléctrica.
- Lavar las cubiertas para el pulido solo a mano y dejarlas secar al aire.
- Si no se usa la pulidora, se debería guardar sin la cubierta y con el plato de pulido hacia arriba para que se pueda secar y mantenga su forma original.

7.2 Mantenimiento

No hay que realizar el mantenimiento a más piezas en el interior del aparato.

7.3 Pedido de piezas de repuesto:

Servicio

1. **Si su herramienta eléctrica necesita servicio, póngase en contacto con un distribuidor autorizado de Einhell USA o llame al centro de atención al cliente de Einhell USA 1-866-EINHELL (1-866-346-4355).** Utilice exclusivamente piezas de repuesto idénticas para las reparaciones. Solo así se podrá mantener la seguridad de la herramienta eléctrica.
2. **Si el cable del cargador está dañado, cámbielo de inmediato para evitar peligros.** Si necesita asistencia, llame al centro de atención al cliente de Einhell USA® al 1-866-EINHELL (1-866-346-4355).

8. Eliminación y reciclaje

El aparato está protegido por un embalaje para evitar daños producidos por el transporte. Este embalaje es materia prima y, por eso, se puede volver a utilizar o llevar a un punto de reciclaje. El aparato y sus accesorios están compuestos de diversos materiales, como, p. ej., metal y plástico. Los aparatos defectuosos no deben tirarse a la basura doméstica. Para su eliminación adecuada, el aparato debe entregarse a una entidad recolectora prevista para ello. En caso de no conocer ninguna, será preciso informarse en el organismo responsable del municipio.

9. Almacenamiento

Guardar el aparato y sus accesorios en un lugar oscuro, seco, protegido de las heladas e inaccesible para los niños. La temperatura de almacenamiento óptima se encuentra entre los 41°F y 86°F (5 y 30 °C). Guardar la herramienta eléctrica en su embalaje original.

Sólo está permitido copiar la documentación y documentos anexos del producto, o extractos de los mismos, con autorización expresa de iSC GmbH.

Nos reservamos el derecho a realizar modificaciones técnicas

10. Averías

a) El aparato no funciona

Comprobar que la batería esté cargada y que el cargador funcione.

b) Se muestra un código de fallo

Código de fallo	Posibles causas	Posibles remedios
E1	<ul style="list-style-type: none"> - La batería está sometida a una corriente excesiva. - Fallo del aparato 	<ul style="list-style-type: none"> - Cambiar la batería - Dejar que el aparato funcione en marcha en vacío
E3	<ul style="list-style-type: none"> - El aparato no puede marchar debido, p. ej. a una presión excesiva - Fallo del aparato 	<ul style="list-style-type: none"> - Comprobar si puede marchar libremente - Cambiar la batería - Dejar que el aparato funcione en marcha en vacío
E4	<ul style="list-style-type: none"> - El motor está sobrecargado - Fallo del aparato 	<ul style="list-style-type: none"> - Comprobar si puede marchar libremente - Cambiar la batería - Dejar que el aparato funcione en marcha en vacío
E5	<ul style="list-style-type: none"> - El aparato lleva mucho tiempo en marcha y se ha calentado. 	<ul style="list-style-type: none"> - Dejar que el aparato se enfríe durante unos 30 minutos. Vuelve a marchar cuando la temperatura haya bajado considerablemente.
E6	<ul style="list-style-type: none"> - La protección contra subtensión ha apagado la batería. 	<ul style="list-style-type: none"> - Cambiar la batería - Cargar la batería
E7	<ul style="list-style-type: none"> - Problema mecánico (engranaje) 	<ul style="list-style-type: none"> - Comprobar si puede marchar libremente - Cambiar la batería - Dejar que el aparato funcione en marcha en vacío
E8	<ul style="list-style-type: none"> - Problema mecánico (engranaje) 	<ul style="list-style-type: none"> - Comprobar si puede marchar libremente - Cambiar la batería - Dejar que el aparato funcione en marcha en vacío
E9	<ul style="list-style-type: none"> - La protección contra sobretensión ha apagado la batería. 	<ul style="list-style-type: none"> - Cambiar la batería - Comprobar la tensión en la batería (máx. 21 V)

En caso de que el aparato no funcione a pesar de haber reparado los fallos y de haber tensión, ponerse en contacto con el servicio de atención al cliente, véase apartado 7.3.

Einhell®

LA PROMESA DE EINHELL AL CLIENTE

LO PRIMERO ES LA CALIDAD. El nombre de Einhell es sinónimo de herramientas de alto rendimiento y manufactura europea de alta calidad. Desde destornilladores inalámbricos hasta cortacéspedes eléctricos, Einhell USA diseña y desarrolla innovadoras herramientas para jardinería y eléctricas de mano para amantes del DIY, jardineros aficionados y manitas.

Los equipos de aseguramiento de la calidad y de ingenieros de Einhell USA garantizan que los productos se sometan a las pruebas más exigentes en materia de calidad y rendimiento. Sabemos que incluso las herramientas más resistentes pueden sufrir complicaciones. Si nota alguna anomalía en su producto, le aseguramos que haremos todo lo posible para devolverle una herramienta capaz de trabajar satisfaciendo sus exigencias.

REGISTRO DEL PRODUCTO:

Einhell le recomienda encarecidamente que registre su compra. Puede registrarla online en **EinhellUSA.com**. En caso de no hacerlo, el producto comprado no perderá los derechos de garantía. No obstante, registrando su compra permite que Einhell le preste un mejor servicio de atención al cliente cuando lo necesite.

¿QUÉ CUBRE?

Einhell garantiza al propietario que, si esta máquina falla en un plazo de 2 años a partir de la fecha de compra debido a un defecto en el material, en la manufactura o como resultado de un desgaste normal del uso doméstico ordinario, Einhell le enviará una pieza o un producto de repuesto, según se necesite, de manera gratuita y sin gastos de envío al comprador original. Si, a criterio exclusivo de Einhell, la máquina averiada no se puede reparar con una pieza, Einhell decidirá si a) envía una nueva máquina de manera gratuita y sin gastos de envío, o b) reembolsa al propietario el importe completo de la compra.

¿QUIÉN PUEDE OBTENER COBERTURA DE GARANTÍA?

Einhell hace entrega de la presente garantía al propietario de esta máquina (una "máquina" consiste en un producto alimentado por un motor) para un uso exclusivamente doméstico y privado. Esta garantía está limitada a treinta (30) días a partir de la fecha de compra original de cualquier producto de la marca EINHELL que se use para fines comerciales o cualquier otro fin que produzca beneficios. Si la máquina cambia de propietario durante el periodo de cobertura, actualice la información del propietario de la máquina en **EinhellUSA.com**

¿QUÉ NO CUBRE?

Esta garantía no cubre ningún producto que haya sufrido un uso indebido, negligencia, o accidente, o que haya sido operado de forma contraria a las instrucciones de uso especificadas en el manual de servicio. La presente

garantía no cubre cambios estéticos que no afecten al funcionamiento.

Esta garantía solo será válida si la máquina se usa y mantiene conforme a las instrucciones, advertencias e instrucciones de seguridad indicadas en el manual de servicio. Einhell no se hará responsable del coste de ninguna reparación de garantía no autorizada. Esta garantía no cubre ningún costo o gasto incurrido por el comprador al proporcionar equipos sustitutos o servicio durante períodos razonables de avería o no utilización de este producto, mientras se espera por una pieza de repuesto o nuevo producto conforme a esta garantía.

La garantía no cubre piezas de desgaste como correas, brocas, cadenas ni dientes, que se pueden comprar en **EinhellUSA.com** o llamando al **1-866-EINHELL (1-866-346-4355)**. Las baterías están completamente cubiertas durante 90 días a partir de la fecha de compra.

La reparación, sustitución o el reembolso del precio de compra constituyen compensaciones exclusivas del comprador y única responsabilidad de Einhell conforme a esta garantía. Ningún empleado ni representante de Einhell está autorizado a realizar ninguna garantía adicional ni modificación alguna a la presente garantía que pueda ser vinculante para Einhell. Por consiguiente, el comprador no deberá ampararse en ninguna declaración adicional hecha por ningún empleado o representante de Einhell. Einhell no se hace responsable en ningún caso, ya se base en el contrato, indemnización, garantía, agravio (incluyendo negligencia), responsabilidad absoluta o de otro tipo, de ningún daño especial, indirecto, accidental o consecuentes incluyendo, sin limitaciones, la pérdida de beneficios o ingresos.

Algunos estados no permiten límites en las garantías. En dichos estados, no se aplicarán las limitaciones expuestas anteriormente.

Fuera de EE. UU. y Canadá se aplicarán otras garantías.

Sommaire

1. Consignes de sécurité
2. Description de l'appareil et contenu de l'emballage
3. Utilisation conforme
4. Caractéristiques techniques
5. Avant la mise en service
6. Fonctionnement
7. Nettoyage, entretien et commande de pièces de rechange
8. Élimination et revalorisation
9. Conservation
10. Défaillances



Danger! - Lire le mode d'emploi pour diminuer le risque de blessures



Attention ! Portez une protection auditive. Le bruit peut provoquer une perte d'acuité auditive.



Attention ! Portez un masque anti-poussières. Des poussières nocives peuvent être générées lors des travaux avec le bois et autres matériaux. Ne travaillez pas avec un matériau contenant de l'amiante !



Attention ! Portez des lunettes de protection. Les étincelles créées pendant le travail ou les éclats, les copeaux et les poussières sortant de l'appareil peuvent entraîner la perte de la vue.



Mention de danger : Risque de blessure et d'endommagement de l'appareil.

Cet appareil ne peut pas être utilisé par les enfants. Les enfants doivent être surveillés pour qu'ils ne jouent pas avec l'appareil. Ne confiez pas le nettoyage et l'entretien aux enfants. L'appareil ne doit pas être utilisé par les personnes avec les capacités physiques, sensorielles ou mentales réduites ni par les personnes avec les connaissances ou l'expérience insuffisantes, à moins qu'elles ne soient surveillées ou instruites par la personne ayant autorité sur eux.

Danger !

Certaines mesures de sécurité doivent être respectées pendant l'utilisation des appareils pour empêcher les blessures et les dommages. Par conséquent, lisez attentivement le présent mode d'emploi / les consignes de sécurité. Conservez-les bien pour avoir les informations toujours à la portée de la main. Si vous devez passer l'appareil à d'autres personnes, veuillez leur remettre également le présent mode d'emploi / les consignes de sécurité. Nous ne sommes pas tenus des accidents ou dommages survenus à cause de non-respect du présent mode d'emploi et des consignes de sécurité.

1. Consignes de sécurité**Danger !**

Lisez toutes les consignes de sécurité et instructions. Le non-respect des consignes de sécurité et des instructions peut causer une électrocution, un incendie et / ou de graves blessures. **Conservez toutes les consignes de sécurité et instructions pour l'avenir.**

Consignes générales de sécurité pour les outils électriques

Le terme « outil électrique » utilisé dans les consignes de sécurité se réfère à des outils électriques alimentés par le secteur (avec câble d'alimentation) et à des outils électriques alimentés par la batterie (sans câble d'alimentation).

1. Sécurité du lieu de travail

- a) **Maintenez votre espace de travail propre et bien éclairé.** *Le désordre ou les espaces de travail non éclairés peuvent provoquer des accidents.*
- b) **Ne travaillez pas avec l'outil électrique dans une atmosphère explosible contenant des liquides, des gaz ou des poussières combustibles.** *Les appareils électriques génèrent des étincelles pouvant enflammer la poussière ou les vapeurs.*
- c) **Tenez à distance les enfants et autres personnes lors de l'utilisation de l'appareil électrique.** *En cas de distraction, vous pouvez perdre le contrôle de l'appareil.*

2. Sécurité électrique

- a) **La fiche de raccordement de l'appareil électrique doit être adaptée à la prise. La fiche ne doit être modifiée en aucune façon. N'utilisez pas de fiche d'adaptateur avec les outils électriques mis à la terre.** *Les fiches non modifiées et les prises adaptées diminuent le risque d'une électrocution.*
 - b) **Évitez le contact physique avec les surfaces mises à la terre, comme celles de conduits, des chauffages, des cuisinières et des réfrigérateurs.** *Il existe un risque élevé d'électrocution lorsque votre corps est mis à la terre.*
 - c) **Gardez les appareils électriques à l'abri de la pluie ou de l'humidité.** *La pénétration de l'eau dans un appareil électrique augmente le risque d'une électrocution.*
 - d) **Ne détournez pas le câble de sa fonction pour porter ou pour accrocher l'appareil électrique ou pour retirer la fiche de la prise. Gardez le câble à l'abri de la chaleur, de l'huile, des bords coupants ou des éléments mobiles de l'appareil.** *Les câbles endommagés ou enchevêtrés augmentent le risque d'une électrocution.*
 - e) **Si vous travaillez avec un appareil électrique dehors, utilisez uniquement une rallonge adaptée à l'usage à l'extérieur.** *L'utilisation d'une rallonge adaptée à l'usage à l'extérieur diminue le risque d'une électrocution.*
 - f) **Si l'appareil électrique doit être utilisé dans un environnement humide, utilisez un disjoncteur de protection à courant de défaut.** *L'utilisation d'un disjoncteur de protection à courant de défaut diminue le risque d'une électrocution.*
- 3. Sécurité des personnes**
- a) **Soyez attentif, prenez garde à ce que vous faites et soyez raisonnable en travaillant avec un outil électrique. N'utilisez pas un appareil électrique si vous êtes fatigué ou si vous vous trouvez sous l'effet de drogues, d'alcool ou de médicaments.** *Un instant d'inattention lors de l'utilisation de l'appareil électrique peut entraîner de graves blessures.*
 - b) **Utiliser l'équipement de protection individuelle. Porter toujours une protection des yeux.** *L'équipement de protection, tel que le masque anti-poussière, les chaussures de sécurité antidérapantes, le casque protecteur ou la protection auditive utilisés dans des*

conditions appropriées, permet de réduire les dommages corporels.

- c) **Éviter tout démarrage non intentionnel. S'assurer que le bouton marche-arrêt est en position OFF avant de connecter la source de courant et/ou la BATTERIE, de prendre et de transporter l'outil.** *Transporter des outils électriques avec votre doigt sur le bouton marche-arrêt ou mettre sous tension des outils électriques dont le bouton marche-arrêt est position ON peut causer des accidents.*
 - d) **Avant d'allumer l'outil électrique, retirez les outils de réglage ou les clés.** *Un outil ou une clé se trouvant dans un élément tournant de la machine peut entraîner des blessures.*
 - e) **Évitez une posture anormale. Ayez un appui stable et gardez l'équilibre en permanence.** *Vous pouvez ainsi mieux contrôler l'outil électrique dans des situations imprévues.*
 - f) **Portez des vêtements appropriés. Ne portez pas de vêtements amples ni de bijoux. Gardez les cheveux, les vêtements et les gants à distance des éléments mobiles.** *Des vêtements amples, bijoux ou longs cheveux peuvent être happés par les éléments mobiles.*
 - g) **Si des dispositifs d'aspiration ou de récupération des poussières peuvent être montés, assurez-vous qu'ils sont connectés et peuvent être utilisés correctement.** *L'utilisation d'une aspiration des poussières peut diminuer les risques causés par la poussière.*
 - h) **La familiarité acquise par l'utilisation fréquente des outils ne doit pas laisser place à la complaisance et à l'ignorance des principes de sécurité de l'outil.** *Une action imprudente peut causer de graves blessures en une fraction de seconde.*
- 4. Utilisation et traitement de l'outil électrique**
- a) **Ne surchargez pas l'appareil. Utilisez pour votre travail l'outil électrique adéquat.** *Vous travaillez mieux et de manière plus sûre avec un outil électrique approprié dans la plage de puissance indiquée.*
 - b) **N'utilisez pas un outil électrique avec un interrupteur défectueux.** *Un outil électrique qui ne peut plus être allumé ou éteint est dangereux et doit être réparé.*
- c) **Débrancher la fiche de la source électrique et / ou retirer le bloc de piles de l'outil électrique, s'il est amovible, avant de procéder à des ajustements, remplacer des accessoires ou ranger les outils électriques.** *De telles mesures préventives réduisent le risque de démarrage intempestif de l'outil électrique.*
 - d) **Conservez les outils électriques non utilisés hors la portée des enfants. Ne permettez pas aux personnes qui ne sont pas familiarisées avec cet appareil ou qui n'ont pas lu ces instructions de l'utiliser.** *Les outils électriques sont dangereux lorsqu'ils sont utilisés par des personnes inexpérimentées.*
 - e) **Entretien des outils électriques et les accessoires.** *Vérifier la dérive d'alignement ou l'attache des pièces mobiles, la rupture des pièces et s'assurer qu'aucun autre problème peut affecter le bon fonctionnement de l'outil électrique. Faire réparer l'outil endommagé avant l'utilisation.* *De nombreux accidents sont dus au mauvais entretien des outils électriques.*
 - f) **Maintenez vos outils de coupe aiguisés et propres. Les outils de coupe aux bords tranchants bien soignés se coincent moins et sont plus aisés à guider.**
 - g) **Utilisez l'outil électrique, les accessoires, les outils utilisés, etc. conformément au présent mode d'emploi. Tenez compte des conditions de travail et de l'activité à réaliser.** *L'utilisation des outils électriques pour des usages autres que prévus peut entraîner des situations dangereuses.*
 - h) **Garder les poignées et les surfaces de prise sèches, propres et exemptes d'huile et de graisse.** *Les poignées et surfaces de prise glissantes ne permettent pas d'effectuer une manipulation et un contrôle de l'outil en toute sécurité dans des situations imprévues.*
- 5. Utilisation et traitement de l'outil sans fil**
- a) **Chargez les batteries uniquement dans les chargeurs recommandés par le fabricant.** *L'utilisation d'un chargeur pour des batteries non appropriées présente un risque d'incendie.*
 - b) **Utilisez dans les outils électriques uniquement les batteries prévues à cet effet.** *L'utilisation d'autres batteries peut entraîner des blessures et le risque d'incendie.*
 - c) **Conservez la batterie non utilisée à distance des trombones, pièces de monnaie,**

clés, clous, vis ou autres menus objets en métal susceptibles de provoquer un pontage des contacts. *Un court-circuit entre les contacts de la batterie peut entraîner des brûlures ou le feu.*

- d) **En cas d'utilisation incorrecte, un liquide peut s'échapper de la batterie. Ne le touchez pas. Rincer à l'eau en cas de contact fortuit. Si le liquide entre en contact avec les yeux, consultez également le médecin.** *Le liquide s'échappant de la batterie peut causer des irritations cutanées ou des brûlures.*
- e) **Ne pas utiliser une BATTERIE ou un outil endommagé(e) ou modifié(e).** *Les batteries endommagées ou modifiées peuvent agir de manière imprévisible et donner lieu à un incendie, une EXPLOSION ou un risque de blessure.*
- f) **Ne pas exposer une BATTERIE ou un outil au feu ou à une température excessive.** *Une exposition au feu ou à une température supérieure à 266°F (130°C) peut causer une explosion.*
- g) **Suivre toutes les instructions de charge et ne pas charger la BATTERIE ou l'outil en dehors de la plage de température spécifiée dans les instructions.** *Un mauvais chargement ou un chargement à des températures en dehors de la plage spécifiée peut endommager la BATTERIE et augmenter les risques d'incendie.*
6. **Service**
- a) **Faites réparer votre outil électrique uniquement par des spécialistes qualifiés et uniquement avec des pièces de rechange d'origine.** *Cela garantit le maintien de la sécurité de l'outil électrique.*
- b) **Ne jamais entretenir des BATTERIES endommagées.** *L'entretien des BATTERIES doit être effectué uniquement par le fabricant ou par des prestataires de service autorisés.*

Consignes spécifiques de sécurité

Nous construisons chaque pack de batterie avec le plus grand soin possible pour pouvoir vous transmettre les batteries avec la densité énergétique, la durabilité et la sécurité maximales. Les cellules de batterie sont munies de dispositifs de sécurité de plusieurs niveaux. Chaque cellule individuelle est d'abord formatée, et leurs courbes caractéristiques sont enregistrées. Ensuite, ces données sont utilisées pour pouvoir regrouper les meilleures batteries possible.

Malgré toutes les mesures de sécurité, il faut toujours être prudent en maniant les batteries. Les points suivants doivent être impérativement respectés pour assurer le fonctionnement sûr.

Le fonctionnement sûr n'est possible qu'avec des cellules intactes ! Une manipulation incorrecte endommage les cellules.

Attention ! Des analyses confirment que l'utilisation gravement inappropriée et des soins incorrects constituent la cause principale des dommages dus aux batteries haute performance.

Consignes concernant les batteries

1. Le pack de batterie de l'appareil sans fil n'est pas chargé à la livraison. Par conséquent, la batterie doit être chargée avant la première mise en service.
2. Évitez des cycles de décharge à plat pour garantir la performance maximale de la batterie ! Chargez souvent votre batterie.
3. Conservez votre batterie au frais, au mieux à 59 °F (+15 °C), et chargée d'au moins à 40 %.
4. Les batteries Lithium-Ion sont sujettes au vieillissement naturel. La batterie doit être remplacée au plus tard lorsque la capacité de la batterie ne correspond plus qu'à 80 % de l'état neuf. Les cellules affaiblies dans un pack de batterie vieilli ne tiennent plus la tête aux exigences élevées en terme de performance et présentent ainsi un risque de sécurité.
5. Ne jetez pas les batteries usées dans le feu ouvert. Risque d'explosion !
6. Ne pas allumer la batterie et ne pas l'exposer à la combustion.
7. **Ne pas décharger complètement la batterie !** La décharge complète endommage les cellules de la batterie. La cause la plus fréquente de la décharge complète du pack de batterie constitue un stockage ou non-utilisation prolongés des batteries à moitié chargées. Terminez l'opération dès que la puissance diminue visiblement ou la protection électronique réagit. Ne conservez la batterie que complètement chargée.
8. **Protéger les batteries et l'appareil contre la surcharge !** Une surcharge provoque rapidement la surchauffe et l'endommagement des cellules à l'intérieur du boîtier de batterie, sans que cela puisse se voir de l'extérieur.
9. **Évitez les détériorations et les chocs !** Remplacez sur-le-champ les batteries ayant

chuté d'une hauteur de plus d'un mètre ou ayant été exposées à des coups violents, même si le boîtier du pack de batterie semble intact. Les cellules de la batterie peuvent être sérieusement endommagées à l'intérieur. Respectez à cet égard également les consignes d'élimination.

10. En cas de surcharge et de surchauffe, le circuit de protection intégré éteint l'appareil pour des raisons de sécurité.

Attention ! N'actionnez plus l'interrupteur marche / arrêt lorsque le circuit de protection a éteint l'appareil. Cela peut endommager la batterie.

11. N'utilisez que des batteries d'origine. L'utilisation d'autres batteries peut entraîner des blessures, une explosion et le risque d'incendie.
12. **Protégez votre batterie de l'humidité, de la pluie et de l'humidité de l'air élevée.** L'humidité, la pluie et l'humidité de l'air élevée peuvent endommager dangereusement les cellules. En aucun cas, ne chargez ni ne travaillez avec la batterie qui a été exposée à l'humidité, à la pluie ou à l'humidité de l'air élevée – remplacez-les immédiatement !
13. Si votre appareil est équipé d'une batterie amovible, retirez-la de votre appareil à la fin de votre travail pour des raisons de sécurité.

Consignes concernant le chargeur et la charge

1. Tenez compte des informations indiquées sur la plaque signalétique du chargeur. Raccordez le chargeur uniquement à la tension d'alimentation indiquée sur la plaque signalétique.
2. Protégez le chargeur et le fil contre l'endommagement et les bords coupants. Les câbles endommagés doivent être immédiatement remplacés par un électricien.
3. Protéger le chargeur, les batteries et l'appareil sans fil contre les enfants.
4. Ne pas utiliser des chargeurs endommagés.
5. N'utilisez le chargeur fourni pour charger d'autres appareils sans fil.
6. En cas de forte sollicitation, le pack de batterie se réchauffe. Laissez refroidir le pack de batterie à la température ambiante avant le chargement.
7. **Ne pas surcharger les batteries !** Respectez les durées maximales du chargement. Ces durées de chargement s'appliquent uniquement aux batteries déchargées. Le branchement répété d'une batterie chargée ou

partiellement chargée entraîne la surcharge et l'endommagement des cellules. Ne pas laisser les batteries insérées dans le chargeur pendant plusieurs jours.

8. **N'utilisez ni chargez pas les batteries que vous supposez avoir été chargées pour la dernière fois depuis plus de 12 mois.** Il est hautement probable que la batterie est déjà dangereusement endommagée (déchargement complet).
9. Un chargement à une température inférieure à 50 °F (10 °C) entraîne une détérioration chimique de la cellule et peut provoquer un incendie.
10. N'utilisez pas de batteries qui se sont réchauffées pendant le chargement, car les cellules de la batterie pourraient être dangereusement endommagées.
11. N'utilisez plus les batteries qui se sont bombées ou déformées pendant le chargement ou qui présentent des symptômes inhabituels (dégazage, sifflement, grésillement, ...).
12. Ne déchargez pas complètement la batterie (déchargement maximal recommandé max. 80 %). Le déchargement complet entraîne un vieillissement précoce des cellules de la batterie.
13. Ne charger jamais les batteries sans surveillance !

Protection contre l'impact environnemental

1. Portez des vêtements de travail appropriés. Porter des lunettes de protection.
2. **Protégez votre appareil sans fil et le chargeur contre l'humidité et la pluie.** L'humidité et la pluie peuvent entraîner des endommagements dangereux des cellules.
3. Ne pas utiliser l'appareil sans fil et le chargeur dans un espace contenant des vapeurs et des liquides combustibles.
4. Utiliser le chargeur et les appareils sans fil uniquement en état sec et à une température ambiante de 50-104 °F (10-40 °C).
5. Ne conservez pas la batterie dans des endroits où la température peut être supérieure à 40 °C, en partic. dans un véhicule garé au soleil.
6. **Protéger les batteries contre la surchauffe !** Une surcharge, un chargement excessif ou le rayonnement solaire entraînent la surchauffe et détériorent les cellules. Ne chargez ni travaillez en aucun cas avec les batteries qui ont été surchauffées, mais remplacez-les sans tarder.
7. **Conservation des batteries, des char-**

- geurs et de l'appareil sans fil.** Conservez le chargeur et votre appareil sans fil uniquement dans des locaux secs à une température ambiante de 50-104 °F (10-40 °C). Conservez la batterie Lithium-Ion au frais et au sec à 50-68 °F (10-20 °C). Protéger contre l'humidité de l'air et le rayonnement solaire direct ! Conserver les batteries uniquement en état chargé (au moins 40 % de charge).
8. Empêchez que la batterie Lithium-Ion gèle. Les batteries qui ont été conservées plus de 60 minutes au-dessous de 32 °F (0 °C) doivent être éliminées.
 9. Attention lors de la manipulation des batteries en rapport avec la charge électrostatique : les décharges électrostatiques endommagent la protection électronique et les cellules de la batterie ! Par conséquent, évitez les décharges électrostatiques et ne touchez jamais les pôles de la batterie !

Mise en garde concernant les batteries et informations sur leur élimination

Élimination

Si votre outil doit être remplacé après une période d'utilisation prolongée, ne le jetez pas avec les ordures ménagères, mais éliminez-le d'une manière respectueuse pour l'environnement.



Les déchets produits par les éléments d'un outil ou d'une machine électrique ne doivent pas être traités comme des déchets ménagers. Veuillez les recycler dans les installations prévues à cet effet.

Pour obtenir des conseils sur le recyclage, communiquez avec les services publics locaux ou avec votre revendeur.

Éliminez toujours les blocs-piles en vous conformant aux réglementations fédérales, provinciales ou territoriales et locales.

Communiquez avec un organisme de recyclage de votre région pour obtenir la liste des sites de recyclage.

⚠ MISE EN GARDE! Même déchargé, un bloc-piles emmagasine une certaine énergie. Avant de l'éliminer, utiliser du ruban isolant pour couvrir les bornes et empêcher ainsi le bloc-piles de provoquer un court-circuit, ce qui pourrait causer un incendie ou une explosion.

⚠ AVERTISSEMENT! Pour réduire le risque de blessure ou d'explosion, ne jamais brûler ou incinérer un bloc-piles, même s'il est endommagé, à plat ou complètement déchargé. En brûlant, des vapeurs et des matières toxiques

sont émises dans l'atmosphère environnante.

1. Les batteries varient selon le type d'outils ou de machines. Consulter le manuel pour des renseignements spécifiques.
2. Le cas échéant, insérer uniquement des batteries neuves de même type dans l'outil ou la machine.
3. Si, en l'insérant, la polarité de la batterie n'est pas respectée, comme indiqué dans le compar-timent à batterie ou dans le manuel, sa durée de vie pourrait être réduite ou elle pourrait fuir.
4. Ne pas mélanger des batteries anciennes et des neuves.
5. Ne pas mélanger des batteries alcalines, standard (carbone/zinc) ou rechargeables (au nickel-cadmium, au nickel-métal-hydrure ou au lithium-ion).
6. Ne jeter aucune batterie au feu. Les cellules de batterie peuvent exploser.
7. Les batteries doivent être recyclées ou éliminées en observant les directives provinciales ou territoriales et locales.

Pour expédier ou éliminer les batteries ou l'appareil sans fil, veillez à ce qu'ils soient emballés individuellement dans un sachet en plastique pour empêcher les courts-circuits ou les incendies !

Consignes de sécurité pour les Polisseuses-meuleuse sans fil

Consignes de sécurité pour toutes les opérations

Consignes générales de sécurité pour le ponçage / le polissage

Fonctionnement

- a) **Cet outil électrique est destiné au ponçage et au POLISSAGE. Lisez tous les avertissements de sécurité, instructions, figures et spécifications accompagnant cet outil électrique.** La non-observation de toutes les instructions ci-dessous pourrait provoquer une électrocution, un incendie et / ou une blessure grave.
- b) **Il n'est pas recommandé de meuler, de broser ou de couper les câbles avec cet outil électrique.** L'utilisation de l'outil électrique à des fins auxquels il n'est pas destiné peut provoquer un accident et des blessures.
- c) **N'utilisez pas les accessoires qui ne sont pas spécifiquement conçus et recommandés par le fabricant de l'outil.** Le seul

fait que l'accessoire peut être fixé à votre outil électrique ne garantit un fonctionnement sûr.

- d) **La VITESSE NOMINALE de l'accessoire doit être au moins égale à la vitesse maximale indiquée sur l'outil électrique.** Les accessoires tournant plus vite que leur VITESSE NOMINALE peuvent se briser et voler en éclat.
- e) **Le diamètre extérieur et l'épaisseur de votre accessoire ne doivent pas dépasser la capacité nominale de votre outil électrique.** Les accessoires de mauvaises dimensions ne peuvent pas être suffisamment protégés ni maîtrisés.
- f) **La fixation taraudée des accessoires doit correspondre au filetage de la broche de la MEULEUSE. En cas d'accessoires montés sur les BRIDES, l'alésage de l'accessoire doit être adapté au diamètre de positionnement de la BRIDE.** Les accessoires ne correspondant pas au matériel de fixation de l'outil électrique entrera en déséquilibre, vibrera excessivement ou pourrait entraîner une perte de contrôle.
- g) **N'utilisez pas d'accessoires endommagés. Avant chaque utilisation, examinez l'accessoire sur la présence des copeaux et des fissures sur les meules abrasives, des fissures, des détériorations ou de l'usure excessive sur le plateau d'appui, des câbles détachés ou fissurés sur la brosse métallique. Si l'outil électrique ou l'accessoire est tombé, examinez le dommage ou installez un accessoire intact. Après avoir examiné et installé un accessoire, mettez-vous vous-même et les personnes présentes à l'écart du niveau de l'accessoire en rotation et faites tourner l'appareil électrique pendant une minute à la vitesse maximale sans charge.** Généralement, les accessoires endommagés se brisent pendant la durée de test.
- h) **Portez l'équipement de protection individuelle. En fonction de l'opération, portez un écran facial, des lunettes étanches ou des lunettes de protection. Selon le cas, portez un masque anti-poussière, des protecteurs auditifs, des gants et un tablier d'atelier capable d'arrêter de petits fragments d'abrasion ou de la pièce travaillée.** La protection oculaire doit être capable d'arrêter les débris projetés au cours de divers opérations. Le masque anti-poussière doit être capable de filtrer les particules
- généérées au cours de votre opération. L'exposition prolongée au bruit de forte intensité pourrait entraîner des pertes auditives.
- i) **Veillez à ce que les personnes présentes soient à bonne distance de la zone de travail. Toute personne pénétrant la zone de travail doit porter un équipement de protection individuelle.** Les fragments de la pièce à travailler ou un accessoire cassé pourraient être projetés et causer des blessures au-delà de la zone immédiate de travail.
- j) **Tenez l'outil électrique uniquement par des surfaces de prise isolées lors de l'exécution d'une opération où l'accessoire de coupe peut être en contact avec des câbles dissimulés ou le cordon d'alimentation.**
- k) **Placez le cordon à l'écart de l'accessoire d'enfilage.** Si vous perdez le contrôle, le cordon pourrait être coupé ou arraché, et votre main ou votre bras pourraient être attirés dans l'accessoire d'enfilage.
- l) **Ne posez jamais l'outil électrique avant que l'accessoire s'immobilise complètement.** L'accessoire d'enfilage pourrait s'accrocher à la surface et tirer l'outil électrique de votre contrôle.
- m) **Ne faites pas fonctionner l'outil électrique en le transportant.** Un contact accidentel avec l'accessoire d'enfilage pourrait accrocher vos vêtements et tirer l'accessoire dans votre corps.
- n) **Nettoyez régulièrement les orifices d'aération de l'outil électrique.** Le ventilateur du moteur attirera la poussière à l'intérieur du boîtier, et l'accumulation excessive de poudre métallique pourrait causer des accidents électriques.
- o) **N'utilisez pas l'outil électrique à côté du matériau inflammable.** Les étincelles pourraient enflammer ces matériaux.

Consignes de sécurité complémentaires pour toutes les opérations

Rebond et avertissements afférents

Le rebond est une réaction soudaine à une meule en mouvement, un plateau d'appui, une brosse ou tout autre accessoire pincé ou accroché. Le pincement et l'accrochage causent un blocage rapide de l'accessoire en rotation, ce qui, à son tour, force l'outil électrique hors contrôle en direction opposée de la rotation de l'accessoire au point de contrainte.

Par exemple, si une meule abrasive et accrochée ou pincée par la pièce à travailler, le bord de la

meule entrant dans le point de pincement peut s'agripper à la surface du matériau en provoquant la sortie ou le rebond de la meule. La meule pourrait soit sauter en direction de l'opérateur ou en direction opposée, selon le sens de rotation de la meule au point de pincement. Les meules abrasives peuvent également se briser dans ces conditions.

Le rebond est le résultat de mauvaise utilisation de l'outil électrique et / ou des procédures ou conditions opérationnelles incorrectes et peut être évité grâce aux mesures de précaution appropriées indiquées ci-dessous.

- a) **Tenez fermement l'outil électrique et positionnez votre corps et votre bras de manière à pouvoir résister aux forces de rebond. Le cas échéant, utilisez toujours la poignée auxiliaire pour assurer le contrôle maximal du rebond ou de la réaction au couple lors du démarrage.** S'il prend les précautions nécessaires, l'opérateur peut contrôler les réactions au couple ou les forces de rebond.
- b) **Ne placez jamais votre main à proximité de l'accessoire en rotation.** L'accessoire peut rebondir au-dessus de votre main.
- c) **Ne vous mettez pas dans la zone de déplacement éventuel de l'outil électrique en cas de rebond.** Le rebond propulsera l'outil en direction opposée au mouvement de la meule au point d'accrochage.
- d) **Soyez extrêmement vigilant en travaillant sur les angles, arrêtes tranchantes, etc. Évitez le rebondissement et l'accrochage de l'accessoire.** Les angles, les arêtes tranchantes ou le rebondissement ont la tendance d'accrocher l'accessoire en rotation et causer la perte de contrôle ou le rebond.
- e) **Ne fixez pas une lame de sculpture sur bois de la scie à chaîne ni une lame de scie à denture.** De telles lames provoquent souvent le rebond et la perte de contrôle.

Consignes de sécurité complémentaires pour le ponçage

Consignes spécifiques de sécurité pour le ponçage :

- a) **N'utilisez pas de papier pour le disque de ponçage excessivement surdimensionné. Suivez les recommandations du fabricant en sélectionnant le papier à poncer.** Les feuilles de papier à poncer plus larges dépassant le plateau de ponçage représentent le risque de lacération et pourraient entraîner l'accrochage, la déchirure du disque ou le

rebond.

Consignes de sécurité complémentaires pour le polissage

Consignes spécifiques de sécurité pour le polissage :

- a) **Empêchez la rotation libre d'une partie détachée du bonnet de polissage ou de ses cordes de fixation. Remettez à leur place ou coupez toutes les cordes de fixation détachées.** Les cordes de fixation détachées ou tournantes peuvent entraîner vos doigts ou s'accrocher à la pièce à travailler.

Cet appareil n'est pas destiné à être utilisé par les personnes (y compris les enfants) avec des capacités physiques, sensorielles ou mentales réduites ou manquant d'expérience et / ou de connaissances, à moins qu'elles ne soient surveillées par une personne chargée de leur sécurité ou qu'elles n'aient reçu des instructions sur le maniement de l'appareil. Les enfants doivent être surveillés pour s'assurer qu'ils ne joueront pas avec l'appareil.

CONSERVER CES INSTRUCTIONS

2. Description de l'appareil et contenu de l'emballage

2.1 Description de l'appareil

1. Blocage de la broche
2. Poignée supplémentaire
3. Interrupteur de marche / arrêt
4. Régulateur de vitesse
5. Touche d'arrêt
6. Plateau de polissage / meulage
7. Affichage de la vitesse
8. Témoin de charge de la batterie
9. Bouton de témoin de charge de la batterie
10. Polisseuse-meuleuse
11. Disque de polissage
12. Couvercle de polissage synthétique
13. Papier de verre grain 60
14. Papier de verre grain 80
15. Papier de verre grain 120
16. Clé à six pans (6 mm)
17. Vis à six pans creux M8 x 20 mm (2 pcs)

2.2 Contenu d'emballage

Veillez contrôler l'intégralité de l'article au moyen du contenu d'emballage décrit. En cas de pièces manquantes, veuillez contacter notre centre de service à la clientèle ou le point de vente où vous avez acheté l'appareil au plus tard dans les 5 jours ouvrables à compter de l'achat de l'article en présentant un ticket de caisse valable.

- Ouvrez l'emballage et retirez-en prudemment l'appareil.
- Enlevez le matériau d'emballage ainsi que les sécurités d'emballage et de transport (le cas échéant).
- Contrôlez l'intégralité du contenu d'emballage.
- Vérifiez si l'appareil et les accessoires présentent des dommages dus au transport.
- Si possible, conservez l'emballage jusqu'à l'expiration de la durée de garantie.

Danger !

L'appareil et le matériau d'emballage ne sont pas un jouet ! Les enfants ne doivent pas jouer avec des sachets en plastique, des films ou de petites pièces ! Il existe le risque d'ingestion et de suffocation !

- Polisseuse-meuleuse sans fil
- Poignée supplémentaire
- Plateau de polissage / meulage
- Disque de polissage
- Couvercle de polissage synthétique
- Papier de verre grain 60/80/120
- Clé à six
- Vis à six pans creux (2 pcs)
- Mode d'emploi d'origine avec consignes de sécurité

Accessoires disponibles séparément

18V 1,5Ah P-X-C batterie Li-ion
 18V 2,0Ah P-X-C batterie Li-ion
 18V 2,6Ah P-X-C Plus batterie Li-ion
 18V 3,0Ah P-X-C batterie Li-ion
 18V 4,0Ah P-X-C batterie Li-ion
 18V 5,2Ah P-X-C Plus batterie Li-ion
 18V P-X-C chargeur rapide à double raccord
 18V P-X-C chargeur rapide

Explorez les options de batterie + chargeur sur einhellUSA.com

3. Utilisation conforme

L'appareil est destiné au polissage des surfaces laquées et au meulage du bois, du fer, du plastique et d'autres matériaux semblables à l'aide du papier abrasif correspondant.

La machine ne doit être utilisée que conformément à sa destination. Toute autre utilisation dépassant ce cadre n'est pas conforme. C'est l'utilisateur / l'opérateur qui est responsable de tous les dommages ou blessures de toute nature en résultant et non pas le fabricant.

Utilisation non conforme

Tous les emplois de l'appareil qui ne sont pas mentionnés dans le chapitre « Utilisation conforme » sont considérés comme utilisation non conforme.

Il est interdit d'utiliser l'appareil dans les buts suivants :

- Traitement des peintures à base de plomb et des bois ou métaux qui génèrent des poussières nocives ou toxiques
- Affûtage, gravure dans la même intention
- Traitement du matériau contenant de l'amiante
- Utilisation dans les atmosphères explosibles
- Meulages des murs humides

Il existe un risque de blessure.

L'utilisateur est responsable de tous les dommages matériels et corporels en résultant dus à un mauvais usage.

La garantie du fabricant s'éteint en cas d'utilisation de composants de la machine autre que ceux d'origine.

Risques résiduels

Même l'utilisation correcte de l'appareil ne laisse subsister un certain risque résiduel qui ne peut pas être exclu. Le type et la conception de l'appareil peuvent présenter les risques potentiels suivants :


- Contact avec le disque à nu (coupure)
- Contact avec le disque encore en rotation (coupure)
- Projection de pièces du disque (coupure ou coup)
- Projection de parties du matériau traité (coupure ou coup)
- Risque d'incendie par projection d'étincelles
- Lésions auditives si aucune protection acoustique n'est portée (pertes auditives)

- Inhalation de particules abrasives du matériel et du disque
- Électrocution en cas de contact avec les composants électriques non isolés

Si les instructions contenues dans votre mode d'emploi ne sont pas respectées, une utilisation incorrecte peut entraîner d'autres risques résiduels

Veillez noter que nos appareils n'ont pas été conçus pour une utilisation commerciale, artisanale ou industrielle. Nous n'accordons aucune garantie si l'appareil est utilisé dans des entreprises commerciales, artisanales ou industrielles ou pour des activités équivalentes.

4. Caractéristiques techniques

Alimentation en tension du moteur 18 V 
 Régime à vide:500-3000 tr/min (rpm)
 Plateau de polissage :Ø 180 mm (7 po.)
 Filetage de la broche de fixation: 5/8 -11 UNC
 Poids:..... 1,42 kg (3,1 lb)

Portez une protection auditive.

Le bruit peut provoquer une perte d'acuité auditive.

Limitez à un minimum l'émission de bruit et les vibrations !

- Utilisez uniquement des appareils irréprochables.
- Entretenez et nettoyez l'appareil régulièrement.
- Adaptez votre méthode de travail à l'appareil.
- Ne surchargez pas l'appareil.
- Faites examiner l'appareil le cas échéant.
- Éteignez l'appareil lorsqu'il n'est plus utilisé.
- Portez des gants.
- Fixez les poignées et, éventuellement, les poignées anti-vibration optionnelles sur le corps de l'appareil.

Si vous constatez une sensation désagréable ou une coloration de la peau de vos mains pendant l'utilisation de l'appareil, interrompez immédiatement le travail. Respectez des interruptions de travail suffisantes. Le non-respect des interruptions de travail suffisantes peut entraîner un syndrome de vibrations aux bras et aux mains. Une évaluation du degré d'exposition en fonction

du travail ou de l'utilisation de l'appareil doit avoir lieu et des interruptions de travail correspondantes doivent être fixées. Cela permet de réduire considérablement le degré d'exposition pendant le temps de travail total. Minimisez le risque lié aux vibrations auquel vous vous exposez. Entretenez cet appareil conformément aux instructions contenues dans le mode d'emploi.

Si l'appareil est employé ou utilisé souvent, vous devriez contacter votre revendeur et vous procurer éventuellement des accessoires anti-vibrations.

N'employez pas l'appareil à des températures $\leq 10\text{ }^{\circ}\text{C}$ ($50\text{ }^{\circ}\text{F}$). Établissez un plan de travail qui limite l'exposition aux vibrations.

L'on ne peut pas éviter certaines nuisances sonores générées par cet appareil. Reportez les travaux bruyants aux heures autorisées et appropriées. Le cas échéant, respectez les heures de repos et limitez la durée de travail au minimum. Portez une protection acoustique adaptée pour votre protection personnelle et celle des personnes se trouvant à proximité.

5. Avant la mise en service

N'appuyez sur le blocage de la broche que pendant l'arrêt de l'appareil.

5.1 Montage de l'appareil (fig. 4-6)

Attention ! Retirez la batterie avant les travaux de montage.

L'appareil est livré sans batterie ni chargeur !

5.2. Montage de la batterie

Appuyez sur la touche d'enclenchement (5) de la batterie, comme il est montré dans la fig. 8, et poussez la batterie dans le compartiment prévu à cette fin. Dès que la batterie est en position montrée à la figure 8, prendre garde à l'enclenchement de la touche d'enclenchement ! Le démontage de la batterie s'effectue dans l'ordre inverse !

6. Fonctionnement

Avertissement !

Retirez toujours la batterie avant de régler l'appareil.

6.1 Chargement de la batterie LI

Vous trouverez les instructions correspondantes dans le mode d'emploi d'origine de votre chargeur.

6.2 Affichage de la capacité de la batterie (image 7/8)

Appuyez sur l'interrupteur de l'affichage de la capacité de la batterie (9). L'affichage de la capacité de la batterie (8) signale l'état de charge de la batterie au moyen de 3 LEDs.

Les 3 LEDs s'allument:

La batterie est complètement chargée.

2 ou 1 LED(s) s'allume(nt):

La batterie a une charge résiduelle suffisante.

1 LED clignote:

La batterie est déchargée, chargez la batterie.

Toutes les LEDs clignotent:

La batterie a été profondément déchargée et est défectueuse. Une batterie défectueuse ne peut plus être utilisée et chargée!

Fixez bien la pièce à usiner. Veillez à ce que la pièce à usiner soit protégée contre le glissement au moyen d'un dispositif de serrage ou d'un étau.

Mise en marche / à l'arrêt de l'appareil

L'appareil est mis en marche (I) et à l'arrêt (0) au moyen d'un interrupteur Marche / Arrêt (fig. 3 / pos. 3). Mais l'appareil ne fonctionne qu'après l'actionnement du régulateur de vitesse (v. section 6.3).

Retirez l'appareil de la surface à travailler avant de le mettre à l'arrêt.

6.3 Utilisation de la polisseuse

Utilisez uniquement la cire et l'agent de polissage spécifiques adaptés à l'appareil. Respectez les instructions du fabricant relatives à l'utilisation de la cire et des agents de polissage !

Remplacement aisé des garnitures de polissage au moyen du ruban agrippant.

ATTENTION !

Pour ne pas endommager les surfaces à polir, respectez impérativement les points suivants :

- Lavez votre voiture véhicule avant le polissage et protégez-le contre les salissures.
- Veillez à ce que les garnitures de polissage fournies restent propres pendant le polissage.
- Veillez à ce que la garniture de polissage soit toujours fixée au milieu du plateau de polissage / meulage.
- Vérifiez la bonne fixation des garnitures avant la mise en marche de l'appareil.
- Ne touchez jamais la surface à traiter avec le bord latéral du plateau de polissage / meulage.
- À l'aide du régulateur de vitesse (v. section 6.3), sélectionnez la vitesse de rotation adaptée à vos besoins. La vitesse de travail optimale dépend du matériau traité et de l'agent (de polissage) utilisé. Si nécessaire, cela peut être déterminé au moyen des essais pratiques.
- La polisseuse doit être posée complètement sur la surface à polir.
- Recouvrez les pièces en plastique qui pourraient se colorer ou s'enlaidir pendant le polissage.
- Polissez toujours à l'ombre et jamais la peinture chaude.
- Polissez les coins et les bords avec une grande précaution. La couche de peinture dans les coins et sur les bords est la plus mince. Par précaution, vous pouvez les recouvrir et polir à la main.
- Une pression excessive entraîne une baisse de performance et une usure prématurée des accessoires utilisés. P. ex., les surfaces sensibles peuvent être endommagées par une vitesse de rotation ou une pression d'appui excessives.

Important ! Réglez la vitesse de rotation avant de poser l'appareil sur la surface à traiter et laissez l'appareil atteindre la vitesse de rotation réglée. Elle est atteinte en quelques secondes. Avant tout, lors des travaux avec la garniture en mousse plastique, les variations de la vitesse de rotation peuvent se produire à bas régimes en raison des différences de la texture de la surface (différences de frottement). Ce n'est pas un défaut d'appareil.

Utilisez la garniture en mousse plastique pour appliquer de l'agent de polissage (fig. 10).

- Traitez d'abord les grandes surfaces planes, comme p. ex. le capot, le hayon du coffre et le toit.
- Répartissez quelques points de vernis sur la garniture en mousse plastique. Appuyez plusieurs fois la garniture en mousse plastique sur la surface à polir. Le vernis pénétrera dans la mousse plastique et sera transmis sur la surface à polir. Vous évitez ainsi la projection du vernis se trouvant sur la garniture en mousse plastique à la mise en marche.
- Appliquez l'agent de polissage à faible vitesse de rotation.
- Ne traitez que de petites sections à la fois.
- Traitez les sections en croix (d'abord verticalement, puis horizontalement) de façon homogène.
- Ensuite, passez aux surfaces plus petites (p. ex., les portes).

Polissage de finition

- La garniture synthétique de polissage (fig. 11b) vous permet d'enlever la couche d'agent de polissage et de terminer l'opération de polissage.
- Pour monter la garniture synthétique de polissage, rabattez le bord vers le haut (fig. 10), appuyez la garniture contre la face agrippante du plateau de polissage et rabattez ensuite le bord vers le bas (fig. 11). Le bord du plateau de polissage est recouvert par la garniture de polissage.
- Attention ! N'appliquez aucune pression sur l'appareil de polissage !

Conseils d'entretien

- Lavez votre voiture au moins toutes les deux semaines. N'utilisez pas les détergents ménagers parce qu'ils peuvent endommager la peinture et détacher la couche de cire.
- Lavez votre voiture avec une éponge propre. Travaillez du haut en bas.
- Les insectes, les fientes d'oiseaux et les dépôts de goudron devraient être enlevés tous les jours.
- Pour qu'il ne mouille pas la surface peinte, le détergent pour vitres devrait être pulvérisé sur un chiffon de lavage et pas directement sur la vitre.

6.4 Utilisation de la meuleuse

Utilisez pour le meulage les garnitures de meulage fournies (fig. 12).

Remplacement aisé des garnitures de meulage au moyen du ruban agrippant.

- Poser le plateau de meulage de toute la surface.
- Effectuer des mouvements circulaires ou transversaux et longitudinaux sur la pièce à usiner avec une pression modérée.
- Le grain grossier sera utilisé pour le ponçage grossier et un grain plus fin pour le meulage fin. Le meilleur grain peut être déterminé au moyen des essais de meulage.

6.5 Affichage du régulateur de vitesse (fig. 3)

Le régulateur de vitesse vous permet de régler la vitesse de rotation désirée.

La touche « + » sert à augmenter la vitesse de rotation.

La touche « - » sert à baisser la vitesse de rotation.

La vitesse de rotation réglée est affichée sur l'écran (7). Vitesse de rotation réglée = affichage x 100

Important ! Réglez la vitesse de rotation avant de poser l'appareil sur la surface à traiter et laissez l'appareil atteindre la vitesse de rotation réglée. Elle est atteinte en quelques secondes.

7. Nettoyage, entretien et commande de pièces de rechange

Danger !

Avant tout travail de nettoyage, retirez la batterie de l'appareil.

7.1 Nettoyage

- Maintenez les dispositifs de protection, les fentes d'aération et les carters de moteur aussi exempt de poussières et de saletés que possible. Frottez l'appareil avec un linge propre et nettoyez-le à l'air comprimé à basse pression.
- Nous recommandons de nettoyer l'appareil directement après chaque utilisation.
- Nettoyez l'appareil régulièrement avec un linge humide et un peu de savon noir. N'utilisez pas de détergeant ni de solvants ; ils peuvent détériorer les éléments en plastique de l'appareil. Veillez à ce que l'eau ne puisse pas pénétrer à l'intérieur de l'appareil. La pé-

nétration de l'eau dans un appareil électrique augmente le risque d'une électrocution.

- Laver les coiffes de polissage uniquement à la main et laisser sécher à l'air.
- Si la polisseuse n'est pas utilisée, elle devrait être gardée avec la coiffe de polissage retirée orientée vers le haut pour que le plateau de polissage puisse sécher et conserver sa forme d'origine.

7.2 Entretien

L'intérieur de l'appareil ne contient pas de pièces exigeant un entretien.

7.3 Commande des pièces de rechange : Service

1. **Si votre outil électrique doit être réparé, veuillez contacter un distributeur autorisé d'Einhell USA ou appeler le centre de service à la clientèle d'Einhell USA au numéro 1-866-EINHELL (1-866-346-4355).** Seules les pièces de rechange identiques doivent être utilisées pour les réparations. Cela permet de garantir la sécurité de l'outil électrique.
2. **Si le câble du chargeur est endommagé, il doit être immédiatement remplacé pour empêcher un accident.** Pour obtenir de l'assistance, veuillez contacter le centre de service à la clientèle d'Einhell USA® au numéro 1-866-EINHELL (1-866-346-4355).

8. Élimination et revalorisation

L'appareil se trouve dans un emballage pour empêcher les dommages dus au transport. Cet emballage constitue une matière première et peut par conséquent être réutilisé ou peut être recyclé. L'appareil et ses accessoires sont fabriqués à partir de différents produits, comme p. ex. le métal et les matières plastiques. Ne jetez pas les appareils défectueux dans les déchets ménagers. Pour être éliminé de façon appropriée, l'appareil devrait être déposé à un lieu de collecte approprié. Si vous ne connaissez aucun lieu de collecte, informez-vous auprès de l'administration municipale.

9. Conservation

Conservez l'appareil et ses accessoires dans un endroit sombre, sec et exempt de gel ainsi que hors la portée des enfants. La température de conservation optimale se situe entre 41 °F et 86 °F (5 °C et 30 °C). Conservez l'outil électrique dans l'emballage d'origine.

Une réimpression ou toute autre reproduction de la documentation et des documents accompagnant les produits, même par extraits, ne sont autorisées qu'avec accord exprès d'iSC GmbH.

Sous réserve des modifications techniques.

10. Défaillances

a) L'appareil ne marche pas

Vérifiez si la batterie est chargée et si le chargeur fonctionne.

b) Le code d'erreur s'affiche

Code d'erreur	Cause possible	Remèdes possibles
E1	<ul style="list-style-type: none"> - Le courant de la batterie est excessif. - Défaut d'appareil 	<ul style="list-style-type: none"> - Remplacer la batterie - Démarrer l'appareil à vide
E3	<ul style="list-style-type: none"> - L'appareil ne peut pas démarrer en raison, p. ex., de la charge de pression - Défaut d'appareil 	<ul style="list-style-type: none"> - Vérifier si l'appareil peut démarrer librement - Remplacer la batterie - Démarrer l'appareil à vide
E4	<ul style="list-style-type: none"> - Le moteur est en surcharge - Défaut d'appareil 	<ul style="list-style-type: none"> - Vérifier si l'appareil peut démarrer librement - Remplacer la batterie - Démarrer l'appareil à vide
E5	<ul style="list-style-type: none"> - L'appareil tourne depuis longtemps et est devenu chaud. 	<ul style="list-style-type: none"> - Laissez l'appareil se refroidir pendant au moins 30 minutes. Il ne redémarre que lorsque la température de l'appareil a baissé considérablement.
E6	<ul style="list-style-type: none"> - La protection contre les sous-tensions a éteint la batterie. 	<ul style="list-style-type: none"> - Remplacer la batterie - Charger la batterie
E7	<ul style="list-style-type: none"> - Problème mécanique (transmission) 	<ul style="list-style-type: none"> - Vérifier si l'appareil peut démarrer librement - Remplacer la batterie - Démarrer l'appareil à vide
E8	<ul style="list-style-type: none"> - Problème mécanique (moteur) 	<ul style="list-style-type: none"> - Vérifier si l'appareil peut démarrer librement - Remplacer la batterie - Démarrer l'appareil à vide
E9	<ul style="list-style-type: none"> - La protection contre les surtensions a éteint la batterie. 	<ul style="list-style-type: none"> - Remplacer la batterie - Vérifier la tension de la batterie (21 V max.)

Si l'appareil ne fonctionne pas malgré les mesures de dépannage et la présence de tension, veuillez contacter le service à la clientèle, voir le point 7.3

Einhell®

PROMESSE D'EINHELL À SES CLIENTS

LA QUALITÉ PRIME. Le nom d'Einhell est synonyme des outils performants et de la fabrication européenne de haute qualité. Des perceuses sans fil aux tondeuses à gazon électriques, Einhell USA conçoit et développe des outils électriques et de jardinage à main de pointe pour les bricoleurs, jardiniers amateurs et réparateurs.

Les équipes d'assurance de la qualité et d'ingénieurs d'Einhell USA garantissent que les produits subissent de sévères tests de qualité et de performance. Nous savons que parfois les outils solides traversent les époques dures. Si jamais vous avez un problème avec votre produit, soyez sûr que nous ferons tout notre possible pour vous rendre un outil prêt à travailler aussi dur que vous.

ENREGISTREMENT DU PRODUIT :

Einhell vous encourage vivement d'enregistrer votre achat. Vous pouvez enregistrer en ligne sur **EinhellUSA.com**. Si vous n'enregistrez pas le produit que vous avez acheté, cela n'affectera pas vos droits de garantie. Toutefois, si vous enregistrez votre achat, Einhell pourra mieux vous servir pour tous vos besoins de client.

QU'EST-CE QUI EST COUVERT ?

Einhell garantit au propriétaire que si cet appareil a un problème pendant une période de 2 ans à partir de la date d'achat à cause d'un défaut de matériau ou de fabrication ou en raison de l'usure normale au cours d'un usage domestique normal, Einhell enverra une pièce ou un produit de rechange, au besoin, gratuitement et sans frais de port à l'acheteur initial. Si, à la seule discrétion d'Einhell, l'appareil défectueux ne peut pas être réparé avec une pièce, Einhell soit (A) enverra gratuitement et sans frais de port un nouvel appareil, soit (B) remboursera au propriétaire la totalité du prix d'achat.

QUI PEUT SOLLICITER LA COUVERTURE DE GARANTIE ?

Cette garantie est consentie par Einhell au propriétaire de cet appareil (un « appareil » consiste en un produit alimenté par un moteur) pour un usage domestique personnel exclusivement. Cette garantie est limitée aux trente (30) jours à compter de l'achat initial de tout produit de marque EINHELL utilisé à des fins commerciales ou à d'autres fins lucratives. Si la propriété de cet appareil change pendant la période couverte, veuillez mettre à jour l'information relative au propriétaire de l'appareil sur **EinhellUSA.com**

QU'EST-CE QUI N'EST PAS COUVERT ?

Cette garantie ne couvre pas les produits ayant fait l'objet d'un usage abusif ou négligent, d'un manque d'entretien, ayant été impliqués dans un accident ou employés d'une façon contraire au mode d'emploi, comme c'est spécifié dans le guide d'utilisation. Cette

garantie ne couvre pas les modifications superficielles n'affectant pas la performance.

Cette garantie n'est valable que si l'appareil est utilisé et entretenu conformément aux instructions, avertissements et mises en garde figurant dans le manuel du propriétaire. Einhell ne sera pas responsable du coût des réparations de garantie non autorisées. Cette garantie ne couvre pas les coûts et dépenses engagés par l'acheteur pour se procurer un équipement ou un service de substitution pendant les périodes raisonnables de dysfonctionnement ou de non-utilisation de ce produit dans l'attente d'une pièce ou d'une unité de rechange en vertu de cette garantie.

Les pièces d'usure, comme les courroies, les vis sans fin, les chaînes et les dents, ne sont pas couvertes par cette garantie et peuvent être achetées sur **EinhellUSA.com** ou en appelant au numéro **1-866-EINHELL (1-866-346-4355)**. Les batteries sont entièrement couvertes pendant 90 jours à partir de la date d'achat.

La réparation, le remplacement et le remboursement du prix d'achat sont les seuls moyens de l'acheteur et la seule responsabilité d'Einhell au titre de cette garantie. Les employés et les représentants d'Einhell ne sont pas autorisés à concéder une garantie supplémentaire ni à apporter une modification de cette garantie susceptible d'engager Einhell. Par conséquent, l'acheteur ne devrait pas se fier aux déclarations supplémentaires faites par un employé ou un représentant d'Einhell. En aucun cas, sur la base d'un contrat, d'une indemnisation, d'une garantie, d'un tort (y compris la négligence), d'une responsabilité sans faute, etc., Einhell ne sera responsable des dommages spécifiques, indirects, accessoires ou consécutifs, y compris mais sans s'y limiter la perte de bénéfices ou de revenus.

Certains États n'autorisent pas de limitations aux garanties. Dans tels États, les limitations ci-dessus pourraient ne pas s'appliquer à vous.

D'autres garanties peuvent s'appliquer en dehors des États-Unis et le Canada.



A series of 20 horizontal lines for writing, starting from the line where the pencil is positioned and extending down the page.



A series of horizontal lines for writing, starting from the pencil tip and extending across the page.



EH 06/2020 (02)