

**PARKSIDE**

**PKS 1700 A1**



GB CY

### SLIDING CROSS CUT MITRE SAW

Operation and Safety Notes  
Original operating instructions

GR CY

### ΦΑΛΤΣΟΠΡΙΟΝΟ

Υποδείξεις χειρισμού και ασφαλείας  
Πρωτότυπες Οδηγίες χρήσης

HR

### NAGIBNA KRUŽNA PILA

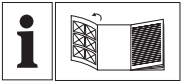
Upute za posluživanje i za Vašu sigurnost  
Originalne upute za uporabu

DE AT CH

### ZUG-, KAPP- UND GEHRUNGSSÄGE

Bedienungs- und Sicherheitshinweise  
Originalbetriebsanleitung

7+



GB CY

Before reading, unfold the page containing the illustrations and familiarise yourself with all functions of the device.

HR

Prije nego što pročitate tekst, otvorite stranicu sa slikama i upoznajte se na osnovu toga sa svim funkcijama uređaja.

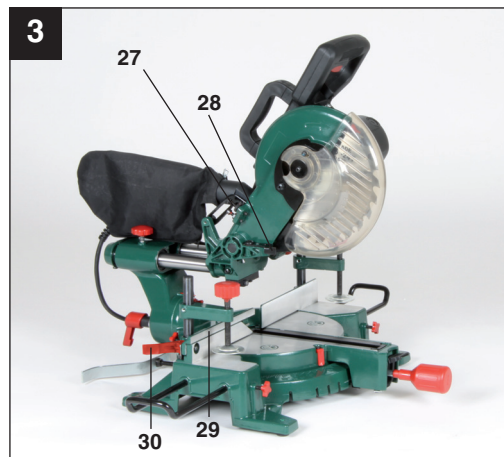
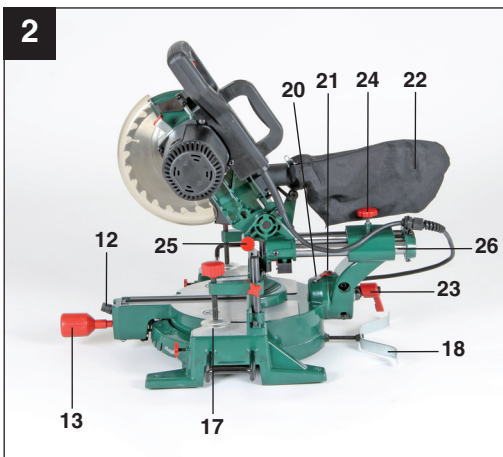
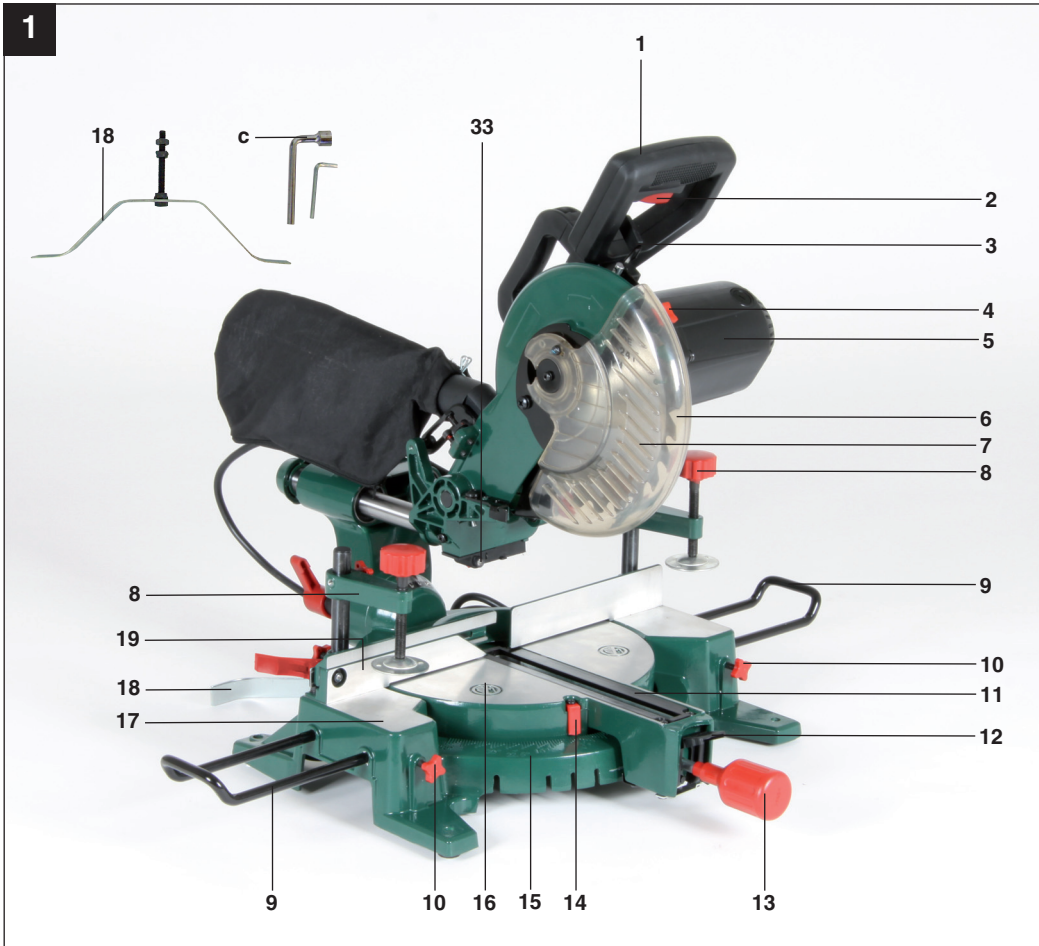
GR CY

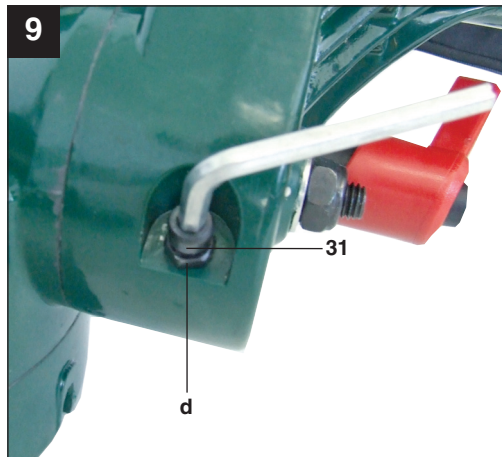
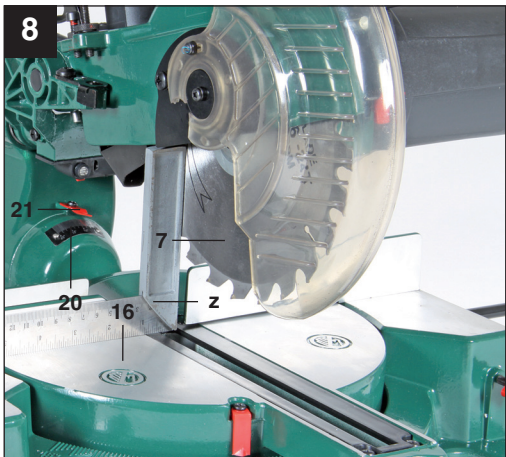
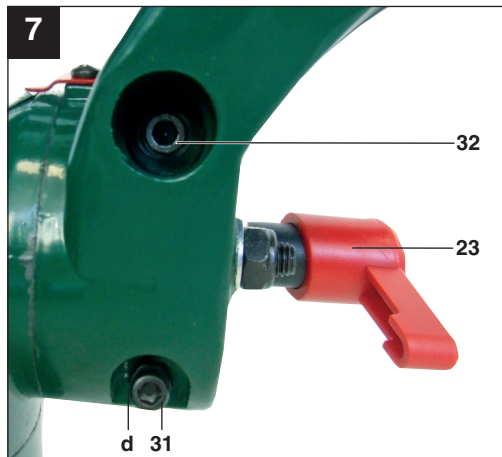
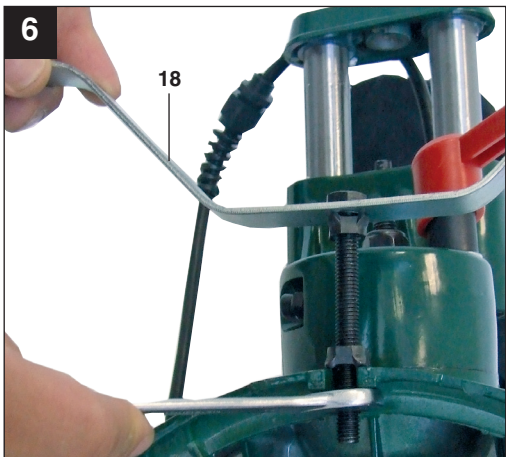
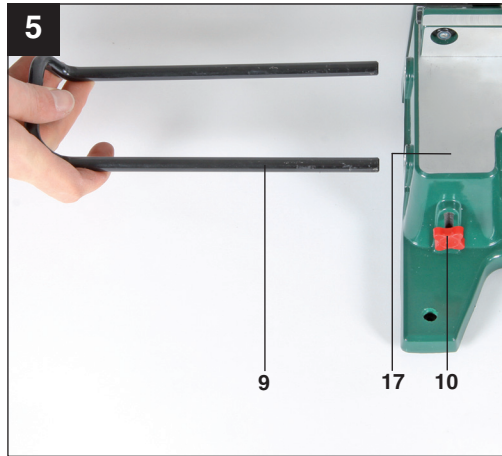
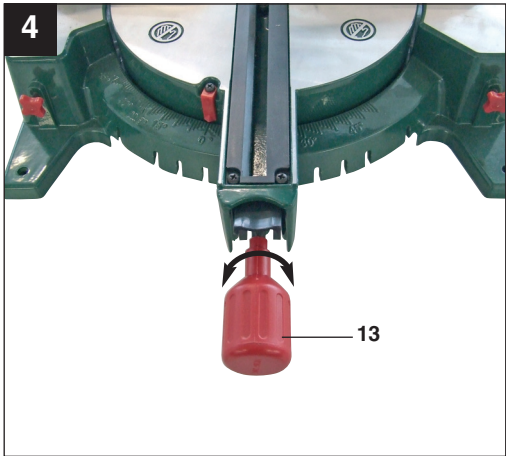
Πριν ξεκινήσετε την ανάγνωση, ανοίξτε τη σελίδα με τις εικόνες και εξοικειωθείτε με όλες τις λειτουργίες της συσκευής.

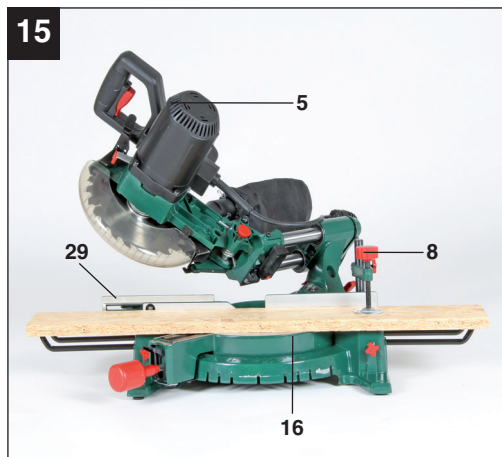
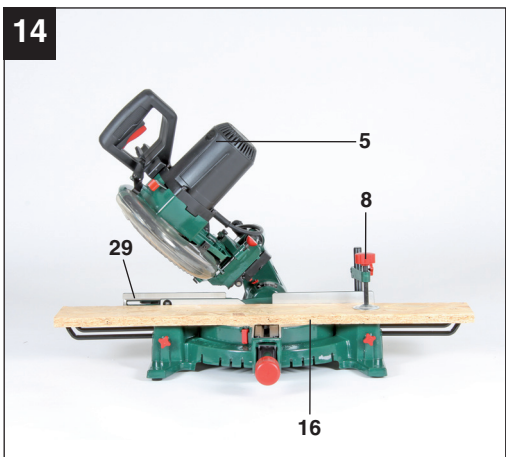
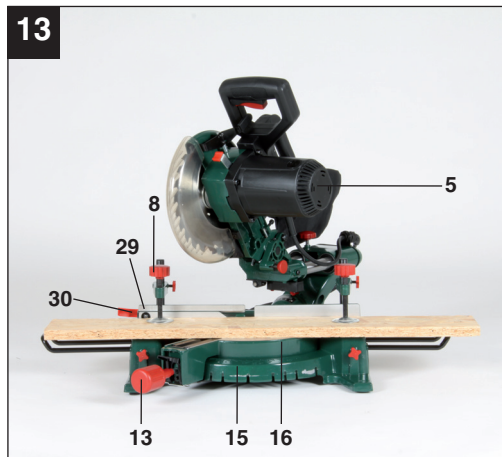
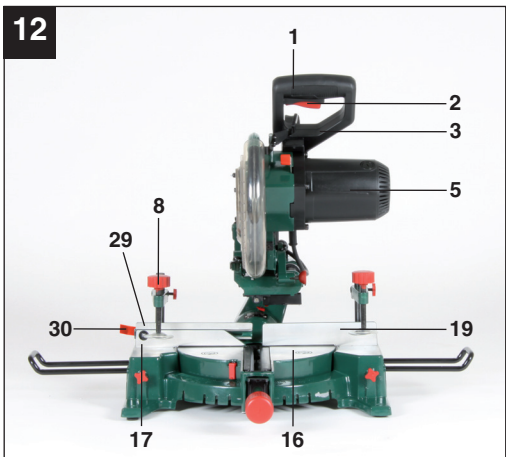
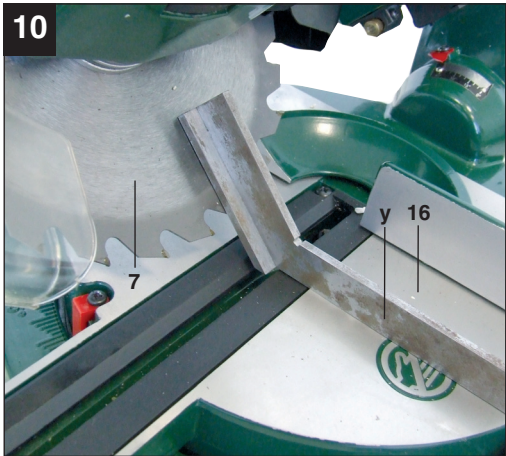
DE AT CH

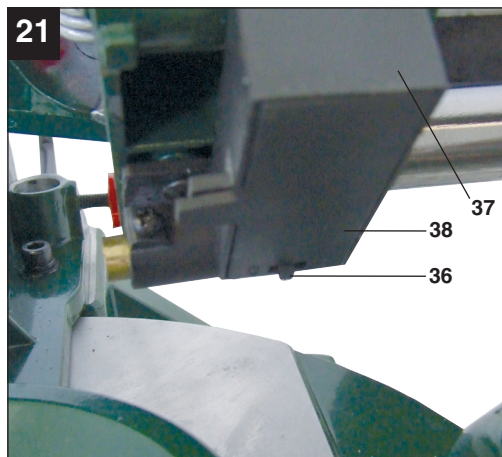
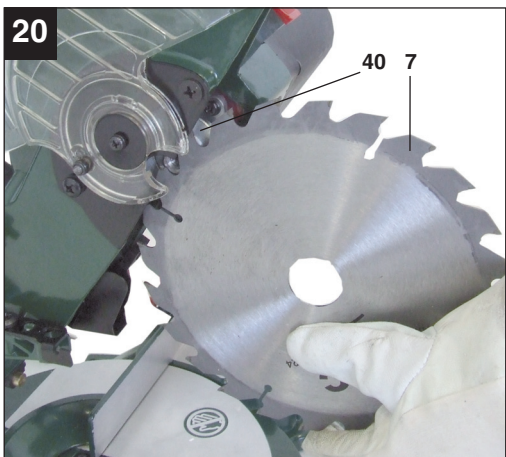
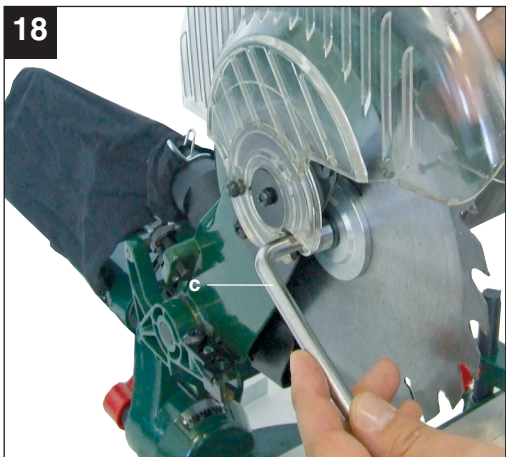
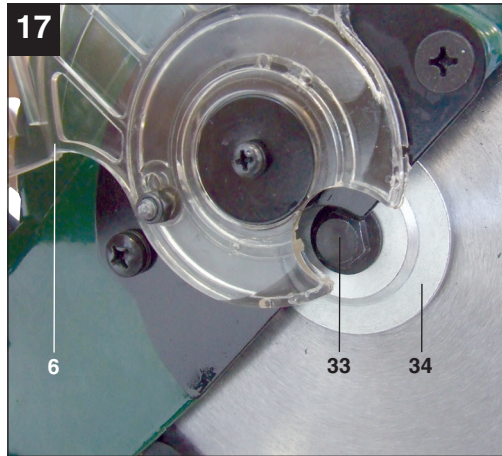
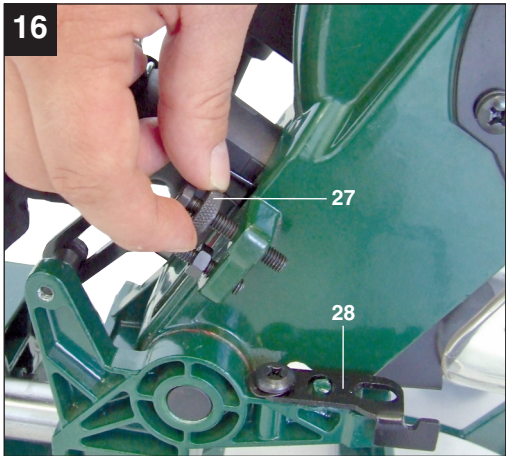
Klappen Sie vor dem Lesen die Seite mit den Abbildungen aus und machen Sie sich anschließend mit allen Funktionen des Gerätes vertraut.

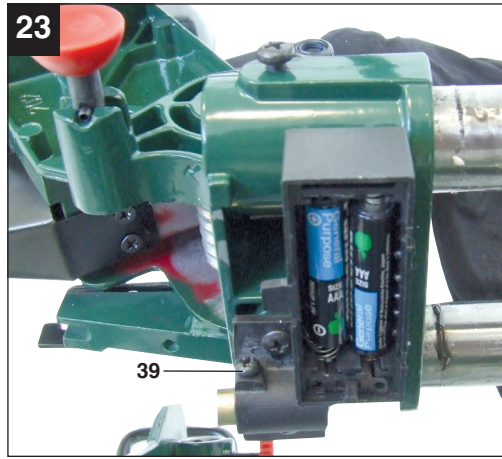
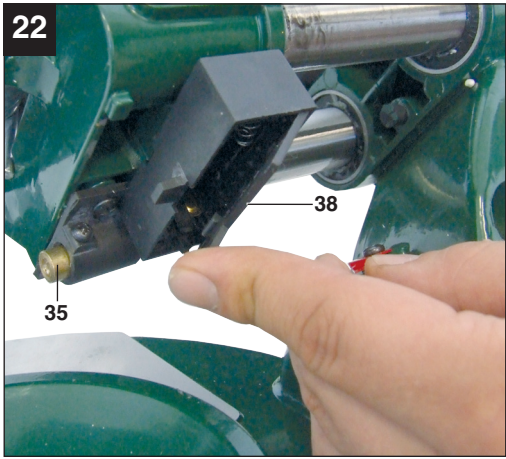
GB/CY	Operation and Safety Notes	Page	8
HR	Upute za posluživanje i za Vašu sigurnost	Stranica	24
GR/CY	Υποδείξεις χειρισμού και ασφαλείας	Σελίδα	40
DE/AT/CH	Bedienungs- und Sicherheitshinweise	Seite	59











GB/  
CY

## Table of contents

## Page

1. Introduction .....	10
2. Safety information .....	10-14
3. Layout .....	14
4. Items supplied .....	15
5. Intended use .....	15
6. Technical data .....	16
7. Before starting the equipment .....	16-17
8. Operation .....	17-20
9. Replacing the power cable .....	20
10. Cleaning, maintenance and ordering of spare parts .....	20-21
11. Disposal and recycling .....	21
12. Declaration of conformity .....	22
13. Guarantee certificate .....	23

The reprinting or reproduction by any other means, in whole or in part, of documentation and papers accompanying products is permitted only with the express consent of ISC GmbH.

Technical changes subject to change



## Explanation of the symbols on the equipment



“Caution - Read the operating instructions to reduce the risk of injury”



**Wear ear-muffs.**

The impact of noise can cause damage to hearing.



**Wear a breathing mask.**

Dust which is injurious to health can be generated when working on wood and other materials. Never use the device to work on any materials containing asbestos!



**Wear safety goggles.**

Sparks generated during working or splinters, chips and dust emitted by the device can cause loss of sight.



**Important. Risk of injury.**

Never reach into the running saw blade.

GB/  
CY

## 1. Introduction

### ⚠ Important.

When using the equipment, a few safety precautions must be observed to avoid injuries and damage. Please read the complete operating instructions and safety information with due care. Keep this manual in a safe place so that the information is available at all times. If you give the equipment to any other person, hand over these operating instructions and the safety information as well. We cannot accept any liability for damage or accidents which arise due to a failure to follow these instructions and the safety information.

## 2. Safety information

### ⚠ CAUTION

**Read all the safety information and instructions.** Any errors made in following the safety information and instructions set out below may result in an electric shock, fire and/or serious injury.

**Keep all the safety information and instructions in a safe place for future use.**

### 2.1 General safety information on electric power tools

**Important. The following safety precautions must be taken when using electric power tools in order to protect the user from electric shocks and the risk of injury and fire. Read and follow these instructions before using the equipment.**

- **Keep your work area tidy**
  - Untidy work areas can result in accidents.
- **Make allowance for ambient conditions**
  - Do not expose electric power tools to rain. Never use electric power tools in damp or wet locations. Provide good lighting. Do not use electric power tools near flammable liquids or gases.
- **Guard against electric shock**
  - Avoid bodily contact with earthed parts (e.g. pipes, radiators, cookers and

refrigerators).

- **Keep children away**
  - Do not allow other persons to touch the equipment or cable, keep them away from your work area.
- **Keep your electric power tools in a safe place.**
  - Unused tools must be stored in a dry, locked room out of children's reach.
- **Do not overload your tools**
  - It will work better and safer when used within its quoted capacity range.
- **Use the right tool**
  - Do not use tools or attachments too weak for heavy duty work. Never use tools on jobs for which they are not intended; for example, do not use a hand-held circular saw to fell trees or lop off branches.
- **Wear suitable work clothes**
  - Never wear loose fitting clothes or jewelry. They may get caught in moving parts. Rubber gloves and non-slip shoes are recommended when working outdoors. Wear a hair net if you have long hair.
- **Wear safety goggles.**
  - Use a dust mask when working on dusty jobs.
- **Do not use the cable for purposes other than that for which it is designed.**
  - Do not carry the equipment by its cable and do not use the cable to pull the plug out of the socket. Protect the cable from heat, oil and sharp edges.
- **Secure your workpiece**
  - Use clamps or a vise to hold the workpiece securely. This is safer than using your hand and also enables you to operate the machine with both hands.
- **Do not overstretch.**
  - Avoid abnormal working postures. Make sure you stand squarely and keep your balance at all times.
- **Take care of your tools**
  - Keep your tools sharp and clean in order to work well and safely. Follow the maintenance information and the instructions for changing tools. Check the power plug and cable on a regular basis and have them replaced by an authorized specialist if they are damaged. Check the

extension cable regularly and replace it if damaged. Keep handles dry and free from oil and grease.

- **Pull the power plug**
  - When tools are not in use, before starting any maintenance work or when changing attachments such as saw blades, drill bits and all kinds of mounted tools.
- **Always remove keys and wrenches after use**
  - Before switching on, make sure that all keys and wrenches have been removed from the tool.
- **Avoid unintentional starting**
  - Never carry a tool with your finger on the switch button while the tool is connected to the power supply. Make sure that the switch is turned off when connecting the tool to the power supply.
- **When using an extension cable outdoors**
  - Check that it is approved for outdoor duty and is marked accordingly.
- **Be alert at all times**
  - Keep an eye on your work. Use common sense when working. Never use the tool when you are distracted.
- **Check the equipment for damage**
  - Before using the tool again, check the safety devices or any slightly damaged parts to ensure that they are in good working order. Check that the moving parts are working correctly, that they do not jam, and that no parts are damaged. Make sure that all parts are fitted correctly to ensure that the equipment remains safe to use. Unless otherwise stated in the operating instructions, damaged guards and parts have to be repaired or replaced by a customer service workshop. Damaged switches have to be replaced by a customer service workshop. Never use an electric power tool with a switch that cannot be turned on and off.
- **Important!**
  - For your own safety you must only use the accessories and additional units listed in the operating instructions or recommended or specified by the manufacturer. The use of mounted tools or accessories other than

those recommended in the operating instructions or catalog may place your personal safety at risk.

- **Repairs may only be carried out by a qualified electrician**
  - This electric power tool complies with the pertinent safety information. Repair work must only be carried out by a trained electrician, otherwise the equipment may cause accidents.
- **Connect up a vacuum extraction system**
  - If there are provisions for connecting up a vacuum extraction system, make sure that such a system is fitted and in use.

## 2.2 Special safety information on the equipment

### 1. Safety precautions

- Change a worn out table insert.
- Use only blades which are recommended by the manufacturer and comply with EN 847-1.
- If necessary, wear suitable personal protection equipment. This could consist of:
  - Ear plugs to prevent the risk of damaging your hearing
  - A breathing mask to avoid the risk of inhaling hazardous dust
  - Always wear gloves when handling saw blades and rough materials. Whenever practicable, saw blades must be carried in a container.
- The following can have an influence on dust development:
  - Worn, damaged or cracked saw blades
  - Recommended capacity of the vacuum extraction system: 20 m/s
  - Proper guidance of the workpiece
- Blades made of high-alloy high-speed steel (HSS) must not be used.

GB/  
CY

## 2. Safety information on the laser



**Important:**  
**Laser radiation**  
**Do not look into the beam**  
**Laser class 2**



Protect yourself and your environment from accidents by taking the appropriate precautionary measures.

- Do not look directly into the laser beam with the naked eye.
- Never look directly into the laser path.
- Never direct the laser beam at reflecting surfaces, persons or animals. Even a low output laser beam can inflict injury on the eye.
- Caution: It is vital to follow the work procedures described in these instructions. Using the equipment in any other way may result in hazardous exposure to laser radiation.
- Never open laser module.
- When the laser is not going to be used for an extended period of time, the batteries should be removed.
- Never use an optical instrument (for example magnifying glass) to view the laser beam.
- Check the laser for damage on a regular basis and always before use. To protect yourself against injury, never use the equipment if it is damaged.
- Defective lasers have to be repaired by a customer service workshop.

### 3. Safety information on the batteries

- Never recharge the batteries. Danger of explosion.
- Keep batteries out of the reach of children. Do not throw batteries into the fire, short-circuit or take them apart.
- If necessary clean the contacts on the

batteries and equipment before inserting the batteries.

- Remove flat batteries immediately from the equipment. Risk of leakage!
- Always replace all batteries in one go. Only use new batteries of the same make.
- Avoid contact with skin, eyes and mucous membranes. If you come into contact with battery acid, rinse the affected parts at once with plenty of clear water and seek immediate medical assistance.
- Do not expose batteries to extreme conditions, e.g. do not place on heaters or in direct sunshine. Increased risk of leakage.

### 4. Maintenance and service

- The following conditions can have an influence on noise impact on the operator:
  - Type of saw blade (e.g. saw blades designed to reduce noise development)
  - Material of the workpiece
  - The force with which the workpiece is pushed against the saw blade
- Faults on the machine or its guards, safety devices and blade must be reported to the person in charge as soon as they are discovered.

### 5. Safe operation

- Use a suitable blade for the material you wish to saw.
- Never use the drag, crosscut and miter saw to cut any materials other than those specified by the manufacturer.
- Use only the transport devices to move the equipment. Never use the guards for handling or moving the equipment.
- Use the saw only if it is in perfect condition and properly maintained and only if the guards are correctly positioned.
- When cutting miters, make sure that the device for swiveling the arm is fastened securely.
- The floor around the machine must be level, clean and free of loose particles, such as chips and cutting residues.
- The operator must receive proper training in the use, adjustment and operation of the machine.
- Only use properly sharpened saw blades.

Do not exceed the maximum speed specified on the blade.

- Be sure to only use spacers and spindle rings specified by the manufacturer as suitable for the intended purpose.
- If the machine is equipped with a laser, this laser may not be replaced by a different type of laser. Repairs may only be carried out by the manufacturer of the laser or one of his authorized agents.
- Do not remove any cutting residues or other parts of workpieces from the cutting zone while the machine is running and the saw unit is not at rest.
- Make sure that the machine is always secured on a workbench or a table if at all possible.
- Support long workpieces (e.g. with a roller table) to prevent them sagging at the end of a cut.

#### 6. Additional safety information on crosscut saws

- Give these safety instructions to all persons who work on the machine.
- Do not use this saw to cut fire wood.
- **Caution!** Hands and fingers may be injured on the rotating saw blade.
- Before you use the machine for the first time, check that the voltage marked on the rating plate is the same as your mains voltage.
- If you need to use an extension cable, make sure its conductor cross-section is big enough for the saw's power consumption. Minimum cross-section: 1.5 mm<sup>2</sup>.
- If you use a cable reel, the complete cable must be pulled off the reel.
- Operators have to be at least 18 years of age. Trainees of at least 16 years of age are allowed to use the machine under supervision.
- Persons working on the machine should not be distracted.
- Note the direction of rotation of the motor and saw blade.
- After you have switched off the motor, never slow down the saw blade by applying pressure to its side.
- Only fit blades which are well sharpened

and have no cracks or deformations.

- Faulty saw blades must be replaced immediately.
- Never use saw blades which do not comply with the data specified in this manual.
- It is imperative to make sure that the arrow on the saw blade conforms with the arrow on the machine.
- Pull out the power plug and twist the blade with your hand into the 45° and 90° positions in order to make sure that the blade does not touch the turntable in any position. If necessary, readjust the saw head.
- It is imperative to make sure that all devices which cover the saw blade are in good working order.
- Never wedge the hinged saw blade guard in open position.
- Never dismantle the machine's safety devices or render them inoperative.
- Damaged or faulty safety devices have to be replaced immediately.
- Never cut workpieces which are too small to hold securely in your hand.
- Avoid placing your hands in hazardous positions in which, one or both hands could touch the saw blade if they slip suddenly.
- The saw must not be used for cutting round workpieces.
- There must be no nails or other foreign bodies in the part of the workpiece that you wish to saw.
- Always stand to the side of the saw blade when working with the saw.
- Never load the machine so much that it cuts out.
- Always press the workpiece firmly against the workbench and the stop rail to prevent the workpiece wobbling or twisting.
- Ensure that the off-cuts can be removed to the side of the saw blade. Otherwise it is possible that they will be caught by the saw blade and catapulted out of the machine.
- Never saw more than one workpiece at any one time.
- Never remove loose splinters, chips or jammed pieces of wood when the saw blade is running.
- To rectify faults or remove jammed pieces

GB/  
CY

of wood, always switch off the machine first.

- Pull out the power plug-

- Refit all guards and safety devices immediately after you have completed any repairs or maintenance work.
- Be sure to observe the safety information and operating and maintenance instructions issued by the manufacturer, as well as the dimensions listed in the Technical Data.
- It is imperative to observe the accident prevention regulations in force in your area as well as all other generally recognized rules of safety.
- It is imperative to observe the accident prevention regulations in force in your area as well as all other generally recognized rules of safety.
- Operation in enclosed areas is permitted only with a suitable vacuum extraction system.
- The crosscut saw has to be connected to a 230 V socket-outlet (shock-proof socket) with earthing contact and minimum fusing of 10 A.
- Do not use any low-powered machines for heavy duty work.
- Be careful when working in vertical mode.
- Caution: Take extra care when making double miter cuts!

**Please keep these safety instructions in a safe place**

### 3. Layout

1. Handle
  2. ON/OFF switch
  3. Release lever
  4. Saw shaft lock
  5. Machine head
  6. Movable blade guard
  7. Saw blade
  8. Clamping device
  9. Workpiece support
  10. Locking screw for workpiece support
  11. Table insert
  12. Latched position lever
  13. Locking grip
  14. Pointer
  15. Scale
  16. Turntable
  17. Fixed saw table
  18. Additional stability bar
  19. Stop rail
  20. Scale
  21. Pointer
  22. Sawdust bag
  23. Locking screw
  24. Locking screw for drag guide
  25. Fastening bolt
  26. Drag guide
  27. Knurled screw for cutting depth limiter
  28. Stop for cutting depth limiter
  29. Adjustable stop rail
  30. Locking lever for adjustable stop rail
  31. Adjustment screw (90°)
  32. Adjustment screw (45°)
  33. Flange bolt
  34. Outer flange
  35. Laser
  36. ON/OFF switch for laser
  37. Battery compartment
  38. Battery compartment cover
  39. Screw
  40. Inner flange
- c) Wrench  
d) Counternut  
y) 45° stop angle (not supplied)  
y) 90° stop angle (not supplied)

## 4. Items supplied

- Drag, crosscut and miter Saw
- 2 x Clamping device (8)
- 2 x Workpiece support (9)
- Sawdust bag (22)
- Allen key
- Wrench (c)
- Additional stability bar (18)
- 2 x Battery (1.5 V LR6)

## 5. Intended use

The drag, crosscut and miter saw is designed to crosscut wood and plastic respective of the machine's size. The saw is not designed for cutting firewood.

The equipment is to be used only for its prescribed purpose. Any other use is deemed to be a case of misuse. The user / operator and not the manufacturer will be liable for any damage or injuries of any kind caused as a result of this.

Please note that our equipment has not been designed for use in commercial, trade or industrial applications. Our warranty will be voided if the equipment is used in commercial, trade or industrial businesses or for equivalent purposes.

The equipment is to be operated only with suitable saw blades. It is prohibited to use any type of cutting-off wheel.

To use the equipment properly you must also observe the safety information, the assembly instructions and the operating instructions to be found in this manual.


All persons who use and service the equipment have to be acquainted with this manual and must be informed about the equipment's potential hazards. It is also imperative to observe the accident prevention regulations in force in your area. The same applies for the general rules of health and safety at work. The manufacturer will not be liable for any changes made to the equipment nor for any

damage resulting from such changes. Even when the equipment is used as prescribed it is still impossible to eliminate certain residual risk factors. The following hazards may arise in connection with the machine's construction and design:

- Contact with the saw blade in the uncovered saw zone.
- Reaching into the running saw blade (cut injuries).
- Kick-back of workpieces and parts of workpieces.
- Saw blade fracturing.
- Catapulting of faulty carbide tips from the saw blade.
- Damage to hearing if ear-muffs are not used as necessary.
- Harmful emissions of wood dust when used in closed rooms.
- The product meets the requirements of EN 61000-3-11 and is subject to special connection conditions. This means that use of the product at any freely selectable connection point is not allowed.
- Given unfavorable conditions in the power supply the product can cause the voltage to fluctuate temporarily.
- The product is exclusively intended for use at connection points that have a continuous current-carrying capacity of at least 100 A per phase.
- As the user, you are required to ensure, in consultation with your electric power company if necessary, that the connection point at which you wish to operate the product meets the specified requirements.

GB/  
CY

## 6. Technical data

AC motor:	230V ~ 50Hz
Power:	1700 W
Operating mode:	S1
Idle speed $n_0$ :	4,800 min <sup>-1</sup>
Carbide saw blade:	∅ 210 x ∅ 30 x 2.8 mm
Number of teeth:	24
Swiveling range:	-45° / 0° / +45°
Miter cut:	0° to 45° to the left
Saw width at 90°:	205 x 65 mm
Saw width at 45°:	140 x 65 mm
Saw width at 2 x 45° (double miter cut):	140 x 40 mm
Protection class:	II / 
Weight:	approx. 15 kg
Laser class:	2
Wavelength of laser:	650 nm
Laser output:	≤ 1mW
Laser module power supply:	2 x 1.5 V Micro (AAA)

### Noise emission values

The saw's noise is measured in accordance with EN 61029.

	Idle speed
$L_{pA}$ sound pressure level	86 dB
$K_{pA}$ uncertainty	3 dB
$L_{WA}$ sound power level	99 dB
$K_{WA}$ uncertainty	3 dB

Total vibration values (vector sum of three directions) determined in accordance with EN 61029.

Vibration emission value  $a_h < 2.5 \text{ m/s}^2$   
K uncertainty = 1.5 m/s<sup>2</sup>

### Warning!

The specified vibration value was established in accordance with a standardized testing method. It may change according to how the electric equipment is used and may exceed the specified value in exceptional circumstances.

The specified vibration value can be used to compare the equipment with other electric power tools.

The specified vibration value can be used for initial assessment of a harmful effect.

### Reduce noise generation and vibration to a minimum!

- Use only equipment that is in perfect condition.
- Maintain and clean the equipment regularly.
- Adopt your way of working to the equipment.
- Do not overload the equipment.
- Have the equipment checked if necessary.
- Switch off the equipment when not in use.

## 7. Before starting the equipment

### 7.1 General information

- The equipment must be set up where it can stand securely, i.e. it should be bolted to a workbench, a universal base frame or similar.
- All covers and safety devices have to be properly fitted before the equipment is switched on.
- It must be possible for the blade to run freely.
- When working with wood that has been processed before, watch out for foreign bodies such as nails or screws, etc.
- Before you press the ON/OFF switch check that the saw blade is fitted correctly. Moving parts must run smoothly.
- Before you connect the equipment to the power supply make sure the data on the rating plate are identical to the mains data.



### 7.2 Assembling the saw (Fig. 1-2, 4-6)

- To adjust the turntable (16), loosen the locking grip (13) by approx. 2 turns and press the latched position lever (12) to disengage the turntable (16) (Figure 4).
- To release the saw from its bottom position, apply light downward pressure to the machine head (5). At the same time pull the safety pin (25) out of the motor mount. Turn the safety pin (25) through 90° so that the saw remains unlocked (Fig. 1-2).
- Swing the machine head (5) up until the release lever (3) latches into place (Fig. 1).
- Fit the clamping devices (8) on the left and/or right side of the fixed saw table (17) (Fig. 1).
- Undo the locking screws for the workpiece support (10) (Fig. 5).
- Mount the workpiece support (9) on the fixed saw table (17) and tighten the appropriate locking screw (10) (Fig. 5).
- Mount the second workpiece support (9) on the opposite side of the saw and secure with the appropriate locking screw (10).
- When the locking screw (23) is loosened, you can tilt the machine head (5) to the left by up to 45° (Fig. 1-2).
- Screw the additional stability bar (18) to the back of the equipment (Fig. 6).

### 7.3 Precision adjustment of the stop for crosscut 90° (Fig. 7-8)

- **No stop angle included.**
- Fasten the turntable (16) in 0° position.
- Undo the locking screw (23) and move the machine head (5) all the way to the right using the handle (1).
- Place the 90° angular stop (z) between the blade (7) and the turntable (16).
- Slacken the counternut (d). Adjust the adjustment screw (90°) (31) until the angle between the blade (7) and the turntable (16) equals 90°.
- Retighten the counternut (d) to secure this setting.
- Check the position of the pointer (21) on the scale (20). If necessary, release the pointer (21) with a crosstip screwdriver, move to the 0° position of the scale (20) and retighten.

### 7.4 Precision adjustment of the stop for miter cut 45° (Fig. 1, 7, 10-11)

- **No stop angle included.**
- Fasten the turntable (16) in 0° position.
- Undo the locking screw (23) and move the machine head (5) all the way to the left using the handle, until it coincides at 45°.
- Place the 45° stop angle (y) between the blade (7) and the turntable (16).
- Adjust the adjustment screw (32) so that the angle between the blade (7) and the turntable (16) equals exactly 45°.

## 8. Operation

### 8.1 Cross cut 90° and turntable 0° (Fig. 1-3, 12)

**Important!** The integral resetting springs will automatically lift the machine head. Do not simply let go of the handle (1) after cutting, but allow the machine head (5) to rise slowly, applying slight counter pressure as it does so.

For cutting widths up to approx. 100 mm it is possible to fix the saw's drag function with the locking screw for drag guide (24) in rear position. If the cutting width exceeds 100 mm you must ensure that the locking screw for drag guide (24) is slackened and that the machine head (5) can be moved.

**Important.** To make 90° crosscuts, the adjustable stop rail (29) must be fixed at the inner position.

- Open the locking lever (30) for the adjustable stop rail and push the adjustable stop rail inwards.
- The adjustable stop rail (29) must be fixed far enough in front of the innermost position that the distance between the stop rail (29) and the saw blade (7) amounts to a maximum of 5mm.
- Before making a cut, check that the stop rail (29) and the saw blade (7) cannot collide.
- Secure the locking lever (30) again.
- Move the machine head (5) to its upper position.
- Use the handle (1) to push back the machine head (5) and fix it in this position if

GB/  
CY

- required (dependent on the cutting width).
- Place the piece of wood to be cut at the stop rail (19) and on the turntable (16).
- Lock the material with the clamping device (8) on the fixed saw table (17) to prevent the material from moving during the cutting operation.
- Push down the release lever (3) to release the machine head (5).
- Press the ON/OFF switch (2) to start the motor.
- With the drag guide (26) fixed in place: use the handle (1) to move the machine head (5) steadily and with light pressure downwards until the saw blade (7) has completely cut through the workpiece.
- With the drag guide (26) not fixed in place: pull the machine head (5) all the way to the front. Lower the handle (1) to the very bottom by applying steady and light downward pressure. Now push the machine head (5) slowly and steadily to the very back until the saw blade (7) has completely cut through the workpiece.
- When the cutting operation is completed, move the machine head (5) back to its upper (home) position and release the ON/OFF button (2).

### 8.2 Cross cut 90° and turntable 0° - 45° (Fig. 1-3, 13)

The crosscut saw can be used to make crosscuts of 0° -45° to the left and 0° -45° to the right in relation to the stop rail.

**Important.** To make 90° crosscuts, the adjustable stop rail (29) must be fixed at the inner position.

- Open the locking lever (30) for the adjustable stop rail and push the adjustable stop rail inwards.
- The adjustable stop rail (29) must be fixed far enough in front of the innermost position that the distance between the stop rail (29) and the saw blade (7) amounts to a maximum of 5mm.
- Before making a cut, check that the stop rail (29) and the saw blade (7) cannot collide.
- Secure the locking lever (30) again.
- Release the turntable (16) by slackening the locking grip (13).

- Press the latched position lever (12). Turn the turntable (16) and scale pointer (14) to the desired angular setting on the scales (15) and lock into place with the locking grip (13). The saw has locking positions at angles of - 45°, -30°, -22.5°, -15°, 0°, 15°, 22.5°, 30° and 45°, at which you can engage latched position lever (12).
- Cut as described under section 8.1.

### 8.3 Miter cut 0°- 45° and turntable 0° (Fig. 1-3, 14)

The crosscut saw can be used to make miter cuts of 0° - 45° in relation to the work face.

**Important.** To make miter cuts (inclined saw head), the adjustable stop rail (29) must be fixed at the outer position.

- Open the locking lever (30) for the adjustable stop rail and push the adjustable stop rail outwards.
- The adjustable stop rail (29) must be fixed far enough in front of the innermost position that the distance between the stop rail (29) and the saw blade (7) amounts to a maximum of 5mm.
- Before making a cut, check that the stop rail (29) and the saw blade (7) cannot collide.
- Secure the locking lever (30) again.
- If required, dismantle the clamping device (8) or mount on the opposite side of the fixed saw table (17).
- Move the machine head (5) to its upper position.
- Fasten the turntable (16) in 0° position.
- Undo the locking screw (23). Use the handle (1) to tilt the machine head (5) to the left until the pointer (21) points to the required angle on the scale (20).
- Re-tighten the fixing screw (23).
- Use the handle (1) to push back the machine head (5) and fix it in this position if required (dependent on the cutting width).
- Place the piece of wood to be cut at the stop rail (19) and on the turntable (16).
- Lock the material with the clamping device (8) on the fixed saw table (17) to prevent the material from moving during the cutting operation.
- Push down the release lever (3) to release the machine head (5).

- Press the ON/OFF switch (2) to start the motor.
- With the drag guide (26) fixed in place: use the handle (1) to move the machine head (5) steadily and with light pressure downwards until the saw blade (7) has completely cut through the workpiece.
- With the drag guide (26) not fixed in place: pull the machine head (5) all the way to the front. Lower the handle (1) to the very bottom by applying steady and light downward pressure. Now push the machine head (5) slowly and steadily to the very back until the saw blade (7) has completely cut through the workpiece.
- When the cutting operation is completed, move the machine head (5) back to its upper (home) position and release the ON/OFF button (2).

#### 8.4 Miter cut 0°- 45° and turntable 0°- 45° (Fig. 1-3, 15)

The crosscut saw can be used to make miter cuts to the left of 0°- 45° in relation to the work face and, at the same time, 0° - 45° to the left or 0° - 45° to the right in relation to the stop rail (double miter cut).

**Important.** To make miter cuts (inclined saw head), the adjustable stop rail (29) must be fixed at the outer position.

- Open the locking lever (30) for the adjustable stop rail and push the adjustable stop rail outwards.
- The adjustable stop rail (29) must be fixed far enough in front of the innermost position that the distance between the stop rail (29) and the saw blade (7) amounts to a maximum of 5mm.
- Before making a cut, check that the stop rail (29) and the saw blade (7) cannot collide.
- Secure the locking lever (30) again.
- If required, dismantle the clamping device (8) or mount on the opposite side of the fixed saw table (17).
- Move the machine head (5) to its upper position.
- Release the turntable (16) by slackening the locking grip (13).
- Press the latched position lever (12). Turn the turntable (16) and scale pointer (14) to

the desired angular setting on the scales (15) and lock into place with the locking grip (13).

- Undo the locking screw (23) and use the handle (1) to tilt the machine head (5) to the left until it coincides with the required angle value (in this connection see also section 8.3).
- Re-tighten the fixing screw (23).
- Cut as described under section 8.3.

#### 8.5 Limiting the cutting depth (Fig. 16)

- The cutting depth can be infinitely adjusted using the screw (27). To do this loosen the knurled nut on the screw (27). Move the stop for the cutting depth limiter (28) to the outside. Turn the screw (27) in or out to set the required cutting depth. Then re-tighten the knurled nut on the screw (27).
- Check the setting by completing a test cut.

#### 8.6 Sawdust bag (Fig. 2)

The saw is equipped with a debris bag (22) for sawdust and chips.

The debris bag (22) can be emptied by means of a zipper at the bottom.

#### 8.7 Changing the saw blade (Fig. 1, 17-20) Remove the power plug!

**Important.**

**Wear safety gloves when changing the saw blade. Risk of injury.**

- Swing up the machine head (5). Use the safety pin (25) to lock the machine head in this position.
- Press the release lever (3). Swing up the saw blade guard (6) to the point where the recess in the saw blade guard (6) is above the flange bolt (33).
- Press the saw shaft lock (4) with one hand. With the other hand position the wrench (c) over the flange bolt (33).
- Firmly press the saw shaft lock (4) and slowly rotate the flange bolt (33) in clockwise direction. The saw shaft lock (4) engages after no more than one rotation.
- Now, using a little more force, slacken the flange screw (33) in the clockwise direction.
- Turn the flange screw (33) right out and remove the external flange (34).

GB/  
CY

- Take the blade (7) off the inner flange (40) and pull downwards and out.
- Carefully clean the flange screw (33), outer flange (34) and inner flange (40).
- Fit and fasten the new saw blade (7) in reverse order.
- **Important!** The cutting angle of the teeth, in other words the direction of rotation of the saw blade (7) must coincide with the direction of the arrow on the housing.
- Before continuing your work make sure that all safety devices are in good working condition.
- **Important!** Every time that you change the saw blade (7), check to see that it spins freely in the table insert (11) in both perpendicular and 45° angle settings.
- **Important!** The work to change and align the saw blade (7) must be carried out correctly.

### 8.8 Transport (Fig. 1-3)

- Retighten the locking grip (13) to secure the turntable (16) in place.
- Activate the release lever (3), press the machine head (5) downwards and secure with the safety pin (25). The saw is now locked in its bottom position.
- Fix the saw's drag function with the locking screw for drag guide (24) in rear position.
- Carry the equipment by the fixed saw table (17).
- When reassembling the equipment proceed as described under section 7.2.

### 8.9 Using the laser (Fig. 21-23/Item 35)

- **To switch on:** Move the ON/OFF switch of the laser (36) to the "1" position. A laser line is projected onto the material you wish to process, providing an exact guide for the cut.
- **To switch off:** Move the ON/OFF switch of the laser (36) to the "0" position.
- **Setting the laser:** The laser is adjusted with the screw (39) and glued in place ex-works. Further adjustment of the laser during operation is not required. Important. Do not look into the laser beam.
- **Replacing the battery:** Switch off the laser (35). Remove the battery compartment

cover (38). Remove the batteries and replace with new batteries (2 x 1.5 Volt Type R03, LR 03 Micro, AAA) Check that the battery terminals are positioned correctly when inserting new batteries. Close the battery compartment (37) again.

## 9. Replacing the power cable

If the power cable for this equipment is damaged, it must be replaced by the manufacturer or its after-sales service or similarly trained personnel to avoid danger.

## 10. Cleaning, maintenance and ordering of spare parts

Always pull out the mains power plug before starting any cleaning work.

### 10.1 Cleaning

- Keep all safety devices, air vents and the motor housing free of dirt and dust as far as possible. Wipe the equipment with a clean cloth or blow it down with compressed air at low pressure.
- We recommend that you clean the equipment immediately after you use it.
- Clean the appliance regularly with a damp cloth and some soft soap. Do not use cleaning agents or solvents; these may be aggressive to the plastic parts in the appliance. Ensure that no water can get into the interior of the equipment.

### 10.2 Carbon brushes

In case of excessive sparking, have the carbon brushes checked only by a qualified electrician. Important. The carbon brushes should not be replaced by anyone but a qualified electrician.

### 10.3 Servicing

There are no parts inside the equipment which require additional maintenance.

#### 10.4 Ordering replacement parts:

Please provide the following information on all orders for spare parts:

- Model/type of the equipment
- Article number of the equipment
- ID number of the equipment

For our latest prices and information please go to [www.isc-gmbh.info](http://www.isc-gmbh.info)

## 11. Disposal and recycling

The equipment is supplied in packaging to prevent it from being damaged in transit. The raw materials in this packaging can be reused or recycled. The equipment and its accessories are made of various types of material, such as metal and plastic. Defective components must be disposed of as special waste. Ask your dealer or your local council.

#### Disposing of batteries:

Batteries contain materials that are potentially harmful to the environment. Never place batteries in your household refuse, in fire or in water. Batteries should be collected, recycled or disposed of by environment-friendly means. Send your old batteries to iSC GmbH, Eschenstrasse 6 in D-94405 Landau. You can then be sure that the equipment will be correctly disposed of by the manufacturer.



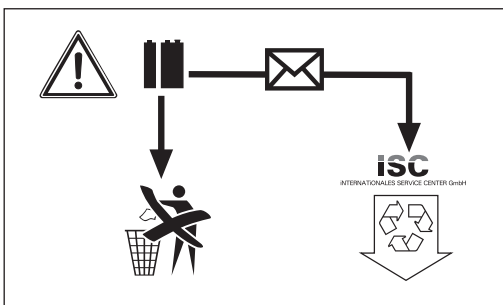
For EU countries only

Never place any electric power tools in your household refuse!

To comply with European Directive 2002/96/EC concerning old electric and electronic equipment and its implementation in national laws, old electric power tools have to be separated from other waste and disposed of in an environment-friendly fashion, e.g. by taking to a recycling depot.

Recycling as an alternative to returning to the manufacturer:

As an alternative to returning the equipment to the manufacturer, the owner is obligated to ensure that the equipment is properly disposed of when he abandons ownership. The old equipment can be returned to a suitable collection point that will dispose of it in accordance with the national recycling and waste disposal laws. This does not apply to any accessories or aids without electrical components which are supplied with the old equipment .



GB/  
CY

## 12. Declaration of conformity

Einhell Germany AG · Wiesenweg 22 · D-94405 Landau/Isar



## Konformitätserklärung

- (C)** erklärt folgende Konformität gemäß EU-Richtlinie und Normen für Artikel
- (EN)** explains the following conformity according to EU directives and norms for the following product
- (F)** déclare la conformité suivante selon la directive CE et les normes concernant l'article
- (I)** dichiara la seguente conformità secondo la direttiva UE e le norme per l'articolo
- (NL)** verklaart de volgende overeenstemming conform EU richtlijn en normen voor het product
- (E)** declara la siguiente conformidad a tenor de la directiva y normas de la UE para el artículo
- (P)** declara a seguinte conformidade, de acordo com a directiva CE e normas para o artigo
- (DK)** atterer følgende overensstemmelse i medfør af EU-direktiv samt standarder for artikel
- (S)** förklarar följande överensstämmelse enl. EU-direktiv och standarder för artikeln
- (FIN)** vakuuttaa, että tuote täyttää EU-direktiivin ja standardien vaatimukset
- (EL)** төөндөб тооге vastavust EL direktiivile ja standarditele
- (CZ)** vydává následující prohlášení o shodě podle směrnice EU a norem pro výrobek
- (SK)** potvrduje sledečo skladnost s smernico EU in standardi za izdelek
- (HU)** vydáva nasledujúce prehlásenie o zhode podľa smernice EÚ a noriem pre výrobok
- (H)** a cikkekhez az EU-irányvonal és Normák szerint a következő konformitást jelenti ki
- (PL)** deklaruje zgodność wymienionego poniżej artykułu z następującymi normami na podstawie dyrektywy WE.
- (BG)** декларира съответното съответствие съгласно Директива на ЕС и норми за артикул
- (LV)** paskaidro šādu atbilstību ES direktīvai un standartiem
- (LT)** apibūdina šį atitikimą EU reikalavimams ir prekės normoms
- (RO)** declară următoarea conformitate conform directivei UE și normelor pentru articolul
- (GR)** δηλώνει την ακόλουθη συμμόρφωση σύμφωνα με την Οδηγία ΕΚ και τα πρότυπα για το προϊόν
- (HR)** potvrđuje sljedeću usklađenost prema smjernicama EU i normama za artikl  
Izjava o sukladnosti za ovaj proizvod dostupna je na internet stranici www.lidl.hr.
- (SI)** potrjuje sljedeću usklađenost prema smjernicama EU i normama za artikl
- (HU)** potvrdjuje sledeću usklađenost prema smernicama EZ i normama za artikal
- (SL)** sledujočim udostoverjasta, čto sledujoče produkte sootvetstvujot direktivam i normam EC
- (BG)** проглаголуе про зазначену ниже відповідність виробу директивам та стандартам ЕС на виріб
- (LT)** Ūrūnū ile ilgli AB direktifleri ve normlari geređince aŗađida ađıklanan uygunluđu belirtir
- (C)** erklærer følgende samsvar i henhold til EU-direktivet og standarder for artikkel
- (IS)** Lýsir uppfyllingu EU-reglna og annarra stađa vöru

## Zug-, Kapp- und Gehrungssäge PKS 1700 A1 (Parkside)

- 87/404/EC\_2009/105/EC
- 2005/32/EC\_2009/125/EC
- 2006/95/EC
- 2006/28/EC
- 2004/108/EC
- 2004/22/EC
- 1999/5/EC
- 97/23/EC
- 90/396/EC\_2009/142/EC
- 89/686/EC\_96/58/EC
- 2006/42/EC
- Annex IV  
Notified Body:  
Notified Body No.:  
Reg. No.:
- 2000/14/EC\_2005/88/EC
- Annex V
- Annex VI  
Noise: measured  $L_{WA}$  = dB (A); guaranteed  $L_{WA}$  = dB (A)  
P = KW; L $\varnothing$  = cm  
Notified Body:
- 2004/26/EC  
Emission No.:

Standard references: EN 61029-1; EN 61029-2-9; EN 55014-1;  
EN 55014-2; EN 61000-3-2; EN 61000-3-11; EN 60825-1

Landau/Isar, den 08.09.2010

  
Weichselgartner/General Manager


  
Wentao/Product-Management

First CE: 10  
Art.-No.: 43.006.82 I.-No.: 11010  
Subject to change without notice

Archive-File/Record: 4300685-42-4199908-08  
Documents registrar: Siegfried Roider  
Wiesenweg 22, D-94405 Landau/Isar

# 13. GUARANTEE CERTIFICATE

## Dear Customer,

All of our products undergo strict quality checks to ensure that they reach you in perfect condition. In the unlikely event that your device develops a fault, please contact our service department at the address shown on this guarantee card. Of course, if you would prefer to call us then we are also happy to offer our assistance under the service number printed below. Please note the following terms under which guarantee claims can be made:

1. These guarantee terms cover additional guarantee rights and do not affect your statutory warranty rights. We do not charge you for this guarantee.
2. Our guarantee only covers problems caused by material or manufacturing defects, and it is restricted to the rectification of these defects or replacement of the device. Please note that our devices have not been designed for use in commercial, trade or industrial applications. Consequently, the guarantee is invalidated if the equipment is used in commercial, trade or industrial applications or for other equivalent activities. The following are also excluded from our guarantee: compensation for transport damage, damage caused by failure to comply with the installation/assembly instructions or damage caused by unprofessional installation, failure to comply with the operating instructions (e.g. connection to the wrong mains voltage or current type), misuse or inappropriate use (such as overloading of the device or use of non-approved tools or accessories), failure to comply with the maintenance and safety regulations, ingress of foreign bodies into the device (e.g. sand, stones or dust), effects of force or external influences (e.g. damage caused by the device being dropped) and normal wear resulting from proper operation of the device. This applies in particular to rechargeable batteries for which we nevertheless issue a guarantee period of 12 months.  
  
The guarantee is rendered null and void if any attempt is made to tamper with the device.
3. The guarantee is valid for a period of 3 years starting from the purchase date of the device. Guarantee claims should be submitted before the end of the guarantee period within two weeks of the defect being noticed. No guarantee claims will be accepted after the end of the guarantee period. The original guarantee period remains applicable to the device even if repairs are carried out or parts are replaced. In such cases, the work performed or parts fitted will not result in an extension of the guarantee period, and no new guarantee will become active for the work performed or parts fitted. This also applies when an on-site service is used.
4. In order to assert your guarantee claim, please send your defective device postage-free to the address shown below. Please enclose either the original or a copy of your sales receipt or another dated proof of purchase. Please keep your sales receipt in a safe place, as it is your proof of purchase. It would help us if you could describe the nature of the problem in as much detail as possible. If the defect is covered by our guarantee then your device will either be repaired immediately and returned to you, or we will send you a new device.

Of course, we are also happy offer a chargeable repair service for any defects which are not covered by the scope of this guarantee or for units which are no longer covered. To take advantage of this service, please send the device to our service address.

**EINHELL Hellas A. E.**  
Lasithiou Str. 4  
14342 Nea Philadelphia  
Tel. 0210 2776871 · Fax 0210 2776871

**HR**

<b>Sadržaj</b>	<b>Stranica</b>
1. Uvod .....	26
2. Sigurnosne napomene .....	26-29
3. Opis uređaja .....	30
4. Sadržaj isporuke .....	30
5. Namjenska uporaba .....	30-31
6. Tehnički podaci .....	31-32
7. Prije puštanja u rad .....	32-33
8. Pogon .....	33-35
9. Zamjena mrežnog kabela .....	36
10. Čišćenje, održavanje i naručivanje rezervnih dijelova .....	36
11. Zbrinjavanje u otpad i recikliranje .....	36-37
12. Izjava o usklađenosti .....	38
13. Jamstveni list .....	39

Naknadno tiskanje ili slična umnožavanja dokumentacije i pratećih papira ovih proizvoda, čak i djelomično kopiranje, moguće je samo uz izričito dopuštenje tvrtke ISC GmbH.

Zadržavamo pravo na tehničke izmjene.



## Tumačenje simbola na uređaju



„Upozorenje – pročitajte upute za uporabu kako bi se smanjio rizik ozljeđivanja“



**Nosite zaštitu za sluh.**

Djelovanje buke može uzrokovati gubitak sluha.



**Nosite masku za zaštitu od prašine.**

Kod obrade drva i drugih materijala može nastati po zdravlje opasna prašina. Ne smije se obradivati materijal koji sadrži azbest!



**Nosite zaštitne naočale.**

Iskre koje nastaju tijekom rada ili iverje, strugotine i prašina koja izlazi iz uređaja mogu uzrokovati gubitak vida.



**Pozor! Opasnost od ozljeđivanja!**

Ne zahvaćajte u rotirajući list pile!

## 1. Uvod

### ⚠ **Pozor!**

Prilikom uporabe uređaja morate se pridržavati sigurnosnih propisa kako biste spriječili nastanak ozljeda i šteta. Zato pažljivo pročitajte ove upute za uporabu/sigurnosne napomene. Dobro ih sačuvajte tako da vam informacije u svako doba budu na raspolaganju. Ako biste ovaj uređaj trebali predati drugim osobama, molimo da im prosljedite i ove upute za uporabu. Ne preuzimamo jamstvo za štete nastale zbog nepridržavanja ovih uputa za uporabu i sigurnosnih napomena.

## 2. Sigurnosne napomene

### ⚠ **UPOZORENJE**

**Pročitajte sve sigurnosne napomene i upute.** Propusti kod pridržavanja sigurnosnih napomena i uputa mogu uzrokovati električni udar, požar i/ili teške povrede.

**Sačuvajte sve sigurnosne napomene i upute za ubuduće.**

### 2.1 Opće napomene o sigurnom radu elektrouređaja

**Pozor! Prilikom korištenja elektroalata treba se pridržavati sljedećih sigurnosnih mjera za zaštitu od električnog udara, ozljeđivanja i požara. Prije nego što počnete koristiti uređaj, pročitajte i pridržavajte se ovih napomena.**

- **Radno područje držite urednim.**
  - Nered u radnom području prouzrokuje opasnost od nesreće.
- **Uvažavanje utjecaja okoline**
  - Ne izlažite elektroalate kiši. Ne koristite elektroalate u vlažnoj ili mokroj okolini. Pobrinite se za dobru rasvjetu. Ne koristite elektroalate u blizini zapaljivih tekućina ili plinova.
- **Zaštitite se od električnog udara.**
  - Izbjegavajte dodir tijela s uzemljenim dijelovima, npr. cijevima, grijaćim tijelima, štednjacima, hladnjacima.
- **Djecu držite podalje!**

– Ne dopustite drugim osobama da dodiruju alat ili kabel, držite ih podalje od Vašeg radnog područja.

- **Alat pospremajte na sigurno mjesto.**
  - Alat koji ne koristite morate spremati u suhoj, zatvorenoj za djecu nedostupnoj prostoriji.
- **Ne preopterećujte Vaš alat.**
  - Radit ćete bolje i sigurnije u navedenom području snage.
- **Koristite pravilan elektroalat.**
  - Nemojte koristiti preslabi alat ili uređaje za teške radove. Ne koristite alat u svrhe i radove za koje nije namijenjen; npr. ne koristite ručnu kružnu pilu za obaranje stabala ili rezanje grana.
- **Nosite prikladnu radnu odjeću**
  - Ne nosite široku odjeću ili nakit. Mogli bi Vas zahvatiti pokretni dijelovi. Prilikom radova na otvorenom preporučujemo gumene rukavice i obuću u kojoj se ne skliže. Nosite mrežicu za dugu kosu.
- **Koristite zaštitne naočale**
  - Koristite masku za dišne puteve kod radova koji stvaraju prašinu.
- **Ne koristite kabel u svrhe za koje nije namijenjen**
  - Ne nosite alat za kabel i ne koristite ga za izvlačenje utikača iz utičnice. Mrežni kabel zaštitite od vrućine, ulja i oštih bridova.
- **Osigurajte radni komad.**
  - Da biste radni komad fiksirali, koristite stezne naprave ili škripac. Na taj je način on sigurnije fiksiran nego u Vašim rukama i omogućuje rukovanje strojem objema rukama.
- **Ne remetite stabilnost Vašeg radnog položaja**
  - Izbjegavajte nenormalne položaje tijela. Pobrinite se za siguran položaj i uvijek držite ravnotežu.
- **Brižljivo nježite Vaš alat**
  - Držite vaš alat oštirim i čistim, da bi mogao dobro i sigurno raditi. Pridržavajte se propisa o održavanju i napomena kod zamjene alata. Redovito kontrolirajte utikač i kabel i u slučaju da se ošteti, dajte ovlaštenom električaru da ga zamijeni. Redovito kontrolirajte produžni kabel i zamijenite ga, ako je oštećen. Ručke moraju

biti suhe i očišćene od ulja i masti.

- **Izvučite mrežni utikač**
  - U slučaju nekorisćenja, prije održavanja i kod zamjene alata, kao npr. lista pile, svrdla i strojnih alata svih vrsta.
- **Ne ostavljajte utaknut ključ za alat**
  - Prije uključivanja provjerite jesu li ključ i alati za podešavanje uklonjeni.
- **Izbjegavajte neoprezno puštanje u rad**
  - Ne nosite alate koji su priključeni na strujnu mrežu držeći prst na prekidaču. Provjerite je li sklopka isključena prilikom uključivanja uređaja u strujnu mrežu.
- **Produžni kabel na otvorenom**
  - Na otvorenom koristite samo za to dopušteni i na odgovarajući način označeni produžni kabel.
- **Uvijek budite pažljivi**
  - Pazite što radite. Razumno započnite s radom. Ne koristite alat, ako niste koncentrirani.
- **Provjerite postoje li na uređaju eventualna oštećenja.**
  - Prije daljnje uporabe alata mora se dobro provjeriti funkcioniraju li zaštitne naprave ili neznatno oštećeni dijelovi besprijekorno i namjenski. Provjerite funkcioniraju li pokretni dijelovi propisno i ne zapinju li odnosno jesu li oštećeni. Sve dijelove morate točno montirati kako bi se zajamčio siguran rad uređaja. Oštećene zaštitne naprave i dijelove mora stručno popraviti ili zamijeniti ovlaštenu servis, osim ako u uputama za uporabu nije drukčije navedeno. Oštećenu sklopku neka zamijeni servisna služba. Ne koristite alate kod kojih se sklopka ne može uključiti i isključiti.
- **Pozor!**
  - Za Vašu vlastitu sigurnost koristite samo pribor i dodatne uređaje koji su navedeni u uputama za uporabu ili ih je preporučio i naveo proizvođač alata. Korištenje drugačijeg alata ili pribora od onog koji se preporuča u uputama za uporabu ili katalogu može za Vas predstavljati opasnost od ozljeđivanja.
- **Popravke smije izvoditi samo električar**
  - Ovaj elektroalat odgovara zakonskim sigurnosnim odredbama. Popravke smije obavljati samo električar, u suprotnom može

doći do nesreće po korisnika.

- **Priključite napravu za odsisavanje prašine**
  - Ako postoje priključci za naprave za odsisavanje prašine, provjerite jesu li one priključene i koriste li se.

## 2.2 Specijalne sigurnosne napomene o uređaju

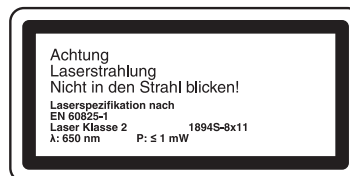
### 1. Sigurnosne napomene

- Zamijenite istrošene umetke stola.
- Koristite samo listove pile koje je preporučio proizvođač i koji odgovaraju normi EN 847-1.
- Ako je potrebno, nosite prikladnu osobnu zaštitnu opremu. Ona može sadržavati:
  - zaštitu sluha za sprječavanje rizika od naglušnosti;
  - zaštitu dišnih organa za smanjenje rizika od udisanja opasne prašine.
  - Kod rukovanja listovima pile i grubim materijalima nosite rukavice. Listovi pile uvijek se moraju čuvati u prikladnoj futroli u upotrebljivom stanju.
- Sljedeći faktori mogu utjecati na stvaranje prašine:
  - Istrošeni, oštećeni ili napukli listovi pile.
  - Preporučljiva snaga usisavanja 20 m/s
  - Radni komad trebata voditi pravilno
- Ne smijete koristiti listove pile od visokolegiranog brzoreznog čelika (HSS-čelik).

### 2. Sigurnosne napomene za laser



**Pozor:  
Lasersko zračenje  
Nemojte gledati u zraku  
Klasa lasera 2**



Zaštitite sebe i svoju okolinu prikladnim mjerama opreza od nesreća.

- Ne gledajte nezaštićenim očima u lasersku zraku.
- Nikad ne gledajte u izvor zrake.
- Lasersku zraku nemojte usmjeravati na reflektirajuće površine, osobe ili životinje. Čak i laserska zraka neznatne snage može oštetiti oči.
- Oprez - ako se izvodi drugačiji postupak od ovdje navedenog, to bi moglo dovesti do opasne ekspozicije zračenja.
- Nikad nemojte otvarati laserski modul.
- Ako dulje vrijeme ne koristite pilu, trebali biste izvaditi baterije.
- Nikad nemojte koristiti neki optički instrument (npr. povećalo) da biste promatrali lasersku zraku.
- Redovito kontrolirajte laser na oštećenja prije uporabe. Ne koristite uređaj ako uočite oštećenja kako biste izbjegli opasnosti.
- Neispravan laser dajte na popravak samo servisnoj radionici.

### 3. Sigurnosne napomene za baterije

- Nikad ne pokušavajte puniti baterije. Postoji opasnost od eksplozije.
- Baterije držite podalje od djece, ne bacajte ih u vatru, ne spajajte kratko niti rastavljajte.
- Prije umetanja po potrebi očistite kontakte baterija i uređaja.
- Ispražnjene baterije odmah izvadite iz uređaja. Opasnost od curenja!
- Uvijek istovremeno mijenjajte sve baterije. U tu svrhu koristite samo baterije istog tipa.
- Izbjegavajte kontakt s očima, kožom i sluznicom. U slučaju kontakta s kiselinom baterije mjesto kontakta odmah isperite s dosta čiste vode i obavezno potražite liječničku pomoć.
- Ne izlažite baterije ekstremnim uvjetima, npr. grijaćim tijelima, sunčevom zračenju! Povećana opasnost od curenja!

### 4. Održavanje i servis

- Sljedeći elementi mogu utjecati na buku na radnom mjestu.
  - vrsta lista pile (npr. listovi pile za smanjenje utjecaja buke)
  - materijal radnog komada
  - sila kojom se radni komad gura prema listu pile

- Čim otkrijete greške na stroju, uključujući zaštitnih naprava i lista pile, odmah to dojavite osobi odgovornoj za sigurnost na radu.

### 5. Siguran rad

- Odaberite list pile prikladan za materijal koji ćete rezati.
- Kružnu pilu za prorezivanje i koso rezanje nikad nemojte koristiti za rezanje drugačijih materijala od onih koje je naveo proizvođač.
- Kod transportiranja stroja koristite samo transportna sredstva, a nikad zaštitne naprave za rukovanje ili transport.
- Pilu koristite samo ako je u besprijekornom stanju, propisno održavana i ako se sve zaštitne narpave nalaze u predviđenom položaju.
- Pripazite na to da naprava za zakretanje kraka kod kosog rezanja bude sigurno pričvršćena.
- Pod oko stroja mora biti ravan, čist i bez otpadnog materijala, kao npr. piljevina i ostaci rezanja.
- Osoba koja rukuje pilom mora biti dostatno upućena u korištenje, podešavanje i rukovanje strojem.
- Koristite samo pravilno nabrušene listove pile. Pridržavajte se najvećeg broja okretaja navedenog na listu pile.
- Pripazite na to da koristite samo one distančne ploče i prstene vretena koji su prikladni za svrhu koju je naveo proizvođač.
- Ako je stroj opremljen laserom, ne smijete ga zamijeniti laserom drugog tipa. Popravke smiju obavljati samo osobe koje je ovlastio proizvođač lasera.
- Ne uklanjajte ostatke rezanja ili slične dijelove radnog komada iz reznog područja, tako dugo dok stroj radi, a agregat pile se još nije umirio.
- Pripazite na to da stroj, ako je to moguće, uvijek pričvrstite na radni stol ili neki prikladni stol.
- Duge radne komade osigurajte na završetku rezanja od prevrtanja (npr. stalkom).

## 6. Dodatne sigurnosne napomene za pile za prorezivanje

- Prosljedite sigurnosne napomene svim osobama koje će raditi strojem.
- Nemojte koristiti pilu za rezanje ogrjevnog drva.
- **Oprez!** Zbog rotirajućeg lista pile postoji opasnost od ozljede ruku i prstiju.
- Prije nego što ćete stroj priključiti, provjerite je li napon mreže u skladu s podacima na tipskoj pločici.
- Ako trebate produžni kabel, provjerite je li njegov presjek dovoljan za provođenje struje za rad pile. Najmanji presjek 1,5 mm<sup>2</sup>.
- Kolute koristite samo ako je kabel odmotan.
- Osoba koja rukuje strojem mora imati najmanje 18 godina, pripravnici barem 16, ali uz nadzor.
- Ne skrećite pozornost osobama koje rade na stroju.
- Obratite pažnju na smjer vrtnje motora i lista pile.
- Nakon isključivanja pogona ni u kojem slučaju nemojte list pile zaustavljati bočnim pritiskom.
- Montirajte samo dobro nabrušene, cijele i nedeformirane listove pile.
- Neispravni listovi pile moraju se odmah zamijeniti.
- Ne koristite listove pile koji ne odgovaraju karakteristikama navedenim u ovim uputama za uporabu.
- Provjerite podudara li se strelica na listu pile sa strelicom na uređaju.
- Provjerite ne dodiruje li list pile u bilo kojem položaju okretni stol, tako da rukom, uz izvučeni mrežni utikač, okrenete list pile u položaj 45° i 90°. Po potrebi nanovo podesite glavu pile.
- Provjerite rade li sve naprave koje prekrivaju list pile besprijekorno.
- Pokretni zaštitni poklopac ne smije zapinjati kad je otvoren.
- Sigurnosne naprave na stroju ne smiju se demontirati niti onesposobljavati.
- Oštećene ili neispravne sigurnosne naprave obavezno zamijenite.
- Ne režite premale komade koje ne možete sigurno držati rukama.
- Izbjegavajte neprikladne položaje ruku kod kojih bi jedna ili obje ruke zbog iznenadnog proklizavanja mogle dodirnuti list pile.
- Okrugle radne komade ne smijete rezati.
- U dijelu radnog komada koji režemo ne smiju se nalaziti čavli ili slična strana tijela.
- Radni položaj Vam uvijek mora biti sa strane lista pile.
- Ne opterećujte stroj tako da se zaustavi.
- Uvijek čvrsto gurajte radni komad prema radnoj ploči i graničnoj vodilici, da biste spriječili klimanje odnosno zakretanje radnog komada.
- Provjerite mogu li se odrezani komadi uklanjati bočno od lista pile. U suprotnom postoji mogućnost da ih list pile zahvati i odbaci.
- Nemojte piliti više radnih komada odjednom.
- Nikad ne uklanjajte labavo iverje, piljevinu ili ukliještene dijelove drveta dok list pile radi.
- Kod uklanjanja smetnji ili ukliještenih drvenih komada isključite stroj. - Izvucite mrežni utikač -
- Sve zaštitne i sigurnosne naprave moraju se montirati odmah nakon obavljenog popravka ili radova održavanja.
- Pridržavajte se proizvođačevih napomena o sigurnosti, načinu rada i održavanja kao i dimenzija navedenih u Tehničkim podacima.
- Morate se pridržavati zakonskih odredaba o sprječavanju nesreća na radu kao i ostalih opće priznatih sigurnosno-tehničkih pravila.
- Morate se pridržavati zakonskih odredaba o sprječavanju nesreća na radu kao i ostalih opće priznatih sigurnosno-tehničkih pravila.
- Rad u zatvorenim prostorijama dopušten je samo uz prikladan uređaj za odsisavanje.
- Pilu za prorezivanje morate priključiti na utičnicu 230 V (sa zaštitnim kontaktom) s osiguračem od najmanje 10 A.
- Nemojte koristiti slabije strojeve za teške radove.
- Budite naročito oprezni kod okomitih radova.
- Pozor, naročito budite oprezni kod dvostrukih kosih rezova!

**Dobro pohranite ove sigurnosne napomene.**

### 3. Opis uređaja

1. Ručka
2. Sklopka za uključivanje/isključivanje
3. Poluga za deblokiranje
4. Blokada osovine pile
5. Glava stroja
6. Pokretna zaštitna lista pile
7. List pile
8. Stezna naprava
9. Podloga radnog komada
10. Vijak za fiksiranje podloge radnog komada
11. Uložak stola
12. Poluga za fiksiranje položaja
13. Ručka za fiksiranje
14. Kazaljka
15. Skala
16. Okretni stol
17. Fiksni stol pile
18. Dodatni stalak
19. Granična vodilica
20. Skala
21. Kazaljka
22. Vreća za sakupljanje piljevine
23. Pričvrsni vijak
24. Vijak za fiksiranje povlačne vodilice
25. Sigurnosni svornjak
26. Povlačna vodilica
27. Nazubljeni vijak za ograničavanje dubine rezanja
28. Graničnik dubine rezanja
29. Pomična granična vodilica
30. Poluga za fiksiranje pomičnih graničnih vodilica.
31. Vijak za justiranje (90°)
32. Vijak za justiranje (45°)
33. Vijak prirubnice
34. Vanjska prirubnica
35. Laser
36. Sklopka za uključivanje/isključivanje lasera
37. Pretinac za bateriju
38. Poklopac pretinca za bateriju
39. Vijak
40. Unutrašnja prirubnica

- c) Ključ za vijke
- d) Kontramatica
- y) Granični kutnik za 45° (nije sadržan u isporuci)
- z) Granični kutnik 90° (nije sadržan u opsegu isporuke)

### 4. Sadržaj isporuke

- Ručna kružna pila za prorezivanje i koso rezanje
- 2 x stezna naprava (8)
- 2 x podloga radnog komada (9)
- Vreća za sakupljanje piljevine (22)
- Imbus ključ
- Ključ za vijke (c)
- dodatno postolje (18)
- 2 x baterija (1,5 V LR6)

### 5. Namjenska uporaba

Ručna kružna pila za prorezivanje i koso rezanje služi za rezanje drveta i plastike u skladu s veličinom stroja. Pila nije prikladna za rezanje ogrjevnog drva.

Stroj se smije koristiti samo namjenski. Svaka drugačija uporaba nije namjenska. Za štete ili ozljeđivanja svih vrsta koji bi nastali zbog takve uporabe odgovoran je korisnik/rukovatelj, a nikako proizvođač.

Molimo da obratite pažnju na to da naši uređaji nisu prikladni za uporabu u komercijalne, obrtničke ili industrijske svrhe. Ne preuzimamo jamstvo ako se uređaj koristi u komercijalne i industrijske svrhe kao i u sličnim djelatnostima.

Smiju se koristiti samo listovi pile koji su prikladni za ovaj stroj. Zabranjena je uporaba reznih ploča svih vrsta.


Sastavni dio namjenske uporabe predstavlja pridržavanje sigurnosnih napomena kao i uputa za montažu i pogonske napomene u uputama za uporabu.

Osobe koje rukuju strojem ili ga održavaju moraju se upoznati s prije navedenim i biti

upućene u moguće opasnosti. Pritom se treba točno pridržavati važećih propisa o sprječavanju nesreća pri radu. Obratite pozor na ostala opća pravila koja vrijede u medicini rada i sigurnosno-tehničkim područjima. Promjene na stroju isključuju jamstvo proizvođača i iz tog nastale štete. Unatoč namjenskoj uporabi ipak mogu nastati određeni faktori rizika. Uvjetovano konstrukcijom i ustrojstvom stroja mogu nastati sljedeće situacije:

- Dodirivanje lista pile u nepokrivenom području.
- Dodirivanje rotirajućeg lista pile (porezotina)
- Izbacivanje radnih komada i njihovih dijelova.
- Lom lista pile.
- Izbacivanje neispravnih kaljenih dijelova metala lista pile.
- Oštećenje sluha zbog nekorištenja potrebne zaštite za sluh.
- Emisije opasne po zdravlje u slučaju korištenja u zatvorenim prostorima.
- Proizvod ispunjava zahtjeve EN 61000-3-11 i podliježe obavezi specijalnog priključivanja. To znači da nije dopušten priključak na priključno mjesto po volji.
- U nekim nepovoljnim okolnostima uređaj može u mreži izazvati povremena kolebanja napona.
- Proizvod je isključivo namijenjen priključivanju na mjesta u mreži koja se mogu trajno opteretiti s najmanje 100 A po fazi.
- Vi kao korisnik dužni ste provjeriti, po potrebi se konzultirati s distributerom el. energije, ispunjava li mjesto priključivanja proizvoda navedene uvjete.

## 6. Tehnički podaci

Izmjenični motor:	230 V ~ 50 Hz
Snaga:	1700 vata
Vrsta pogona:	S1
Broj okretaja u praznom hodu $n_0$ :	4800 min <sup>-1</sup>
List pile od kaljenog materijala:	
	Ø 210 x Ø 30 x 2,8 mm
Broj zubaca:	24
Područje zakretanja:	-45° / 0° / +45°
Kosi rez:	0° do 45° ulijevo
Širina pile kod 90°:	205 x 65 mm
Širina pile kod 45°:	140 x 65 mm
Širina pile kod 2 x 45°: (dvostruki kosi rez)	140 x 40 mm
Klasa zaštite:	II / 
Težina:	oko 15 kg
Klasa lasera:	2
Valna dužina lasera:	650 nm
Snaga lasera:	≤ 1mW
Struja za napajanje laserskog modula:	2 x 1,5 V Micro (AAA)

### Vrijednosti emisije buke

Buka ove pile izmjerena je u skladu s normom EN 61029.

	Prazni hod
Razina zvučnog tlaka $L_{pA}$ :	86 dB
Nesigurnost $K_{pA}$ :	3 dB
Intenzitet buke $L_{WA}$ :	99 dB
Nesigurnost $K_{WA}$ :	3 dB

Ukupne vrijednosti vibracija (vektorski zbroj triju smjerova) izmjerene su prema EN 61029.

Vrijednost emisije vibracija  $a_n < 2,5 \text{ m/s}^2$   
Nesigurnost  $K = 1,5 \text{ m/s}^2$

**Upozorenje!**

Navedena vrijednost emisije vibracija izmjerena je prema normiranom postupku ispitivanja i može se, ovisno o načinu korištenja elektroalata, promijeniti a u izuzetnim slučajevima može biti i veća od navedene vrijednosti.

Navedena vrijednost emisije vibracija može se koristiti u svrhu usporedbe elektroalata jedne tvrtke s elektroalatom neke druge tvrtke.

Navedena vrijednost emisije vibracija može se također koristiti za početnu procjenu ugrožavanja zdravlja.

**Ograničite stvaranje buke i vibracija na minimum!**

- Koristite samo besprijeorne uređaje.
- Redovito čistite i održavajte uređaj.
- Svoj način rada prilagodite uređaju.
- Ne preopterećujte uređaj.
- Po potrebi predajte uređaj na kontrolu.
- Isključite uređaj kada ga ne koristite.

**7. Prije puštanja u rad****7.1 Općenito**

- Stroj se mora postaviti stabilno, što znači pričvrstiti na radni stol, univerzalno postolje ili slično.
- Prije puštanja u rad moraju se montirati svi poklopci i sigurnosne naprave.
- List pile mora se slobodno kretati.
- Drvo koje ćete obrađivati provjerite na eventualno zaostala strana tijela, kao npr. čavle ili vijke i sl.
- Prije aktiviranja sklopke za uključivanje/isključivanje list pile mora biti pravilno montiran. Pokretljivi dijelovi moraju se lako kretati.
- Prije priključivanja provjerite odgovaraju li podaci na pločici podacima o mreži.

**7.2 Montaža pile (slike 1- 2, 4-6)**

- Za podešavanje okretnog stola (16) olabavite ručku za fiksiranje (13) za oko 2 okretaja i pritisnite polugu za fiksiranje položaja (12) kako biste otpustili okretni stol (16) (slika 4).
- Za deblokiranje pile iz donjeg položaja pritisnite glavu stroja (5) lagano prema dolje. Istovremeno izvucite sigurnosni svornjak (25) iz držača motora. Okrenite sigurnosni svornjak (25) za 90°, da bi bila ostala deblokirana (slika 1-2).
- Glavu stroja (5) zakrenite prema gore, tako da poluga za deblokiranje (3) dosjedne (slika 1).
- Montirajte stezne naprave (8) lijevo i/ili desno na fiksni stol pile (17) (slika 1).
- Otpustite vijke za fiksiranje podloge radnog komada (10) (slika 5).
- Montirajte podlogu radnog komada (9) na fiksni stol pile (17), pritegnite odgovarajući vijak (10) (slika 5).
- Drugu podlogu radnog komada (9) montirajte na suprotnu stranu pile i pričvrstite odgovarajućim vijkom za fiksiranje (10).
- Glava stroja (5) može se otpuštanjem vijka za fiksiranje (23) nagnuti ulijevo na maks. 45° (slika 1-2).
- Pričvrstite dodatni stalak (18) na poledinu stroja (slika 6).

**7.3 Fino justiranje graničnika za prorezivanje 90° (sl. 7- 8)**

- **Kutni graničnik ne spada u sadržaj isporuke.**
- Fiksirajte okretni stol (16) u položaju 0°.
- Otpustite vijak za fiksiranje (23) i pomoću ručke (1) nagnite glavu stroja (5) sasvim udesno.
- Postavite kutni graničnik od 90° (z) između lista pile (7) i okretnog stola (16).
- Olabavite kontramaticu (d). Podešavajte vijak za justiranje (90°) (31) toliko, da kut između lista pile (7) i okretnog stola (16) bude 90°.
- Ponovno pritegnite kontramaticu (d), da biste taj položaj fiksirali.
- Provjerite položaj kazaljke (21) na skali (20). Ako je potrebno, križnim odvijačem



otпустите казалику (21), поставите скалу (20) на положај 0° и поновно притегните.

#### 7.4 Fino justiranje graničnika za kosi rez 45° (sl. 1, 7, 10-11)

- **Kutni graničnik ne spada u sadržaj isporuke.**
- Fiksirajte okretni stol (16) u položaju 0°.
- Otpustite vijak za fiksiranje (23) i pomoću ručke (1) nagnite glavu stroja (5) sasvim ulijevo na 45°.
- Postavite kutni graničnik od 45° (y) između lista pile (7) i okretnog stola (16).
- Podešavajte vijak za justiranje (32) toliko, da kut između lista pile (7) i okretnog stola (16) bude točno 45°.

## 8. Pogon

### 8.1 Prorezivanje pod 90° i okretni stol na 0° (slike 1-3, 12)

**Pozor!** Zbog povratne opruge stroj se automatski vraća prema gore, što znači da ručku (1) nakon završetka rezanja ne smijete pustiti, nego glavu stroja (5) polako i laganim protupritisnom pokrećite prema gore.

Kod dužina reza do oko 100 mm funkcija povlačenja pile može se pomoću vijka fiksirati na vodilici (24) u stražnjem položaju. Ako je dužina reza veća od 100 mm, morate pripaziti na to da vijak za fiksiranje na vodilici (24) bude otpušten, a glava stroja (5) pokretna.

**Pozor!** Pomična granična vodilica (29) mora se za rezove pod 90° fiksirati u unutrašnjem položaju.

- Otpustite polugu za fiksiranje (30) pomične granične vodilice i pomaknite vodilicu prema unutra.
- Pomična granična vodilica (29) mora se aretirati prije kraja unutrašnjeg položaja tako da razmak između vodilice (29) i lista pile (7) bude najviše 5 mm.
- Prije rezanja provjerite da nije moguć sudar između granične vodilice (29) i lista pile (7).
- Ponovno pritegnite polugu za fiksiranje (30).
- Dovedite glavu stroja (5) u gornji položaj.
- Pomoću ručke (1) pomaknite glavu stroja

(5) prema natrag i po potrebi je u tom položaju fiksirajte (ovisno o dužini reza).

- Položite drvo koje ćete rezati na graničnu vodilicu (19) i na okretni stol (16).
- Fiksirajte materijal pomoću stezne naprave (8) na fiksni stol pile (17) kako biste spriječili njegovo pomicanje tijekom rezanja.
- Pritisnite polugu za deblokadu (3) da biste oslobodili glavu stroja (5).
- Da biste uključili motor, pritisnite sklopku za uključivanje/isključivanje (2).
- Kod fiksirane povlačne vodilice (26): pomoću ručke (1) ravnomjerno i laganim pritiskom pokrećite glavu stroja (5) prema dolje, sve dok liste pile (7) ne proreže radni komad.
- Kod nefiksirane povlačne vodilice (26): pomaknite glavu stroja (5) do kraja prema naprijed. Spustite ručku (1) ravnomjerno uz lagani pritisak do kraja prema dolje. Sad polako i ravnomjerno pomičite glavu stroja (5) sasvim prema natrag, tako da list pile (7) u potpunosti prereže radni komad.
- Nakon završetka rezanja ponovno vratite glavu stroja (5) u gornji početni položaj i pustite sklopku za uključivanje/isključivanje (2).

### 8.2 Prorezivanje pod 90° i okretni stol na 0°- 45° (slike 1-3, 13)

Pomoću pile za prorezivanje mogu se izvoditi rezovi od 0° - 45° ulijevo i 0° - 45° udesno obzirom na graničnu vodilicu.

**Pozor!** Pomična granična vodilica (29) mora se za rezove pod 90° fiksirati u unutrašnjem položaju.

- Otpustite polugu za fiksiranje (30) pomične granične vodilice i pomaknite vodilicu prema unutra.
- Pomična granična vodilica (29) mora se aretirati prije kraja unutrašnjeg položaja tako da razmak između vodilice (29) i lista pile (7) bude najviše 5 mm.
- Prije rezanja provjerite da nije moguć sudar između granične vodilice (29) i lista pile (7).
- Ponovno pritegnite polugu za fiksiranje (30).
- Olabavite okretni stol (16) otpuštanjem ručke za fiksiranje (13).
- Pritisnite polugu za fiksiranje položaja (12). Okretni stol (16) i kazaljku (14) okrenite na

željenu kutnu mjeru skale (15) i fiksirajte ručkom (13). Pila se može uglavljivanjem poluge (12) namjestiti u položajima od  $-45^\circ$ ,  $-30^\circ$ ,  $-22,5^\circ$ ,  $-15^\circ$ ,  $0^\circ$ ,  $15^\circ$ ,  $22,5^\circ$ ,  $30^\circ$ , i  $45^\circ$ .

- Obavite rezanje na način opisan pod točkom 8.1.

### 8.3 Kosi rez $0^\circ$ - $45^\circ$ i okretni stol na $0^\circ$ - $45^\circ$ (slike 1-3, 14)

Pomoću pile za rezanje mogu se izvoditi kosi rezovi od  $0^\circ$  -  $45^\circ$  ulijevo prema radnoj plohi.

**Pozor!** Pomična granična vodilica (29) mora se za kose rezove (nagnuta glava pile) fiksirati u vanjskom položaju.

- Otpustite polugu za fiksiranje (30) pomične granične vodilice i pomaknite vodilicu prema van.
- Pomična granična vodilica (29) mora se aretirati prije kraja unutrašnjeg položaja tako da razmak između vodilice (29) i lista pile (7) bude najviše 5 mm.
- Prije rezanja provjerite da nije moguć sudar između granične vodilice (29) i lista pile (7).
- Ponovno pritegnite polugu za fiksiranje (30).
- Po potrebi demontirajte steznu napravu (8) ili je montirajte na suprotnu stranu fiksnog stola pile (17).
- Dovedite glavu stroja (5) u gornji položaj.
- Fiksirajte okretni stol (16) u položaju  $0^\circ$ .
- Otpustite vijak za fiksiranje (23). Pomoću ručke (1) naginjte glavu stroja (5) ulijevo tako da kazaljka (21) pokaže željenu kutnu mjeru na skali (20).
- Ponovno pritegnite vijak za fiksiranje (23).
- Pomoću ručke (1) pomaknite glavu stroja (5) prema natrag i po potrebi je u tom položaju fiksirajte (ovisno o dužini reza).
- Položite drvo koje ćete rezati na graničnu vodilicu (19) i na okretni stol (16).
- Fiksirajte materijal pomoću stezne naprave (8) na fiksni stol pile (17) kako biste spriječili njegovo pomicanje tijekom rezanja.
- Pritisnite polugu za deblokadu (3) da biste oslobodili glavu stroja (5).
- Da biste uključili motor, pritisnite sklopku za uključivanje/isključivanje (2).
- Kod fiksirane povlačne vodilice (26): pomoću ručke (1) ravnomjerno i laganim pritiskom pokrećite glavu stroja (5) prema dolje, sve dok liste pile (7) ne prereže radni

komad.

- Kod nefiksirane povlačne vodilice (26): pomaknite glavu stroja (5) do kraja prema naprijed. Spustite ručku (1) ravnomjerno uz lagani pritisak do kraja prema dolje. Sad polako i ravnomjerno pomičite glavu stroja (5) sasvim prema natrag, tako da list pile (7) u potpunosti prereže radni komad.
- Nakon završetka rezanja ponovno vratite glavu stroja (5) u gornji početni položaj i pustite sklopku za uključivanje/isključivanje (2).

### 8.4 Kosi rez $0^\circ$ - $45^\circ$ i okretni stol na $0^\circ$ - $45^\circ$ (slike 1-3, 15)

Pomoću pile za rezanje mogu se izvoditi kosi rezovi od  $0^\circ$  -  $45^\circ$  ulijevo prema radnoj plohi i istovremeno  $0^\circ$  -  $45^\circ$  udesno prema graničnoj vodilici (dvostruki kosi rez).

**Pozor!** Pomična granična vodilica (29) mora se za kose rezove (nagnuta glava pile) fiksirati u vanjskom položaju.

- Otpustite polugu za fiksiranje (30) pomične granične vodilice i pomaknite vodilicu prema van.
- Pomična granična vodilica (29) mora se aretirati prije kraja unutrašnjeg položaja tako da razmak između vodilice (29) i lista pile (7) bude najviše 5 mm.
- Prije rezanja provjerite da nije moguć sudar između granične vodilice (29) i lista pile (7).
- Ponovno pritegnite polugu za fiksiranje (30).
- Po potrebi demontirajte steznu napravu (8) ili je montirajte na suprotnu stranu fiksnog stola pile (17).
- Dovedite glavu stroja (5) u gornji položaj.
- Olabavite okretni stol (16) otpuštanjem ručke za fiksiranje (13).
- Pritisnite polugu za fiksiranje položaja (12). Okretni stol (16) i kazaljku (14) okrenite na željenu kutnu mjeru skale (15) i fiksirajte ručkom (13).
- Otpustite vijak za fiksiranje (23) i pomoću ručke (1) nagnite glavu stroja (5) ulijevo na željenu kutnu mjeru (vidi također točku 8.3).
- Ponovno pritegnite vijak za fiksiranje (23).
- Obavite rezanje na način opisan pod točkom 8.3.

### 8.5 Ograničenje dubine rezanja (slika 16)

- Pomoću vijka (27) može se kontinuirano podešavati dubina rezanja. U tu svrhu otpustite nazubljenu maticu na vijku (27). Postavite graničnik za ograničavanje dubine rezanja (28) prema van. Uvrtanjem i odvrtnjem vijka podesite željenu dubinu rezanja (27). Zatim ponovno pritegnite nazubljenu maticu na vijku (27).
- Provjerite podešenost na temelju probnog rezanja.

### 8.6 Vreća za sakupljanje piljevine (sl. 2)

Pila je opremljena vrećom za sakupljanje strugotine (22).

Vreću (22) možete isprazniti otvaranjem zatvarača na donjoj strani.

### 8.7 Zamjena lista pile (slike 1, 17-20)

#### Izvucite mrežni utikač!

#### Pozor!

#### Kod zamjene lista pile nosite zaštitne rukavice! Opasnost od ozljeđivanja!

- Glavu stroja (5) zakrenite prema gore. Aretirajte je u tom položaju pomoću sigurnosnog klina (25).
- Pritisnite polugu za doblokadu (3). Zaštiti lista pile (6) otklopite prema gore tako da otvor u zaštiti (6) bude iznad vijka prirubnice (33).
- Jednom rukom pritisnite blokadu osovine pile (4). Drugom rukom namjestite ključ (c) na vijak prirubnice (33).
- Čvrsto pritisnite blokadu osovine pile (4) i polako okrećite vijak prirubnice (33) u smjeru kazaljke na satu. Nakon maks. jednog okretaja blokada osovine pile (4) se uglavi.
- Sada s nešto više napora olabavite vijak prirubnice (33) u smjeru kazaljke na satu.
- Izvucite cijeli vijak (33) i skinite vanjsku prirubnicu (34).
- Skinite list pile (7) s unutrašnje prirubnice (40) i izvucite ga odozdo.
- Temeljito očistite vijak prirubnice (33), vanjsku (34) i unutrašnju prirubnicu (40).
- Ponovo stavite novi list pile (7) obrnutim redom i stegnite ga.
- **Pozor!** Kosina rezanja zubaca tj. smjer okretanja lista pile (7) mora biti u smjeru

strelice na kućištu.

- Prije nego nastavite raditi, provjerite funkcioniranje zaštitnih naprava.
- **Pozor!** Nakon svake zamjene lista pile provjerite prolazi li list pile (7) slobodno u okomitom položaju kao i pod kutom od 45° kroz prorez okretnog stola (11).
- **Pozor!** Zamjena i centriranje lista pile (7) mora se izvoditi propisno.

### 8.8 Transport (sl. 1 - 3)

- Pritegnite ručku za fiksiranje (13) da biste učvrstili okretni stol (16).
- Pritisnite polugu za deblokiranje (3), glavu stroja (5) pritisnite prema dolje i aretirajte pomoću sigurnosnog svornjaka (25). Pila je sad blokirana u donjem položaju.
- Vlačnu funkciju pile fiksirajte u stražnjem položaju pomoću vijka za fiksiranje vodilice (24).
- Stroj mora stabilno stajati na stolu pile (17).
- Za ponovnu montažu stroja postupite na način opisan pod točkom 7.2.

### 8.9 Rad lasera (slike 21-23/poz. 35)

- **Uključivanje:** Sklopku za uključivanje/isključivanje lasera (36) stavite u položaj „1“. Na radni komad koji se obrađuje projicira se laserska linija koja pokazuje točnu poziciju vodilice rezanja.
- **Isključivanje:** Sklopku za uključivanje/isključivanje lasera (36) stavite u položaj „0“.
- **Podešavanje lasera:** Laser je tvornički justiran pomoću vijka (39) i zalijepljen. Korigiranje lasera za vrijeme rada nije potrebno. Pozor! Nemojte gledati u lasersku zraku.
- **Zamjena baterija:** Isključite laser (35). Uklonite poklopac na pretincu s baterijom (38). Uklonite baterije i zamijenite ih novima (2 x 1,5 volti tip R03, LR 03 Micro, AAA). Prilikom zamjene baterija obratite pozornost na točan polaritet. Zatvorite poklopac na pretincu s baterijama (37).

## 9. Zamjena mrežnog kabela

Ako se kabel za priključivanje ovog uređaja na mrežu ošteti, mora ga zamijeniti proizvođač ili njegova servisna služba ili slična kvalificirana osoba kako bi se izbjegle opasnosti.

## 10. Čišćenje, održavanje i naručivanje rezervnih dijelova

Prije svih radova čišćenja izvucite mrežni utikač.

### 10.1 Čišćenje

- Zaštitne naprave, prolaze za zrak i kućište motora treba uvijek očistiti od prašine i nečistoća. Istrljajte uređaj čistom krpom ili ga ispušite komprimiranim zrakom pod niskim pritiskom.
- Preporučujemo da očistite uređaj odmah nakon svake uporabe.
- Redovito čistite uređaj vlažnom krpom i s malo kalijevog sapuna. Ne koristite otapala ni sredstva za čišćenje; ona bi mogla oštetiti plastične dijelove uređaja. Pripazite na to da u unutrašnjost uređaja ne dospije voda.

### 10.2 Ugljene četkice

U slučaju prekomjernog iskrenja kontrolu ugljenih četkica prepustite električaru. Pozor! Ugljene četkice smije zamijeniti samo električar.

### 10.3 Održavanje

U unutrašnjosti uređaja nema dijelova koje bi trebalo održavati.

### 10.4 Naručivanje rezervnih dijelova:

Kod naručivanja rezervnih dijelova trebali biste navesti sljedeće podatke:

- Tip uređaja
- Kataloški broj uređaja
- Identifikacijski broj uređaja

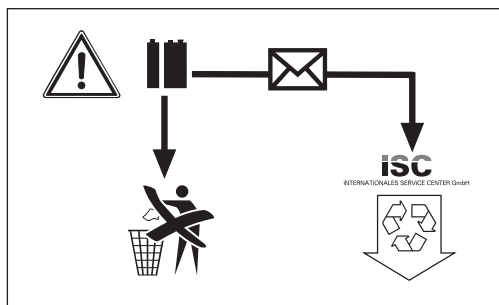
Aktualne cijene nalaze se na web stranici [www.isc-gmbh.info](http://www.isc-gmbh.info)

## 11. Zbrinjavanje u otpad i recikliranje

Uređaj je zapakiran na način koji sprječava oštećenja tijekom transporta. Ova pakovina je sirovina i može se ponovno upotrijebiti ili predati na reciklažu. Uređaj i njegov pribor sastavljeni su od raznih materijala, kao npr. metal i plastika. Neispravne sklopove odlažite u specijalni otpad. Raspitajte se u specijaliziranoj trgovini ili općinskoj upravi!

### Zbrinjavanje baterija

Baterije sadrže materijale koji štete okolišu. Baterije nemojte bacati u kućno smeće, vatru niti vodu. Treba ih sakupiti, reciklirati ili zbrinuti na ekološki prihvatljiv način. Molimo Vas da istrošene baterije pošaljete na adresu iSC GmbH, Eschenstraße 6 u D-94405 Landau. Tamo će proizvođač zbrinuti baterije na stručan način.





Samo za zemlje članice EU

Elektroalate nemojte bacati u kućno smeće!

Prema europskoj odredbi 2002/96/EG o starim električnim i elektroničkim uređajima i njenim prijenosom u nacionalno pravo, istrošeni električni alati trebaju se posebno sakupljati i na ekološki način zbrinuti na mjestu za reciklažu.

Alternativa s recikliranjem nasuprot zahtjevu za povrat:

Vlasnik električnog uređaja alternativno je obvezan da umjesto povrata uređaja u slučaju odricanja vlasništva sudjeluje u stručnom zbrinjavanju uređaja. Stari uređaj može se u tu svrhu predati i mjestu za preuzimanje takvih uređaja koje provodi uklanjanje u smislu državnih zakona o otpadu i recikliranju. Zakonom nisu obuhvaćeni dijelovi pribora ugrađeni u stare uređaje i pomoćni materijali bez električnih elemenata.

HR

## 12. Izjava o usklađenosti

Einhell Germany AG · Wiesenweg 22 · D-94405 Landau/Isar



## Konformitätserklärung

- erklärt folgende Konformität gemäß EU-Richtlinie und Normen für Artikel  
 explains the following conformity according to EU directives and norms for the following product  
 déclare la conformité suivante selon la directive CE et les normes concernant l'article  
 dichiara la seguente conformità secondo la direttiva UE e le norme per l'articolo  
 verklaart de volgende overeenstemming conform EU richtlijn en normen voor het product  
 declara la siguiente conformidad a tenor de la directiva y normas de la UE para el artículo  
 declara a seguinte conformidade, de acordo com a directiva CE e normas para o artigo  
 attesterer følgende overensstemmelse i medfør af EU-direktiv samt standarder for artikel  
 förklarar följande överensstämmelse enl. EU-direktiv och standarder för artikeln  
 vakuuttaa, että tuote täyttää EU-direktiivin ja standardien vaatimukset  
 töendab toote vastavust EL direktiivile ja standarditele  
 vydává následující prohlášení o shodě podle směrnice EU a norem pro výrobek  
 potvrđuje sledeću skladnost s smernico EU in standardi za izdelek  
 vydáva nasledujúce prehlásenie o zhode podľa smernice EÚ a noriem pre výrobok  
 a cikkekhez az EU-irányvonal és Normák szerint a következő konformitást jelenti ki  
 deklaruje zgodność wymienionego poniżej artykułu z następującymi normami na podstawie dyrektywy WE.  
 декларира съответното съответствие съгласно Директива на ЕС и норми за артикул  
 paskaidro šādu atbilstību ES direktīvai un standartiem  
 apibūdina šj atitikimą EU reikalavimams ir prekės normoms  
 declară următoarea conformitate conform directivei UE și normelor pentru articolul  
 δηλώνει την ακόλουθη συμμόρφωση σύμφωνα με την Οδηγία ΕΚ και τα πρότυπα για το προϊόν  
 potvrđuje sljedeću usklađenost prema smjernicama EU i normama za artikl  
 Izjava o sukladnosti za ovaj proizvod dostupna je na internet stranici www.lidl.hr.  
 potvrđuje sljedeću usklađenost prema smjernicama EU i normama za artikl  
 potvrđuje sledeću usklađenost prema smernicama EZ i normama za artikal  
 следующим удостоверяется, что следующие продукты соответствуют директивам и нормам ЕС  
 проголошує про зазначену нижче відповідність виробу директивам та стандартам ЄС на виріб  
 Ürünü ile ilgili AB direktifleri ve normları gereğince aşağıda açıklanan uygunluğu belirtir  
 erklærer følgende samsvar i henhold til EU-direktivet og standarder for artikkel  
 Lýsir uppfyllingu EU-reglna og annarra staða vöru

## Zug-, Kapp- und Gehrungssäge PKS 1700 A1 (Parkside)

- 87/404/EC\_2009/105/EC  
 2005/32/EC\_2009/125/EC  
 2006/95/EC  
 2006/28/EC  
 2004/108/EC  
 2004/22/EC  
 1999/5/EC  
 97/23/EC  
 90/396/EC\_2009/142/EC  
 89/686/EC\_96/58/EC  
 2006/42/EC  
 Annex IV  
 Notified Body:  
 Notified Body No.:  
 Reg. No.:  
 2000/14/EC\_2005/88/EC  
 Annex V  
 Annex VI  
 Noise: measured  $L_{WA}$  = dB (A); guaranteed  $L_{WA}$  = dB (A)  
 P = KW; L $\phi$  = cm  
 Notified Body:  
 2004/26/EC  
 Emission No.:

Standard references: EN 61029-1; EN 61029-2-9; EN 55014-1;  
 EN 55014-2; EN 61000-3-2; EN 61000-3-11; EN 60825-1

Landau/Isar, den 08.09.2010

Weichselgartner/General Manager

Wentao/Product-Management

First CE: 10  
 Art.-No.: 43.006.82 I.-No.: 11010  
 Subject to change without notice

Archive-File/Record: 4300685-42-4199908-08  
 Documents registrar: Siegfried Roider  
 Wiesenweg 22, D-94405 Landau/Isar

# 13. JAMSTVENI LIST

## Poštovani kupče,

naši proizvodi podliježu strogoj kontroli kvalitete. Žao nam je ako bi ipak došlo do toga da uređaj ne funkcionira besprijekorno i zamolili bismo Vas da se u tom slučaju obratite na adresu naše servisne službe navedenu ispod ovog jamstva. Također smo Vam na raspolaganju na dolje navedenom telefonskom broju servisne službe. Za traženje jamstvenog zahtjeva vrijedi sljedeće:

1. Ovi jamstveni uvjeti reguliraju dodatne jamstvene usluge. Ovo jamstvo ne zadire u Vaše zakonsko pravo zahtjeva za ostvarenje jamstvenih usluga. Realizacija jamstvenih usluga je besplatna.
  2. Jamstvena usluga obuhvaća isključivo nedostatke nastale zbog greške na materijalu ili tijekom proizvodnje i ograničen je na uklanjanje tih nedostataka odnosno zamjenu uređaja. Molimo da obratite pažnju na to da naši uređaji nisu konstruirani za korištenje u komercijalne svrhe niti u obrtu i industriji. Prema tome, ugovor o jamstvu ne može se ostvariti ako se uređaj koristi u obrtničkim ili industrijskim pogonima kao i u sličnim djelatnostima. Nadalje su iz jamstva isključene usluge zamjene proizvoda u slučaju transportnih oštećenja, šteta zbog nepridržavanja uputa za montažu ili zbog nestručne instalacije, nepridržavanja uputa za uporabu (kao npr. zbog priključka na pogrešni mrežni napon ili vrstu struje), zbog zlorabe ili nestručnih primjena (kao npr. preopterećenje uređaja ili korištenje nedopuštenih alata ili pribora), u slučaju nepridržavanja uputa za održavanje i sigurnosnih odredbi, zbog prodiranja stranih tijela u uređaj (npr. pijeska, kamenja ili prašine), nasilne primjene ili vanjskih utjecaja (kao npr. oštećenja zbog pada) kao i zbog uobičajenog trošenja tijekom korištenja. To naročito vrijedi za baterije za koje ipak dajemo jamstvo od 12 mjeseci.
- Zahtjev za jamstvo prestaje biti valjan ako su na uređaju već izvršeni neki zahvati.
3. Jamstveni rok iznosi 3 godine a započinje s datumom kupnje uređaja. Jamstveni zahtjevi ostvaruju se prije isteka jamstvenog roka unutar dvije godine nakon što ste uočili kvar. Ostvarenje jamstvenog zahtjeva nakon isteka jamstvenog roka je isključeno. Popravkom ili zamjenom uređaja ne produljuje se jamstveni rok niti se tom uslugom ostvaruju novi jamstveni rok za uređaj ili ostale ugrađene rezervne dijelove. To također vrijedi i kod korištenja servisa na licu mjesta.
  4. Da biste ostvarili svoj jamstveni zahtjev, molimo Vas da nam pošaljete neispravan uređaj bez plaćanja poštarine na dolje navedenu adresu. Priložite originalni račun za kupnju uređaja ili neki drugi dokaz o kupnji s datumom. Molimo Vas da zbog tog razloga dobro sačuvate račun kao dokaz! Što točnije opišite razlog reklamacije. Ako naša jamstvena usluga obuhvaća kvar nastao na Vašem uređaju, odmah ćemo Vam vratiti popravljeni ili novi uređaj.

Razumljivo je da ćemo za naknadu troškova ukloniti i kvarove koje jamstvena usluga ne obuhvaća. U tom slučaju pošaljite uređaj na adresu našeg servisa.

**Einhell Croatia d.o.o.**

Velika Ves 2

HR-49224 Lepajci

Tel. 049 342 444 · Fax 049 342 392

GR/  
CY**Περιεχόμενα:****Σελίδα**

1. Εισαγωγή .....	42
2. Υποδείξεις ασφαλείας .....	42-47
3. Περιγραφή της συσκευής .....	47
4. Συμπαραδιδόμενα .....	47
5. Ενδειγμένη χρήση .....	48
6. Τεχνικά χαρακτηριστικά .....	49
7. Πριν τη θέση σε λειτουργία .....	50-51
8. Λειτουργία .....	51-54
9. Αντικατάσταση καλωδίου σύνδεσης με το δίκτυο .....	55
10. Καθαρισμός, συντήρηση και παραγγελία ανταλλακτικών .....	55
11. Διάθεση στα απορρίμματα και επαναχρησιμοποίηση .....	55-56
12. Δήλωση συμμόρφωσης .....	57
13. Εγγύηση .....	58

Η ανατύπωση ή οποιασδήποτε άλλης μορφής αναπαραγωγή της τεκμηρίωσης ή άλλων δικαιολογητικών που αναφέρονται στα προϊόντα, ακόμη και αποσπασματικά, επιτρέπεται μόνο με ρητή συγκατάθεση της ISC GmbH.

40

Με επιφύλαξη τεχνικών τροποποιήσεων



## Εξήγηση των συμβόλων επάνω στη συσκευή



„Προειδοποίηση – Για τη μείωση του κινδύνου τραυματισμού διαβάστε την Οδηγία χρήσης“



### **Να φοράτε ωτοπροστασία.**

Η επίδραση θορύβου μπορεί να προκαλέσει την απώλεια της ακοής.



### **Να φοράτε προστασία κατά της σκόνης.**

Κατά την επεξεργασία ξύλου και άλλων υλικών μπορεί να σχηματισθεί σκόνη που βλάπτει την υγεία σας. Δεν επιτρέπεται η επεξεργασία υλικών που περιέχουν αμίαντο!



### **Να φοράτε προστατευτικά γυαλιά.**

Κατά τη διάρκεια της εργασίας δημιουργούνται σπινθήρες ή πετιούνται μικρά τεμάχια από τη συσκευή, ροκανίδια και σκόνες. Συνέπεια μπορεί να είναι η απώλεια της όρασής σας.



### **Προσοχή! Κίνδυνος τραυματισμού!**

Μην βάζετε τα χέρια σας σε περιστρεφόμενο πριονοδίσκο!

## 1. Εισαγωγή

### ⚠ Προσοχή!

Κατά τη χρήση των συσκευών πρέπει, προς αποφυγή τραυματισμών, να τηρούνται και να λαμβάνονται ορισμένα μέτρα ασφαλείας. Διαβάστε για το λόγο αυτό προσεκτικά τις Οδηγίες χρήσης / Υποδείξεις ασφαλείας. Φυλάξτε τις καλά για να έχετε τις πληροφορίες πάντα στη διάθεσή σας. Εάν παραδώσετε τη συσκευή σε άλλα άτομα, δώστε μαζί και αυτές τις Οδηγίες χρήσης / Υποδείξεις ασφαλείας. Δεν αναλαμβάνουμε καμία ευθύνη για ατυχήματα ή βλάβες που οφείλονται σε μη τήρηση αυτών των Οδηγιών χρήσης και των Υποδείξεων ασφαλείας.

## 2. Υποδείξεις ασφαλείας

### ⚠ ΠΡΟΕΙΔΟΠΟΙΗΣΗ

**Διαβάστε όλες τις Υποδείξεις ασφαλείας και τις Οδηγίες.** Σε περίπτωση παραλείψεων κατά την τήρηση των Υποδείξεων ασφαλείας μπορεί να προκληθεί ηλεκτροπληξία, πυρκαγιά και/ή σοβαροί τραυματισμοί. **Φυλάξτε για μελλοντική χρήση όλες τις Υποδείξεις ασφαλείας και τις οδηγίες.**

### 2.1 Γενικές Υποδείξεις ασφαλείας για ηλεκτρικές συσκευές

**Προσοχή!** Κατά την χρήση ηλεκτρικών συσκευών πρέπει για την προστασία σας από ηλεκτροπληξία, τραυματισμό και πυρκαγιά να προσέξετε τις ακόλουθες Υποδείξεις ασφαλείας. Παρακαλούμε να διαβάσετε και να προσέξετε τις υποδείξεις πριν χρησιμοποιήσετε τη συσκευή.

- **Να κρατάτε τη θέση εργασίας πάντα τακτική.**  
- Μία όχι τακτική θέση εργασίας προακελί κινδύνους ατυχημάτων.
- **Να λάβετε υπόψη τις επιδράσεις του περιβάλλοντος**  
- Μην εκθέτετε ηλεκτρικές συσκευές σε βροχή. Ποτέ μη χρησιμοποιείτε τα

ηλεκτρικά εργαλεία σε υγρό περιβάλλον. Φροντίστε για καλό φωτισμό. Μη χρησιμοποιείτε τα ηλεκτρικά εργαλεία κοντά σε εύφλεκτα υγρά ή αέρια.

- **Προστατέψτε τον εαυτό σας από ηλεκτροπληξία**  
- Να αποφεύγετε κάθε επαφή του σώματος με γειωμένα εξαρτήματα, για παράδειγμα με σωλήνες, καλοριφέρ, εστίες, ψυγεία.
- **Να κρατάτε μακριά τα παιδιά!**  
- Μην αφήνετε άλλα άτομα να έρχονται σε επαφή με το εργαλείο ή το καλώδιο, κρατάτε τα μακριά από την περιοχή εργασίας.
- **Να φυλάγετε τα εργαλεία σας σε ασφαλές μέρος**  
- Όταν δεν χρησιμοποιείτε τα εργαλεία, να τα φυλάγετε σε στεγνό χώρο που κλειδώνεται, μακριά από παιδιά.
- **Μην υπερφορτώνετε τα εργαλεία σας**  
- Εργάζεστε καλύτερα και ασφαλέστερα στο αναφερόμενο πεδίο ισχύος.
- **Να χρησιμοποιείτε το σωστό εργαλείο**  
- Μη χρησιμοποιείτε αδύναμες μηχανές ή συσκευές για βαριές εργασίες. Μη χρησιμοποιείτε τα εργαλεία για σκοπούς και εργασίες για τους οποίους δεν προορίζονται, π.χ. μη χρησιμοποιείτε ένα δισκοπρίονο χεριού για να κόψετε δέντρα ή χοντρά κλαδιά.
- **Να φοράτε πάντα τον κατάλληλο ρουχισμό εργασίας.**  
- Μη φοράτε φαρδιά ρούχα ή κοσμήματα. Θα μπορούσαν να πιαστούν από κινούμενα τμήματα. Σε εργασίες στο ύπαιθρο συνιστώνται λαστιχένια γάντια και αντιολισθητικά παπούτσια. Εάν έχετε μακριά μαλλιά να φοράτε ένα δίχτυ.
- **Να χρησιμοποιείτε προστατευτικά γυαλιά.**  
- Σε περίπτωση εργασιών με σκόνη, να χρησιμοποιείτε μάσκα για προστασία της αναπνοής.
- **Μην χρησιμοποιείτε το καλώδιο για άλλο σκοπό**  
- Μη μεταφέρετε το καλώδιο κρατώντας από αυτό τη συσκευή, και μη το χρησιμοποιείτε για να τραβήξετε το βύσμα από την πρίζα. Να προστατεύετε το

καλώδιο από ψηλές θερμοκρασίες, λάδι και αιχμηρά αντικείμενα.

- **Να ασφαρίζετε το εργαλείο**  
- Να χρησιμοποιείτε συστήματα συγκράτησης ή μία μέγγενη για τη συγκράτηση του κατεργαστέου αντικειμένου. Έτσι συγκρατιέται ασφαλέστερα παρά με το χέρι σας και σας επιτρέπεται ο χειρισμός της μηχανής με δύο χέρια.
- **Προσέχετε την ευστάθειά σας**  
- Να αποφεύγετε τη μη φυσιολογική στάση του σώματος. Φροντίστε να στέκεστε σταθερά και να κρατάτε πάντα την ισορροπία σας.
- **Να περιποιήστε τα εργαλεία σας**  
- Να διατηρείτε τα εργαλεία σας ακονισμένα και καθαρά για να μπορείτε να εργάζεστε καλύτερα και ασφαλέστερα. Να ακολουθείτε τις προδιαγραφές συντήρησης και τις υποδείξεις για αλλαγή του εργαλείου. Να ελέγχετε τακτικά το βύσμα και το καλώδιο και σε περίπτωση ελαττωμάτων να αντικαθίστανται από αναγνωρισμένο και ειδικευμένο τεχνίτη. Να ελέγχετε τακτικά το καλώδιο επέκτασης (μπαλαντέζα) που να αντικαθίσταται εάν είναι ελαττωματικό. Να διατηρείτε τις χειρολαβές στεγνές και ελεύθερες από λάδια και λίπη.
- **Βγάλτε το βύσμα από την πρίζα**  
- Όταν δεν χρησιμοποιείτε τη συσκευή, σε εργασίες συντήρησης και κατά την αλλαγή εργαλείων, όπως για παράδειγμα πριονοδίσκος, τρυπάνι ή εργαλεία παντός είδους.
- **Μην αφήνετε επάνω στη συσκευή κλειδιά εργαλείων**  
- Πριν την ενεργοποίηση να ελέγχετε, εάν έχουν απομακρυνθεί τα κλειδιά και εργαλεία ρύθμισης.
- **Να αποφεύγετε αθέλητη ενεργοποίηση**  
- Μην μεταφέρετε συσκευές που είναι συνδεδεμένες με το ρεύμα κρατώντας τις με το χέρι στο διακόπτη. Σιγουρευτείτε πως ο διακόπτης είναι απενεργοποιημένος κατά τη σύνδεση με το ρεύμα δικτύου.
- **Μπαλαντέζα στο ύπαιθρο**  
- Στο ύπαιθρο να χρησιμοποιείτε μόνο τα

για το σκοπό αυτό εγκεκριμένα καλώδια επέκτασης (μπαλαντέζες) με την ανάλογη σήμανση.

- **Να είστε πάντα προσεκτικοί**  
- Να παρακολουθείτε την εργασία σας. Να εργάζεστε συνετά. Μη χρησιμοποιείτε τα εργαλεία όταν δεν είστε συγκεντρωμένοι.
- **Να ελέγχετε τη συσκευή σας για ενδεχόμενες βλάβες**  
- Πριν από περαιτέρω χρήση του εργαλείου να ελέγχονται προσεκτικά τα συστήματα ασφαλείας ή ελαφρά ελαττωματικά τμήματα για την άψογη λειτουργία τους σύμφωνα με το σκοπό για τον οποίο προορίζονται. Ελέγξτε εάν λειτουργούν άψογα και δεν μπλοκάρουν όλα τα κινούμενα τμήματα ή εάν ορισμένα τμήματα έχουν ζημιές. Όλα τα τμήματα πρέπει να είναι σωστά τοποθετημένα ώστε να εξασφαλίζεται η ασφάλεια της συσκευής. Τα ελαττωματικά συστήματα ασφαλείας και τα ελαττωματικά εξαρτήματα πρέπει να επισκευάζονται ή να αντικαθίστανται σωστά από αναγνωρισμένο εξειδικευμένο συνεργείο εάν δεν αναφέρεται κάτι διαφορετικό στις Οδηγίες χρήσης. Οι ελαττωματικοί διακόπτες να αντικαθίστανται σε συμβεβλημένο συνεργείο. Μη χρησιμοποιείτε εργαλεία, στα οποία ο διακόπτης δεν ενεργοποιείται και δεν απενεργοποιείται.
- **Προσοχή!**  
- Για τη δική σας ασφάλεια να χρησιμοποιείτε μόνο εξαρτήματα και πρόσθετες συσκευές που αναφέρονται στις Οδηγίες χρήσης ή που συνιστώνται ή αναφέρονται από τον κατασκευαστή. Η χρήση άλλων εργαλείων ή εξαρτημάτων από αυτών που αναφέρονται στις Οδηγίες χρήσης ή στον κατάλογο μπορούν να αποτελέσουν κίνδυνο για τη σωματική σας ακεραιότητα.
- **Επισκευές μόνο από ηλεκτρολόγο**  
Αυτό το εργαλείο ανταποκρίνεται στις σχετικές διατάξεις ασφαλείας. Οι επισκευές επιτρέπεται να εκτελούνται μόνο από ειδικευμένους ηλεκτρολόγους, διαφορετικά δεν αποκλείονται τραυματισμοί του χειριστή.

GR/  
CY

- **Συνδέστε το σύστημα αναρρόφησης σκόνης**
  - Εάν υπάρχουν συστήματα για τη σύνδεση συσκευών αναρρόφησης της σκόνης, σιγουρευτείτε πως είναι συνδεδεμένα και χρησιμοποιούνται.

## 2.2 Ειδικές υποδείξεις ασφαλείας για τη συσκευή:

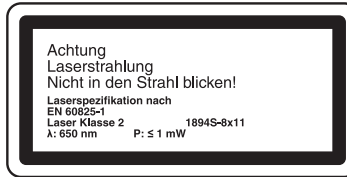
### 1. Μέτρα ασφαλείας

- Να αντικαθίσταται το ενδεχομένως φθαρμένο στήριγμα της συσκευής στον πάγκο εργασίας.
- Να χρησιμοποιείτε μόνο τις προιονολάμες που συνιστά ο κατασκευαστής και που ανταποκρίνονται στο πρότυπο EN 847-1.
- Εάν απαιτείται να χρησιμοποιείτε τα κατάλληλα μέτρα ατομικής προστασίας. Αυτά αποτελούνται κατά περίπτωση από:
  - Ωτοασπίδες για μείωση του κινδύνου απώλειας της ακοής
  - Αναπνευστική προστασία για μείωση του κινδύνου εισπνοής επικίνδυνης σκόνης
  - Όταν πιάνετε με προιονολάμες και με όχι λεία υλικά να φοράτε γάντια. Εάν γίνεται να μεταφέρεται τις προιονολάμες σε περιέκτη.
- Οι ακόλουθοι παράγοντες μπορεί να επιδράσουν στην δημιουργία σκόνης:
  - Φθαρμένες, ελαττωματικές λάμες ή λάμες με ρωγμές
  - Συνιστώμενη ισχύς αναρρόφησης των συστημάτων αναρρόφησης 20 m/s
  - Το κατεργαζόμενο αντικείμενο να οδηγείται σωστά
- Δεν επιτρέπεται η χρήση λαμών από ατσάλι HSS.

## 2. Υποδείξεις ασφαλείας για το σύστημα λέιζερ



**Προσοχή :**  
**Ακτινοβολία λέιζερ**  
**Μη κοιτάζετε στην ακτίνα**  
**Κατηγορία λέιζερ 2**



Προστατέψτε τον εαυτό σας και το περιβάλλον με κατάλληλα μέτρα προστασίας από κινδύνους ατυχημάτων.

- Μη κοιτάζετε χωρίς προστασία ματιών απευθείας στην ακτίνα λέιζερ.
- Μη κοιτάζετε άμεσα στην διαδρομή της ακτίνας.
- Μη τείνετε την ακτίνα λέιζερ ποτέ σε αντανakλούσες επιφάνειες, σε πρόσωπα ή ζώα. Ακόμη και ακτίνα λέιζερ χαμηλής ισχύος μπορεί να προκαλέσει βλάβες στα μάτια.
- Προσοχή - εάν εκτελούνται άλλες από τις μεθόδους που αναφέρονται εδώ, δεν αποκλείεται επικίνδυνη έκθεση σε ακτινοβολία.
- Ποτέ μην ανοίγετε το μοντούλ του λέιζερ.
- Εάν το λέιζερ δεν χρησιμοποιηθεί για μεγαλύτερο χρονικό διάστημα, αφαιρέστε τις μπαταρίες.
- Ποτέ μη χρησιμοποιείτε οπτικό εργαλείο (π. χ. φακό) για να δείτε την ακτίνα λέιζερ.
- Να ελέγχετε τακτικά το λέιζερ και να το ελέγχετε πριν τη χρήση για εξωτερικά ελαττώματα. Προς αποφυγή κινδύνων, μη χρησιμοποιείτε τη συσκευή σε περίπτωση ελαττωμάτων.
- Μία ελαττωματική συσκευή λέιζερ να επισκευάζεται μόνο από συνεργείο εξυπηρέτησης πελατών.

**3. Υποδείξεις ασφαλείας για τις μπαταρίες**

- Ποτέ μην επαναφορτίζεται τις μπαταρίες. Υφίσταται κίνδυνος έκρηξης
- Να κρατάτε τις μπαταρίες μακριά από τα παιδιά, μη τις ρίχνετε στη φωτιά, μη τις βραχυκυκλώνετε και μη τις αποσυναρμολογείτε.
- Πριν την τοποθέτηση των μπαταριών να καθαριστούν οι επαφές των μπαταριών εφόσον χρειάζεται.
- Να αφαιρείτε αμέσως τις αδύναμες μπαταρίες από τη συσκευή. Κίνδυνος εκροής.
- Να αντικαθίστανται πάντα όλες οι μπαταρίες συγχρόνως. Να χρησιμοποιείτε πάντα μόνο καινούργιες μπαταρίες του ίδιου τύπου.
- Να αποφεύγετε την επαφή με το δέρμα, τα μάτια και τους βλεννογόνους. Σε περίπτωση επαφής με το οξύ των μπαταριών να πλύνετε αμέσως τα σημεία με άφθονο καθαρό νερό και να συμβουλευθείτε αμέσως ένα γιατρό.
- Μην εκθέτετε τις μπαταρίες σε ακραίες συνθήκες, π.χ. πάνω σε καλοριφέρ, σε ηλιακή ακτινοβολία! Ιδιαίτερος κίνδυνος εκροής!

**4. Συντήρηση και σέρβις**

- Οι ακόλουθες συνθήκες μπορεί να επηρεάσουν την επίδραση του θορύβου στον χειριστή.
  - Είδος πριονοδίσκου (π.χ. πριονοδίσκοι για την ελάττωση της επίδρασης θορύβου)
  - Υλικό του κατεργαζόμενου αντικειμένου
  - Δύναμη με την οποία πιέζεται το αντικείμενο πάνω στον πριονοδίσκο.
- Ελαττώματα της μηχανής, συμπεριλαμβανομένων και των συστημάτων ασφαλείας και του πριονοδίσκου, πρέπει, μόλις εντοπισθούν, να δηλωθούν στο για θέματα ασφαλείας υπεύθυνο άτομο.

**5. Ασφαλής λειτουργία**

- Να χρησιμοποιείτε τον κατάλληλο πριονοδίσκο για το επεξεργαζόμενο υλικό.
- Ποτέ μη χρησιμοποιείτε το φάλτσοπρίονο για άλλα υλικά από αυτά που αναφέρει ο κατασκευαστής.
- Κατά τη μεταφορά της μηχανής να χρησιμοποιείτε μόνο τα συστήματα μεταφοράς και ποτέ τα συστήματα ασφαλείας για χειρισμό η μεταφορά.
- Να χρησιμοποιείτε το πριόνι μόνο όταν οι διατάξεις ασφαλείας βρίσκονται στην προβλεπόμενη θέση, είναι σε άψογη κατάσταση και συντηρούνται πάντα καλά.
- Να προσέχετε να είναι καλά στερεωμένο το σύστημα για την περιστροφή του βραχίονα κατά την κοπή λοξής γωνίας.
- Το δάπεδο κάτω από τη μηχανή πρέπει να είναι επίπεδο, καθαρό και ελεύθερο από μικροσωματίδια, όπως π.χ. ροκανίδια και υπολείμματα κοπής.
- Ο χειριστής πρέπει να έχει εκπαιδευθεί επαρκώς σε θέματα χρήσης, ρύθμισης και χειρισμού της μηχανής.
- Να χρησιμοποιείτε μόνο σωστά τροχισμένους πριονοδίσκους. Να τηρείται ο μέγιστος αριθμός περιστροφών που αναγράφεται στον πριονοδίσκο.
- Να προσέχετε να χρησιμοποιείτε μόνο αποστάτες και δακτύλιους που είναι κατάλληλοι για τον σκοπό που προβλέπει ο κατασκευαστής.
- Εάν η μηχανή είναι εξοπλισμένη με λέιζερ, δεν επιτρέπεται το λέιζερ αυτό να αντικατασταθεί από λέιζερ άλλου τύπου. Οι επισκευές επιτρέπεται να εκτελούνται μόνο από τον κατασκευαστή του λέιζερ ή από αναγνωρισμένο εκπρόσωπό του.
- Μην απομακρύνετε υπολείμματα της κοπής ή άλλα τμήματα του αντικείμενου από το σημείο κοπής εφόσον λειτουργεί ακόμη η μηχανή και ο μηχανισμός δεν έχει ακινητοποιηθεί.
- Προσέξτε εάν είναι δυνατόν να είναι στερεωμένη η μηχανή πάντα σε πάγκο εργασίας ή σε τραπέζι.
- Να ασφαρίζετε μακριά αντικείμενα για να μη πέσουν στο τέλος της διαδικασίας κοπής (π.χ. με μία βάση)

GR/  
CY

## 6. Πρόσθετες υποδείξεις ασφαλείας για τα πριόνια κάθετης κοπής

- Να παραδίδετε τις Υποδείξεις εργασίας σε όλα τα άτομα που εργάζονται με τη μηχανή.
- Μη χρησιμοποιείτε το πριόνι για να κόβετε καυσόξυλα.
- **Προσοχή!** Η περιστρεφόμενη λάμα αποτελεί κίνδυνο τραυματισμού για χέρια και δάκτυλα.
- Να συγκρίνετε εάν συμφωνεί η τάση που αναφέρεται στην ετικέτα στοιχείων της συσκευής με την τάση δικτύου σας.
- Σε περίπτωση που χρειαστεί μπαλαντέζα, παρακαλούμε να βεβαιωθείτε πως η διατομή του καλωδίου αρκεί για την απορρόφηση ρεύματος του πριονιού αυτής. Ελάχιστη διατομή 1,5 mm<sup>2</sup>
- Να χρησιμοποιείτε τον κύλινδρο του καλωδίου μόνο σε ξετυλιγμένη κατάσταση.
- Ο χειριστής πρέπει να είναι τουλάχιστον 18 ετών, τα καταριζόμενα άτομα τουλάχιστον 16 ετών, αλλά μόνο υπό επιτήρηση.
- Να μην αποσπάται η προσοχή των ατόμων που εργάζονται στη μηχανή.
- Να προσέχετε την κατεύθυνση περιστροφής του κινητήρα και του πριονοδίσκου.
- Δεν επιτρέπεται με κανένα τρόπο να φρενάρετε τον πριονοδίσκο με πλευρική πίεση μετά την απενεργοποίηση της μετάδοσης κίνησης.
- Να χρησιμοποιείτε μόνο καλά τροχισμένους δίσκους, χωρίς ρωγμές και παραμορφώσεις.
- Οι ελαττωματικές λάμες πρέπει να απομακρυνθούν αμέσως.
- Μη χρησιμοποιείτε λάμες/δίσκους που δεν ανταποκρίνονται στα χαρακτηριστικά που αναφέρονται στις Οδηγίες χρήσης.
- Σιγουρευθείτε πως το βέλος πάνω στον πριονοδίσκο συμφωνεί με το βέλος πάνω στη συσκευή.
- Στρίψτε, με τραβηγμένο το φινι από την πρίζα, τον πριονοδίσκο με το χέρι στη θέση 45° και 90°, για να σιγουρευθείτε πως ο πριονοδίσκος δεν αγγίζει τον περιστρεφόμενο πάγκο σε καμία θέση. Ενδεχομένως ρυθμίσετε εκ νέου την κεφαλή του πριονιού.
- Πρέπει να σιγουρευτείτε πως όλα τα συστήματα που καλύπτουν τη λάμα, λειτουργούν άψογα.
- Το κινούμενο προστατευτικό κάλυμμα του πριονοδίσκου δεν επιτρέπεται να μπλοκάρει όταν είναι ανοικτό.
- Δεν επιτρέπεται η αποσυναρμολόγηση ή η αχρηστοποίηση των συστημάτων ασφαλείας της μηχανής.
- Να αντικαθίστανται αμέσως τα ελαττωματικά συστήματα ασφαλείας.
- Μη κόβετε αντικείμενα που είναι πολύ μικρά και δεν μπορούν να κρατηθούν με το χέρι.
- Να αποφεύγετε αδέξιες στάσεις των χεριών, κατά τις οποίες θα μπορούσε κανείς να έρθει σε επαφή με τον δίσκο του πριονιού με το ένα ή με τα δύο χέρια σε περίπτωση που γλιστρήσει απότομα.
- Δεν επιτρέπεται να κόβετε στρογγυλά κομμάτια ξύλου.
- Δεν επιτρέπεται να υπάρχουν καρφιά ή άλλα ξένα αντικείμενα στο τμήμα του ξύλου που κόβετε.
- Να στέκεστε πάντα στο πλάι της λάμας.
- Μην υπερφορτώνετε τη μηχανή τόσο ώστε να ακινητοποιείται.
- Να πιέζετε το αντικείμενο που κατεργάζεστε πάντα δυνατά πάνω στον πάγκο εργασίας και στον οδηγό ώστε να αποφύγετε ενδεχόμενη αστάθεια ή γύρισμα του αντικείμενου που κατεργάζεστε.
- Σιγουρευτείτε πως μπορείτε να αφαιρέσετε τα κομμάτια από το πλάι του πριονοδίσκου. Διαφορετικά μπορεί να πιαστούν από τον δίσκο και να εκσφενδονιστούν.
- Ποτέ μην κόβετε συγχρόνως περισσότερα αντικείμενα.
- Ποτέ μην απομακρύνετε θρίμματα, ροκανίδια ή μπλοκαρισμένα τμήματα ξύλου κατά τη λειτουργία της λάμας.
- Για την αποκατάσταση βλάβη ή για την απομάκρυνση σφηνωμένων τμημάτων ξύλου, να απενεργοποιείτε τη μηχανή. - Βγάλτε το βύσμα από την πρίζα -
- Μετά από τον τερματισμό εργασιών επισκευής ή συντήρησης πρέπει να

- επαναποθετούνται αμέσως τα συστήματα προστασίας και ασφαλείας.
- Πρέπει να τηρούνται οι υποδείξεις ασφαλείας, εργασίας και συντήρησης του κατασκευαστή, καθώς και οι διαστάσεις που αναφέρονται στα τεχνικά χαρακτηριστικά.
  - Να τηρείτε πάντα τις σχετικές διατάξεις πρόληψης ατυχημάτων και τους άλλους γενικά αναγνωρισμένους κανόνες ασφαλείας.
  - Η λειτουργία σε κλειστούς χώρους επιτρέπεται μόνο με κατάλληλη εγκατάσταση αναρρόφησης.
  - Το πριόνι πρέπει να συνδεθεί σε πρίζα σούκο 230 V με ελάχιστη ασφάλεια 10 A.
  - Μη χρησιμοποιείτε αδύναμες μηχανές για βαριές εργασίες.
  - Πρέπει να προσέχετε ιδιαίτερα όταν εργάζεστε κάθετα.
  - Ιδιαίτερη προσοχή σε διπλές λοξές τομές!

**Να φυλάξετε καλά αυτές τις Οδηγίες χρήσης.**

### 3. Περιγραφή της συσκευής

1. Χειρολαβή
2. Διακόπτης ενεργοποίησης/απενεργοποίησης
3. Μοχλός απομανδάλωσης
4. Ακινητοποίηση άξονα πριονιού
5. Κεφαλή μηχανής
6. Κινητή προστασία πριονοδίσκου
7. Δίσκος
8. Σύστημα σύσφιξης
9. Θέση για κατεργαζόμενο αντικείμενο
10. Βίδα ακινητοποίησης για επιφάνεια τοποθέτησης κατεργαζόμενου αντικειμένου
11. Ένθετο πάγκου εργασίας
12. Μοχλός κουμπώματος θέσεων
13. Λαβή ακινητοποίησης
14. Δείκτης
15. Κλίμακα
16. Περιστρεφόμενος πάγκος
17. Μόνιμος πάγκος πριονιού
18. Πρόσθετος βραχίονας

19. Ράβδος-οδηγός
20. Κλίμακα
21. Δείκτης
22. Σάκος συλλογής ροκανιδιών
23. Βίδα ασφάλισης
24. Βίδα ακινητοποίησης έλξης
25. Μπουλόνι ασφάλειας
26. Έλξη
27. Βίδα-πεταλούδα για όριο βάθους κοπής
28. Τέρμα για όριο βάθους κοπής
29. Μετατοπιζόμενος οδηγός
30. Μοχλός ακινητοποίησης για μετατοπιζόμενο οδηγό.
31. Βίδα ρύθμισης (90°)
32. Βίδα ρύθμισης (45°)
33. Βίδα φλάντζας
34. Εξωτερική φλάντζα
35. Λείζερ
36. Διακόπτης ενεργοποίησης / απενεργοποίησης λαίτζερ
37. Θήκη μπαταριών
38. Καπάκι θήκης μπαταριών
39. Βίδα
40. Εσωτερική φλάντζα

- c) Κλειδί σύσφιξης
- d) Παξιμάδι ασφάλισης
- y) 45° γωνία-οδηγός (δεν συμπαράδεται)
- z) 90° γωνία-οδηγός (δεν συμπαράδεται)

### 4. Συμπαραδιδόμενα

- Φαλτσοπριονο και πριονι καθετης κοπης
- 2 x σύστημα έντασης (8)
- 2 x επιφάνεια εναπόθεσης κατεργαζόμενου αντικείμενου (9)
- Σάκος συλλογής ροκανιδιών (22)
- Κλειδί Άλλεν
- Κλειδί σύσφιξης (c)
- Πρόσθετος βραχίονας (18)
- 2 μπαταρίες (1,5V LR6)

## 5. Ενδεδειγμένη χρήση

Το φαλτσοπρίονο εξυπηρετεί στο κόψιμο ξύλων και πλαστικού, ανάλογα με το μέγεθος της μηχανής. Το πριόνι δεν είναι κατάλληλο για κόψιμο ξύλων τζακιού.

Η μηχανή να χρησιμοποιείται μόνο για το σκοπό για τον οποίο προορίζεται. Κάθε πέραν τούτου χρήση δεν είναι ενδεδειγμένη. Για ζημιές ή τραυματισμούς παντός είδους που οφείλονται σε μη ενδεδειγμένη χρήση ευθύνεται ο χρήστης / χειριστής και όχι ο κατασκευαστής.

Παρακαλούμε να προσέξετε, πως οι συσκευές μας δεν έχουν κατασκευαστεί για επαγγελματική, βιοτεχνική και βιομηχανική χρήση. Δεν αναλαμβάνουμε καμία εγγύηση, εάν η συσκευή χρησιμοποιηθεί σε βιοτεχνίες ή βιομηχανίες ή σε παρόμοιες εργασίες.

Επιτρέπεται μόνο η χρήση πριονοδίσκων κατάλληλων για τη μηχανή. Απαγορεύεται η χρήση διαχωριστικών δίσκων παντός είδους. Αναπόσπαστο μέρος της ενδεδειγμένης χρήσης είναι και η τήρηση των υποδείξεων ασφαλείας, καθώς και η οδηγία συναρμολόγησης και οι υποδείξεις χειρισμού στην οδηγία χρήσης.

Τα άτομα που χειρίζονται τη μηχανή, πρέπει να είναι εξοικειωμένα με το χειρισμό της και να ενημερωθούν για ενδεχόμενους κινδύνους. Πέραν τούτου να τηρούνται αυστηρά οι διατάξεις πρόληψης ατυχημάτων. Να ακολουθούνται επίσης και οι άλλοι γενικοί κανόνες ιατρικής εργασίας και τεχνικής ασφάλειας.

Τροποποιήσεις στη μηχανή αποκλείουν την ευθύνη του κατασκευαστή από τις ζημιές που προκύπτουν από τη χρήση αυτή. Παρ'όλη την ενδεδειγμένη χρήση δεν μπορούν να αποκλειστούν τελείως ορισμένοι κίνδυνοι.

Εξαιτίας της κατασκευής και της δομής της μηχανής δεν αποκλείονται τα εξής:

- Επαφή με τον πριονοδίσκο στο ακάλυπτο τμήμα της.
- Επέμβαση στον κινούμενο πριονοδίσκο (τραυματισμός από αιχμηρό αντικείμενο)

- Εκσφενδονισμός κατεργαζόμενων αντικειμένων ή τμημάτων τους.
- Θραύση πριονοδίσκου.
- Εκσφενδονισμός ελαττωματικών τμημάτων σκληρού μετάλλου του πριονοδίσκου.
- Βλάβη της ακοής όταν δεν χρησιμοποιούνται οι απαιτούμενες ωτοασπίδες.
- Επιβλαβείς για την υγεία εκπομπές σκόνης ξύλου κατά τη χρήση σε κλειστούς χώρους.
- Το προϊόν ανταποκρίνεται στις απαιτήσεις του προτύπου EN 61000-3-11 και υπόκειται σε ειδικούς όρους σύνδεσης. Αυτό σημαίνει πως δεν επιτρέπεται η χρήση με σύνδεση σε οποιαδήποτε , ελεύθερα επιλεγόμενα σημεία.
- Υπό δυσμενείς συνθήκες η συσκευή μπορεί να προκαλέσει διακυμάνσεις της τάσης.
- Το προϊόν προορίζεται αποκλειστικά και μόνο για σημεία σύνδεσης με ελάχιστη ικανότητα φορτίου διαρκείας του δικτύου 100 A ανά φάση.
- Σαν χρήστης πρέπει να εξασφαλίσετε, εν ανάγκη μετά από συνεννόηση με την αρμόδια επιχείρηση παροχής ηλεκτρικής ενέργειας, πως το σημείο σύνδεσης, όπου θέλετε να χρησιμοποιήσετε τη συσκευή σας, πληροί αυτές τις απαιτήσεις.



## 6. Τεχνικά χαρακτηριστικά

Κινητήρας εναλλασσόμενου ρεύματος:

230V V ~ 50Hz

Ισχύς: 1700 Watt

Είδος λειτουργίας: S1

Λειτουργία ρελαντί n<sub>0</sub>: 4800 min<sup>-1</sup>

Πριονοδίσκος με σκληρό μέταλλο:  
ø 210 x ø 30 x 2,8 mm

Αριθμός δοντιών: 24

Πεδίο περιστροφής: -45° / 0° / +45°

Κοπή με φάλτσοπρίονο:  
0° έως 45° προς αριστερά

Πλάτος πριονιού σε 90°: 205 x 65 mm

Πλάτος πριονιού σε 45°: 140 x 65 mm

Πλάτος πριονιού σε 2 x 45°

(Διπλή φάλτσοτομή) 140 x 40 mm

Κλάση προστασίας: II / 

Βάρος: περ. 15 kg

Κατηγορία λέιζερ 2

Μήκος κυμάτων λέιζερ: 650 nm

Ισχύς λέιζερ: ≤ 1mW

Τροφοδοσία ρεύματος της μονάδας λέιζερ 2 x  
1,5 V Micro (AAA)

### Τιμές εκπομπής θορύβων

Οι εκπομπές θορύβου αυτού του πριονιού διαπιστώθηκαν βάσει του προτύπου EN 61029.

Λειτουργία ρελαντί

Στάθμη ηχητικής πίεσης L<sub>pA</sub> 86 dB

Αβεβαιότητα K<sub>pA</sub> 3 dB

Στάθμη ακουστικής ισχύος L<sub>WA</sub> 99 dB

Αβεβαιότητα K<sub>WA</sub> 3 dB

Εκπομπή δονήσεων a<sub>h</sub> < 2,5 m/s<sup>2</sup>

Αβεβαιότητα K = 1,5 m/s<sup>2</sup>

### Προσοχή!

Η αναφερόμενη τιμή μετάδοσης δόνησης μετρήθηκε βάσει τυποποιημένης μεθόδου ελέγχου και μπορεί να μεταβληθεί ή και σε εξαιρετικές περιπτώσεις να κυμαίνεται άνω της αναφερόμενης τιμής, ανάλογα από τον τρόπο χρήσης του ηλεκτρικού εργαλείου.

Η αναφερόμενη μετάδοση δονήσεων μπορεί να χρησιμοποιηθεί και για σύγκριση με άλλο ηλεκτρικό εργαλείο.

Η αναφερόμενη τιμή μετάδοσης δόνησης μπορεί επίσης να χρησιμοποιηθεί και για αρχική εκτίμηση της έκθεσης.

### Περιορίστε τη δημιουργία θορύβου και δόνησης στο ελάχιστο!

- Να χρησιμοποιείτε μόνο συσκευές σε άψογη κατάσταση.
- Να συντηρείτε και να καθαρίζετε τακτικά τη συσκευή.
- Προσαρμόστε τον τρόπο εργασίας σας στη συσκευή.
- Προσέξτε να μην υπερφορτώνετε τη συσκευή.
- Ενδεχομένως δώστε τη συσκευή για έλεγχο.
- Απενεργοποιήστε τη συσκευή όταν δεν χρησιμοποιείται.

Συνολική τιμή δονήσεων (άθροισμα διανύσματος τριών κατευθύνσεων) διαπιστωθείσα σύμφωνα με EN 61029.

## 7. Πριν τη θέση σε λειτουργία

### 7.1 Γενικά

- Η μηχανή να τοποθετηθεί σε σταθερό μέρος, δηλ. σε πάγκο εργασίας, σε βάση γενικής χρήσης ή κάτι παρόμοιο και να βιδωθεί.
- Πριν τη θέση σε λειτουργία πρέπει να έχουν τοποθετηθεί σωστά όλα τα καλύμματα και οι διατάξεις ασφαλείας.
- Ο πριονοδίσκος πρέπει να μπορεί να κινείται ελεύθερα.
- Να προσέχετε στα ήδη κατεργασμένα ξύλα να μην υπάρχουν ξένα αντικείμενα, π.χ. καρφιά ή βίδες κλπ. .
- Πριν το χειρισμό του διακόπτη ενεργοποίησης/απενεργοποίησης πρέπει να έχει τοποθετηθεί σωστά ο δίσκος. Τα κινούμενα τμήματα πρέπει να κινούνται εύκολα.
- Πριν την σύνδεση να ελέγξετε εάν συμφωνούν τα στοιχεία στην πινακίδα του προϊόντος με τα στοιχεία του δικτύου.

### 7.2 Συναρμολόγηση του πριονιού (εικ. 1-2, 4-6)

- Για την μετατόπιση του περιστρεφόμενου πάγκου (16) χαλαρώστε τη λαβή σταθεροποίησης (13) κατά περ. 2 περιστροφές και πιέστε τον μοχλό ακινητοποίησης (12) για να απασφαλίσετε τον περιστρεφόμενο πάγκο εργασίας (16) (εικ. 4).
- Για την απασφάλιση του πριονιού απ' στην κάτω θέση, πιέστε την κεφαλή της μηχανής (5) ελαφρά προς τα επάνω. Συγχρόνως τραβήξτε το μπουλόνι ασφαλείας (25) από το στήριγμα του κινητήρα. Στρίψτε το μπουλόνι ασφαλείας (25) κατά 90 μοίρες, για να παραμείνει η μηχανή απασφαλισμένη (εικ. 1-2).
- Περιστρέψτε την κεφαλή της μηχανής (5) προς τα επάνω, μέχρι να κουμπώσει ο γάντζος απασφάλισης (3) (εικ. 1).
- Τοποθετήστε τα συστήματα έντασης (8) αριστερά και/ή δεξιά στον σταθερό πάγκο εργασίας (17) (εικ. 1).
- Λασκάρτε τις βίδες στερέωσης για την επιφάνεια τοποθέτησης του αντικείμενου

(10) (εικ. 5).

- Στερεώστε την επιφάνεια εναπόθεσης του κατεργαζόμενου αντικείμενου (9) στον πάγκο του πριονιού (17) και σφίξτε την ανάλογη βίδα (10) (εικ. 5).
- Τοποθετήστε τη δεύτερη επιφάνεια εναπόθεσης του κατεργαζόμενου αντικείμενου (9) στην απέναντι πλευρά του πριονιού και ασφαλίστε τον με την ανάλογη βίδα στερέωσης (10).
- Μπορεί να δοθεί κλίση στην κεφαλή της μηχανής (5) με χαλάρωμα της βίδας σύσφιξης (23) προς τα αριστερά σε μέγιστο 45° (εικ. 1-2).
- Βιδώστε τον πρόσθετο βραχίονα στήριξης (18) στην όπισθεν της μηχανής! (εικ. 6)

### 7.3 Ρύθμισης ακριβείας του τέρματος για κοπή 90° (εικόνα 7-8)

- **Ο οδηγός-τέρμα δεν συμπεριλαμβάνεται.**
- Σταθεροποιήστε τον περιστρεφόμενο πάγκο (16) στη θέση 0°.
- Χαλαρώστε τη βίδα σύσφιξης (23) και δώστε κλίση στην κεφαλή της μηχανής (5) με τη χειρολαβή (1) προς τα αριστερά.
- Ρυθμίστε τον οδηγό γωνίας 90° (z) μεταξύ του δίσκου του πριονιού (7) και περιστρεφόμενου πάγκου (16).
- Λασκάρτε το παξιμάδι ασφαλείας (d). Ρυμίστε τη βίδα ρύθμισης (90°) (31) έτσι ώστε η γωνία μεταξύ του δίσκου (7) και του περιστρεφόμενου πάγκου (16) να είναι ακριβώς 90°.
- Για να σταθεροποιήσετε τη ρύθμιση αυτή ξανασφίξτε το παξιμάδι ασφαλείας (d) στην αντίθετη πλευρά.
- Ελέγξτε τη θέση του δείκτη (21) στην κλίμακα (20). Εάν χρειαστεί, λασκάρτε τον δείκτη (21) με σταυροκατσάβιδο, βάλτε τον στη θέση 0° της κλίμακας (20) και ξανασφίξτε.

## 7.4 Ρύθμιση ακριβείας του τέρματος για τομές γωνιάσματος 45° (εικόνα 1, 7, 10 – 11)

- Ο οδηγός-τέρμα δεν συμπεριλαμβάνεται.
- Σταθεροποιήστε τον περιστρεφόμενο πάγκο (16) στη θέση 0°.
- Χαλαρώστε τη βίδα σύσφιξης (23) και δώστε κλίση στην κεφαλή της μηχανής (5) με τη χειρολαβή (1) προς τα αριστερά σε 45°.
- Ρυθμίστε τον οδηγό γωνίας 45° (γ) μεταξύ του δίσκου του πριονιού (7) και περιστρεφόμενου πάγκου (16).
- Χαλαρώστε το παξιμάδι στην αντίθετη πλευρά (32) και ρυθμίστε τη βίδα ρύθμισης (7) έτσι ώστε η γωνία μεταξύ πριονοδίσκου (16) και περιστρεφόμενου πάγκου να είναι ακριβώς 45°.

## 8. Λειτουργία

### 8.1 Πλαγιοτομή 90° και περιστρεφόμενος πάγκος εργασίας 0° (εικόνα 1–3, 12)

**Προσοχή!** Χάρη στο ελατήριο η μηχανή πετιέται ατυτόματα προς τα πάνω, δηλ. μην αφήσετε ελεύθερη τη χειρολαβή (1) μετά τη λήξη της κοπής, αλλά κινήστε την κεφαλή της μηχανής (5) αργά και με ελαφριά αντιπίεση προς τα επάνω.

Σε πλάτος κοπής έως περ. 100 mm μπορεί να ασφαλιστεί η λειτουργία έλξης του πριονιού με τη βίδα ασφάλισης για οδήγηση έλξης (24) στην πίσω θέση. Εάν το πλάτος κοπής υπερβαίνει τα 100 mm, πρέπει να προσέξετε πως η βίδα ασφάλισης για την οδήγηση έλξης (24) πρέπει να είναι χαλαρή και η κεφαλή της μηχανής (5) να κινείται ελεύθερα.

**Προσοχή!** Ο μετατοπιζόμενος οδηγός (29) πρέπει για φалтστομές να στερεωθεί στην εσωτερική θέση.

- Ανοίξτε τον μοχλό ακινητοποίησης (30) του μετατοπιζόμενου οδηγού και σπρώξτε τον μετατοπιζόμενο οδηγό προς τα μέσα.
- Ο μετατοπιζόμενος οδηγός (29) πρέπει να ακινητοποιείται τόσο πριν από την πιο εσωτερική θέση, ώστε η απόσταση μεταξύ

του οδηγού (29) και του δίσκου του πριονιού (7) να είναι το πολύ 5 mm.

- Πριν την τομή πρέπει να σιγουρευτείτε να μην υπάρχει μεταξύ του οδηγού (29) και του δίσκου του πριονιού (7) φόβος σύγκρουσης.
- Ξανασφίξτε τον μοχλό ακινητοποίησης (30).
- Φέρτε την κεφαλή της μηχανής (5) στην επάνω θέση.
- Σπρώξτε την κεφαλή της μηχανής (5) στη χειρολαβή (1) προς τα πίσω και ενδεχομένως ασφαλίστε την στη θέση αυτή. (ανάλογα με το πλάτος κοπής)
- Ακουμπήστε το ξύλο που θέλετε να κόψετε στον οδηγό (19) και πάνω στον περιστρεφόμενο πάγκο (16).
- Ασφαλίστε το υλικό με το σύστημα σύσφιξης (8) στο στερεωμένο πάγκο (17) για να αποφύγετε την μετατόπιση κατά τη διάρκεια της εργασίας.
- Πιέστε το μοχλό απομανδάλωσης (3) για να ελευθερώσετε την κεφαλή της μηχανής (5).
- Πιέστε το διακόπτη ενεργοποίησης/απενεργοποίησης (2) για να ενεργοποιήσετε τον κινητήρα.
- Σε σταθεροποιημένη οδήγηση έλξης (26): κινήστε την κεφαλή της μηχανής (5) με τη χειρολαβή (1) ομοιόμορφα και με ελαφριά πίεση προς τα κάτω, μέχρι ο πριονοδίσκος (7) να κόψει το κατεργαζόμενο αντικείμενο.
- Σε μη σταθεροποιημένη έλξη (26): τραβήξτε την κεφαλή της μηχανής (5) τελείως προς τα εμπρός. Χαμηλώστε τη χειρολαβή (1) ομοιόμορφα και με ελαφριά πίεση τελείως προς τα κάτω. Τώρα σπρώξτε την κεφαλή της μηχανής (5) αργά και ομοιόμορφα τελείως προς τα πίσω, μέχρι να κόψει ο πριονοδίσκος (7) τελείως το κατεργαζόμενο αντικείμενο.
- Μετά τη λήξη της εργασίας, φέρτε πάλι την κεφαλή της μηχανής (5) στην επάνω θέση ακινητοποίησης και αφήστε ελεύθερο το διακόπτη ενεργοποίησης/απενεργοποίησης (2).

GR/  
CY

## 8.2 Πλαγιοτομή 90° και περιστρεφόμενος πάγκος εργασίας 0°- 45° (εικόνα 1-3, 13)

Με το φαλτσοπρίονο μπορείτε να εκτελέσετε κοπές από 0° - 45° προς τα αριστερά και από 0° - 45° προς τα δεξιά προς τον οδηγό.

**Προσοχή!** Ο μετατοπιζόμενος οδηγός (29) πρέπει για πλαγιοτομές να στερεωθεί στην εσωτερική θέση.

- Ανοίξτε τον μοχλό ακινητοποίησης (30) του μετατοπιζόμενου οδηγού και σπρώξτε τον μετατοπιζόμενο οδηγό προς τα μέσα.
- Ο μετατοπιζόμενος οδηγός (29) πρέπει να ακινητοποιείται τόσο πριν από την πιο εσωτερική θέση, ώστε η απόσταση μεταξύ του οδηγού (29) και του δίσκου του πριονιού (7) να είναι το πολύ 5 mm.
- Πριν την τομή πρέπει να σιγουρευτείτε να μην υπάρχει μεταξύ του οδηγού (29) και του δίσκου του πριονιού (7) φόβος σύγκρουσης.
- Ξανασφίξτε τον μοχλό ακινητοποίησης (30).
- Χαλαρώστε τον περιστρεφόμενο πάγκο (16) με λασκάρισμα της χειρολαβής ασφάλισης (13).
- Πιέστε τον μοχλό κουμπώματος θέσεων (12). Περιστρέψτε το περιστρεφόμενο τραπέζι (16) και τον δείκτη (14) στην επιθυμούμενη γωνία της κλίμακας (15) και στερεώστε με τη λαβή ακινητοποίησης (13). Το πριόνι διαθέτει θέσεις κουμπώματος σε -45°, -30°, -22,5°, -15°, 0°, 15°, 22,5°, 30° και 45°, όπου μπορεί να κουμπωθεί ο μοχλός (12).
- Εκτελέστε την κοπή όπως περιγράφεται στο εδάφιο 8.1.

## 8.3 Γωνιαστή τομή 0°- 45° και περιστρεφόμενος πάγκος 0° (εικόνα 1-3, 14)

Με το φαλτσοπρίονο μπορείτε να εκτελέσετε κοπές προς τα αριστερά και δεξιά από 0°- 45° προς τον οδηγό-τέρμα.

**Προσοχή!** Ο μετατοπιζόμενος οδηγός (29) πρέπει για γωνιαστές τομές (κεφαλή πριονιού με κλίση) να στερεωθεί στην εξωτερική θέση.

- Ανοίξτε τον μοχλό ακινητοποίησης (30) του μετατοπιζόμενου οδηγού και σπρώξτε τον μετατοπιζόμενο οδηγό προς τα έξω.

- Ο μετατοπιζόμενος οδηγός (29) πρέπει να ακινητοποιείται τόσο πριν από την πιο εσωτερική θέση, ώστε η απόσταση μεταξύ του οδηγού (29) και του δίσκου του πριονιού (7) να είναι το πολύ 5 mm.
- Πριν την τομή πρέπει να σιγουρευτείτε να μην υπάρχει μεταξύ του οδηγού (29) και του δίσκου του πριονιού (7) φόβος σύγκρουσης.
- Ξανασφίξτε τον μοχλό ακινητοποίησης (30).
- Αποσυναρμολογήστε ενδεχομένως το σύστημα σύσφιξης (8) ή τοποθετήστε το στην απέναντι πλευρά του πάγκου εργασίας (17).
- Φέρτε την κεφαλή της μηχανής (5) στην επάνω θέση.
- Σταιθεροποιήστε τον περιστρεφόμενο πάγκο (16) στη θέση 0°.
- Λασκάρτε τη βίδα ασφάλισης (23). Χαλαρώστε τη βίδα σύσφιξης και δώστε κλίση στην κεφαλή της μηχανής (5) με τη χειρολαβή (1) προς τα αριστερά μέχρι να δείχνει ο δείκτης (21) την επιθυμούμενη γωνία στην κλίμακα (20).
- Κατόπιν σφίγγετε πάλι τη βίδα ασφάλισης (23).
- Σπρώξτε την κεφαλή της μηχανής (5) στη χειρολαβή (1) προς τα πίσω και ενδεχομένως ασφαλίστε την στη θέση αυτή. (ανάλογα με το πλάτος κοπής)
- Ακουμπήστε το ξύλο που θέλετε να κόψετε στον οδηγό (19) και πάνω στον περιστρεφόμενο πάγκο (16).
- Ασφαλίστε το υλικό με το σύστημα σύσφιξης (8) στο στερεωμένο πάγκο (17) για να αποφύγετε την μετατόπιση κατά τη διάρκεια της εργασίας.
- Πιέστε το μοχλό απομανδάλωσης (3) για να ελευθερώσετε την κεφαλή της μηχανής (5).
- Πιέστε το διακόπτη ενεργοποίησης/απενεργοποίησης (2) για να ενεργοποιήσετε τον κινητήρα.
- Σε σταθεροποιημένη οδήγηση έλξης (26): κινήστε την κεφαλή της μηχανής (5) με τη χειρολαβή (1) ομοιόμορφα και με ελαφριά πίεση προς τα κάτω, μέχρι ο δίσκος του πριονιού (7) να κόψει το κατεργαζόμενο αντικείμενο.

- Σε μη σταθεροποιημένη έλξη (26): τραβήξτε την κεφαλή της μηχανής (5) τελείως προς τα εμπρός. Χαμηλώστε τη χειρολαβή (1) ομοιόμορφα και με ελαφριά πίεση τελείως προς τα κάτω. Τώρα σπρώξτε την κεφαλή της μηχανής (5) αργά και ομοιόμορφα τελείως προς τα πίσω, μέχρι να κόψει ο πριονοδίσκος (7) τελείως το κατεργαζόμενο αντικείμενο.
- Μετά τη λήξη της εργασίας, φέρτε πάλι την κεφαλή της μηχανής (5) στην επάνω θέση ακινητοποίησης και αφήστε ελεύθερο το διακόπτη ενεργοποίησης/απενεργοποίησης (2).

#### 8.4 Γωνιαστή τομή 0°- 45° και περιστρεφόμενος πάγκος 0° - 45° (εικόνα 1–3, 15)

Με το φαλτσοπρίονο μπορείτε να εκτελέσετε κοπές γωνιάσματος προς τα αριστερά από 0°- 45° προς την επιφάνεια εργασίας και συγχρόνως από 0°- 45° προς τα αριστερά ή 0° - 45° προς τα δεξιά προς τον οδηγό –τέρμα (διπλό γώνιασμα).

**Προσοχή!** Ο μετατοπιζόμενος οδηγός (29) πρέπει για γωνιαστές τομές (κεφαλή πριονιού με κλίση) να στερεωθεί στην εξωτερική θέση.

- Ανοίξτε τον μοχλό ακινητοποίησης (30) του μετατοπιζόμενου οδηγού και σπρώξτε τον μετατοπιζόμενο οδηγό προς τα έξω.
- Ο μετατοπιζόμενος οδηγός (29) πρέπει να ακινητοποιείται τόσο πριν από την πιο εσωτερική θέση, ώστε η απόσταση μεταξύ του οδηγού (29) και του δίσκου του πριονιού (7) να είναι το πολύ 5 mm.
- Πριν την τομή πρέπει να σιγουρευτείτε να μην υπάρχει μεταξύ του οδηγού (29) και του δίσκου του πριονιού (7) φόβος σύγκρουσης.
- Ξανασφίξτε τον μοχλό ακινητοποίησης (30).
- Αποσυναρμολογήστε ενδεχομένως το σύστημα σύσφιξης (8) ή τοποθετήστε το στην απέναντι πλευρά του πάγκου εργασίας (17).
- Φέρτε την κεφαλή της μηχανής (5) στην επάνω θέση.
- Χαλαρώστε τον περιστρεφόμενο πάγκο (16) με λασκάρισμα της χειρολαβής ασφάλισης (13).

- Πιέστε τον μοχλό κουμπώματος θέσεων (12). Περιστρέψτε το περιστρεφόμενο τραπέζι (16) και τον δείκτη (14) στην επιθυμούμενη γωνία της κλίμακας (15) και στερεώστε με τη λαβή ακινητοποίησης (13).
- Χαλαρώστε τη βίδα ασφάλισης (23) και δώστε κλίση στην κεφαλή της μηχανής (5) με τη χειρολαβή (1) προς τα αριστερά μέχρι τη γωνία που επιθυμείτε (βλέπε και εδάφιο 8.3).
- Κατόπιν σφίγγετε πάλι τη βίδα ασφάλισης (23).
- Εκτελέστε την κοπή όπως περιγράφεται στο εδάφιο 8.3.

#### 8.5 Όριο βάθους κοπής (εικ. 16)

- Μπορείτε να ρυθμίσετε το βάθος κοπής αδιαβάθμητα με τη βίδα (27). Για το σκοπό αυτό χαλαρώστε το παξιμάδι με τα πτερύγια στη βίδα (27). Βάλτε τον οδηγό για το βάθος κοπής (28) προς τα έξω. Ρυθμίστε το επιθυμούμενο βάθος κοπής με βίδωμα ή ξεβίδωμα της βίδας (27). Κατόπιν σφίξτε το παξιμάδι στη βίδα (27).
- Ελέγξτε τη ρύθμιση με δοκιμαστική κοπή.

#### 8.6 Σάκος για ροκανίδια (εικ. 2)

Το πριόνι είναι εξοπλισμένο με σάκο για τη συλλογή των ροκανιδιών (22).

Ο σάκος συλλογής των ροκανιδιών (22) μπορεί να αδειαστεί από το φερμουάρ στην κάτω πλευρά.

#### 8.7 Αλλαγή του πριονοδίσκου (εικ. 1, 17-20)

**Βγάλτε το βύσμα σύνδεσης με το δίκτυο από την πρίζα!**

**Προσοχή!**

**Όταν αλλάζετε το δίσκο του πριονιού να φοράτε προστατευτικά γάντια! Κίνδυνος τραυματισμού!**

- Περιστρέψτε την κεφαλή της μηχανής (5) προς τα πάνω. Με το μπουλόνι ασφαλείας (25) ασφαλίστε στη θέση αυτή.
- Πιέστε τον μοχλό απασφάλισης (3). Αναδιπλώστε την προστασία του δίσκου του πριονιού (6) προς τα επάνω τόσο, μέχρι να βρίσκεται η εσοχή στην προστασία του δίσκου (6) πάνω από τη

GR/  
CY

βίδα φλάντζας (33).

- Με ένα χέρι πιέστε τη φραγή του άξονα του πριονιού (4). Με το άλλο χέρι βάλτε το κλειδί (c) στη βίδα της φλάντζας (33).
- Πιέστε γερά τη φραγή του άξονα του πριονιού (4) και στρίψτε τη βίδα της φλάντζας (33) αργά και αριστερόστροφα. Μετά από το πολύ μία περιστροφή κουμπώνει η φραγή του άξονα του πριονιού (4).
- Με λίγη περισσότερη δύναμη χαλαρώνετε τώρα δεξιόστροφα τη βίδα της φλάντζας (33).
- Ξεβιδώστε τελείως τη βίδα της φλάντζας (33) και αφαιρέστε την εξωτερική φλάντζα (34).
- Αφαιρέστε τον δίσκο του πριονιού (7) από την εσωτερική φλάντζα (40) και τραβήξτε την προς τα κάτω.
- Καθαρίστε προσεκτικά την βίδα φλάντζας (33), την εξωτερική φλάντζα (34) και την εσωτερική φλάντζα (40).
- Τοποθετήστε τον νέο δίσκο του πριονιού (7) στην αντίστροφη σειρά και σφίξτε τον.
- **Προσοχή!** Η λοξή πλευρά κοπής των δοντιών δηλ. η κατεύθυνση περιστροφής του πριονοδίσκου (7), πρέπει να συμφωνεί με την κατεύθυνση του βέλους στο περίβλημα.
- Πριν συνεχίσετε την εργασία, να ελέγξετε την άψογη λειτουργία των συστημάτων ασφαλείας.
- **Προσοχή!** Να ελέγχετε μετά από κάθε αλλαγή του δίσκου του πριονιού (7) εάν κινείται ελεύθερα ο δίσκος σε κάθετη θέση, καθώς και με κλίση 45°, στον πάγκο (11).
- **Προσοχή!** Η αλλαγή και ευθυγράμμιση του πριονοδίσκου (7) πρέπει να εκτελεσθεί σωστά.

### 8.8 Μεταφορά (εικ. 1-3)

- Ξανασφίξτε τη χειρολαβή ασφάλισης (13) και σταθεροποιήστε τον περιστρεφόμενο πάγκο (16).
- Χειριστείτε τον μοχλό απομαντάλωσης (3), πιέστε την κεφαλή της μηχανής (5) προς τα κάτω και ασφαλίστε με μπουλόνι ασφάλισης (25). Τώρα το πριόνι είναι μανδαλωμένο στην κατώτερη θέση.
- Ασφάλιση της λειτουργία έλξης του πριονιού με τη βίδα ασφάλισης για οδήγηση έλξης (24 ) στην πίσω θέση.
- Να μεταφέρετε τη μηχανή μαζί με τον πάγκο εργασίας (17).
- Για τη νέα συναρμολόγηση της μηχανής ακολουθήστε τη διαδικασία που περιγράφεται στο εδάφιο 7.2.

### 8.9 Λειτουργία λείζερ (εικ. 21–23/αρ. 35)

- **Ενεργοποίηση:** Κινήστε τον διακόπτη ενεργοποίησης/απενεργοποίησης λείζερ (36) στη θέση „1“. Στο επεξεργαζόμενο αντικείμενο προβάλλεται μία γραμμική λαίζερ, που δείχνει τ την ακριβή διαδρομή της κοπής.
- **Απενεργοποίηση:** Κινήστε τον διακόπτη ενεργοποίησης/απενεργοποίησης λείζερ (36) στη θέση „0“.
- **Ρύθμιση του λαίζερ:** Το λείζερ έχει προσαρμοστεί ήδη στο εργοστάσιο με τη βίδα (39) και έχει κολληθεί. Δεν απαιτείται περαιτέρω προσαρμογή του λείζερ στο εργοστάσιο / στην επιχείρησή σας. Προσοχή! Μη κοιτάζετε στην ακτίνα λείζερ.
- **Αλλαγή της μπαταρίας:** Σβήστε το λείζερ (35). Απομακρύντε το κάλυμμα της θήκης της μπαταρίας (38). Αφαιρέστε τις μπαταρίες και αντικαταστήστε τις με καινούργιες (2 x 1,5 Volt τύπου R03, LR 03 Micro, AAA). Προσέξτε κατά την τοποθέτηση τη σωστή θέση των πόλων των μπαταριών. Ξανακλείστε τη θήκη μπαταριών (37).

## 9. Αντικατάσταση καλωδίου σύνδεσης με το δίκτυο

Εάν το καλώδιο σύνδεσης με το δίκτυο αυτής της συσκευής είναι ελαττωματικό, πρέπει, προς αποφυγή κινδύνων, να αντικατασταθεί από τον κατασκευαστή ή το τμήμα του εξυπηρέτησης πελατών ή από παρόμοια εξειδικευμένο άτομο.

## 10. Καθαρισμός, συντήρηση και παραγγελία ανταλλακτικών

Πριν από όλες τις εργασίες τοποθέτησης να βγάσετε το φιλ από την πρίζα

### 10.1 Καθαρισμός

- Να κρατάτε όσο πιο ελεύθερα από σκόνη και ακαθαρσίες γίνεται τα συστήματα προστασίας, τις σχισμές εξαερισμού και το κέλυφος του μοτέρ. Σκουπίζετε τη συσκευή με ένα καθαρό πανί, ή καθαρίστε το με πεπεισμένο αέρα σε χαμηλή πίεση.
- Συνιστούμε να καθαρίζετε τη συσκευή αμέσως μετά από κάθε χρήση.
- Να καθαρίζετε τη συσκευή τακτικά με ένα νωπό πανί και λίγο μαλακό σαπούνι. Μη χρησιμοποιείτε καθαριστικά ή διαλύτες, γιατί δεν αποκλείεται να καταστρέψουν την επιφάνεια της συσκευής. Προσέξτε να μην περάσει νερό στο εσωτερικό της συσκευής.

### 10.2 Ψήκτρεις

Σε περίπτωση υπερβολικού σχηματισμού σπινθήρων να ελεγχθούν οι ψήκτρεις από εξειδικευμένο ηλεκτρολόγο. Προσοχή! Η αντικατάσταση των ψηκτρών επιτρέπεται να γίνει μόνο από εξειδικευμένο ηλεκτρολόγο.

### 10.3 Συντήρηση

Στο εσωτερικό της συσκευής δεν υπάρχουν εξαρτήματα που χρειάζονται συντήρηση.

### 10.4 Παραγγελία ανταλλακτικών:

Κατά την παραγγελία ανταλλακτικών να αναφέρετε τα εξής:

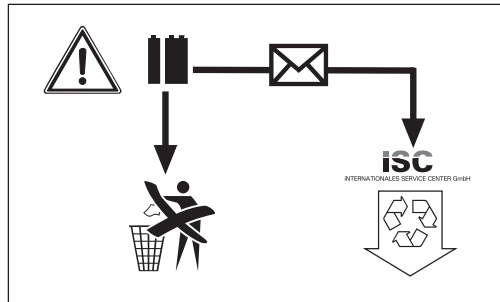
- Τύπος της συσκευής
  - Αριθμός είδους της συσκευής
  - Αριθμός ταύτισης της συσκευής
- Θα βρείτε τις ισχύουσες τιμές και πληροφορίες στην ιστοσελίδα [www.isc-gmbh.info](http://www.isc-gmbh.info)

## 11. Διάθεση στα απορρίμματα και επαναχρησιμοποίηση

Η συσκευή βρίσκεται σε μία συσκευασία προς αποφυγή ζημιών κατά τη μεταφορά Αυτή η συσκευασία αποτελείται από πρώτες ύλες και έτσι μπορεί να επαναχρησιμοποιηθεί ή να ανακυκλωθεί. Η συσκευή και τα εξαρτήματά της αποτελούνται από διάφορα υλικά, όπως π.χ. μέταλλο και πλαστικά υλικά. Να παραδίδετε τα ελαττωματικά εξαρτήματα σε κέντρα συλλογής ειδικών απορριμμάτων. Ενημερωθείτε στα ειδικά καταστήματα ή στην διοίκηση της κοινότητας!

### Απόρριψη των μπαταριών

Οι μπαταρίες περιέχουν υλικά επιβλαβή για το περιβάλλον. Μη πετάτε τις μπαταρίες στα οικιακά απορρίμματα, στη φωτιά ή στο νερό. Οι μπαταρίες να συλλέγονται, να ανακυκλώνονται ή να διατίθενται σε τρόπο φιλικό για το περιβάλλον. Στείλτε τις μεταχειρισμένες μπαταρίες στην εταιρία iSC GmbH, Eschenstraße 6, D-94405 Landau. Εκεί εξασφαλίζει ο κατασκευαστής την σωστή απόσυρσή τους.



GR/  
CY

Μόνο για κράτη-μέλη της Ε.Ε.

Μη πετάτε τις ηλεκτρικές  
συσκευές στα οικιακά  
απορρίμματα!

Σύμφωνα με την ευρωπαϊκή Οδηγία 2002/96/ΕΚ για απόβλητα ειδών ηλεκτρικού και ηλεκτρονικού εξοπλισμού και την ενσωμάτωσή της σε εθνικό δίκαιο, πρέπει οι μη χρησιμοποιούμενες ηλεκτρικές συσκευές να συγκεντρώνονται και να παραδίδονται για ανακύκλωση φιλική για το περιβάλλον.

Εναλλακτική λύση ανακύκλωσης αντί για επιστροφή

Ο ιδιοκτήτης της ηλεκτρικής συσκευής υποχρεούται αντί της επιστροφής να συμβάλει στη σωστή ανακύκλωση σε περίπτωση που δεν συνεχίζει να χρησιμοποιεί τη συσκευή. Η παλιά συσκευή μπορεί να παραχωρηθεί σε κέντρο επιστροφής ηλεκτρικών συσκευών με την έννοια των εθνικών νόμων ανακύκλωσης και διαχείρισης αποβλήτων. Δεν συμπεριλαμβάνονται τα τμήματα παλιών συσκευών και τα βοηθητικά στοιχεία χωρίς ηλεκτρικά εξαρτήματα.



## 12. Δήλωση Συμμόρφωσης

Einhell Germany AG · Wiesenweg 22 · D-94405 Landau/Isar



## Konformitätserklärung

- erklärt folgende Konformität gemäß EU-Richtlinie und Normen für Artikel  
 explains the following conformity according to EU directives and norms for the following product  
 déclare la conformité suivante selon la directive CE et les normes concernant l'article  
 dichiara la seguente conformità secondo la direttiva UE e le norme per l'articolo  
 verklaart de volgende overeenstemming conform EU richtlijn en normen voor het product  
 declara la siguiente conformidad a tenor de la directiva y normas de la UE para el artículo  
 declara a seguinte conformidade, de acordo com a directiva CE e normas para o artigo  
 atterer følgende overensstemmelse i medfør af EU-direktiv samt standarder for artikel  
 förklarar följande överensstämmelse enl. EU-direktiv och standarder för artikeln  
 vakuuttaa, että tuote täyttää EU-direktiivin ja standardien vaatimukset  
 tõendab toote vastavust EL direktiivile ja standarditele  
 vydává následující prohlášení o shodě podle směrnice EU a norem pro výrobek  
 potrjuje sledečo skladnost s smernico EU in standardi za izdelek  
 vydáva nasledujúce prehlásenie o zhode podľa smernice EÚ a noriem pre výrobok  
 a cikkekhez az EU-irányvonal és Normák szerint a következő konformitást jelenti ki  
 deklaruje zgodność wymienionego poniżej artykułu z następującymi normami na podstawie dyrektywy WE.  
 декларира съответното съответствие съгласно Директива на ЕС и норми за артикул  
 paskaidro šādu atbilstību ES direktīvai un standartiem  
 apibūdina šj atitikimą EU reikalavimams ir prekės normoms  
 declară următoarea conformitate conform directivei UE și normelor pentru articolul  
 δηλώνει την ακόλουθη συμμόρφωση σύμφωνα με την Οδηγία ΕΚ και τα πρότυπα για το προϊόν  
 potvrđuje sljedeću usklađenost prema smjernicama EU i normama za artikl  
 Izjava o sukladnosti za ovaj proizvod dostupna je na internet stranici www.lidl.hr.  
 potvrđuje sljedeću usklađenost prema smjernicama EU i normama za artikl  
 potvrđuje sledeću usklađenost prema smernicama EZ i normama za artikal  
 следующим удостоверяется, что следующие продукты соответствуют директивам и нормам ЕС  
 проголошує про зазначену нижче відповідність виробу директивам та стандартам ЄС на виріб  
 Ürünü ile ilgili AB direktifleri ve normları gereğince aşağıda açıklanan uygunluğu belirtir  
 erklærer følgende samsvar i henhold til EU-direktivet og standarder for artikkel  
 Lýsir uppfyllingu EU-reglna og annarra staða vöru

## Zug-, Kapp- und Gehrungssäge PKS 1700 A1 (Parkside)

- 87/404/EC\_2009/105/EC  
 2005/32/EC\_2009/125/EC  
 2006/95/EC  
 2006/28/EC  
 2004/108/EC  
 2004/22/EC  
 1999/5/EC  
 97/23/EC  
 90/396/EC\_2009/142/EC  
 89/686/EC\_96/58/EC  
 2006/42/EC  
 Annex IV  
 Notified Body:  
 Notified Body No.:  
 Reg. No.:  
 2000/14/EC\_2005/88/EC  
 Annex V  
 Annex VI  
 Noise: measured  $L_{WA}$  = dB (A); guaranteed  $L_{WA}$  = dB (A)  
 P = KW; L/Ø = cm  
 Notified Body:  
 2004/26/EC  
 Emission No.:

Standard references: EN 61029-1; EN 61029-2-9; EN 55014-1;  
EN 55014-2; EN 61000-3-2; EN 61000-3-11; EN 60825-1

Landau/Isar, den 08.09.2010

  
Weichselgartner/General Manager


  
Wentao/Product-Management

First CE: 10  
 Art.-No.: 43.006.82 I.-No.: 11010  
 Subject to change without notice

Archive-File/Record: 4300685-42-4199908-08  
 Documents registrar: Siegfried Roider  
 Wiesenweg 22, D-94405 Landau/Isar

# 13. ΕΓΓΥΗΣΗ

## Αξιότιμη πελάτισσα, αξιότιμε πελάτη,

Τα προϊόντα μας υπόκεινται σε αυστηρούς ελέγχους ποιότητας. Εάν παρ'όλα αυτά κάποτε δεν λειτουργήσουν άψογα, λυπούμαστε πολύ και σας παρακαλούμε να αποτανθείτε προς το τμήμαμας Εξυπηρέτησης Πελατών, στη διεύθυνση που αναφέρετε σε αυτή την εγγύηση. Ευχαρίστως σας βοηθούμε και τηλεφωνικώς στον αριθμό που αναφέρετε πιο κάτω. Για την κατίσχυση των αξιώσεων εγγύησης ισχύουν τα εξής:

1. Αυτοί οι όροι εγγύησης ρυθμίζουν πρόσθετες παροχές εγγύησης. Από την εγγύηση αυτή δεν θίγονται οι νόμιμες αξιώσεις σας για εγγύηση. Η παροχή της εγγύησής μας είναι για σας δωρεάν.
2. Η εγγύηση καλύπτει αποκλειστικά και μόνο βλάβες που οφείλονται σε ελαττώματα υλικών ή παραγωγής και περιορίζονται στην αποκατάσταση αυτών των ελαττωμάτων ή την αντικατάσταση της συσκευής. Παρακαλούμε να προσέξετε πως οι συσκευές μας δεν προορίζονται για τη βιομηχανία, τη βιοτεχνία και την επαγγελματική χρήση. Για το λόγο αυτό δεν υφίσταται σύμβαση εγγύησης σε περίπτωση χρήσης της συσκευής στη βιομηχανία, βιοτεχνία, για επαγγελματικό ή άλλο παρόμοιο σκοπό. Από την εγγύησή μας αποκλείονται πέραν τούτου αποζημιώσεις για βλάβες μεταφοράς, βλάβες οφειλόμενες σε μη τήρηση της Οδηγίας συναρμολόγησης, ή σε εσφαλμένη εγκατάσταση, μη τήρηση της Οδηγίας χρήσης (π.χ. σύνδεση σε λάθος τάση δικτύου ή είδος ρεύματος), καταχρηστική ή όχι ορθή χρήση (π.χ. υπερφόρτωση ή χρήση μη εγκεκριμένων ανταλλακτικών εργαλείων ή εξαρτημάτων), μη τήρηση των Υποδείξεων συντήρησης και ασφαλείας, είσοδος ξένων αντικειμένων στη συσκευή (όπως π.χ. άμμος ή σκόνη), χρήση βίας ή εξωτερική επίδραση (όπως π.χ. βλάβες από πτώση) καθώς και βλάβες που οφείλονται σε κοινή φθορά.
- Η αξίωση εγγύησης εκπίπτει σε περίπτωση που έγιναν ήδη ξένες επεμβάσεις στη συσκευή.
3. Η διάρκεια της εγγύησης ανέρχεται σε 3 έτη και αρχίζει από την ημερομηνία αγοράς της συσκευής. Οι αξιώσεις εγγύησης πρέπει να κατισχυθούν πριν την πάροδο της προθεσμίας της εγγύησης εντός δύο εβδομάδων από την διαπίστωση του ελαττώματος. Αποκλείεται η κατίσχυση αξιώσεων εγγύησης μετά την πάροδο της προθεσμίας της εγγύησης. Η επισκευή ή η αντικατάσταση της συσκευής δεν συνεπάγεται ούτε την επέκταση της διάρκειας της εγγύησης ούτε την έναρξη νέας προθεσμίας εγγύησης για τη συσκευή ή τα ενδεχομένως τοποθετηθέντα εξαρτήματα. Το ίδιο ισχύει και σε περίπτωση σέρβις επί τόπου.
4. Για την κατίσχυση της αξίωσης της εγγύησης σας παρακαλούμε να μας αποστείλετε τη συσκευή, χωρίς επιβάρυνσή μας με ταχυδρομικά τέλη, στην πιο κάτω αναφερόμενη διεύθυνση. Μη ξεχάσετε να επισυνάψετε το πρωτότυπο της απόδειξης αγοράς ή άλλο ισχύον αποδεικτικό αγοράς. Για το λόγο αυτό σας παρακαλούμε να φυλάξετε καλά την απόδειξη του ταμείου! Παρακαλούμε επίσης να μας περιγράψετε την αιτία για την διαμαρτυρία σας όσο πιο αναλυτικά γίνεται. Εάν το ελάττωμα της συσκευής σας καλύπτεται από την εγγύησή μας, είτε θα σας επιστραφεί ταχύτατα η επισκευασμένη συσκευή σας, είτε θα λάβετε μία νέα συσκευή.

Φυσικά επισκευάζουμε ευχαρίστως έναντι αμοιβής και ελαττώματα στη συσκευή σας που δεν καλύπτονται ή δεν καλύπτονται πλέον από την εγγύηση. Για το σκοπό αυτό σας παρακαλούμε να αποστείλετε τη συσκευή σας στη διεύθυνση του τμήματός μας για Εξυπηρέτηση Πελατών.

**EINHELL Hellas A. E.**

Lasithiou Str. 4

14342 Nea Philadelphia

Tel. 0210 2776871 · Fax 0210 2776871

<b>Inhaltsverzeichnis:</b>	<b>Seite</b>
1. Einleitung .....	.61
2. Sicherheitshinweise .....	.61-65
3. Gerätebeschreibung .....	.66
4. Lieferumfang .....	.66
5. Bestimmungsgemäße Verwendung .....	.66-67
6. Technische Daten .....	.67-68
7. Vor Inbetriebnahme .....	.68-69
8. Betrieb .....	.69-72
9. Austausch der Netzanschlussleitung .....	.72
10. Reinigung, Wartung und Ersatzteilbestellung .....	.72-73
11. Entsorgung und Wiederverwertung .....	.73
12. Konformitätserklärung .....	.74
13. Garantieurkunde .....	.75

Der Nachdruck oder sonstige Vervielfältigung von Dokumentation und Begleitpapieren der Produkte, auch auszugsweise ist nur mit ausdrücklicher Zustimmung der ISC GmbH zulässig.

Technische Änderungen vorbehalten

DE/AT/  
CH

## Erklärung der Symbole auf dem Gerät



“WARNUNG - Zur Verringerung des Verletzungsrisikos Bedienungsanleitung lesen”



**Tragen Sie einen Gehörschutz.**

Die Einwirkung von Lärm kann Hörverlust bewirken.



**Tragen Sie eine Staubschutzmaske.**

Beim Bearbeiten von Holz und anderer Materialien kann gesundheitsschädlicher Staub entstehen. Asbesthaltiges Material darf nicht bearbeitet werden!



**Tragen Sie eine Schutzbrille.**

Während der Arbeit entstehende Funken oder aus dem Gerät heraustretende Splitter, Späne und Stäube können Sichtverlust bewirken.



**Achtung! Verletzungsgefahr!**

Nicht in das laufende Sägeblatt greifen!

## 1. Einleitung

### ⚠ Achtung!

Beim Benutzen von Geräten müssen einige Sicherheitsvorkehrungen eingehalten werden, um Verletzungen und Schäden zu verhindern. Lesen Sie diese Bedienungsanleitung / Sicherheitshinweise deshalb sorgfältig durch. Bewahren Sie diese gut auf, damit Ihnen die Informationen jederzeit zur Verfügung stehen. Falls Sie das Gerät an andere Personen übergeben sollten, händigen Sie diese Bedienungsanleitung / Sicherheitshinweise bitte mit aus. Wir übernehmen keine Haftung für Unfälle oder Schäden, die durch Nichtbeachten dieser Anleitung und den Sicherheitshinweisen entstehen.

## 2. Sicherheitshinweise

### ⚠ WARNUNG

**Lesen Sie alle Sicherheitshinweise und Anweisungen.** Versäumnisse bei der Einhaltung der Sicherheitshinweise und Anweisungen können elektrischen Schlag, Brand und/oder schwere Verletzungen verursachen.

**Bewahren Sie alle Sicherheitshinweise und Anweisungen für die Zukunft auf.**

### 2.1 Allgemeine Sicherheitshinweise zu Elektrogeräten

**Achtung! Beim Gebrauch von Elektrowerkzeugen sind zum Schutz gegen elektrischen Schlag, Verletzungs- und Brandgefahr folgende Sicherheitsmaßnahmen zu beachten. Lesen und beachten Sie diese Hinweise, bevor Sie das Gerät benutzen.**

- **Halten Sie Ihren Arbeitsbereich in Ordnung**
  - Unordnung im Arbeitsbereich ergibt Unfallgefahr.
- **Berücksichtigen Sie Umgebungseinflüsse**
  - Setzen Sie Elektrowerkzeuge nicht dem

Regen aus. Benutzen Sie Elektrowerkzeuge nicht in feuchter oder nasser Umgebung. Sorgen Sie für gute Beleuchtung. Benutzen Sie Elektrowerkzeuge nicht in der Nähe von brennbaren Flüssigkeiten oder Gasen.

- **Schützen Sie sich vor elektrischem Schlag**
  - Vermeiden Sie Körperberührung mit geerdeten Teilen, zum Beispiel Rohren, Heizkörpern, Herden, Kühlschränken.
- **Halten Sie Kinder fern!**
  - Lassen Sie andere Personen nicht das Werkzeug oder Kabel berühren, halten Sie sie von Ihrem Arbeitsbereich fern.
- **Bewahren Sie Ihre Werkzeuge sicher auf**
  - Unbenutzte Werkzeuge müssen in einem trockenen, verschlossenen Raum und für Kinder nicht erreichbar aufbewahrt werden.
- **Überlasten Sie Ihre Werkzeuge nicht**
  - Sie arbeiten besser und sicherer im angegebenen Leistungsbereich.
- **Benutzen Sie das richtige Werkzeug**
  - Verwenden Sie keine zu schwachen Werkzeuge oder Vorsatzgeräte für schwere Arbeiten. Benutzen Sie Werkzeuge nicht für Zwecke und Arbeiten, für die sie nicht bestimmt sind; zum Beispiel benutzen Sie keine Handkreissäge, um Bäume zu fällen oder Äste zu schneiden.
- **Tragen Sie geeignete Arbeitskleidung**
  - Tragen Sie keine weite Kleidung oder Schmuck. Sie können von beweglichen Teilen erfasst werden. Bei Arbeiten im Freien sind Gummihandschuhe und rutschfestes Schuhwerk empfehlenswert. Tragen Sie bei langen Haaren ein Haarnetz.
- **Benutzen Sie eine Schutzbrille**
  - Verwenden Sie eine Atemmaske bei stauberzeugenden Arbeiten.
- **Zweckentfremden Sie nicht das Kabel**
  - Tragen Sie das Werkzeug nicht am Kabel, und benutzen Sie es nicht, um den Stecker aus der Steckdose zu ziehen. Schützen Sie das Kabel vor Hitze, Öl und scharfen Kanten.
- **Sichern Sie das Werkstück**
  - Benutzen Sie Spannvorrichtungen oder

DE/AT/  
CH

einen Schraubstock, um das Werkstück festzuhalten. Es ist damit sicherer gehalten als mit Ihrer Hand und ermöglicht die Bedienung der Maschine mit beiden Händen.

- **Überdehnen Sie Ihren Standbereich nicht**
  - Vermeiden Sie abnormale Körperhaltung. Sorgen Sie für sicheren Stand, und halten Sie jederzeit das Gleichgewicht.
- **Pflegen Sie Ihre Werkzeuge mit Sorgfalt**
  - Halten Sie Ihre Werkzeuge scharf und sauber, um gut und sicher zu arbeiten. Befolgen Sie die Wartungsvorschriften und die Hinweise für Werkzeugwechsel. Kontrollieren Sie regelmäßig den Stecker und das Kabel, und lassen Sie diese bei Beschädigung von einem anerkannten Fachmann erneuern. Kontrollieren Sie Verlängerungskabel regelmäßig und ersetzen Sie beschädigte. Halten Sie Handgriffe trocken und frei von Öl und Fett.
- **Ziehen Sie den Netzstecker**
  - Bei Nichtgebrauch, vor der Wartung und beim Werkzeugwechsel, wie zum Beispiel Sägeblatt, Bohrer und Maschinenwerkzeugen aller Art.
- **Lassen Sie keine Werkzeugschlüssel stecken**
  - Überprüfen Sie vor dem Einschalten, dass die Schlüssel und Einstellwerkzeuge entfernt sind.
- **Vermeiden Sie unbeabsichtigten Anlauf**
  - Tragen Sie keine an das Stromnetz angeschlossenen Werkzeuge mit dem Finger am Schalter. Vergewissern Sie sich, dass der Schalter beim Anschluss an das Stromnetz ausgeschaltet ist.
- **Verlängerungskabel im Freien**
  - Verwenden Sie im Freien nur dafür zugelassene und entsprechend gekennzeichnete Verlängerungskabel.
- **Seien Sie stets aufmerksam**
  - Beobachten Sie Ihre Arbeit. Gehen Sie vernünftig vor. Verwenden Sie das Werkzeug nicht, wenn Sie unkonzentriert sind.
- **Kontrollieren Sie Ihr Gerät auf Beschädigungen**
  - Vor weiterem Gebrauch des Werkzeugs

die Schutzeinrichtungen oder leicht beschädigte Teile sorgfältig auf ihre einwandfreie und bestimmungsgemäße Funktion überprüfen. Überprüfen Sie, ob die Funktion beweglicher Teile in Ordnung ist, ob sie nicht klemmen oder ob Teile beschädigt sind. Sämtliche Teile müssen richtig montiert sein um die Sicherheit des Gerätes zu gewährleisten.

Beschädigte Schutzvorrichtungen und Teile müssen sachgemäß durch eine Kundendienstwerkstatt repariert oder ausgewechselt werden, soweit nichts anderes in den Betriebsanleitungen angegeben ist. Beschädigte Schalter müssen bei einer Kundendienstwerkstatt ersetzt werden. Benutzen Sie keine Werkzeuge, bei denen sich der Schalter nicht ein- und ausschalten lässt.

- **Achtung!**
  - Zu Ihrer eigenen Sicherheit, benutzen Sie nur Zubehör und Zusatzgeräte, die in der Bedienungsanleitung angegeben oder vom Werkzeug-Hersteller empfohlen oder angegeben werden. Der Gebrauch anderer als der in der Bedienungsanleitung oder im Katalog empfohlenen Einsatzwerkzeuge oder Zubehöre kann eine persönliche Verletzungsgefahr für Sie bedeuten.
- **Reparaturen nur vom Elektrofachmann**

Dieses Elektrowerkzeug entspricht den einschlägigen Sicherheitsbestimmungen. Reparaturen dürfen nur von einer Elektrofachkraft ausgeführt werden, andernfalls können Unfälle für den Betreiber entstehen.
- **Schließen Sie die Staubabsaug-Einrichtung an**
  - Wenn Vorrichtungen zum Anschluss von Staubabsaug-Einrichtungen vorhanden sind, überzeugen Sie sich, dass diese angeschlossen und benutzt werden.

## 2.2 Spezielle Sicherheitshinweise zum Gerät

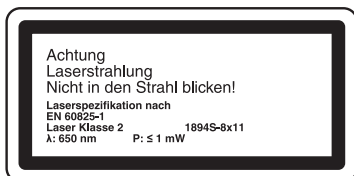
### 1. Sicherheitsmaßnahmen

- Abgenutzte Tischeinlage austauschen.
- Nur die vom Hersteller empfohlenen Sägeblätter verwenden, die EN 847-1 entsprechen.
- Falls erforderlich, geeignete persönliche Schutzausrüstung tragen. Die könnte beinhalten:
  - Gehörschutz zur Verminderung des Risikos, schwerhörig zu werden;
  - Atemschutz zur Verminderung des Risikos, gefährlichen Staub einzuatmen.
  - Beim Hantieren mit Sägeblättern und rauen Werkstoffen Handschuhe tragen. Sägeblätter müssen wann immer praktikabel in einem Behältnis getragen werden.
- Folgende Faktoren können die Staubfreisetzung beeinflussen:
  - Abgenutzte, beschädigte oder rissige Sägeblätter
  - Empfohlene Absaugleistung der Absauganlage 20 m/s
  - Das Werkstück soll ordnungsgemäß geführt werden
- Sägeblätter aus hochlegiertem Schnellarbeitsstahl (HSS-Stahl) dürfen nicht verwendet werden.

### 2. Sicherheitshinweise zum Laser



**Achtung :**  
**Laserstrahlung**  
**Nicht in den Strahl blicken**  
**Laserklasse 2**



Schützen Sie sich und Ihre Umwelt durch geeignete Vorsichtsmaßnahmen vor Unfallgefahren.

- Nicht direkt mit ungeschützten Augen in

den Laserstrahl blicken.

- Niemals direkt in den Strahlengang blicken.
- Den Laserstrahl nie auf reflektierende Flächen, Personen oder Tiere richten. Auch ein Laserstrahl mit geringer Leistung kann Schäden am Auge verursachen.
- Vorsicht - wenn andere als die hier angegebenen Verfahrensweisen ausgeführt werden, kann dies zu einer gefährlichen Strahlungsexposition führen.
- Lasermodul niemals öffnen.
- Wenn der Laser längere Zeit nicht benutzt wird, sollten die Batterien entfernt werden.
- Verwenden Sie niemals ein optisches Instrument (z. B. Lupe), um den Laserstrahl zu betrachten.
- Kontrollieren Sie den Laser regelmäßig und vor dem Gebrauch auf äußere Schäden. Verwenden Sie das Gerät nicht, wenn es Schäden aufweist, um Gefährdungen zu vermeiden.
- Lassen Sie einen defekten Laser nur von einer Kundendienstwerkstatt reparieren.

### 3. Sicherheitshinweise zu den Batterien

- Batterien niemals wieder aufladen. Es besteht Explosionsgefahr.
- Batterien von Kindern fernhalten, nicht ins Feuer werfen, kurzschließen oder auseinander nehmen.
- Batterie- und Gerätekontakte vor Einlegen der Batterien bei Bedarf säubern.
- Erschöpfte Batterien sofort aus dem Gerät entfernen. Auslaufgefahr!
- Immer alle Batterien gleichzeitig ersetzen. Verwenden Sie dazu nur neue Batterien des gleichen Typs.
- Kontakt mit Haut, Augen und Schleimhäuten vermeiden. Bei Kontakt mit Batteriesäure die betroffenen Stellen sofort mit reichlich klarem Wasser spülen und umgehend einen Arzt aufsuchen.
- Batterien keinen extremen Bedingungen aussetzen, z. B. auf Heizkörpern, Sonnenschein! Erhöhte Auslaufgefahr!

DE/AT/  
CH

#### 4. Instandhaltung und Service

- Folgende Bedingungen können die Lärmeinflüsse auf die Bedienperson beeinflussen.
  - Art des Sägeblattes (z.B. Sägeblätter zur Verringerung der Geräuscheinwirkung)
  - Material des Werkstückes
  - Kraft, mit welcher das Werkstück gegen das Sägeblatt geschoben wird.
- Fehler in der Maschine, einschließlich der Schutzeinrichtungen und des Sägeblatts, sind so bald sie entdeckt werden, der für die Sicherheit verantwortlichen Person zu melden.

#### 5. Sicherer Betrieb

- Ein für den zu schneidenden Werkstoff geeignetes Sägeblatt verwenden.
- Die Kapp/Zug/Gehungssäge niemals zum Schneiden anderer als der vom Hersteller angegebenen Werkstoffe verwenden.
- Beim Transportieren der Maschine nur die Transportvorrichtungen verwenden und niemals die Schutzvorrichtungen für Handhabung oder Transport verwenden.
- Die Säge nur einsetzen, wenn sich die Säge in gutem Zustand befindet und ordnungsgemäß gewartet ist und wenn sich die Schutzeinrichtungen in der vorgesehenen Position befinden.
- Darauf achten, dass die Einrichtung zum Schwenken des Armes beim Gehungssägen sicher befestigt ist.
- Der Fußboden im Umkreis der Maschine muss eben, sauber und frei von losen Partikeln, wie z. B. Spänen und Schnittresten, sein.
- Die Bedienperson muss ausreichend in Anwendung, Einstellung und Bedienung der Maschine geschult sein.
- Nur ordnungsgemäß geschärfte Sägeblätter verwenden. Die auf dem Sägeblatt angegebene Höchstdrehzahl ist einzuhalten.
- Darauf achten, nur solche Distanzscheiben und Spindelringe zu verwenden, die für den vom Hersteller angegebenen Zweck geeignet sind.
- Wenn die Maschine mit einem Laser ausgerüstet ist, darf dieser Laser nicht

gegen einen Laser anderen Typs ausgetauscht werden. Reparaturen dürfen nur vom Hersteller des Lasers oder einem autorisierten Vertreter vorgenommen werden.

- Keine Schnittreste oder sonstige Werkstückteile aus dem Schnittbereich entfernen, so lange die Maschine läuft und das Sägeaggregat sich noch nicht in der Ruhestellung befindet.
- Darauf achten, dass die Maschine, wenn irgend möglich, immer an einer Werkbank oder einem Tisch befestigt ist.
- Lange Werkstücke gegen Abkippen am Ende des Schneidvorgangs sichern (z. B. Abrollständer).

#### 6. Zusätzliche Sicherheitshinweise für Kappsägen

- Geben Sie die Sicherheitshinweise an alle Personen, die an der Maschine arbeiten, weiter.
- Verwenden Sie die Säge nicht zum Brennholzsägen.
- **Vorsicht!** Durch das rotierende Sägeblatt besteht Verletzungsgefahr für Hände und Finger.
- Überprüfen Sie vor Inbetriebnahme, ob die Spannung auf dem Typenschild des Gerätes mit der Netzspannung übereinstimmt.
- Ist ein Verlängerungskabel erforderlich, so vergewissern Sie sich, dass dessen Querschnitt für die Stromaufnahme der Säge ausreichend ist. Mindestquerschnitt 1,5 mm<sup>2</sup>.
- Kabeltrommel nur im abgerolltem Zustand verwenden.
- Die Bedienperson muss mindestens 18 Jahre alt sein, Auszubildende mind. 16 Jahre, jedoch nur unter Aufsicht.
- An der Maschine tätige Personen dürfen nicht abgelenkt werden.
- Beachten Sie die Motor- und Sägeblatt-Drehrichtung.
- Das Sägeblatt darf in keinem Fall nach dem Ausschalten des Antriebs durch seitliches Gegendrücken gebremst werden.
- Bauen Sie nur gut geschärfte, rissfreie und nicht verformte Sägeblätter ein.



- Fehlerhafte Sägeblätter müssen sofort ausgetauscht werden.
- Benützen Sie keine Sägeblätter, die den in dieser Gebrauchsanweisung angegebenen Kenndaten nicht entsprechen.
- Es ist sicherzustellen, dass der Pfeil auf dem Sägeblatt mit, dem angebrachtem Pfeil auf dem Gerät übereinstimmt.
- Vergewissern Sie sich, dass das Sägeblatt in keiner Stellung den Drehtisch berührt, indem Sie bei gezogenem Netzstecker das Sägeblatt mit der Hand, in der 45° und in der 90° Stellung drehen. Sägekopf gegebenenfalls neu justieren.
- Es ist sicherzustellen, dass alle Einrichtungen, die das Sägeblatt verdecken, einwandfrei arbeiten.
- Der bewegliche Sägeblattschutz darf in geöffnetem Zustand nicht festgeklemmt werden.
- Sicherheitseinrichtungen an der Maschine dürfen nicht demontiert oder unbrauchbar gemacht werden.
- Beschädigte oder fehlerhafte Schutzeinrichtungen sind unverzüglich auszutauschen.
- Schneiden Sie keine Werkstücke, die zu klein sind, um sie sicher in der Hand zu halten.
- Vermeiden Sie ungeschickte Handpositionen, bei denen durch ein plötzliches Abrutschen eine oder beide Hände das Sägeblatt berühren könnten.
- Runde Werkstücke dürfen nicht geschnitten werden.
- Es dürfen sich keine Nägel oder sonstige Fremdkörper in dem zu sägenden Teil des Werkstücks befinden.
- Arbeitsstellung stets seitlich vom Sägeblatt.
- Die Maschine nicht soweit belasten, dass sie zum Stillstand kommt.
- Drücken Sie das Werkstück immer fest gegen Arbeitsplatte und Anschlagschiene, um ein Wackeln bzw. Verdrehen des Werkstückes zu verhindern.
- Stellen Sie sicher, dass die Abschnitte sich seitlich vom Sägeblatt entfernen können. Andernfalls ist es möglich, dass sie vom Sägeblatt erfasst und weggeschleudert werden.
- Sägen Sie niemals mehrere Werkstücke gleichzeitig.
- Entfernen Sie nie lose Splitter, Späne oder eingeklemmte Holzteile bei laufendem Sägeblatt.
- Zum Beheben von Störungen oder zum Entfernen eingeklemmter Holzstücke die Maschine ausschalten. - Netzstecker ziehen -
- Sämtliche Schutz- und Sicherheitseinrichtungen müssen nach abgeschlossener Reparatur oder Wartung sofort wieder montiert werden.
- Die Sicherheits-, Arbeits-, und Wartungshinweise des Herstellers, sowie die in den technischen Daten angegebenen Abmessungen, müssen eingehalten werden.
- Die einschlägigen Unfallverhütungsvorschriften und die sonstigen, allgemein anerkannten sicherheitstechnischen Regeln müssen beachtet werden.
- Der Betrieb in geschlossenen Räumen ist nur mit einer geeigneten Absauganlage zulässig.
- Die Kappsäge muss an einer 230 V Schukosteckdose (Schutzkontaktsteckdose), mit einer Mindestabsicherung von 10 A, angeschlossen werden.
- Verwenden Sie keine leistungsschwachen Maschinen für schwere Arbeiten.
- Beim Senkrechtarbeiten Vorsicht walten lassen.
- Achtung, bei Doppelgehrungsschnitten ist besondere Vorsicht geboten!

**Bewahren Sie die Sicherheitshinweise gut auf**

DE/AT/  
CH

### 3. Gerätebeschreibung

1. Handgriff
2. Ein-/Ausschalter
3. Entriegelungshebel
4. Sägewellensperre
5. Maschinenkopf
6. Sägeblattschutz beweglich
7. Sägeblatt
8. Spannvorrichtung
9. Werkstückauflage
10. Feststellschraube für Werkstückauflage
11. Tischeinlage
12. Raststellungshebel
13. Feststellgriff
14. Zeiger
15. Skala
16. Drehtisch
17. feststehender Säge Tisch
18. zusätzlicher Standbügel
19. Anschlagsschiene
20. Skala
21. Zeiger
22. Spänefangsack
23. Feststellschraube
24. Feststellschraube für Zugführung
25. Sicherungsbolzen
26. Zugführung
27. Rändelschraube für  
Schnittiefenbegrenzung
28. Anschlag für Schnittiefenbegrenzung
29. Verschiebbare Anschlagsschiene
30. Feststellhebel für verschiebbare  
Anschlagsschiene.
31. Justierschraube (90°)
32. Justierschraube (45°)
33. Flanschschraube
34. Außenflansch
35. Laser
36. Ein-/Ausschalter Laser
37. Batteriefach
38. Batteriefachdeckel
39. Schraube
40. Innenflansch

- c) Schraubenschlüssel
- d) Gegenmutter
- y) 45° Anschlagwinkel (Im Lieferumfang nicht enthalten)
- z) 90° Anschlagwinkel (Im Lieferumfang nicht enthalten)

### 4. Lieferumfang

- Zug-, Kapp- und Gehrungssäge
- 2 x Spannvorrichtung (8)
- 2 x Werkstückauflage (9)
- Spänefangsack (22)
- Inbusschlüssel
- Schraubenschlüssel (c)
- zusätzlicher Standbügel (18)
- 2 x Batterie (1,5V LR6)

### 5. Bestimmungsgemäße Verwendung

Die Zug-, Kapp- und Gehrungssäge dient zum Kappen von Holz und Kunststoff, entsprechend der Maschinengröße. Die Säge ist nicht zum Schneiden von Brennholz geeignet.

Die Maschine darf nur nach ihrer Bestimmung verwendet werden. Jede weitere darüber hinausgehende Verwendung ist nicht bestimmungsgemäß. Für daraus hervorgerufene Schäden oder Verletzungen aller Art haftet der Benutzer/Bediener und nicht der Hersteller.

Bitte beachten Sie, dass unsere Geräte bestimmungsgemäß nicht für den gewerblichen, handwerklichen oder industriellen Einsatz konstruiert wurden. Wir übernehmen keine Gewährleistung, wenn das Gerät in Gewerbe-, Handwerks- oder Industriebetrieben sowie bei gleichzusetzenden Tätigkeiten eingesetzt wird.

Es dürfen nur für die Maschine geeignete Sägeblätter verwendet werden. Die Verwendung von Trennscheiben aller Art ist untersagt.  
Bestandteil der bestimmungsgemäßen

Verwendung ist auch die Beachtung der Sicherheitshinweise, sowie die Montageanleitung und Betriebshinweise in der Bedienungsanleitung.


Personen, die die Maschine bedienen und warten, müssen mit dieser vertraut und über mögliche Gefahren unterrichtet sein. Darüber hinaus sind die geltenden Unfallverhütungsvorschriften genauestens einzuhalten. Sonstige allgemeine Regeln in arbeitsmedizinischen und sicherheitstechnischen Bereichen sind zu beachten.

Veränderungen an der Maschine schließen eine Haftung des Herstellers und daraus entstehende Schäden gänzlich aus. Trotz bestimmungsgemäßer Verwendung können bestimmte Restrisikofaktoren nicht vollständig ausgeräumt werden. Bedingt durch Konstruktion und Aufbau der Maschine können folgende Punkte auftreten:

- Berührung des Sägeblattes im nicht abgedeckten Sägebereich.
- Eingreifen in das laufende Sägeblatt (Schnittverletzung)
- Rückschlag von Werkstücken und Werkstückteilen.
- Sägeblattbrüche.
- Herausschleudern von fehlerhaften Hartmetallteilen des Sägeblattes.
- Gehörschäden bei Nichtverwendung des nötigen Gehörschutzes.
- Gesundheitsschädliche Emissionen von Holzstäuben bei Verwendung in geschlossenen Räumen.
- Das Produkt erfüllt die Anforderungen der EN 61000-3-11 und unterliegt Sonderanschlussbedingungen. Das heißt, dass eine Verwendung an beliebigen frei wählbaren Anschlusspunkten nicht zulässig ist.
- Das Gerät kann bei ungünstigen Netzverhältnissen zu vorübergehenden Spannungsschwankungen führen.
- Das Produkt ist ausschließlich zur Verwendung an Anschlusspunkten vorgesehen, die eine Dauerstrombelastbarkeit des Netzes von mindestens 100 A je Phase haben.

- Sie müssen als Benutzer sicherstellen, wenn nötig in Rücksprache mit Ihrem Energieversorgungsunternehmen, dass Ihr Anschlusspunkt, an dem Sie das Produkt betreiben möchten, die genannte Anforderung erfüllt.

## 6. Technische Daten

Wechselstrommotor:	230V ~ 50Hz
Leistung:	1700 Watt
Betriebsart:	S1
Leerlaufdrehzahl $n_0$ :	4800 min <sup>-1</sup>
Hartmetallsägeblatt:	∅ 210 x ∅ 30 x 2,8 mm
Anzahl der Zähne:	24
Schwenkbereich:	-45° / 0° / +45°
Gehrungsschnitt:	0° bis 45° nach links
Sägebreite bei 90°:	205 x 65 mm
Sägebreite bei 45°:	140 x 65 mm
Sägebreite bei 2 x 45° (Doppelgehrungsschnitt):	140 x 40 mm
Schutzklasse:	II / 
Gewicht:	ca. 15 kg
Laserklasse:	2
Wellenlänge Laser:	650 nm
Leistung Laser:	≤ 1mW
Stromversorgung Lasermodul:	2 x 1,5 V Micro (AAA)

### Geräuschemissionswerte

Das Geräusch dieser Säge wurde entsprechend EN 61029 ermittelt.

	Leerlauf
Schalldruckpegel $L_{pA}$	86 dB
Unsicherheit $K_{pA}$	3 dB
Schalleistungspegel $L_{WA}$	99 dB
Unsicherheit $K_{WA}$	3 dB

Schwingungsgesamtwerte (Vektorsumme dreier Richtungen) ermittelt entsprechend EN 61029.

DE/AT/  
CH

Schwingungsemissionswert  $a_n < 2,5 \text{ m/s}^2$   
 Unsicherheit  $K = 1,5 \text{ m/s}^2$

**Warnung!**

Der angegebene Schwingungsemissionswert ist nach einem genormten Prüfverfahren gemessen worden und kann sich, abhängig von der Art und Weise, in der das Elektrowerkzeug verwendet wird, ändern und in Ausnahmefällen über dem angegebenen Wert liegen.

Der angegebene Schwingungsemissionswert kann zum Vergleich eines Elektrowerkzeuges mit einem anderen verwendet werden.

Der angegebene Schwingungsemissionswert kann auch zu einer einleitenden Einschätzung der Beeinträchtigung verwendet werden.

**Beschränken Sie die Geräuschentwicklung und Vibration auf ein Minimum!**

- Verwenden Sie nur einwandfreie Geräte.
- Warten und reinigen Sie das Gerät regelmäßig.
- Passen Sie Ihre Arbeitsweise dem Gerät an.
- Überlasten Sie das Gerät nicht.
- Lassen Sie das Gerät gegebenenfalls überprüfen.
- Schalten Sie das Gerät aus, wenn es nicht benutzt wird.

**7. Vor Inbetriebnahme****7.1 Allgemein**

- Die Maschine muss standsicher aufgestellt werden, d.h. auf einer Werkbank, einem Universaluntergestell o. ä. festschrauben.
- Vor Inbetriebnahme müssen alle Abdeckungen und Sicherheitsvorrichtungen ordnungsgemäß montiert sein.
- Das Sägeblatt muss frei laufen können.
- Bei bereits bearbeitetem Holz auf Fremdkörper wie z.B. Nägel oder Schrauben usw. achten.
- Vor dem Betätigen des Ein- / Ausschalters muss das Sägeblatt richtig montiert sein.

Bewegliche Teile müssen leichtgängig sein.

- Vor dem Anschließen prüfen, ob die Daten auf dem Datenschild mit den Netzdaten übereinstimmen.

**7.2 Säge montieren (Bild 1-2, 4-6)**

- Zum Verstellen des Drehtisches (16) den Feststellgriff (13) ca. 2 Umdrehungen lockern und den Raststellungshebel (12) drücken, um den Drehtisch (16) zu entriegeln (Bild 4).
- Zum Entriegeln der Säge aus der unteren Stellung, den Maschinenkopf (5) leicht nach unten drücken. Gleichzeitig Sicherungsbolzen (25) aus der Motorhalterung ziehen. Sicherungsbolzen (25) um 90° drehen, damit die Säge entriegelt bleibt (Bild 1-2).
- Maschinenkopf (5) nach oben schwenken, bis der Entriegelungshebel (3) einrastet (Bild 1).
- Die Spannvorrichtungen (8) links und/oder rechts am feststehenden Säge Tisch (17) montieren (Bild 1).
- Feststellschrauben für Werkstückauflage (10) lösen (Bild 5).
- Werkstückauflage (9) am feststehenden Säge Tisch (17) montieren, entsprechende Feststellschraube (10) anziehen (Bild 5).
- Die zweite Werkstückauflage (9) auf der gegenüberliegenden Seite der Säge montieren und mit der entsprechenden Feststellschraube (10) sichern.
- Der Maschinenkopf (5) kann durch Lösen der Feststellschraube (23), nach links auf max. 45° geneigt werden (Bild 1-2).
- Den zusätzlichen Standbügel (18) an der Rückseite der Maschine anschrauben! (Bild 6)

**7.3 Feinjustierung des Anschlags für Kappschnitt 90° (Bild 7-8)**

- **Anschlagwinkel nicht im Lieferumfang enthalten.**
- Den Drehtisch (16) auf 0° Stellung fixieren.
- Feststellschraube (23) lockern und mit dem Handgriff (1) den Maschinenkopf (5) ganz nach rechts neigen.

- 90° Anschlagwinkel (z) zwischen Sägeblatt (7) und Drehtisch (16) anlegen.
- Gegenmutter (d) lockern. Justierschraube (90°) (31) soweit verstellen, bis der Winkel zwischen Sägeblatt (7) und Drehtisch (16) 90° beträgt.
- Gegenmutter (d) wieder festziehen, um diese Einstellung zu fixieren.
- Position des Zeigers (21) an der Skala (20) überprüfen. Falls erforderlich, Zeiger (21) mit Kreuzschlitzschraubendreher lösen, auf 0°-Position der Skala (20) stellen und wieder festziehen.

#### 7.4 Feinjustierung des Anschlags für Gehrungsschnitt 45° (Bild 1, 7, 10-11)

- **Anschlagwinkel nicht im Lieferumfang enthalten.**
- Den Drehtisch (16) auf 0° Stellung fixieren.
- Feststellschraube (23) lösen und mit dem Handgriff (1) den Maschinenkopf (5) ganz nach links, auf 45° neigen.
- 45°Anschlagwinkel (y) zwischen Sägeblatt (7) und Drehtisch (16) anlegen.
- Justierschraube (32) soweit verstellen, dass der Winkel zwischen Sägeblatt (7) und Drehtisch (16) genau 45° beträgt.

## 8. Betrieb

### 8.1 Kappschnitt 90° und Drehtisch 0° (Bild 1-3, 12)

**Achtung!** Durch die Rückholfeder schlägt die Maschine automatisch nach oben, d.h. Handgriff (1) nach Schnittende nicht loslassen, sondern Maschinenkopf (5) langsam und unter leichtem Gegendruck nach oben bewegen.

Bei Schnittbreiten bis ca. 100 mm kann die Zugfunktion der Säge mit der Feststellschraube für Zugführung (24) in der hinteren Position fixiert werden. Wenn die Schnittbreite über 100 mm liegt, muss darauf geachtet werden, dass die Feststellschraube für Zugführung (24) locker und der Maschinenkopf (5) beweglich ist.

**Achtung!** Die verschiebbare Anschlagschiene (29) muss für 90° - Kappschnitte in der inneren

Position fixiert werden.

- Öffnen Sie den Feststellhebel (30) der verschiebbaren Anschlagschiene und schieben sie die verschiebbare Anschlagschiene nach innen.
- Die verschiebbare Anschlagschiene (29) muss soweit vor der innersten Position arretiert werden, dass der Abstand zwischen Anschlagschiene (29) und Sägeblatt (7) maximal 5mm beträgt.
- Prüfen Sie vor dem Schnitt, dass zwischen der Anschlagschiene (29) und dem Sägeblatt (7) keine Kollision möglich ist.
- Feststellhebel (30) wieder anziehen.
- Maschinenkopf (5) in die obere Position bringen.
- Maschinenkopf (5) am Handgriff (1) nach hinten schieben und gegebenenfalls in dieser Position fixieren. (je nach Schnittbreite)
- Das zu schneidende Holz an die Anschlagschiene (19) und auf den Drehtisch (16) legen.
- Das Material mit der Spannvorrichtung (8) auf dem feststehenden Säge Tisch (17) feststellen, um ein Verschieben während des Schneidvorgangs zu verhindern.
- Entriegelungshebel (3) drücken um den Maschinenkopf (5) freizugeben.
- Ein-/ Ausschalter (2) drücken, um den Motor einzuschalten.
- Bei fixierter Zugführung (26): Maschinenkopf (5) mit dem Handgriff (1) gleichmäßig und mit leichtem Druck nach unten bewegen, bis das Sägeblatt (7) das Werkstück durchschnitten hat.
- Bei nicht fixierter Zugführung (26): Maschinenkopf (5) nach ganz vorne ziehen. Den Handgriff (1) gleichmäßig und mit leichtem Druck ganz nach unten absenken. Nun Maschinenkopf (5) langsam und gleichmäßig ganz nach hinten schieben, bis das Sägeblatt (7) das Werkstück vollständig durchschnitten hat.
- Nach Beendigung des Sägevorgangs Maschinenkopf (5) wieder in die obere Ruhestellung bringen und Ein-/ Ausschalter (2) loslassen.

DE/AT/  
CH

## 8.2 Kappschnitt 90° und Drehtisch 0°- 45° (Bild 1-3, 13)

Mit der Kappsäge können Kappschnitte von 0° - 45° nach links und 0° - 45° nach rechts zur Anschlagsschiene ausgeführt werden.

**Achtung!** Die verschiebbare Anschlagsschiene (29) muss für 90° - Kappschnitte in der inneren Position fixiert werden.

- Öffnen Sie den Feststellhebel (30) der verschiebbaren Anschlagsschiene und schieben sie die verschiebbare Anschlagsschiene nach innen.
- Die verschiebbare Anschlagsschiene (29) muss soweit vor der innersten Position arretiert werden, dass der Abstand zwischen Anschlagsschiene (29) und Sägeblatt (7) maximal 5mm beträgt.
- Prüfen Sie vor dem Schnitt, dass zwischen der Anschlagsschiene (29) und dem Sägeblatt (7) keine Kollision möglich ist.
- Feststellhebel (30) wieder anziehen.
- Den Drehtisch (16) durch Lockern des Feststellgriffes (13) lösen.
- Raststellungshebel (12) drücken. Drehtisch (16) und Zeiger (14) auf das gewünschte Winkelmaß der Skala (15) drehen und mit dem Feststellgriff (13) fixieren. Die Säge besitzt Raststellungen bei den Positionen - 45°, -30°, -22,5°, -15°, 0°, 15°, 22,5°, 30° und 45°, an denen man den Raststellungshebel (12) einrasten lassen kann.
- Schnitt wie unter Punkt 8.1 beschrieben ausführen.

## 8.3 Gehrungsschnitt 0°- 45° und Drehtisch 0° (Bild 1-3, 14)

Mit der Kappsäge können Gehrungsschnitte nach links von 0° - 45° zur Arbeitsfläche ausgeführt werden.

**Achtung!** Die verschiebbare Anschlagsschiene (29) muss für Gehrungsschnitte (geneigter Sägekopf) in der äußeren Position fixiert werden.

- Öffnen Sie den Feststellhebel (30) der verschiebbaren Anschlagsschiene und schieben sie die verschiebbare Anschlagsschiene nach außen.
- Die verschiebbare Anschlagsschiene (29) muss soweit vor der innersten Position arretiert werden, dass der Abstand

zwischen Anschlagsschiene (29) und Sägeblatt (7) maximal 5mm beträgt.

- Prüfen Sie vor dem Schnitt, dass zwischen der Anschlagsschiene (29) und dem Sägeblatt (7) keine Kollision möglich ist.
- Feststellhebel (30) wieder anziehen.
- Spannvorrichtung (8) gegebenenfalls demontieren oder auf der gegenüberliegenden Seite des feststehenden Sägetisches (17) montieren.
- Maschinenkopf (5) in die obere Stellung bringen.
- Den Drehtisch (16) auf 0° Stellung fixieren.
- Die Feststellschraube (23) lösen. Mit dem Handgriff (1) den Maschinenkopf (5) nach links neigen, bis der Zeiger (21) auf das gewünschte Maß auf der Skala (20) zeigt.
- Feststellschraube (23) wieder festziehen.
- Maschinenkopf (5) am Handgriff (1) nach hinten schieben und gegebenenfalls in dieser Position fixieren. (je nach Schnittbreite)
- Das zu schneidende Holz an die Anschlagsschiene (19) und auf den Drehtisch (16) legen.
- Das Material mit der Spannvorrichtung (8) auf dem feststehenden Sägetisch (17) feststellen, um ein Verschieben während des Schneidvorgangs zu verhindern.
- Entriegelungshebel (3) drücken um den Maschinenkopf (5) freizugeben.
- Ein-/ Ausschalter (2) drücken, um den Motor einzuschalten.
- Bei fixierter Zugführung (26): Maschinenkopf (5) mit dem Handgriff (1) gleichmäßig und mit leichtem Druck nach unten bewegen, bis das Sägeblatt (7) das Werkstück durchschnitten hat.
- Bei nicht fixierter Zugführung (26): Maschinenkopf (5) nach ganz vorne ziehen. Den Handgriff (1) gleichmäßig und mit leichtem Druck ganz nach unten absenken. Nun Maschinenkopf (5) langsam und gleichmäßig ganz nach hinten schieben, bis das Sägeblatt (7) das Werkstück vollständig durchschnitten hat.
- Nach Beendigung des Sägevorgangs Maschinenkopf (5) wieder in die obere Ruhestellung bringen und Ein-/ Ausschalter (2) loslassen.

#### 8.4 Gehrungsschnitt 0°- 45° und Drehtisch 0°- 45° (Bild 1–3, 15)

Mit der Kappsäge können Gehrungsschnitte nach links von 0°- 45° zur Arbeitsfläche und gleichzeitig 0°- 45° nach links bzw. 0° - 45° nach rechts zur Anschlagsschiene ausgeführt werden (Doppelgehrungsschnitt).

**Achtung!** Die verschiebbare Anschlagsschiene (29) muss für Gehrungsschnitte (geneigter Sägekopf) in der äußeren Position fixiert werden.

- Öffnen Sie den Feststellhebel (30) der verschiebbaren Anschlagsschiene und schieben sie die verschiebbare Anschlagsschiene nach außen.
- Die verschiebbare Anschlagsschiene (29) muss soweit vor der innersten Position arretiert werden, dass der Abstand zwischen Anschlagsschiene (29) und Sägeblatt (7) maximal 5mm beträgt.
- Prüfen Sie vor dem Schnitt, dass zwischen der Anschlagsschiene (29) und dem Sägeblatt (7) keine Kollision möglich ist.
- Feststellhebel (30) wieder anziehen.
- Spannvorrichtung (8) gegebenenfalls demontieren oder auf der gegenüberliegenden Seite des feststehenden Sägetisches (17) montieren.
- Maschinenkopf (5) in die obere Stellung bringen.
- Den Drehtisch (16) durch Lockern des Feststellgriffes (13) lösen.
- Raststellungshebel (12) drücken. Drehtisch (16) und Zeiger (14) auf das gewünschte Winkelmaß der Skala (15) drehen und mit dem Feststellgriff (13) fixieren.
- Die Feststellschraube (23) lösen und mit dem Handgriff (1) den Maschinenkopf (5) nach links, auf das gewünschte Winkelmaß neigen (siehe hierzu auch Punkt 8.3).
- Feststellschraube (23) wieder festziehen.
- Schnitt wie unter Punkt 8.3 beschrieben ausführen.

#### 8.5 Schnittiefenbegrenzung (Bild 16)

- Mittels der Schraube (27) kann die Schnitttiefe stufenlos eingestellt werden. Hierzu Rändelmutter an der Schraube (27) lösen. Den Anschlag für die Schnittiefenbegrenzung (28) nach außen

stellen. Die gewünschte Schnitttiefe durch Eindrehen oder Herausdrehen der Schraube (27) einstellen. Anschließend die Rändelmutter wieder an der Schraube (27) festziehen.

- Überprüfen Sie die Einstellung anhand eines Probeschnittes.

#### 8.6 Spänefangsack (Bild 2)

Die Säge ist mit einem Spänefangsack (22) ausgestattet.

Der Spänesack (22) kann über den Reißverschluss auf der Unterseite entleert werden.

#### 8.7 Austausch des Sägeblatts (Bild 1, 17-20)

**Netzstecker ziehen!**

**Achtung!**

**Tragen Sie zum Wechseln des Sägeblatts Schutzhandschuhe! Verletzungsgefahr!**

- Den Maschinenkopf (5) nach oben schwenken. Durch den Sicherungsbolzen (25) in dieser Position arretieren.
- Entriegelungshebel (3) drücken. Sägeblattschutz (6) so weit nach oben klappen, dass die Aussparung im Sägeblattschutz (6) über der Flanschscharbe (33) ist.
- Mit einer Hand die Sägewellensperre (4) drücken. Mit der anderen Hand Schraubenschlüssel (c) auf die Flanschscharbe (33) setzen.
- Sägewellensperre (4) fest drücken und Flanschscharbe (33) langsam im Uhrzeigersinn drehen. Nach max. einer Umdrehung rastet die Sägewellensperre (4) ein.
- Jetzt mit etwas mehr Kraftaufwand Flanschscharbe (33) im Uhrzeigersinn lösen.
- Flanschscharbe (33) ganz heraus drehen und Außenflansch (34) abnehmen.
- Das Sägeblatt (7) vom Innenflansch (40) abnehmen und nach unten herausziehen.
- Flanschscharbe (33), Außenflansch (34) und Innenflansch (40) sorgfältig reinigen.
- Das neue Sägeblatt (7) in umgekehrter Reihenfolge wieder einsetzen und festziehen.

DE/AT/  
CH

- **Achtung!** Die Schnittschräge der Zähne d.h. die Drehrichtung des Sägeblattes (7), muss mit der Richtung des Pfeils auf dem Gehäuse übereinstimmen.
- Vor dem Weiterarbeiten die Funktionsfähigkeit der Schutzeinrichtungen prüfen.
- **Achtung!** Nach jedem Sägeblattwechsel prüfen, ob das Sägeblatt (7) in senkrechter Stellung sowie auf 45° gekippt, frei in der Tischeinlage (11) läuft.
- **Achtung!** Das Wechseln und Ausrichten des Sägeblattes (7) muss ordnungsgemäß ausgeführt werden.

### 8.8 Transport (Abb. 1-3)

- Feststellgriff (13) festziehen, um den Drehtisch (16) zu verriegeln
- Entriegelungshebel (3) betätigen, Maschinenkopf (5) nach unten drücken und mit Sicherungsbolzen (25) arretieren. Die Säge ist nun in der unteren Stellung verriegelt.
- Zugfunktion der Säge mit der Feststellschraube für Zugführung (24) in der hinteren Position fixieren.
- Maschine am feststehenden Sägetisch (17) tragen.
- Zum erneuten Aufbau der Maschine, wie unter 7.2 beschrieben vorgehen.

### 8.9 Betrieb Laser (Bild 21–23/Pos. 35)

- **Einschalten:** Ein- / Ausschalter Laser (36) in Stellung „1“ bewegen. Auf das zu bearbeitende Werkstück wird eine Laserlinie projiziert, die die genaue Schnittführung anzeigt.
- **Ausschalten:** Ein- / Ausschalter Laser (36) in Stellung „0“ bewegen.
- **Einstellung des Lasers:** Der Laser ist ab Werk mit der Schraube (39) justiert und eingeklebt. Eine weitere Justierung des Lasers im Betrieb ist nicht notwendig. Achtung! Nicht in den Laserstrahl blicken
- **Batteriewechsel:** Laser (35) abschalten. Batteriefachdeckel (38) entfernen. Batterien entfernen und durch neue (2 x 1,5 Volt Typ R03, LR 03 Micro, AAA) ersetzen. Beim einsetzen der Batterien auf die richtige Polung achten. Batteriefach (37) wieder

schließen.

## 9. Austausch der Netzanschlussleitung

Wenn die Netzanschlussleitung dieses Gerätes beschädigt wird, muss sie durch den Hersteller oder seinen Kundendienst oder eine ähnlich qualifizierte Person ersetzt werden, um Gefährdungen zu vermeiden.

## 10. Reinigung, Wartung und Ersatzteilbestellung

Ziehen Sie vor allen Reinigungsarbeiten den Netzstecker.

### 10.1 Reinigung

- Halten Sie Schutzvorrichtungen, Luftschlitze und Motorengehäuse so staub- und schmutzfrei wie möglich. Reiben Sie das Gerät mit einem sauberen Tuch ab oder blasen Sie es mit Druckluft bei niedrigem Druck aus.
- Wir empfehlen, dass Sie das Gerät direkt nach jeder Benutzung reinigen.
- Reinigen Sie das Gerät regelmäßig mit einem feuchten Tuch und etwas Schmierseife. Verwenden Sie keine Reinigungs- oder Lösungsmittel; diese könnten die Kunststoffteile des Gerätes angreifen. Achten Sie darauf, dass kein Wasser in das Geräteinnere gelangen kann.

### 10.2 Kohlebürsten

Bei übermäßiger Funkenbildung lassen Sie die Kohlebürsten durch eine Elektrofachkraft überprüfen. Achtung! Die Kohlebürsten dürfen nur von einer Elektrofachkraft ausgewechselt werden.

### 10.3 Wartung

Im Geräteinneren befinden sich keine zu wartenden Teile.



#### 10.4 Ersatzteilbestellung:

Bei der Ersatzteilbestellung sollten folgende Angaben gemacht werden;

- Typ des Gerätes
- Artikelnummer des Gerätes
- Ident-Nummer des Gerätes

Aktuelle Preise und Infos finden Sie unter [www.isc-gmbh.info](http://www.isc-gmbh.info)



Nur für EU-Länder

Werfen Sie Elektrowerkzeuge nicht in den Hausmüll!

Gemäß europäischer Richtlinie 2002/96/EG über Elektro- und Elektronik-Altgeräte und Umsetzung in nationales Recht müssen verbrauchte Elektrowerkzeuge getrennt gesammelt werden und einer umweltgerechten Wiederverwertung zugeführt werden.

## 11. Entsorgung und Wiederverwertung

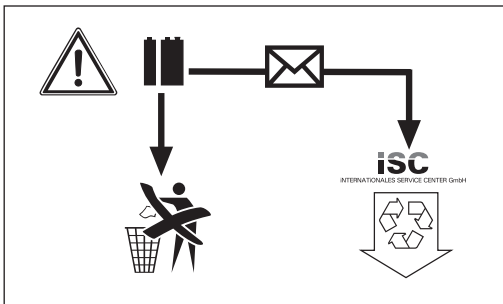
Das Gerät befindet sich in einer Verpackung um Transportschäden zu verhindern. Diese Verpackung ist Rohstoff und ist somit wieder verwendbar oder kann dem Rohstoffkreislauf zurückgeführt werden. Das Gerät und dessen Zubehör bestehen aus verschiedenen Materialien, wie z.B. Metall und Kunststoffe. Führen Sie defekte Bauteile der Sondermüllentsorgung zu. Fragen Sie im Fachgeschäft oder in der Gemeindeverwaltung nach!

Recycling-Alternative zur  
Rücksendeaufforderung:

Der Eigentümer des Elektrogerätes ist alternativ anstelle Rücksendung zur Mitwirkung bei der sachgerechten Verwertung im Falle der Eigentumsaufgabe verpflichtet. Das Altgerät kann hierfür auch einer Rücknahmestelle überlassen werden, die eine Beseitigung im Sinne der nationalen Kreislaufwirtschafts- und Abfallgesetze durchführt. Nicht betroffen sind den Altgeräten beigelegte Zubehörteile und Hilfsmittel ohne Elektrobestandteile.

#### Entsorgung der Batterien

Batterien beinhalten umweltgefährdende Materialien. Werfen Sie Batterien nicht in den Hausmüll, ins Feuer oder ins Wasser. Batterien sollen gesammelt, recycelt oder umweltfreundlich entsorgt werden. Senden Sie verbrauchte Batterien an die iSC GmbH, Eschenstraße 6 in D-94405 Landau. Dort wird vom Hersteller eine fachgerechte Entsorgung gewährleistet.



DE/AT/  
CH

## 12. Konformitätserklärung

Einhell Germany AG · Wiesenweg 22 · D-94405 Landau/Isar



## Konformitätserklärung

- (C)** erklärt folgende Konformität gemäß EU-Richtlinie und Normen für Artikel
- (EN)** explains the following conformity according to EU directives and norms for the following product
- (F)** déclare la conformité suivante selon la directive CE et les normes concernant l'article
- (I)** dichiara la seguente conformità secondo la direttiva UE e le norme per l'articolo
- (NL)** verklaart de volgende overeenstemming conform EU richtlijn en normen voor het product
- (E)** declara la siguiente conformidad a tenor de la directiva y normas de la UE para el artículo
- (P)** declara a seguinte conformidade, de acordo com a directiva CE e normas para o artigo
- (DK)** atterer følgende overensstemmelse i medfør af EU-direktiv samt standarder for artikel
- (S)** förklarar följande överensstämmelse enl. EU-direktiv och standarder för artikeln
- (FIN)** vakuuttaa, että tuote täyttää EU-direktiivin ja standardien vaatimukset
- (EL)** төэндab тооте vastavust EL директивиле ja standarditele
- (CZ)** vydává následující prohlášení o shodě podle směrnice EU a norem pro výrobek
- (SK)** potvrduje sledečo skladnost s smernico EU in standardi za izdelek
- (HU)** ydává nasledujúce prehlásenie o zhode podľa smernice EÚ a noriem pre výrobok
- (H)** a cikkekhez az EU-irányvonal és Normák szerint a következő konformitást jelenti ki
- (PL)** deklaruje zgodność wymienionego poniżej artykułu z następującymi normami na podstawie dyrektywy WE.
- (BG)** декларира съответното съответствие съгласно Директива на ЕС и норми за артикул
- (HR)** paskaidro šadu atbilstību ES direktīvai un standartiem
- (LV)** apibūdina šj atitikimą EU reikalavimams ir prekės normoms
- (RO)** declară următoarea conformitate conform directivei UE și normelor pentru articolul
- (GR)** δηλώνει την ακόλουθη συμμόρφωση σύμφωνα με την Οδηγία ΕΚ και τα πρότυπα για το προϊόν
- (SI)** potrđuje sljedeću usklađenost prema smjernicama EU i normama za artikl  
Izjava o sukladnosti za ovaj proizvod dostupna je na internet stranici www.lidl.hr.
- (MT)** potrđuje sljedeću usklađenost prema smjernicama EU i normama za artikl
- (CY)** potrđuje sledeću usklađenost prema smernicama EZ i normama za artikl
- (SL)** sledujočim udostoverjarsja, čto sledujočie produkti sootvetstvujut direktivam i normam EC
- (LT)** prorošuos pro zaznačenu nižče vđповідnđst' vđrobu direktivam ta standartam EC na virđb
- (HU)** Űrűnű ile ilgili AB direktífleri ve normları geređince ařađıda ađıklanan uygunluđu belirtir
- (NO)** erklærer følgende samsvar i henhold til EU-direktivet og standarder for artikkel
- (IS)** Lýsir uppfyllingu EU-reglna og annarra stađa vöru

## Zug-, Kapp- und Gehrungssäge PKS 1700 A1 (Parkside)

- 87/404/EC\_2009/105/EC
- 2005/32/EC\_2009/125/EC
- 2006/95/EC
- 2006/28/EC
- 2004/108/EC
- 2004/22/EC
- 1999/5/EC
- 97/23/EC
- 90/396/EC\_2009/142/EC
- 89/686/EC\_96/58/EC
- 2006/42/EC
- Annex IV  
Notified Body:  
Notified Body No.:  
Reg. No.:
- 2000/14/EC\_2005/88/EC
- Annex V
- Annex VI  
Noise: measured  $L_{WA}$  = dB (A); guaranteed  $L_{WA}$  = dB (A)  
P = KW; L $\varnothing$  = cm  
Notified Body:
- 2004/26/EC  
Emission No.:

Standard references: EN 61029-1; EN 61029-2-9; EN 55014-1;  
EN 55014-2; EN 61000-3-2; EN 61000-3-11; EN 60825-1

Landau/Isar, den 08.09.2010

  
Weichselgartner/General Manager


  
Wentao/Product-Management

First CE: 10  
Art.-No.: 43.006.82 I.-No.: 11010  
Subject to change without notice

Archive-File/Record: 4300685-42-4199908-08  
Documents registrar: Siegfried Roider  
Wiesenweg 22, D-94405 Landau/Isar

# 13. GARANTIEURKUNDE

**Sehr geehrte Kundin, sehr geehrter Kunde,**

unsere Produkte unterliegen einer strengen Qualitätskontrolle. Sollte dieses Gerät dennoch einmal nicht einwandfrei funktionieren, bedauern wir dies sehr und bitten Sie, sich an unseren Servicedienst unter der auf dieser Garantiekarte angegebenen Adresse zu wenden. Gern stehen wir Ihnen auch telefonisch über die unten angegebene Servicrufnummer zur Verfügung. Für die Geltendmachung von Garantieansprüchen gilt Folgendes:

1. Diese Garantiebedingungen regeln zusätzliche Garantieleistungen. Ihre gesetzlichen Gewährleistungsansprüche werden von dieser Garantie nicht berührt. Unsere Garantieleistung ist für Sie kostenlos.
2. Die Garantieleistung erstreckt sich ausschließlich auf Mängel, die auf Material- oder Herstellungsfehler zurückzuführen sind und ist auf die Behebung dieser Mängel bzw. den Austausch des Gerätes beschränkt. Bitte beachten Sie, dass unsere Geräte bestimmungsgemäß nicht für den gewerblichen, handwerklichen oder industriellen Einsatz konstruiert wurden. Ein Garantievertrag kommt daher nicht zustande, wenn das Gerät in Gewerbe-, Handwerks- oder Industriebetrieben sowie bei gleichzusetzenden Tätigkeiten eingesetzt wird.  
Von unserer Garantie sind ferner Ersatzleistungen für Transportschäden, Schäden durch Nichtbeachtung der Montageanleitung oder aufgrund nicht fachgerechter Installation, Nichtbeachtung der Gebrauchsanleitung (wie durch z.B. Anschluss an eine falsche Netzspannung oder Stromart), missbräuchliche oder unsachgemäße Anwendungen (wie z.B. Überlastung des Gerätes oder Verwendung von nicht zugelassenen Einsatzwerkzeugen oder Zubehör), Nichtbeachtung der Wartungs- und Sicherheitsbestimmungen, Eindringen von Fremdkörpern in das Gerät (wie z.B. Sand, Steine oder Staub), Gewaltanwendung oder Fremdeinwirkungen (wie z. B. Schäden durch Herunterfallen) sowie durch verwendungsgemäßen, üblichen Verschleiß ausgeschlossen. Dies gilt insbesondere für Akkus, auf die wir dennoch eine Garantiezeit von 12 Monaten gewähren  
Der Garantieanspruch erlischt, wenn an dem Gerät bereits Eingriffe vorgenommen wurden.
3. Die Garantiezeit beträgt 3 Jahre und beginnt mit dem Kaufdatum des Gerätes. Garantieansprüche sind vor Ablauf der Garantiezeit innerhalb von zwei Wochen, nachdem Sie den Defekt erkannt haben, geltend zu machen. Die Geltendmachung von Garantieansprüchen nach Ablauf der Garantiezeit ist ausgeschlossen. Die Reparatur oder der Austausch des Gerätes führt weder zu einer Verlängerung der Garantiezeit noch wird eine neue Garantiezeit durch diese Leistung für das Gerät oder für etwaige eingebaute Ersatzteile in Gang gesetzt. Dies gilt auch bei Einsatz eines Vor-Ort-Services.
4. Für die Geltendmachung Ihres Garantieanspruches übersenden Sie bitte das defekte Gerät portofrei an die unten angegebene Adresse. Fügen Sie den Verkaufsbeleg im Original oder einen sonstigen datierten Kaufnachweis bei. Bitte bewahren Sie deshalb den Kassenbon als Nachweis gut auf! Beschreiben Sie uns bitte den Reklamationsgrund möglichst genau. Ist der Defekt des Gerätes von unserer Garantieleistung erfasst, erhalten Sie umgehend ein repariertes oder neues Gerät zurück.

Selbstverständlich beheben wir gegen Erstattung der Kosten auch gerne Defekte am Gerät, die vom Garantiefumfang nicht oder nicht mehr erfasst sind. Dazu senden Sie das Gerät bitte an unsere Serviceadresse.



IAN: 61370 PKS 1700 A1

**Einhell Germany AG**

Wiesenweg 22

D-94405 Landau/Isar

Last Information Update · Stanje informacija

Έκδοση των πληροφοριών · Stand der Informationen:

12/2010 Ident.-No.: 43.006.82 122010 - 7

