

Original instructions

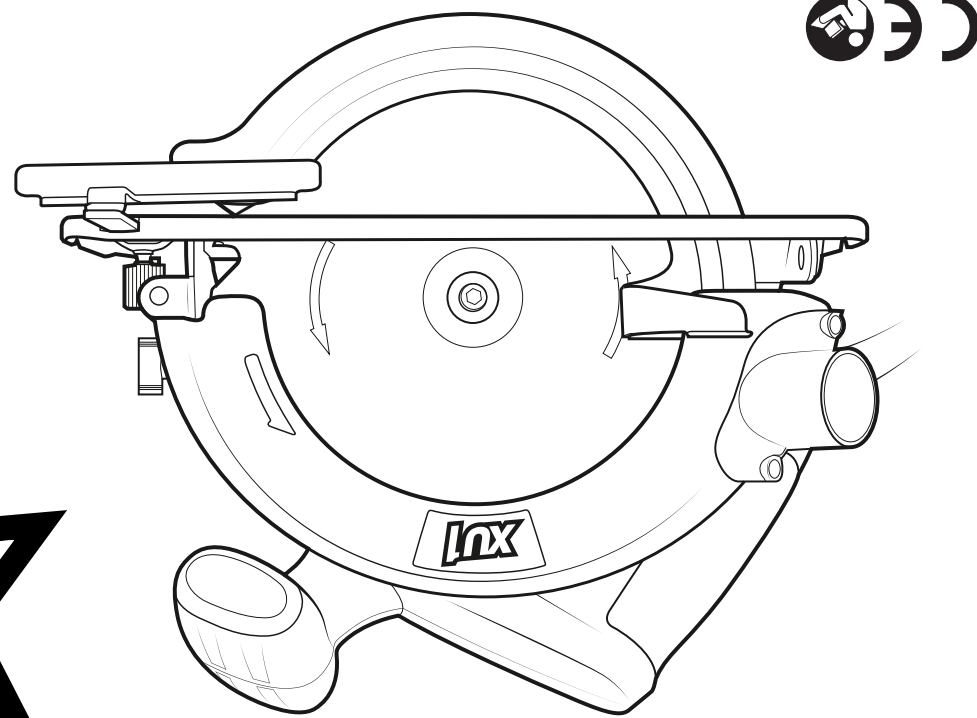
XCS-1200U

REPLACEMENT WARRANTY
12 MONTHS HOME USE

185mm

MCS
Circular Saw

INOX



ISC GmbH · Eschenstraße 6 · D-94405 Landau/Isar

EU

explains the following conformity according to EU directives and norms for the following product

Circular Saw XCS-1200U (XU1)

- | | |
|---|--|
| <input type="checkbox"/> 2014/29/EU | <input checked="" type="checkbox"/> 2006/42/EC |
| <input type="checkbox"/> 2005/32/EC_2009/125/EC | <input type="checkbox"/> Annex IV
Notified Body:
Notified Body No.:
Reg. No.: |
| <input type="checkbox"/> 2014/35/EU | |
| <input type="checkbox"/> 2006/28/EC | <input type="checkbox"/> 2000/14/EC_2005/88/EC |
| <input checked="" type="checkbox"/> 2014/30/EU | <input type="checkbox"/> Annex V |
| <input type="checkbox"/> 2014/32/EU | <input type="checkbox"/> Annex VI
Noise: measured L_{WA} = dB (A); guaranteed L_{WA} = dB (A)
P = KW; L/Ø = cm |
| <input type="checkbox"/> 2014/53/EC | |
| <input type="checkbox"/> 2014/68/EU | <input type="checkbox"/> 2012/46/EU
Emission No.: |
| <input type="checkbox"/> 90/396/EC_2009/142/EC | |
| <input type="checkbox"/> 89/686/EC_96/58/EC | |
| <input checked="" type="checkbox"/> 2011/65/EU | |

Standard references: EN 60745-1; EN 60745-2-5;
EN 55014-1; EN 55014-2; EN 61000-3-2; EN 61000-3-3

Landau/Isar, den 29.09.2017

Weichselgartner/General-Manager

Yang/Product-Management

First CE: 17
Art.-No.: 30.001.27 I.-No.: 11017
Subject to change without notice

Archive-File/Record: NAPR017010
Documents registrar: Alex Kurz
Wiesenweg 22, D-94405 Landau/Isar

XU1 Power tools

Telephone: GB: 0151 294 4488 / IRL: 1850 882711

SAFETY INSTRUCTIONS

ALWAYS WEAR EYE, FACE AND EAR PROTECTION

When operating the tool

Keep the mains cable away from any moving parts or accessories.

Never cover the ventilation slots in the tool.

Electrical safety

Before you connect the charger to the mains supply make sure that the data on the rating plate are identical to the mains data.

This tool is double insulated; therefore no earth wire is required.

Using an extension lead

Always use an approved extension lead suitable for the power input of this tool. Before use, inspect the extension lead for signs of damage, wear and ageing. Replace the extension lead if damaged or defective.

When using an extension lead on a reel, always unwind the lead completely. Use of an extension lead not suitable for the power input of the tool or which is damaged or defective may result in a risk of fire and electric shock.

The power supply for this product should be protected by a residual current device (rated at 30mA or less). A residual current device reduces the risk of electric shock.

If the supply cord of this power tool is damaged, it must be replaced by a specially prepared supply cord available through the service organization.

Description of symbols



Danger! - Read the operating instructions to reduce the risk of injury



Caution! Wear ear-muffs. The impact of noise can cause damage to hearing.



Caution! Wear a breathing mask. Dust which is injurious to health can be generated when working on wood and other materials. Never use the device to work on any materials containing asbestos!



Wear eye protection



Double insulated (Protection Class II)

General Power Tool Safety Warnings



WARNING! Read all safety warnings and all instructions. Failure to follow the warnings and instructions may result in electric shock, fire and/or serious injury. Save all warnings and instructions for future reference. The term "power tool" in all of the warnings refers to your mains-operated (corded) power tool or battery-operated (cordless) power tool.

1. Work area safety

- Keep work area clean and well lit.** Cluttered or dark areas invite accidents.
- Do not operate power tools in explosive atmospheres, such as in the presence of flammable liquids, gases or dust.** Power tools create sparks which may ignite the dust or fumes.
- Keep children and bystanders away while operating a power tool.** Distractions can cause you to lose control.

2. Electrical safety

- Power tool plugs must match the outlet. Never modify the plug in any way. Do not use any adapter plugs with earthed (grounded) power tools.** Unmodified plugs and matching outlets will reduce risk of electric shock.
- Avoid body contact with earthed or grounded surfaces, such as pipes, radiators, ranges and refrigerators.** There is an increased risk of electric shock if your body is earthed or grounded.
- Do not expose power tools to rain or wet conditions.** Water entering a power tool will increase the risk of electric shock.
- Do not abuse the cord. Never use the cord for carrying, pulling or unplugging the power tool. Keep cord away from heat, oil, sharp edges or moving parts.** Damaged or entangled cords increase the risk of electric shock.
- When operating a power tool outdoors, use an extension cord suitable for outdoor use.** Use of a cord suitable for outdoor use reduces the risk of electric shock.
- If operating a power tool in a damp location is unavoidable, use a residual current device (RCD) protected supply.** Use of an RCD reduces the risk of electric shock.

3. Personal safety

- Stay alert, watch what you are doing and use common sense when operating a power tool. Do not use a power tool while you are tired or under the influence of drugs, alcohol or medication.** A moment of inattention while operating power tools may result in serious personal injury.
- Use personal protective equipment. Always wear eye protection.** Protective equipment such as dust mask, non-skid safety shoes, hard hat, or hearing protection used for appropriate conditions will reduce personal injuries.
- Prevent unintentional starting. Ensure the switch is in the off-position before connecting to power source and/or battery pack, picking up or carrying the tool.** Carrying power tools with your finger on the switch or energising power tools that have the switch on invites accidents.
- Remove any adjusting key or wrench before turning the power tool on.** A wrench or a key left attached to a rotating part of the power tool may result in personal injury.
- Do not overreach. Keep proper footing and balance at all times.** This enables better control of the power tool in unexpected situations.

- Dress properly. Do not wear loose clothing or jewellery. Keep your hair, clothing and gloves away from moving parts.** Loose clothes, jewellery or long hair can be caught in moving parts.
- If devices are provided for the connection of dust extraction and collection facilities, ensure these are connected and properly used.** Use of dust collection can reduce dust-related hazards.
- Do not let familiarity gained from frequent use of tools allow you to become complacent and ignore tool safety principles.** A careless action can cause severe injury within a fraction of a second.

4. Power tool use and care

- Do not force the power tool. Use the correct power tool for your application.** The correct power tool will do the job better and safer at the rate for which it was designed.
- Do not use the power tool if the switch does not turn it on and off.** Any power tool that cannot be controlled with the switch is dangerous and must be repaired.
- Disconnect the plug from the power source and/or remove the battery pack, if detachable, from the power tool before making any adjustments, changing accessories, or storing power tools.** Such preventive safety measures reduce the risk of starting the power tool accidentally.
- Store idle power tools out of the reach of children and do not allow persons unfamiliar with the power tool or these instructions to operate the power tool.** Power tools are dangerous in the hands of untrained users.
- Maintain power tools and accessories. Check for misalignment or binding of moving parts, breakage of parts and any other condition that may affect the power tool's operation. If damaged, have the power tool repaired before use.** Many accidents are caused by poorly maintained power tools.
- Keep cutting tools sharp and clean.** Properly maintained cutting tools with sharp cutting edges are less likely to bind and are easier to control.
- Use the power tool, accessories and tool bits etc. in accordance with these instructions, taking into account the working conditions and the work to be performed.** Use of the power tool for operations different from those intended could result in a hazardous situation.
- Keep handles and grasping surfaces dry, clean and free from oil and grease.** Slippery handles and grasping surfaces do not allow for safe handling and control of the tool in unexpected situations.

5. Service

- Have your power tool serviced by a qualified repair person using only identical replacement parts.** This will ensure that the safety of the power tool is maintained.

Additional Safety Instructions for Circular Saws

Safety instructions for all saws
Cutting procedures:

WARNING!

- Keep hands away from cutting area and the blade. Keep your second hand on auxiliary handle, or motor housing.** If both hands are holding the saw, they cannot be cut by the blade.
- Do not reach underneath the workpiece.** The guard cannot protect you from the blade below the workpiece.
- Adjust the cutting depth to the thickness of the workpiece.** Less than a full tooth of the blade teeth should be visible below the workpiece.

- Never hold piece being cut in your hands or across your leg. Secure the workpiece to a stable platform.** It is important to support the work properly to minimize body exposure, blade binding, or loss of control.
- Hold power tool by insulated gripping surfaces when performing an operation where the cutting tool may contact hidden wiring or its own cord.** Contact with a "live" wire will also make exposed metal parts of the power tool "live" and shock the operator.
- When ripping always use a rip fence or straight edge guide.** This improves the accuracy of cut and reduces the chance of blade binding.
- Always use blades with correct size and shape (diamond versus round) of arbour holes.** Blades that do not match the mounting hardware of the saw will run eccentrically, causing loss of control.

h) Never use damaged or incorrect blade washers or bolt. The blade washers and bolt were specially designed for your saw, for optimum performance and safety of operation.
Further safety instructions for all saws Causes and operator prevention of kickback:

- Kickback is a sudden reaction to a pinched, bound or misaligned saw blade, causing an uncontrolled saw to lift up and out of the workpiece toward the operator;
- When the blade is pinched or bound tightly by the kerf closing down, the blade stalls and the motor reaction drives the unit rapidly back toward the operator;
- If the blade becomes twisted or misaligned in the cut, the teeth at the back edge of the blade can dig into the top surface of the wood causing the blade to climb out of the kerf and jump back toward the operator.

Kickback is the result of saw misuse and/or incorrect operating procedures or conditions and can be avoided by taking proper precautions as given below.

- Maintain a firm grip with both hands on the saw and position your arms to resist kickback forces. Position your body to either side of the blade, but not in line with the blade.** Kickback could cause the saw to jump backwards, but kickback forces can be controlled by the operator, if proper precautions are taken.
- When blade is binding, or when interrupting a cut for any reason, release the trigger and hold the saw motionless in the material until the blade comes to a complete stop. Never attempt to remove the saw from the work or pull the saw backward while the blade is in motion or kickback may occur.** Investigate and take corrective actions to eliminate the cause of blade binding.
- When restarting a saw in the workpiece, centre the saw blade in the kerf and check that saw teeth are not engaged into the material.** If saw blade is binding, it may walk up or kickback from the workpiece as the saw is restarted.
- Support large panels to minimise the risk of blade pinching and kickback.** Large panels tend to sag under their own weight. Supports must be placed under the panel on both sides, near the line of cut and near the edge of the panel.
- Do not use dull or damaged blades.** Blunt or improperly set blades produce narrow kerf causing excessive friction, blade binding and kickback.
- Blade depth and bevel adjusting locking levers must be tight and secure before making cut.** If blade adjustment shifts while cutting, it may cause binding and kickback.
- Use extra caution when making a "plunge cut" into existing walls or other blind areas.** The protruding blade may cut objects that can cause kickback.

Safety instructions for saws with pendulum guard
Lower guard function:
a) Check lower guard for proper closing

before each use. Do not operate the saw if lower guard does not move freely and close instantly. Never clamp or tie the lower guard into the open position. If saw is accidentally dropped, lower guard may be bent. Raise the lower guard with the retracting handle and make sure it moves freely and does not touch the blade or any other part, in all angles and depths of cut.

b) Check the operation of the lower guard spring. If the guard and the spring are not operating properly, they must be serviced before use. The lower guard may become sluggish due to, gummy deposits, or a build-up of debris.

c) Lower guard may be retracted manually only for special cuts such as "plunge cuts" and "compound cuts." Raise lower guard by retracting handle and as soon as blade enters the material, the lower guard must be released. For all other sawing, the lower guard should operate automatically.

d) Always observe that the lower guard is covering the blade before placing saw down on bench or floor. An unprotected, coasting blade will cause the saw to walk backwards, cutting whatever is in its path. Be aware of the time it takes for the blade to stop after switch is released.

This appliance is not intended for use by persons (including children) with reduced physical, sensory or mental capabilities, or lack of experience and knowledge, unless they have been given supervision or instruction concerning use of the appliance by a person responsible for their safety.

Never hold piece being cut in your hands or across your leg. Secure the workpiece to a stable platform. It is important to support the work properly to minimize body exposure, blade binding, or loss of control.

Young children should be supervised to ensure that they do not play with the appliance.

Do not use the tool with abrasive or masonry/ wet diamond wheels.

Only use blade diameter(s) in accordance with the markings on the tool.

SOUND AND VIBRATION

Danger!
Sound and vibration

Sound and vibration values were measured in accordance with EN 60745.

L_{PA} Sound Pressure Level:	82.70 dB(A)
K_{PA} Uncertainty:	3 dB
L_{WA} Sound Power Level:	93.70 dB(A)
K_{WA} Uncertainty:	3 dB

Wear ear-muffs.

The impact of noise can cause damage to hearing. Total vibration values (vector sum of three directions) determined in accordance with EN 60745.

Handle

Vibration Emission Value $a_{h,v}$:	22.20 m/s ²
K Uncertainty:	1.5 m/s ²

Additional Handle

Vibration Emission Value $a_{h,v}$:	1.27 m/s ²
K Uncertainty:	1.5 m/s ²

The specified vibration value was established in accordance with a standardized testing method. It may change according to how the electric equipment is used and may exceed the specified value in exceptional circumstances.

The specified vibration value can be used to compare the equipment with other electric power tools. The specified vibration value can be used for initial assessment of a harmful effect.

Keep the noise emissions and vibrations to a minimum.

- Only use appliances which are in perfect working order.
- Service and clean the appliance regularly.
- Adapt your working style to suit the appliance.
- Do not overload the appliance.
- Have the appliance serviced whenever necessary.
- Switch the appliance off when it is not in use.
- Wear protective gloves.



For EU countries only

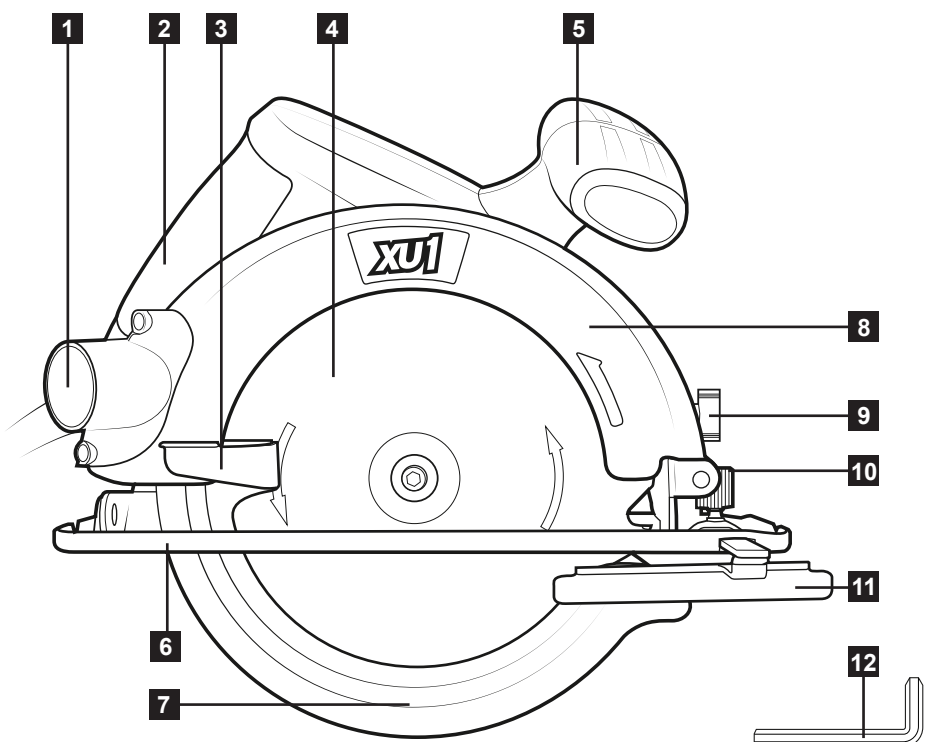
Never place any electric power tools in your household refuse.

To comply with European Directive 2012/19/EC concerning old electric and electronic equipment and its implementation in national laws, old electric power tools have to be separated from other waste and disposed of in an environment-friendly fashion, e.g. by taking to a recycling depot.

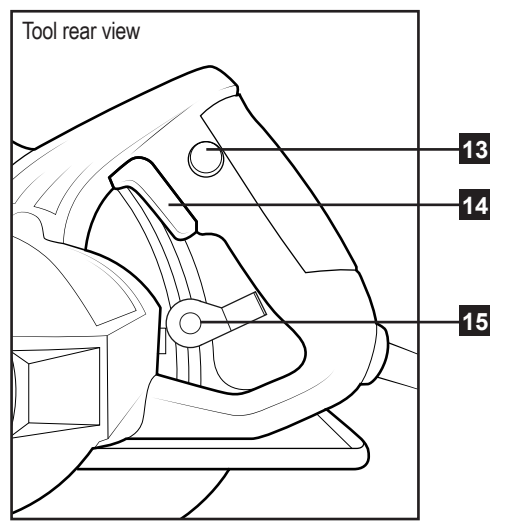
Recycling alternative to the return request:

As an alternative to returning the equipment to the manufacturer, the owner of the electrical equipment must make sure that the equipment is properly disposed of if he no longer wants to keep the equipment. The old equipment can be returned to a suitable collection point that will dispose of the equipment in accordance with the national recycling and waste disposal regulations. This does not apply to any accessories or aids without electrical components supplied with the old equipment.

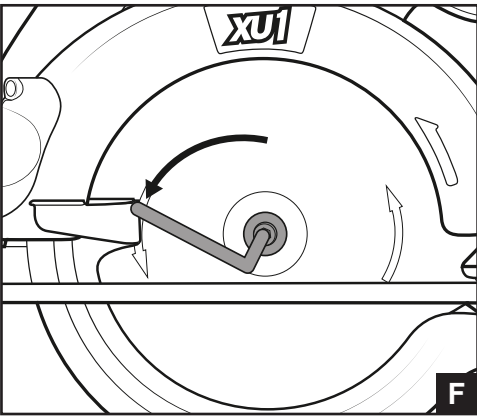
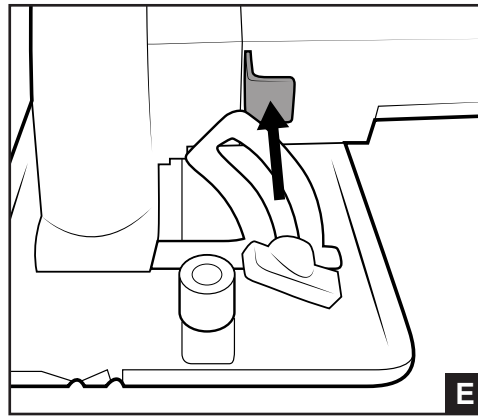
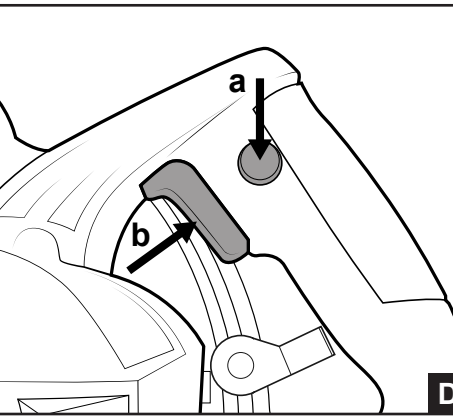
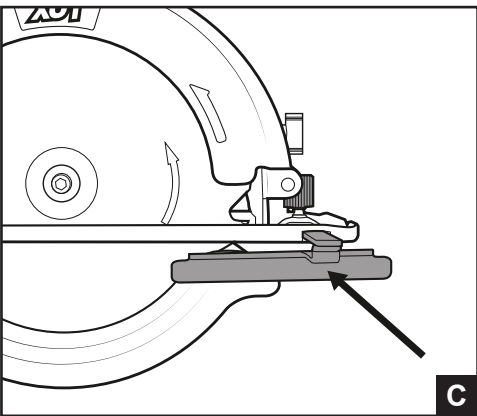
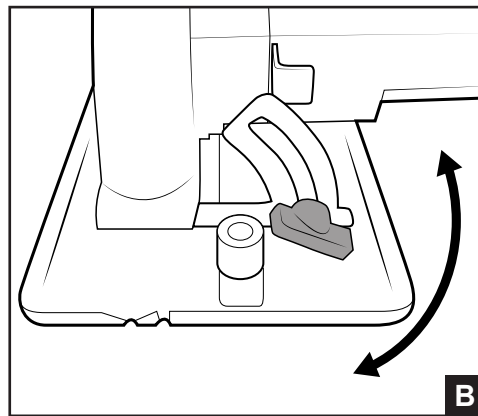
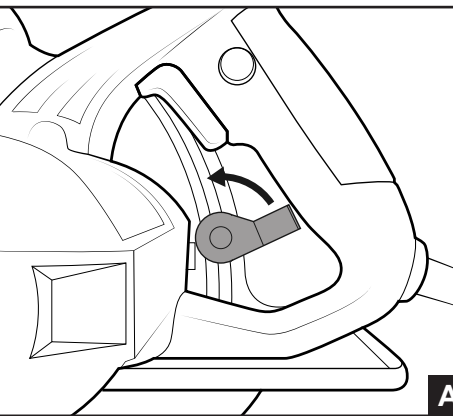
Subject to technical changes



- 1. Dust Extraction Port
- 2. Rear Handle
- 3. Lower Guard Lever
- 4. Cutting Blade (24 Tooth TCT)
- 5. Front Handle
- 6. Metal Base Plate
- 7. Lower Blade Guard
- 8. Upper Guard
- 9. Bevel Adjustment Knob
- 10. Guide Fence Lock Knob
- 11. Guide Fence
- 12. Hex Key



- 13. Lock-Off Button
- 14. On/Off Switch
- 15. Depth Adjustment Locking Lever



SPECIFICATIONS

Motor:	1200W
Input Voltage:	230-240V ~ 50Hz
No Load Speed:	5,500/min
Blade Diameter:	185mm (7 ^{1/4} "
Bevel Adjustment:	0° - 45°
Depth of Cut:	65mm @ 90°
	42mm @ 45°
Blade Bore	20mm
Blade Teeth	24TCT
Protection Class:	II
Weight:	3.60kg

Items Supplied

Please check that the article is complete as specified in the scope of delivery. If parts are missing, please contact our service center or the sales outlet where you made your purchase at the latest within 5 working days after purchasing the product and upon presentation of a valid bill of purchase. Also, refer to the warranty table in the service information at the end of the operating instructions.

- Open the packaging and take out the equipment with care.
- Remove the packaging material and any packaging and/or transportation braces (if available).
- Check to see if all items are supplied.
- Inspect the equipment and accessories for transport damage.
- If possible, please keep the packaging until the end of the guarantee period.

Danger!
The equipment and packaging material are not toys. Do not let children play with plastic bags, foils or small parts. There is a danger of swallowing or suffocating!

Caution!
Residual risks
Even if you use this electric power tool in accordance with instructions, certain residual risks cannot be ruled out. The following hazards may arise in connection with the equipment's construction and layout:

1. Lung damage if no suitable protective dust mask is used.
2. Damage to hearing if no suitable ear protection is used.
3. Health damage caused by hand-arm vibrations if the equipment is used over a prolonged period or is not properly guided and maintained.

USING YOUR CIRCULAR SAW

WARNING! Be sure to disconnect the circular saw from the power supply before fitting or removing blades or accessories.

The hand-held circular saw is designed for sawing straight cuts in wood, wood-type materials and plastics. When working, be careful not to overheat the tips of the saw blade and melt the plastic.

The equipment is to be used only for its prescribed purpose. Any other use is deemed to be a case of misuse. The user / operator and not the manufacturer will be liable for any damage or injuries of any kind caused as a result of this.

Please note that our equipment has not been designed for use in commercial, trade or industrial applications. Our warranty will be voided if the machine is used in commercial, trade or industrial businesses or for equivalent purposes.

Before attempting to operate the machine, familiarise yourself with the controls and make sure you know how to stop the machine quickly in an emergency.

Save these instructions and other documents supplied with this machine for future reference.

WARNING! Ensure the tool is disconnected from the power supply before performing any of the following operations.

Depth Adjustment

The depth should be adjusted so that no more than one tooth is protruding through the timber. This helps to minimise splintering.

1. Loosen the depth adjustment lever by rotating counter clockwise. **FIG. A**
2. Hold the baseplate down with one hand. Raise or lower the saw to the desired depth using the depth scale as a guide.
3. Tighten the depth adjustment lever by rotating clockwise to secure in position.

Bevel Adjustment

1. Loosen the bevel adjustment knob.
2. Hold the baseplate down with one hand. Tilt the saw to the desired bevel angle using the bevel scale as a guide. **FIG. B**
3. Tighten the bevel adjustment knob to secure in position.

OPERATION

Rip Fence

The rip fence allows for fast easy rip cuts by guiding the saw along an edge at a specified distance.

1. Loosen the rip fence locking knob to allow the rip fence to slide into the recess.
2. Slide the rip fence into the recess in the base plate and under the locking knob. **FIG. C**
3. Set the desired width by aligning the scale with the cutting guide notch.
4. Tighten the rip fence locking knob to secure in place.

WARNING! The power supply for this product should be protected by a residual current device (rated at 30mA or less).

On/Off Switch

- To turn the saw on, first depress the lock-off button and then squeeze the on/off switch. **FIG. D**

Note: Allow the blade to reach full speed before cutting.

- To turn the saw off, release the on/off switch.

WARNING! After use, hold the saw away from your body until the blade stops completely. This may help to prevent serious injury.

Blade Fitment

The tool is recommended for wood cutting only it must not be used with abrasive wheels or masonry/diamond cutting wheels. Only use 185mm wood cutting blades.

1. Press and hold the spindle lock button. **FIG. E**
2. Rotate the blade using a hex key until lock engages.
3. Loosen and remove the blade bolt and outer blade flange by rotating in an anti-clockwise direction. **FIG. F**
4. Remove and replace the blade.

Note: Ensure arrows on the blade point in the same direction as the arrow on the upper blade guard.

5. Fit the outer blade flange and blade bolt.

6. Press and hold the spindle lock while tightening the blade bolt in a clockwise direction using a hex key.

Dust Extraction

A dust extraction adaptor is provided to allow a vacuum or dust extractor to be fitted to the tool.

1. Fit the dust extraction adaptor to the dust port.
2. Attach a vacuum or dust extractor to the dust extraction adaptor.

MAINTENANCE

Keep the ventilation slots of the saw clean at all times. If possible prevent foreign matter from entering the vents.

After each use, blow air through the saw housing to ensure it is free from all dust particles that may build up.

CAUTION: Excessive build-up of dust particles may cause the saw to overheat and fail.

If the enclosure of the tool requires cleaning, use a soft, moist cloth only. Do not use solvents.

CAUTION: Never immerse any part of the circular saw in liquid.

Carbon brushes will wear out after many uses, causing the saw to spark and/or stop. The brushes are a wearing component of the saw and should be replaced prior to the carbon wearing out completely. Take the saw to a suitably qualified electrician or power tool repairer for replacement. Always replace both brushes at the same time.

Note: XU1 will not be responsible for any damage or injuries caused by the repair of the tool by an unauthorised person or by mishandling of the tool.

SERVICE INFORMATION

Please note that the following parts of this product are subject to normal or natural wear and that the following parts are therefore also required for use as consumables.

Category	Example
Wear parts*	Carbon brushes
Consumables*	Saw blade
Missing parts	

* Not necessarily included in the scope of delivery!

WARRANTY

All of our products undergo strict quality checks to ensure that they reach you in perfect condition. In the unlikely event that your device develops a fault, please contact our service department at the address shown on this guarantee card. You can also contact us by telephone using the customer service number shown. Please note the following terms under which guarantee claims can be made:

1. These warranty terms regulate additional warranty services, which the manufacturer mentioned below promises to buyers of its new products in addition to their statutory guarantee claims are not affected by this guarantee. Our guarantee is free of charge to you.

2. The warranty services only covers defects due to material or manufacturing faults on a product which you have bought from the manufacturer mentioned below are limited to either the rectification of said defects on the product or the replacement of the product, whichever we prefer.

Please note that our devices are not designed for use in commercial, trade or professional applications. A guarantee contract will not be created if the device has been used by commercial, trade or industrial business or has been exposed to similar stresses during the guarantee period.

3. The following are not covered by our guarantee:
 - Damage to the device caused by a failure to follow the assembly instructions or due to incorrect installation, a failure to follow the operating instructions (for example connecting it to an incorrect mains voltage or current type) or a failure to follow the maintenance and safety instructions or by exposing the device to abnormal environmental conditions or by lack of care and maintenance.
 - Damage to the device caused by abuse or incorrect use (for example overloading the device or the use of unapproved tools or accessories), ingress of foreign bodies into the device (such as sand, stones or dust, transport damage), the use of force or damage caused by external forces (for example by dropping it).
 - Damage to the device or parts of the device caused by normal or natural wear or tear or by normal use of the device.

4. Your Product is guaranteed for a period of 12 months from the original date of purchase and is intended for DIY (Do It Yourself) use only. Warranty excludes consumable parts, for example: cutting blade. Guarantee claims should be submitted before the end of the guarantee period within two weeks of the defect being noticed. No guarantee claims will be accepted after the end of the guarantee period. The original guarantee period remains applicable to the device even if repairs are carried out or parts are replaced. In such cases, the work performed or parts fitted will not result in an extension of the guarantee period, and no new guarantee will become active for the work performed or parts fitted. This also applies if an on-site service is used.

IN ORDER TO MAKE A CLAIM UNDER THIS WARRANTY YOU MUST RETURN THE PRODUCT TO THE PLACE OF PURCHASE WITH YOUR REGISTER RECEIPT.

Please refer to the restrictions of this warranty concerning wearing parts, consumables and missing parts as set out in the service information in these operating instructions.

CUSTOMER SERVICE HELPLINE
 GB: 0151 294 4488
 IRL: 1850 882711

XU1
 Unit 9 Stadium Court, Wirral International Business Park, Plantation Road, Bromborough, Wirral, CH62 3QG