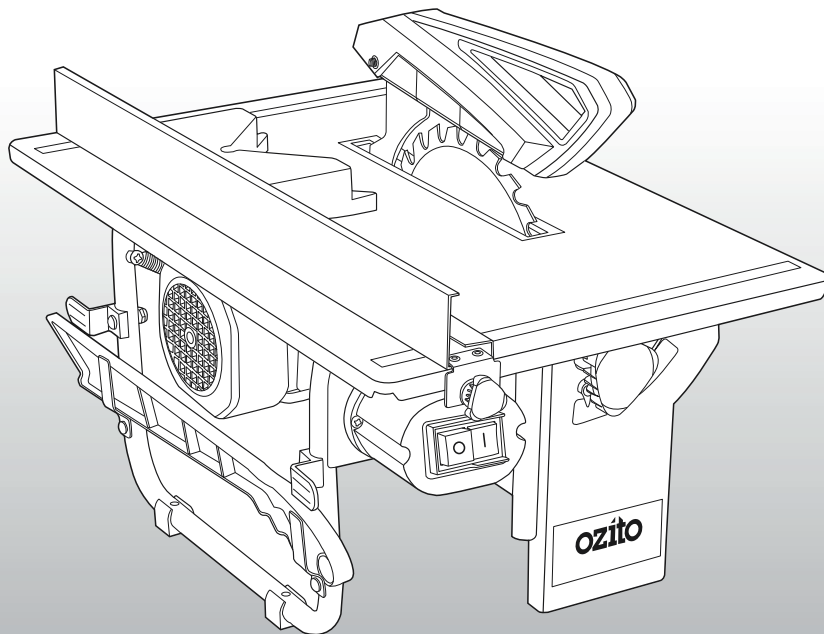


ozito

TSB-0808U

**GB Original operating instructions
Bench-type circular saw**

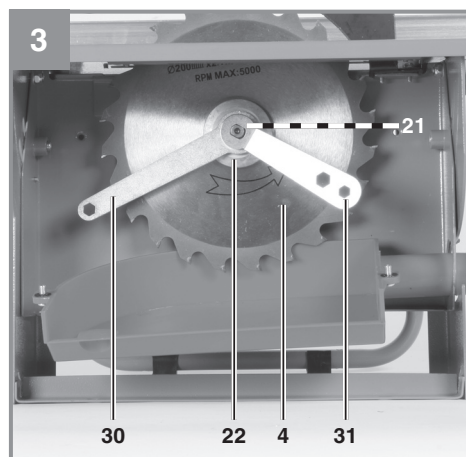
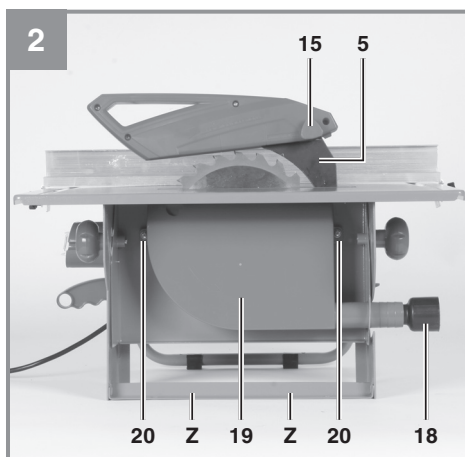
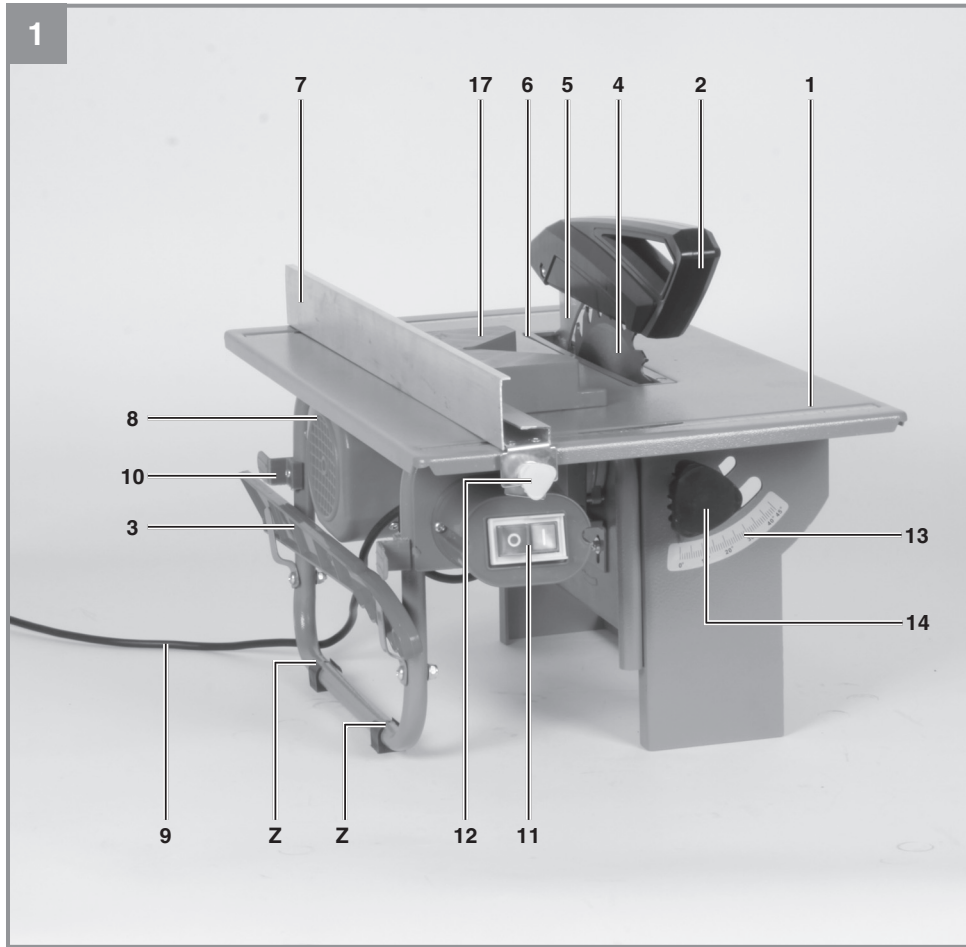


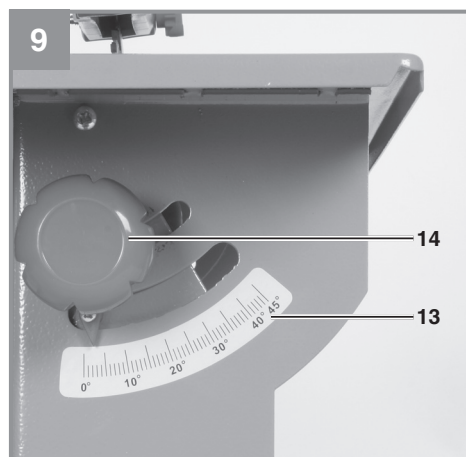
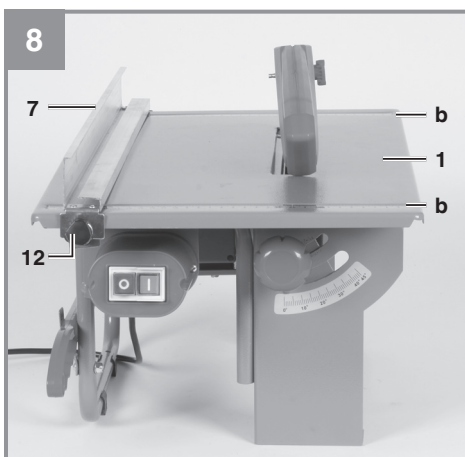
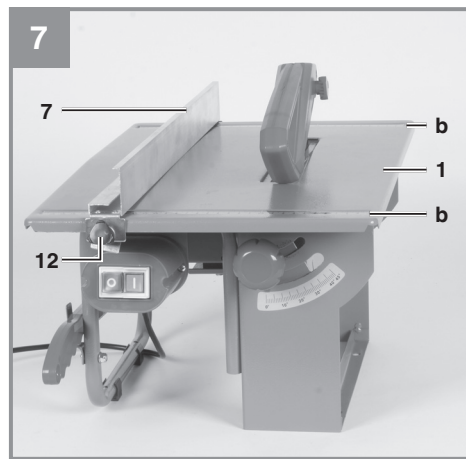
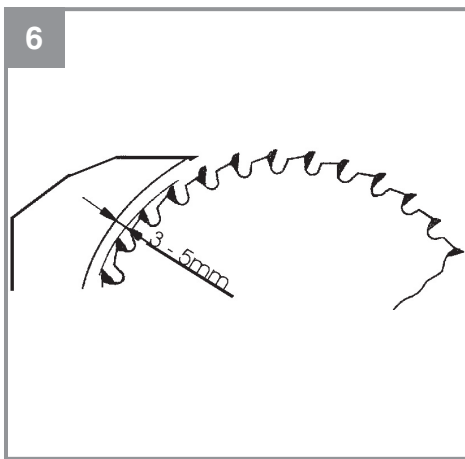
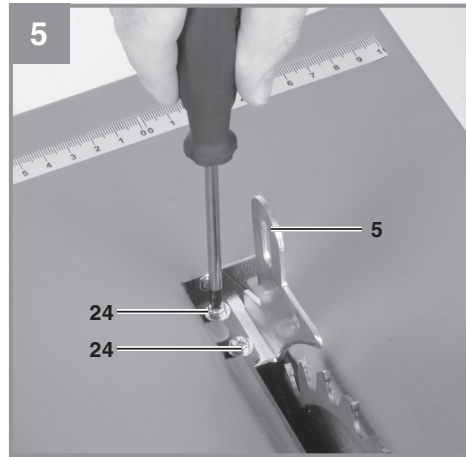
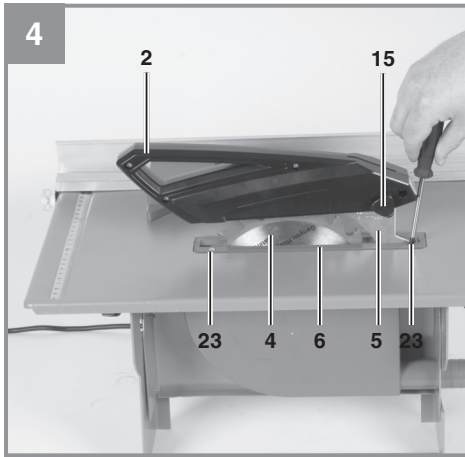
3 YEAR REPLACEMENT WARRANTY



Art.-Nr.: 43.404.20

I.-Nr.: 11016





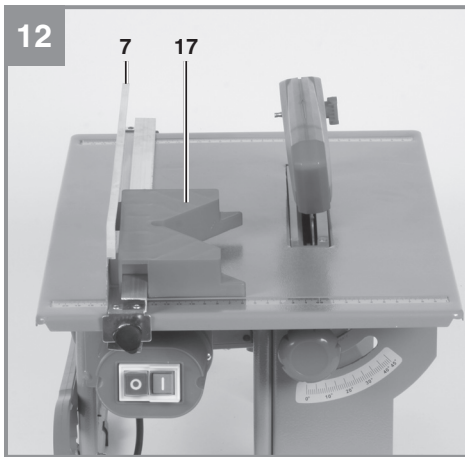
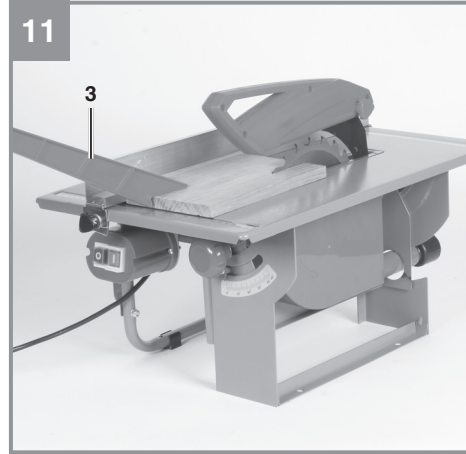
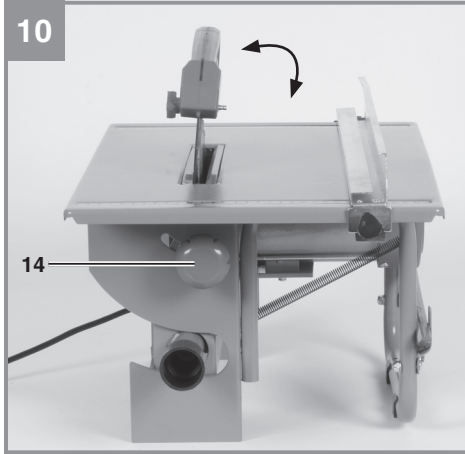


Table of contents

1. Safety regulations
2. Layout and items supplied
3. Proper use
4. Technical data
5. Before starting the equipment
6. Assembly
7. Using the saw
8. Operation
9. Replacing the power cable
10. Cleaning, maintenance and ordering of spare parts
11. Disposal and recycling
12. Storage



Danger! - Read the operating instructions to reduce the risk of injury.



Caution! Wear ear-muffs. The impact of noise can cause damage to hearing.



Caution! Wear a breathing mask. Dust which is injurious to health can be generated when working on wood and other materials. Never use the device to work on any materials containing asbestos!



Caution! Wear safety goggles. Sparks generated during working or splinters, chips and dust emitted by the device can cause loss of sight.



Caution! Risk of injury! Do not reach into the running saw blade.

Danger!

When using the equipment, a few safety precautions must be observed to avoid injuries and damage. Please read the complete operating instructions and safety regulations with due care. Keep this manual in a safe place, so that the information is available at all times. If you give the equipment to any other person, hand over these operating instructions and safety regulations as well. We cannot accept any liability for damage or accidents which arise due to a failure to follow these instructions and the safety instructions.

1. Safety regulations

The corresponding safety information can be found in the enclosed booklet.

Danger!**Read all safety regulations and instructions.**

Any errors made in following the safety regulations and instructions may result in an electric shock, fire and/or serious injury.

Keep all safety regulations and instructions in a safe place for future use.

2. Layout and items supplied**2.1 Layout**

- 1 Sawing table
- 2 Saw blade guard
- 3 Push stick
- 4 Saw blade
- 5 Splitter
- 6 Table insert
- 7 Parallel stop
- 8 Motor
- 9 Power cable
- 10 Stand
- 11 On/Off switch
- 12 Locking grip for parallel stop
- 13 Scale for angle setting
- 14 Locking grip
- 15 Screw for saw blade guard
- 16 Cable holder (for machine transport)
- 17 45° stop/cross stop

2.2 Items supplied

Please check that the article is complete as specified in the scope of delivery. If parts are missing, please contact our service center or the nearest branch of the DIY store where you made your purchase at the latest within 5 work days after purchasing the article and upon presentation of a valid bill of purchase. Also, refer to the warranty table in the warranty provisions at the end of the operating instructions.

- Open the packaging and take out the equipment with care.
- Remove the packaging material and any packaging and/or transportation braces (if available).
- Check to see if all items are supplied.
- Inspect the equipment and accessories for transport damage.
- If possible, please keep the packaging until the end of the guarantee period.

Danger!

The equipment and packaging material are not toys. Do not let children play with plastic bags, foils or small parts. There is a danger of swallowing or suffocating!

- Splitter
- Carbide-tipped saw blade
- Parallel stop
- Push stick
- Blade change tool
- Bench-type circular saw
- Cross stop
- Original operating instructions
- Safety information

3. Proper use

The bench-type circular saw is designed for the slitting and cross-cutting (only with the cross stop) of all types of timber commensurate with the machine's size. The equipment is not to be used for cutting any type of round wood.

The equipment is to be used only for its prescribed purpose. Any other use is deemed to be a case of misuse. The user / operator and not the manufacturer will be liable for any damage or injuries of any kind caused as a result of this.

Please note that our equipment has not been designed for use in commercial, trade or industrial applications. Our warranty will be voided if the machine is used in commercial, trade or industrial businesses or for equivalent purposes.

The equipment is to be operated only with suitable saw blades (saw blades made of HM or CV) It is prohibited to use any type of HSS saw blade and cutting-off wheel.

To use the equipment properly you must also observe the safety information, the assembly instructions and the operating instructions to be found in this manual.

All persons who use and service the equipment have to be acquainted with these operating instructions and must be informed about the equipment's potential hazards. It is also imperative to observe the accident prevention regulations in force in your area. The same applies for the general rules of health and safety at work. The manufacturer will not be liable for any changes made to the equipment nor for any damage resulting from such changes. Even when the equipment is used as prescribed it is still impossible to eliminate certain residual risk factors. The following hazards may arise in connection with the machine's construction and design:

- Contact with the saw blade in the uncovered saw zone.
- Reaching into the running saw blade (cut injuries).
- Kick-back of workpieces and parts of workpieces.
- Saw blade fracturing.
- Catapulting of faulty carbide tips from the saw blade.
- Damage to hearing if essential ear-muffs are not used.
- Harmful emissions of wood dust when used in closed rooms.

4. Technical data

AC motor	230V ~ 50Hz
Power P	800 W S2 10 min
Idle speed n_0	2950 min ⁻¹
Cutting-off wheel	Ø 200 x Ø 16 x 2.4 mm
Number of teeth	24
Table size	500 x 335 mm
Cutting height max.	45 mm / 90°
.....	35 mm / 45°
Extractor socket	Ø 36 mm
Weight	approx. 12.3 kg
Thickness of the splitter:	2.2 mm

Load factor:

A load factor of S2 10 min (intermittent periodic duty) means that you may operate the motor continuously at its nominal power level (800 W) for no longer than the time stipulated on the specifications label (10 min). If you fail to observe this time limit the motor will overheat. During the OFF period the motor will cool again to its starting temperature.

Danger!

Sound and vibration

Sound and vibration values were measured in accordance with EN 61029.

Operation

L_{pA} sound pressure level	96,6 dB(A)
K_{pA} uncertainty	3 dB
L_{WA} sound power level	109,6 dB(A)
K_{WA} uncertainty	3 dB

The quoted values are emission values and not necessarily reliable workplace values. Although there is a correlation between emission and immission levels it is impossible to draw any certain conclusions as to the need for additional precautions. Factors with a potential influence on the actual immission level at the workplace include the duration of impact, the type of room, and other sources of noise etc., e.g. the number of machines and other neighboring operations. Reliable workplace values may also vary from country to country. With this information the user should at least be able to make a better assessment of the dangers and risks involved.

Wear ear-muffs.

The impact of noise can cause damage to hearing.

Keep the noise emissions and vibrations to a minimum.

- Only use appliances which are in perfect working order.
- Service and clean the appliance regularly.
- Adapt your working style to suit the appliance.
- Do not overload the appliance.
- Have the appliance serviced whenever necessary.
- Switch the appliance off when it is not in use.

Caution!**Residual risks**

Even if you use this electric power tool in accordance with instructions, certain residual risks cannot be ruled out. The following hazards may arise in connection with the equipment's construction and layout:

1. Lung damage if no suitable protective dust mask is used.
2. Damage to hearing if no suitable ear protection is used.
3. Health damage caused by hand-arm vibrations if the equipment is used over a prolonged period or is not properly guided and maintained.

5. Before starting the equipment

Before you connect the equipment to the mains supply make sure that the data on the rating plate are identical to the mains data.

Warning! Always pull the power plug before making adjustments to the equipment.

- Unpack the bench-type circular saw and check it for damage which may have occurred in transit.
- The machine has to be set up where it can stand firmly, e.g. on a work bench, or it must be bolted to a strong base.
- All covers and safety devices have to be properly fitted before the machine is switched on.
- It must be possible for the saw blade to run freely.
- When working with wood that has been processed before, watch out for foreign bodies such as nails or screws etc.
- Before you actuate the On/Off switch, make

sure that the saw blade is correctly fitted and that the machine's moving parts run smoothly.

6. Assembly

Danger! Always pull out the power plug before carrying out any maintenance or conversion work.

6.1 Fitting the saw blade (Fig. 2/3)

- **Important!** Pull out the power plug.
- Unscrew the fixing screws (20) and remove chip bin cover (19).
- Undo the nut (21) with a ring wrench (30) on the nut itself and a face spanner (31) on the saw shaft to apply counter-pressure.
- **Important!** Turn the nut in the direction of rotation of the saw blade (4).
- Remove the outer flange (22).
- When fitting a saw blade for the first time: Clean the mounting flange, insert a new saw blade and retighten the flange (22).
- When changing the saw blade: Take off the old saw blade. Clean the mounting flange, insert a new saw blade and retighten the flange (22).
- **Important!** Note the running direction! The running direction of the saw blade is marked on the blade and chip bin cover (19) as a direction arrow.

6.2 Adjusting the splitter (Fig. 4-6)

- Take off the saw blade guard (2) (see 6.3).
- Take out the table insert (6) (see 6.4).
- Loosen the splitter (5) with the two screws (24) (Fig. 5).
- Adjust the splitter (5) so that the gap between the saw blade (4) and the splitter (5) equals 3 - 5 mm (see Fig. 6).
- The splitter (5) has to be in line with the saw blade (4) in longitudinal direction.
- Retighten the two screws (24).
- The setting of the splitter has to be checked each time after changing the saw blade.

6.3 Fitting the saw blade guard (Fig. 4)

- Mount the saw blade guard (2) on the splitter (5) and align.
- Insert the screw (15) through the hole in the saw blade guard (2) and in the splitter (5) and secure it with the nut.
- To dismantle, proceed in reverse order.

6.4 Replacing the table insert (Fig. 4)

- Important: Pull out the power plug!
- Remove the screws (23).
- Take off the saw blade guard (2) (see 6.3).
- Lift the worn table insert (6) up and out.
- Fit the replacement table insert by following the above in reverse.

6.5 Securing on a substructure

The holes (Z/Fig. 2) in the machine frame can be used to secure the equipment to a firm, level substructure such as a workbench. Suitable fastening material (screws, etc.) is available from your dealer.

6.6 Sawdust extraction (Fig. 2)

- The saw is equipped with an extractor port (18) for chips.
- This makes it easy to connect to any extractor.
- Never use the equipment without the suction function.
- Regularly check and clean the suction channels.

7. Operation

7.1 Switching On and Off (Fig. 1)

- The saw can be switched on by pressing the green pushbutton „I“.
- The red pushbutton „0“ has to be pressed to switch off the saw.

7.2 Parallel stop

7.2.1 Stop height (Fig. 7/8)

- The parallel stop (7) supplied with the bench-type circular saw has two different guide faces.
- Use the lower stop height for thin workpieces and the higher stop height for thick workpieces.
- To change the stop height, open the locking grips (12) on the parallel stop (7) and take it off the table.
- Turn the parallel stop through 180° so that end which was facing the front now faces the rear.
- Retighten the locking grips.
- Measure the cutting width between the saw blade and the parallel stop in addition to the scale indicator. After every new adjustment,

make a trial cut in order to check the set dimensions.

7.2.2 Cutting width (Fig. 8)

- The parallel stop (7) has to be used when making longitudinal cuts in wooden workpieces.
- Slide the parallel stop (7) to the right or left side of the saw table (1).
- The parallel stop (7) can be set to the required dimension with the help of the scale (b) engraved on the saw table (1).
- Tighten the two thumb screws (12) in order to fix the parallel stop (7).

7.3 Setting the angle (Fig. 9/10)

- Undo the locking grips (14).
- Slide the two locking grips (14) to set the blade (4) to the required angle value (see scale (13)).
- Retighten the locking grips (14).

8. Operation

After every new adjustment we recommend you to make a trial cut in order to check the new settings.

After switching on the saw, wait for the blade to reach its maximum speed of rotation before commencing with the cut.

Secure long workpieces against falling off at the end of the cut (e.g. with a roller stand etc.)

Take extra care when starting the cut.

8.1 Cutting narrow workpieces

(width less than 120 mm) (Fig. 11)

- Adjust the parallel stop (7) to the width of workpiece you require.
- Feed in the workpiece with two hands. Always use the push stick (3) in the area of the saw blade (4). (A push stick is supplied with the saw!)
- Always push the workpiece through to the end of the splitter (5).
- Important! With short workpieces, use the push stick from the beginning.

8.2 Cutting very narrow workpieces (width less than 30 mm)

- Adjust the parallel stop (7) to the width of workpiece you require.
- Use the push block to press the workpiece against the parallel stop (7) and push the

workpiece with the push block through to the end of the splitter (5).

- There is no push block supplied with the saw! (Available from your specialist dealer)

9. Replacing the power cable

Danger!

If the power cable for this equipment is damaged, it must be replaced by the manufacturer or its after-sales service or similarly trained personnel to avoid danger.

10. Cleaning, maintenance and ordering of spare parts

Danger!

Always pull out the mains power plug before starting any cleaning work.

10.1 Cleaning

- Keep all safety devices, air vents and the motor housing free of dirt and dust as far as possible. Wipe the equipment with a clean cloth or blow it with compressed air at low pressure.
- We recommend that you clean the device immediately each time you have finished using it.
- Clean the equipment regularly with a moist cloth and some soft soap. Do not use cleaning agents or solvents; these could attack the plastic parts of the equipment. Ensure that no water can seep into the device. The ingress of water into an electric tool increases the risk of an electric shock.

10.2 Maintenance

There are no parts inside the equipment which require additional maintenance.

10.3 Spare parts:

Spare parts can be ordered from the Special Orders Desk at your local Ozito-diy.co.uk Bunnings Warehouse or Homebase store. For further information, or any parts visit www.ozito-diy.co.uk or contact Ozito Customer Service:
Great Britain: 0151 294 4488
Ireland: 1850 882711
E-mail: info@ozito-diy.co.uk

10.4 Transport

Only ever transport the machine by lifting it by the saw table. Never use the safety devices such as the saw blade guard and stop rails for handling or transporting purposes.

11. Disposal and recycling

The equipment is supplied in packaging to prevent it from being damaged in transit. The raw materials in this packaging can be reused or recycled. The equipment and its accessories are made of various types of material, such as metal and plastic. Never place defective equipment in your household refuse. The equipment should be taken to a suitable collection center for proper disposal. If you do not know the whereabouts of such a collection point, you should ask in your local council offices.

12. Storage

Store the equipment and accessories out of children's reach in a dark and dry place at above freezing temperature. The ideal storage temperature is between 5 and 30 °C. Store the electric tool in its original packaging.



For EU countries only

Never place any electric power tools in your household refuse.

To comply with European Directive 2012/19/EC concerning old electric and electronic equipment and its implementation in national laws, old electric power tools have to be separated from other waste and disposed of in an environment-friendly fashion, e.g. by taking to a recycling depot.

Recycling alternative to the return request:

As an alternative to returning the equipment to the manufacturer, the owner of the electrical equipment must make sure that the equipment is properly disposed of if he no longer wants to keep the equipment. The old equipment can be returned to a suitable collection point that will dispose of the equipment in accordance with the national recycling and waste disposal regulations. This does not apply to any accessories or aids without electrical components supplied with the old equipment.

The reprinting or reproduction by any other means, in whole or in part, of documentation and papers accompanying products is permitted only with the express consent of the iSC GmbH.

Subject to technical changes

Service information

Please note that the following parts of this product are subject to normal or natural wear and that the following parts are therefore also required for use as consumables.

Category	Example
Wear parts*	V-belt, carbon brushes, table insert, push stick
Consumables*	Saw blade
Missing parts	

* Not necessarily included in the scope of delivery!

WARRANTY CERTIFICATE

All of our products undergo strict quality checks to ensure that they reach you in perfect condition. In the unlikely event that your device develops a fault, please contact our service department at the address shown on this guarantee card. You can also contact us by telephone using the customer service number shown. Please note the following terms under which guarantee claims can be made:

1. These warranty terms regulate additional warranty services, which the manufacturer mentioned below promises to buyers of its new products in addition to their statutory guarantee claims are not affected by this guarantee. Our guarantee is free of charge to you.
2. The warranty services only covers defects due to material or manufacturing faults on a product which you have bought from the manufacturer mentioned below are limited to either the rectification of said defects on the product or the replacement of the product, whichever we prefer.
Please note that our devices are not designed for use in commercial, trade or professional applications. A guarantee contract will not be created if the device has been used by commercial, trade or industrial business or has been exposed to similar stresses during the guarantee period.
3. The following are not covered by our guarantee:
 - Damage to the device caused by a failure to follow the assembly instructions or due to incorrect installation, a failure to follow the operating instructions (for example connecting it to an incorrect mains voltage or current type) or a failure to follow the maintenance and safety instructions or by exposing the device to abnormal environmental conditions or by lack of care and maintenance.
 - Damage to the device caused by abuse or incorrect use (for example overloading the device or the use of unapproved tools or accessories), ingress of foreign bodies into the device (such as sand, stones or dust, transport damage), the use of force or damage caused by external forces (for example by dropping it).
 - Damage to the device or parts of the device caused by normal or natural wear or tear or by normal use of the device.
4. Your Product is guaranteed for a period of 36 months from the original date of purchase and is intended for DIY (Do It Yourself) use only. Lithium Ion batteries and chargers are covered by a 12 month warranty. Warranty excludes consumable parts. Guarantee claims should be submitted before the end of the guarantee period within two weeks of the defect being noticed. No guarantee claims will be accepted after the end of the guarantee period. The original guarantee period remains applicable to the device even if repairs are carried out or parts are replaced. In such cases, the work performed or parts fitted will not result in an extension of the guarantee period, and no new guarantee will become active for the work performed or parts fitted. This also applies if an on-site service is used.

IN ORDER TO MAKE A CLAIM UNDER THIS WARRANTY YOU MUST RETURN THE PRODUCT TO THE PLACE OF PURCHASE WITH YOUR REGISTER RECEIPT.

Please refer to the restrictions of this warranty concerning wearing parts, consumables and missing parts as set out in the service information in these operating instructions.

CUSTOMER SERVICE HELPLINE

GB: 0151 294 4488

IRL: 1850 882711

Ozito-diy.co.uk

OZITO UK Unit 9 Stadium Court, Wirral International Business Park, Plantation Road, Bromborough, Wirral, CH62 3QG

- 14 -

ISC GmbH · Eschenstraße 6 · D-94405 Landau/Isar



explains the following conformity according to EU directives and norms for the following product


Table Saw TSB-0808U (Ozito)

- | | |
|---|---|
| <input type="checkbox"/> 2014/29/EU | <input checked="" type="checkbox"/> 2006/42/EC |
| <input type="checkbox"/> 2005/32/EC_2009/125/EC | <input checked="" type="checkbox"/> Annex IV |
| <input type="checkbox"/> 2014/35/EU | Notified Body: TÜV Product Service GmbH |
| <input type="checkbox"/> 2006/28/EC | Notified Body No.: 0123 |
| <input checked="" type="checkbox"/> 2014/30/EU | Reg. No.: M6A 16 09 24192 01732 |
| <input type="checkbox"/> 2014/32/EU | <input type="checkbox"/> 2000/14/EC_2005/88/EC |
| <input type="checkbox"/> 2014/53/EC | <input type="checkbox"/> Annex V |
| <input type="checkbox"/> 2014/68/EU | <input type="checkbox"/> Annex VI |
| <input type="checkbox"/> 90/396/EC_2009/142/EC | Noise: measured L_{WA} = dB (A); guaranteed L_{WA} = dB (A) |
| <input type="checkbox"/> 89/686/EC_96/58/EC | P = KW; L/O = cm |
| <input checked="" type="checkbox"/> 2011/65/EU | Notified Body: |
| | <input type="checkbox"/> 2012/46/EU |
| | Emission No.: |

**Standard references: EN 61029-1; EN 61029-2-1; EN 55014-1;
EN 55014-2; EN 61000-3-2; EN 61000-3-3; EN 62321**

Landau/Isar, den 11.01.2017


Weichselgartner/General-Manager


Wentao/Product-Management

First CE: 17
Art.-No.: 43.404.20 I.-No.: 11016
Subject to change without notice

Archive-File/Record: NAPR014443
Documents registrar: R. Gehard
Wiesenweg 22, D-94405 Landau/Isar



EH 04/2017 (01)

