

ROUTER BITS

Below is a list of common router bits and their uses.

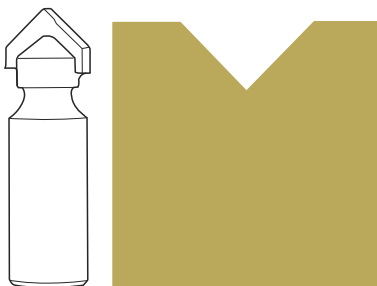
STRAIGHT BITS

Straight router bits are ideal for making plunge cuts into a material to form a groove or to hollow out an area for a mortise or inlay.



V GROOVE BITS

Used to create V shaped channels or flutes in a workpiece.



ROUND NOSE BITS

Similar to the V-groove bit in that it creates channels or flutes in a workpiece.



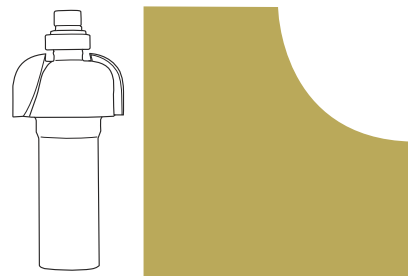
DOVE TAIL

Most commonly used to create tails for dovetail joinery. Plunge cuts a flat bottom with angled sides into a workpiece.



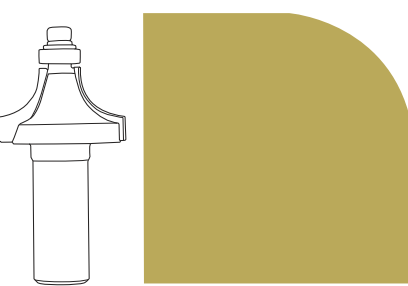
COVE BIT

Used to create a concave, rounded edge to a piece of timber. Often used in conjunction with a round over bit.



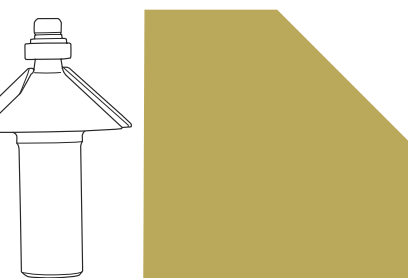
ROUND OVER BIT

Creates a rounded edge on a piece.



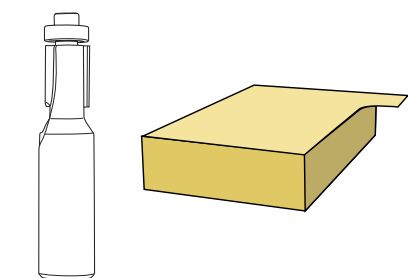
CHAMFER

Cuts a 45-degree angle on a square edge.



FLUSH TRIM BITS

Suited to trimming the edge of one piece flush with the edge of another piece. A common use is using a pattern or template to create multiple identical shapes of the pattern.



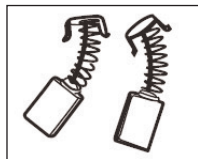
MAINTENANCE

- Keep the ventilation vents of the router clean at all times, if possible, prevent foreign matter from entering the vents.
- After each use, blow air through the router housing to ensure it is free from all dust particles which may build up. Build up of dust particles may cause the router to overheat and fail.
- If the enclosure of the router requires cleaning, do not use solvents but a moist soft cloth only. Never let any liquid get inside the router; never immerse any part of the router into a liquid.

Carbon Brushes

When the carbon brushes wear out, the router will spark and/or stop. Discontinue use as soon as this happens. They should be replaced prior to recommending use of the router. Carbon brushes are a wearing component of the router therefore not covered under warranty. Continuing to use the router when carbon brushes need to be replaced may cause permanent damage to the router. Carbon brushes will wear out after many uses but when the carbon brushes need to be replaced, take the router to an electrician or a power tool repairer for a quick and low cost replacement. Always replace both carbon brushes at the same time.

Note: Ozito Industries will not be responsible for any damage or injuries caused by the repair of the router by an unauthorised person or by mishandling of the router.



DESCRIPTION OF SYMBOLS

V	Volts	Hz	Hertz
~	Alternating current	W	Watts
/min	Revolutions or reciprocation per minute	No	No load speed
	Read instruction manual		Warning
	Double insulated		

TROUBLESHOOTING

SYMPTOM	POSSIBLE CAUSE	REMEDY
Router will not operate	No supply of power	Check that power is available at source
Router runs slowly	Blunt or damaged router bits	Re-sharpen or replace router bits
	Variable speed set low	Increase variable speed setting
	Motor is overloaded	Reduce excessive load or force on router
Excessive vibration	Bent router bit shaft	Replace router bit
Sparking visible through the housing vents	This is normal and does not indicate a problem	No action is required
Heavy sparking occurs inside motor housing	Brushes not moving freely	Disconnect power, remove brushes, clean or replace

SPARE PARTS

Spare parts can be ordered from the Special Orders Desk at your local Bunnings Warehouse or Homebase store.

For further information, or any parts visit

www.ozito-diy.co.uk or contact Ozito Customer Service:

Great Britain: 0151 294 4488

Ireland: 1850 882711

E-mail: enquires@ozito-diy.co.uk

ELECTRICAL SAFETY

WARNING! When using mains-powered tools, basic safety precautions, including the following, should always be followed to reduce risk of fire, electric shock, personal injury and material damage. Read the whole manual carefully and make sure you know how to switch the tool off in an emergency, before operating the tool. Save these instructions and other documents supplied with this tool for future reference.

Before you connect the equipment to the mains supply make sure that the data on the rating plate are identical to the mains data.

This tool is double insulated therefore no earth wire is required.

If the supply cord is damaged, it must be replaced by an electrician or a power tool repairer in order to avoid a hazard.

Note: Double insulation does not take the place of normal safety precautions when operating this tool. The insulation system is for added protection against injury resulting from a possible electrical insulation failure within the tool.

Using an Extension Lead

Always use an approved extension lead suitable for the power input of this tool. Before use, inspect the extension lead for signs of damage, wear and ageing. Replace the extension lead if damaged or defective. When using an extension lead on a reel, always unwind the lead completely. Use of an extension lead not suitable for the power input of the tool or which is damaged or defective may result in a risk of fire and electric shock.

GENERAL POWER TOOL SAFETY WARNINGS

WARNING! Read all safety warnings and all instructions. Failure to follow the warnings and instructions may result in electric shock, fire and/or serious injury. Save all warnings and instructions for future reference. The term "power tool" in the warnings refers to your mains-operated (corded) power tool or battery-operated (cordless) power tool.

1. Work area safety

a. Keep work area clean and well lit. Cluttered or dark areas invite accidents.

b. Do not operate power tools in explosive atmospheres, such as in the presence of flammable liquids, gases or dust. Power tools create sparks which may ignite the dust or fumes.

c. Keep children and bystanders away while operating a power tool. Distractions can cause you to lose control.

2. Electrical safety

a. Power tool plugs must match the outlet. Never modify the plug in any way. Do not use any adapter plugs with earthed (grounded) power tools. Unmodified plugs and matching outlets will reduce risk of electric shock.

b. Avoid body contact with earthed or grounded surfaces, such as pipes, radiators, ranges and refrigerators. There is an increased risk of electric shock if your body is earthed or grounded.

c. Do not expose power tools to rain or wet conditions. Water entering a power tool will increase the risk of electric shock.

d. Do not abuse the cord. Never use the cord for carrying, pulling or unplugging the power tool. Keep cord away from heat, oil, sharp edges or moving parts. Damaged or entangled cords increase the risk of electric shock.

e. When operating a power tool outdoors, use an extension cord suitable for outdoor use. Use of a cord suitable for outdoor use reduces the risk of electric shock.

f. If operating a power tool in a damp location is unavoidable, use a residual current device (RCD) protected supply. Use of an RCD reduces the risk of electric shock.

3. Personal safety

a. Stay alert, watch what you are doing and use common sense when operating a power tool. Do not use a power tool while you are tired or under the influence of drugs, alcohol or medication. A moment of inattention while operating power tools may result in serious personal injury.

b. Use personal protective equipment. Always wear eye protection. Protective equipment such as dust mask, non-skid safety shoes, hard hat, or hearing protection used for appropriate conditions will reduce personal injuries.

c. Prevent unintentional starting. Ensure the switch is in the off-position before connecting to power source and/or battery pack, picking up or carrying the tool. Carrying power tools with your finger on the switch or engaging power tools that have the switch on invites accidents.

d. Remove any adjusting key or wrench before turning the power tool on. A wrench or a key left attached to a rotating part of the power tool may result in personal injury.

ROUTER SAFETY WARNINGS

WARNING! This appliance is not intended for use by persons (including children) with reduced physical, sensory or mental capabilities, or lack of experience and knowledge, unless they have been given supervision or instruction concerning use of the appliance by a person responsible for their safety.

Recommendations for the use of a residual current device (RCD) with a rated residual current of 30mA or less.

Hold power tool by insulated gripping surface, because the cutter may contact its own cord. Cutting a "live" wire may make exposed metal parts of the power tool "live" and shock the operator.

Use clamps or another practical way to secure and support the workpiece to a stable platform. Holding the work by hand or against the body leaves it unstable and may lead to loss of control.

Using an Extension Lead

Always use an approved extension lead suitable for the power input of this tool. Before use, inspect the extension lead for signs of damage, wear and ageing. Replace the extension lead if damaged or defective.

When using an extension lead on a reel, always unwind the lead completely. Use of an extension lead not suitable for the power input of the tool or which is damaged or defective may result in a risk of fire and electric shock.

It is recommended that the extension lead is a maximum of 25m in length. Do not use multiple extension leads.

- Wear safety glasses or goggles when operating this tool.
- Only use router bits with a shank diameter equal to the size of the collet installed in the tool.
- Only use router bits suitable for the no-load speed of the tool.
- Do not use the tool in an inverted position.
- Do not attempt to use the tool in a stationary mode.
- Take special care when routing MDF or surfaces coated with lead-based paint.
- Wear a dust mask specifically designed for protection against lead paint dust and fumes and ensure that persons within or entering the work area are also protected.
- Do not let children or pregnant women enter the work area.
- Do not eat, drink or smoke in the work area.
- Dispose of dust particles and any other debris safely.

ozito

ROUTER

850W

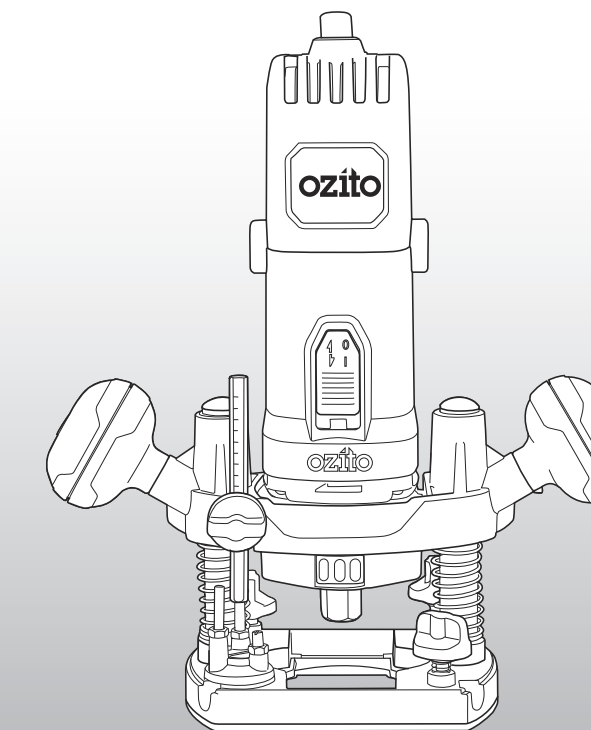
ORIGINAL INSTRUCTIONS

SPECIFICATIONS

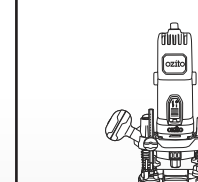
Voltage:	230-240V - 50Hz
Input:	850W
No Load Speed:	11,500-30,000/min
Collet Size:	6.35mm (1/4")
Plunge Depth:	30mm
Turret Stops:	3
Weight:	3.1kg

ozito-diy.co.uk

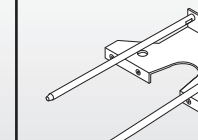
3 YEAR REPLACEMENT WARRANTY



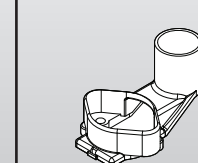
WHAT'S IN THE BOX



Router



Guide Fence



Dust Extraction Adaptor



Template Guide

ROU-5000U

WARRANTY

All of our products undergo strict quality checks to ensure that they reach you in perfect condition. In the unlikely event that your device develops a fault, please contact our service department at the address shown on this guarantee card. You can also contact us by telephone using the customer service number shown. Please note the following terms under which guarantee claims can be made:

1. These warranty terms regulate additional warranty services, which the manufacturer mentioned below promises to buyers of its new products in addition to their statutory guarantee claims are not affected by this guarantee. Our guarantee is free of charge to you.

2. The warranty services only covers defects due to material or manufacturing faults on a product which you have bought from the manufacturer mentioned below are limited to either the rectification of said defects on the product or the replacement of the product, whichever we prefer. Please note that our devices are not designed for use in commercial, trade or professional applications. A guarantee contract will not be created if the device has been used by commercial, trade or industrial business or has been exposed to similar stresses during the guarantee period.

3. The following are not covered by our guarantee:
 - Damage to the device caused by a failure to follow the assembly instructions or due to incorrect installation, a failure to follow the operating instructions (for example connecting it to an incorrect mains voltage or current type) or a failure to follow the maintenance and safety instructions or by exposing the device to abnormal environmental conditions or by lack of care and maintenance.
 - Damage to the device caused by abuse or incorrect use (for example overloading the device or the use of unapproved tools or accessories), ingress of foreign bodies into the device (such as sand, stones or dust, transport damage), the use of force or damage caused by external forces (for example by dropping it).

- Damage to the device or parts of the device caused by normal or natural wear or tear or by normal use of the device.

4. Your Product is guaranteed for a period of 36 months from the original date of purchase and is intended for DIY (Do It Yourself) use only. Lithium Ion batteries and chargers are covered by a 12 month warranty. Warranty excludes consumable parts. Guarantee claims should be submitted before the end of the guarantee period within two weeks of the defect being noticed. No guarantee claims will be accepted after the end of the guarantee period. The original guarantee period remains applicable to the device even if repairs are carried out or parts are replaced. In such cases, the work performed or parts fitted will not result in an extension of the guarantee period, and no new guarantee will become active for the work performed or parts fitted. This also applies if an on-site service is used.

IN ORDER TO MAKE A CLAIM UNDER THIS WARRANTY YOU MUST RETURN THE PRODUCT TO THE PLACE OF PURCHASE WITH YOUR REGISTER RECEIPT.

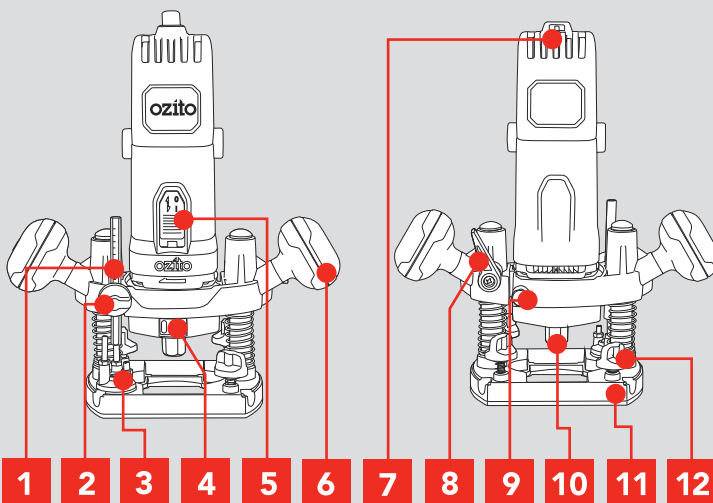
Please refer to the restrictions of this warranty concerning wearing parts, consumables and missing parts as set out in the service information in these operating instructions.

CUSTOMER SERVICE HELPLINE
 GB: 0151 294 4488
 IRL: 1850 882711
Ozito-diy.co.uk

KNOW YOUR PRODUCT

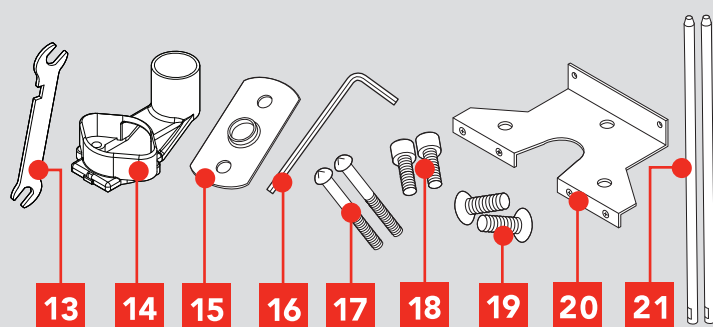
ROUTER

- 1 Depth Rod
- 2 Depth Rod Adjustment Knob
- 3 Turret Stop
- 4 Spindle Lock Button
- 5 Lock On Slide Switch
- 6 Handles
- 7 Variable Speed Dial
- 8 Plunge Lock Lever
- 9 Router Fixing Nut
- 10 Collet Nut
- 11 Base
- 12 Fence Locking Knob



ACCESSORIES

- 13 Spanner
- 14 Dust Extraction Adaptor
- 15 Template Guide
- 16 Hex Key
- 17 Side Handle Screws
- 18 Guide Fence Rod Screws
- 19 Dust Extraction Adaptor Screws
- 20 Guide Fence
- 21 Guide Fence Rods



ONLINE MANUAL

Scan this QR Code with your mobile device to take you to the online manual.

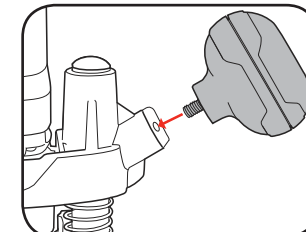
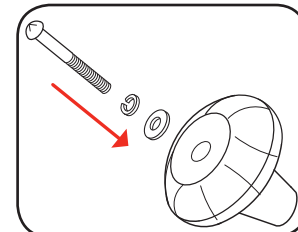


SETUP & PREPARATION

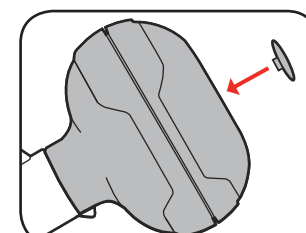
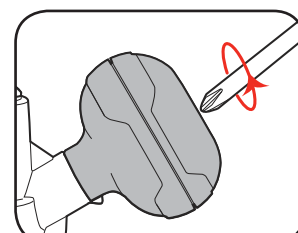
1. ASSEMBLY

Side Handles

1. Put together the side handle assembly: screw, spring washer, washer, side handle.
2. Align the handles to the fixing square on sides of router.



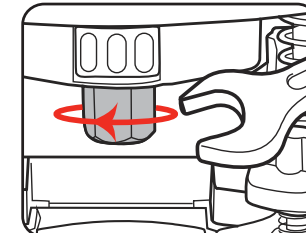
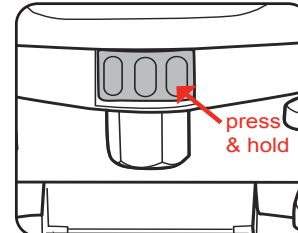
3. Fasten into place by tightening screw with a no 2 Phillips head screwdriver.



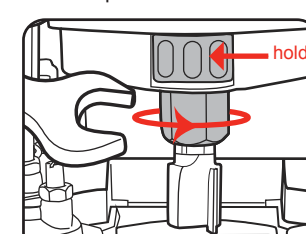
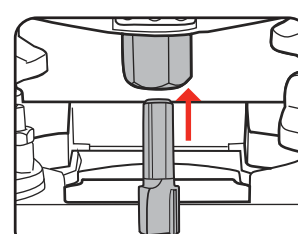
Fitting Router Bits

CAUTION! ENSURE THE SPINDLE STOPS COMPLETELY BEFORE LOCKING.

1. Depress and hold the spindle lock button.
2. Loosen the collet nut with provided spanner. Do not remove completely.



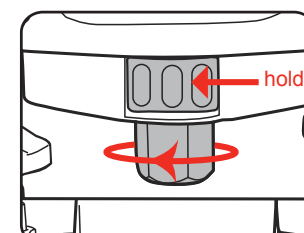
3. Fully insert the router bit into the collet.
4. Tighten collet nut using the spindle lock button and spanner.



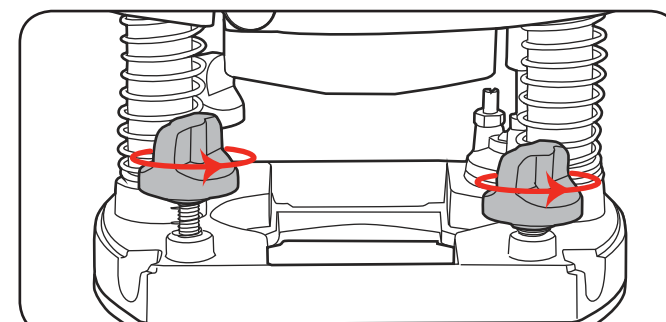
2. DUST EXTRACTION ADAPTOR

The dust extraction adaptor allows you to connect a vacuum cleaner or dust extractor to the router.

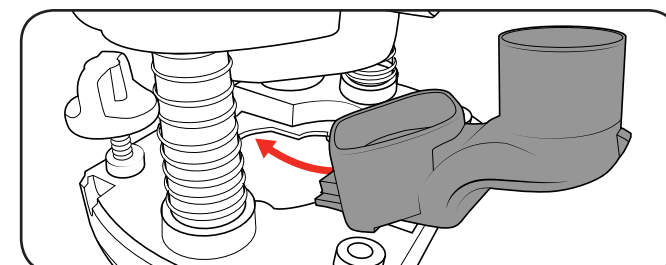
1. Depress spindle lock button and loosen collet nut. Remove the collet nut and collet completely.



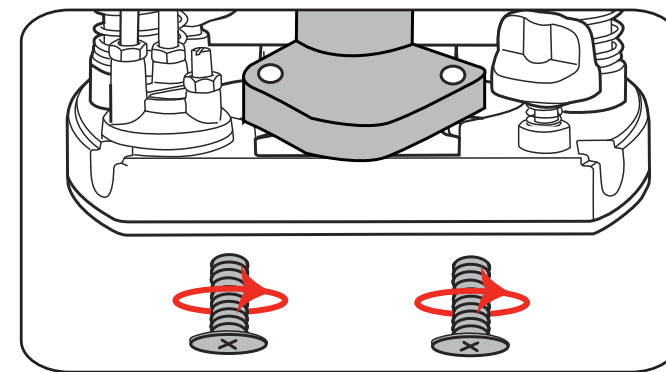
2. Remove the 2 fence locking knobs from the rear of the router.



3. Ensure you are inserting the adaptor from the rear of the router. Align the front of the adaptor with the recess in the base. Tilt the front lip of the adaptor down to clear the spindle and insert into place.



4. Secure with the two dust extraction adaptor screws from the base of the router.

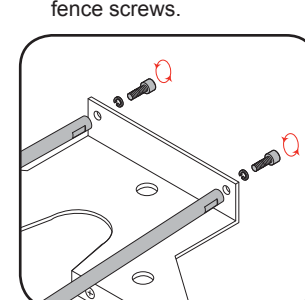
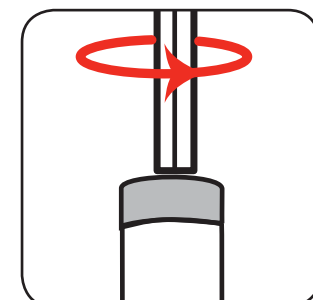


5. Re-assemble the router and replace the router bit.

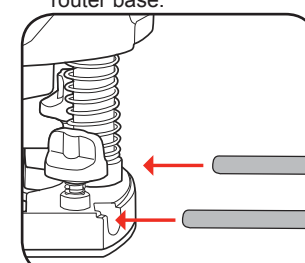
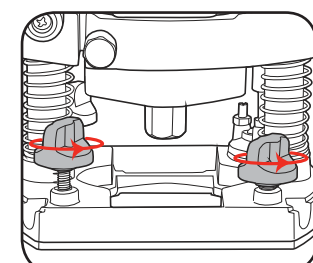
3. GUIDE FENCE & TEMPLATE GUIDE

The guide fence is an effective aid when cutting in a straight line when chamfering or grooving.

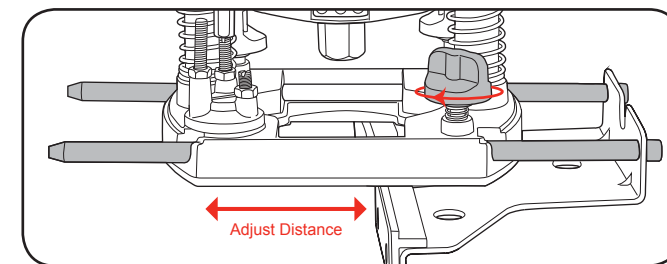
1. Loosen screws on the end of guide rods with hex key.
2. Line the guide rods up with the holes in the guide fence. Secure in place with the fence screws.



3. Loosen guide fence locking knobs.
4. Feed the guide fence rods through the holes in the router base.

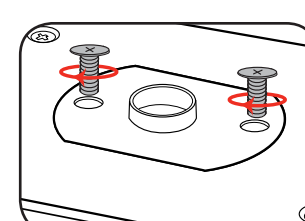
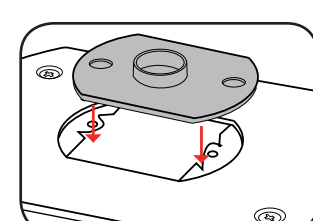


5. Adjust the guide fence until it is the correct distance from the router bit and the cut to be made. Tighten guide fence locking knobs to fasten guide fence in place.



The template guide makes it possible for you to easily cut in the shape of any template. **It must be fitted in conjunction with the dust extraction adaptor.**

1. Fit the template guide to the bottom of the router.
2. Secure using the two dust extraction adaptor screws.



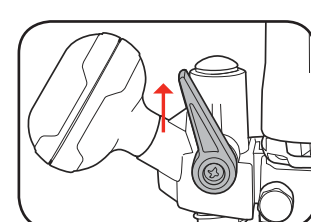
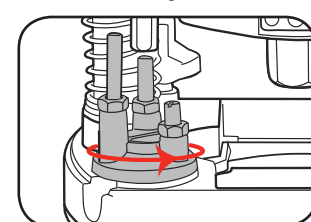
OPERATION

4. ADJUSTING DEPTH OF CUT

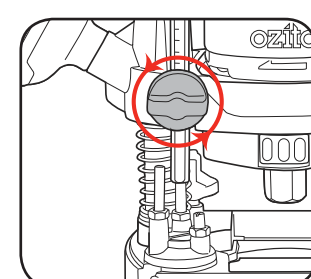
Visually

This method is best suited when routing the outside edge of a workpiece.

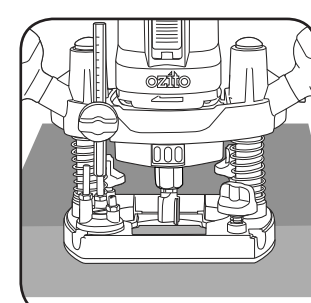
1. Set the turret stop to the lowest setting.
2. Ensure the plunge lock lever is released.



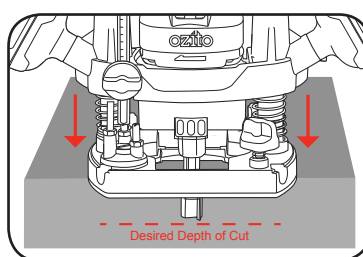
3. Loosen the depth rod adjustment knob until the depth rod drops down to the turret stop.



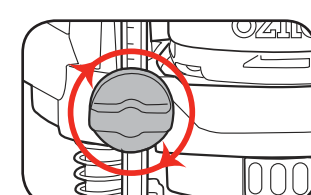
4. Place the router on the workpiece so that the router bit over hangs the work edge.



5. Plunge the router down until the router bit reaches your desired depth of cut.



6. Hold the router in this position while tightening the depth rod adjustment knob.

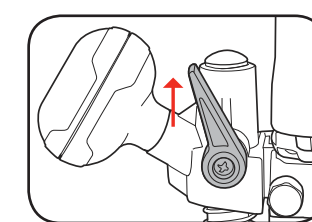
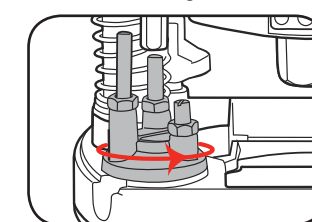


5. ADJUSTING DEPTH OF CUT

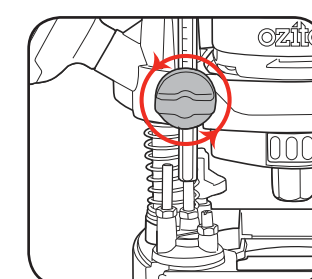
By Measurement

This method is best suited when routing the inside of the workpiece.

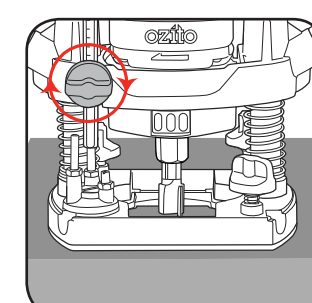
1. Set the turret stop to the desired setting.
2. Ensure the plunge lock lever is released.



3. Loosen the depth rod adjustment knob until the depth rod drops down to the turret stop.

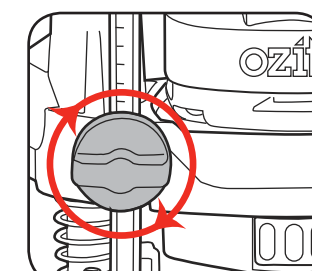
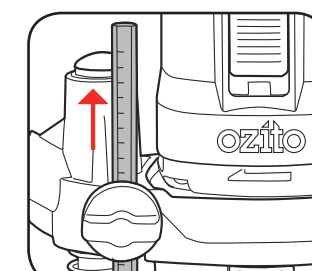


4. Plunge the router down until the router bit touches the workpiece then tighten the depth rod adjustment knob.



Note: Each millimetre you RAISE the depth rod from this position is a millimetre lower that the router will plunge (and cut). For example, if you require a cutting depth of 6mm, you would raise the depth rod 6mm from the position that is set in step 4.

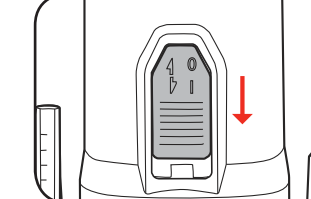
5. Raise the depth rod up until you reach your desired cutting depth.
6. Tighten the depth rod adjustment knob to set this cutting depth.



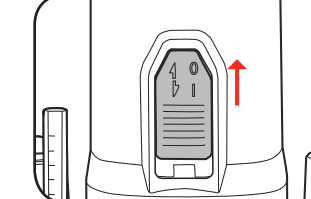
6. CONTROLS

Turning On/Off

To turn on, push the slide on/off switch down toward the "I" position.

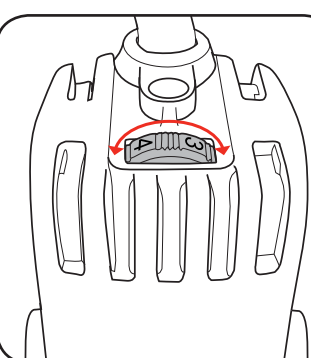


To turn off, press on the rear of the on/off switch so that it slides back to the "0" position.



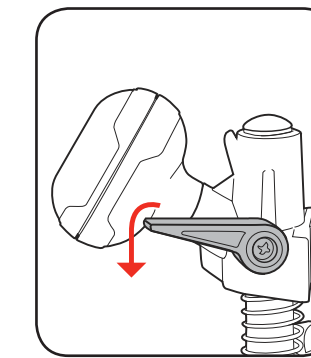
Variable Speed Control

Scroll through the variable speed dial to select the appropriate speed for the working material.

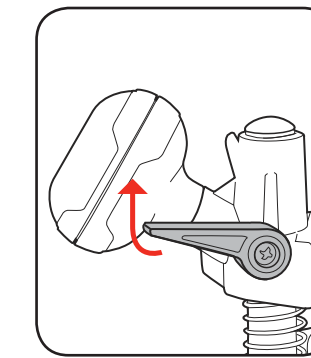


Plunge Lock Lever

To engage the plunge lock, push the lever down.

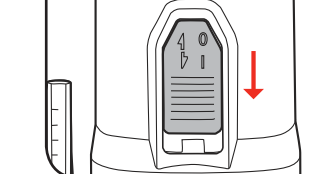
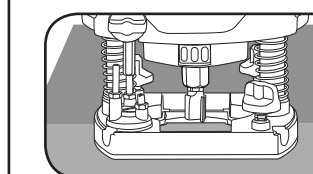


To release the plunge lock mechanism, pull the lever up.

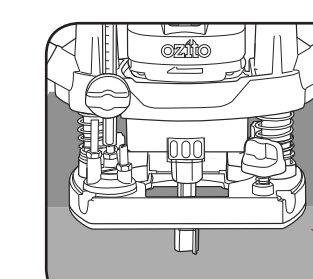


7. MAKING A CUT

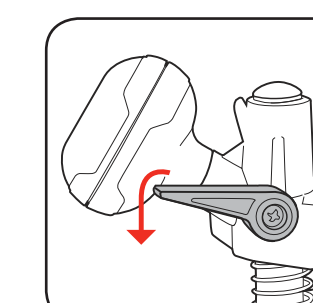
1. Place the base plate on the workpiece, ensuring the bit is not in contact with the material to be cut.
2. Turn the router on and wait for the bit to reach full speed.



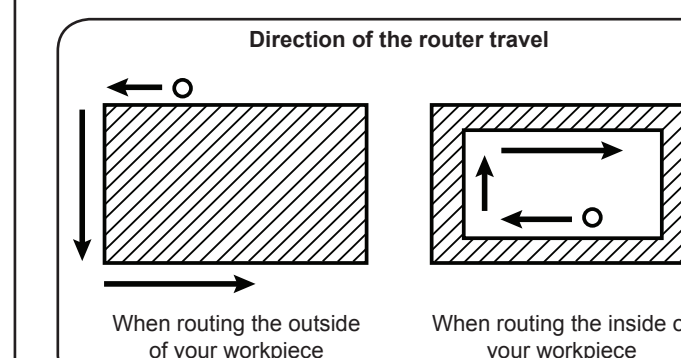
3. Lower the router body into the work piece.



4. Lock the router in position at the desired cutting depth.



5. Follow the below guide to assist you when routing your workpiece.



On very hard woods it may be necessary to make more than one pass at progressive cutting depths until the desired cutting depth is achieved.