



# Einhell

**BLUE**

## BT-LS 810 DB Log Splitter

Art.-No. 34.320.65

### Features

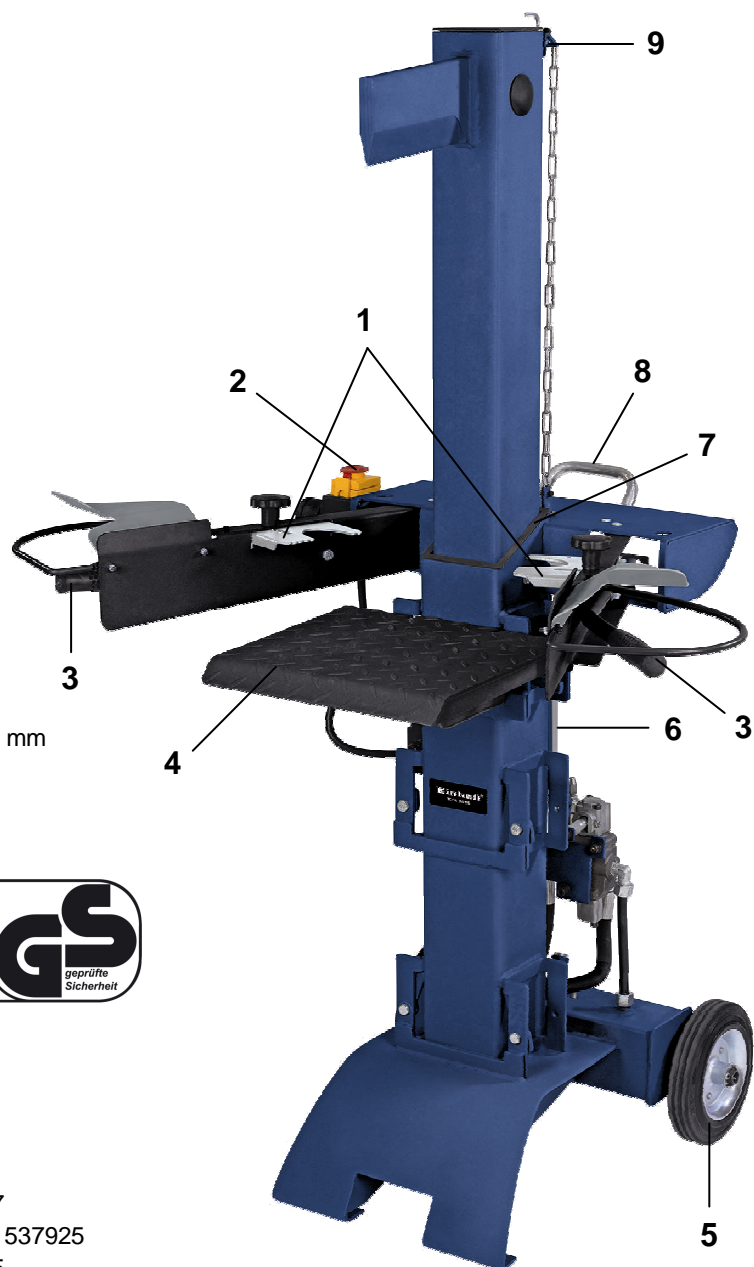
- Adjustable log holding plates (1)
- On/Off switch with no-load actuator (2)
- Two-handed safety switch (3)
- 3-fold height adjustable working table made of checkered sheet steel (4)
- Stable wheels for easy transport (5)
- Powerful 400 V engine (6)
- Plastic slide guides between splitting column and guide tube (7)
- Transport handle (8)
- Adjustable splitting wedge height (9)

### Technical data

- Engine: 400 V ~ 50 Hz
- Power: 3.6 kW
- Splitting force: 8 t
- Cylinder stroke: 480 mm
- Log length: 100 – 1,040 mm
- Log diameter: 50 – 400 mm
- Filling quantity oil tank: 4 l
- Product weight: 102.0 kg

### Logistic Data

- Net weight: 102.9 kg
- Gross weight: 115.0 kg
- Packing dimensions: 550 x 550 x 1,150 mm
- Bar code: 4006825 576863
- Sales unit: 1 pc



### As special accessories available:

- **Cross knife** Art.-No.: 34.320.87  
Bar code: 4006825 537925
- **Broadening knife** Art.-No.: 34.320.85  
Bar code: 4006825 537918