

HERKULES®



The radial tile cutting machine can be mounted quickly on the serial type support stand and is therefore suitable for mobile as well as stationary service.

With its unit one can cut wall- and floor tile, split tiles etc. Angle and double mitre cuts are possible and also jolly cuts.

The diamond cutting disc is cooled with the integrated pump for cooling liquids and an almost dust free operation is possible.

The tile cutting machine is equipped with a LED-light, which illuminates the work area perfectly. The LED-light can be removed from the machine and used as a pocket lamp or a spirit level.



FSG 2000 LED Radial Tile Cutting Machine with LED-light

Available as special accessory:

Diamond cutting disc:
Ø 200 x Ø 25,4 mm

Art.-No.: 43.011.75

Ident-No.: 01036

Bar-Code: 4006825 43436



Logistic Information:

Type: FSG 2000 LED
Art.-No.: 43.012.57
Ident-No.: 01016
Bar Code: 4006825 532685
Packaging: 890 x 490 x 370 mm

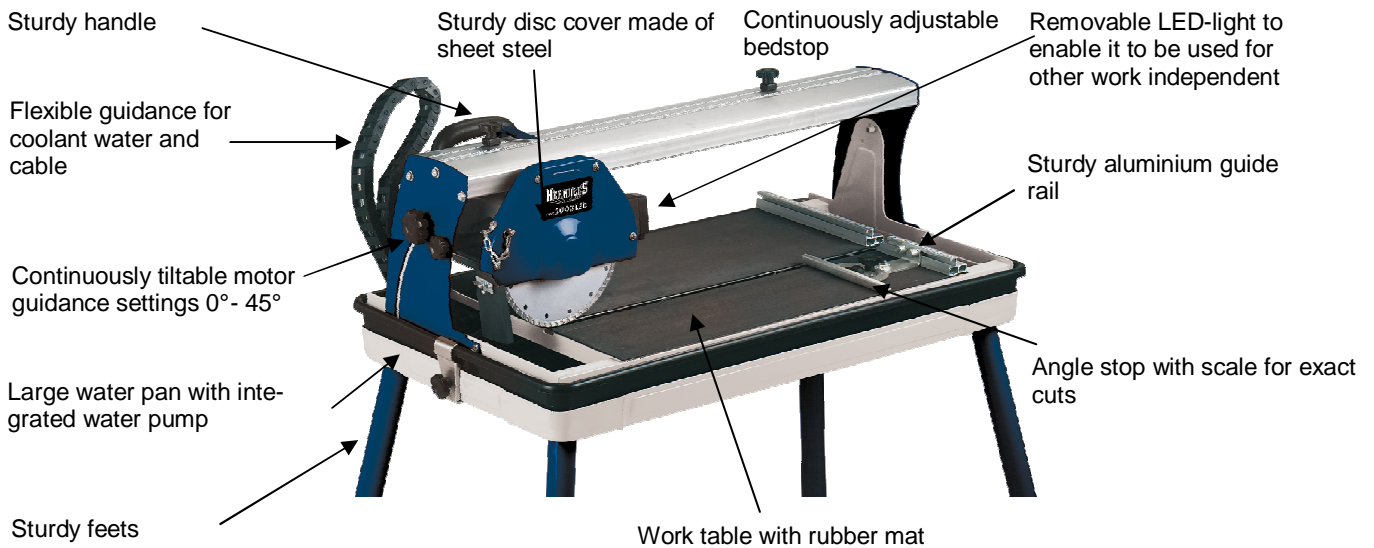
Sales unit: 1 pc
20°: 168 pcs
40°: 340 pcs
40° HC: -- pcs
Weight: 33.5 kgs (gross)



Abbildungen können nicht im Serien-Lieferumfang enthaltenes Zubehör darstellen / Illustrations can contain accessories, which are not included in standard extent of delivery. Abbildungen ähnlich, produktionsbedingte Abweichung vorbehalten / Illustration similar (in design), production-wise modifications reserved.

File: S:\shared-pool\Product-Dokumentation\T-Produktbeschreibung\30_n0\Originale_Englisch_PA04\4301257_01016.doc

Erstelldatum/create date: 20.12.2006 09:23:00Aktualisiert/up dated: 11.01.2007



Continuously tiltable motor guidance settings 0° - 45°



Angle stop with scale for exact cuts



RCD plug for machine safety

Features:

- Removable LED-light to enable it to be used for other work independent of the machine
- RCD plug for machine safety
- Motor setting 4-fold ball bearings
- Sturdy feet
- Sturdy aluminium guide rail
- Angle stop with scale for exact cuts
- Work table with rubber mat
- Large water pan guaranteed dust free working
- Diamond disc
- Sturdy disc cover made of sheet steel
- Integrated water pump

Technical Data:

- Mains: 230 V ~ 50 Hz
- Power: 800 watts
- Idle speed n_0 : 3,000 min⁻¹
- Working table: 570 x 380 mm
- Working height: 700 mm
- Cutting depth max.: 90°: 30 mm / 45°: 25 mm
- Cutting length max.: 520 mm
- Mitre cuts: 0° - 45°
- Diamond disc: Ø 200 x Ø 25.4 mm
- Insulation class: IP 54

Logistic Information:

Type:	FSG 2000 LED	Tool:	Radial Tile Cutting Machine
Art.-No.:	43.012.57	Sales unit:	1 pc
Ident-No.:	01016	20°:	168 pcs
Bar Code:	4006825 532685	40°:	340 pcs
Packaging:	890 x 490 x 370 mm	40° HC:	-- pcs
		Weight:	33.5 kgs (gross)

