

**Einhell®**

**TE-CL 18 Li**

EN Original operating instructions  
Cordless LED Light

SP Manual de instrucciones original  
Linterna LED inalámbrica

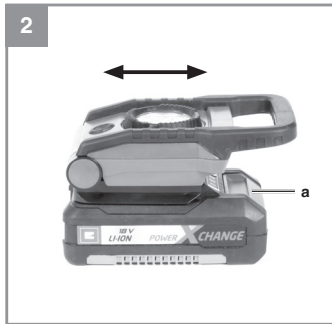
FR Mode d'emploi d'origine  
Lampe sans fil LED

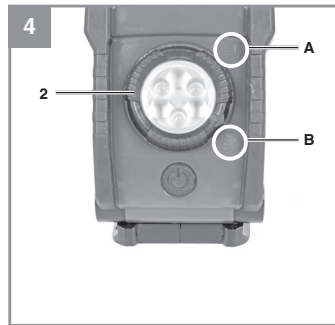


7 

Art.-Nr.: 4514109

I.-Nr.: 11018





**Table of contents**

1. Safety information
2. Layout and items supplied
3. Technical data
4. Operation
5. Cleaning, maintenance and ordering spare parts
6. Disposal and recycling
7. Storage



**Danger!** - Read the operating instructions to reduce the risk of injury



**Caution!** Do not look into the light beam.



Store the batteries only in dry rooms with an ambient temperature of 50°F to 104°F (+10°C to +40°C).  
Place only fully charged batteries in storage (charged at least 40%).

**DANGER!**

When using the equipment, a number of safety precautions must be observed to avoid injuries and damage. Please read the complete operating instructions and safety information with due care. Keep these operating instructions in a safe place so that the information is available at all times. If you give the equipment to any other person, hand over these operating instructions and the safety information as well. We cannot accept any liability for damage or accidents which arise due to failure to follow these instructions and the safety information.

**1. Safety information****DANGER!**

**Read all the safety information and instructions.** Failure to adhere to the safety information and instructions set out below may result in electric shock, fire and/or serious injury. **Keep all the safety information and instructions in a safe place for future use.**

**General safety information for power tools**

The term „power tool“ used in the safety regulations refers to power tools operated from the mains power supply (with a power cable) and to battery operated power tools (without a power cable).

**1) Work area safety**

- a) **Keep work area clean and well lit.** *Cluttered and dark areas invite accidents.*
- b) **Do not operate power tools in explosive atmospheres, such as in the presence of flammable liquids, gases or dust.** *Power tools create sparks which may ignite the dust or fumes.*
- c) **Keep children and bystanders away while operating a power tool.** *Distractions can cause you to lose control.*

**2) Electrical safety**

- a) **Power tool plugs must match the outlet. Never modify the plug in any way. Do not use any adapter plugs with earthed (grounded) power tools.** *Unmodified plugs and matching outlets will reduce risk of electric shock.*
- b) **Avoid body contact with earthed or grounded surfaces such as pipes, radiators, ranges and refrigerators.** *There*

*is an increased risk of electric shock if your body is earthed or grounded.*

- c) **Do not expose power tools to rain or wet conditions.** *Water entering a power tool will increase the risk of electric shock.*
  - d) **Do not abuse the cord. Never use the cord for carrying, pulling or unplugging the power tool. Keep cord away from heat, oil, sharp edges or moving parts.** *Damaged or entangled cords increase the risk of electric shock.*
  - e) **When operating a power tool outdoors, use an extension cord suitable for outdoor use.** *Use of a cord suitable for outdoor use reduces the risk of electric shock.*
  - f) **If operating a power tools in a damp location is unavoidable, use a residual current device (RCD) protected supply.** *Use of an RCD reduces the risk of electric shock.*
- 3) Personal safety**
- a) **Stay alert, watch what you are doing and use common sense when operating a power tool. Do not use a power tool while you are tired or under the influence of drugs, alcohol or medication.** *A moment of inattention while operating power tools may result in serious personal injury.*
  - b) **Use safety equipment. Always wear eye protection.** *Safety equipment such as dust mask, non-skid safety shoes, hard hat, or hearing protection used for appropriate conditions will reduce personal injuries.*
  - c) **Avoid accidental starting. Ensure the switch is in the off position before plugging in.** *Carrying power tools with your finger on the switch or plugging in power tools that have the switch on invites accidents.*
  - d) **Remove any adjusting key or wrench before turning the power tool on.** *A wrench or a key left attached to a rotating part of the power tool may result in personal injury.*
  - e) **Do not overreach. Keep proper footing and balance at all times.** *This enables better control of the power tool in unexpected situations.*
  - f) **Dress properly. Do not wear loose clothing or jewellery. Keep your hair, clothing and gloves away from moving parts.** *Loose clothes, jewellery or long hair can be caught in moving parts.*

- g) **If devices are provided for the connection of dust extraction and collection facilities, ensure these are connected and properly used.** *Use of these devices can reduce dust related hazards.*
- 4) **Power tool use and care**
- a) **Do not force the power tool. Use the correct power tool for your application.** *The correct power tool will do the job better and safer at the rate for which it was designed.*
- b) **Do not use the power tool if the switch does not turn it on and off.** *Any power tool that cannot be controlled with the switch is dangerous and must be repaired.*
- c) **Disconnect the plug from the power source before making any adjustments, changing accessories, or storing power tools.** *Such preventive safety measures reduce the risk of starting the power tool accidentally.*
- d) **Store idle power tools out of the reach of children and do not allow persons unfamiliar with the power tool or these instructions to operate the power tool.** *Power tools are dangerous in the hands of untrained users.*
- e) **Maintain power tools. Check for misalignment or binding of moving parts, breakage of parts and any other condition that may affect the power tools operation. If damaged, have the power tool repaired before use.** *Many accidents are caused by poorly maintained power tools.*
- f) **Keep cutting tools sharp and clean.** *Properly maintained cutting tools with sharp cutting edges are less likely to bind and are easier to control.*
- g) **Use the power tool, accessories and tool bits etc., in accordance with these instructions and in the manner intended for the particular type of power tool, taking into account the working conditions and the work to be performed.** *Use of the power tool for operations different from intended could result in a hazardous situation.*
- 5) **Battery tool use and care**
- a) **Recharge only with the charger specified by the manufacturer.** *A charger that is suitable for one type of battery pack may create a risk of fire when used with another battery pack.*
- b) **Use power tools only with specifically designated battery packs.** *Use of any other battery packs may create a risk of injury and fire.*
- c) **When battery pack is not in use, keep it away from other metal objects, like paper clips, coins, keys, nails, screws or other small metal objects that can make a connection from one terminal to another.** *Shorting the battery terminals together may cause burns or a fire.*
- d) **Under abusive conditions, liquid may be ejected from the battery; avoid contact. If contact accidentally occurs, flush with water. If liquid contacts eyes, additionally seek medical help.** *Liquid ejected from the battery may cause irritation or burns.*
- 6) **Service**
- a) **Have your power tool serviced by a qualified repair person using only identical replacement parts.** *This will ensure that the safety of the power tool is maintained.*
- Additional safety instructions**
- To reduce the risk of injury, close supervision is necessary when a product is used near children.
  - Do not contact hot parts.
  - Only use attachments recommended or sold by the manufacturer.
  - Do not use in the rain.
  - To reduce the risk of electrical shock, do not put in water or other liquid. Do not place or store product where it can fall or be pulled into a tub or sink.
- WARNING:**  
To reduce the risk of injury, do not stare at operating lamp. Serious eye injury could occur.
- WARNING:**  
Do not use magnet for horizontal overhead mounting.
- WARNING:**  
The lens gets very hot during use. To reduce the risk of burns, do not touch hot lens.

To reduce the risk of fire, keep away from combustible materials while in operation.

**OPERATING INSTRUCTIONS**  
**USER-MAINTENANCE INSTRUCTIONS**  
 Proper normal maintenance and use method.  
 Other warning that will not lead to misuse.

We pay a great deal of attention to the design of every battery pack to ensure that we supply you with batteries which feature maximum power density, durability and safety. The battery cells have a wide range of safety devices. Each individual cell is initially formatted and its electrical characteristic curves are recorded. These data are then used exclusively to be able to assemble the best possible battery packs. **Despite all the safety precautions, caution must always be exercised when handling batteries. The following points must be obeyed at all times to ensure safe use. Safe use can only be guaranteed if undamaged cells are used. Incorrect handling can cause cell damage.**

**Caution!** Analyses confirm that incorrect use and poor care are the main causes of the damage caused by high performance batteries.

#### Information about the battery

1. The battery pack supplied with your cordless tool is not charged. The battery pack has to be charged before you use the tool for the first time.
2. For optimum battery performance avoid low discharge cycles. Charge the battery pack frequently.
3. Store the battery pack in a cool place, ideally at 59°F (15°C) and charged to at least 40%.
4. Lithium-ion batteries are subject to a natural ageing process. The battery pack must be replaced at the latest when its capacity falls to just 80% of its capacity when new. Weakened cells in an aged battery pack are no longer capable of meeting the high power requirements and therefore pose a safety risk.
5. Do not throw battery packs into an open fire. There is a risk of explosion!
6. Do not ignite the battery pack or expose it to fire.
7. **Do not exhaustively discharge batteries.** Exhaustive discharge will damage the battery cells. The most common cause of deep discharge is lengthy storage or non-use of partly discharged batteries. Stop working as

soon as the performance of the battery falls noticeably or the electronic protection system triggers. Place the battery pack in storage only after it has been fully charged.

8. **Protect batteries and the tool from overloads.** Overloads will quickly result in overheating and cell damage inside the battery housing without this overheating actually being apparent externally.
9. **Avoid damage and shocks.** Replace batteries which have been dropped from a height of more than one meter or which have been exposed to violent shocks without delay, even if the housing of the battery pack appears to be undamaged. The battery cells inside the battery may have suffered serious damage. In this respect, please also read the waste disposal information.
10. If the battery pack suffers overloading and overheating, the integrated protective cut-off will switch off the equipment for safety reasons. Caution! Do not press the ON/OFF switch any more if the protective cut-off has actuated. This may damage the battery.
11. Use only original battery packs. The use of other batteries may result in injuries, explosion and a fire risk.

#### Information on chargers and the charging process

1. Please check the data marked on the rating plate of the battery charger. Be sure to connect the battery charger to a power supply with the voltage marked on the rating plate. Never connect it to a different mains voltage.
2. Protect the battery charger and its cable from damage and sharp edges. Have damaged cables repaired without delay by a qualified electrician.
3. Keep the battery charger, batteries and the cordless tool out of children's reach.
4. Do not use damaged battery chargers.
5. Do not use the supplied battery charger to charge other cordless tools.
6. In heavy use the battery pack will become warm. Allow the battery pack to cool to room temperature before commencing with the charging.
7. **Do not over-charge batteries.** Do not exceed the maximum charging times. These charging times apply only to discharged batteries. Frequent insertion of a charged or partly charged battery pack will result in over-charging and cell damage. Do not leave batteries in the charger for days on end.



8. **Never use or charge batteries if you suspect that the last time they were charged was more than 12 months previously.** There is a high probability that the battery pack has already suffered dangerous damage (exhaustive discharge).
9. Charging batteries at a temperature below 50°F (10°C) will cause chemical damage to the cell and may cause a fire.
10. Do not use batteries which have heated during the charging process, as the battery cells may have suffered dangerous damage.
11. Do not use batteries which have suffered curvature or deformation during the charging process or which show other non-typical symptoms (gassing, hissing, cracking,...)
12. Never fully discharge the battery pack (recommended depth of discharge max. 80%) A complete discharge of the battery pack will lead to premature ageing of the battery cells.
13. Never charge the batteries unsupervised.

#### Protection from environmental influences

1. Wear suitable work clothes. Wear safety goggles.
2. **Protect your cordless tool and the battery charger from moisture and rain.** Moisture and rain can cause dangerous cell damage.
3. Do not use the cordless tool or the battery charger near vapors and inflammable liquids.
4. Use the battery charger and cordless tools only in dry conditions and an ambient temperature of 50°F to 104°F (10°C to 40°C).
5. Do not keep the battery charger in places where the temperature is liable to reach over 40°C. In particular, do not leave the battery charger in a car that is parked in the sunshine.
6. **Protect batteries from overheating.** Overloads, over-charging and exposure to direct sunlight will result in overheating and cell damage. Never charge or work with batteries which have been overheated – replace them immediately if possible.
7. **Storage of batteries, battery chargers and cordless tools.** Store the charger and your cordless tool only in dry places with an ambient temperature of 50°F to 104°F (10°C to 40°C). Store the lithium-ion rechargeable battery in a cool and dry place at 50°F to 68°F (10°C to 20°C). Protect them from humidity and direct sunlight! Place only fully charged batteries in storage (charged at least 40%).
8. Prevent the lithium-ion battery pack from freezing. Battery packs which were stored

below 32°F (0°C) for more than 60 minutes must be disposed of.

9. When handling batteries beware of electrostatic charge: Electrostatic discharges cause damage of the electronic protection system and the battery cells. Avoid electrostatic charging and never touch the battery poles.

#### Battery Caution + Disposal

##### Disposal

Should your appliance need replacement after extended use, do not dispose of it with the household refuse, but in an environmentally safe way.



Waste produced by electrical machine items should not be handled like normal household rubbish. Please recycle where recycle facilities exist. Check with your local authority or retailer for recycling advice.

Always dispose of your battery pack according to federal, state, and local regulations. Contact a recycling agency in your area for recycling locations.

**⚠ CAUTION!** Even discharged battery packs contain some energy. Before disposing, use electrical tape to cover the terminals to prevent the battery pack from shorting, which could cause a fire or explosion.

**⚠ WARNING!** To reduce the risk of injury or explosion, never burn or incinerate a battery pack even if it is damaged, dead, or completely discharged. When burned, toxic fumes and materials are emitted into the surrounding atmosphere.

1. Batteries vary according to device. Consult your manual for specific information.
2. Install only new batteries of the same type in your product (where applicable).
3. Failure to insert batteries in the correct polarity, as indicated in the battery compartment or manual, may shorten the life of the batteries or cause batteries to leak.
4. Do not mix old and new batteries.
5. Do not mix Alkaline, Standard (Carbon-Zinc), or Rechargeable (Nickel Cadmium, Nickel Metal Hydride, or Lithium-Ion) batteries.
6. Do not dispose of batteries in fire.
7. Batteries should be recycled or disposed of as per state and local guidelines.

**When shipping or disposing of batteries and cordless tools, always ensure that they are packed individually in plastic bags to prevent short circuits and fires.**

**Keep this safety information in a safe place.**

## 2. Layout and items supplied

### 2.1 Layout (Fig. 1)

1. On/Off switch
2. Setting wheel

### 2.2 Items supplied

Please check that the article is complete as specified in the scope of delivery. If parts are missing, please contact our service center or the store where you made your purchase at the latest within 5 work days after purchasing the article and upon presentation of a valid bill of purchase.

- Open the packaging and take out the equipment with care.
- Remove the packaging material and any packaging and/or transportation braces (if present).
- Check to see if all the items are supplied.
- Inspect the equipment and accessories for transport damage.
- If possible, keep the packaging until the end of the guarantee period.

### Danger!

**The equipment and packaging material are not toys. Do not let children play with plastic bags, plastic sheets and small parts. There is a risk of choking and suffocating!**

- Battery-powered lamp
- Original operating instructions
- Safety information

### Separately available accessories

18V 1.5Ah P-X-C lithium-ion battery  
 18V 2.0Ah P-X-C lithium-ion battery  
 18V 2.6Ah P-X-C Plus lithium-ion battery  
 18V 3.0Ah P-X-C lithium-ion battery  
 18V 4.0Ah P-X-C lithium-ion battery  
 18V 5.2Ah P-X-C Plus lithium-ion battery  
 18V P-X-C charger

Explore battery + charger options at [einhellUSA.com](http://einhellUSA.com)

## 3. Technical data

Power supply: ..... 18 V   
 Number of LEDs: ..... 3  
 Lumens: ..... 270 lm  
 Weight: ..... 0.66 lbs (0.3 kg)

## 4. Operation

### 4.1 Mounting on the battery (Fig. 2)

- Push the lamp onto the battery until it snaps into place.
- To separate the battery again, press the battery's pushlock button (a) and pull the lamp off the battery.

### 4.2 On/Off switch (Fig. 1/Item 1)

#### Switching on:

Press the On/Off switch (1).

#### Switching off:

Press the On/Off switch (1) again.

### 4.3 Setting the lighting position (Fig. 3)

You can set any lighting position by moving the lamp head (see Fig. 3).

### 4.4 Setting the angle of diffusion (Fig. 4/Item 2)

You can set the angle of diffusion by turning the setting wheel (2) to one of 2 positions.

#### Position A:

Small angle of diffusion  
 --> Small area, high level of luminance

#### Position B:

Large angle of diffusion  
 --> Large area, low level of luminance

## 5. Cleaning, maintenance and ordering spare parts

### HAZARD!

Always take the battery out of the equipment before starting any cleaning work.

### 5.1 Cleaning

- Keep all safety devices, air vents and the motor housing free of dirt and dust as far as possible. Wipe the equipment with a clean cloth or blow it down with compressed air at low pressure.
- We recommend cleaning the equipment immediately each time after use.
- Clean the equipment regularly with a damp cloth and some soft soap. Do not use cleaning agents or solvents; these may be aggressive to the plastic parts in the equipment. Ensure that no water can get into the interior of the equipment. The ingress of water into an electric power tool increases the risk of an electric shock.

### 5.2 Maintenance

There are no other parts inside the equipment which require maintenance.

### 5.3 Ordering replacement parts: Service

1. **If your power tool requires service, contact an authorized Einhell USA dealer or call the Einhell USA customer service center at 1-866-EINHELL (1-866-346-4355).** Only identical replacement parts should be utilized for repairs. This will ensure that the safety of the power tool is maintained.
2. **If the battery charger cable is damaged, it must be immediately replaced to avoid a hazard.** Contact the Einhell USA® customer service center at 1-866-EINHELL (1-866-346-4355) for assistance.

## 6. Disposal and recycling

The equipment is supplied in packaging to prevent it from being damaged in transit. The raw materials in this packaging can be reused or recycled. The equipment and its accessories are made of various types of material, such as metal and plastic. Never place defective equipment in your household refuse. The equipment should be taken to a suitable collection center for proper disposal. If you do not know the whereabouts of such a collection point, you should ask in your local council offices.

## 7. Storage

Store the equipment and its accessories out of children's reach in a dark and dry place at above freezing temperature. The ideal storage temperature is between 41°F and 86°F (5°C and 30°C). Keep the electric tool in its original packaging.

The reprinting or reproduction by any other means, in whole or in part, of documentation and papers accompanying the products is strictly subject to the express consent of iSC GmbH.

Subject to technical changes

# Einhell

## EINHELL CUSTOMER PROMISE

**QUALITY COMES FIRST.** The Einhell name is synonymous with high-performance tools and high-quality European craftsmanship. From cordless screwdrivers to electric lawn mowers, Einhell USA designs and develops state-of-the-art handheld power and garden tools for DIY enthusiasts, hobby gardeners, and handymen.

Einhell USA's quality assurance and engineering teams ensure products are subjected to stringent quality and performance tests. We know that sometimes tough tools go through tough times. In the event that you should experience any issue with your product, you have our commitment that we'll do everything we can to get you back a tool that's ready to work as hard as you do.

### PRODUCT REGISTRATION:

Einhell strongly encourages you to register your purchase. You can register online at **EinhellUSA.com**. Failure to register your product purchase will not diminish your warranty rights. However, registering your purchase will allow Einhell to better serve you with any of your customer service needs.

### WHAT IS COVERED?

Einhell warrants to the owner that if this Machine fails within 2 years from the date of purchase due to a defect in material or workmanship or as a result of normal wear and tear from ordinary household use, Einhell will send a replacement part or product, as needed, free of charge and with free shipping to the original purchaser. If, in Einhell's sole discretion, the failed Machine cannot be repaired with a part, Einhell will elect to either (A) send a new Machine at no charge and with free shipping or (B) refund the full purchase price to the owner.

### WHO CAN SEEK WARRANTY COVERAGE?

This Warranty is extended by Einhell to the owner of this Machine (a "Machine" consists of a product powered by a motor) for residential and personal household use only. This warranty is limited to thirty (30) days from the start of original purchase of any EINHELL brand product that is used for commercial purposes, or any other income-producing purpose. Should ownership of this machine change during the coverage period, please update the Machine's owner information at **EinhellUSA.com**

### WHAT IS NOT COVERED?

This warranty does not cover any product that has been subject to misuse, neglect, negligence, or accident, or that has been operated in any way contrary to the operating instructions as specified in the operator's manual. This Warranty does not cover cosmetic changes that do not affect performance.

This Warranty is only valid if the Machine is used and maintained in accordance with the instructions, warnings and safeguards contained in the owner's manual. Einhell will not be responsible for the cost of any unauthorized warranty repairs. This warranty does not cover any cost or expense incurred by the purchaser in providing substitute equipment or service during reasonable periods of malfunction or non-use of this product while waiting for a replacement part or unit under this warranty.

Wearing parts like belts, augers, chains and tines are not covered under this warranty, and can be purchased at **EinhellUSA.com** or by calling **1-866-EINHELL (1-866-346-4355)**. Batteries are covered in full for 90-days from the date of purchase.

Repair, replacement or refund of the purchase price are the exclusive remedies of purchaser and the sole liability of Einhell under this warranty. No employee or representative of Einhell is authorized to make any additional warranty or any modification to this warranty which may be binding upon Einhell. Accordingly, purchaser should not rely upon any additional statements made by any employee or representative of Einhell. In no event, whether based on contract, indemnity, warranty, tort (including negligence), strict liability or otherwise, shall Einhell be liable for any special, indirect, incidental, or consequential damages, including, without limitation, loss of profit or revenue.

Some states do not allow limits on warranties. In such states, the above limitations may not apply to you.

Outside the USA and Canada, other warranties may apply.

**Índice de contenidos**

1. Instrucciones de seguridad
2. Descripción del aparato y volumen de entrega
3. Características técnicas
4. Manejo
5. Mantenimiento, limpieza y pedido de piezas de repuesto
6. Eliminación y reciclaje
7. Almacenamiento



**Peligro!** - Leer el manual de instrucciones para reducir cualquier riesgo de sufrir daños



**¡Cuidado! No mirar directamente a la luz.**



Almacenamiento de las baterías sólo en espacios secos con una temperatura ambiente de 50°F to 104°F (+10°C to +40°C). Guardar las baterías únicamente cuando estén cargadas (mín. al 40%).

**Peligro!**

Al usar aparatos es preciso tener en cuenta una serie de medidas de seguridad para evitar lesiones o daños. Por este motivo, es preciso leer atentamente este manual de instrucciones/advertencias de seguridad. Guardar esta información cuidadosamente para poder consultarla en cualquier momento. En caso de entregar el aparato a terceras personas, será preciso entregarles, asimismo, el manual de instrucciones/advertencias de seguridad. No nos hacemos responsables de accidentes o daños provocados por no tener en cuenta este manual y las instrucciones de seguridad.

**1. Instrucciones de seguridad****Peligro!**

**Lea todas las instrucciones de seguridad e indicaciones.** El incumplimiento de dichas instrucciones e indicaciones puede provocar descargas, incendios y/o daños graves. **Guarde todas las instrucciones de seguridad e indicaciones para posibles consultas posteriores.**

**Instrucciones generales de seguridad para herramientas eléctricas**

El término de "herramienta eléctrica" que se usa en las instrucciones de seguridad se refiere a las herramientas que funcionan en red (con cable de conexión) y con batería (sin cable de conexión).

**1. Seguridad en el lugar de trabajo**

- a) **Mantener limpia y bien iluminada la zona de trabajo.** *Las zonas de trabajo desordenadas o sin luz pueden conllevar accidentes.*
- b) **No trabajar con este aparato eléctrico en un entorno explosivo en el que se hallen líquidos, gases o polvos inflamables.** *Las herramientas eléctricas generan chispas que pueden inflamar el polvo o los vapores.*
- c) **Mantener alejados a niños y a otras personas fuera del alcance de la herramienta eléctrica.** *Las distracciones pueden hacer perder el control sobre el aparato.*

**2. Seguridad eléctrica**

- a) **El enchufe del aparato eléctrico debe ser el adecuado para la toma de corriente. El enchufe no debe ser modificado de ningún modo. No emplear adaptadores de enchufe con aparatos eléctricos puestos a tierra.** *Los enchufes sin modificar y*

*las tomas de corriente adecuadas reducen el riesgo de una descarga eléctrica.*

- b) **Evitar el contacto corporal con superficies con toma de tierra como tubos, calefacciones, fogones y frigoríficos.** *Existe un gran riesgo de descarga eléctrica si su cuerpo se halla puesto a tierra.*
  - c) **Mantener los aparatos eléctricos alejados de la lluvia o la humedad.** *Si entra agua en el aparato eléctrico existirá mayor riesgo de una descarga eléctrica.*
  - d) **No utilizar el cable de forma inadecuada, no utilizarlo para transportar el aparato, colgarlo o retirarlo de la toma de corriente. Mantener el cable alejado del calor, aceites, cantos afilados o partes del aparato en movimiento.** *Los cables dañados o mal enrollados aumentan el riesgo de descarga eléctrica.*
  - e) **Si se trabaja con una herramienta eléctrica al aire libre, emplear sólo alargaderas que también sean adecuadas para el exterior.** *El empleo de una alargadera apropiada para trabajos en el exterior reduce el riesgo de descarga eléctrica.*
  - f) **Si no se puede evitar tener que utilizar la herramienta eléctrica en un entorno húmedo, utilizar un dispositivo de protección diferencial.** *El uso de un dispositivo de protección diferencial reduce el riesgo de sufrir una descarga eléctrica.*
- 3. Seguridad de personas**
- a) **Prestar atención al trabajo, comprobar lo que se está haciendo y proceder de forma razonable durante el trabajo de una herramienta eléctrica. No emplear la herramienta eléctrica si se está cansado o bajo la influencia de drogas, alcohol o medicamentos.** *Una mínima falta de atención durante el uso de la herramienta eléctrica puede causar lesiones graves.*
  - b) **Llevar equipamiento de protección personal y siempre unas gafas protectoras.** *El hecho de llevar equipamiento de protección personal como mascarilla, calzado de seguridad antideslizante, casco de protección o protección para los oídos, según el tipo y uso de la herramienta eléctrica, reduce el riesgo de sufrir lesiones.*
  - c) **Evitar una puesta en marcha no intencionada. Asegurarse de que la herramienta está desconectada antes de enchufarla a la red eléctrica y/o a la batería, tomarla en la mano o transportarla.** *Peligro de sufrir*

*accidentes si la herramienta eléctrica se traslada pulsando el interruptor o si se enchufa a la toma de corriente cuando está encendida.*

- d) **Retirar las herramientas de ajuste o la llave antes de conectar la herramienta eléctrica.** *Una herramienta o llave que se haya olvidado en partes giratorias del aparato puede producir lesiones.*
- e) **Evitar trabajar en una posición corporal inadecuada. Adoptar una posición segura y mantener en todo momento el equilibrio.** *Ello permite controlar mejor la herramienta eléctrica en situaciones inesperadas.*
- f) **Llevar ropa de trabajo adecuada. No llevar ropa holgada ni joyas durante el trabajo. Mantener el cabello, la ropa y los guantes alejados de las piezas en movimiento.** *La ropa holgada, las joyas o los cabellos largos pueden ser atrapados por las piezas en movimiento.*
- g) **Si el aparato permite instalar dispositivos de aspiración y recogida del polvo, es preciso asegurarse de que estén conectados y se empleen de forma correcta.** *La utilización de un aspirador de polvo puede reducir los peligros provocados por el mismo.*
- 4. Empleo y tratamiento de la herramienta eléctrica**
- a) **No sobrecargar el aparato. Usar la herramienta eléctrica específica para cada trabajo.** *Con la herramienta eléctrica adecuada se trabaja mejor y con más seguridad permaneciendo dentro de la potencia indicada.*
- b) **No usar ninguna herramienta eléctrica cuyo interruptor esté defectuoso.** *Una herramienta eléctrica que ya no pueda conectarse o desconectarse conlleva peligros y debe repararse.*
- c) **Desenchufar el cable de la toma de corriente y/o retirar la batería antes de ajustar el aparato, cambiar accesorios o abandonar el aparato.** *Esta medida de seguridad evita que la herramienta eléctrica arranque accidentalmente.*
- d) **Guardar las herramientas eléctricas que no se usen fuera del alcance de los niños. No permitir el uso del aparato a personas que no estén familiarizadas con él o no hayan leído estas instrucciones.** *Las herramientas eléctricas son peligrosas si las usan personas sin experiencia.*
- e) **Cuidar la herramienta eléctrica de forma adecuada. Comprobar que las piezas móviles funcionen de forma correcta y no se bloqueen, controlar también si existen piezas rotas o están tan dañadas que ponen en peligro el funcionamiento de la herramienta eléctrica. Reparar las piezas dañadas antes de usar el aparato.** *Numerosos accidentes se deben a herramientas eléctricas mal cuidadas.*
- f) **Mantener limpias y afiladas las herramientas de corte.** *Las herramientas de corte bien cuidadas con cantos afilados se bloquean con menor frecuencia y pueden manejarse de forma más sencilla.*
- g) **Respetar estas instrucciones cuando se desee utilizar la herramienta eléctrica, los accesorios, piezas de recambio, etc. Para ello, tener en cuenta las condiciones de trabajo y la tarea a ejecutar.** *El uso de herramientas eléctricas para otros fines diferentes a los previstos puede originar situaciones peligrosas.*
- 5. Empleo y tratamiento de la herramienta eléctrica**
- a) **Cargar la batería sólo en cargadores recomendados por el fabricante.** *Existe el peligro de incendio si se utiliza un cargador, indicado sólo para un tipo concreto de baterías, para otro tipo de baterías.*
- b) **Utilizar sólo las baterías indicadas para la herramienta eléctrica en cuestión.** *El uso de otras baterías puede provocar daños y conllevar peligro de incendio.*
- c) **Mantener cualquier batería que no se esté utilizando alejada de grapas, monedas, llaves, clavos, tornillos u otros objetos metálicos pequeños que podrían provocar un puenteo de los contactos.** *Un cortocircuito entre los contactos de la batería puede tener como consecuencia quemaduras o provocar fuego.*
- d) **Si se utiliza incorrectamente podría salir líquido de la batería. Evitar el contacto con el líquido. En caso de tocar accidentalmente el líquido, lavar la zona afectada con agua. Si el líquido penetra en los ojos, acudir a un médico.** *El líquido de la batería puede provocar irritaciones en la piel o quemaduras.*



## 6. Servicio

- a) **Sólo especialistas cualificados deben reparar la herramienta eléctrica, empleando para ello únicamente piezas de repuesto originales. Esta forma de proceder garantiza la seguridad de la herramienta eléctrica.**

### Instrucciones de seguridad especiales

- Para reducir el riesgo de sufrir lesiones, se precisa vigilancia estrecha si el producto se usa cerca de los niños.
- No tocar las piezas calientes.
- Utilizar solo accesorios recomendados o vendidos por el fabricante.
- No utilizar bajo la lluvia.
- Para reducir el riesgo de descarga eléctrica, no poner el producto en agua ni en otros líquidos. No colocar ni almacenar el producto donde se pueda caer o meter en una bañera o lavabo/fregadero.

### ADVERTENCIA:

Para reducir el riesgo de sufrir lesiones, no mirar fijamente hacia la lámpara en funcionamiento. Se podrían sufrir lesiones oculares graves.

### ADVERTENCIA:

No utilizar el imán para montaje horizontal en el techo.

### ADVERTENCIA:

La lente se calienta mucho durante el uso. Para reducir el riesgo de sufrir quemaduras, no tocar las lentes calientes.

Para reducir el riesgo de incendio, mantener alejado de materiales combustible mientras esté funcionando.

### INSTRUCCIONES DE USO INSTRUCCIONES DE MANTENIMIENTO PARA EL USUARIO

Método de uso y de mantenimiento normal apropiado.

Otra advertencia que no conduzca a un uso indebido.

Con el fin de ofrecerle baterías con la máxima densidad de energía, larga duración y seguridad, prestamos el mayor cuidado en su montaje. Las celdas de la batería disponen de dispositivos de seguridad de varios niveles. En primer lugar se asigna el formato a cada celda y se registran sus características eléctricas. A continuación, estos datos se utilizan para agrupar las celdas y crear la mejores baterías. **A pesar de todas las medidas de seguridad, siempre es necesario**

tener precaución al utilizar baterías. Para un funcionamiento seguro es obligatorio tener en cuenta los siguientes puntos.  
**¡El funcionamiento seguro sólo está garantizado si las celdas no están dañadas! Un manejo inadecuado puede dañar las celdas.**

**¡Atención!** Los análisis confirman que un uso y un cuidado inadecuados son la principal causa de los daños provocados por baterías de alta potencia.

### Advertencias sobre la batería

1. La batería del aparato no se suministra cargada. Antes de la primera puesta en marcha, es preciso recargarla por completo.
2. ¡Para que la batería trabaje de forma óptima evitar ciclos de descarga prolongados! Recargar la batería con frecuencia.
3. Guardar la batería en un lugar fresco, lo ideal son 59°F (15°C), y como mínimo cargada al 40%.
4. Las baterías de iones de litio están sujetas a un desgaste natural. ¡La batería debe ser sustituida como muy tarde cuando su rendimiento sea menor al 80% respecto a su estado cuando era nueva! Las celdas deterioradas de un conjunto de baterías envejecido no cumplen con los altos requisitos de rendimiento, representando un riesgo para la seguridad.
5. No tirar las baterías usadas al fuego. ¡Peligro de explosión!
6. No prender la batería ni exponerla al fuego.
7. **¡Evitar una descarga total de las baterías!** Este tipo de descarga daña las celdas de la batería. La causa más frecuente de la descarga total de la batería es el largo almacenamiento o la no utilización de baterías parcialmente descargadas. Terminar el trabajo en cuanto se aprecie que la potencia disminuye o se activa el sistema electrónico de protección. Almacenar la batería sólo tras haberla cargado completamente.
8. **¡Proteger las baterías y el aparato contra sobrecarga!** La sobrecarga conduce rápidamente a un sobrecalentamiento y daño de las celdas del interior de la carcasa de batería, sin que el sobrecalentamiento se perciba externamente.
9. **¡Evitar daños y golpes!** Sustituir inmediatamente las baterías que hayan caído desde una altura superior a un metro o que hayan sufrido golpes fuertes, incluso aunque la carcasa de la batería no parezca dañada.

Las celdas que se encuentren en su interior podrían estar gravemente dañadas. Tener en cuenta también las indicaciones de eliminación.

10. En caso de sobrecarga y sobrecalentamiento, el circuito de protección integrado desconecta el aparato por motivos de seguridad. **¡Atención!** Dejar de pulsar el interruptor On/Off cuando el circuito de protección haya desconectado el aparato. Podría dañar la batería.
11. Utilizar exclusivamente baterías originales. El uso de otras baterías puede provocar daños, así como explosión y peligro de incendio.

#### Advertencias sobre el cargador y el proceso de carga

1. Observar los datos indicados en la placa de identificación del cargador. Conectar el cargador sólo a la tensión nominal indicada en la placa de características.
2. Proteger el cargador y el cable de daños y cantos afilados. Los cables dañados deben ser cambiados exclusivamente por un electricista profesional.
3. Mantener el cargador, las baterías y el aparato fuera del alcance de niños.
4. No emplear cargadores dañados.
5. No emplear el cargador suministrado para cargar otros aparatos a batería.
6. La batería se calienta bajo condiciones extremas de aplicación. Dejar que la batería se enfríe hasta alcanzar la temperatura ambiental antes de empezar a cargar.
7. **¡No cargar demasiado las baterías!** Respetar los tiempos de carga máximos. Estos tiempos de carga se aplican únicamente a baterías descargadas. Si una batería cargada o parcialmente cargada se conecta varias veces al cargador se produce una sobrecarga y un daño de las celdas. No dejar las baterías varios días en el cargador.
8. **No utilizar ni cargar nunca baterías si se tiene la sospecha de que la última carga de la batería puede haberse realizado hace más de 12 meses.** Existe una alta probabilidad de que la batería ya esté gravemente dañada (descarga total).
9. Cargar la batería a una temperatura de menos de 50°F (10°C) provoca daños químicos en las celdas y puede conllevar peligro de incendio.
10. No utilizar baterías que se hayan calentado durante la carga, ya que sus celdas podrían dañarse peligrosamente.

11. Dejar de usar baterías que se hayan deformado o abombado durante la carga, o aquellas que presenten síntomas inusuales (desprendimiento de gases, zumbidos, chasquidos,...)
12. No descargar la batería por completo (nivel de descarga recomendado: máx. 80%). La descarga total provoca un envejecimiento prematuro de las celdas de la batería.
13. ¡No cargar nunca las baterías sin supervisión!

#### Protección contra influencias ambientales

1. Ponerse ropa de trabajo adecuada. Ponerse gafas de protección.
2. **Proteger el aparato y el cargador de la humedad y la lluvia.** Estas podrían provocar daños peligrosos en las celdas.
3. No utilizar el aparato y el cargador cerca de vapores y líquidos inflamables.
4. Utilizar el cargador y el aparato a batería sólo si están secos y a una temperatura ambiente de 50°F-104°F (10-40 °C).
5. No guardar la batería en lugares que puedan alcanzar una temperatura superior a 40 °C, especialmente no en un vehículo aparcado al sol.
6. **¡Proteger las baterías contra un sobrecalentamiento!** La sobrecarga, carga excesiva o la radiación solar conducen a un sobrecalentamiento y al daño de las celdas. No cargar ni trabajar en ningún caso con baterías que se hayan sobrecalentado. Sustituirlas inmediatamente.
7. **Almacenamiento de baterías, cargadores y del aparato.** Guardar siempre el cargador y el aparato en habitaciones secas con una temperatura ambiente de 50°F-104°F (10-40°C). Guardar la batería de iones de litio en un lugar fresco y seco a 50°F-68°F (10-20°C). ¡Proteger de la humedad ambiental y de la radiación solar! Guardar las baterías únicamente cuando estén cargadas (mín. al 40%).
8. Evitar que la batería de iones de litio se hiele. Deshacerse de las baterías que hayan estado guardadas a 32°F (0°C) durante más de 60 minutos.
9. Llevar cuidado con la carga electrostática al manipular baterías: las descargas electrostáticas provocan daños en el sistema electrónico de protección y las celdas de la batería. ¡Evitar por ello la carga electrostática y no tocar nunca los polos de la batería!

### Precaución y eliminación de la batería

#### Eliminación

Si su artefacto necesita ser reemplazado luego de un uso prolongado, no lo arroje a la basura doméstica. Hágalo de una forma ecológica y segura.



Los desechos producidos por máquinas eléctricas no deben ser manipulados como basura doméstica común. Recíclelos donde hayan emplazamientos de reciclaje. Consulte con las autoridades o tienda

minorista de su localidad para obtener información sobre reciclaje.

Deséchese de su batería de acuerdo con los reglamentos federales, estatales y locales. Para encontrar lugares de reciclaje, comuníquese con un servicio de reciclaje en su localidad.

**⚠ ¡PRECAUCIÓN!** Incluso las baterías descargadas contienen algo de energía. Antes de deshacerse de éstas, use cinta aislante para cubrir los terminales y evitar que la batería haga cortocircuito, lo cual puede causar una explosión o incendio.

**⚠ ¡ADVERTENCIA!** Para reducir el riesgo de lesiones personales o explosión, nunca queme o incinere una batería incluso si está dañada, inservible o completamente descargada. Al ser quemada, los humos y materiales tóxicos son emitidos a la atmósfera circundante.

1. Las baterías varían de acuerdo al dispositivo. Consulte su manual para obtener la información específica.
2. Instale solo nuevas baterías del mismo tipo en su producto (donde corresponda).
3. No insertar las baterías con la polaridad correcta, tal como se indica en el compartimiento de la batería o en el manual, puede reducir el ciclo de vida útil de las baterías o causar fugas en las baterías.
4. No combine baterías nuevas con antiguas.
5. No combine baterías alcalinas, estándar (de zinc-carbono) o recargables (de níquel-cadmio, de níquel-hidruro metálico o de iones de litio).
6. No arroje las baterías al fuego. Pueden llegar a explotar.
7. Las baterías deben ser recicladas o desechadas según los reglamentos locales y estatales.

Para el envío o la eliminación de baterías o del aparato, estos deben embalsarse por separado en bolsas de plástico para evitar cortocircuitos o incendios.

Guardar las instrucciones de seguridad en lugar seguro.

## 2. Descripción del aparato y volumen de entrega

### 2.1 Descripción del aparato (fig. 1)

1. Interruptor ON/OFF
2. Rueda de ajustes

### 2.2 Volumen de entrega

Sirviéndose de la descripción del volumen de entrega, comprobar que el artículo esté completo. Si faltase alguna pieza, dirigirse a nuestro Service Center o a la tienda especializada más cercana en un plazo máximo de 5 días laborales tras la compra del artículo presentando un recibo de compra válido.

- Abrir el embalaje y extraer cuidadosamente el aparato.
- Retirar el material de embalaje, así como los dispositivos de seguridad del embalaje y para el transporte (si existen).
- Comprobar que el volumen de entrega esté completo.
- Comprobar que el aparato y los accesorios no presenten daños ocasionados durante el transporte.
- Si es posible, almacenar el embalaje hasta que transcurra el periodo de garantía.

#### Peligro!

**¡El aparato y el material de embalaje no son un juguete! ¡No permitir que los niños jueguen con bolsas de plástico, láminas y piezas pequeñas! ¡Riesgo de ingestión y asfixia!**


- Linterna inalámbrica
- Manual de instrucciones original
- Instrucciones de seguridad

**Accesorios disponibles por separado**

18V 1.5Ah P-X-C batería Li-Ion  
 18V 2.0Ah P-X-C batería Li-Ion  
 18V 2.6Ah P-X-C Plus batería Li-Ion  
 18V 3.0Ah P-X-C batería Li-Ion  
 18V 4.0Ah P-X-C batería Li-Ion  
 18V 5.2Ah P-X-C Plus batería Li-Ion  
 18V P-X-C charger

Explorar las opciones de batería y cargador en [einhellUSA.com](http://einhellUSA.com)

**3. Características técnicas**

Alimentación de tensión: .....18 V   
 Núm. de LED: ..... 3  
 Flujo luminoso: .....270 lm  
 Peso: .....0.66 lb (0.3) kg

**4. Manejo****4.1 Cómo encajar la lámpara con la batería (fig. 2)**

- Encajar la lámpara con la batería hasta que se enclave.
- Para retirar de nuevo la batería, presionar el dispositivo de retención (a) de la batería y separar la lámpara de la batería.

**4.2 Interruptor ON/OFF (fig. 1/pos. 1)****Encender:**

Pulsar el interruptor ON/OFF(1).

**Apagar:**

Pulsar de nuevo el interruptor ON/OFF(1).

**4.3 Ajuste de las posiciones de iluminación (fig. 3)**

Moviendo el cabezal de la lámpara (ver fig. 3), se puede ajustar la posición de iluminación.

**4.4 Ajuste del ángulo de dispersión (fig. 4/pos. 2)**

El ángulo de dispersión se ajusta girando la rueda de ajuste (2) entre las 2 posiciones.

**Posición A:**

Ángulo de dispersión pequeño  
 --> Superficie pequeña, intensidad luminosa alta

**Posición B:**

Ángulo de dispersión grande  
 --> Superficie grande, intensidad luminosa baja

**5. Mantenimiento, limpieza y pedido de piezas de repuesto****Peligro!**

Quitar la batería antes de realizar cualquier trabajo de limpieza.

**5.1 Limpieza**

- Reducir al máximo posible la suciedad y el polvo en los dispositivos de seguridad, las rendijas de ventilación y la carcasa del motor. Frotar el aparato con un paño limpio o soplarlo con aire comprimido manteniendo la presión baja.
- Se recomienda limpiar el aparato tras cada uso.
- Limpiar el aparato con regularidad con un paño húmedo y un poco de jabón blando. No utilizar productos de limpieza o disolventes ya que se podrían deteriorar las piezas de plástico del aparato. Es preciso tener en cuenta que no entre agua en el interior del aparato. Si entra agua en el aparato eléctrico existirá mayor riesgo de una descarga eléctrica.

**5.2 Mantenimiento**

No hay que realizar el mantenimiento a más piezas en el interior del aparato.

**5.3 Pedido de piezas de repuesto: Servicio**

1. **Si su herramienta eléctrica necesita servicio, póngase en contacto con un distribuidor autorizado de Einhell USA o llame al centro de atención al cliente de Einhell USA 1-866-EINHELL (1-866-346-4355).** Utilice exclusivamente piezas de repuesto idénticas para las reparaciones. Solo así se podrá mantener la seguridad de la herramienta eléctrica.
2. **Si el cable del cargador está dañado, cámbielo de inmediato para evitar peligros.** Si necesita asistencia, llame al centro de atención al cliente de Einhell USA® al 1-866-EINHELL (1-866-346-4355).

## 6. Eliminación y reciclaje

El aparato está protegido por un embalaje para evitar daños producidos por el transporte. Este embalaje es materia prima y, por eso, se puede volver a utilizar o llevar a un punto de reciclaje. El aparato y sus accesorios están compuestos de diversos materiales, como, p. ej., metal y plástico. Los aparatos defectuosos no deben tirarse a la basura doméstica. Para su eliminación adecuada, el aparato debe entregarse a una entidad recolectora prevista para ello. En caso de no conocer ninguna, será preciso informarse en el organismo responsable del municipio.

## 7. Almacenamiento

Guardar el aparato y sus accesorios en un lugar oscuro, seco, protegido de las heladas e inaccesible para los niños. La temperatura de almacenamiento óptima se encuentra entre los 41°F y 86°F (5 y 30 °C). Guardar la herramienta eléctrica en su embalaje original.

Sólo está permitido copiar la documentación y documentos anexos del producto, o extractos de los mismos, con autorización expresa de iSC GmbH.

Nos reservamos el derecho a realizar modificaciones técnicas

# Einhell

## LA PROMESA DE EINHELL AL CLIENTE

**LO PRIMERO ES LA CALIDAD.** El nombre de Einhell es sinónimo de herramientas de alto rendimiento y manufactura europea de alta calidad. Desde destornilladores inalámbricos hasta cortacéspedes eléctricos, Einhell USA diseña y desarrolla innovadoras herramientas para jardinería y eléctricas de mano para amantes del DIY, jardineros aficionados y manitas.

Los equipos de aseguramiento de la calidad y de ingenieros de Einhell USA garantizan que los productos se sometan a las pruebas más exigentes en materia de calidad y rendimiento. Sabemos que incluso las herramientas más resistentes pueden sufrir complicaciones. Si nota alguna anomalía en su producto, le aseguramos que haremos todo lo posible para devolverle una herramienta capaz de trabajar satisfaciendo sus exigencias.

### REGISTRO DEL PRODUCTO:

Einhell le recomienda encarecidamente que registre su compra. Puede registrarla online en **EinhellUSA.com**. En caso de no hacerlo, el producto comprado no perderá los derechos de garantía. No obstante, registrando su compra permite que Einhell le preste un mejor servicio de atención al cliente cuando lo necesite.

### ¿QUÉ CUBRE?

Einhell garantiza al propietario que, si esta máquina falla en un plazo de 2 años a partir de la fecha de compra debido a un defecto en el material, en la manufactura o como resultado de un desgaste normal del uso doméstico ordinario, Einhell le enviará una pieza o un producto de repuesto, según se necesite, de manera gratuita y sin gastos de envío al comprador original. Si, a criterio exclusivo de Einhell, la máquina averiada no se puede reparar con una pieza, Einhell decidirá si a) envía una nueva máquina de manera gratuita y sin gastos de envío, o b) reembolsa al propietario el importe completo de la compra.

### ¿QUIÉN PUEDE OBTENER COBERTURA DE GARANTÍA?

Einhell hace entrega de la presente garantía al propietario de esta máquina (una "máquina" consiste en un producto alimentado por un motor) para un uso exclusivamente doméstico y privado. Esta garantía está limitada a treinta (30) días a partir de la fecha de compra original de cualquier producto de la marca EINHELL que se use para fines comerciales o cualquier otro fin que produzca beneficios. Si la máquina cambia de propietario durante el periodo de cobertura, actualice la información del propietario de la máquina en **EinhellUSA.com**

### ¿QUÉ NO CUBRE?

Esta garantía no cubre ningún producto que haya sufrido un uso indebido, negligencia, o accidente, o que haya sido operado de forma contraria a las instrucciones de uso especificadas en el manual de servicio. La presente

garantía no cubre cambios estéticos que no afecten al funcionamiento.

Esta garantía solo será válida si la máquina se usa y mantiene conforme a las instrucciones, advertencias e instrucciones de seguridad indicadas en el manual de servicio. Einhell no se hará responsable del coste de ninguna reparación de garantía no autorizada. Esta garantía no cubre ningún costo o gasto incurrido por el comprador al proporcionar equipos sustitutos o servicio durante periodos razonables de avería o no utilización de este producto, mientras se espera por una pieza de repuesto o nuevo producto conforme a esta garantía.

La garantía no cubre piezas de desgaste como correas, brocas, cadenas ni dientes, que se pueden comprar en **EinhellUSA.com** o llamando al **1-866-EINHELL (1-866-346-4355)**. Las baterías están completamente cubiertas durante 90 días a partir de la fecha de compra.

La reparación, sustitución o el reembolso del precio de compra constituyen compensaciones exclusivas del comprador y única responsabilidad de Einhell conforme a esta garantía. Ningún empleado ni representante de Einhell está autorizado a realizar ninguna garantía adicional ni modificación alguna a la presente garantía que pueda ser vinculante para Einhell. Por consiguiente, el comprador no deberá ampararse en ninguna declaración adicional hecha por ningún empleado o representante de Einhell. Einhell no se hace responsable en ningún caso, ya se base en el contrato, indemnización, garantía, agravio (incluyendo negligencia), responsabilidad absoluta o de otro tipo, de ningún daño especial, indirecto, accidental o consecuentes incluyendo, sin limitaciones, la pérdida de beneficios o ingresos.

Algunos estados no permiten límites en las garantías. En dichos estados, no se aplicarán las limitaciones expuestas anteriormente.

Fuera de EE. UU. y Canadá se aplicarán otras garantías.

## Sommaire

1. Consignes de sécurité
2. Description de l'appareil et contenu de l'emballage
3. Caractéristiques techniques
4. Utilisation
5. Nettoyage, entretien et commande de pièces de rechange
6. Élimination et revalorisation
7. Conservation



**Danger!** - Lire le mode d'emploi pour diminuer le risque de blessures



**Attention ! Ne pas regarder dans le faisceau lumineux.**



Conserver les batteries uniquement dans des locaux secs et à une température ambiante de 50-104 °F (+10-+40 °C). Conserver les batteries uniquement en état chargé (au moins 40 % de charge).



**Danger !**

Certaines mesures de sécurité doivent être respectées pendant l'utilisation des appareils pour empêcher les blessures et les dommages. Par conséquent, lisez attentivement le présent mode d'emploi / les consignes de sécurité. Conservez-les bien pour avoir les informations toujours à la portée de la main. Si vous devez passer l'appareil à d'autres personnes, veuillez leur remettre également le présent mode d'emploi / les consignes de sécurité. Nous ne sommes pas tenus des accidents ou dommages survenus à cause de non-respect du présent mode d'emploi et des consignes de sécurité.

**1. Consignes de sécurité****Danger !**

**Lisez toutes les consignes de sécurité et instructions.** Le non-respect des consignes de sécurité et des instructions peut causer une électrocution, un incendie et / ou de graves blessures. **Conservez toutes les consignes de sécurité et instructions pour l'avenir.**

**Consignes générales de sécurité pour les outils électriques**

Le terme « outil électrique » utilisé dans les consignes de sécurité se réfère à des outils électriques alimentés par le secteur (avec câble d'alimentation) et à des outils électriques alimentés par la batterie (sans câble d'alimentation).

**1. Sécurité du lieu de travail**

- a) **Maintenez votre espace de travail propre et bien éclairé.** *Le désordre ou les espaces de travail non éclairés peuvent provoquer des accidents.*
- b) **Ne travaillez pas avec l'outil électrique dans une atmosphère explosible contenant des liquides, des gaz ou des poussières combustibles.** *Les appareils électriques génèrent des étincelles pouvant enflammer la poussière ou les vapeurs.*
- c) **Tenez à distance les enfants et autres personnes lors de l'utilisation de l'appareil électrique.** *En cas de distraction, vous pouvez perdre le contrôle de l'appareil.*

**2. Sécurité électrique**

- a) **La fiche de raccordement de l'appareil électrique doit être adaptée à la prise. La fiche ne doit être modifiée en aucune façon. N'utilisez pas de fiche d'adaptateur avec les outils électriques mis à la terre.** *Les fiches non modifiées et les prises adaptées diminuent le risque d'une électrocution.*
  - b) **Évitez le contact physique avec les surfaces mises à la terre, comme celles de conduits, des chauffages, des cuisinières et des réfrigérateurs.** *Il existe un risque élevé d'électrocution lorsque votre corps est mis à la terre.*
  - c) **Gardez les appareils électriques à l'abri de la pluie ou de l'humidité.** *La pénétration de l'eau dans un appareil électrique augmente le risque d'une électrocution.*
  - d) **Ne détournez pas le câble de sa fonction pour porter ou pour accrocher l'appareil électrique ou pour retirer la fiche de la prise. Gardez le câble à l'abri de la chaleur, de l'huile, des bords coupants ou des éléments mobiles de l'appareil.** *Les câbles endommagés ou enchevêtrés augmentent le risque d'une électrocution.*
  - e) **Si vous travaillez avec un appareil électrique dehors, utilisez uniquement une rallonge adaptée à l'usage à l'extérieur.** *L'utilisation d'une rallonge adaptée à l'usage à l'extérieur diminue le risque d'une électrocution.*
  - f) **Si l'appareil électrique doit être utilisé dans un environnement humide, utilisez un disjoncteur de protection à courant de défaut.** *L'utilisation d'un disjoncteur de protection à courant de défaut diminue le risque d'une électrocution.*
- 3. Sécurité des personnes**
- a) **Soyez attentif, prenez garde à ce que vous faites et soyez raisonnable en travaillant avec un outil électrique. N'utilisez pas un appareil électrique si vous êtes fatigué ou si vous vous trouvez sous l'effet de drogues, d'alcool ou de médicaments.** *Un instant d'inattention lors de l'utilisation de l'appareil électrique peut entraîner de graves blessures.*
  - b) **Portez un équipement de protection individuelle et toujours des lunettes de protection.** *Le port d'équipement de protection individuelle, comme le masque anti-poussières, les chaussures de sécurité antidérapantes, le casque de protection ou la*

- protection auditive, en fonction de l'appareil, diminue le risque de blessures.*
- c) **Évitez une mise en service inopinée. Assurez-vous que l'appareil électrique est éteint avant de le raccorder à l'alimentation électrique et / ou à la batterie, de le prendre ou de le porter. Si, en portant l'outil électrique, vous gardez le doigt sur l'interrupteur ou raccordez l'appareil allumé à l'alimentation électrique, cela peut provoquer des accidents.**
- d) **Avant d'allumer l'outil électrique, retirez les outils de réglage ou les clés. Un outil ou une clé se trouvant dans un élément tournant de la machine peut entraîner des blessures.**
- e) **Évitez une posture anormale. Ayez un appui stable et gardez l'équilibre en permanence. Vous pouvez ainsi mieux contrôler l'outil électrique dans des situations imprévues.**
- f) **Portez des vêtements appropriés. Ne portez pas de vêtements amples ni de bijoux. Gardez les cheveux, les vêtements et les gants à distance des éléments mobiles. Des vêtements amples, bijoux ou longs cheveux peuvent être happés par les éléments mobiles.**
- g) **Si des dispositifs d'aspiration ou de récupération des poussières peuvent être montés, assurez-vous qu'ils sont connectés et peuvent être utilisés correctement. L'utilisation d'une aspiration des poussières peut diminuer les risques causés par la poussière.**
- 4. Utilisation et traitement de l'outil électrique**
- a) **Ne surchargez pas l'appareil. Utilisez pour votre travail l'outil électrique adéquat. Vous travaillez mieux et de manière plus sûre avec un outil électrique approprié dans la plage de puissance indiquée.**
- b) **N'utilisez pas un outil électrique avec un interrupteur défectueux. Un outil électrique qui ne peut plus être allumé ou éteint est dangereux et doit être réparé.**
- c) **Retirez la fiche de la prise et / ou retirez la batterie avant de procéder à des réglages de l'appareil, de remplacer les accessoires ou de ranger l'appareil. Cette mesure de précaution empêche le démarrage inopiné de l'outil électrique.**
- d) **Conservez les outils électriques non utilisés hors la portée des enfants. Ne permettez pas aux personnes qui ne sont pas familiarisées avec cet appareil ou qui n'ont pas lu ces instructions de l'utiliser. Les outils électriques sont dangereux lorsqu'ils sont utilisés par des personnes inexpérimentées.**
- e) **Prenez soin des appareils électriques. Contrôlez le fonctionnement irréprochable et sans coincements des éléments mobiles, l'état intègre et intact des éléments permettant un fonctionnement sans entraves. Faites réparer les éléments endommagés avant l'utilisation de l'appareil. De nombreux accidents sont dus à des outils électriques mal entretenus.**
- f) **Maintenez vos outils de coupe aiguisés et propres. Les outils de coupe aux bords tranchants bien soignés se coincent moins et sont plus aisés à guider.**
- g) **Utilisez l'outil électrique, les accessoires, les outils utilisés, etc. conformément au présent mode d'emploi. Tenez compte des conditions de travail et de l'activité à réaliser. L'utilisation des outils électriques pour des usages autres que prévus peut entraîner des situations dangereuses.**
- 5. Utilisation et traitement de l'outil sans fil**
- a) **Chargez les batteries uniquement dans les chargeurs recommandés par le fabricant. L'utilisation d'un chargeur pour des batteries non appropriées présente un risque d'incendie.**
- b) **Utilisez dans les outils électriques uniquement les batteries prévues à cet effet. L'utilisation d'autres batteries peut entraîner des blessures et le risque d'incendie.**
- c) **Conservez la batterie non utilisée à distance des trombones, pièces de monnaie, clés, clous, vis ou autres menus objets en métal susceptibles de provoquer un pontage des contacts. Un court-circuit entre les contacts de la batterie peut entraîner des brûlures ou le feu.**
- d) **En cas d'utilisation incorrecte, un liquide peut s'échapper de la batterie. Ne le touchez pas. Rincer à l'eau en cas de contact fortuit. Si le liquide entre en contact avec les yeux, consultez également le médecin. Le liquide s'échappant de la batterie peut causer des irritations cutanées ou des brûlures.**

## 6. Service

- a) **Faites réparer votre outil électrique uniquement par des spécialistes qualifiés et uniquement avec des pièces de rechange d'origine. Cela garantit le maintien de la sécurité de l'outil électrique.**

### Consignes spécifiques de sécurité

- Afin de réduire le risque de blessure, une surveillance étroite est de rigueur lorsque le produit est utilisé à proximité d'enfants.
- Ne pas toucher les parties chaudes.
- Utiliser uniquement des accessoires recommandés ou vendus par le fabricant.
- Ne pas utiliser sous la pluie.
- Afin de réduire le risque de choc électrique, ne pas plonger le produit dans l'eau ni dans aucun autre liquide. Ne pas placer ou conserver le produit à un endroit où celui-ci risquerait de tomber ou d'être entraîné dans une baignoire, un lavabo ou un évier.

### AVERTISSEMENT :

afin de réduire le risque de blessure, ne pas fixer la lampe en fonctionnement. Ceci pourrait provoquer de graves lésions oculaires.

### AVERTISSEMENT :

ne pas utiliser l'aimant pour un montage horizontal au plafond.

### AVERTISSEMENT :

la lentille devient très chaude en cours d'utilisation. Afin de réduire le risque de brûlures, ne pas toucher la lentille chaude.

Afin de réduire le risque d'incendie, tenir le produit éloigné des matériaux combustibles lorsque celui-ci est en fonctionnement.

### CONSIGNES D'UTILISATION CONSIGNES D'ENTRETIEN PAR L'UTILISATEUR

Méthode d'utilisation et d'entretien normale appropriée.

Autre avertissement ne conduisant pas à une mauvaise utilisation.

Nous construisons chaque pack de batterie avec le plus grand soin possible pour pouvoir vous transmettre les batteries avec la densité énergétique, la durabilité et la sécurité maximales. Les cellules de batterie sont munies de dispositifs de sécurité de plusieurs niveaux. Chaque cellule individuelle est d'abord formatée, et leurs courbes caractéristiques sont enregistrées. Ensuite, ces données sont utilisées pour pouvoir regrouper les

meilleures batteries possible.

**Malgré toutes les mesures de sécurité, il faut toujours être prudent en manipulant les batteries. Les points suivants doivent être impérativement respectés pour assurer le fonctionnement sûr.**

**Le fonctionnement sûr n'est possible qu'avec des cellules intactes ! Une manipulation incorrecte endommage les cellules.**

**Attention !** Des analyses confirment que l'utilisation gravement inappropriée et des soins incorrects constituent la cause principale des dommages dus aux batteries haute performance.

### Consignes concernant les batteries

1. Le pack de batterie de l'appareil sans fil n'est pas chargé à la livraison. Par conséquent, la batterie doit être chargée avant la première mise en service.
2. Évitez des cycles de décharge à plat pour garantir la performance maximale de la batterie ! Chargez souvent votre batterie.
3. Conservez votre batterie au frais, au mieux à 59 °F (+15 °C), et chargée d'au moins à 40 %.
4. Les batteries Lithium-Ion sont sujettes au vieillissement naturel. La batterie doit être remplacée au plus tard lorsque la capacité de la batterie ne correspond plus qu'à 80 % de l'état neuf. Les cellules affaiblies dans un pack de batterie vieilli ne tiennent plus la tête aux exigences élevées en terme de performance et présentent ainsi un risque de sécurité.
5. Ne jetez pas les batteries usées dans le feu ouvert. Risque d'explosion !
6. Ne pas allumer la batterie et ne pas l'exposer à la combustion.
7. **Ne pas décharger complètement la batterie !** La décharge complète endommage les cellules de la batterie. La cause la plus fréquente de la décharge complète du pack de batterie constitue un stockage ou non-utilisation prolongés des batteries à moitié chargées. Terminez l'opération dès que la puissance diminue visiblement ou la protection électronique réagit. Ne conservez la batterie que complètement chargée.
8. **Protéger les batteries et l'appareil contre la surcharge !** Une surcharge provoque rapidement la surchauffe et l'endommagement des cellules à l'intérieur du boîtier de batterie, sans que cela puisse se voir de l'extérieur.

#### 9. Évitez les détériorations et les chocs !

- Remplacez sur-le-champ les batteries ayant chuté d'une hauteur de plus d'un mètre ou ayant été exposées à des coups violents, même si le boîtier du pack de batterie semble intact. Les cellules de la batterie peuvent être sérieusement endommagées à l'intérieur. Respectez à cet égard également les consignes d'élimination.
10. En cas de surcharge et de surchauffe, le circuit de protection intégré éteint l'appareil pour des raisons de sécurité.  
**Attention !** N'actionnez plus l'interrupteur marche / arrêt lorsque le circuit de protection a éteint l'appareil. Cela peut endommager la batterie.
11. N'utilisez que des batteries d'origine. L'utilisation d'autres batteries peut entraîner des blessures, une explosion et le risque d'incendie.

#### Consignes concernant le chargeur et la charge

1. Tenez compte des informations indiquées sur la plaque signalétique du chargeur. Raccordez le chargeur uniquement à la tension d'alimentation indiquée sur la plaque signalétique.
2. Protégez le chargeur et le fil contre l'endommagement et les bords coupants. Les câbles endommagés doivent être immédiatement remplacés par un électricien.
3. Protégez le chargeur, les batteries et l'appareil sans fil contre les enfants.
4. Ne pas utiliser des chargeurs endommagés.
5. N'utilisez le chargeur fourni pour charger d'autres appareils sans fil.
6. En cas de forte sollicitation, le pack de batterie se réchauffe. Laissez refroidir le pack de batterie à la température ambiante avant le chargement.
7. **Ne pas surcharger les batteries !** Respectez les durées maximales du chargement. Ces durées de chargement s'appliquent uniquement aux batteries déchargées. Le branchement répété d'une batterie chargée ou partiellement chargée entraîne la surcharge et l'endommagement des cellules. Ne pas laisser les batteries insérées dans le chargeur pendant plusieurs jours.
8. **N'utilisez ni chargez pas les batteries que vous supposez avoir été chargées pour la dernière fois depuis plus de 12 mois.** Il est hautement probable que la batterie est déjà dangereusement endommagée (décharge-

ment complet).

9. Un chargement à une température inférieure à 50 °F (10 °C) entraîne une détérioration chimique de la cellule et peut provoquer un incendie.
10. N'utilisez pas de batteries qui se sont réchauffées pendant le chargement, car les cellules de la batterie pourraient être dangereusement endommagées.
11. N'utilisez plus les batteries qui se sont bombées ou déformées pendant le chargement ou qui présentent des symptômes inhabituels (dégazage, sifflement, grésillement, ...).
12. Ne déchargez pas complètement la batterie (déchargement maximal recommandé max. 80 %). Le déchargement complet entraîne un vieillissement précoce des cellules de la batterie.
13. Ne chargez jamais les batteries sans surveillance !

#### Protection contre l'impact environnemental

1. Portez des vêtements de travail appropriés. Porter des lunettes de protection.
2. **Protégez votre appareil sans fil et le chargeur contre l'humidité et la pluie.** L'humidité et la pluie peuvent entraîner des endommagements dangereux des cellules.
3. Ne pas utiliser l'appareil sans fil et le chargeur dans un espace contenant des vapeurs et des liquides combustibles.
4. Utiliser le chargeur et les appareils sans fil uniquement en état sec et à une température ambiante de 50-104 °F (10-40 °C).
5. Ne conservez pas la batterie dans des endroits où la température peut être supérieure à 40 °C, en partic. dans un véhicule garé au soleil.
6. **Protéger les batteries contre la surchauffe !** Une surcharge, un chargement excessif ou le rayonnement solaire entraînent la surchauffe et détériorent les cellules. Ne chargez ni travaillez en aucun cas avec les batteries qui ont été surchauffées, mais remplacez-les sans tarder.
7. **Conservation des batteries, des chargeurs et de l'appareil sans fil.** Conservez le chargeur et votre appareil sans fil uniquement dans des locaux secs à une température ambiante de 50-104 °F (10-40 °C). Conservez la batterie Lithium-Ion au frais et au sec à 50-68 °F (10-20 °C). Protéger contre l'humidité de l'air et le rayonnement solaire direct ! Conserver les batteries uniquement en état chargé (au moins 40 % de charge).

8. Empêchez que la batterie Lithium-Ion gèle. Les batteries qui ont été conservées plus de 60 minutes au-dessous de 32 °F (0 °C) doivent être éliminées.
9. Attention lors de la manipulation des batteries en rapport avec la charge électrostatique : les décharges électrostatiques endommagent la protection électronique et les cellules de la batterie ! Par conséquent, évitez les décharges électrostatiques et ne touchez jamais les pôles de la batterie !

#### Mise en garde concernant les batteries et informations sur leur élimination

##### Élimination

Si votre outil doit être remplacé après une période d'utilisation prolongée, ne le jetez pas avec les ordures ménagères, mais éliminez-le d'une manière respectueuse pour l'environnement.



Les déchets produits par les éléments d'un outil ou d'une machine électrique ne doivent pas être traités comme des déchets ménagers. Veuillez les recycler dans les installations prévues à cet effet.

Pour obtenir des conseils sur le recyclage, communiquez avec les services publics locaux ou avec votre revendeur.

Éliminez toujours les blocs-piles en vous conformant aux réglementations fédérales, provinciales ou territoriales et locales. Communiquez avec un organisme de recyclage de votre région pour obtenir la liste des sites de recyclage.

**⚠ MISE EN GARDE!** Même déchargé, un bloc-piles emmagasine une certaine énergie. Avant de l'éliminer, utilisez du ruban isolant pour couvrir les bornes et empêcher ainsi le bloc-piles de provoquer un court-circuit, ce qui pourrait causer un incendie ou une explosion.

**⚠ AVERTISSEMENT!** Pour réduire le risque de blessure ou d'explosion, ne jamais brûler ou incinérer un bloc-piles, même s'il est endommagé, à plat ou complètement déchargé. En brûlant, des vapeurs et des matières toxiques sont émises dans l'atmosphère environnante.

1. Les batteries varient selon le type d'outils ou de machines. Consulter le manuel pour des renseignements spécifiques.
2. Le cas échéant, insérer uniquement des batteries neuves de même type dans l'outil ou la machine.
3. Si, en l'insérant, la polarité de la batterie n'est pas respectée, comme indiqué dans le

- compar-timent à batterie ou dans le manuel, sa durée de vie pourrait être réduite ou elle pourrait fuir.
4. Ne pas mélanger des batteries anciennes et des neuves.
  5. Ne pas mélanger des batteries alcalines, standard (carbone/zinc) ou rechargeables (au nickel-cadmium, au nickel-métal-hydrure ou au lithium-ion).
  6. Ne jeter aucune batterie au feu. Les cellules de batterie peuvent exploser.
  7. Les batteries doivent être recyclées ou éliminées en observant les directives provinciales ou territoriales et locales.

**Pour expédier ou éliminer les batteries ou l'appareil sans fil, veuillez à ce qu'ils soient emballés individuellement dans un sachet en plastique pour empêcher les courts-circuits ou les incendies !**

Conservez bien les consignes de sécurité.

## 2. Description de l'appareil et contenu de l'emballage

### 2.1 Description de l'appareil (fig. 1)

1. Interrupteur
2. Molette de réglage

### 2.2 Contenu d'emballage

Veuillez contrôler l'intégralité de l'article au moyen du contenu d'emballage décrit. En cas de pièces manquantes, veuillez contacter notre centre de service à la clientèle ou le point de vente où vous avez acheté l'appareil au plus tard dans les 5 jours ou-vrables à compter de l'achat de l'article en présentant un ticket de caisse valable.


- Ouvrez l'emballage et retirez-en prudemment l'appareil.
- Enlevez le matériau d'emballage ainsi que les sécurités d'emballage et de transport (le cas échéant).
- Contrôlez l'intégralité du contenu d'emballage.
- Vérifiez si l'appareil et les accessoires présentent des dommages dus au transport.
- Si possible, conservez l'emballage jusqu'à l'expiration de la durée de garantie.

**Danger !**

L'appareil et le matériau d'emballage ne sont pas un jouet ! Les enfants ne doivent pas jouer avec des sachets en plastique, des films ou de petites pièces ! Il existe le risque d'ingestion et de suffocation !

- Lampe à batterie
- Mode d'emploi d'origine
- Consignes de sécurité

**3. Caractéristiques techniques**

Tension électrique : ..... 18 V   
 Nombre de DEL : ..... 3  
 Flux lumineux : ..... 270 lm  
 Poids : ..... 0,3 kg (0,66 lb)

**4. Utilisation****4.1 Montage sur la batterie (fig. 2)**

- Glissez la lampe sur la batterie jusqu'à ce que celle-ci s'enclenche.
- Pour enlever la batterie, appuyez sur le bouton de verrouillage (a) de la batterie, puis retirez la lampe de la batterie.

**4.2 Interrupteur (fig. 1 / pos. 1)**

**Pour allumer la lampe :**  
Appuyez sur l'interrupteur (1).

**Pour éteindre la lampe :**  
Appuyez à nouveau sur l'interrupteur (1).

**4.3 Réglage de la position d'éclairage (fig. 3)**  
Vous pouvez régler la position d'éclairage telle que vous le souhaitez en bougeant la tête de la lampe (voir fig. 3).

**4.4 Réglage de l'angle de diffusion (fig. 4 / pos. 2)**

Pour régler l'angle de diffusion, tournez la molette de réglage (2) entre les 2 positions.

**Position A :**

Petit angle de diffusion  
--> petite surface, forte intensité lumineuse

**Position B :**

Grand angle de diffusion  
--> grande surface, faible intensité lumineuse

**5. Nettoyage, entretien et commande de pièces de rechange****Danger !**

Retirez la batterie avant d'entreprendre toute procédure de nettoyage.

**5.1 Nettoyage**

- Maintenez les dispositifs de protection, les fentes d'aération et les carters de moteur aussi exempt de poussières et de saletés que possible. Frottez l'appareil avec un linge propre et nettoyez-le à l'air comprimé à basse pression.
- Nous recommandons de nettoyer l'appareil directement après chaque utilisation.
- Nettoyez l'appareil régulièrement avec un linge humide et un peu de savon noir. N'utilisez pas de détergeant ni de solvants ; ils peuvent détériorer les éléments en plastique de l'appareil. Veillez à ce que l'eau ne puisse pas pénétrer à l'intérieur de l'appareil. La pénétration de l'eau dans un appareil électrique augmente le risque d'une électrocution.

**5.2 Entretien**

L'intérieur de l'appareil ne contient pas de pièces exigeant un entretien.

**5.3 Commande des pièces de rechange : Service**

1. **Si votre outil électrique doit être réparé, veuillez contacter un distributeur autorisé d'Einhell USA ou appeler le centre de service à la clientèle d'Einhell USA au numéro 1-866-EINHELL (1-866-346-4355).**  
Seules les pièces de rechange identiques doivent être utilisées pour les réparations. Cela permet de garantir la sécurité de l'outil électrique.
2. **Si le câble du chargeur est endommagé, il doit être immédiatement remplacé pour empêcher un accident.** Pour obtenir de l'assistance, veuillez contacter le centre de service à la clientèle d'Einhell USA® au numéro 1-866-EINHELL (1-866-346-4355).

## 6. Élimination et revalorisation

L'appareil se trouve dans un emballage pour empêcher les dommages dus au transport. Cet emballage constitue une matière première et peut par conséquent être réutilisé ou peut être recyclé. L'appareil et ses accessoires sont fabriqués à partir de différents produits, comme p. ex. le métal et les matières plastiques. Ne jetez pas les appareils défectueux dans les déchets ménagers. Pour être éliminé de façon appropriée, l'appareil devrait être déposé à un lieu de collecte approprié. Si vous ne connaissez aucun lieu de collecte, informez-vous auprès de l'administration municipale.

## 7. Conservation

Conservez l'appareil et ses accessoires dans un endroit sombre, sec et exempt de gel ainsi que hors la portée des enfants. La température de conservation optimale se situe entre 41 °F et 86 °F (5 °C et 30 °C). Conservez l'outil électrique dans l'emballage d'origine.

Une réimpression ou toute autre reproduction de la documentation et des documents accompagnant les produits, même par extraits, ne sont autorisées qu'avec accord exprès d'ISC GmbH.

Sous réserve des modifications techniques.

# Einhell

## PROMESSE D'EINHELL À SES CLIENTS

**LA QUALITÉ PRIME.** Le nom d'Einhell est synonyme des outils performants et de la fabrication européenne de haute qualité. Des perceuses sans fil aux tondeuses à gazon électriques, Einhell USA conçoit et développe des outils électriques et de jardinage à main de pointe pour les bricoleurs, jardiniers amateurs et réparateurs.

Les équipes d'assurance de la qualité et d'ingénieurs d'Einhell USA garantissent que les produits subissent de sévères tests de qualité et de performance. Nous savons que parfois les outils solides traversent les époques dures. Si jamais vous avez un problème avec votre produit, soyez sûr que nous ferons tout notre possible pour vous rendre un outil prêt à travailler aussi dur que vous.

### ENREGISTREMENT DU PRODUIT :

Einhell vous encourage vivement d'enregistrer votre achat. Vous pouvez enregistrer en ligne sur **EinhellUSA.com**. Si vous n'enregistrez pas le produit que vous avez acheté, cela n'affectera pas vos droits de garantie. Toutefois, si vous enregistrez votre achat, Einhell pourra mieux vous servir pour tous vos besoins de client.

### QU'EST-CE QUI EST COUVERT ?

Einhell garantit au propriétaire que si cet appareil a un problème pendant une période de 2 ans à partir de la date d'achat à cause d'un défaut de matériau ou de fabrication ou en raison de l'usure normale au cours d'un usage domestique normal, Einhell enverra une pièce ou un produit de rechange, au besoin, gratuitement et sans frais de port à l'acheteur initial. Si, à la seule discrétion d'Einhell, l'appareil défectueux ne peut pas être réparé avec une pièce, Einhell soit (A) enverra gratuitement et sans frais de port un nouvel appareil, soit (B) remboursera au propriétaire la totalité du prix d'achat.

### QUI PEUT SOLLICITER LA COUVERTURE DE GARANTIE ?

Cette garantie est consentie par Einhell au propriétaire de cet appareil (un « appareil » consiste en un produit alimenté par un moteur) pour un usage domestique personnel exclusivement. Cette garantie est limitée aux trente (30) jours à compter de l'achat initial de tout produit de marque EINHHELL utilisé à des fins commerciales ou à d'autres fins lucratives. Si la propriété de cet appareil change pendant la période couverte, veuillez mettre à jour l'information relative au propriétaire de l'appareil sur **EinhellUSA.com**

### QU'EST-CE QUI N'EST PAS COUVERT ?

Cette garantie ne couvre pas les produits ayant fait l'objet d'un usage abusif ou négligent, d'un manque d'entretien, ayant été impliqués dans un accident ou employés d'une façon contraire au mode d'emploi, comme c'est spécifié dans le guide d'utilisation. Cette

garantie ne couvre pas les modifications superficielles n'affectant pas la performance.

Cette garantie n'est valable que si l'appareil est utilisé et entretenu conformément aux instructions, avertissements et mises en garde figurant dans le manuel du propriétaire. Einhell ne sera pas responsable du coût des réparations de garantie non autorisées. Cette garantie ne couvre pas les coûts et dépenses engagés par l'acheteur pour se procurer un équipement ou un service de substitution pendant les périodes raisonnables de dysfonctionnement ou de non-utilisation de ce produit dans l'attente d'une pièce ou d'une unité de rechange en vertu de cette garantie.

Les pièces d'usure, comme les courroies, les vis sans fin, les chaînes et les dents, ne sont pas couvertes par cette garantie et peuvent être achetées sur **EinhellUSA.com** ou en appelant au numéro **1-866-EINHELL (1-866-346-4355)**. Les batteries sont entièrement couvertes pendant 90 jours à partir de la date d'achat.

La réparation, le remplacement et le remboursement du prix d'achat sont les seuls moyens de l'acheteur et la seule responsabilité d'Einhell au titre de cette garantie. Les employés et les représentants d'Einhell ne sont pas autorisés à concéder une garantie supplémentaire ni à apporter une modification de cette garantie susceptible d'engager Einhell. Par conséquent, l'acheteur ne devrait pas se fier aux déclarations supplémentaires faites par un employé ou un représentant d'Einhell. En aucun cas, sur la base d'un contrat, d'une indemnisation, d'une garantie, d'un tort (y compris la négligence), d'une responsabilité sans faute, etc., Einhell ne sera responsable des dommages spécifiques, indirects, accessoires ou consécutifs, y compris mais sans s'y limiter la perte de bénéfices ou de revenus.

Certains États n'autorisent pas de limitations aux garanties. Dans tels États, les limitations ci-dessus pourraient ne pas s'appliquer à vous.

D'autres garanties peuvent s'appliquer en dehors des États-Unis et le Canada.









**Einhell**

[www.EinhellUSA.com](http://www.EinhellUSA.com)

EH 01/2019 (02)