

### Features

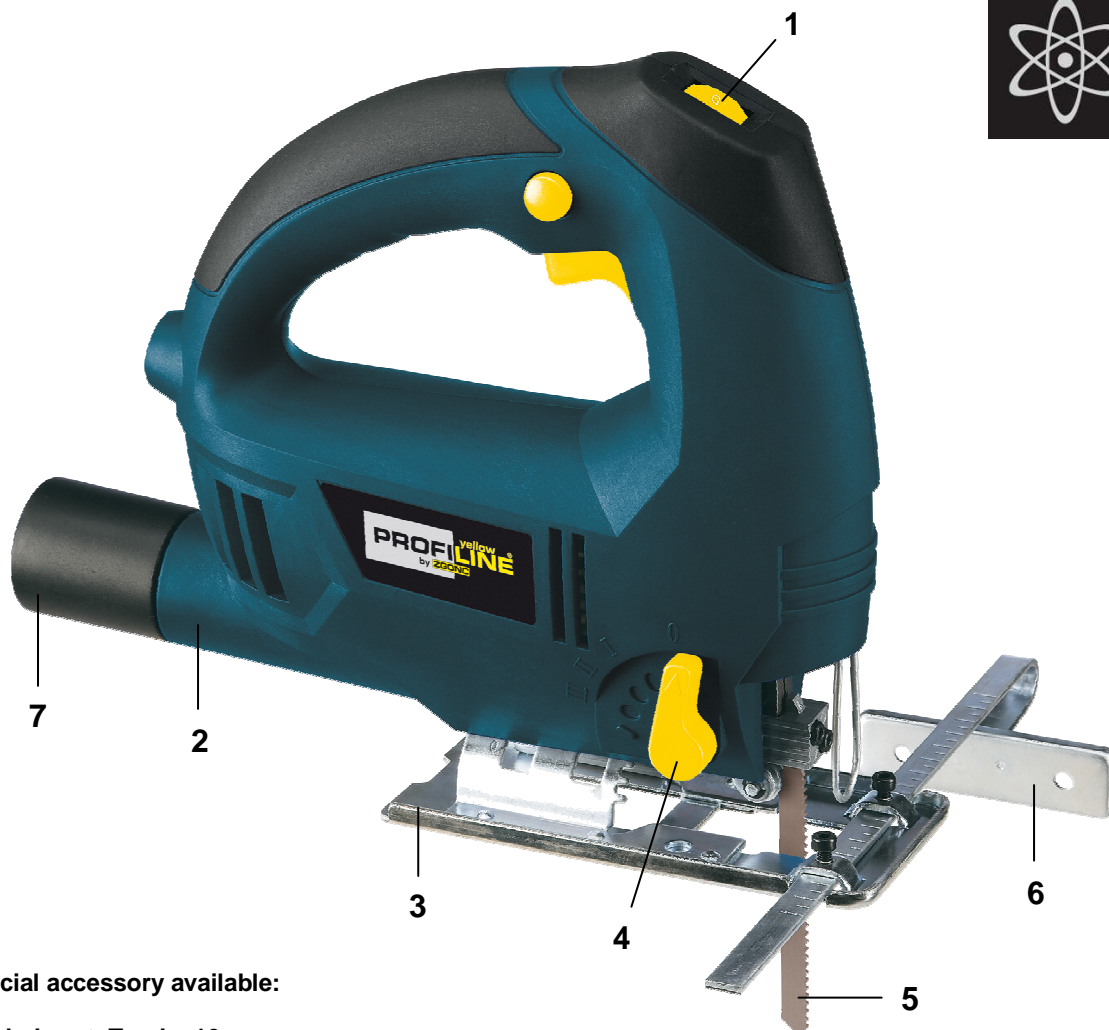
- Stroke rate electronic speed control (1)
- Integrated dust extraction device (2)
- Saw plate tiltable up to 45° (3)
- Pendulum stroke (4 settings) (4)

### Standard accessories

- Saw blade (1x wood) (5)
- Parallel guide (6)
- Dust extraction adapter (7)
- Allen key

### Technical data

- |                       |   |
|-----------------------|---|
| ■ Mains:              | 230 V ~ 50 Hz                                 |
| ■ Power:              | 650 W   |
| ■ Bevel cut:          | max. 45°                                      |
| ■ Stroke rate:        | 800 – 3,000 min <sup>-1</sup>                 |
| ■ Cutting depth:      | wood: 80 mm<br>steel: 10 mm<br>plastic: 20 mm |
| ■ Net weight:         | 2.2 kg  |
| ■ Gross weight:       | 2.4 kg  |
| ■ Packing dimensions: | 250 x 233 x 78 mm                             |
| ■ Bar code:           | 4006825 552485                                |
| ■ Sales unit:         | 10 pcs  |



### As special accessory available:

**Saw blade set, T-pole, 10 pcs**

Art.-No.: 43.101.70

Bar code: 4006825 536591