

REPLACEMENT WARRANTY
12 MONTHS HOME USE



Original instructions

XRH-900U

DRILL KIT
Rotary Hammer

Inx

XU1 Power tools

iSC GmbH, Eschenstraße 6, D-94405 Landau, Germany

Telephone: GB: 0151 294 4488 / IRL: 1850 882711

SAFETY INSTRUCTIONS

WARNING! When using mains-powered equipment, basic safety precautions, including the following, should always be followed to reduce risk of fire, electric shock, personal injury and material damage.

ALWAYS WEAR EYE, FACE AND EAR PROTECTION


When operating the tool

Keep the mains cable away from any moving parts or accessories.

Never cover the ventilation slots in the tool.

Electrical safety

The electric motor has been designed for 230-240V only. Always check that the power supply corresponds to the voltage on the rating plate.

 This tool is double insulated, therefore no earth wire is required.

Using an extension lead














Always use an approved extension lead suitable for the power input of this tool. Before use, inspect the extension lead for signs of damage, wear and ageing. Replace the extension lead if damaged or defective.

When using an extension lead on a reel, always unwind the lead completely. Use of an extension lead not suitable for the power input of the tool or which is damaged or defective may result in a risk of fire and electric shock.

The power supply for this product should be protected by a residual current device (rated at 30mA or less). A residual current device reduces the risk of electric shock.

If the supply cord is damaged, it must be replaced by the manufacturer, its service agent or similarly qualified persons in order to avoid a hazard.

Description of symbols

	Read instruction manual
	Do not expose to rain
	Wear dust mask
	Wear ear protection
	Wear eye protection
	Warning
	Double insulated
	Volts
	Alternating current
	Revolutions, reciprocations or strokes per minute
	No load speed
	Hertz
	Watts

General Power Tool Safety Warnings

WARNING! Read all safety warnings and all instructions. Failure to follow the warnings and instructions may result in electric shock, fire and/or serious injury. **Save all warnings and instructions for future reference.** The term "power tool" in all of the warnings refers to your mains-operated (corded) power tool or battery-operated (cordless) power tool.

1) Work area safety

a) Keep work area clean and well lit. Cluttered and dark areas invite accidents.

b) Do not operate power tools in explosive atmospheres, such as in the presence of flammable liquids, gases or dust. Power tools create sparks which may ignite the dust or fumes.

c) Keep children and bystanders away while operating a power tool. Distractions can cause you to lose control.

2) Electrical safety

a) Power tool plugs must match the outlet. Never modify the plug in any way. Do not use any adapter plugs with earthed (grounded) power tools. Unmodified plugs and matching outlets will reduce risk of electric shock.

b) Avoid body contact with earthed or grounded surfaces such as pipes, radiators, ranges and refrigerators. There is an increased risk of electric shock if your body is earthed or grounded.

c) Do not expose power tools to rain or wet conditions. Water entering a power tool will increase the risk of electric shock.

d) Do not abuse the cord. Never use the cord for carrying, pulling or unplugging the power tool. Keep cord away from heat, oil, sharp edges or moving parts. Damaged or entangled cords increase the risk of electric shock.

e) When operating a power tool outdoors, use an extension cord suitable for outdoor use. Use of a cord suitable for outdoor use reduces the risk of electric shock.

f) If operating a power tool in a damp location is unavoidable, use a residual current device (RCD) protected supply. Use of an RCD reduces the risk of electric shock.

3) Personal safety

a) Stay alert, watch what you are doing and use common sense when operating a power tool. Do not use a power tool while drugs, alcohol or medication. A moment of inattention while operating power tools may result in serious personal injury.

b) Use personal protective equipment. Always wear eye protection. Personal protective equipment such as dust mask, non-skid safety shoes, hard hat, or hearing protection used for appropriate conditions will reduce personal injuries.

c) Prevent unintentional starting. Ensure the switch is in the off-position before connecting to power source and/or battery pack, picking up or carrying the tool. Carrying power tools with your finger on the switch or energising power tools that have the switch on invites accidents.

d) Remove any adjusting key or wrench before turning the power tool on. A wrench or a key left attached to a rotating part of the power tool may result in personal injury.

e) Do not overreach. Keep proper footing and balance at all times. This enables better control of the power tool in unexpected situations.

f) Dress properly. Do not wear loose clothing or jewellery. Keep your hair, clothing and gloves away from moving parts. Loose clothes, jewellery or long hair can be caught in moving parts.

g) If devices are provided for the connection of dust extraction and collection facilities, ensure these are connected and properly used. Use of dust collection can reduce dust-related hazards.

4) Power tool use and care

a) Do not force the power tool. Use the correct power tool for your application. The correct power tool will do the job better and safer at the rate for which it was designed.

b) Do not use the power tool if the switch does not turn it on and off. Any power tool that cannot be controlled with the switch is dangerous and must be repaired.

c) Disconnect the plug from the power source and/or the battery pack from the power tool before making any adjustments, changing accessories, or storing power tools. Such preventive safety measures reduce the risk of starting the power tool accidentally.

d) Store idle power tools out of the reach of children and do not allow persons unfamiliar with the power tool or these instructions to operate the power tool. Power tools are dangerous in the hands of untrained users.

e) Maintain power tools. Check for misalignment or binding of moving parts, breakage of parts and any other condition that may affect the power tools operation. If damaged, have the power tool repaired before use. Many accidents are caused by poorly maintained power tools.

f) Keep cutting tools sharp and clean. Properly maintained cutting tools with sharp cutting edges are less likely to bind and are easier to control.

g) Use the power tool, accessories and tool bits etc. in accordance with these instructions and in the manner intended for the particular type of power tool, taking into account the working conditions and the work to be performed. Use of the power tool for operations different from those intended could result in a hazardous situation.

5) Service

a) Have your power tool serviced by a qualified repair person using only identical replacement parts. This will ensure that the safety of the power tool is maintained.

Rotary Hammer Drill Safety Warnings

WARNING!

This appliance is not intended for use by persons (including children) with reduced physical, sensory or mental capabilities, or lack of experience and knowledge, unless they have been given supervision or instruction concerning use of the appliance by a person responsible for their safety.

- **Wear ear protectors.** Exposure to noise can cause hearing loss.
- **Use auxiliary handle(s), if supplied with the tool.** Loss of control can cause personal injury.
- **Hold power tool by insulated gripping surfaces, when performing an operation where the cutting accessory may contact hidden wiring or its own cord.** Cutting accessory contacting a "live" wire may make exposed metal parts of the power tool "live" and could give the operator an electric shock.
- Always use an approved extension lead suitable for the power input of this tool. Before use, inspect the extension lead for signs of damage, wear and ageing. Replace the extension lead if damaged or defective.
- When using an extension lead on a reel, always unwind the lead completely. Use of an extension lead not suitable for the power input of the tool or which is damaged or defective may result in a risk of fire and electric shock.
- It is recommended that the extension lead is a maximum of 25m in length. Do Not use multiple extension leads.
- Before drilling into walls, ceilings etc, ensure there are no concealed power cables or pipes in the cavity.
- Always use the side handle, this gives you greater control if the accessory should become jammed.
- Keep the cord clear of the accessory being used, do not wrap the cord around your arm or wrist.
- Hold the tool by the insulated gripping surfaces when performing an operation where the accessory may contact hidden wiring or its own cord.
- Use thick cushioned gloves and limit the exposure time by taking frequent breaks.
- Vibration caused by the hammer action may be harmful to your hands and arms.
- When removing an accessory from the tool avoid contact with skin and use proper protective gloves when grasping the bit or accessory. Accessories may be hot after prolonged use.
- Prior to changing modes, the on/off trigger should be released and the rotary hammer drill should come to a complete stop.

WARNING!

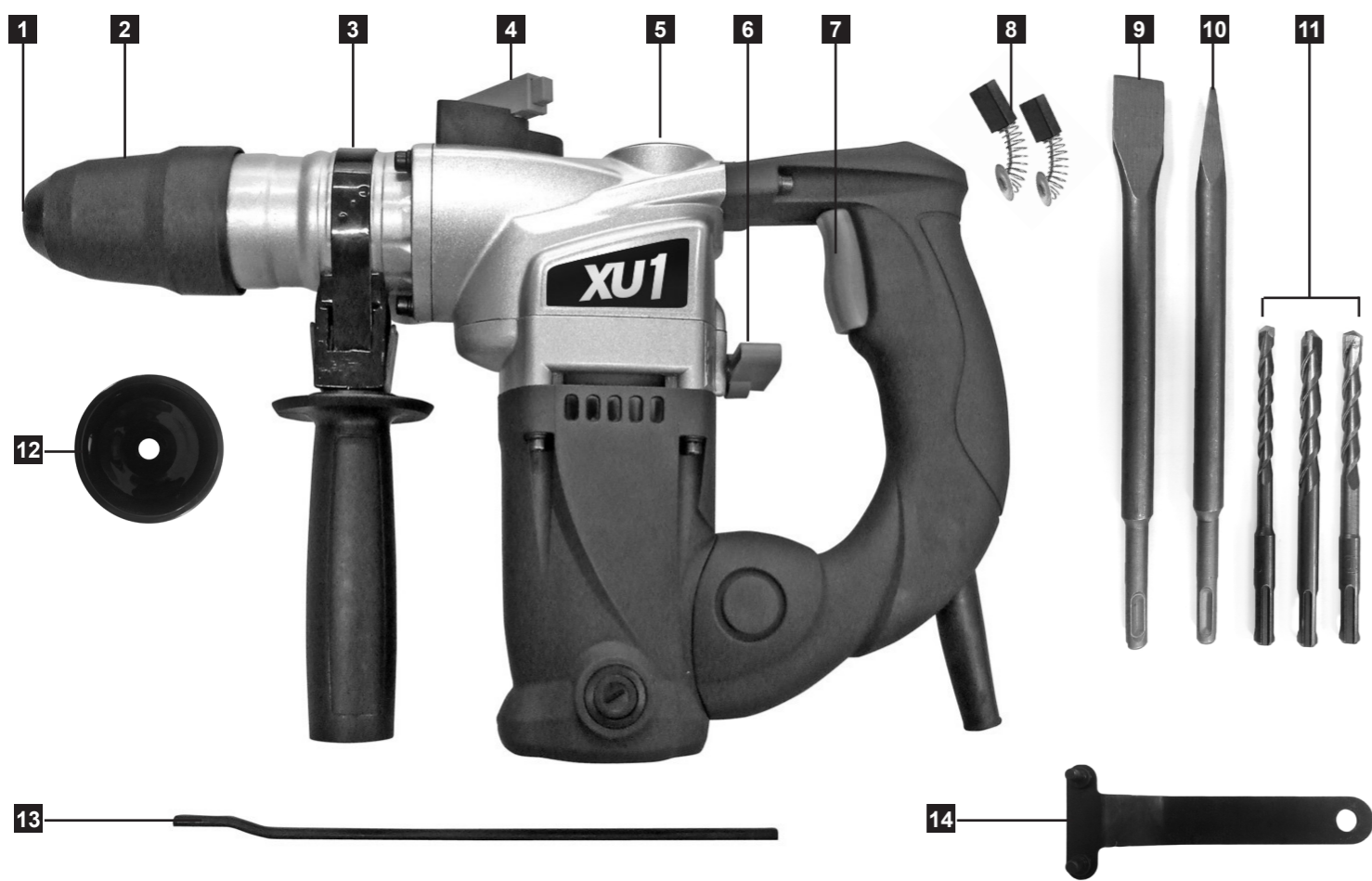
Some dust created by power sanding, sawing, grinding, drilling and other construction activities contain chemicals known to cause cancer, birth defects or other reproductive harm.

Some examples of these chemicals are:

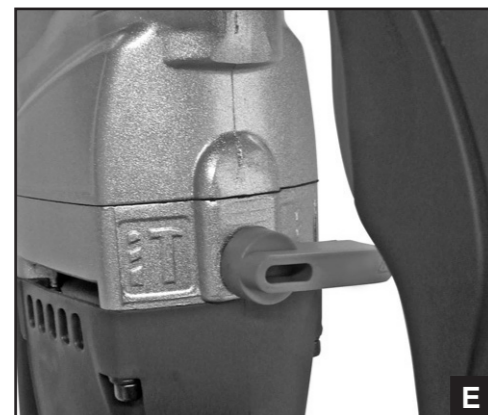
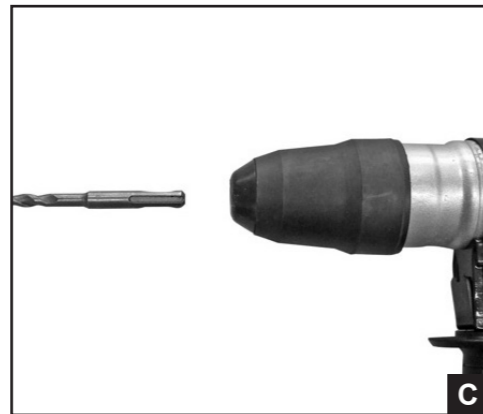
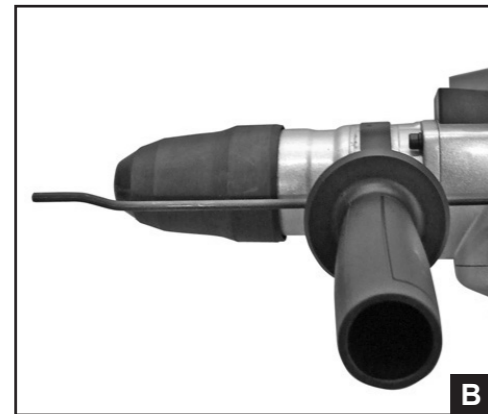
- Lead from lead-based paints;
- Crystalline silica from bricks, cement and other masonry products, and;
- Arsenic and chromium from chemically-treated timber.

The risk from such exposures vary depending on how often you do this type of work. To reduce your exposure to these chemicals; work in a well ventilated area, and work with approved safety equipment, such as those dust masks that are specifically designed to filter out microscopic particles.

Always wear eye protection and a dust mask for dusty applications and when drilling/chiselling overhead. Sanding particles can be absorbed by your eyes and inhaled easily and may cause health complications.



- | | | |
|------------------------------|-----------------------|--------------------|
| 1. SDS-Plus Accessory Holder | 6. Rear Mode Selector | 11. Drill Bits x 3 |
| 2. Accessory Locking Sleeve | 7. On/Off Trigger | 12. Dust Cover |
| 3. Auxiliary Handle | 8. Spare Brushes | 13. Depth Rod |
| 4. Top Mode Selector | 9. Flat Chisel | 14. Pin Spanner |
| 5. Grease Cap | 10. Pointed Chisel | |



SPECIFICATIONS

Power:	900W
Impact Energy:	2.6 Joules
Impact Rate:	4,100 /min
No Load Speed:	850 /min
Accessory Fitment:	SDS-Plus
Max. Drilling Capacity:	26mm Concrete/stone
Weight:	4.3kg

USING YOUR ROTARY HAMMER DRILL KIT

WARNING! Be sure to disconnect the tool from the power supply before fitting or removing accessories.

This tool is intended for use in a DIY (Do It Yourself) context or for hobbyist purposes. It is not built for continuous daily use in a trade or professional capacity.

Before using the machine, carefully read these instructions, especially the safety rules to help ensure that your machine always operates properly.

Before attempting to operate the machine, familiarise yourself with the controls and make sure you know how to stop the machine quickly in an emergency.

Save these instructions and the other documents supplied with this machine for future reference.

WARNING! Ensure the tool is disconnected from the power supply before performing any of the following operations.

Auxiliary Handle

The auxiliary handle must be fitted securely before operating the rotary hammer drill. The handle can be adjusted to suit all users by simply rotating into the desired orientation.

- Loosen the auxiliary handle by rotating it anti-clockwise.
- Reposition the handle into the desired place.
- Tighten the auxiliary handle by rotating the handle clockwise to secure in position. **FIG. A**

Depth Stop

The depth stop can be used to drill to a predetermined depth.

- Loosen the auxiliary handle by rotating it anti-clockwise.
- Insert the depth stop into the auxiliary handle and position at the desired depth. **FIG. B**
- Secure in place by rotating the auxiliary handle clockwise.

Fitting Accessories

IMPORTANT! Always lubricate the accessory fitment prior to inserting. Using your finger apply grease sparingly to the shaft of the accessory.

- Pull back the accessory locking sleeve and hold.
- Insert the accessory into the chuck as far as possible while rotating. **FIG. C**
- Release the accessory locking sleeve to lock the attachment in place.
- Ensure the accessory is secure by pulling on the accessory.
Note: The accessory should slide in the chuck but not be able to be removed.

Removing Accessories

CAUTION! Allow the accessory and tool to cool down after operation to prevent burns.

- Pull back the accessory locking sleeve and hold.
- Remove the accessory from the chuck.
- Release the accessory locking sleeve.

Fitting the Dust Cover

The dust cover catches dust and debris while using the drill upright or overhead to avoid dust entering the air vents.

- Slide the dust cover over the accessory.

OPERATION

WARNING! The power supply for this product should be protected by a residual current device (rated at 30mA or less).

Operation Modes

Prior to changing modes, the on/off trigger should be released and the rotary hammer drill should come to a complete stop.

Drilling Mode

This setting is recommended for use when you desire the accessory to rotate without hammer action. Ideal for drilling into timber or steel.

- Rotate the top mode selector to the hammer and drill icon. **FIG. D**
- Rotate the rear mode selector to the drill icon. **FIG. E**

Hammer Drilling Mode

This setting is recommended for use when drilling holes in concrete and other masonry products. The hammer action will be in operation while the drill bit rotates.

- Rotate the top mode selector to the hammer and drill icon. **FIG. D**
- Rotate the rear mode selector to the drill and hammer icon.

Chiselling Mode

This setting is recommended for use when you desire a hammer action without the accessory rotating which is ideal for "chiselling or chipping" away at masonry products, pick or chisel accessory bits should be used.

- Rotate the top mode selector to the hammer icon.
- Rotate the rear mode selector to the drill and hammer icon.

On/Off Trigger

- To turn the rotary hammer drill on, squeeze the on/off switch. **FIG. F**
- To turn the tool off, release the on/off switch.

WARNING! After use, hold the tool away from your body until the drill stops completely. This may help to prevent serious injury.

Using the Rotary Hammer Drill

Do not use excessive force as this will decrease the efficiency of the tool.

- Ensure the accessory and auxiliary handle are secure.
- Ensure the correct settings have been selected on both mode selectors.
- Hold the tool firmly with both hands.
- Press the on/off trigger to begin operation.
- Once the task is complete release the on/off trigger.

MAINTENANCE

WARNING! Ensure the tool is disconnected from the power supply before performing any of the following operations.

Keep the ventilation slots of the drill clean at all times. If possible prevent foreign matter from entering the vents.

After each use, blow air through the tool housing to ensure it is free from all dust particles that may build up.

CAUTION: Excessive build-up of dust particles may cause the drill to overheat and fail.

If the enclosure of the tool requires cleaning, use a soft, moist cloth only. Do not use solvents.

CAUTION: Never immerse any part of the tool in liquid.

Carbon brushes will wear out after many uses, causing the tool to spark and/or stop. The brushes are a wearing component of the rotary hammer drill and should be replaced prior to the carbon wearing out completely. Take the tool to a suitably qualified electrician or power tool repairer for replacement. Always replace both brushes at the same time.

Note: XU1 will not be responsible for any damage or injuries caused by the repair of the tool by an unauthorised person or by mishandling of the tool.

Gear Box Grease Replenishment

The grease in the gearbox will require replenishment after approximately 50 hours accumulative use. After this time, add approximately 50 grams (approx 2 – 3 teaspoons) of the grease (supplied), into the gearbox.

- Remove the grease cap from the drill by using the pin spanner.
- Once removed, add the grease through this hole.
- Ensure the grease cap is secured back into position prior to operation.

Further grease (normal ball bearing grease) can be purchased through your local Bunnings Warehouse.

WARRANTY

All of our products undergo strict quality checks to ensure that they reach you in perfect condition. In the unlikely event that your device develops a fault, please contact our service department at the address shown on this guarantee card. You can also contact us by telephone using the customer service number shown. Please note the following terms under which guarantee claims can be made:

1. These warranty terms regulate additional warranty services, which the manufacturer mentioned below promises to buyers of its new products in addition to their statutory guarantee claims are not affected by this guarantee. Our guarantee is free of charge to you.

2. The warranty services only covers defects due to material or manufacturing faults on a product which you have bought from the manufacturer mentioned below are limited to either the rectification of said defects on the product or the replacement of the product, whichever we prefer.

Please note that our devices are not designed for use in commercial, trade or professional applications. A guarantee contract will not be created if the device has been used by commercial, trade or industrial business or has been exposed to similar stresses during the guarantee period.

3. The following are not covered by our guarantee:

- Damage to the device caused by a failure to follow the assembly instructions or due to incorrect installation, a failure to follow the operating instructions (for example connecting it to an incorrect mains voltage or current type) or a failure to follow the maintenance and safety instructions or by exposing the device to abnormal environmental conditions or by lack of care and maintenance.
- Damage to the device caused by abuse or incorrect use (for example overloading the device or the use of unapproved tools or accessories), ingress of foreign bodies into the device (such as sand, stones or dust, transport damage), the use of force or damage caused by external forces (for example by dropping it).
- Damage to the device or parts of the device caused by normal or natural wear or tear or by normal use of the device.

4. Your Product is guaranteed for a period of 12 months from the original date of purchase and is intended for DIY (Do It Yourself) use only. Warranty excludes consumable parts, for example: drill and chisel bits. Guarantee claims should be submitted before the end of the guarantee period within two weeks of the defect being noticed. No guarantee claims will be accepted after the end of the guarantee period. The original guarantee period remains applicable to the device even if repairs are carried out or parts are replaced. In such cases, the work performed or parts fitted will not result in an extension of the guarantee period, and no new guarantee will become active for the work performed or parts fitted. This also applies if an on-site service is used.

IN ORDER TO MAKE A CLAIM UNDER THIS WARRANTY YOU MUST RETURN THE PRODUCT TO THE PLACE OF PURCHASE WITH YOUR REGISTER RECEIPT.

Please refer to the restrictions of this warranty concerning wearing parts, consumables and missing parts as set out in the service information in these operating instructions.

CUSTOMER SERVICE HELPLINE
GB: 0151 294 4488
IRL: 1850 882711

XU1
Unit 9 Stadium Court, Wirral International Business Park, Plantation Road, Bromborough, Wirral, CH62 3QG