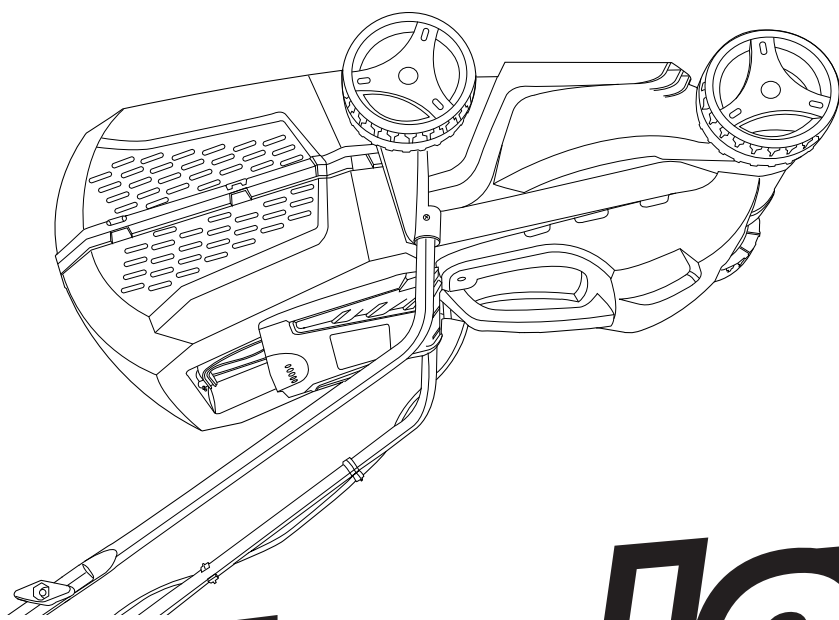


Operating instructions

WTX-1032U



REPLACEMENT WARRANTY
12 MONTHS HOME USE



1000W
LAWN MOWER
Electric Lawn Mower

OX

SAFETY INSTRUCTIONS

Electrical safety

Before you connect the equipment to the mains supply make sure that the data on the rating plate are identical to the mains data.

ALWAYS PULL THE POWER PLUG BEFORE MAKING ADJUSTMENTS TO THE EQUIPMENT.

This tool is double insulated; therefore no earth wire is required.

Using an extension lead

Always use an approved extension lead suitable for the power input of this tool. Before use, inspect the extension lead for signs of damage, wear and ageing. Replace the extension lead if damaged or defective.

When using an extension lead on a reel, always unwind the lead completely. Use of an extension lead not suitable for the power input of the tool or which is damaged or defective may result in a risk of fire and electric shock.

The power supply for this product should be protected by a residual current device (rated at 30mA or less). A residual current device reduces the risk of electric shock.

If the supply cord of this power tool is damaged, it must be replaced by a specially prepared cord available through the service organization.

Danger!

When using the equipment, a few safety precautions must be observed to avoid injuries and damage. Please read the complete operating instructions and safety regulations with due care. Keep this manual in a safe place, so that the information is available at all times. If you give the equipment to any other person, hand over these operating instructions and safety regulations as well. We cannot accept any liability for damage or accidents which arise due to a failure to follow these instructions and the safety instructions.

Safety regulations

The corresponding safety information can be found in the enclosed booklet.

Danger!

Read all safety regulations and instructions. Any errors made in following the safety regulations and instructions may result in an electric shock, fire and/or serious injury.

Keep all safety regulations and instructions in a safe place for future use.

Description of symbols



Read the directions for use before operating the equipment.



Keep all other persons away from the danger zone.



Caution: Sharp blades! Pull out the power plug before carrying out any repair work or if the power cable is damaged. The blades will continue to rotate after the motor is switched off.



Caution: Keep the power cable away from the cutters!



Caution: Keep the power cable away from the cutters!



Caution: Keep the power cable away from the cutters!



Decibel level



General Power Tool Safety Warnings

WARNING! Read all safety warnings and all instructions. Failure to follow the warnings and instructions may result in electric shock, fire and/or serious injury. Save all warnings and instructions for future reference. The term "power tool" in all of the warnings refers to your mains-operated (corded) power tool or battery-operated (cordless) power tool.

1. Work area safety

a. **Keep work area clean and well lit.** Cluttered or dark areas invite accidents.

b. **Do not operate power tools in explosive atmospheres, such as in the presence of flammable liquids, gases or dust.** Power tools create sparks which may ignite the dust or fumes.

c. **Keep children and bystanders away while operating a power tool.** Distractions can cause you to lose control.

2. Electrical safety

a. **Power tool plugs must match the outlet. Never modify the plug in any way. Do not use any adapter plugs with earthed (grounded) power tools.** Unmodified plugs and matching outlets will reduce risk of electric shock.

b. **Avoid body contact with earthed or grounded surfaces, such as pipes, radiators, ranges and refrigerators.** There is an increased risk of electric shock if your body is earthed or grounded.

c. **Do not expose power tools to rain or wet conditions.** Water entering a power tool will increase the risk of electric shock.

d. **Do not abuse the cord. Never use the cord for carrying, pulling or unplugging the power tool. Keep cord away from heat, oil, sharp edges or moving parts.** Damaged or entangled cords increase the risk of electric shock.

e. **When operating a power tool outdoors, use an extension cord suitable for outdoor use.** Use of a cord suitable for outdoor use reduces the risk of electric shock.

f. **If operating a power tool in a damp location is unavoidable, use a residual current device (RCD) protected supply.** Use of an RCD reduces the risk of electric shock.

3. Personal safety

a. **Stay alert, watch what you are doing and use common sense when operating a power tool. Do not use a power tool while you are tired or under the influence of drugs, alcohol or medication.** A moment of inattention while operating power tools may result in serious personal injury.

b. **Use personal protective equipment. Always wear eye protection.** Protective equipment such as dust mask, non-skid safety shoes, hard hat, or hearing protection used for appropriate conditions will reduce personal injuries.

c. **Prevent unintentional starting. Ensure the switch is in the off-position before connecting to power source and/or battery pack, picking up or carrying the tool.** Carrying power tools with your finger on the switch or energising power tools that have the switch on invites accidents.

d. **Remove any adjusting key or wrench before turning the power tool on.** A wrench or a key left attached to a rotating part of the power tool may result in personal injury.

e. **Do not overreach. Keep proper footing and balance at all times.** This enables better control of the power tool in unexpected situations.

f. **Dress properly. Do not wear loose clothing or jewellery. Keep your hair, clothing and gloves away from moving parts.** Loose clothes, jewellery or long hair can be caught in moving parts.

g. **If devices are provided for the connection of dust extraction and collection facilities, ensure these are connected and properly used.** Use of dust collection can reduce dust-related hazards.

h) **Do not let familiarity gained from frequent use of tools allow you to become complacent and ignore tool safety principles.** A careless action can cause severe injury within a fraction of a second.

4. **Power tool use and care**
a. **Do not force the power tool. Use the correct power tool for your application.** The correct power tool will do the job better and safer at the rate for which it was designed.

b. **Do not use the power tool if the switch does not turn it on and off.** Any power tool that cannot be controlled with the switch is dangerous and must be repaired.

c. **Disconnect the plug from the power source and/or remove the battery pack, if detachable, from the power tool before making any adjustments, changing accessories, or storing power tools.** Such preventive safety measures reduce the risk of starting the power tool accidentally.

d. **Store idle power tools out of the reach of children and do not allow persons unfamiliar with the power tool or these instructions to operate the power tool.** Power tools are dangerous in the hands of untrained users.

e. **Maintain power tools and accessories. Check for misalignment or binding of moving parts, breakage of parts and any other condition that may affect the power tool's operation. If damaged, have the power tool repaired before use.** Many accidents are caused by poorly maintained power tools.

f. **Keep cutting tools sharp and clean.** Properly maintained cutting tools with sharp cutting edges are less likely to bind and are easier to control.

g. **Use the power tool, accessories and tool bits etc. in accordance with these instructions, taking into account the working conditions and the work to be performed.** Use of the power tool for operations different from those intended could result in a hazardous situation.

h) **Keep handles and grasping surfaces dry, clean and free from oil and grease.** Slippery handles and grasping surfaces do not allow for safe handling and control of the tool in unexpected situations.

5. Service

a. **Have your power tool serviced by a qualified repair person using only identical replacement parts.** This will ensure that the safety of the power tool is maintained.

Lawn Mower Safety Warnings

General safety regulations for this electrical tool.

This equipment is not allowed to be used by children. Children should be supervised so that they do not play with the equipment. Children are not allowed to carry out the cleaning or maintenance. This equipment is not allowed to be used by people with limited physical, sensory or mental capacities or by those with insufficient knowledge or experience unless they are supervised or instructed by a person who is responsible for them.

Safety instructions for hand mower.

• Before use, check the mains cable and extension cable for signs of damage and aging.

• If the cable is damaged during operation, disconnect it immediately from the power supply.

• Check the machine for signs of damage before use. Repairs may only be carried out by our service workshop. If unusual vibrations occur during use, switch the machine off immediately and pull the plug. Check the cutters and clean them if necessary. If the machine continues to vibrate, switch it off, disconnect it from the mains supply and send it to our service workshop.

• The machine must not be tipped whilst it is being started. Both hands must be on the handle when you start the machine.

• Worn parts may only be replaced by our service workshop. If necessary contact the service address provided.

WARNINGS

• Do not use the mower if the connection cable is damaged or worn.

• Do not use a damaged cable to connect the machine to the mains supply and do not touch a damaged cable whilst it is connected to the mains. A damaged cable can result in contact with live parts.

• Do not touch the cutters until the machine has been disconnected from the mains and the cutters have reached a complete standstill.

• Keep extension cables away from the cutters. The cutters can damage the cables and result in contact with live parts.

• Break the connection with the mains supply (in other words pull the plug out of the socket);

- whenever you leave the machine unattended;

- before released a blocked cutter;

- before inspecting or cleaning and before working on the machine;

- if a foreign body has been struck;

- whenever the machine starts to vibrate oddly.

• Carefully read the instructions for how to operate the machine safely.

• We recommend that the machine is only connected to a power supply protected by means of an earth-leakage circuit breaker (RCD) with a maximum trip current of 30 mA.

Note:

a) Read the directions with due care. Familiarize yourself with the operator controls and proper operation of the machine.

b) Never allow children or other persons who are not familiar with the operating instructions to use the mower. Contact your local governmental agency for information regarding minimum age requirements for the user.

c) Never mow in the direct vicinity of persons - especially children - or animals.

d) Always keep in mind that the operator or user of the equipment is responsible for accidents involving other persons and/or their property.

Preliminary measures

a) Always wear sturdy, non-slip footwear and long trousers when mowing. Never mow barefoot or in sandals. Avoid wearing loosely fitting clothes or clothing with hanging belts or cords.

b) Check the ground on which the equipment will be used and remove all objects that could be caught up or violently flung out.

c) Before using the scythe, visually inspect it to ensure that the blade, mounting bolts and the entire cutting apparatus are in good working order (i.e. not worn out or damaged). To prevent any imbalance, replace worn out or damaged blades and mounting bolts as a set only (if applicable). Worn or damaged cutting tools must be replaced. Cutters have reached a complete standstill.

• Keep extension cables away from the cutters. The cutters can damage the cables and result in contact with live parts.

• Break the connection with the mains supply (in other words pull the plug out of the socket): - whenever you leave the machine unattended; - before released a blocked cutter; - before inspecting or cleaning and before working on the machine;

- if a foreign body has been struck;

- whenever the machine starts to vibrate oddly.

• Carefully read the instructions for how to operate the machine safely.

• We recommend that the machine is only connected to a power supply protected by means of an earth-leakage circuit breaker (RCD) with a maximum trip current of 30 mA.

Handling

a) Only mow in broad daylight or in well-lit conditions.

b) Do not use the machine on wet grass.

c) Always maintain good footing on inclines.

d) Only operate the machine at a walking pace.

e) Always mow across hills i.e. never straight up or straight down.

f) Be particularly careful when you change direction on a slope.

g) Do not mow on overly steep inclines.

h) Always be extra careful when turning the mower around and when pulling it towards you.

i) Switch the mower off, pull the plug and wait until the cutters have reached a complete standstill if you need to tip the mower over, transport it over surfaces other than grass and if the mower has to be moved from and to the area you wish to mow.

j) Never use the lawn mower if the guards are damaged or without the attached guards, e.g. deflectors and/or grass catching devices.

k) Use the ON/OFF switch carefully as described in the manufacturer's instructions. Make sure that your feet are far enough away from the mower blade!

l) The lawn mower should not be tilted when the motor is switch on unless it has to be raised for starting purposes. In this case, tilt it as little as absolutely necessary and only raise the side opposite to that of the user.

m) Do not switch on the mower if you are positioned in front of the chute.

n) Never move your hands or feet toward or under any rotating parts. Keep clear of the chute opening at all times.

o) Never lift or carry a lawn mower with the engine running.

p) Switch off the motor and pull the plug out of the socket. Make sure that all moving parts have reached a complete standstill.

- before you dislodge any blockages or clogs in the chute.

- before carrying out any checks, cleaning, maintenance or other work on the lawn mower.

- if you have struck a foreign object. Examine the mower for signs of damage and carry out any necessary repairs before restarting and continuing to work with the mower.

- if the lawn mower begins to experience exceptionally strong vibrations, immediately switch it off and check it.

- Search for damage.

- Repair the damaged parts as required.

- Make sure that all nuts, bolts and screws are fastened securely.

q) Switch off the mower and pull the plug whenever you leave the mower. Maintenance and storage

Maintenance and storage

a) Make sure that all nuts, bolts and screws are tightened securely and that the machine is in safe working condition.

b) Allow the mower to cool before you put it into an enclosed area.

c) To avoid the risk of fire, keep the motor housing and ventilation slots clear of grass, leaves, oil and grease.

d) Routinely check the grass basket for signs of wear and impaired functionality.

e) For your own safety, have worn or damaged parts replaced without delay.

f) Take care not to jam your fingers between moving cutting tools and stationary parts of the equipment while you are adjusting the equipment.

g) While you are carrying out maintenance work on the cutting tools, remember that the cutting tools can still be moved even if the power source has been switched off.

h) For your own safety, replace worn or damaged parts without delay. Use only original spare parts and original accessories.

Danger!

Sound and vibration

Sound and vibration values were measured in accordance with the standards EN ISO 3744: 1995, EN ISO 11201: 1995, and EN ISO 20643: 2005.

L_{WA} at the operator position: 80.4dB(A)

K_{WA} Uncertainty: 3 dB(A)

L_{WA} Sound Power Level: 96 dB(A)

K_{WA} Uncertainty: 3 dB(A)

Vibration at the handlebars ah: 1.632 m/s²

K uncertainty: 1.5 m/s²

Keep the noise emissions and vibrations to a minimum

• Only use appliances which are in perfect working order.

• Service and clean the appliance regularly.

• Adapt your working style to suit the appliance.

• Do not overload the appliance.

• Have the appliance serviced whenever necessary.

• Switch the appliance off when it is not in use.

• Wear protective gloves.

• Limit your working time

Caution! Residual risks

Even if you use this electric power tool in accordance with instructions, certain residual risks cannot be ruled out. The following hazards may arise in connection with the equipment's construction and layout:

1. Lung damage if no suitable protective dust mask is used.

2. Damage to hearing if no suitable ear protection is used.

Warning!

This equipment generates an electromagnetic field during operation. Under certain circumstances this field may actively or passively impede medical implants. To reduce the risk of serious or fatal injuries, we recommend persons with medical implants to consult their doctor and the manufacturer of the medical implant prior to using the equipment.

For EU countries only

Never place any electric power tools in your household refuse.

To comply with European Directive 2012/19/EC concerning old electric and electronic equipment and its implementation in national laws, old electric power tools have to be separated from other waste and disposed of in an environment-friendly fashion, e.g. by taking to a recycling depot.

Recycling alternative to the return request: As an alternative to returning the equipment to the manufacturer, the owner of the electrical equipment must make sure that the equipment is properly disposed of if he no longer wants to keep the equipment. The old equipment can be returned to a suitable collection point that will dispose of the equipment in accordance with the national recycling and waste disposal regulations. This does not apply to any accessories or aids without electrical components supplied with the old equipment.

Subject to technical changes

Power supply

The lawn mower can be connected to any light socket-outlet with a 230-240 Volt alternating current. However, the socket outlet must have an earthing contact protected by a 16 A circuit breaker.

Additionally, a residual current device (RCD) circuit-breaker with max. 30 mA must be used!

Power cable for the device

Please only use power cables that are not damaged. The total length of the power cable should not exceed 40 meters; going beyond this distance will reduce the power output of the electric motor. The power cable must have a cross-section of 3 x 1.5 mm². The insulating sheath of lawn aerator power cables is frequently damaged.

Some of the causes for this are:

- Cuts caused by running over the cable
- Pinching when the power cable is dragging under doors and pulled through windows.
- Cracking due to old age of the insulation
- Kinking by improperly fastening or guiding the power cable

The power cables must, at the very minimum, be of type H05RN-F and 3-stranded. The cable type must be printed somewhere on the power cable. Only purchase power cables that are marked as such! Plugs and socket couplers for the power cables must be made from rubber and be splash proof. There is a limit to how long power cables can be. Longer power cables require larger conductor cross-sections. Power cables and connecting lines must be regularly checked for damage. Ensure that the lines are de-energized before checking them. Completely unwind the power cable. Also check power cable entry points, plugs and socket couplers for kinks.

SERVICE INFORMATION

Please note that the following parts of this product are subject to normal or natural wear and that the following parts are therefore also required for use as consumables.

Category	Example
Wear parts*	V-belt, Carbon brushes,
Consumables*	Blade
Missing parts	

* Not necessarily included in the scope of delivery!

SPARE PARTS

Spare parts can be ordered from the Special Orders Desk at your local Bunnings Warehouse or Homebase store. For further information, or any parts visit www.ozito-diy.co.uk or contact Ozito Customer Service: Great Britain: 0151 294 4488 Ireland: 1850 882711 E-mail: info@ozito-diy.co.uk

Subject to technical changes

ISC GmbH · Eschenstraße 6 · D-94405 Landau/Isar



explains the following conformity according to EU directives and norms for the following product

Electric Lawn Mower XLM-1032U (XU1)

- | | |
|---|---|
| <input type="checkbox"/> 2014/29/EU | <input checked="" type="checkbox"/> 2006/42/EC |
| <input type="checkbox"/> 2005/32/EC_2009/125/EC | <input type="checkbox"/> Annex IV
Notified Body No.:
Reg. No.: |
| <input type="checkbox"/> 2014/35/EU | |
| <input type="checkbox"/> 2006/28/EC | |
| <input checked="" type="checkbox"/> 2014/30/EU | <input checked="" type="checkbox"/> 2000/14/EC_2005/88/EC |
| <input type="checkbox"/> 2014/32/EU | <input type="checkbox"/> Annex V |
| <input type="checkbox"/> 2014/53/EC | <input checked="" type="checkbox"/> Annex VI |
| <input type="checkbox"/> 2014/68/EU | Noise: measured L _{WA} = 94,3 dB (A); guaranteed L _{WA} = 96 dB (A)
P = 1 KW; L/Q = 32cm |
| <input type="checkbox"/> 90/396/EC_2009/142/EC | Notified Body: Societe Nationale de Certification et D Homologation
S.A.R.L. (SNCH) (0499) |
| <input type="checkbox"/> 89/686/EC_96/58/EC | <input type="checkbox"/> 2012/46/EU
Emission No.: |
| <input checked="" type="checkbox"/> 2011/65/EU | |

Standard references: EN 60335-2-77; EN 62233; EN 55014-1; EN 55014-2; EN 61000-3-2; EN 61000-3-3

Landau/Isar, den 28.09.2017

Weichselgartner/General-Manager

Gao/Product-Management

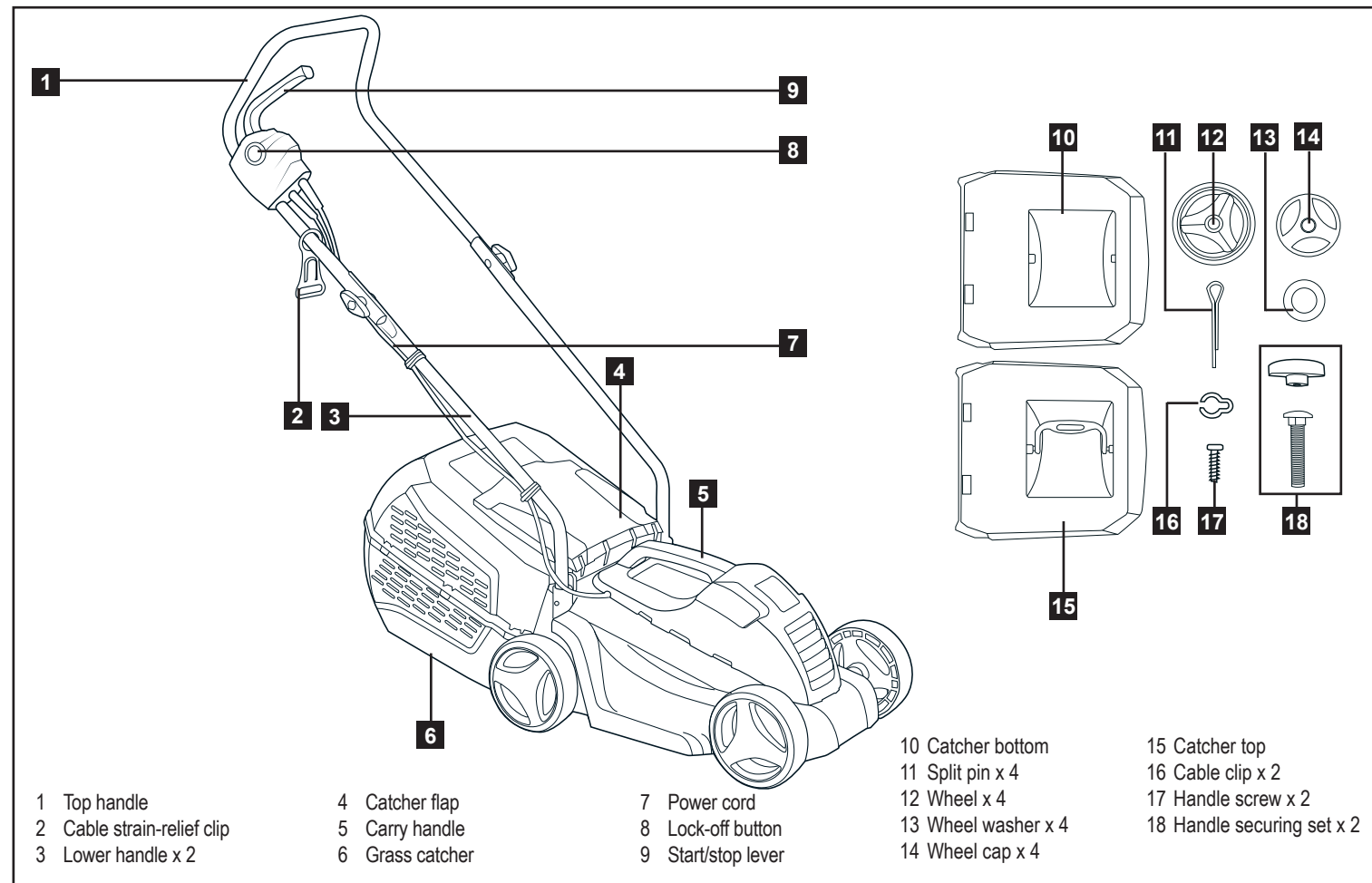
First CE: 17
Art.-No.: 30.002.17 I.-No.: 11017
Subject to change without notice

Archive-File/Record: NAPR017701
Documents registrar: R. Gehard
Wiesenweg 22, D-94405 Landau/Isar

XU1 Power tools

Telephone: GB: 0151 294 4488 / IRL: 1850 882711

XLM-1032U 1217



- | | | | | |
|----------------------------|-----------------|--------------------|---------------------|----------------------------|
| 1 Top handle | 4 Catcher flap | 7 Power cord | 10 Catcher bottom | 15 Catcher top |
| 2 Cable strain-relief clip | 5 Carry handle | 8 Lock-off button | 11 Split pin x 4 | 16 Cable clip x 2 |
| 3 Lower handle x 2 | 6 Grass catcher | 9 Start/stop lever | 12 Wheel x 4 | 17 Handle screw x 2 |
| | | | 13 Wheel washer x 4 | 18 Handle securing set x 2 |
| | | | 14 Wheel cap x 4 | |

SPECIFICATIONS

Mains Voltage:	230-240V-50Hz
Power Consumption:	1000W
Motor Speed:	3450 min-1
Cutting Width:	320mm
Cutting Heights:	30-55mm, 3 levels
Grass Catcher:	25 litres
Protection Class:	II
Tool Weight:	9.3kg

Items Supplied

Please check that the article is complete as specified in the scope of delivery. If parts are missing, please contact our service centre or the sales outlet where you made your purchase at the latest within 5 working days after purchasing the product and upon presentation of a valid bill of purchase. Also, refer to the warranty table in the service information at the end of the operating instructions.

- Open the packaging and take out the equipment with care.
- Remove the packaging material and any packaging and/or transportation braces (if available).
- Check to see if all items are supplied.
- Inspect the equipment and accessories for transport damage.
- If possible, please keep the packaging until the end of the guarantee period.

DANGER! The equipment and packaging material are not toys. Do not let children play with plastic bags, foils or small parts. There is a danger of swallowing or suffocating!

- Electric lawn mower
- Grass Catcher

Proper Use

The lawn mower is intended for private use i.e. for use in home and gardening environments.

Private use of the lawn mower refers to an annual operating time generally not exceeding that of 50 hours, during which time the machine is primarily used to maintain small-scale, residential lawns and home/hobby gardens. Public facilities, sporting halls, and agricultural/forestry applications are excluded.

Important.

Due to the high risk of bodily injury to the user, the lawn mower may not be used to trim bushes, hedges or shrubs, to cut scaling vegetation, planted roofs, or balcony-grown grass, to clean (suck up) dirt and debris off walkways, or to chop up tree or hedge clippings. Moreover, the lawn mower may not be used as a power cultivator to level out high areas such as molehills.

For safety reasons, the lawn mower may not be used as a drive unit for other work tools or toolkits of any kind, unless they have been expressly permitted by the manufacturer.

The equipment is to be used only for its prescribed purpose. Any other use is deemed to be a case of misuse. The user / operator and not the manufacturer will be liable for any damage or injuries of any kind caused as a result of this.

Please note that our equipment has not been designed for use in commercial, trade or industrial applications. Our warranty will be voided if the machine is used in commercial, trade or industrial businesses or for equivalent purposes.

ASSEMBLY

WARNING! Ensure the tool is disconnected from the power supply before performing any of the following operations.

Fitting the wheels FIG. A.

- Start by fitting a wheel to an axle.
- Fit a washer to the axle. Place the split pin through the hole in the axle and then bend the ends of the split pin around the axle.
- Attach the wheel cap to the wheel.
- Repeat these steps for all other wheels.

Fitting the lower handles FIG. B.

- Push the lower handle fully into the hole in the mower body.

Note: Ensure the hole in the lower handle aligns with the hole in the mower housing when fully inserted.

- Fit and secure in place with handle screws provided.
- Proceed in the same way on the other side.

Fitting the top handle FIG. C.

- Place the top handle over the upper ends of the lower handle. From the handle securing set, fit the bolts through the inner side of the lower handle and then through the holes in the top handle.
- Secure in place by screwing the handle securing knobs over the protruding ends of the bolts.

Fitting the cord clips FIG D.

- Secure the power cord running from the switch housing to the body of the mower by using the two cord clips.

Assembling the grass catcher FIG E.

- To assemble the grass catcher align the two halves and push them together, one side at a time. Ensure the two halves click together around the entire middle section.

OPERATION

WARNING! The power supply for this product should be protected by a residual current device (rated at 30mA or less).

Fitting and removing the grass catcher FIG F.

The catcher must be attached to the two hooks on the mower.

- Lift up the catcher flap with one hand and guide the catcher with your other hand over the two hooks on the mower housing.
- Lower the grass catcher and allow it to sit in place. Lower the catcher flap.

- To empty the grass catcher, lift the catcher flap with one hand then lift the grass catcher with the other hand up off the two raised housing hooks.

WARNING! When assembling the grass catcher back to the mower after emptying, always ensure there is no build up of grass in the grass chute. If needing to clear the grass, always ensure the mower is disconnected from the power supply prior to clearing. A build up of grass in the grass chute may prevent grass from moving into the grass catcher effectively

Adjusting the cutting height

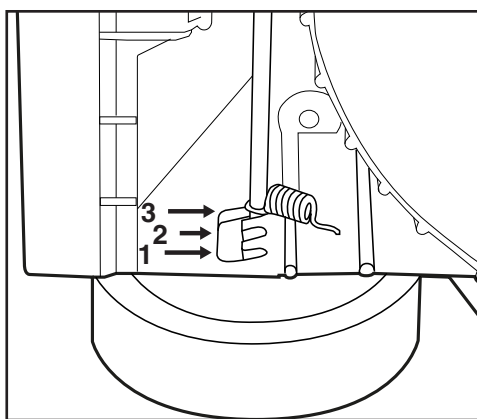
To obtain the desired cutting height, the front and rear axles are repositioned on the underside of the mower housing.

WARNING! Adjust the cutting height only when the motor has been switched off and the power cable has been disconnected.

- Turn the equipment upside down or tilt it to the side.
- Position both the front and rear axle in the same notch, so that the cutting blade runs parallel to the lawn.

Cutting height positions

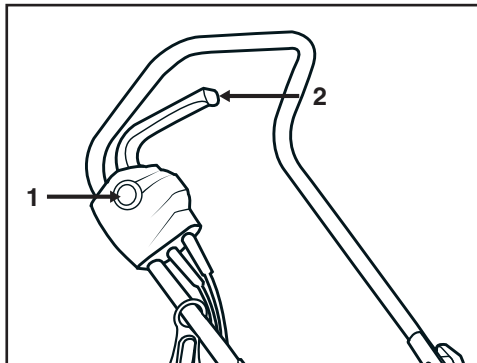
- 55mm (highest)
- 40mm
- 30mm (lowest)



Switching on

To prevent accidental start up of the motor the mower is fitted with a dual action switch.

- To start, press and hold the lock-off button.
- Pull the start/stop lever towards the handle, the motor will start, then release the lock-off button.



Switching off

- To Release the start/stop lever to stop the mower.

WARNING! The blade will coast after the switch has been released. Be aware of the necessary time it takes for the blade to stop rotating. Do not attempt to stop the blade.

Overload protection

The mower has an internal cut off switch which will stop the operation of the motor temporarily if too high in temperature. This cut off switch will suddenly stop the motor from operating should the motor become too hot during the operation of the mower.

First disconnect the mower from the power supply and inspect blade for any obstructions.

A wait of 10 minutes in cooling time, or longer depending on ambient temperature and the operation being performed, before switching On the mower and resuming normal operation.

Mowing tips

- Always use an approved extension lead suitable for power input of this tool.
- Heavy duty power leads recommended.
- While using your lawn mower always wear suitable footwear and long trousers.
- Make sure the lawn is clear of sticks, stones, wire and debris; they could be thrown by the blade.
- Before using the lawn mower and after any impact, check for signs of wear or damage and repair as necessary.

- Replace a worn or damaged blade together with the blade bolt to preserve balance.

- Start mowing the edge of the lawn nearest to the power point so the lead is laid out on the lawn you have already cut.

- For best grass collection, always mow in a straight line; do not swing the lawn mower from side to side.

- It is recommended that you overlap the mowing swaths. The swaths should overlap each other by a few centimetres in order to avoid stripes.

- Only use a sharp blade that is in good condition. This will prevent the grass blades from fraying and the lawn from turning yellow.

- Try to mow in straight lines for a nice, clean look.

- The cutting height should be between 4 – 6cm and the amount of growth before mowing again should be 4 – 5cm. If the grass is allowed to grow somewhat longer for whatever reason, do not make the mistake of cutting it back to the normal height in one go. This will harm the lawn. Never cut it back by more than half the height in one go.

- Keep the underside of the mower housing clean and remove grass build-up. Deposits not only make it more difficult to start the mower; they decrease the quality of the cut and make it harder for the equipment to bag the grass.

Carbon brushes

In case of excessive sparking, have the carbon brushes checked only by a qualified electrician. Danger! The carbon brushes should not be replaced by anyone but a qualified electrician.

Servicing

- Worn out or damaged blades, blade mounts, and bolts should be replaced as a set by an authorized professional in order to keep the machine in balance.

- Do not clean the lawn mower with running water, particularly with high-pressure water. Ensure that all mounting components (i.e. screws, bolts, nuts etc.) are always tightened so that the machine can be safely operated at all times.

- Frequently check the grass catch assembly for signs of wear.

- Replace excessively worn or damaged parts immediately.

- Store your lawn mower in a dry room.

- In order to ensure that you enjoy your scarifier for many years to come, all screwed parts, as well as the wheels and axles, should be cleaned and lubricated.

- Keeping your hand mower in good condition not only ensures a long life span and high performance, but also enables the machine to thoroughly cut your grass with minimal effort. For best results, clean the lawn mower with a brush or rag. Do not use any solvents or water to remove dirt.

- The cutting components - i.e. the knife cage and lower knife blade - are subjected to more wear and tear than any other component of the unit. Therefore, routinely check the condition of the blade and make sure that it is tightly fastened. If the blade is completely worn out, it must be immediately replaced or ground sharp again. An excessively vibrating mower means that the blade is not properly balanced or has become deformed from striking an object. In this case, the blade must be repaired or replaced.

Replacing the power cable

Danger! If the power cable for this equipment is damaged, it must be replaced by the manufacturer or its after-sales service or similarly trained personnel to avoid danger.

Replacing the blade

For safety reasons, we recommend having the blade replaced by an authorized professional. Important. Wear work gloves! Only replace the blade with a genuine XU1 replacement blade, as this will ensure top performance and safety under all conditions.

Carry out the following steps to change the blade:

- Undo the fastening screw.
- Remove the blade and replace with a new one.
- When fitting the blade, make sure it is installed in the right direction. The blade's air vanes must fit into the motor compartment. The dome mounts must be aligned with the punch holes in the blade

TROUBLESHOOTING

- Then retighten the fastening screw with the universal wrench. The tightening torque should be approx. 25 Nm. At the end of the season, perform a general inspection of the lawn mower and remove any grass and dirt which may have accumulated. At the start of each season, ensure that you check the condition of the blade. If repairs are necessary, please contact our customer service centre. Use only genuine spare parts.

Storage

Store the equipment and accessories out of children's reach in a dark and dry place at above freezing temperature. The ideal storage temperature is between 5°C and 30°C. Store the electric tool in its original packaging.

Fault	Possible causes	Remedies
The motor fails to start	a) The capacitor is defective b) There is no electricity at the plug c) The cable is defective d) The combined switch/plug is defective e) The connectors have become separated from the motor or the capacitor f) The mower is standing in high grass g) The mower housing is clogged	a) The mower housing is clogged. Have repaired by the Customer Service Center b) Check the cable and the fuse c) Check the cable d) Have repaired by the Customer Service Center e) Have repaired by the Customer Service Center f) Start in low grass or on an area that has already been mowed; change the cutting height if necessary g) Clean the housing so that the blade moves freely
The motor performance drops	a) The grass is too high or too damp b) The mower housing is clogged c) The blade is severely worn	a) Correct the cutting height b) Clean the housing c) Replace the blade
Cutting is irregular	a) The blade is worn b) Wrong cutting height	a) Replace or resharpen the blade b) Correct the cutting height

Important! For protection, the motor is equipped with a thermal switch which cuts out when the motor is overloaded and switches on again automatically after a short cooling period.

WARRANTY

All of our products undergo strict quality checks to ensure that they reach you in perfect condition. In the unlikely event that your device develops a fault, please contact our service department at the address shown on this guarantee card. You can also contact us by telephone using the customer service number shown. Please note the following terms under which guarantee claims can be made:

- These warranty terms regulate additional warranty services, which the manufacturer mentioned below promises to buyers of its new products in addition to their statutory guarantee claims are not affected by this guarantee. Our guarantee is free of charge to you.

- The warranty services only covers defects due to material or manufacturing faults on a product which you have bought from the manufacturer mentioned below are limited to either the rectification of said defects on the product or the replacement of the product, whichever we prefer. Please note that our devices are not designed for use in commercial, trade or professional applications. A guarantee contract will not be created if the device has been used by commercial, trade or industrial business or has been exposed to similar stresses during the guarantee period.

- The following are not covered by our guarantee:
 - Damage to the device caused by a failure to follow the assembly instructions or due to incorrect installation, a failure to follow the operating instructions (for example connecting it to an incorrect mains voltage or current type) or a failure to follow the maintenance and safety instructions or by exposing the device to abnormal environmental conditions or by lack of care and maintenance.
 - Damage to the device caused by abuse or incorrect use (for example overloading the device or the use of unapproved tools or accessories), ingress of foreign bodies into the device (such as sand, stones or dust, transport damage), the use of force or damage caused by external forces (for example by dropping it).
 - Damage to the device or parts of the device caused by normal or natural wear or tear or by normal use of the device.

- Your Product is guaranteed for a period of 12 months from the original date of purchase and is intended for DIY (Do It Yourself) use only. Warranty excludes consumable parts, for example: cutting blade. Guarantee claims should be submitted before the end of the guarantee period within two weeks of the defect being noticed. No guarantee claims will be accepted after the end of the guarantee period. The original guarantee period remains applicable to the device even if repairs are carried out or parts are replaced. In such cases, the work performed or parts fitted will not result in an extension of the guarantee period, and no new guarantee will become active for the work performed or parts fitted. This also applies if an on-site service is used.

IN ORDER TO MAKE A CLAIM UNDER THIS WARRANTY YOU MUST RETURN THE PRODUCT TO THE PLACE OF PURCHASE WITH YOUR REGISTER RECEIPT.

Please refer to the restrictions of this warranty concerning wearing parts, consumables and missing parts as set out in the service information in these operating instructions.

CUSTOMER SERVICE HELPLINE
GB: 0151 294 4488
IRL: 1850 882711

XU1

Unit 9 Stadium Court, Wirral International Business Park, Plantation Road, Bromborough, Wirral, CH62 3QG