

Electric Hammer Drill Global BH-G 1000

Art. No.: **42.583.40**

Bar code: 4006825425123

Sales unit: 3 pcs

Powerful hammer drill with SDS-Plus-chuck and additional handle in a handy case. Equipped with hammer stop facility for smooth initial drilling and with a rotation stop facility for chiseling work.

Features (electric hammer drill):

- Rotation stop facility (1)
- Hammer stop facility (2)
- SDS- Plus Drill-chuck (3)
- Additional handle (4)
- Bit stop

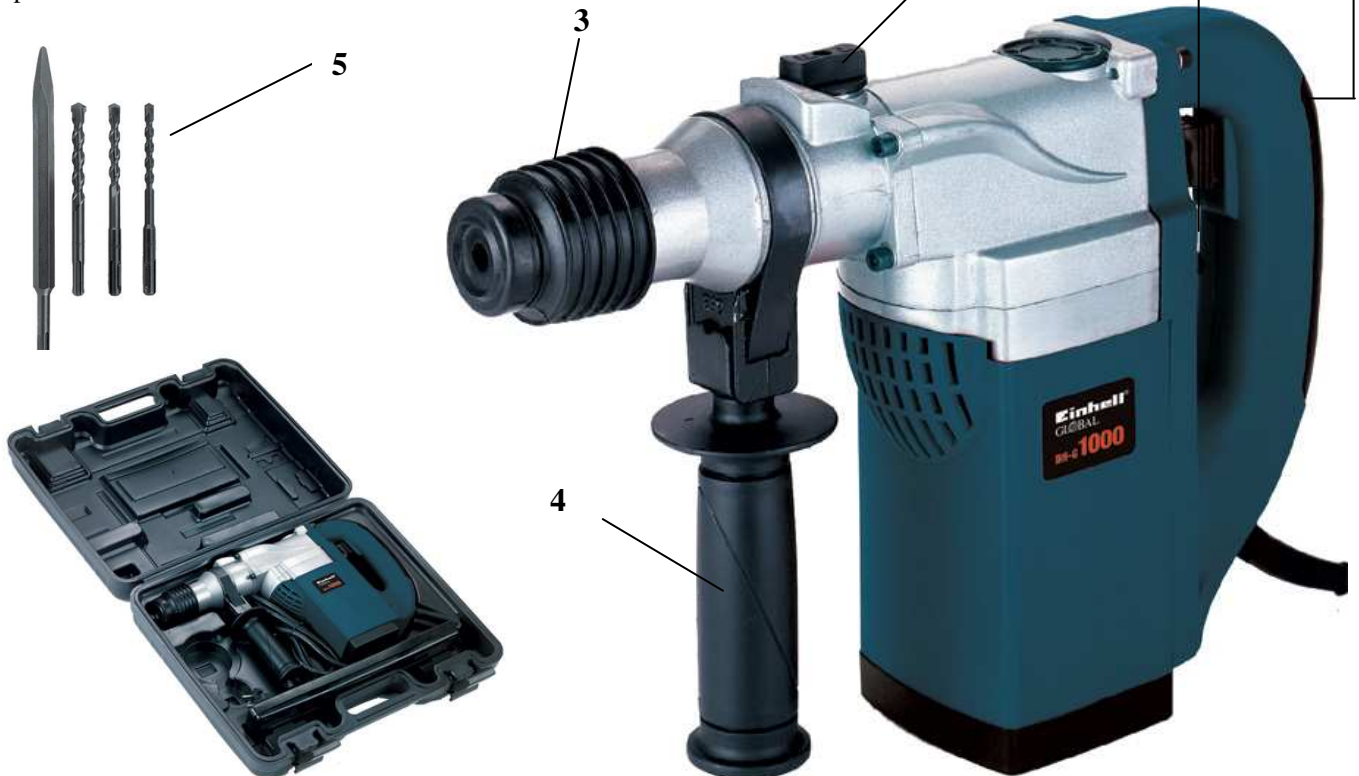
Technical data:

- Mains: 230 V ~ 50 Hz
- Power rating: 1010 watts
- Idle speed: 850 min⁻¹
- Blow rate: 4,500 min⁻¹
- Drilling capacity max.: 26 mm in concrete/stone
- Protection class: II

Soft-Grip

Standard accessory (5):

- Hammer drill bits diameter Ø 8, 10, 12 mm
- pointed chisel bit



As accessory available:

Chisel bit set

3 bits

Drill bit set

Ø 5, 6, 8, 10, 12 mm

10-piece drill and chisel bit set

Ø 5, 6, 8, 10, 12, 14, 16, 18, 22 mm, 1 flat chisel bit

Art. No.: **42.581.57**

bar code: 4006825421545

Art. No.: **42.581.90**

bar code: 4006825421538

Art. No.: **42.581.91**

bar code: 4006825422962