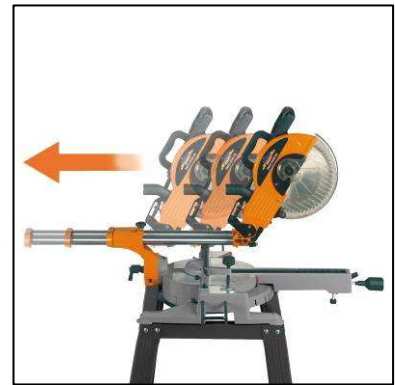







The ZKGS 4300 UG sliding cross-cut and mitre table saw for easy, precise and smooth cutting of wood parts.

The saw even allows double mitre cuts thanks to its tilting and swivelling motor head. **For increased cutting precision, the saw has been equipped with a laser function, i.e. a laser beam is projected onto the section plane of the workpiece. The serially supplied base frame allows working at optimum working heights.** Thanks to its sliding function, the saw can make cuts up to 430mm wide and is therefore ideal for cutting wide panels and laminate floorboard in one go.



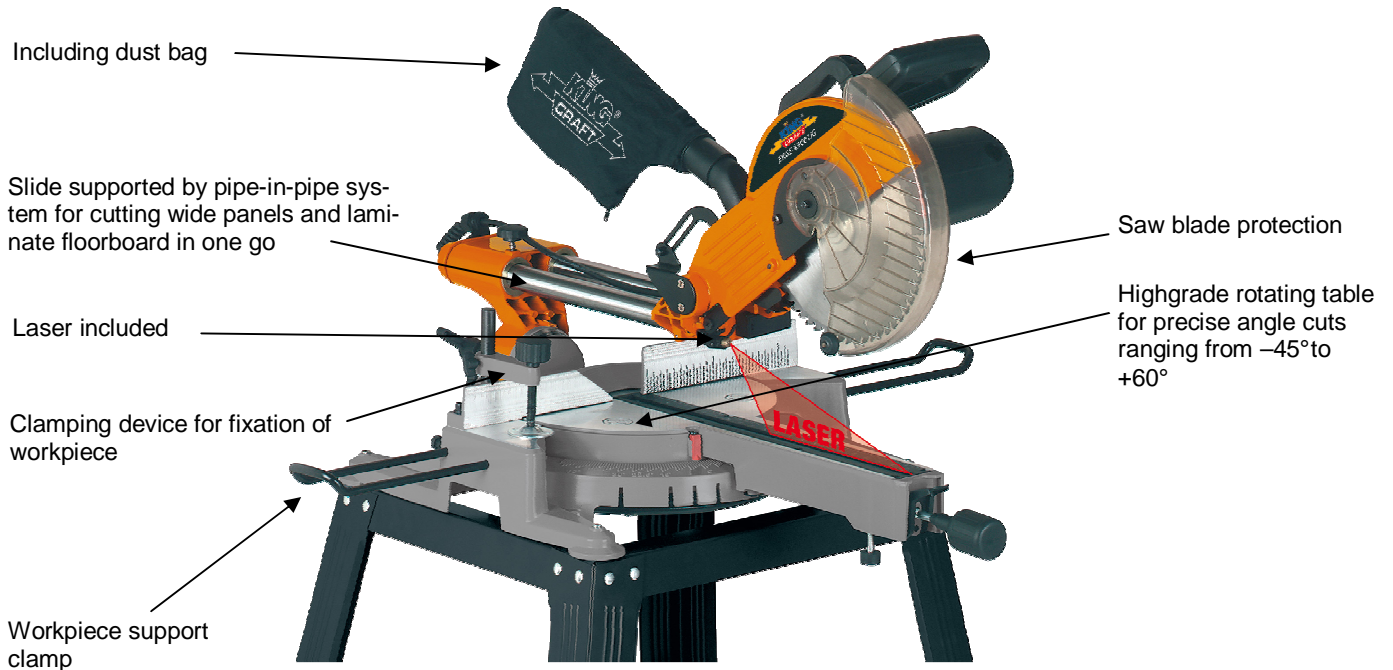
ZKGS 4300 UG Sliding, cross-cut and mitre saw with base frame

Available as special accessory:	Carbide-tipped saw blade: Ø 250 x Ø 30 mm 24 teeth	Art. No.: 43.111.10 Ident. No.: 01023 Bar Code: 4006825 431223	
	Carbide-tipped saw blade: Ø 250 x Ø 30 mm 48 teeth	Art. No.: 43.111.11 Ident. No.: 01023 Bar Code: 4006825 431230	
	Carbide-tipped saw blade: Ø 250 x Ø 30 mm 60 teeth	Art. No.: 43.111.13 Ident. No.: 01013 Bar Code: 4006825 503166	

Logistic Information:

Type:	ZKGS 4300 UG	Sales unit:	1 pc
Art. No.:	43.006.75	20°:	138 pcs
Ident. No.:	01017	40°:	285 pcs
Bar Code:	4006825 536355	40° HC:	-- pcs
Packing:	870 x 560 x 440 mm	Weight:	33.5 kgs (gross)





Stable base frame included



Features:

- Slide supported by pipe-in-pipe system
- Carbide-tipped saw blade with 60 teeth
- Highgrade rotating table for precise angle cuts ranging from -45° to $+60^{\circ}$
- Motor head continuously tiltable to the left from 0° to $+45^{\circ}$
- Clamping device for fixation of the workpiece
- Convenient saw blade storage on the backside
- Including dust bag and work piece support clamp
- Including laser

Technical Data:

- Main: 230 V ~ 50 Hz
- Power: 2,000 watts
- No load speed n_0 : $4,800 \text{ min}^{-1}$
- Carbide-tipped saw blade: $\varnothing 250 \times \varnothing 30 \times 3.0 \text{ mm}$
- No. of teeth: 60
- Turning range: -45° to $+60^{\circ}$
- Mitre cut: 0° to 45° to the left
- Cutting width $90^{\circ} \times 90^{\circ}$: 430 x 75 mm

Logistic Information:

Type:	ZKGS 4300 UG	Tool:	Sliding, cross-cut and mitre saw
Art. No.:	43.006.75	Sales unit:	1 pc
Ident. No.:	01017	20°:	138 pcs
Bar Code:	4006825 536355	40°:	285 pcs
Packing:	870 x 560 x 440 mm	40° HC:	-- pcs
		Weight:	33.5 kgs (gross)

