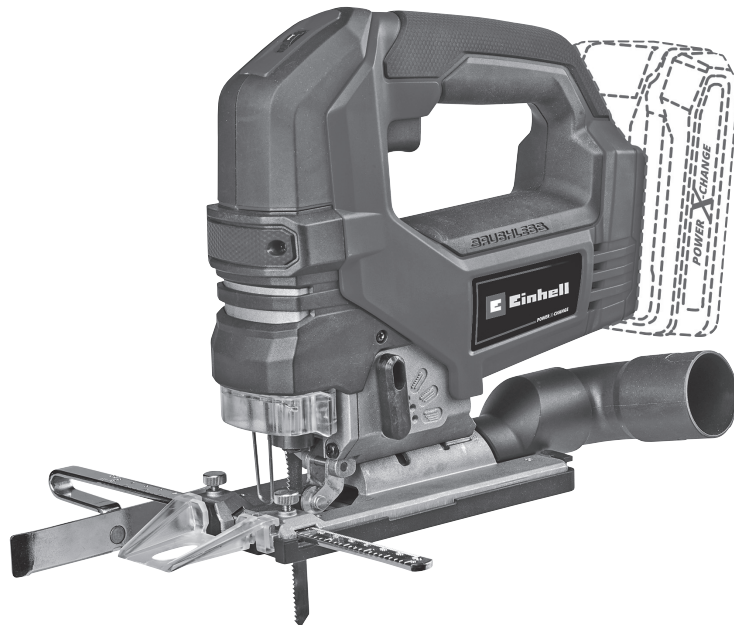




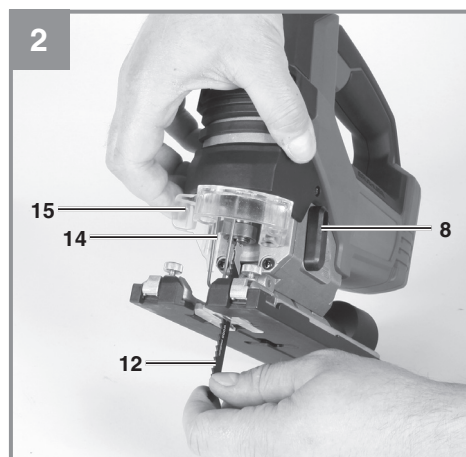
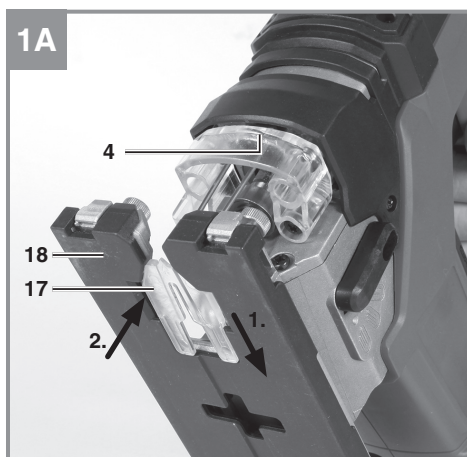
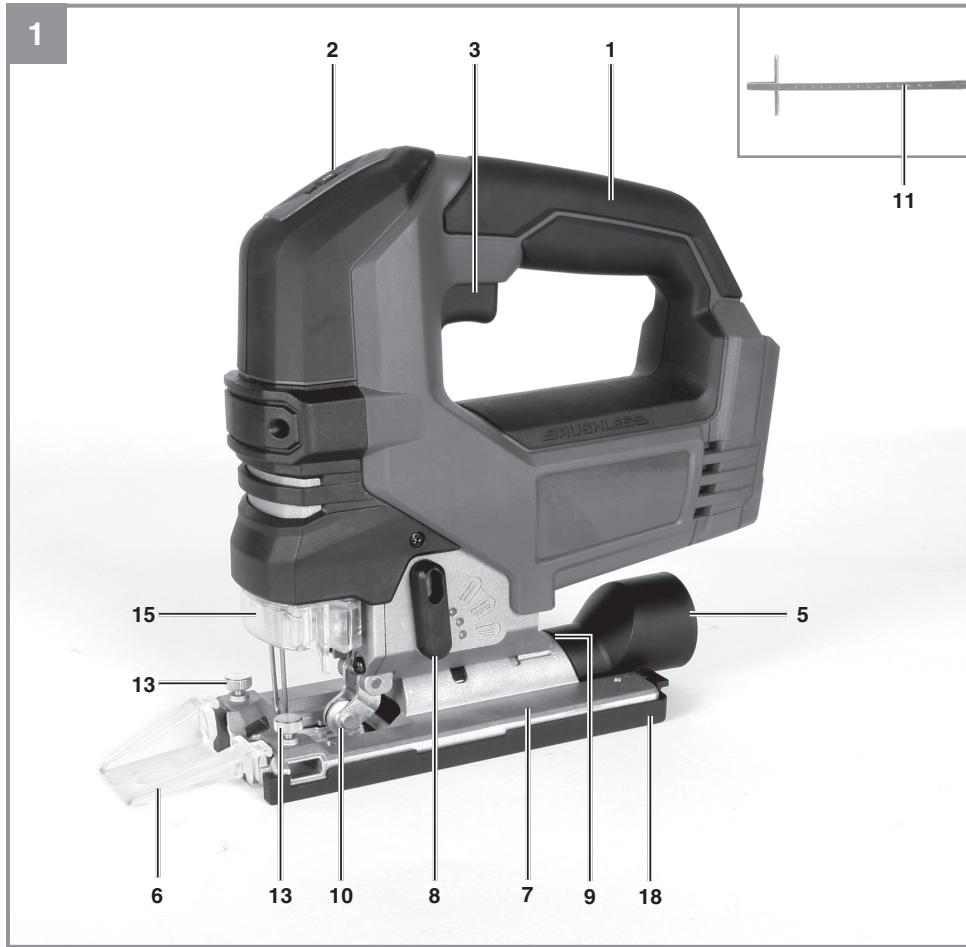
TP-JS 18/135 Li BL

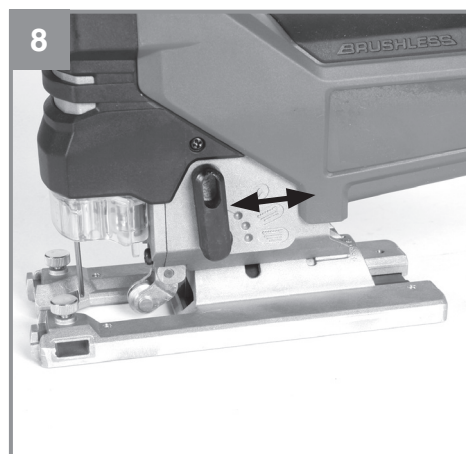
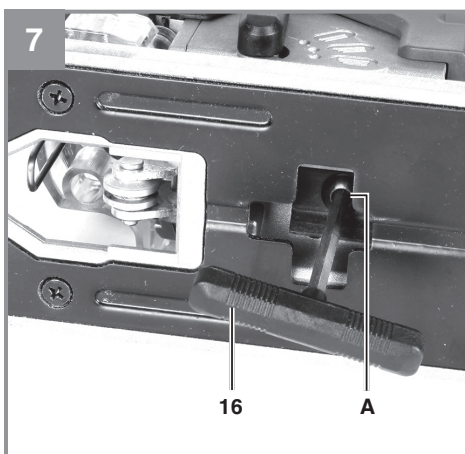
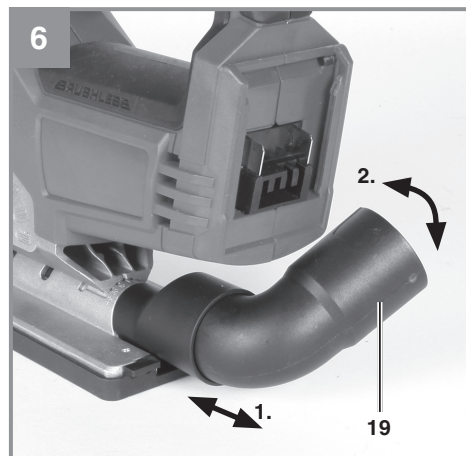
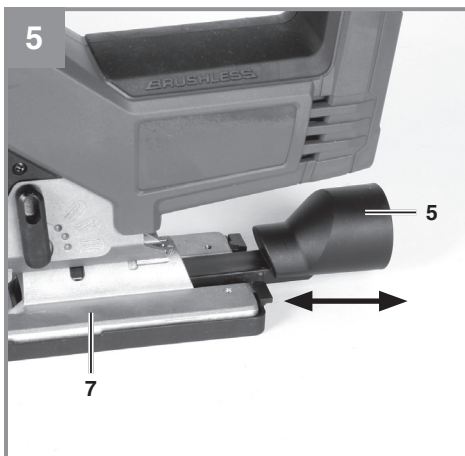
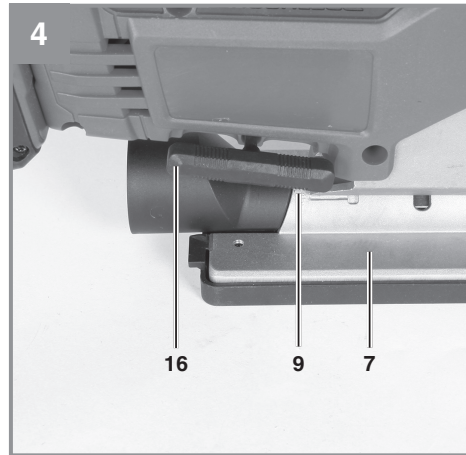
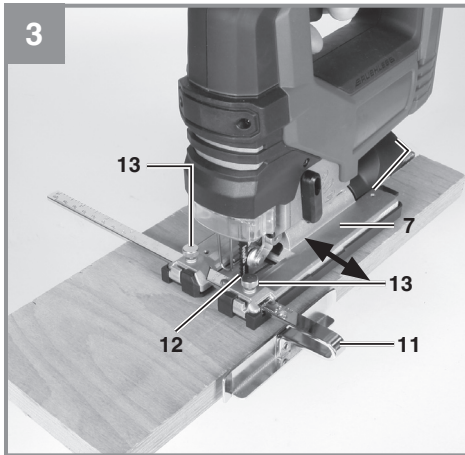
- EN Operating instructions
Cordless Jigsaw
- FR Mode d'emploi
Scie sauteuse sans fil
- SP Manual de instrucciones
Sierra de vaivén/caladora
inalámbrica

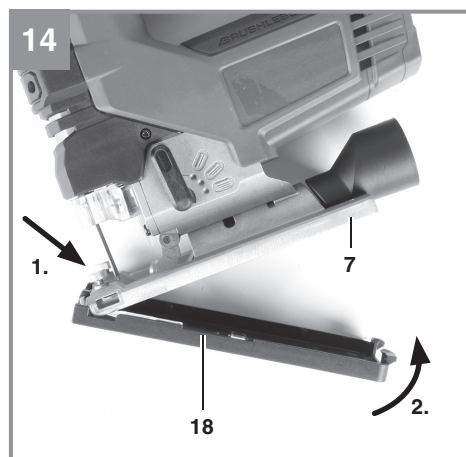
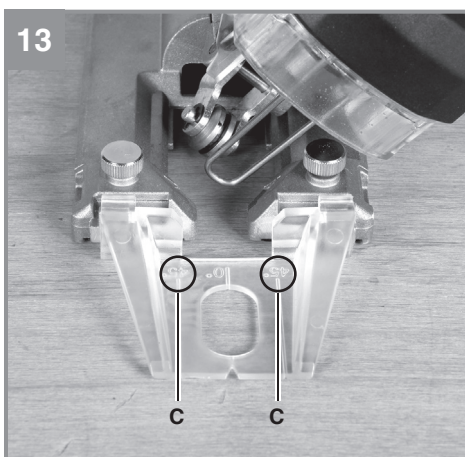
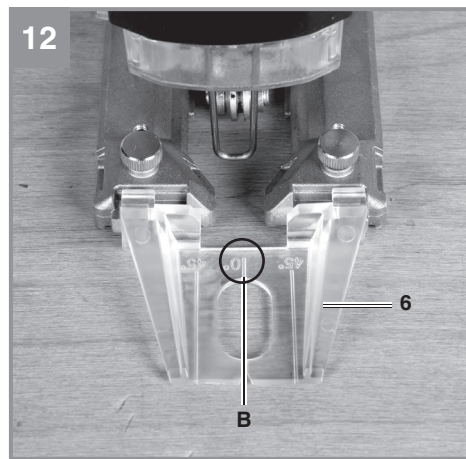
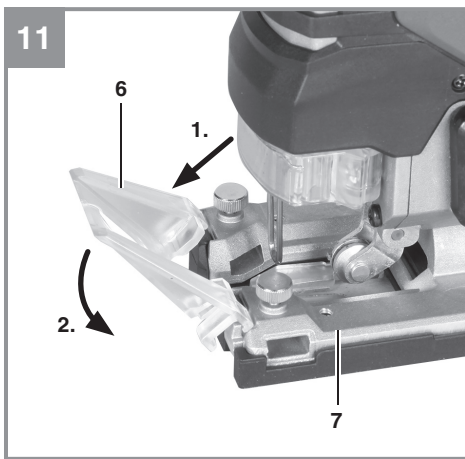
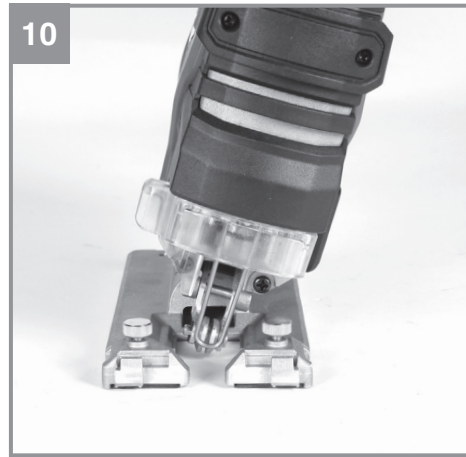
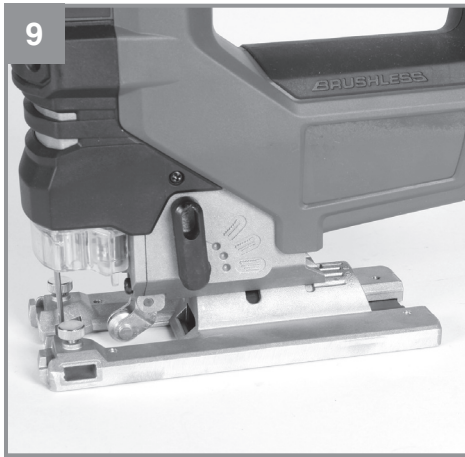


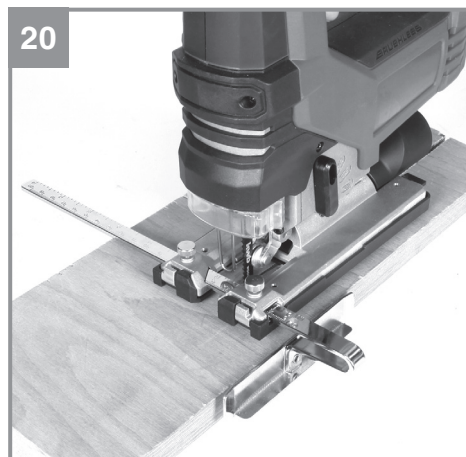
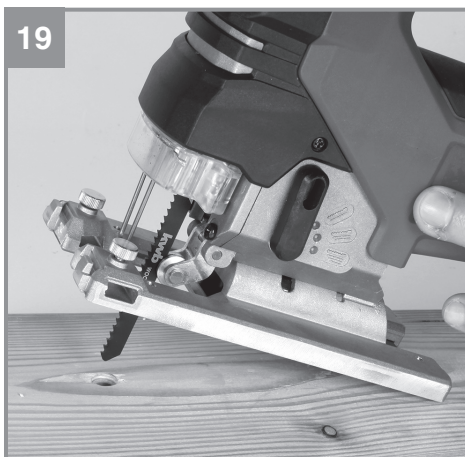
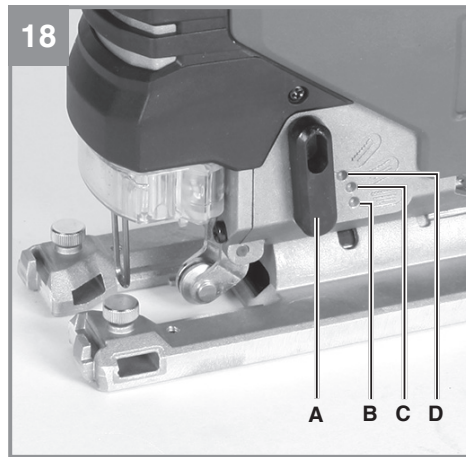
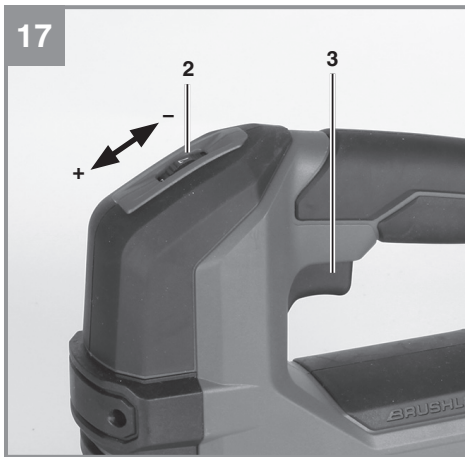
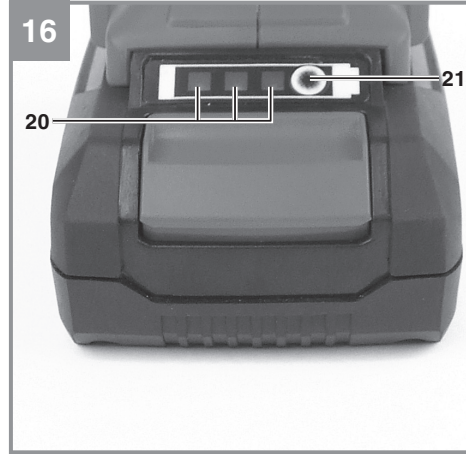
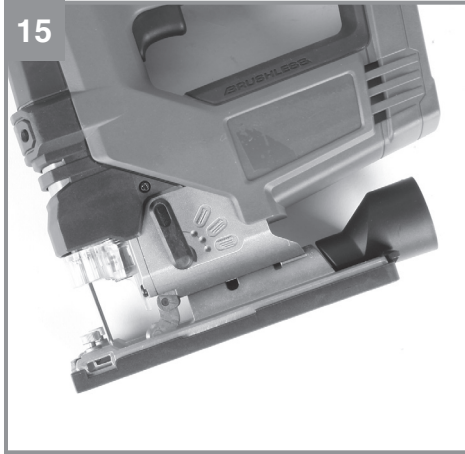
Art.-Nr.: 4321263

I.-Nr.: 21013











Danger! - Read the operating instructions to reduce the risk of injury.



Caution! Wear ear-muffs. The impact of noise can cause damage to hearing.



Caution! Wear a breathing mask. Dust which is injurious to health can be generated when working on wood and other materials. Never use the tool to work on any materials containing asbestos!



Caution! Wear safety goggles. Sparks generated during work or splinters, chips and dust emitted by the equipment can cause loss of sight.



Store the batteries only in dry rooms with an ambient temperature of 50°F to 104°F (+10°C to +40°C). Place only fully charged batteries in storage (charged at least 40%).

DANGER!

When using the equipment, a number of safety precautions must be observed to avoid injuries and damage. Please read the complete operating instructions and safety information with due care. Keep these operating instructions in a safe place so that the information is available at all times. If you give the equipment to any other person, hand over these operating instructions and the safety information as well. We cannot accept any liability for damage or accidents which arise due to failure to follow these instructions and the safety information.

1. Safety information**DANGER!**

Read all the safety information and instructions. Failure to adhere to the safety information and instructions set out below may result in electric shock, fire and/or serious injury. **Keep all the safety information and instructions in a safe place for future use.**

General safety information for power tools

The term "power tool" used in the safety regulations refers to power tools operated from the mains power supply (with a power cable) and to battery operated power tools (without a power cable).

1) Work area safety

- a) **Keep work area clean and well lit.**
Cluttered and dark areas invite accidents.
- b) **Do not operate power tools in explosive atmospheres, such as in the presence of flammable liquids, gases or dust.** *Power tools create sparks which may ignite the dust or fumes.*
- c) **Keep children and bystanders away while operating a power tool.** *Distractions can cause you to lose control.*

2) Electrical safety

- a) **Power tool plugs must match the outlet. Never modify the plug in any way. Do not use any adapter plugs with earthed (grounded) power tools.** *Unmodified plugs and matching outlets will reduce risk of electric shock.*
- b) **Avoid body contact with earthed or grounded surfaces such as pipes, radiators, ranges and refrigerators.** *There*

is an increased risk of electric shock if your body is earthed or grounded.

- c) **Do not expose power tools to rain or wet conditions.** *Water entering a power tool will increase the risk of electric shock.*
 - d) **Do not abuse the cord. Never use the cord for carrying, pulling or unplugging the power tool. Keep cord away from heat, oil, sharp edges or moving parts.** *Damaged or entangled cords increase the risk of electric shock.*
 - e) **When operating a power tool outdoors, use an extension cord suitable for outdoor use.** *Use of a cord suitable for outdoor use reduces the risk of electric shock.*
 - f) **If operating a power tool in a damp location is unavoidable, use a ground fault circuit interruptor (GFCI) protected supply.** *Use of an GFCI reduces the risk of electric shock.*
- 3) Personal safety**
- a) **Stay alert, watch what you are doing and use common sense when operating a power tool. Do not use a power tool while you are tired or under the influence of drugs, alcohol or medication.** *A moment of inattention while operating power tools may result in serious personal injury.*
 - b) **Use personal protective equipment. Always wear eye protection.** *Protective equipment such as dust mask, non-skid safety shoes, hard hat, or hearing protection used for appropriate conditions will reduce personal injuries.*
 - c) **Prevent unintentional starting. Ensure the switch is in the Off-position before connecting to power source and/or BATTERY pack, picking up or carrying the tool.** *Carrying power tools with your finger on the switch or energizing power tools that have the switch on invites accidents.*
 - d) **Remove any adjusting key or wrench before turning the power tool on.** *A wrench or a key left attached to a rotating part of the power tool may result in personal injury.*
 - e) **Do not overreach. Keep proper footing and balance at all times.** *This enables better control of the power tool in unexpected situations.*
 - f) **Dress properly. Do not wear loose clothing or jewellery. Keep your hair, clothing and gloves away from moving parts.** *Loose clothes, jewelry or long hair*

- can be caught in moving parts.
- g) **If devices are provided for the connection of dust extraction and collection facilities, ensure these are connected and properly used.** *Use of these devices can reduce dust related hazards.*
- h) **Do not let familiarity gained from frequent use of tools allow you to become complacent and ignore tool safety principles.** *A careless action can cause severe injury within a fraction of a second.*
- 4) Power tool use and care**
- a) **Do not force the power tool. Use the correct power tool for your application.** *The correct power tool will do the job better and safer at the rate for which it was designed.*
- b) **Do not use the power tool if the switch does not turn it on and off.** *Any power tool that cannot be controlled with the switch is dangerous and must be repaired.*
- c) **Disconnect the plug from the power source and/or remove the battery pack, if detachable, from the power tool before making any adjustments, changing accessories, or storing power tools.** *Such preventive safety measures reduce the risk of starting the power tool accidentally.*
- d) **Store idle power tools out of the reach of children and do not allow persons unfamiliar with the power tool or these instructions to operate the power tool.** *Power tools are dangerous in the hands of untrained users.*
- e) **Maintain power tools and accessories. Check for misalignment or binding of moving parts, breakage of parts and any other condition that may affect the power tool's operation. If damaged, have the power tool repaired before use.** *Many accidents are caused by poorly maintained power tools.*
- f) **Keep cutting tools sharp and clean.** *Properly maintained cutting tools with sharp cutting edges are less likely to bind and are easier to control.*
- g) **Use the power tool, accessories and tool bits etc., in accordance with these instructions and in the manner intended for the particular type of power tool, taking into account the working conditions and the work to be performed.** *Use of the power tool for operations different from intended could result in a hazardous situation.*
- h) **Keep handles and grasping surfaces dry, clean and free from oil and grease.** *Slippery handles and grasping surfaces do not allow for safe handling and control of the tool in unexpected situations.*
- 5) Battery tool use and care**
- a) **Recharge only with the charger specified by the manufacturer.** *A charger that is suitable for one type of battery pack may create a risk of fire when used with another battery pack.*
- b) **Use power tools only with specifically designated battery packs.** *Use of any other battery packs may create a risk of injury and fire.*
- c) **When battery pack is not in use, keep it away from other metal objects, like paper clips, coins, keys, nails, screws or other small metal objects that can make a connection from one terminal to another.** *Shorting the battery terminals together may cause burns or a fire.*
- d) **Under abusive conditions, liquid may be ejected from the battery; avoid contact. If contact accidentally occurs, flush with water. If liquid contacts eyes, additionally seek medical help.** *Liquid ejected from the battery may cause irritation or burns.*
- e) **Do not use a BATTERY pack or tool that is damaged or modified.** *Damaged or modified batteries may exhibit unpredictable behavior resulting in fire, EXPLOSION or risk of injury.*
- f) **Do not expose a BATTERY pack or tool to fire or excessive temperature.** *Exposure to fire or temperature above 266°F (130°C) may cause explosion.*
- g) **Follow all charging instructions and do not charge the BATTERY pack or tool outside the temperature range specified in the instructions.** *Charging improperly or at temperatures outside the specified range may damage the BATTERY and increase the risk of fire.*
- 6) Service**
- a) **Have your power tool serviced by a qualified repair person using only identical replacement parts.** *This will ensure that the safety of the power tool is maintained.*
- b) **Never service damaged BATTERY packs.** *Service of BATTERY packs should only be*

performed by the manufacturer or authorized service providers.

Additional safety instructions

We pay a great deal of attention to the design of every battery pack to ensure that we supply you with batteries which feature maximum power density, durability and safety. The battery cells have a wide range of safety devices. Each individual cell is initially formatted and its electrical characteristic curves are recorded. These data are then used exclusively to be able to assemble the best possible battery packs.

Despite all the safety precautions, caution must always be exercised when handling batteries. The following points must be obeyed at all times to ensure safe use. Safe use can only be guaranteed if undamaged cells are used. Incorrect handling can cause cell damage.

Caution! Analyses confirm that incorrect use and poor care are the main causes of the damage caused by high performance batteries.

Information about the battery

1. The battery pack supplied with your cordless tool is not charged. The battery pack has to be charged before you use the tool for the first time.
2. For optimum battery performance avoid low discharge cycles. Charge the battery pack frequently.
3. Store the battery pack in a cool place, ideally at 59°F (15°C) and charged to at least 40%.
4. Lithium-Ion batteries are subject to a natural ageing process. The battery pack must be replaced at the latest when its capacity falls to just 80% of its capacity when new. Weakened cells in an aged battery pack are no longer capable of meeting the high power requirements and therefore pose a safety risk.
5. Do not throw battery packs into an open fire. There is a risk of explosion!
6. Do not ignite the battery pack or expose it to fire.
7. **Do not exhaustively discharge batteries.** Exhaustive discharge will damage the battery cells. The most common cause of deep discharge is lengthy storage or non-use of partly discharged batteries. Stop working as soon as the performance of the battery falls noticeably or the electronic protection system triggers. Place the battery pack in storage only after it has been fully charged.

8. **Protect batteries and the tool from overloads.** Overloads will quickly result in overheating and cell damage inside the battery housing without this overheating actually being apparent externally.
9. **Avoid damage and shocks.** Replace batteries which have been dropped from a height of more than one meter or which have been exposed to violent shocks without delay, even if the housing of the battery pack appears to be undamaged. The battery cells inside the battery may have suffered serious damage. In this respect, please also read the waste disposal information.
10. If the battery pack suffers overloading and overheating, the integrated protective cut-off will switch off the equipment for safety reasons. Caution! Do not press the ON/OFF switch any more if the protective cut-off has actuated. This may damage the battery.
11. Use only original battery packs. The use of other batteries may result in injuries, explosion and a fire risk.
12. **Protect your rechargeable battery against moisture, rain and high humidity.** Moisture, rain and high humidity can cause dangerous cell damage. Never charge or work with batteries which have been exposed to moisture, rain or high humidity – replace them immediately.
13. If your equipment is fitted with a detachable battery, remove the battery for safety reasons after you have finished your work.

Information on chargers and the charging process

1. Please check the data marked on the rating plate of the battery charger. Be sure to connect the battery charger to a power supply with the voltage marked on the rating plate. Never connect it to a different mains voltage.
2. Protect the battery charger and its cable from damage and sharp edges. Have damaged cables repaired without delay by a qualified electrician.
3. Keep the battery charger, batteries and the cordless tool out of children's reach.
4. Do not use damaged battery chargers.
5. Do not use the supplied battery charger to charge other cordless tools.
6. In heavy use the battery pack will become warm. Allow the battery pack to cool to room temperature before commencing with the charging.
7. **Do not over-charge batteries.** Do not

exceed the maximum charging times. These charging times apply only to discharged batteries. Frequent insertion of a charged or partly charged battery pack will result in over-charging and cell damage. Do not leave batteries in the charger for more than 48 hours.

8. **Never use or charge batteries if you suspect that the last time they were charged was more than 12 months previously.** There is a high probability that the battery pack has already suffered dangerous damage (exhaustive discharge).
9. Charging batteries at a temperature below 50°F (10°C) will cause chemical damage to the cell and may cause a fire.
10. Do not use batteries which have heated during the charging process, as the battery cells may have suffered dangerous damage.
11. Do not use batteries which have suffered curvature or deformation during the charging process or which show other non-typical symptoms (gassing, hissing, cracking,...)
12. Never fully discharge the battery pack (recommended depth of discharge max. 80%) A complete discharge of the battery pack will lead to premature ageing of the battery cells.
13. Never charge the batteries unsupervised.

Protection from environmental influences

1. Wear suitable work clothes. Wear safety goggles.
2. **Protect your cordless tool and the battery charger from moisture and rain.** Moisture and rain can cause dangerous cell damage.
3. Do not use the cordless tool or the battery charger near vapors and inflammable liquids.
4. Use the battery charger and cordless tools only in dry conditions and an ambient temperature of 50°F to 104°F (10°C to 40°C).
5. Do not keep the battery charger in places where the temperature is liable to reach over 104°F (40°C). In particular, do not leave the battery charger in a car that is parked in the sunshine.
6. **Protect batteries from overheating.** Overloads, over-charging and exposure to direct sunlight will result in overheating and cell damage. Never charge or work with batteries which have been overheated – replace them immediately if possible.
7. **Storage of batteries, battery chargers and cordless tools.** Store the charger and your cordless tool only in dry places with an

ambient temperature of 50°F to 104°F (10°C to 40°C). Store the Lithium-Ion rechargeable battery in a cool and dry place at 50°F to 68°F (10°C to 20°C). Protect them from humidity and direct sunlight! Place only fully charged batteries in storage (charged at least 40%).

8. Prevent the Lithium-Ion battery pack from freezing. Battery packs which were stored below 32°F (0°C) for more than 60 minutes must be disposed of.
9. When handling batteries beware of electrostatic charge: Electrostatic discharges cause damage of the electronic protection system and the battery cells. Avoid electrostatic charging and never touch the battery poles.

Battery Caution + Disposal

Disposal

Should your appliance need replacement after extended use, do not dispose of it with the household refuse, but in an environmentally safe way.



Waste produced by electrical machine items should not be handled like normal household rubbish. Please recycle where recycle facilities exist. Check with your local authority or retailer for recycling advice.

Always dispose of your battery pack according to federal, state, provincial and local regulations. Contact a recycling agency in your area for recycling locations.

⚠ CAUTION! Even discharged battery packs contain some energy. Before disposing, use electrical tape to cover the terminals to prevent the battery pack from shorting, which could cause a fire or explosion.

⚠ WARNING! To reduce the risk of injury or explosion, never burn or incinerate a battery pack even if it is damaged, dead, or completely discharged. When burned, toxic fumes and materials are emitted into the surrounding atmosphere.

1. Batteries vary according to device. Consult your manual for specific information.
2. Install only new batteries of the same type in your product (where applicable).
3. Failure to insert batteries in the correct polarity, as indicated in the battery compartment or manual, may shorten the life of the batteries or cause batteries to leak.
4. Do not mix old and new batteries.
5. Do not mix Alkaline, Standard (Carbon-Zinc),

- or Rechargeable (Nickel Cadmium, Nickel Metal Hydride, or Lithium-Ion) batteries.
- 6. Do not dispose of batteries in fire.
- 7. Batteries should be recycled or disposed of as per state, provincial and local guidelines.

When shipping or disposing of batteries and cordless tools, always ensure that they are packed individually in plastic bags to prevent short circuits and fires.

Special safety information Cordless jigsaw

- **Hold the power tool by insulated gripping surfaces, when performing an operation where the cutting accessory may contact hidden wiring.** *Cutting accessory contacting a live wire may make exposed metal parts of the power tool "live" and could give the operator an electric shock.*
- **Use clamps or some other means to fasten and secure the workpiece to a sturdy surface.** If you hold the workpiece only with your hand or against your body it will remain unstable and might cause you to lose control.
- Keep the tools in a safe place and out of the reach of children.
- When sawing, always wear safety goggles, protective gloves and ear muffs; use a dust mask on dusty jobs.
- Always remove keys and wrenches after use. Before switching on, make sure that all keys and wrenches have been removed from the tool.
- Secure the workpiece to prevent it slipping (clamp).
- **Use on materials containing asbestos is prohibited.**
- Note the corresponding accident prevention regulation issued by the professional associations in your country.
- Use only original replacement parts.
- Repairs may only be carried out by a qualified electrician.
- The noise generated at the workplace may exceed 85 db (A). The operator will require noise protection measures and ear muffs if this is the case.
- Ensure that you maintain a steady foothold. Avoid abnormal working postures.
- Do not expose your electric tool to rain. Never use electric tools in damp or wet locations or near flammable liquids or gases.
- Keep your work area tidy.
- Wear suitable work clothes. Never wear loose

- fitting clothes and jewelry. Wear a hair net if you have long hair.
- For your own safety, use only accessories and auxiliary equipment from the manufacturer of your electric tool.
- Use only saw blades that are sharp and clean. Replace bent and cracked saw blades immediately.
- After you have switched off the saw, do not slow down the saw blade by applying pressure to its side.
- Make sure that the feed speed is uniform, as this will reduce the risk of accidents and increase the service life of both the saw blade and the saw.
- Use only a damp cloth to clean your saw. Do not use any aggressive agents for cleaning purposes.
- Check your saw to ensure that it is in good working order. If the saw fails to work properly, have it checked. Have all maintenance and inspection work carried out only by a qualified electrician.

SAVE THESE INSTRUCTIONS

2. Layout and items supplied

2.1 Layout

1. Handle
2. Speed selector
3. On/Off switch
4. LED lamp
5. Adapter for dust extraction system
6. Line guide
7. Adjustable soleplate
8. Selector switch for orbital action
9. Dial scale for soleplate
10. Guide roller
11. Edge guide
12. Saw blade (not supplied)
13. Lock knobs for parallel stop
14. Blade holder
15. Safety guard
16. Hex. key
17. Splinter guard
18. Removable cover
19. Angle adapter for sawdust extraction
20. Battery capacity indicator
21. Battery capacity indicator button

2.2 Items supplied

Please check that the article is complete as specified in the scope of delivery. If parts are missing, please contact our service center or the store where you made your purchase at the latest within 5 work days after purchasing the article and upon presentation of a valid bill of purchase.

- Open the packaging and take out the equipment with care.
- Remove the packaging material and any packaging and/or transportation braces (if present).
- Check to see if all the items are supplied.
- Inspect the equipment and accessories for transport damage.
- If possible, keep the packaging until the end of the guarantee period.

Danger!

The equipment and packaging material are not toys. Do not let children play with plastic bags, plastic sheets and small parts. There is a risk of choking and suffocating!

- Cordless jigsaw
- Edge guide
- Adapter for dust extraction system
- Line guide
- Splinter guard
- Hex. key
- Angle adapter for sawdust extraction
- Original operating instruction with safety information

Separately available accessories

18V 1.5Ah PXC Lithium-Ion battery
 18V 2.0Ah PXC Lithium-Ion battery
 18V 2.5Ah PXC Lithium-Ion battery
 18V 3.0Ah PXC Lithium-Ion battery
 18V 4.0Ah PXC Lithium-Ion battery
 18V 3.0Ah PXC Plus Lithium-Ion battery
 18V 4.0Ah PXC Plus Lithium-Ion battery
 18V 5.2Ah PXC Plus Lithium-Ion battery
 18V 4.0Ah/6.0Ah PXC Plus Lithium-Ion battery
 18V 5.0Ah/8.0Ah PXC Plus Lithium-Ion battery
 18V PXC Dual Port Fast Charger
 18V PXC Fast Charger


Contact your local retailer for more specific models of batteries and charger available in your area. You can also explore battery + charger options at Einhell.com.

3. Intended use

The jigsaw is designed for sawing wood, metals, non-ferrous metals and plastics using the appropriate saw blade.

The equipment is allowed to be used only for its prescribed purpose. Any other use is deemed to be a case of misuse. The user/operator and not the manufacturer will be liable for any damage or injuries of any kind resulting from such misuse.

4. Technical data

Motor power supply: 18V 
 Strokes per Minute: 0-3500 SPM
 Length of Stroke: 1- $\frac{1}{32}$ "
 Max. bevel capacity: +/-45°
 Cutting capacities:
 Wood: 5- $\frac{1}{4}$ "
 Iron: $\frac{13}{32}$ "
 Plastic: $\frac{13}{16}$ "
 Orbital motion: 4 Settings
 Weight: 4.85 lbs

Wear ear-muffs.

The impact of noise can cause damage to hearing.

Reduce noise generation and vibration to a minimum!

- Use only equipment that is in perfect condition.
- Maintain and clean the equipment regularly.
- Adapt your way of working to the equipment.
- Do not overload the equipment.
- Have the equipment checked if necessary.
- Switch off the equipment when not in use.

CAUTION!

Residual risks

Even if you use this electric power tool in accordance with the instructions, certain residual risks cannot be eliminated. The following hazards may arise in connection with the equipment's construction and layout:

1. Lung damage if no suitable protective dust mask is used.
2. Damage to hearing if no suitable ear protection is applied.
3. Health damage caused by hand-arm vibrations if the equipment is used over a

longer period or is not properly guided and maintained.

5. Before starting the equipment

Warning!

Always remove the battery pack before making adjustments to the equipment.

5.1 Safety guard (Fig. 1/Item 15)

- The safety guard (15) protects the user from accidentally touching the saw blade (12) but still gives you an unobstructed view of the cutting area.
- The safety guard (15) also serves to release the blade (12) (see section 5.2).

5.2 Changing the saw blade (Fig. 2/Item 12)

Warning!

Remove the battery pack before you fit or replace a saw blade.

- You can fit or replace saw blades without using any other tools.
- Set the selector switch for pendulum action (8) to position D (see Fig. 18).
- The teeth of the saw blade are very sharp!
- Pull the safety guard (15) forward as shown in Fig. 2. The blade holder (14) will be released as the result.
- Now push the blade (12) into the blade holder (14) as far as the stop and let the safety guard (15) slide back slowly to the rear.
- The teeth on the blade must be pointing forward.
- Make sure that the blade (12) is seated in the guide roller (10).
- Check that the blade (12) is firmly seated in the blade holder (14).
- To remove the blade (12), pull the safety guard (15) back to the front.
- CAUTION! While you do this, a spring mechanism will automatically press the blade (12) out of the blade holder (14). To prevent the blade from being catapulted out of the holder when this happens, hold the blade firmly at the same time!

5.3 Fitting the parallel stop (Fig. 4/Item 11)

- The parallel stop (11) enables you to saw parallel cuts.
- Undo the two lock knobs (13) on the soleplate (7).
- Now slide the parallel stop (11) into the guides on the soleplate (7). You can fit the parallel stop (11) on either the left or right of the equipment.
- The guide strip must always face downwards. Set the required distance using the measurement scale on the edge guide (11) and tighten the lock knobs (13) again.

5.4 Setting the soleplate for miter cuts (Fig. 7)

- Use the hex. key (16) to loosen the screws for the soleplate (A) on the bottom of the adjustable soleplate (7) (Fig. 7).
- Pull the soleplate (7) backwards slightly. The soleplate can now be swiveled a maximum 45° to the left and right.
- If the soleplate (7) is pushed back to the front again, this will work only at 0°. Move the soleplate into the required position and refasten the screw securing the soleplate (A).
- However, the soleplate (7) is also easily set to another angle. To do so, move the soleplate (7) to the rear, set the desired angle and refasten the screw securing the soleplate (A).

Important! The lock knobs for the parallel stop (13) and the splinter guard (17) must be removed during miter cuts.

5.5 Adapter for dust extraction system (Fig. 5/Item 5)

- Connect your cordless jigsaw to a vacuum cleaner using the adapter for dust extraction (5). This will ensure optimum chip extraction from the workpiece. The benefits are that you will protect both the equipment and your own health. Your work area will also be cleaner and safer.
- Dust created when working may be dangerous. Refer to the section entitled "Safety information".
- Fit the adapter for dust extraction (5) as shown in Fig. 5. The adapter for dust extraction (5) must audibly engage to ensure that it is secure in the soleplate (7).
- Using the angle adapter for sawdust extraction (19) you can also extract sawdust from the side of the machine.
- To do so, insert the angle adapter for sawdust extraction (19) into the adapter for dust

extraction (5) as shown in Fig. 6 and turn the angle adapter for sawdust extraction (19) into the position of your choice.

- Fit the vacuum tube of the vacuum cleaner onto the opening of the adapter for dust extraction (5). Check that the connections are air-tight.

5.6 Line guide (Fig. 11-13/Item 6)

Using the line guide (6) you can carry out exact cuts following cutting lines marked on the workpiece. Fit the line guide by mounting it on the top of the soleplate (7) and letting it lock in place at the bottom, as shown in Fig. 11. Use the mark (B) for the 0° angle setting (Fig. 12) and the mark (C) for the 45° angle setting (Fig. 13). See point 5.4 for information about the angle setting.

Important! Carry out trial cuts in a piece of waste wood.

To remove the line guide (6) simply press it downwards.

5.7 Splinter guard (Fig. 1A/Item 17)

The splinter guard ensures that the material you want to cut does not splinter or crack during sawing. Insert it into the soleplate from underneath as shown in Fig. 1A.

Fit the splinter guard into the removable cover from underneath (18) as shown in Fig. 14. Then latch it in the removable cover (18) in order to secure it (2).

Note! The splinter guard can be used only for 0° cuts and must be removed for miter cuts up to 45°!

5.8 Removable cover (Fig. 14/Item 18)

The adjustable soleplate is equipped with a removable cover (18). This prevents sensitive surfaces from becoming scratched.

To fit the removable cover (18), hook it onto the front as shown in Fig. 14 and swing it onto the soleplate at the rear until you hear it latch in place. To dismantle, proceed in reverse order.

6. Operation

6.1 On/Off switch (Fig. 17/Item 3)

Switching on:

Press the On/Off switch (3).

Switching off:

Release the On/Off switch (3).

6.2 Adjusting the speed (Fig. 17/Item 2)

You can pre-select the required speed with the speed selector (2). Turn the speed selector (2) in PLUS direction to increase the speed, turn the speed selector (2) in MINUS direction to reduce the speed. The appropriate stroke speed depends on the material you want to cut and on the working conditions.

The general rules for cutting speeds in metal also apply.

While you can generally use a higher speed with fine saw blades, lower speeds are required for coarse saw blades.

6.3 Setting the orbital action (Fig. 18/Item 8)

- The strength of the orbital action of the saw blade (12) can be adjusted using the selector switch for orbital action (8).
- You can adjust the cutting speed, cutting performance and appearance of the cut to the workpiece you want to saw.

Set the selector switch for pendulum action (8) to one of the following positions:

Position A = No orbital action.

Material: Rubber, ceramic, aluminum, steel.

Please note: For fine clean cuts, thin materials (e.g. sheet steel) and hard materials.

Position B = Small orbital action.

Material: Plastic, wood, aluminum.

Please note: For hard materials.

Position C = Medium orbital action.

Material: Wood.

Position D = Large orbital action.

Material: Wood.

Please note: For soft materials and sawing along the grain.

The best combination of speed and orbital action depends on the material you want to saw. We recommend you make a trial cut on a waste piece

in order to check the ideal settings.

6.4 Making cuts

Caution!

For exact, straight, and long cuts, we recommend using a saw blade with a thickness of at least $\frac{1}{16}$ ".

- Make sure that the On/Off switch (3) is not depressed. Only then should you connect the battery pack to the equipment.
- Do not switch on the jigsaw until you have fitted a saw blade.
- Use only saw blades that are in perfect condition. Replace blunt, bent or cracked saw blades immediately.
- Place the saw soleplate flat on the workpiece you want to saw. Switch on the jigsaw.
- Allow the saw blade to reach full speed. Then slowly move the saw blade along the cutting line. Exert only gentle pressure on the saw blade as you do so.
- When cutting metal, apply a suitable coolant along the line you want to cut.

6.5 Sawing out sections (Fig. 19)

Drill a 0.4" hole in the section you want to saw out. Insert the saw blade into this hole and start to saw out the required section.

6.6 Making parallel cuts (Figure 20)

- Mount the edge guide and adjust as required (see section 5.3).
- Observe the instructions in section 6.3.
- Cut as shown in Fig. 20.

6.7 Miter cuts (Fig. 13)

- Set the angle on the soleplate (see section 5.4).
- Observe the instructions in section 6.3.
- Cut as shown in Fig. 10.

6.8 LED light (fig. 1A / pos. 4)

The LED light (4) provides additional illumination of the cutting point. The LED light (4) turns on automatically as soon as you press the On/Off switch (3).

6.9 Charging the Lithium-Ion battery (not included)

The corresponding instructions can be found in the original operating instructions for your charger.

6.10 Battery capacity indicator (Fig. 16 / item 20)

Press the battery capacity indicator switch (21). The battery capacity indicator (20) shows the charge status of the battery using 3 LEDs.

All 3 LEDs lit:

The battery is fully charged.

2 or 1 LED(s) lit:

The battery has an adequate remaining charge.

1 LED flashing:

The battery is empty, recharge the battery.

All LEDs flashing:

The temperature of the battery is too low. Remove the battery from the device and leave it at room temperature for a day. If the error occurs again, this means that the battery has been completely depth-discharged and is defective. Remove the battery from the device. Never use or charge a defective battery.

7. Cleaning and maintenance

HAZARD!

Always take the battery out of the equipment before starting any cleaning work.

7.1 Cleaning

- Keep all safety devices, air vents and the motor housing free of dirt and dust as far as possible. Wipe the equipment with a clean cloth or blow it down with compressed air at low pressure.
- We recommend cleaning the equipment immediately each time after use.
- Clean the equipment regularly with a damp cloth and some soft soap. Do not use cleaning agents or solvents; these may be aggressive to the plastic parts in the equipment. Ensure that no water can get into the interior of the equipment. The ingress of water into an electric power tool increases the risk of an electric shock.

7.2 Maintenance

There are no other parts inside the equipment which require maintenance.

8. Disposal and recycling

The equipment is supplied in packaging to prevent it from being damaged in transit. The raw materials in this packaging can be reused or recycled. The equipment and its accessories are made of various types of material, such as metal and plastic. Never place defective equipment in your household refuse. The equipment should be taken to a suitable collection center for proper disposal. If you do not know the whereabouts of such a collection point, you should ask in your local council offices.

9. Storage

Store the equipment and its accessories out of children's reach in a dark and dry place at above freezing temperature. The ideal storage temperature is between 50°F and 104°F (10°C and 40°C). Keep the electric tool in its original packaging.

The reprinting or reproduction by any other means, in whole or in part, of documentation and papers accompanying the products is strictly subject to the express consent of Einhell Germany AG.

Subject to technical changes.



Danger! - Lire le mode d'emploi pour diminuer le risque de blessures.



Attention ! Portez une protection auditive. Le bruit peut provoquer une perte d'acuité auditive.



Attention ! Portez un masque anti-poussières. Des poussières nocives peuvent être générées lors des travaux avec le bois et autres matériaux. Ne travaillez pas avec un matériau contenant de l'amiante !



Attention ! Portez des lunettes de protection. Les étincelles créées pendant le travail ou les éclats, les copeaux et les poussières sortant de l'appareil peuvent entraîner la perte de la vue.



Conservez les batteries uniquement dans des locaux secs et à une température ambiante de 50-104 °F (+10-+40 °C). Conservez les batteries uniquement en état chargé (au moins 40 % de charge).

Danger !

Certaines mesures de sécurité doivent être respectées pendant l'utilisation des appareils pour empêcher les blessures et les dommages. Par conséquent, lisez attentivement le présent mode d'emploi / les consignes de sécurité. Conservez-les bien pour avoir les informations toujours à la portée de la main. Si vous devez passer l'appareil à d'autres personnes, veuillez leur remettre également le présent mode d'emploi / les consignes de sécurité. Nous ne sommes pas tenus des accidents ou dommages survenus à cause de non-respect du présent mode d'emploi et des consignes de sécurité.

1. Consignes de sécurité**Danger !**

Lisez toutes les consignes de sécurité et instructions. Le non-respect des consignes de sécurité et des instructions peut causer une électrocution, un incendie et / ou de graves blessures. **Conservez toutes les consignes de sécurité et instructions pour l'avenir.**

Consignes générales de sécurité pour les outils électriques

Le terme « outil électrique » utilisé dans les consignes de sécurité se réfère à des outils électriques alimentés par le secteur (avec câble d'alimentation) et à des outils électriques alimentés par la batterie (sans câble d'alimentation).

1. Sécurité du lieu de travail

- a) **Maintenez votre espace de travail propre et bien éclairé.** *Le désordre ou les espaces de travail non éclairés peuvent provoquer des accidents.*
- b) **Ne travaillez pas avec l'outil électrique dans une atmosphère explosible contenant des liquides, des gaz ou des poussières combustibles.** *Les appareils électriques génèrent des étincelles pouvant enflammer la poussière ou les vapeurs.*
- c) **Tenez à distance les enfants et autres personnes lors de l'utilisation de l'appareil électrique.** *En cas de distraction, vous pouvez perdre le contrôle de l'appareil.*

2. Sécurité électrique

- a) **La fiche de raccordement de l'appareil électrique doit être adaptée à la prise. La fiche ne doit être modifiée en aucune façon. N'utilisez pas de fiche d'adaptateur avec les outils électriques mis à la terre.** *Les fiches non modifiées et les prises adaptées diminuent le risque d'une électrocution.*
 - b) **Évitez le contact physique avec les surfaces mises à la terre, comme celles de conduits, des chauffages, des cuisinières et des réfrigérateurs.** *Il existe un risque élevé d'électrocution lorsque votre corps est mis à la terre.*
 - c) **Gardez les appareils électriques à l'abri de la pluie ou de l'humidité.** *La pénétration de l'eau dans un appareil électrique augmente le risque d'une électrocution.*
 - d) **Ne détournez pas le câble de sa fonction pour porter ou pour accrocher l'appareil électrique ou pour retirer la fiche de la prise. Gardez le câble à l'abri de la chaleur, de l'huile, des bords coupants ou des éléments mobiles de l'appareil.** *Les câbles endommagés ou enchevêtrés augmentent le risque d'une électrocution.*
 - e) **Si vous travaillez avec un appareil électrique dehors, utilisez uniquement une rallonge adaptée à l'usage à l'extérieur.** *L'utilisation d'une rallonge adaptée à l'usage à l'extérieur diminue le risque d'une électrocution.*
 - f) **Si l'appareil électrique doit être utilisé dans un environnement humide, utilisez un Disjoncteur de fuite à la terre.** *L'utilisation d'un disjoncteur de fuite à la terre diminue le risque d'une électrocution.*
- 3. Sécurité des personnes**
- a) **Soyez attentif, prenez garde à ce que vous faites et soyez raisonnable en travaillant avec un outil électrique. N'utilisez pas un appareil électrique si vous êtes fatigué ou si vous vous trouvez sous l'effet de drogues, d'alcool ou de médicaments.** *Un instant d'inattention lors de l'utilisation de l'appareil électrique peut entraîner de graves blessures.*
 - b) **Utilisez l'équipement de protection individuelle. Porter toujours une protection des yeux.** *L'équipement de protection, tel que le masque anti-poussière, les chaussures de sécurité antidérapantes, le casque protecteur ou la protection auditive utilisés dans des conditions appropriées, permet de réduire les*

- dommages corporels.*
- c) **Évitez tout démarrage non intentionnel. S'assurer que le bouton marche-arrêt est en position Arrêt (Off) avant de connecter la source de courant et/ou la BATTERIE, de prendre et de transporter l'outil.** *Transporter des outils électriques avec votre doigt sur le bouton marche-arrêt ou mettre sous tension des outils électriques dont le bouton marche-arrêt est position Marche (On) peut causer des accidents.*
- d) **Avant d'allumer l'outil électrique, retirez les outils de réglage ou les clés.** *Un outil ou une clé se trouvant dans un élément tournant de la machine peut entraîner des blessures.*
- e) **Évitez une posture anormale. Ayez un appui stable et gardez l'équilibre en permanence.** *Vous pouvez ainsi mieux contrôler l'outil électrique dans des situations imprévues.*
- f) **Portez des vêtements appropriés. Ne portez pas de vêtements amples ni de bijoux. Gardez les cheveux, les vêtements et les gants à distance des éléments mobiles.** *Des vêtements amples, bijoux ou longs cheveux peuvent être happés par les éléments mobiles.*
- g) **Si des dispositifs d'aspiration ou de récupération des poussières peuvent être montés, assurez-vous qu'ils sont connectés et peuvent être utilisés correctement.** *L'utilisation d'une aspiration des poussières peut diminuer les risques causés par la poussière.*
- h) **La familiarité acquise par l'utilisation fréquente des outils ne doit pas laisser place à la complaisance et à l'ignorance des principes de sécurité de l'outil.** *Une action imprudente peut causer de graves blessures en une fraction de seconde.*
- 4. Utilisation et traitement de l'outil électrique**
- a) **Ne surchargez pas l'appareil.** *Utilisez l'outil électrique adapté à votre application. Vous travaillez mieux et de manière plus sûre avec un outil électrique approprié dans la gamme de puissance indiquée.*
- b) **N'utilisez pas un outil électrique avec un interrupteur défectueux.** *Un outil électrique qui ne peut plus être allumé ou éteint est dangereux et doit être réparé.*
- c) **Débranchez la fiche de la source électrique et / ou retirez la batterie de l'outil électrique, si elle est amovible, avant de procéder à des ajustements, remplacer des accessoires ou ranger les outils électriques.** *De telles mesures préventives réduisent le risque de démarrage accidentel de l'outil électrique.*
- d) **Conservez les outils électriques non utilisés hors la portée des enfants. Ne permettez pas aux personnes qui ne sont pas familiarisées avec cet appareil ou qui n'ont pas lu ces instructions de l'utiliser.** *Les outils électriques sont dangereux lorsqu'ils sont utilisés par des personnes inexpérimentées.*
- e) **Entretenez les outils électriques et les accessoires. Vérifiez la dérive d'alignement ou l'attache des pièces mobiles, la rupture des pièces et s'assurer qu'aucun autre problème peut affecter le bon fonctionnement de l'outil électrique. Faire réparer l'outil endommagé avant l'utilisation.** *De nombreux accidents sont dus au mauvais entretien des outils électriques.*
- f) **Maintenez vos outils de coupe aiguisés et propres.** *Les outils de coupe aux bords tranchants bien soignés se coincent moins et sont plus aisés à guider.*
- g) **Utilisez l'outil électrique, les accessoires, les outils utilisés, etc. conformément au présent mode d'emploi. Tenez compte des conditions de travail et de l'activité à réaliser.** *L'utilisation des outils électriques pour des usages autres que prévus peut entraîner des situations dangereuses.*
- h) **Gardez les poignées et les surfaces de prise sèches, propres et exemptes d'huile et de graisse.** *Les poignées et surfaces de prise glissantes ne permettent pas d'effectuer une manipulation et un contrôle de l'outil en toute sécurité dans des situations imprévues.*
- 5. Utilisation et traitement de l'outil sans fil**
- a) **Chargez les batteries uniquement dans les chargeurs recommandés par le fabricant.** *L'utilisation d'un chargeur pour des batteries non appropriées présente un risque d'incendie.*
- b) **Utilisez dans les outils électriques uniquement les batteries prévues à cet effet.** *L'utilisation d'autres batteries peut entraîner des blessures et le risque d'incendie.*
- c) **Conservez la batterie non utilisée à distance des trombones, pièces de monnaie, clés, clous, vis ou autres menus objets en métal susceptibles de provoquer un**

pontage des contacts. *Un court-circuit entre les contacts de la batterie peut entraîner des brûlures ou le feu.*

- d) **En cas d'utilisation incorrecte, un liquide peut s'échapper de la batterie. Ne le touchez pas. Rincez à l'eau en cas de contact fortuit. Si le liquide entre en contact avec les yeux, consultez également le médecin.** *Le liquide s'échappant de la batterie peut causer des irritations cutanées ou des brûlures.*
- e) **Ne pas utiliser une BATTERIE ou un outil endommagé(e) ou modifié(e).** *Les batteries endommagées ou modifiées peuvent agir de manière imprévisible et donner lieu à un incendie, une EXPLOSION ou un risque de blessure.*
- f) **Ne pas exposer une BATTERIE ou un outil au feu ou à une température excessive.** *Une exposition au feu ou à une température supérieure à 266°F (130°C) peut causer une explosion.*
- g) **Suivre toutes les instructions de charge et ne pas charger la BATTERIE ou l'outil en dehors de la gamme de température spécifiée dans les instructions.** *Un mauvais chargement ou un chargement à des températures en dehors de la gamme spécifiée peut endommager la BATTERIE et augmenter les risques d'incendie.*
- 6. Service**
- a) **Faites réparer votre outil électrique uniquement par des spécialistes qualifiés et uniquement avec des pièces de rechange d'origine.** *Cela garantit le maintien de la sécurité de l'outil électrique.*
- b) **Ne jamais entretenir des BATTERIES endommagées.** *L'entretien des BATTERIES doit être effectué uniquement par le fabricant ou par des prestataires de service autorisés.*

Consignes spécifiques de sécurité

Nous construisons chaque batterie avec le plus grand soin possible pour pouvoir vous transmettre les batteries avec la densité énergétique, la durabilité et la sécurité maximales. Les cellules de batterie sont munies de dispositifs de sécurité de plusieurs niveaux. Chaque cellule individuelle est d'abord formatée, et leurs courbes caractéristiques sont enregistrées. Ensuite, ces données sont utilisées pour pouvoir regrouper les meilleures batteries possible.

Malgré toutes les mesures de sécurité, il faut toujours être prudent en maniant les

batteries. Les points suivants doivent être impérativement respectés pour assurer le fonctionnement sûr.

Le fonctionnement sûr n'est possible qu'avec des cellules intactes ! Une manipulation incorrecte endommage les cellules.

Attention ! Des analyses confirment que l'utilisation gravement inappropriée et des soins incorrects constituent la cause principale des dommages dus aux batteries haute performance.

Consignes concernant les batteries

1. La batterie de l'appareil sans fil n'est pas chargée à la livraison. Par conséquent, la batterie doit être chargée avant la première mise en service.
2. Évitez des cycles de décharge à plat pour garantir la performance maximale de la batterie ! Chargez souvent votre batterie.
3. Conservez votre batterie au frais, au mieux à 59 °F (+15 °C), et chargée d'au moins à 40%.
4. Les batteries Lithium-Ion sont sujettes au vieillissement naturel. La batterie doit être remplacée au plus tard lorsque la capacité de la batterie ne correspond plus qu'à 80 % de l'état neuf. Les cellules affaiblies dans une batterie vieillie ne tiennent plus la tête aux exigences élevées en terme de performance et présentent ainsi un risque de sécurité.
5. Ne jetez pas les batteries usées dans le feu ouvert. Risque d'explosion !
6. Ne pas allumer la batterie et ne pas l'exposer à la combustion.
7. **Ne pas décharger complètement la batterie !** La décharge complète endommage les cellules de la batterie. La cause la plus fréquente de la décharge complète de la batterie constitue un stockage ou non-utilisation prolongés des batteries à moitié chargées. Terminez l'opération dès que la puissance diminue visiblement ou la protection électronique réagit. Ne conservez la batterie que complètement chargée.
8. **Protéger les batteries et l'appareil contre la surcharge !** Une surcharge provoque rapidement la surchauffe et l'endommagement des cellules à l'intérieur du boîtier de batterie, sans que cela puisse se voir de l'extérieur.
9. **Évitez les détériorations et les chocs !** Remplacez sur-le-champ les batteries ayant chuté d'une hauteur de plus d'un mètre ou ayant été exposées à des coups violents, même si le boîtier de la batterie semble intact.

Les cellules de la batterie peuvent être sérieusement endommagées à l'intérieur. Respectez à cet égard également les consignes d'élimination.

10. En cas de surcharge et de surchauffe, le circuit de protection intégré éteint l'appareil pour des raisons de sécurité.
Attention ! N'actionnez plus l'interrupteur marche / arrêt lorsque le circuit de protection a éteint l'appareil. Cela peut endommager la batterie.
11. N'utilisez que des batteries d'origine. L'utilisation d'autres batteries peut entraîner des blessures, une explosion et le risque d'incendie.
12. **Protégez votre batterie de l'humidité, de la pluie et de l'humidité de l'air élevée.** L'humidité, la pluie et l'humidité de l'air élevée peuvent endommager dangereusement les cellules. En aucun cas, ne chargez ni ne travaillez avec la batterie qui a été exposée à l'humidité, à la pluie ou à l'humidité de l'air élevée – remplacez-les immédiatement !
13. Si votre appareil est équipé d'une batterie amovible, retirez-la de votre appareil à la fin de votre travail pour des raisons de sécurité.

Consignes concernant le chargeur et la charge

1. Tenez compte des informations indiquées sur la plaque signalétique du chargeur. Raccordez le chargeur uniquement à la tension d'alimentation indiquée sur la plaque signalétique.
2. Protégez le chargeur et le fil contre l'endommagement et les bords coupants. Les câbles endommagés doivent être immédiatement remplacés par un électricien.
3. Protéger le chargeur, les batteries et l'appareil sans fil contre les enfants.
4. Ne pas utiliser des chargeurs endommagés.
5. N'utilisez pas le chargeur fourni pour charger d'autres appareils sans fil.
6. En cas de forte sollicitation, la batterie se réchauffe. Laissez refroidir la batterie à la température ambiante avant le chargement.
7. **Ne pas surcharger les batteries !** Respectez les durées maximales du chargement. Ces durées de chargement s'appliquent uniquement aux batteries déchargées. Le branchement répété d'une batterie chargée ou partiellement chargée entraîne la surcharge et l'endommagement des cellules. Ne pas laisser les batteries insérées dans le chargeur pendant plus que 48 heures.

8. **N'utilisez ni chargez pas les batteries que vous supposez avoir été chargées pour la dernière fois depuis plus de 12 mois.** Il est hautement probable que la batterie est déjà dangereusement endommagée (déchargement complet).
9. Un chargement à une température inférieure à 50 °F (10 °C) entraîne une détérioration chimique de la cellule et peut provoquer un incendie.
10. N'utilisez pas de batteries qui se sont réchauffées pendant le chargement, car les cellules de la batterie pourraient être dangereusement endommagées.
11. N'utilisez plus les batteries qui se sont bombées ou déformées pendant le chargement ou qui présentent des symptômes inhabituels (dégazage, sifflement, grésillement, ...).
12. Ne déchargez pas complètement la batterie (déchargement maximal recommandé max. 80 %). Le déchargement complet entraîne un vieillissement précoce des cellules de la batterie.
13. Ne chargez jamais les batteries sans surveillance !

Protection contre l'impact environnemental

1. Portez des vêtements de travail appropriés. Porter des lunettes de protection.
2. **Protégez votre appareil sans fil et le chargeur contre l'humidité et la pluie.** L'humidité et la pluie peuvent entraîner des endommagements dangereux des cellules.
3. Ne pas utiliser l'appareil sans fil et le chargeur dans un espace contenant des vapeurs et des liquides combustibles.
4. Utilisez le chargeur et les appareils sans fil uniquement en état sec et à une température ambiante de 50-104 °F (10-40 °C).
5. Ne conservez pas la batterie dans des endroits où la température peut être supérieure à 104 °F (40 °C), en particulier dans un véhicule garé au soleil.
6. **Protégez les batteries contre la surchauffe !** Une surcharge, un chargement excessif ou le rayonnement solaire entraînent la surchauffe et détériorent les cellules. Ne chargez ni travaillez en aucun cas avec les batteries qui ont été surchauffées, remplacez-les sans tarder.
7. **Conservation des batteries, des chargeurs et de l'appareil sans fil.** Conservez le chargeur et votre appareil sans fil uniquement dans des locaux secs à une température ambiante de 50-104 °F (10-40 °C).

- Conservez la batterie Lithium-Ion au frais et au sec à 50-68 °F (10-20 °C). Protégez contre l'humidité de l'air et le rayonnement solaire direct ! Conservez les batteries uniquement en état chargé (au moins 40 % de charge).
- Empêchez que la batterie Lithium-Ion gèle. Les batteries qui ont été conservées plus de 60 minutes au-dessous de 32 °F (0 °C) doivent être éliminées.
 - Attention lors de la manipulation des batteries en rapport avec la charge électrostatique : les décharges électrostatiques endommagent la protection électronique et les cellules de la batterie ! Par conséquent, évitez les décharges électrostatiques et ne touchez jamais les pôles de la batterie !

Mise en garde concernant les batteries et informations sur leur élimination

Élimination

Si votre outil doit être remplacé après une période d'utilisation prolongée, ne le jetez pas avec les ordures ménagères, mais éliminez-le d'une manière respectueuse pour l'environnement.



Les déchets produits par les éléments d'un outil ou d'une machine électrique ne doivent pas être traités comme des déchets ménagers. Veuillez les recycler dans les installations prévues à cet effet.

Pour obtenir des conseils sur le recyclage, communiquez avec les services publics locaux ou avec votre revendeur.

Éliminez toujours les batteries en vous conformant aux réglementations fédérales, provinciales ou territoriales et locales.

Communiquez avec un organisme de recyclage de votre région pour obtenir la liste des sites de recyclage.

⚠ MISE EN GARDE! Même déchargée, une batterie emmagasine une certaine énergie. Avant de l'éliminer, utilisez du ruban isolant pour couvrir les bornes et empêcher ainsi la batterie de provoquer un court-circuit, ce qui pourrait causer un incendie ou une explosion.

⚠ AVERTISSEMENT! Pour réduire le risque de blessure ou d'explosion, ne jamais brûler ou incinérer une batterie, même si elle est endommagée, à plat ou complètement déchargée. En brûlant, des vapeurs et des matières toxiques sont émises dans l'atmosphère environnante.

- Les batteries varient selon le type d'outils ou de machines. Consulter le manuel pour des

- renseignements spécifiques.
- Le cas échéant, insérez uniquement des batteries neuves de même type dans l'outil ou la machine.
 - Si, en l'insérant, la polarité de la batterie n'est pas respectée, comme indiqué dans le compartiment à batterie ou dans le manuel, sa durée de vie pourrait être réduite ou elle pourrait fuir.
 - Ne pas mélanger des batteries anciennes et des neuves.
 - Ne pas mélanger des batteries alcalines, standard (carbone/zinc) ou rechargeables (au nickel-cadmium, au nickel-métal-hydrure ou au lithium-ion).
 - Ne jeter aucune batterie au feu. Les cellules de batterie peuvent exploser.
 - Les batteries doivent être recyclées ou éliminées en observant les directives provinciales ou territoriales et locales.

Pour expédier ou éliminer les batteries ou l'appareil sans fil, veillez à ce qu'ils soient emballés individuellement dans un sachet en plastique pour empêcher les courts-circuits ou les incendies !

Consignes de sécurité spécifiques

Scie sauteuse sans fil

- Tenez l'outil électrique par des surfaces de prise isolées lors de l'exécution d'une opération où l'accessoire de coupe peut être en contact avec des câbles dissimulés.** L'accessoire de coupe en contact avec un câble sous tension peut mettre sous tension des pièces métalliques exposées de l'outil électrique et pourrait causer un choc électrique à l'opérateur.
- Fixez et sécurisez la pièce à usiner en la serrant ou d'une autre manière sur un support stable.** Si vous tenez la pièce avec une seule main ou contre votre corps, elle reste instable, ce qui peut entraîner la perte de contrôle.
- Gardez les outils dans un lieu sûr et hors de la portée des enfants.
- Portez toujours des lunettes de protection, des gants de sécurité et une protection acoustique en sciant et un masque respiratoire lors des travaux générant de la poussière.
- N'oubliez jamais les clés. Avant d'allumer, vérifiez que les clés et les outils de réglage sont retirés.
- Protégez la pièce à usiner contre le glisse-

- ment (serrage).
- **Ne couper pas les matériaux contenant de l'amiante.**
- Respectez les réglementations en matière de prévention des accidents de l'association professionnelle correspondante.
- Utilisez uniquement des pièces d'origine.
- Ne confiez les travaux de réparation qu'à un électricien qualifié.
- Le bruit émis sur le poste de travail peut dépasser 85 dB (A). Dans ce cas, les opérateurs doivent être équipés de dispositifs de protection acoustique.
- Veillez à une position sûre. Évitez des postures anormales.
- N'exposez pas votre outil électrique à la pluie. N'utilisez pas les outils électriques dans un environnement mouillé ou humide ni à la proximité des liquides inflammables.
- Maintenez votre lieu de travail en ordre.
- Portez des vêtements de travail adaptés. Ne portez pas de vêtements amples ni de bijoux. Portez un filet à cheveux si vous avez des cheveux longs.
- Pour votre propre sécurité, utilisez uniquement les accessoires et les équipements auxiliaires du fabricant de l'outil.
- Utilisez uniquement des lames de scie aiguisées et sans défaut. Remplacez aussitôt les lames tordues et fissurées.
- Ne pas ralentir la lame de scie par une pression latérale après l'avoir éteinte.
- Veillez à l'avancée régulière pour prévenir le risque d'accident et prolonger la durée de vie de la lame de scie et de la scie.
- Nettoyez votre outil uniquement à l'aide d'un chiffon humide. N'employez pas de détergents agressifs pour nettoyer l'outil.
- Assurez-vous que votre outil fonctionne parfaitement. Dans le cas contraire, faites examiner votre outil. Ne confiez les travaux de maintenance et d'inspection qu'à un électricien qualifié.

CONSERVER CES INSTRUCTIONS

2. Description de l'appareil et contenu de l'emballage

2.1 Description de l'appareil

1. Poignée
2. Sélecteur de vitesse
3. Interrupteur marche/arrêt
4. Lumière DEL
5. Adaptateur pour l'aspiration des copeaux
6. Guidage de ligne de coupe
7. Semelle de scie réglable
8. Commutateur de mouvement orbitale
9. Échelle graduée pour la semelle de scie
10. Rouleau de guidage
11. Butée parallèle
12. Lame de scie
13. Boutons de verrouillage pour la butée parallèle
14. Logement de la lame de scie
15. Garde de protection
16. Clé hexagonale
17. Protection contre les éclats
18. Couverture amovible
19. Adaptateur d'angle pour l'aspiration des copeaux
20. Témoin de charge de la batterie
21. Bouton de témoin de charge de la batterie

2.2 Contenu d'emballage

Veillez contrôler l'intégralité de l'article au moyen du contenu d'emballage décrit. En cas de pièces manquantes, veuillez contacter notre centre de service à la clientèle ou le point de vente où vous avez acheté l'appareil au plus tard dans les 5 jours ouvrables à compter de l'achat de l'article en présentant un ticket de caisse valable.

- Ouvrez l'emballage et retirez prudemment l'appareil.
- Enlevez le matériau d'emballage ainsi que les sécurités d'emballage et de transport (le cas échéant).
- Vérifiez l'intégralité du contenu d'emballage.
- Vérifiez si l'appareil et les accessoires présentent des dommages dus au transport.
- Si possible, conservez l'emballage jusqu'à l'expiration de la durée de garantie.

Danger !

L'appareil et le matériau d'emballage ne sont pas un jouet ! Les enfants ne doivent pas jouer avec des sachets en plastique, des films ou de petites pièces ! Il existe le risque d'ingestion et de suffocation !

- Scie sauteuse sans fil
- Butée parallèle
- Adaptateur pour l'aspiration des copeaux
- Guidage de ligne de coupe
- Protection contre les éclats
- Clé hexagonale
- Adaptateur d'angle pour l'aspiration des copeaux
- Mode d'emploi d'origine avec consignes de sécurité

Accessoires disponibles séparément

18V 1,5Ah PXC batterie Lithium-Ion
 18V 2,0Ah PXC batterie Lithium-Ion
 18V 2,5Ah PXC batterie Lithium-Ion
 18V 3,0Ah PXC batterie Lithium-Ion
 18V 4,0Ah PXC batterie Lithium-Ion
 18V 3,0Ah PXC Plus batterie Lithium-Ion
 18V 4,0Ah PXC Plus batterie Lithium-Ion
 18V 5,2Ah PXC Plus batterie Lithium-Ion
 18V 4,0Ah/6,0Ah PXC Plus batterie Lithium-Ion
 18V 5,0Ah/8,0Ah PXC Plus batterie Lithium-Ion
 18V PXC chargeur rapide à double raccord
 18V PXC chargeur rapide


Contactez votre détaillant pour les modèles plus spécifiques de batteries et de chargeurs disponibles dans votre région. Vous pouvez également explorer les options de batterie + chargeur sur Einhell.com.

3. Utilisation conforme

La scie sauteuse est destinée au sciage du bois, des métaux et des plastiques au moyen de la lame de scie correspondante.

La machine ne doit être utilisée que conformément à sa destination. Toute autre utilisation dépassant ce cadre n'est pas conforme. C'est l'utilisateur / l'opérateur qui est responsable de tous les dommages ou blessures de toute nature en résultant et non pas le fabricant.

4. Caractéristiques techniques

Alimentation électrique du moteur: 18V 
 Course: 26 mm (1-1/2")
 Coups par minute: 0-3500 CPM (min⁻¹)
 Capacité de biseautage max: +/-45°
 Capacité de coupe max.:
 Bois: 135 mm (5-1/4")
 Fer: 10 mm (3/8")
 Plastiques: 20 mm (3/4")
 Mouvement orbital: 4 réglages
 Poids: 2,2 kg (4,85 lb)

Portez une protection auditive.

Le bruit peut provoquer une perte d'acuité auditive.

Limitez à un minimum l'émission de bruit et les vibrations !

- Utilisez uniquement des appareils irréprochables.
- Entretenez et nettoyez l'appareil régulièrement.
- Adaptez votre méthode de travail à l'appareil.
- Ne surchargez pas l'appareil.
- Faites examiner l'appareil le cas échéant.
- Éteignez l'appareil lorsqu'il n'est plus utilisé.

Attention !

Risques résiduels

Il existe toujours des risques même si vous vous servez correctement de cet outil électrique. Les risques suivants peuvent se produire en rapport avec la structure et la réalisation de cet outil électrique :

1. Lésions pulmonaires, si vous ne portez pas de masque anti-poussières approprié.
2. Lésions auditives, si vous ne portez pas de protection auditive appropriée.
3. Dommages pour la santé résultant des vibrations mains-bras, si votre appareil est utilisé d'une manière prolongée ou tenu et entretenu de manière incorrecte.

5. Avant la mise en service

Avertissement !

Retirez toujours la batterie avant de régler l'appareil.

5.1 Garde de protection (fig. 2 / pos. 15)

- Le garde de protection (15) protège contre le contact accidentel avec la lame de scie (12), tout en laissant visible la zone de coupe.
- Le garde de protection (15) sert également à libérer la lame (12) (voir paragraphe 5.2).

5.2 Changement de la lame (fig. 3/ pos. 12)

Avertissement !

Retirez la batterie avant d'insérer ou de remplacer la lame de scie.

- Vous pouvez insérer ou remplacer les lames de scie sans recourir à d'autres outils.
- Mettez le commutateur de mouvement orbitale (8) en position D (voir la fig. 13).
- Les dents de la lame de scie sont très coupantes !
- Tirez le garde de protection (15) vers l'avant comme montré à la Fig. 2. Le logement de la lame de scie (14) sera alors libéré.
- Poussez la lame (12) dans le logement de la lame de scie (14) jusqu'en butée et laissez le garde de protection (15) glisser lentement vers l'arrière.
- Les dents de la lame de scie (12) doivent être orientées vers l'avant.
- Relâchez le logement de la lame de scie (14). La lame de scie (12) doit se trouver dans le rouleau de guidage (10).
- Vérifiez si la lame de scie (12) est bien fixée dans le logement.
- Le retrait de la lame de scie s'effectue dans l'ordre inverse.
- Pour retirer la lame (12), tirez le garde de protection (15) vers l'avant.
- ATTENTION ! Pendant ce temps, un mécanisme à ressort poussera automatiquement la lame (12) hors du logement de la lame (14). Pour éviter que la lame ne soit catapultée hors du logement lorsque cela se produit, tenez la lame fermement en même temps !

5.3 Montage de la butée parallèle (fig. 4 / pos. 11)

- La butée parallèle (11) vous permet d'effectuer des coupes parallèles.
- Desserrez les deux boutons de verrouillage (13) se trouvant dans la semelle de scie (7).

- Poussez maintenant la butée parallèle (11) dans les guidages de la semelle de scie (7). Vous pouvez placer la butée parallèle (11) du côté gauche ou droit de l'appareil.
- Orientez la barre de guidage toujours vers le bas. Déterminez la distance nécessaire au moyen de l'échelle de mesure de la butée parallèle (11) et resserrez les boutons de verrouillage (13).

Remarque !

Le point de lecture de l'échelle de mesure se trouve sur les points à gauche et à droite (voir les flèches dans la figure 4), en fonction du côté du placement de la butée parallèle. Le marquage au centre de la semelle de scie sert exclusivement pour couper le long d'une ligne et pas pour lire l'échelle de mesure.

5.4 Réglage de la semelle de scie pour les coupes à onglet (fig. 5)

- Utilisez la clé hexagonale (16) pour desserrer les vis de la semelle (A) sur le dessous de la semelle ajustable.
- Tirez la semelle de scie (7) légèrement vers l'arrière. À présent, la semelle de scie peut être inclinée vers la gauche ou la droite.
- Si la semelle de scie (7) est repoussée de nouveau vers l'avant, cela ne fonctionnera qu'à 0°. Déplacez la semelle dans la position souhaitée et revissez la vis de la semelle (A).
- Cependant, la semelle (7) peut également être facilement réglée selon un autre angle. Pour cela, déplacez la semelle (7) vers l'arrière, réglez l'angle souhaité et revissez les vis de la semelle (A).

Important ! Pour les coupes à onglet, les boutons de verrouillage pour la butée parallèle (13) et la protection contre les éclats (17) doivent être retirés.

5.5 Adaptateur pour l'aspiration des copeaux (fig. 6 / pos. 5)

- Reliez votre scie sauteuse avec l'adaptateur pour l'aspiration des copeaux (5) à un aspirateur (non inclus). Cela vous permet d'obtenir une aspiration optimale des poussières de la pièce à usiner. Les avantages : Vous ménagez aussi bien l'appareil que votre propre santé. En outre, votre lieu de travail reste plus propre et plus sûr.
- Les poussières générées pendant le travail peuvent être dangereuses. Veuillez respecter les consignes de sécurité.

- Insérez l'adaptateur (5) comme montré dans la figure 6. L'adaptateur (5) doit s'enclencher de façon audible, de manière à être bien fixé dans la semelle de scie (7).
- À l'aide de l'adaptateur d'angle pour l'aspiration des copeaux (19), vous pouvez également extraire la sciure du côté de la machine.
- Pour ce faire, insérez l'adaptateur d'angle pour l'aspiration des copeaux (19) dans l'adaptateur pour l'aspiration des copeaux (5) comme indiqué à la fig. 6 et tournez l'adaptateur d'angle pour l'aspiration des copeaux (19) dans la position de votre choix.
- Placez le boyau d'aspiration de votre aspirateur sur l'orifice de l'adaptateur pour l'aspiration des copeaux (5). Assurez-vous que la connexion des appareils est étanche à l'air.

5.6 Guidage des lignes de coupe (fig. 7-9 / pos. 6)

Grâce au guidage de ligne de coupe (6), vous pouvez effectuer des coupes exactes selon les lignes de coupe marquées sur la pièce à usiner. Montez le guidage des lignes de coupe (6), en la plaçant au-dessus de la semelle de scie (7) et en laissant s'enclencher en bas, comme montré à la figure 11. Utilisez le marquage au milieu (B) pour le réglage d'angle à 0° (fig. 12) et les marquages à gauche ou à droite (C) pour le réglage d'angle à 45° (fig. 13). Pour le réglage d'angle, voir le point 5.4.

Attention ! Effectuer des coupes d'essai sur un morceau de bois de rebut.

Pour retirer le guidage de ligne de coupe (6), appuyez dessus vers le bas.

5.7 Protection contre les éclats (fig. 1A / pos. 17)

La protection contre les éclats sert à empêcher que le matériau n'éclate ni ne se brise pendant le sciage. Insérez-la dans la semelle de scie comme montré à la fig. 1A.

Installez la protection contre les éclats dans le couvercle amovible (18) par le dessous comme indiqué sur la Fig. 12. Enclenchez-le ensuite dans le couvercle amovible (18) afin de le fixer (2).

Remarque ! La protection contre les éclats ne peut être utilisée que pour les coupes à 0° et doit être retirée pour les coupes à onglet jusqu'à 45°.

6. Fonctionnement

6.1 Interrupteur Marche / Arrêt (fig. 17 / pos. 3)

Mise en marche :

Appuyez sur l'interrupteur Marche / Arrêt (3).

Mise à l'arrêt :

Relâchez l'interrupteur Marche / Arrêt (3).

6.2 Ajustement de la vitesse (Fig. 17/pos. 2)

Vous pouvez présélectionner la vitesse souhaitée avec le sélecteur de vitesse (2). Tournez le sélecteur de vitesse (2) dans le sens PLUS pour augmenter la vitesse, tournez le sélecteur de vitesse (2) dans le sens MOINS pour réduire la vitesse. La vitesse de course appropriée dépend du matériau que vous souhaitez couper et des conditions de travail.

Les règles générales relatives aux vitesses de coupe dans le métal s'appliquent également. Bien que vous puissiez généralement utiliser une vitesse plus élevée avec des lames de scie fines, des vitesses plus faibles sont nécessaires pour les lames de scie grossières.

6.3 Réglage du mouvement orbitale (fig. 13 / pos. 8)

- L'amplitude du mouvement orbitale de la lame de scie (12) peut être réglée à l'aide du commutateur de mouvement orbitale (8).
- Vous pouvez ajuster la vitesse, la performance de coupe et l'apparence de coupe à la pièce à usiner que vous voulez couper.

Mettez le commutateur de mouvement orbitale (8) sur une des positions suivantes :

Position A = Pas de mouvement orbitale.

Matériau : Caoutchouc, céramique, aluminium, acier.

Remarque : Pour des arrêtes de coupe fine et nettes, des matériaux fins (p. ex., tôles) et durs.

Position B = Mouvement orbitale faible.

Matériau : Plastique, bois, aluminium.

Remarque : Pour les matériaux durs.

Position C = Mouvement orbitale moyen.

Matériau : Bois.

Position D = Grand mouvement orbitale.

Matériau : Bois.

Remarque : Pour des matériaux tendres et le sciage dans le sens des fibres.

La meilleure combinaison de réglages de la vitesse et du mouvement orbitale dépend du matériau à couper. Nous recommandons d'effectuer le réglage idéal toujours au moyen d'une coupe d'essai sur une pièce de rebut.

6.4 Exécution des coupes

Attention !

- Pour des coupes précises, droites et longues, nous recommandons d'utiliser une lame de scie d'une épaisseur d'au moins 2 mm ($\frac{1}{16}$ ").
- Assurez-vous que l'interrupteur Marche / Arrêt (3) n'est pas enfoncé. Ne reliez la batterie à l'appareil que dans ce cas.
- N'allumez pas la scie sauteuse avant d'avoir installé une lame de scie.
- Utilisez uniquement des lames en parfait état. Remplacez immédiatement les lames de scie tordues ou fissurées.
- Posez la semelle de scie à plat sur la pièce à travailler. Mettez en marche la scie sauteuse.
- Laissez la lame de scie atteindre sa pleine vitesse. Guidez ensuite la lame de scie lentement le long de la ligne de coupe. Ce faisant, n'exercez qu'une légère pression sur la lame de scie.
- Lorsque vous coupez du métal, appliquez un liquide de refroidissement approprié le long de la ligne que vous souhaitez couper.

6.5 Découpes des zones (fig. 19)

Percez un trou de 5 mm (0.4") dans la zone marquée à l'aide d'une perceuse. Introduisez la lame de scie dans le trou et commencez à découper la zone souhaitée.

6.6 Exécution de coupes parallèles (fig. 20)

- Installez la butée parallèle et ajustez en conséquence (voir le point 5.3).
- Respectez les remarques figurant au point 6.3.
- Effectuez la coupe comme représenté à la figure 20.

6.7 Coupe à onglet (fig. 13)

- Réglez l'angle en conséquence sur la semelle de scie (voir le point 5.4).
- Respectez les remarques figurant au point 6.3.
- Effectuez la coupe comme représenté à la figure 9.

6.8 Lumière DEL (fig. 1A / pos. 4)

La lumière DEL (4) fournit un éclairage supplémentaire du point de coupe. La lumière DEL (4) s'allume automatiquement dès que vous appuyez sur l'interrupteur Marche / Arrêt (3).

6.9 Chargement de la batterie au Lithium-Ion (non inclus)

Vous trouverez les instructions correspondantes dans le mode d'emploi d'origine de votre chargeur.

6.10 Affichage de la capacité de la batterie (image 11/Pos. 18)

Appuyez sur l'interrupteur de l'affichage de la capacité de la batterie (19). L'affichage de la capacité de la batterie (18) signale l'état de charge de la batterie au moyen de 3 DEL.

Les 3 DEL s'allument:

La batterie est complètement chargée.

2 ou 1 DEL s'allument:

La batterie a une charge résiduelle suffisante.

1 DEL clignote:

La batterie est déchargée, chargez la batterie.

Tous les voyants clignotent :

La température de la batterie est trop basse. Retirez la batterie de l'appareil, laissez-la à température ambiante pendant une journée. Si le défaut se reproduit, cela signifie que la batterie rechargeable a subi une décharge complète et est défectueuse. Retirez la batterie de l'équipement. N'utilisez ou ne chargez jamais une batterie défectueuse.

7. Nettoyage et entretien

Danger !

Avant tout travail de nettoyage, retirez la batterie de l'appareil.

7.1 Nettoyage

- Maintenez les dispositifs de protection, les fentes d'aération et les carters de moteur aussi exempt de poussières et de saletés que possible. Frottez l'appareil avec un linge propre et nettoyez-le à l'air comprimé à basse pression.
- Nous recommandons de nettoyer l'appareil directement après chaque utilisation.
- Nettoyez l'appareil régulièrement avec un linge humide et un peu de savon doux. N'utilisez pas de détergeant ni de solvants ; ils peuvent détériorer les éléments en plastique de l'appareil. Veillez à ce que l'eau ne puisse pas pénétrer à l'intérieur de l'appareil. La pénétration de l'eau dans un appareil électrique augmente le risque d'une électrocution.

7.2 Entretien

L'intérieur de l'appareil ne contient pas de pièces exigeant un entretien.

8. Élimination et recyclage

L'appareil se trouve dans un emballage pour empêcher les dommages dus au transport. Cet emballage constitue une matière première et peut par conséquent être réutilisé ou peut être recyclé. L'appareil et ses accessoires sont fabriqués à partir de différents produits, comme par exemple le métal et les matières plastiques. Ne jetez pas les appareils défectueux dans les déchets ménagers. Pour être éliminé de façon appropriée, l'appareil devrait être déposé à un lieu de collecte approprié. Si vous ne connaissez aucun lieu de collecte, informez-vous auprès de l'administration municipale.

9. Entreposage

Entreposez l'appareil et ses accessoires dans un endroit sombre, sec et exempt de gel ainsi que hors la portée des enfants. La température d'entreposage optimale se situe entre 10 °C et 40 °C (50 °F et 104 °F). Entreposez l'outil électrique dans l'emballage d'origine.

Une réimpression ou toute autre reproduction de la documentation et des documents accompagnant les produits, même par extraits, ne sont autorisées qu'avec accord exprès d'Einhell Germany AG.

Sous réserve des modifications techniques.



Peligro! - Leer el manual de instrucciones para reducir cualquier riesgo de sufrir daños.



Cuidado! Usar protección para los oídos. La exposición al ruido puede ser perjudicial para el oído.



Cuidado! Es preciso ponerse una mascarilla de protección. Puede generarse polvo dañino para la salud cuando se realicen trabajos en madera o en otros materiales. ¡Está prohibido trabajar con material que contenga asbesto!



Cuidado! Llevar gafas de protección. Durante el trabajo, la expulsión de chispas, astillas, virutas y polvo por el aparato pueden provocar pérdida de vista.



Almacenamiento de las baterías sólo en espacios secos con una temperatura ambiente de 50°F to 104°F (+10°C to +40°C). Guardar las baterías únicamente cuando estén cargadas (mín. al 40%).

Peligro!

Al usar aparatos es preciso tener en cuenta una serie de medidas de seguridad para evitar lesiones o daños. Por este motivo, es preciso leer atentamente este manual de instrucciones/advertencias de seguridad. Guardar esta información cuidadosamente para poder consultarla en cualquier momento. En caso de entregar el aparato a terceras personas, será preciso entregarles, asimismo, el manual de instrucciones/advertencias de seguridad. No nos hacemos responsables de accidentes o daños provocados por no tener en cuenta este manual y las instrucciones de seguridad.

1. Instrucciones de seguridad**Peligro!**

Lea todas las instrucciones de seguridad e indicaciones. El incumplimiento de dichas instrucciones e indicaciones puede provocar descargas, incendios y/o daños graves. **Guarde todas las instrucciones de seguridad e indicaciones para posibles consultas posteriores.**

Instrucciones generales de seguridad para herramientas eléctricas

El término de "herramienta eléctrica" que se usa en las instrucciones de seguridad se refiere a las herramientas que funcionan en red (con cable de conexión) y con batería (sin cable de conexión).

1. Seguridad en el lugar de trabajo

- a) **Mantener limpia y bien iluminada la zona de trabajo.** *Las zonas de trabajo desordenadas o sin luz pueden conllevar accidentes.*
- b) **No trabajar con este aparato eléctrico en un entorno explosivo en el que se hallen líquidos, gases o polvos inflamables.** *Las herramientas eléctricas generan chispas que pueden inflamar el polvo o los vapores.*
- c) **Mantener alejados a niños y a otras personas fuera del alcance de la herramienta eléctrica.** *Las distracciones pueden hacer perder el control sobre el aparato.*

2. Seguridad eléctrica

- a) **El enchufe del aparato eléctrico debe ser el adecuado para la toma de corriente. El enchufe no debe ser modificado de ningún modo. No emplear adaptadores de enchufe con aparatos eléctricos puestos a tierra.** *Los enchufes sin modificar y las*

tomas de corriente adecuadas reducen el riesgo de una descarga eléctrica.

- b) **Evitar el contacto corporal con superficies con toma de tierra como tubos, calefacciones, fogones y frigoríficos.** *Existe un gran riesgo de descarga eléctrica si su cuerpo se halla puesto a tierra.*
 - c) **Mantener los aparatos eléctricos alejados de la lluvia o la humedad.** *Si entra agua en el aparato eléctrico existirá mayor riesgo de una descarga eléctrica.*
 - d) **No utilizar el cable de forma inadecuada, no utilizarlo para transportar el aparato, colgarlo o retirarlo de la toma de corriente. Mantener el cable alejado del calor, aceites, cantos afilados o partes del aparato en movimiento.** *Los cables dañados o mal enrollados aumentan el riesgo de descarga eléctrica.*
 - e) **Si se trabaja con una herramienta eléctrica al aire libre, emplear sólo alargaderas que también sean adecuadas para el exterior.** *El empleo de una alargadera apropiada para trabajos en el exterior reduce el riesgo de descarga eléctrica.*
 - f) **Si no se puede evitar tener que utilizar la herramienta eléctrica en un entorno húmedo, utilizar un dispositivo de protección diferencial.** *El uso de un dispositivo de protección diferencial reduce el riesgo de sufrir una descarga eléctrica.*
- 3. Seguridad de personas**
- a) **Prestar atención al trabajo, comprobar lo que se está haciendo y proceder de forma razonable durante el trabajo de una herramienta eléctrica. No emplear la herramienta eléctrica si se está cansado o bajo la influencia de drogas, alcohol o medicamentos.** *Una mínima falta de atención durante el uso de la herramienta eléctrica puede causar lesiones graves.*
 - b) **Llevar equipo de protección personal. Llevar siempre gafas protectoras.** *El equipo de protección (como mascarilla antipolvo, calzado de seguridad antideslizante, casco o protección auditiva) usado en las condiciones adecuadas sirve para reducir las lesiones personales.*
 - c) **Prevenir un arranque no intencionado. Asegurarse de que el interruptor se encuentre en la posición OFF antes de conectar la herramienta a la fuente eléctrica y/o BATERÍA, alzarla o transportarla.** *El transporte de herramientas eléctricas con el*

dedo en el interruptor o la activación de herramientas eléctricas con el interruptor en ON puede provocar accidentes.

- d) **Retirar las herramientas de ajuste o la llave antes de conectar la herramienta eléctrica.** *Una herramienta o llave que se haya olvidado en partes giratorias del aparato puede producir lesiones.*
 - e) **Evitar trabajar en una posición corporal inadecuada. Adoptar una posición segura y mantener en todo momento el equilibrio.** *Ello permite controlar mejor la herramienta eléctrica en situaciones inesperadas.*
 - f) **Llevar ropa de trabajo adecuada. No llevar ropa holgada ni joyas durante el trabajo. Mantener el cabello, la ropa y los guantes alejados de las piezas en movimiento.** *La ropa holgada, las joyas o los cabellos largos pueden ser atrapados por las piezas en movimiento.*
 - g) **Si el aparato permite instalar dispositivos de aspiración y recogida del polvo, es preciso asegurarse de que estén conectados y se empleen de forma correcta.** *La utilización de un aspirador de polvo puede reducir los peligros provocados por el mismo.*
 - h) **A pesar de estar muy familiarizado con el uso de las herramientas, no confiarse en exceso ni ignorar las normas de seguridad de la herramienta.** *Un descuido puede conllevar una lesión grave en milésimas de segundo.*
- 4. Empleo y tratamiento de la herramienta eléctrica**
- a) **No sobrecargar el aparato. Usar la herramienta eléctrica específica para cada trabajo.** *Con la herramienta eléctrica adecuada se trabaja mejor y con más seguridad permaneciendo dentro de la potencia indicada.*
 - b) **No usar ninguna herramienta eléctrica cuyo interruptor esté defectuoso.** *Una herramienta eléctrica que ya no pueda conectarse o desconectarse conlleva peligros y debe repararse.*
 - c) **Desconectar el enchufe de la toma de corriente y/o retirar la batería, si es desmontable, de la herramienta eléctrica antes de realizar cualquier ajuste, cambiar accesorios o almacenarla.** *Este tipo de medidas de seguridad preventivas sirve para reducir el riesgo de poner en marcha la herramienta eléctrica de manera involuntaria.*
 - d) **Guardar las herramientas eléctricas que no se usen fuera del alcance de los niños.**

No permitir el uso del aparato a personas que no estén familiarizadas con él o no hayan leído estas instrucciones. *Las herramientas eléctricas son peligrosas si las usan personas sin experiencia.*

- e) **Realizar el mantenimiento de las herramientas eléctricas y los accesorios. Comprobar que las piezas móviles no estén desajustadas ni atascadas, que las piezas no presenten rotura ni otras condiciones que puedan afectar al funcionamiento de la herramienta eléctrica.** *En caso de que la herramienta eléctrica esté dañada, es preciso que sea reparada antes de utilizarla de nuevo.* *Muchos accidentes se provocan a causa de un mantenimiento deficiente de la herramienta eléctrica.*
 - f) **Mantener limpias y afiladas las herramientas de corte.** *Las herramientas de corte bien cuidadas con cantos afilados se bloquean con menor frecuencia y pueden manejarse de forma más sencilla.*
 - g) **Respetar estas instrucciones cuando se desee utilizar la herramienta eléctrica, los accesorios, piezas de recambio, etc. Para ello, tener en cuenta las condiciones de trabajo y la tarea a ejecutar.** *El uso de herramientas eléctricas para otros fines diferentes a los previstos puede originar situaciones peligrosas.*
 - h) **Mantener asas y empuñaduras secas, limpias y libres de aceite y grasa.** *Las asas y empuñaduras resbaladizas impiden manejar con seguridad y controlar la herramienta en situaciones inesperadas.*
- 5. Empleo y tratamiento de la herramienta eléctrica**
- a) **Cargar la batería sólo en cargadores recomendados por el fabricante.** *Existe el peligro de incendio si se utiliza un cargador, indicado sólo para un tipo concreto de baterías, para otro tipo de baterías.*
 - b) **Utilizar sólo las baterías indicadas para la herramienta eléctrica en cuestión.** *El uso de otras baterías puede provocar daños y conllevar peligro de incendio.*
 - c) **Mantener cualquier batería que no se esté utilizando alejada de grapas, monedas, llaves, clavos, tornillos u otros objetos metálicos pequeños que podrían provocar un puenteo de los contactos.** *Un cortocircuito entre los contactos de la batería puede tener como consecuencia quemaduras o provocar fuego.*

- d) **Si se utiliza incorrectamente podría salir líquido de la batería. Evitar el contacto con el líquido. En caso de tocar accidentalmente el líquido, lavar la zona afectada con agua. Si el líquido penetra en los ojos, acudir a un médico. El líquido de la batería puede provocar irritaciones en la piel o quemaduras.**
- e) **No utilizar BATERÍAS ni herramientas que estén dañadas o modificadas. Las baterías dañadas o modificadas pueden manifestar comportamientos impredecibles que pueden dar lugar a incendio, EXPLOSIÓN o riesgo de lesión.**
- f) **No exponer una BATERÍA ni herramienta al fuego o a una temperatura excesiva. La exposición al fuego o a una temperatura superior a los 266°F (130°C) puede provocar una explosión.**
- g) **Seguir todas las instrucciones de carga y no cargar la BATERÍA ni herramienta fuera del margen de temperatura especificado en las instrucciones. Una carga inadecuada o a temperaturas fuera del margen especificado puede dañar la batería e incrementar el riesgo de incendio.**
- 6. Servicio**
- a) **Sólo especialistas cualificados deben reparar la herramienta eléctrica, empleando para ello únicamente piezas de repuesto originales. Esta forma de proceder garantiza la seguridad de la herramienta eléctrica.**
- b) **No reparar nunca BATERÍAS dañadas. La reparación de las BATERÍAS dañadas solo la puede llevar a cabo el fabricante o un distribuidor autorizado.**

Instrucciones de seguridad especiales

Con el fin de ofrecerte baterías con la máxima densidad de energía, larga duración y seguridad, prestamos el mayor cuidado en su montaje. Las celdas de la batería disponen de dispositivos de seguridad de varios niveles. En primer lugar se asigna el formato a cada celda y se registran sus características eléctricas. A continuación, estos datos se utilizan para agrupar las celdas y crear la mejores baterías. **A pesar de todas las medidas de seguridad, siempre es necesario tener precaución al utilizar baterías. Para un funcionamiento seguro es obligatorio tener en cuenta los siguientes puntos.**
¡El funcionamiento seguro sólo está garantizado si las celdas no están dañadas! Un manejo inadecuado puede dañar las celdas.

¡Atención! Los análisis confirman que un uso y un cuidado inadecuados son la principal causa de los daños provocados por baterías de alta potencia.

Advertencias sobre la batería

1. La batería del aparato no se suministra cargada. Antes de la primera puesta en marcha, es preciso recargarla por completo.
2. ¡Para que la batería trabaje de forma óptima evitar ciclos de descarga prolongados! Recargar la batería con frecuencia.
3. Guardar la batería en un lugar fresco, lo ideal son 59°F (15°C), y como mínimo cargada al 40%.
4. Las baterías de iones de litio están sujetas a un desgaste natural. ¡La batería debe ser sustituida como muy tarde cuando su rendimiento sea menor al 80% respecto a su estado cuando era nueva! Las celdas deterioradas de un conjunto de baterías envejecido no cumplen con los altos requisitos de rendimiento, representando un riesgo para la seguridad.
5. No tirar las baterías usadas al fuego. ¡Peligro de explosión!
6. No prender la batería ni exponerla al fuego.
7. **¡Evitar una descarga total de las baterías!** Este tipo de descarga daña las celdas de la batería. La causa más frecuente de la descarga total de la batería es el largo almacenamiento o la no utilización de baterías parcialmente descargadas. Terminar el trabajo en cuanto se aprecie que la potencia disminuye o se activa el sistema electrónico de protección. Almacenar la batería sólo tras haberla cargado completamente.
8. **¡Proteger las baterías y el aparato contra sobrecarga!** La sobrecarga conduce rápidamente a un sobrecalentamiento y daño de las celdas del interior de la carcasa de batería, sin que el sobrecalentamiento se perciba externamente.
9. **¡Evitar daños y golpes!** Sustituir inmediatamente las baterías que hayan caído desde una altura superior a un metro o que hayan sufrido golpes fuertes, incluso aunque la carcasa de la batería no parezca dañada. Las celdas que se encuentren en su interior podrían estar gravemente dañadas. Tener en cuenta también las indicaciones de eliminación.
10. En caso de sobrecarga y sobrecalentamiento, el circuito de protección integrado desconecta el aparato por motivos de seguridad.

¡Atención! Dejar de pulsar el interruptor On/Off cuando el circuito de protección haya desconectado el aparato. Podría dañar la batería.

11. Utilizar exclusivamente baterías originales. El uso de otras baterías puede provocar daños, así como explosión y peligro de incendio.
12. **Proteger la batería de la humedad, la lluvia y la humedad ambiental elevada.** La humedad, la lluvia y la humedad ambiental elevada pueden provocar daños peligrosos en las celdas. No cargar ni trabajar nunca con baterías que hayan estado expuestas a la humedad, la lluvia o humedad ambiental elevada, ¡reemplazarlas de inmediato!
13. Si el aparato está dotado de una batería extraíble, por motivos de seguridad será preciso extraerla una vez finalizado el trabajo.

Advertencias sobre el cargador y el proceso de carga

1. Observar los datos indicados en la placa de identificación del cargador. Conectar el cargador sólo a la tensión nominal indicada en la placa de características.
2. Proteger el cargador y el cable de daños y cantos afilados. Los cables dañados deben ser cambiados exclusivamente por un electricista profesional.
3. Mantener el cargador, las baterías y el aparato fuera del alcance de niños.
4. No emplear cargadores dañados.
5. No emplear el cargador suministrado para cargar otros aparatos a batería.
6. La batería se calienta bajo condiciones extremas de aplicación. Dejar que la batería se enfríe hasta alcanzar la temperatura ambiental antes de empezar a cargar.
7. **¡No cargar demasiado las baterías!** Respetar los tiempos de carga máximos. Estos tiempos de carga se aplican únicamente a baterías descargadas. Si una batería cargada o parcialmente cargada se conecta varias veces al cargador se produce una sobrecarga y un daño de las celdas. No deje las baterías en el cargador por más de 48 horas.
8. **No utilizar ni cargar nunca baterías si se tiene la sospecha de que la última carga de la batería puede haberse realizado hace más de 12 meses.** Existe una alta probabilidad de que la batería ya esté gravemente dañada (descarga total).
9. Cargar la batería a una temperatura de menos de 50°F (10°C) provoca daños químicos en las celdas y puede conllevar peligro de

incendio.

10. No utilizar baterías que se hayan calentado durante la carga, ya que sus celdas podrían dañarse peligrosamente.
11. Dejar de usar baterías que se hayan deformado o abombado durante la carga, o aquellas que presenten síntomas inusuales (desprendimiento de gases, zumbidos, chasquidos,...)
12. No descargar la batería por completo (nivel de descarga recomendado: máx. 80%). La descarga total provoca un envejecimiento prematuro de las celdas de la batería.
13. ¡No cargar nunca las baterías sin supervisión!

Protección contra influencias ambientales

1. Ponerse ropa de trabajo adecuada. Ponerse gafas de protección.
2. **Proteger el aparato y el cargador de la humedad y la lluvia.** Éstas podrían provocar daños peligrosos en las celdas.
3. No utilizar el aparato y el cargador cerca de vapores y líquidos inflamables.
4. Utilizar el cargador y el aparato a batería sólo si están secos y a una temperatura ambiente de 50°F-104°F (10-40 °C).
5. No guardar la batería en lugares que puedan alcanzar una temperatura superior a 104°F (40 °C), especialmente no en un vehículo aparcado al sol.
6. **¡Proteger las baterías contra un sobrecalentamiento!** La sobrecarga, carga excesiva o la radiación solar conducen a un sobrecalentamiento y al daño de las celdas. No cargar ni trabajar en ningún caso con baterías que se hayan sobrecalentado. Sustituirlas inmediatamente.
7. **Almacenamiento de baterías, cargadores y del aparato.** Guardar siempre el cargador y el aparato en habitaciones secas con una temperatura ambiente de 50°F-104°F (10-40°C). Guardar la batería de iones de litio en un lugar fresco y seco a 50°F-68°F (10-20°C). ¡Proteger de la humedad ambiental y de la radiación solar! Guardar las baterías únicamente cuando estén cargadas (mín. al 40%).
8. Evitar que la batería de iones de litio se hielan. Deshacerse de las baterías que hayan estado guardadas a 32°F (0°C) durante más de 60 minutos.
9. Llevar cuidado con la carga electrostática al manipular baterías: las descargas electrostáticas provocan daños en el sistema electrónico de protección y las celdas de la batería. ¡Evitar por ello la carga electrostática y no tocar nunca los polos de la batería!

Precaución y eliminación de la batería

Eliminación

Si su artefacto necesita ser reemplazado luego de un uso prolongado, no lo arroje a la basura doméstica. Hágalo de una forma ecológica y segura.



Los desechos producidos por máquinas eléctricas no deben ser manipulados como basura doméstica común. Recíclelos donde hayan emplazamientos de reciclaje.

Consulte con las autoridades o tienda minorista de su localidad para obtener información sobre reciclaje.

Deshágase de su batería de acuerdo con los reglamentos federales, estatales y locales. Para encontrar lugares de reciclaje, comuníquese con un servicio de reciclaje en su localidad.

⚠ ¡PRECAUCIÓN! Incluso las baterías descargadas contienen algo de energía. Antes de deshacerse de éstas, use cinta aislante para cubrir los terminales y evitar que la batería haga cortocircuito, lo cual puede causar una explosión o incendio.

⚠ ¡ADVERTENCIA! Para reducir el riesgo de lesiones personales o explosión, nunca queme o incinere una batería incluso si está dañada, inservible o completamente descargada. Al ser quemada, los humos y materiales tóxicos son emitidos a la atmósfera circundante.

1. Las baterías varían de acuerdo al dispositivo. Consulte su manual para obtener la información específica.
2. Instale solo nuevas baterías del mismo tipo en su producto (donde corresponda).
3. No insertar las baterías con la polaridad correcta, tal como se indica en el compartimiento de la batería o en el manual, puede reducir el ciclo de vida útil de las baterías o causar fugas en las baterías.
4. No combine baterías nuevas con antiguas.
5. No combine baterías alcalinas, estándar (de zinc-carbono) o recargables (de níquel-cadmio, de níquel-hidruro metálico o de iones de litio).
6. No arroje las baterías al fuego. Pueden llegar a explotar.
7. Las baterías deben ser recicladas o desechadas según los reglamentos locales y estatales.

Para el envío o la eliminación de baterías o del aparato, estos deben embalarse por separado en bolsas de plástico para evitar cortocircuitos o incendios.

Instrucciones especiales de seguridad Sierra de vaivén inalámbrica

- **Sujetar la herramienta eléctrica por las empuñaduras aisladas al realizar trabajos en los que el accesorio de corte pueda tocar cables eléctricos ocultos.** Los accesorios de corte que entren en contacto con cables con corriente pueden hacer que las partes metálicas al descubierto de la herramienta eléctrica le provoquen una descarga eléctrica al usuario.
- **Fijar y asegurar la pieza a una base estable utilizando tornillos de banco u otros medios de fijación.** Si se sujeta la pieza solo con la mano o contra el propio cuerpo, la pieza no permanece estable y se puede producir una pérdida de control.
- Guardar la herramienta en un sitio seguro y mantenerla fuera del alcance de los niños.
- Ponerse siempre gafas de protección, guantes de seguridad, protección auditiva y emplear una mascarilla si se realizan trabajos que generen gran cantidad de polvo.
- ¡No dejar ninguna llave puesta en la máquina! Comprobar que llaves y herramientas de ajuste hayan sido extraídas antes de enchufar la máquina.
- Asegurar la pieza para evitar que se mueva (fijar).
- **No se deben trabajar materiales que contengan asbesto.**
- Respetar las disposiciones en materia de prevención de accidentes de la mutua correspondiente.
- Utilizar únicamente piezas de recambio originales.
- Las reparaciones sólo debe llevarlas a cabo un electricista profesional.
- El ruido en la zona de trabajo podría superar los 85 dB (A). En este caso, se deben tomar medidas de protección contra el ruido para el operario.
- Mantener una posición estable durante el trabajo. Evitar una posición corporal inadecuada.
- No exponer la herramienta eléctrica a la lluvia. No utilizar herramientas eléctricas en un ambiente húmedo o mojado, o cerca de líquidos inflamables.
- Mantener ordenada la zona de trabajo.

- Ponerse ropa de trabajo adecuada. No llevar ropa holgada ni joyas mientras se trabaja. Llevar una reddecilla para el cabello si se tiene el pelo largo.
- Para su propia seguridad, utilizar sólo los accesorios y componentes originales del fabricante de la herramienta.
- Emplear sólo hojas de sierra afiladas y en perfecto estado. Cambiar inmediatamente las hojas de sierra curvadas o agrietadas.
- Después de desconectar la máquina, no se debe frenar en ningún caso la hoja de la sierra ejerciendo contrapresión en los lados de la misma.
- Asegurarse de que la máquina avanza de forma uniforme para evitar cualquier peligro de accidente y alargar la vida útil de la hoja de sierra y de la sierra.
- Limpiar la herramienta sólo con un paño húmedo. No emplear productos de limpieza agresivos.
- Comprobar que la herramienta funciona de forma correcta. En caso de funcionamiento defectuoso, encárguese de que el aparato sea revisado. La totalidad de los trabajos de inspección y mantenimiento serán llevados a cabo únicamente por electricistas profesionales.

GUARDE ESTAS INSTRUCCIONES

2. Descripción del aparato y volumen de entrega

2.1 Descripción del aparato

1. Empuñadura
2. Regulador de velocidad
3. Interruptor ON/OFF
4. Luz LED
5. Adaptador para aspiración de virutas
6. Guía de la línea de corte
7. Zapata ajustable
8. Conmutador para carrera oscilante
9. Escala graduada para zapata
10. Rodillo guía
11. Tope en paralelo
12. Hoja de sierra
13. Tornillos de fijación para tope en paralelo
14. Alojamiento para la hoja de sierra
15. Cubierta de protección
16. Llave de hexágono interior
17. Protección contra astillas
18. Cubierta extraíble

19. Adaptador de codo para aspiración de virutas
20. Indicador de capacidad de batería
21. Pulsador para indicar la capacidad de batería

2.2 Volumen de entrega

Sirviéndose de la descripción del volumen de entrega, comprobar que el artículo esté completo. Si faltase alguna pieza, dirigirse a nuestro Service Center o a la tienda especializada más cercana en un plazo máximo de 5 días laborales tras la compra del artículo presentando un recibo de compra válido.

- Abrir el embalaje y extraer cuidadosamente el aparato.
- Retirar el material de embalaje, así como los dispositivos de seguridad del embalaje y para el transporte (si existen).
- Comprobar que el volumen de entrega esté completo.
- Comprobar que el aparato y los accesorios no presenten daños ocasionados durante el transporte.
- Si es posible, almacenar el embalaje hasta que transcurra el periodo de garantía.

Peligro!

¡El aparato y el material de embalaje no son un juguete! ¡No permitir que los niños jueguen con bolsas de plástico, láminas y piezas pequeñas! ¡Riesgo de ingestión y asfixia!

- Sierra de vaivén inalámbrica
- Tope en paralelo
- Adaptador para aspiración de virutas
- Guía de la línea de corte
- Protección contra astillas
- Llave de hexágono interior
- Adaptador de codo para aspiración de virutas
- Manual de instrucción original con instrucción de seguridad

Accesorios disponibles por separado

- 18V 1.5Ah PXC batería Li-Ion
- 18V 2.0Ah PXC batería Li-Ion
- 18V 2.5Ah PXC batería Li-Ion
- 18V 3.0Ah PXC batería Li-Ion
- 18V 4.0Ah PXC batería Li-Ion
- 18V 3.0Ah PXC Plus batería Li-Ion
- 18V 4.0Ah PXC Plus batería Li-Ion
- 18V 5.2Ah PXC Plus batería Li-Ion
- 18V 4.0Ah/6.0Ah PXC Plus batería Li-Ion
- 18V 5.0Ah/8.0Ah PXC Plus batería Li-Ion
- 18V PXC cargador rápido de doble Puerto
- 18V PXC cargador rápido


Comuníquese con su distribuidor local para obtener modelos más específicos de baterías y cargadores disponibles en su área. Explorar las opciones de batería y cargador en einhell.com

3. Uso adecuado

La sierra de vaivén se ha diseñado exclusivamente para cortar madera, metales, metales no féreos y plásticos, empleando la hoja de sierra adecuada.

Utilizar la máquina sólo en los casos que se indican explícitamente como de uso adecuado. Cualquier otro uso no será adecuado. En caso de uso inadecuado, el fabricante no se hace responsable de daños o lesiones de cualquier tipo; el responsable es el usuario u operario de la máquina.

4. Características técnicas

Alimentación de tensión de motor: 18V 
 Longitud de la carrera: 1-1/2" (26 mm)
 Carreras por minuto: 0-3500 SPM (min⁻¹)
 Capacidad de bisel máx.: +/-45°
 Capacidad máxima de corte:
 Madera:..... 5-1/4" (135 mm)
 Hierro:..... 1 3/32" (10 mm)
 Plásticos: 1 3/16" (20 mm)
 Movimiento orbital..... 4 ajustes
 Peso: 4.85 lb (2.2 kg)

Usar protección para los oídos.

La exposición al ruido puede ser perjudicial para el oído.

¡Reducir la emisión de ruido y las vibraciones al mínimo!

- Emplear sólo aparatos en perfecto estado.
- Realizar el mantenimiento del aparato y limpiarlo con regularidad.
- Adaptar el modo de trabajo al aparato.
- No sobrecargar el aparato.
- En caso necesario dejar que se compruebe el aparato.
- Apagar el aparato cuando no se esté utilizando.

Cuidado!

Riesgos residuales

Incluso si esta herramienta se utiliza adecuadamente, siempre existen riesgos residuales. En función de la estructura y del diseño de esta herramienta eléctrica pueden producirse los siguientes riesgos:

1. Lesiones pulmonares en caso de que no se utilice una mascarilla de protección antipolvo.
2. Lesiones auditivas en caso de que no se utilice una protección para los oídos adecuada.
3. Daños a la salud derivados de las vibraciones de las manos y los brazos si el aparato se utiliza durante un largo periodo tiempo, no se sujeta del modo correcto o si no se realiza un mantenimiento adecuado.

5. Antes de la puesta en marcha

¡Aviso!

Quitar siempre la batería antes de realizar ajustes en el aparato.

5.1 Cubierta de protección (fig. 1/pos. 15)

- La cubierta de protección (15) evita todo contacto con la hoja de sierra (12) y permite, sin embargo, controlar visualmente el área de corte.
- La cubierta de protección (15) sirve además para desbloquear la hoja de sierra (12) (véase punto 5.2)

5.2 Cambio de hoja de sierra (fig. 2/pos. 12)

¡Aviso!

Quitar la batería antes de insertar o cambiar una hoja de sierra.

- Es posible insertar o cambiar hojas de sierra sin utilizar otras herramientas.
- Llevar el conmutador para carrera oscilante (8) a la posición A (ver fig.18).
- Los dientes de la hoja de sierra están muy afilados.
- Tirar de la cubierta de protección (15) hacia delante, como se muestra en la figura 2. De este modo se desbloquea el alojamiento para la hoja de sierra (14).
- Introducir a continuación la hoja de sierra (12) hasta el tope en el alojamiento para la hoja de sierra (14) y volver a dejar que la cubierta de protección (15) se deslice lentamente hacia atrás.
- El dentado de la hoja de sierra debe mirar hacia delante.

- Es preciso asegurarse de que la hoja de sierra (12) quede asentada en el rodillo guía (10).
- Comprobar que la hoja de sierra (12) quede firmemente asentada en el alojamiento para la hoja de sierra (14).
- Para retirar la hoja de sierra (12), volver a tirar de la cubierta de protección (15) hacia delante.
- ¡ATENCIÓN! La hoja de sierra (12) saldrá del alojamiento para la misma (14) presionada por un mecanismo de resorte. ¡Sujetar bien la hoja de la sierra para que no salga proyectada!

5.3 Montaje del tope en paralelo (fig. 4/pos. 11)

- El tope en paralelo (11) permite ejecutar cortes en paralelo.
- Aflojar los dos tornillos de fijación (7) de la zapata (13).
- Introducir el tope en paralelo (11) en las guías de la zapata (7). Es posible emplear dicho tope (11) tanto en el lado izquierdo como en el lado derecho del aparato.
- El listón guía mira siempre hacia abajo. Determinar la distancia necesaria con la escala de medición del tope en paralelo (11) y volver a apretar los tornillos de fijación (13).

5.4 Cómo ajustar la zapata para cortes de ingletes (fig. 7)

- Aflojar el tornillo para la zapata (A) en la parte inferior de la zapata ajustable (7) con la llave de hexágono interior (16) (fig. 7).
- Tirar de la zapata (7) ligeramente hacia atrás. La zapata puede inclinarse hasta 45° hacia la izquierda o derecha.
- Si la zapata (7) vuelve a desplazarse hacia delante, solo funcionará a 0°. Colocar la zapata en la posición correspondiente y apretar el tornillo para zapata (A).
- La zapata (7) también puede, sin embargo, ajustarse sin más en otro ángulo. Para ello, tirar de la zapata (7) hacia atrás, ajustar el ángulo deseado y volver a apretar el tornillo para zapata (A).

¡Advertencia! Al realizar cortes de ingletes debe retirarse la protección contra astillas (17).

5.5 Adaptador para aspiración de virutas (fig. 5/pos.5)

- Conectar la sierra de vaivén inalámbrica con el adaptador para aspiración de virutas (5) a un aspirador. Dicha conexión permite aspirar de forma óptima las virutas de la pieza. Las ventajas: Favorece el manejo del aparato, al mismo tiempo que protege la salud. El área de trabajo permanece además más limpia y segura.
- El polvo que se genera durante el trabajo puede ser peligroso. Tener en cuenta para ello las instrucciones de seguridad.
- Insertar el adaptador para la aspiración de virutas (5) tal y como se muestra en la figura 6. Se debe poder escuchar que el adaptador para la aspiración de virutas (5) se encaja, lo que indica que está bien sujeto en la zapata (7).
- Además, con el adaptador de codo para aspiración de virutas (19) se tiene la opción de guiar la aspiración por el lateral del aparato.
- Para ello, introducir el adaptador de codo para aspiración de virutas (19) en el adaptador para aspiración de virutas (5) como en la fig. 6 y girar el adaptador de codo para aspiración de virutas (19) a una posición cualquiera.
- Insertar el tubo flexible de su aspirador en la abertura del adaptador para la aspiración de virutas (5). Asegurarse de que las conexiones queden bien herméticas.

5.6 Guía de la línea de corte (fig. 11-13/pos. 6)

Con la guía de la línea de corte (6) se pueden realizar cortes de precisión según líneas de corte dibujadas sobre la pieza a trabajar. Montar la guía de la línea de corte colocándola arriba en la zapata (7) y dejando que se enclave abajo según se muestra en la fig. 11. Emplear la marca (B) en el ajuste del ángulo de 0° (fig. 12) y la marca (C) en el ajuste del ángulo de 45° (fig. 13). Para el ajuste del ángulo ver el punto 5.4

¡Atención! Realizar cortes de prueba en una pieza de madera sobrante.

Para retirar la guía de la línea de corte (6) basta con presionarla hacia abajo.

5.7 Protección contra astillas (fig. 1A/pos. 17)

La protección contra astillas evita que el material a trabajar se astille o se rompa al serrar.

Colocar la protección contra astillas en la cubierta extraíble (18) desde abajo, como se muestra en la figura 12. A continuación, enclavarla en la cubierta extraíble (18) para fijarla (1A).

¡Advertencia! ¡La protección contra astillas sólo puede utilizarse para cortes de 0° y debe retirarse para cortes de ingletes de hasta 45°!

5.8 Cubierta extraíble (fig. 14/pos. 18)

La zapata regulable puede ser provista de una cubierta extraíble (18). Esta impide que las superficies delicadas se arañen.

Para colocar la cubierta extraíble (18), engancharla por delante, como en la fig. 14, y plegarla hacia atrás sobre la zapata hasta que se oiga encajar.

El desmontaje se lleva a cabo realizando la misma secuencia pero en sentido contrario.

6. Manejo**6.1 Interruptor ON/OFF (fig. 17/pos. 3)****Encender:**

Pulsar el interruptor ON/OFF (3).

Apagar:

Soltar el interruptor ON/OFF (3).

6.2 Cómo ajustar la velocidad (fig. 17/pos. 2)

El regulador de velocidad (2) permite preajustar la velocidad deseada. Girar el regulador de velocidad (2) en el sentido MÁS para aumentar la velocidad, girar el regulador de velocidad (2) en el sentido MENOS para disminuir la velocidad. El número adecuado de revoluciones depende del material y de las condiciones de trabajo en cada caso.

También se aplicarán aquí las normas generales en cuanto a la velocidad de corte durante trabajos con arranque de virutas.

Las hojas de sierra finas permiten trabajar generalmente con un elevado número de revoluciones; las hojas de sierra más gruesas requieren velocidades inferiores.

6.3 Ajuste de la carrera oscilante (fig. 15/pos. 8)

En el conmutador para carrera oscilante (8) puede ajustarse la intensidad del movimiento oscilante de la hoja de sierra (12) durante la carrera. Es posible adaptar la velocidad, la potencia y el aspecto del corte según la pieza a trabajar.

Ajustar el conmutador para carrera oscilante (8) a una de las posiciones siguientes:

Posición A = ninguna oscilación

Material: goma, cerámica, aluminio, acero

Observación: Para recortar cantos de forma precisa y limpia, para materiales finos (p. ej., chapas) y materiales duros.

Posición B = poca oscilación

Material: plástico, madera, aluminio

Observación: Para materiales duros

Posición C = oscilación media

Material: madera

Posición D = gran oscilación

Material: madera

Observación: Para materiales blandos y para serrar en el sentido de la fibra

La mejor combinación de ajuste de velocidad y carrera oscilante depende del material a trabajar. Recomendamos elegir siempre el ajuste ideal realizando un corte de prueba en una pieza de sobra.

6.4 Ejecución de cortes**¡Cuidado!**

Para cortes largos, rectos y exactos recomendamos utilizar una hoja de sierra con un grosor de al menos 1/16" (1,5 mm).

- Asegurarse de que el interruptor ON/OFF (3) no esté pulsado. Conectar a continuación la batería con el aparato.
- Conectar la sierra de vaivén sólo con la hoja de sierra incorporada.
- Emplear sólo hojas de sierra en perfecto estado. Cambiar de forma inmediata las hojas de sierra rotas, torcidas o con fisuras.
- Colocar la base de la sierra plana sobre la pieza a trabajar. Conectar la sierra de vaivén.
- Esperar hasta que la hoja de sierra haya alcanzado la velocidad máxima. Desplazar a continuación la hoja de sierra lentamente por la línea de corte. Ejercer sólo una ligera presión sobre la hoja de sierra.

- Usar un refrigerante adecuado sobre la línea de corte siempre que se desee serrar metal.

6.5 Cómo recortar áreas (fig. 19)

Hacer un agujero de 0.4" (10 mm) con una taladradora dentro del área a recortar. Introducir la hoja de sierra en este agujero y empezar a recortar el área deseada.

6.6 Ejecución de cortes paralelos (fig. 20)

- Montar el tope en paralelo y ajustar de forma correspondiente (ver punto 5.3).
- Tener en cuenta las instrucciones en el punto 6.3.
- Realizar el corte como se representa en la figura 10.

6.7 Corte de ingletes (fig. 13)

- Ajustar el ángulo en la zapata de forma correspondiente (ver punto 5.4)
- Tener en cuenta las instrucciones en el punto 6.3.
- Realizar el corte como se representa en la figura 13.

6.8 Luz LED (fig. 1A/pos. 4)

La luz LED (4) permite iluminar adicionalmente el punto de corte. La luz LED (4) se ilumina de forma automática en cuanto se pulsa el interruptor ON/OFF (3).

6.9 Cómo cargar la batería de litio (no incluido en el volumen de entrega)

Las instrucciones correspondientes se encuentran en el manual de instrucciones original del cargador.

6.10 Indicador de capacidad de batería (fig. 16/pos. 20)

Pulsar el interruptor para acceder al indicador de capacidad de la batería (21). El indicador de capacidad de batería (20) le indica el estado de carga de la batería sirviéndose de 3 LEDs.

Los 3 LED están iluminados:

La batería está completamente cargada.

2 o 1 LED están iluminados

La batería dispone de suficiente carga residual.

1 LED parpadea:

La batería está vacía, es preciso cargarla.

Si todos los LED parpadean:

La temperatura de la batería es demasiado baja. Quitar la batería del aparato y dejarla durante un día a temperatura ambiente. Si vuelve a aparecer el fallo, la batería se ha descargado completamente y está defectuosa. Quitar la batería del aparato. Está prohibido emplear o cargar una batería defectuosa.

7. Mantenimiento y limpieza

Peligro!

Desenchufar la batería antes de realizar trabajos de limpieza.

7.1 Limpieza

- Reducir al máximo posible la suciedad y el polvo en los dispositivos de seguridad, las rendijas de ventilación y la carcasa del motor. Frotar el aparato con un paño limpio o soplarlo con aire comprimido manteniendo la presión baja.
- Se recomienda limpiar el aparato tras cada uso.
- Limpiar el aparato con regularidad con un paño húmedo y un poco de jabón blando. No utilizar productos de limpieza o disolventes ya que se podrían deteriorar las piezas de plástico del aparato. Es preciso tener en cuenta que no entre agua en el interior del aparato. Si entra agua en el aparato eléctrico existirá mayor riesgo de una descarga eléctrica.

7.2 Mantenimiento

No hay que realizar el mantenimiento a más piezas en el interior del aparato.

8. Eliminación y reciclaje

El aparato está protegido por un embalaje para evitar daños producidos por el transporte. Este embalaje es materia prima y, por eso, se puede volver a utilizar o llevar a un punto de reciclaje. El aparato y sus accesorios están compuestos de diversos materiales, como, p. ej., metal y plástico. Los aparatos defectuosos no deben tirarse a la basura doméstica. Para su eliminación adecuada, el aparato debe entregarse a una entidad recolectora prevista para ello. En caso de no conocer ninguna, será preciso informarse en el organismo responsable del municipio.

9. Almacenamiento

Guardar el aparato y sus accesorios en un lugar oscuro, seco, protegido de las heladas e inaccesible para los niños. La temperatura de almacenamiento óptima se encuentra entre los 50°F y 104°F (10°C y 40°C). Guardar la herramienta eléctrica en su embalaje original.

Sólo está permitido copiar la documentación y documentos anexos del producto, o extractos de los mismos, con autorización expresa de Einhell Germany AG.

Nos reservamos el derecho a realizar modificaciones técnicas.



www.Einhell.com

EH 12/2023 (01)