



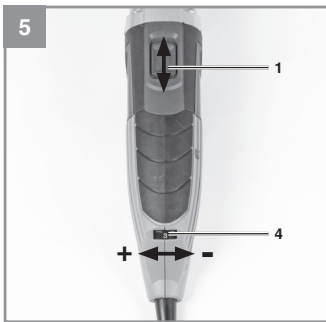
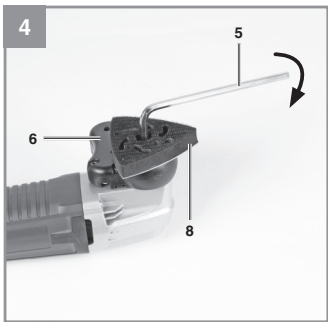
BMG 220 E

GB Original operating instructions
Multifunction tool

7

Art.-Nr.: 44.650.51

I.-Nr.: 11013



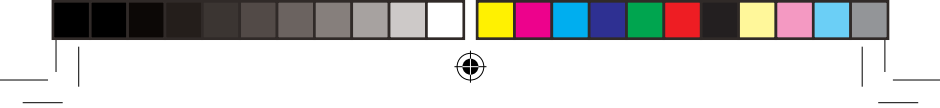


GB

Table of contents

- 1. Safety regulations.....6
- 2. Layout and items supplied.....6
- 3. Proper use.....6
- 4. Technical data7
- 5. Before starting the equipment.....7
- 6. Starting up.....8
- 7. Replacing the power cable8
- 8. Cleaning, maintenance and ordering of spare parts9
- 9. Disposal and recycling9
- 10. Storage.....9
- Warranty certificate.....10





GB



Caution - Read the operating instructions to reduce the risk of injury.



Wear ear-muffs. The impact of noise can cause damage to hearing.



Wear a breathing mask. Dust which is injurious to health can be generated when working on wood and other materials. Never use the device to work on any materials containing asbestos!



- 5 -



⚠ Important!

When using the equipment, a few safety precautions must be observed to avoid injuries and damage. Please read the complete operating instructions and safety regulations with due care. Keep this manual in a safe place, so that the information is available at all times. If you give the equipment to any other person, hand over these operating instructions and safety regulations as well. We cannot accept any liability for damage or accidents which arise due to a failure to follow these instructions and the safety instructions.

1. Safety regulations

Please refer to the booklet included in delivery for the safety instructions.

⚠ Warning!

Read all safety regulations and all instructions.

Failure to follow the warnings and instructions may result in electric shock, fire and/ or serious injury.

Save all warnings and instructions for future reference.

2. Layout and items supplied**2.1 Layout (Fig. 1)**

1. On/Off switch
2. Tool chuck
3. Machine head
4. Speed controller
5. Allen key for changing tools
6. Dust extraction device
7. Scraper
8. Triangular sanding/grinding plate
9. Connection for dust extractor
10. HSS saw blade

2.2 Items supplied

- Open the packaging and take out the equipment with care.
- Remove the packaging material and any packaging and/or transportation braces (if available).
- Check to see if all items are supplied.
- Inspect the equipment and accessories for transport damage.
- If possible, please keep the packaging until the end of the guarantee period.

Important!

The equipment and packaging material are not toys. Do not let children play with plastic bags, foils or small parts. There is a danger of swallowing or suffocating!

- Original operating instructions
- Safety information
- Multifunction tool
- Triangular sanding/grinding plate
- Scraper
- Allen key (2x)
- Abrasive paper
- HSS saw blade
- Dust extraction device


3. Proper use

The equipment is designed for the sanding/grinding of wood, iron, plastic and similar materials using the appropriate sanding/grinding paper. Furthermore, the equipment is intended for sawing wood, plastic and similar materials, as well as scraping off glued carpets, filling compound residues, old paint and similar applications.

The equipment is to be used only for its prescribed purpose. Any other use is deemed to be a case of misuse. The user / operator and not the manufacturer will be liable for any damage or injuries of any kind caused as a result of this.

Please note that our equipment has not been designed for use in commercial, trade or industrial applications. Our warranty will be voided if the machine is used in commercial, trade or industrial businesses or for equivalent purposes.

4. Technical data

Mains voltage: 230 V ~ 50 Hz
 Power input: 220 W
 Idling speed: 15000-22000 rpm
 Sanding/grinding area: 90 x 90 x 90 mm
 Oscillation angle: 3°
 Protection class: II / 
 Weight: 1.4 kg

Sound and vibration

Sound and vibration values were measured in accordance with EN 60745.

L_{pA} sound pressure level 85 dB(A)
 K_{pA} uncertainty 3 dB
 L_{WA} sound power level 96 dB(A)
 K_{WA} uncertainty 3 dB

Wear ear-muffs.

The impact of noise can cause damage to hearing.

Total vibration values (vector sum of three directions) determined in accordance with EN 60745.

Handle

Vibration emission value $a_h = 6.77 \text{ m/s}^2$
 K uncertainty = 1.5 m/s^2

Warning!

The specified vibration value was established in accordance with a standardized testing method. It may change according to how the electric equipment is used and may exceed the specified value in exceptional circumstances.

The specified vibration value can be used to compare the equipment with other electric power tools.

The specified vibration value can be used for initial assessment of a harmful effect.

Keep the noise emissions and vibrations to a minimum.

- Only use appliances which are in perfect working order.
- Service and clean the appliance regularly.
- Adapt your working style to suit the appliance.
- Do not overload the appliance.
- Have the appliance serviced whenever necessary.
- Switch the appliance off when it is not in use.
- Wear protective gloves.

Residual risks

Even if you use this electric power tool in accordance with instructions, certain residual risks cannot be ruled out. The following hazards may arise in connection with the equipment's construction and layout:

1. Lung damage if no suitable protective dust mask is used.
2. Damage to hearing if no suitable ear protection is used.
3. Health damage caused by hand-arm vibrations if the equipment is used over a prolonged period or is not properly guided and maintained.

5. Before starting the equipment

- Before you connect the equipment to the mains supply make sure that the data on the rating plate are identical to the mains data.

5.1 Fitting the plug-in tools (Figures 1/2)

- To fit the plug-in tools safely you should hold the multifunction tool so that the ON/OFF switch (1) points down and the tool mounting (2) faces up.
- Place the plug-in tool on the tool mounting (2) so that the pins of the tool mounting (2) fit into the recesses in the plug-in tool.
- Secure the plug-in tool using the supplied screw (b) and tighten the screw securely with the Allen key (9).
- Make sure that the washer (a) is used for the screw (b) only in connection with the saw blade and the scraper (see Figure 3). In this case the corrugated face of the washer must be placed against the plug-in tool.

Check that the plug-in tool is secure.

5.2 Triangular sanding/grinding plate

Fit the triangular sanding/grinding plate to use the equipment as a delta sander/grinder.

5.2.1 Fastening the sanding/grinding paper

The Velcro fastener enables easy changing of sanding/grinding paper. Make sure that the vacuum extraction holes on the sanding/grinding paper and the sanding/grinding disk are aligned.

5.3 Fitting the dust extraction device for the sanding/grinding plate (Fig. 3/4)

The dust extraction device prevents the accumulation of dirt and high dust loads in the air, and it makes it easier to dispose of the dust.

- Place the equipment in a stable position as shown in 5.1.
- Mount the dust extraction device (6) on the tool mounting (2) as shown in Fig. 3.
- Fasten the dust extraction device (6) with the screws (a).
- Place the triangular sanding/grinding plate (8) on the dust extraction device (6) and the tool mounting (2) so that the pins of the tool mounting (2) fit into the recesses of the triangular sanding/grinding plate (8), then fasten as shown in Fig. 4.
- Connect your tool to an extraction unit or vacuum cleaner. This will provide excellent extraction of chips and dust from the workpiece.

The benefits are that you will protect both the equipment and your own health. Your work area will also be clean and safe.

6. Starting up

6.1 Switching on/off (Fig. 5)

Slide the switch (1) forwards to switch on the equipment.

6.2 Practical tips

- Switch on the equipment.
- Work away from the body.
- Never move your hands into the direct vicinity of the work area.
- Use only plug-in tools which are in good working order and undamaged.

6.2.1 Plug-in tools

Sawing: Sawing wood and plastic.

Notes on working practice: When sawing, watch out for foreign bodies in the workpiece and remove these if necessary. Plunge cutting is allowed only in soft materials such as wood or plasterboard.

Sanding/grinding: Surface sanding/grinding at edges, in corners or hard-to-reach areas. Depending on choice of sanding/grinding paper for the sanding/grinding of wood, paint, lacquer, etc.

Notes on working practice: This equipment offers particularly high performance for the sanding/grinding of hard-to-reach corners and edges. To sand/grind profiles and channels you can also work with just the tip or the edge of the sanding/grinding disk. Various sanding/grinding papers are available, specially designed for the different types of material you may be working on and the amount you wish to remove from the surface.

The amount removed will depend largely on the choice of sanding/grinding paper and pressure applied to the sanding/grinding disk.

Scraping: Scraping off old paint or adhesives.

Notes on working practice: Move the plug-in tool against the area you want to remove. Begin with a α at angle of incidence and little pressure. The surface (e.g. wood, plaster) may be damaged if too much pressure is used.

6.3 Speed control (Fig. 5)

You can select the speed by turning the speed controller (4).

Plus direction: Higher speed
Minus direction: Lower speed

7. Replacing the power cable

If the power cable for this equipment is damaged, it must be replaced by the manufacturer or its after-sales service or qualified electrician to avoid danger.

8. Cleaning, maintenance and ordering of spare parts

Always pull out the mains power plug before starting any cleaning work.

8.1 Cleaning

- Keep all safety devices, air vents and the motor housing free of dirt and dust as far as possible. Wipe the equipment with a clean cloth or blow it with compressed air at low pressure.
- We recommend that you clean the device immediately each time you have finished using it.
- Clean the equipment regularly with a moist cloth and some soft soap. Do not use cleaning agents or solvents; these could attack the plastic parts of the equipment. Ensure that no water can seep into the device. The ingress of water into an electric tool increases the risk of an electric shock.

8.2 Carbon brushes

In case of excessive sparking, have the carbon brushes checked only by a qualified electrician. Important! The carbon brushes should not be replaced by anyone but a qualified electrician.

8.3 Maintenance

There are no parts inside the equipment which require additional maintenance.

8.4 Ordering replacement parts:

Please quote the following data when ordering replacement parts:

- Type of machine
- Article number of the machine
- Identification number of the machine
- Replacement part number of the part required

For our latest prices and information please go to 1300 922 271.

9. Disposal and recycling

The unit is supplied in packaging to prevent its being damaged in transit. This packaging is raw material and can therefore be reused or can be returned to the raw material system.

The unit and its accessories are made of various types of material, such as metal and plastic. Defective components must be disposed of as special waste. Ask your dealer or your local council.

10. Storage

Store the equipment and accessories out of children's reach in a dark and dry place at above freezing temperature. The ideal storage temperature is between 5 and 30 °C. Store the electric tool in its original packaging.

GB

The guarantee provided in this Guarantee Certificate is given by Einhell Australia Pty Limited
ACN 134 632 858 of 6/166 Wellington Street, Collingwood, Victoria (Telephone number 1300 922 271)
(Einhell Express Guarantee).

GB GUARANTEE CERTIFICATE

Dear Customer,

All of our products undergo strict quality checks. In the unlikely event that your device develops a fault, please contact our service department at the address shown on this guarantee certificate. Of course, if you would prefer to call us then we are also happy to offer our assistance under the service number printed below. Please note the following terms under which claims under the Einhell Express Guarantee can be made:

1. The benefits conferred by the Einhell Express Guarantee are in addition to all rights and remedies which you may be entitled to under the Australian Consumer Law, and any other statutory rights you may have under other applicable laws. This Einhell Express Guarantee does not exclude, restrict or modify any such rights or remedies.

We do not charge you for the Einhell Express Guarantee.

2. Our goods come with guarantees that cannot be excluded under the Australian Consumer Law. You are entitled to a replacement or refund for a major failure and for compensation for any other reasonably foreseeable loss or damage. You are also entitled to have the goods repaired or replaced if the goods fail to be of acceptable quality and the failure does not amount to a major failure.

3. The Einhell Express Guarantee only covers problems caused by material or manufacturing defects, and our liability under the Einhell Express Guarantee is limited, at our discretion, to the rectification of these defects or replacement of the product. Please note that the product has not been designed for use in commercial, trade or industrial applications. Consequently, the Einhell Express Guarantee will not apply if the product is used in commercial, trade or industrial applications or for other equivalent activities.

4. The following are also excluded from the Einhell Express Guarantee: compensation for transport damage, damage caused by failure to comply with the installation/assembly instructions or damage caused by unprofessional installation, failure to comply with the operating instructions (e.g. connection to the wrong mains voltage or current type), misuse or inappropriate use (such as overloading of the product or use of non-approved tools or accessories), failure to comply with the maintenance and safety regulations, ingress of foreign bodies into the product (e.g. sand, stones or dust), effects of force or external influences (e.g. damage caused by the product being dropped) and normal wear resulting from proper operation of the product. The Einhell Express Guarantee will also not apply if any attempt is made to tamper with the product.

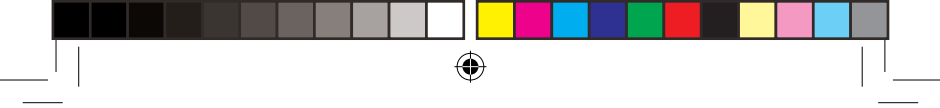
5. The Einhell Express Guarantee is valid for a period of 2 years starting from the purchase date of the product. Claims made under the Einhell Express Guarantee should be submitted before the end of this guarantee period and within two weeks of the defect being noticed. No claims under the Einhell Express Guarantee will be accepted if submitted after the end of this guarantee period. The original guarantee period remains applicable to the device even if repairs are carried out or parts are replaced. In such cases, the work performed or parts fitted will not result in an extension of the guarantee period for the Einhell Express Guarantee, and the Einhell Express Guarantee will not apply for the work performed or parts fitted. This also applies when an on-site service is used.

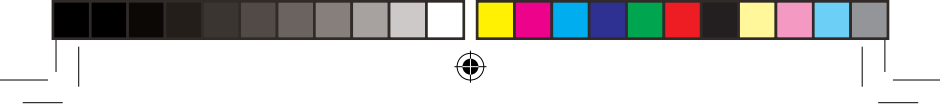
6. To make a claim under the Einhell Express Guarantee, please send the relevant product postage-free the address shown below and enclose either the original or a copy of your sales receipt or another date proof of purchase. It would help us if you could describe the nature of the problem in as much detail as possible. If the defect is covered by the Einhell Express Guarantee, your product will be repaired immediately and returned to you, or we will send you a new device (at our election).

Any costs incurred by you in making a claim under this Einhell Express Guarantee, unless specified otherwise in this guarantee certificate, must be borne by you.

Of course, we are also happy to offer a chargeable repair service for any defects which are not covered by the scope of the Einhell Express Guarantee or for products which are no longer covered by the Einhell Express Guarantee. To take advantage of this service, please send the product to our service address.

EINHELL AUSTRALIA PTY LTD
6/166 Wellington Street
Collingwood VIC 3066
Australia
Phone: 1300 922 271





EH 04/2013(01)

