

QUALCAST



Cordless 3.6v Grass & Shrub Trimmer Kit

Original Operating Instructions



INTERCHANGEABLE SHRUB TRIMMING AND LAWN EDGING BLADES
The perfect tool for light trimming of grass and shrubs



INCLUDES TELESCOPIC HANDLE ATTACHMENT
Allows grass trimming whilst in an upright position



MAXIMUM RUNNING TIME 60 MINUTES
Greater freedom in the garden



TOOL FREE BLADE CHANGE
Little fuss and time saving



1.3AH LITHIUM ION INTEGRATED BATTERY
Holds charge when not in use



AFTER SALES SUPPORT

UK / IRELAND HELPLINE NO 0151 6491500
REP. IRELAND HELPLINE NO 1890 946244
WEB SUPPORT www.einhell-uk.co.uk

MODEL NUMBER: HQ-CG 3.6
HOMEBASE ARTICLE NUMBER: 677522



Contents

- 03. Safety Guide
- 07. Product Diagrams
- 10. Technical Data
- 10. Assembly
- 14. Declaration of Conformity
- 15. Product Guarantee

Important!

Read and follow the operating instructions and safety information before using for the first time.

General safety regulations for electric tools

This equipment is not designed to be used by people (including children) with limited physical, sensory or mental capacities or those with no experience and/or knowledge unless they are supervised by a person who is responsible for their safety or they have received instructions from such a person in how to use the equipment safely. Children must always be supervised in order to ensure that they do not play with the equipment.

CAUTION: Read all safety regulations and instructions.

Any failures made in following the safety regulations and instructions may result in an electric shock, fire and/or serious injury.

Keep all safety regulations and instructions in a safe place for future use.

The term “electric tool” used in the safety regulations refers to electric tools operated from the mains power supply (with a power cable) and to battery operated electric tools (without a power cable).

1. Workplace safety

- **Keep your work area clean and well illuminated.** Untidy or unlit work areas can result in accidents.
- **Do not use this tool in a potentially explosive environment containing combustible liquids, gases or dust.** Electric tools generate sparks, which can in turn ignite dust or vapors.
- **Keep children and other persons away from the electric tool while it is being used.** Allowing yourself to get distracted can cause you to lose control of the tool.

2. Electrical safety

- **The tool’s connector plug must be able to fit into the socket outlet. Do not modify the plug in any way! Do not use adapter plugs in conjunction with**

electrically grounded tools. Unmodified plugs and matching socket outlets reduce the risk of an electric shock.

- **Avoid touching grounded surfaces, such as those of pipes/tubes, heaters, cookers and refrigerators.** There is an increased risk of getting an electric shock if you are electrically grounded.
- **Keep the tool away from rain and moisture/wet conditions.** Penetration of water into an electric tool increases the risk of an electric shock.
- **Do not use the cable to carry the tool, hang it up or pull the plug out of the socket. Keep the cable away from sources of heat, oil, sharp edges and moving tool parts.** Damaged or tangled cable increases the risk of an electric shock.
- **If you intend to use an electric tool outdoors, ensure that you only use extension cable that is approved for outdoor applications.** Using extension cable that is approved for outdoor applications reduces the risk of an electric shock.
- **If operation of the electric tool in a damp environment can not be avoided, use a earthleakage circuit-breaker.** The earth-leakage circuit-breaker reduces the risk of an electric shock.

3. Personal safety

- **Be alert, work conscientiously and exercise appropriate caution when using the electric tool. Do not use the tool if you are tired or are under the influence of drugs/medication or alcohol.** One moment of carelessness or lack of attention when using the electric tool can cause serious bodily injury!
- **Always wear personal protective equipment (PPE), including safety goggles.** Wearing personal protective equipment such as a dust mask, non-slip footwear, protective headgear and ear muffs (depending upon the type of electric

tool and the particular application) reduces the risk of sustaining injury.

- **Make sure that the tool cannot start up accidentally. Ensure that the electric tool is switched off before you connect the tool to the power supply and/or insert the battery, or pick up or carry the tool.** Physically touching the switch with your finger when carrying the tool or connecting the tool to the power supply switched on can lead to accidents.
- **Remove adjusting tools/wrench(es) prior to switching on the power tool.** A tool or wrench that is positioned inside a rotating power tool part can cause injury.
- **Avoid abnormal working postures. Make sure you stand squarely and keep your balance at all times.** This way, you will be able to have better control over the tool in unexpected situations.
- **Wear suitable clothes. Never wear loose fitting clothes or jewelry. Keep hair, clothes and gloves away from moving parts.** Loose clothing, dangling jewelry and long hair can be caught by moving parts.
- **If dust extraction and dust collection devices can be mounted, ensure that these are connected and are properly used.** The use of a dust extraction system can reduce the danger posed by dust.

4. Using the treatment of electric tools

- **Do not overload your tool. Only use suitable electric tools to perform your work.** Using the right electric tool allows you to work better and safer within the tool's quoted capacity range.
- **Do not use an electric tool whose switch is defective.** An electric tool that no longer can be switched on or off is dangerous and must be repaired.
- **Pull the plug out of the socket and/or remove the battery before making any adjustments to the tool, changing accessories or put the tool down.** This precaution eliminates the possibility of inadvertently starting the tool.

- **When not in use, store electric tools out of the reach of children. Do not allow those persons to use this tool who are unfamiliar with it or who have not read these instructions.** Electric tools are dangerous when they are used by inexperienced persons.
- **Take good care of your tool. Check that moving parts properly function and do not jam, that parts are not broken off or damaged in any way and that the tool can be used to its full capacity. Have damaged parts repaired prior to using the tool.** The cause of many accidents can be traced back to poorly maintained electric tools.
- **Keep your blades sharp and clean.** Properly maintained blades with sharp edges jam less frequently and are easier to use.
- **Make sure to use electric tools, accessories, attachments, etc. in accordance with these instructions. Take the conditions in your work area and the job in hand into account.** Using electric tools for applications other than those intended can lead to dangerous situations.

5. Service

- **Have your tool repaired only by authorized specialists using original replacement parts.** This will ensure that your tool remains safe to use.

6. Careful handling and use of Cordless equipment

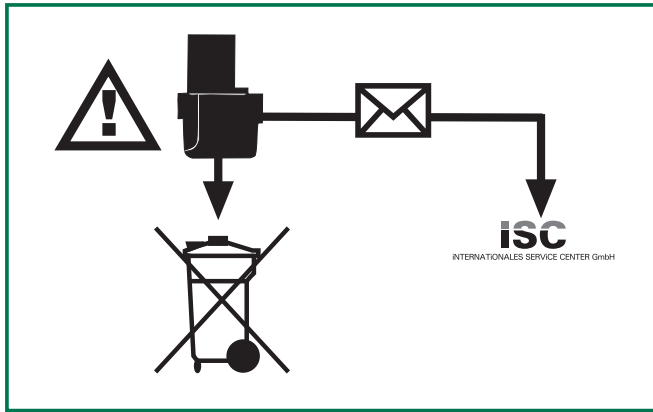
- **Ensure that the equipment is switched off before you insert the battery.** Inserting a battery into an electric tool that is switched on can cause accidents.
- **Only charge the batteries in chargers that are recommended by the manufacturer.** A charger that is designed for a certain type of batteries may pose a fire risk if it is used with other types of batteries.

- **Use only the correct batteries in the electric tools.** The use of other batteries may result in injuries and a fire risk.
- **Keep unused batteries away from paper clips, coins, keys, nails, screws and other metallic objects that could cause a short circuit between the contacts.** A short circuit between the battery contacts may cause burns or a fire.
- **In case of incorrect use, fluid may escape from the battery. Avoid contact with it. If you touch it by mistake, rinse the affected area with water. If you get the fluid in your eyes, also seek medical advice.** Leaking battery fluid can cause skin irritation or burns.

Additional safety instructions

- The battery pack supplied with your cordless tool is not charged. The battery pack has to be charged before you use the tool for the first time.
- The battery pack does not reach its maximum capacitance until it has been charged and discharged approximately five times.
- Battery packs lose their charge even when they are not being used. Regular charging is therefore recommended.
- Please check the data marked on the rating plate of the battery charger. Be sure to connect the battery charger to a power supply with the voltage marked on the rating plate. Never connect it to a different mains voltage.
- Keep the battery charger and the cordless tool out of children's reach.
- Wear suitable work clothes. Wear safety goggles.
- Never open the battery pack. Avoid contact with a leaking battery pack. In case of accidental contact, wash the affected area of skin with soap and water. If battery acids gets in your eye, rinse out the eye with clear water for at least 10 minutes and seek a doctor's advice immediately. Neutralize other affected areas with a mild acid such as lemon juice or vinegar.
- Protect the battery charger and its cable from damage and sharp edges. Have damaged cables repaired without delay by a qualified electrician.
- Make sure that the contacts of the battery pack do not come into contact with other metallic objects such as nails or screws. There is a risk of short-circuiting!
- Use only battery chargers that are intended for the battery pack in question.
- Do not use damaged battery chargers.
- Leave repairs strictly to the appointed service center or authorized dealers.
- Do not use the supplied battery charger to charge other cordless tools.
- Never allow the battery pack to become fully discharged. This will cause it to develop a defect.
- Timely recharging of the battery pack will help it serve you well for a long time. You must recharge the battery pack when you notice that the power of the cordless tool drops.
- In heavy use the battery pack will become warm. Allow the battery pack to cool to room temperature before commencing with the charging.
- Protect your cordless tool and the battery charger from moisture and rain.
- Do not use the cordless tool or the battery charger near vapors and inflammable liquids.
- Do not throw battery packs into an open fire. There is a risk of explosion!
- Use the battery charger only in dry conditions and an ambient temperature of 10-40°C.
- Do not keep the battery charger in places where the temperature is liable to reach 50°C. In particular, do not leave the battery charger in a car that is parked in the sunshine.
- Do not ignite the battery pack or expose it to fire.

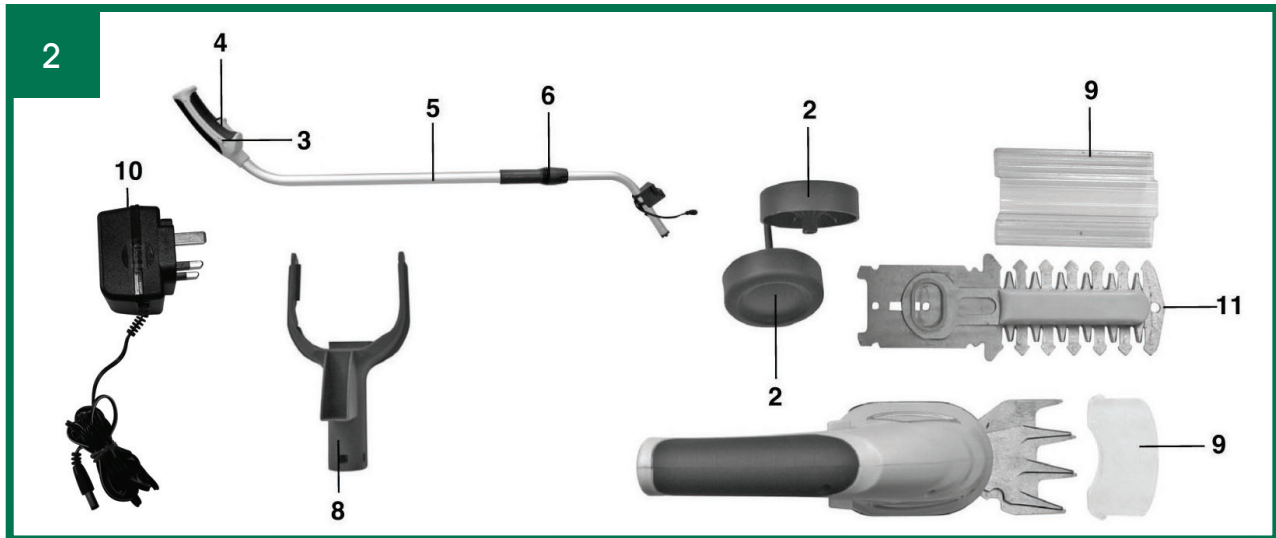
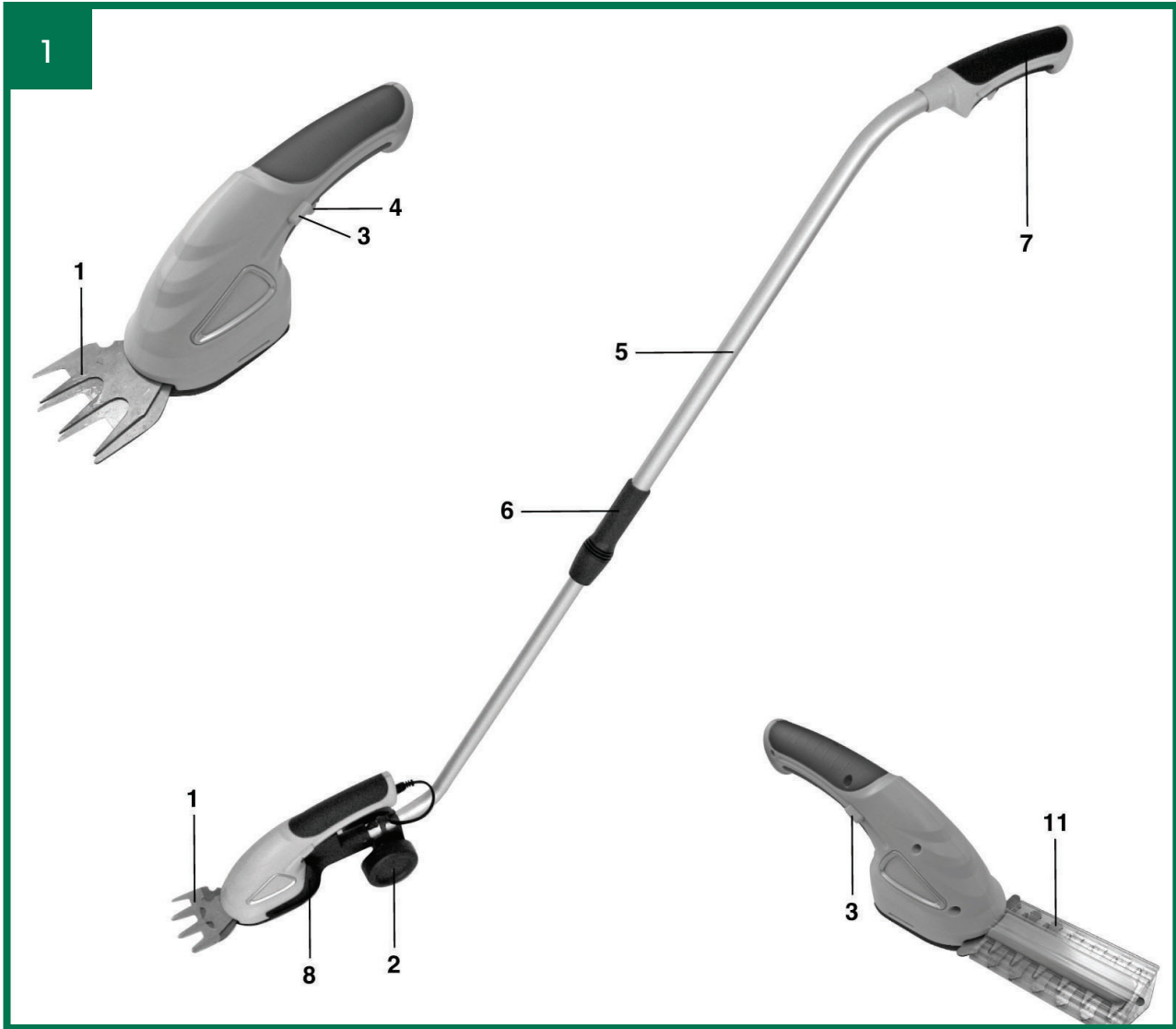
Do not lose these safety instructions.

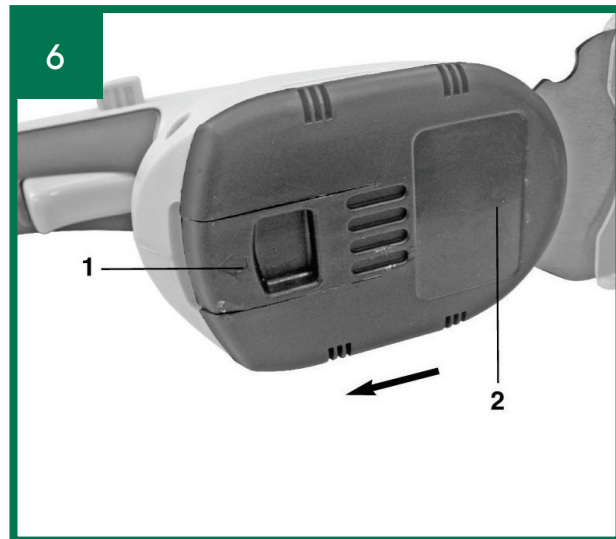
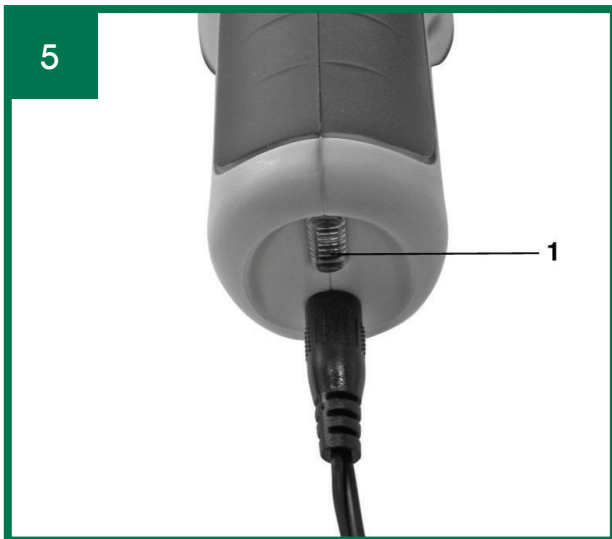
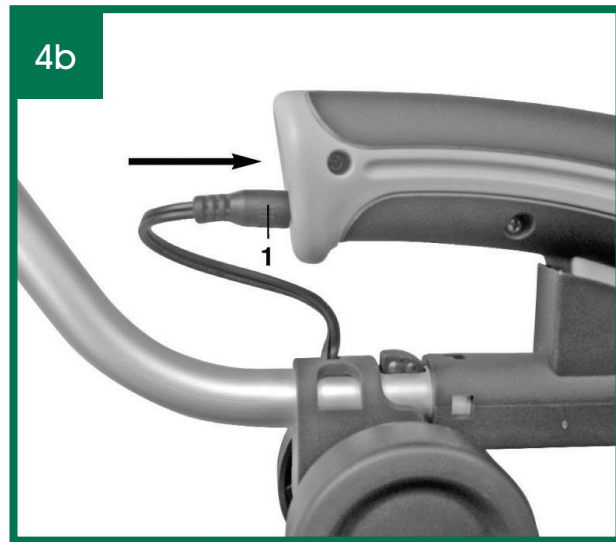
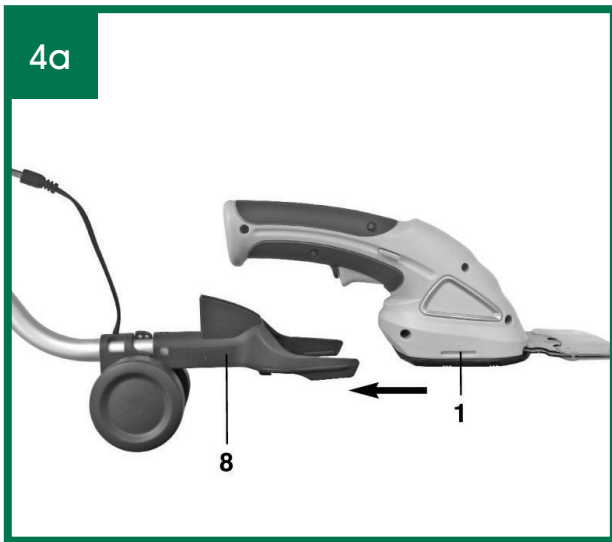
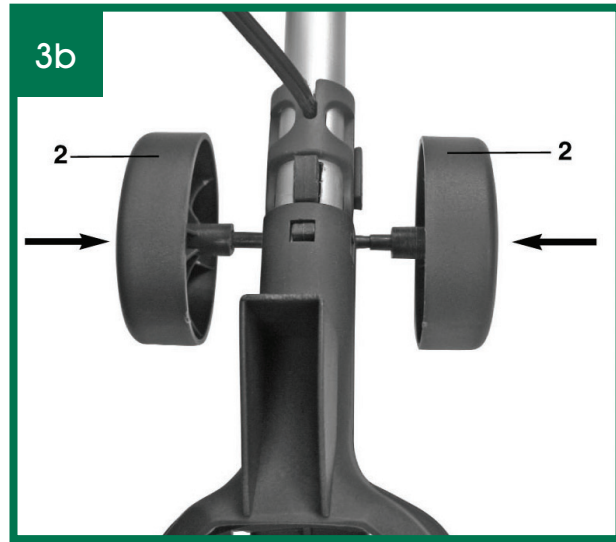
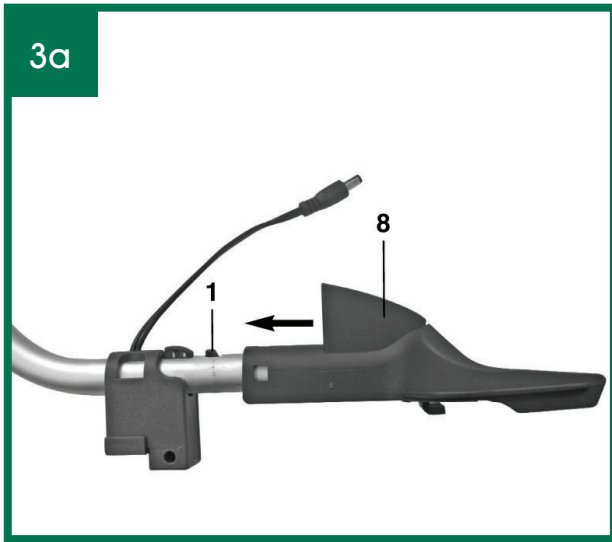


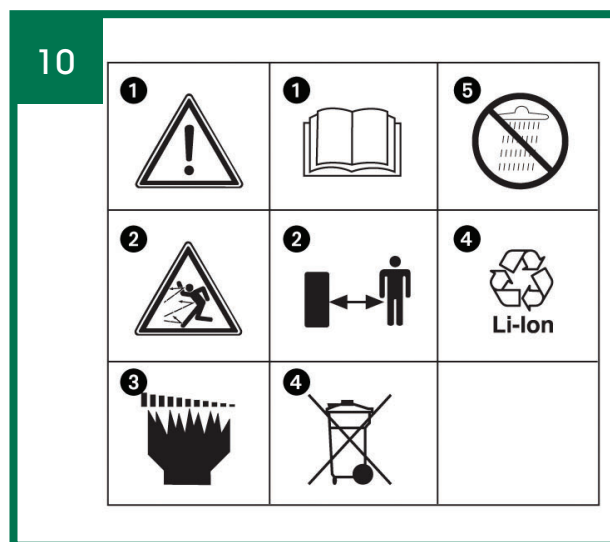
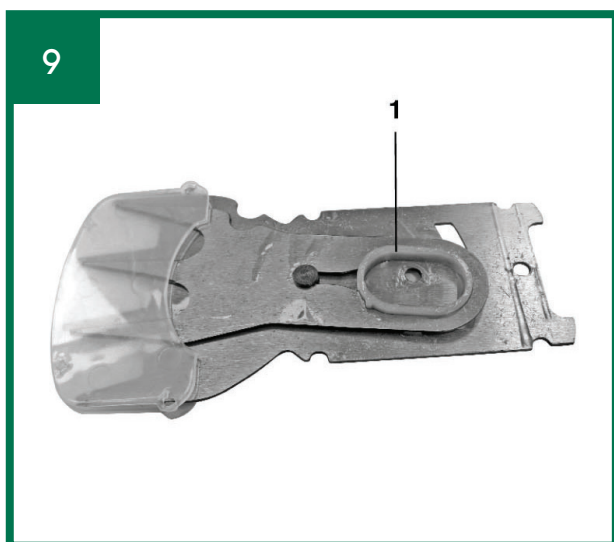
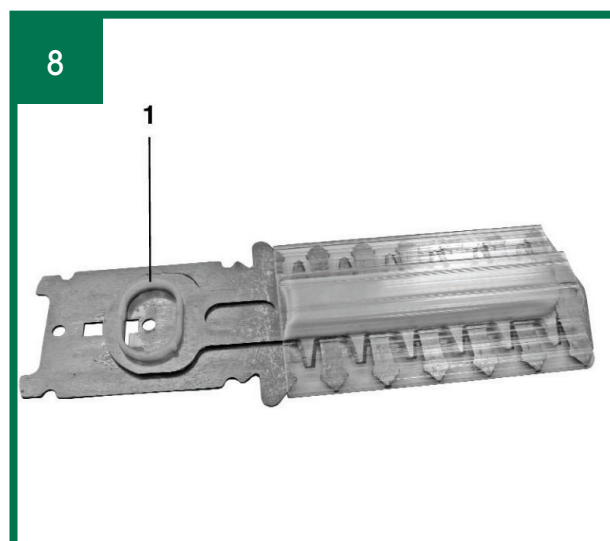
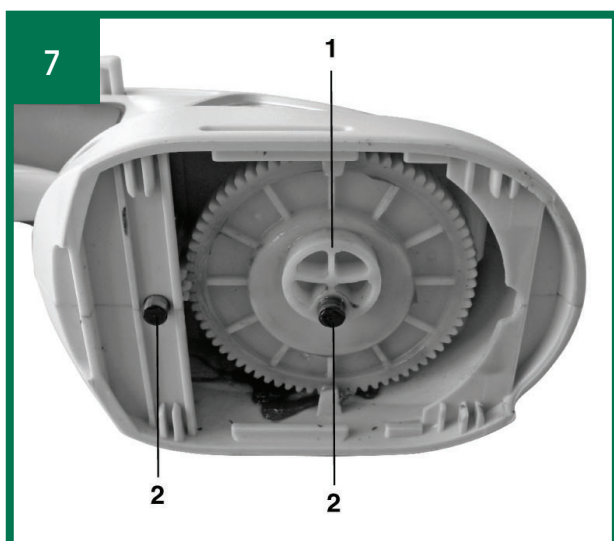
Rechargeable batteries and cordless electric machines and tools contain materials that are potentially harmful to the environment. Never place any cordless electric machines or tools in your household refuse. When cordless electric machines or tools become defective or worn, remove the rechargeable batteries and call your local council for your closest waste disposal facility.

Safety instructions for grass trimmer

- Before you begin your work, examine the material you want to cut. Remove any foreign bodies. Keep a continuous watch out for foreign bodies while you are working. If you come across any foreign bodies while cutting, turn off the device (release the ON button) and remove the items in question.
- Keep the device at a suitable distance from your body while working. Only switch on the device when all parts of the body are well out of the way.
- Make sure that no people or animals ever come within the working or swiveling range of the device.
- Only use the device in broad daylight or make sure that you provide adequate artificial light.
- Important! The cutting tools continue running on after the device has been switched off.
- When the device is not in use, make sure that it is stored in such a way that there is no risk of hands coming into contact with the cutting blades.
- If the cutting blades get jammed while cutting, turn off the device (release the ON button) and remove the object in question (thick branch, foreign body) with a suitable blunt aid. Never remove any such objects with your fingers as the pre-tensioned blade can cause serious injuries through cutting.
- Keep the air vents clean.
- Keep the charging cable away from the blades. Never use the device with the charging cable plugged in.
- We recommend that you use a socket with a residual current device with maximum 30mA tripping current for the charger.
- Never attempt to remove the cuttings with the motor running or to hold material you wish to cut. Always switch off the device before attempting to remove any jammed cuttings.
- Make sure you keep all parts of your body away from the blade. Never attempt to remove the cuttings with the blade running or to hold the material you wish to cut. Always switch off the equipment before attempting to remove any jammed cuttings. A single moment of carelessness when using the hedge trimmer can result in serious injuries.
- Carry the grass trimmer by its handle with the blades at a standstill. Always fit the protective cover when transporting the grass trimmer or putting it into storage. Careful handling of the equipment reduces the likelihood of injury by the blade.
- Keep the cable out of the cutting zone.
- Hold the equipment correctly, for example with both hands if the equipment is fitted with two handles.







Explanation of the warning signs on the machine (Figure 10)

1. Important! Read the operating instructions and follow the warnings and safety instructions.
2. Keep all other persons away from the danger zone.
3. Caution! The cutter blades continue to run after the motor is switched off.
Wait for the blades to come to a standstill.
Risk of injury!
4. Dispose of batteries correctly!
5. Protect the tool from the damp and never expose it to rain.

2. Layout (Fig. 1/2)

1. Grass cutter blade
2. Wheels
3. Safety lock-off
4. ON button
5. Telescopic long handle
6. Clamp coupling for telescopic long handle
7. Handle grip
8. Mount
9. Blade guard
10. Battery charger
11. Shrub cutter blade

3. Proper use

The equipment is designed for cutting the edges of lawns and small areas of grass in private and hobby gardens.

Tools for private and hobby gardens are not suitable for use in public facilities, parks and sport centers, along roadways, on farms or in the forestry sector. For the tool to be used properly it is imperative to follow the instructions set out in the manufacturer's directions for use.

Important! It is prohibited to use the tool to chop material for composting because of the potential danger to persons and property.

The machine is to be used only for its prescribed purpose. Any other use is deemed to be a case of misuse. The user / operator and not the manufacturer will be liable for any damage or injuries of any kind caused as a result of this.

Please note that our equipment has not been designed for use in commercial, trade or industrial applications. Our warranty will be voided if the machine is used in commercial, trade or industrial businesses or for equivalent purposes.

4. Technical data

Speed n_0 :	950 rpm
Cutting width of the grass cutter:	70 mm
Cutting width of the shrub cutters:	100 mm
Cutting thickness of the shrub cutters:	8 mm
Running time max.:	60 min
Battery pack:	Li-Ion / 3,6 V d. c. / 1.3 Ah
Charging time:	3-5 h
Protection class:	III
L_{pA} sound pressure level:	72.7 dB
L_{WA} sound power level:	92.9 dB
Uncertainty sound level:	2.06 dB
Vibration a_{hV} grass cutters:	$\leq 2.5m/s^2$
Vibration a_{hV} shrub cutters:	$5.5m/s^2$
Uncertainty vibration level:	$1.5m/s^2$
Weight:	1.4 kg

Battery charger

Mains voltage	230 V ~ 50 Hz
---------------	---------------

Output

Rated voltage	6 V DC
Rated current:	300 mA

Sound and vibration were measured in accordance with EN ISO 3744.

5. Before starting

5.1 Charging the battery pack (Figure 1, 3)

- Connect the charger to the charging station (Figure 5).
- Check that your mains voltage is the same as that marked on the rating plate of the battery charger. Plug the battery charger in a socket outlet. The red LED (Figure 5 / Item 1) comes on to indicate that charging voltage is available.
- The battery pack is being charged. An empty battery pack requires a maximum charging period of 3 to 5 hours. The temperature of the battery pack may rise

slightly during the charging operation.
This is normal.

- As soon as battery pack is fully charged, the red LED (Fig. 5/Item 1) extinguishes.

If the rechargeable battery fails to charge, check whether there is voltage at the socket outlet.

Timely recharging of the battery pack will help it serve you well for a long time. Recharging is always necessary when you notice a drop in the tool's performance.

Never allow the battery pack to become fully discharged. This will cause it to develop a defect.

5.2 Fitting the long handle

Using the telescopic long handle (Fig. 1/Item 5) you can push the cordless trimmer on wheels over the lawn.

To fit the long handle, push the mount (Fig. 3a/Item 8) onto the long handle until the lock (Fig. 3a/Item 1) engages in one of the recesses on the mount. The equipment is provided with one recess at the top for standard cutting and two recesses on the left and right for cutting edges. Now pass the wheels (Fig. 3b/Item 2) through the axle mount and push together.

Undo the clamp coupling (Fig. 1/Item 6), adjust the telescopic handle to the required length and then retighten the clamp coupling again. Now push the trimmer unit in the direction indicated by the arrow into the mount (Fig. 4a/Item 8) as shown in Figure 4a. Ensure that the mount locks into the recesses correctly. Then connect the power plug (Fig. 4b/Item 1) to the equipment as shown in Figure 4b. To disassemble, proceed in reverse order.

Important!

It is prohibited to remove or bridge any of the switching elements installed on the tool by the manufacturer (e.g. by securing a button to the handle) as this would prevent the tool from switching off automatically and result in high risk of injury. Under no

circumstances are you to use the shrub cutter with the telescopic long handle fitted.

6. Operation

The area to be cut must first be cleared of stones and other solid objects. The safety lock-off (Fig. 1/Item 3) prevents the tool being started unintentionally. Activate the safety lock-off (Figure 1 / Item 3) by pushing it forward and pressing the ON/OFF switch (Figure 1 Item 4) at the same time. To switch off the tool, let go of the ON/OFF switch (Figure 1 / Item 4).

6.1 Cutting grass

Allow the grass cutter to glide above the ground. The best results are achieved when the lawn is dry. **When you notice a drop in cutting performance, recharge the tool immediately so that the battery does not become fully discharged.**

6.2 Trimming hedges

The tool can be used to trim small hedges and shrubs.

Hold the tool slightly tilted in relation to the hedge you want to cut. First cut the sides from the bottom up, then cut the top.

Watch out for foreign objects in or on the hedge which could damage the blades.

When is the best time to trim hedges?

- As a general rule, hedges which lose their leaves in the autumn should be trimmed in June and October.
- Hedges which do not lose their leaves should be cut in April and August.

6.3. Changing the blades

Important. Risk of injury!

Always fit the protective cover to the blades before changing the blades on the unit.

To remove the blades, raise the lug (Fig. 6/Item 1) and push off the cover (Fig. 6/Item 2) in direction of the arrow. Once you have removed the blade you will be able to see the toothed wheels of the gear unit (Fig. 7). Make sure that no dirt gets into the gear unit when you change the blade. To assemble, proceed in reverse order.

When you fit the shrub cutter blade

Ensure the protective covers are fitted to the blades before changing the blades on the unit.

Check the position of the pin for the eccentric connector (Fig. 7/Item 1). Take the shrub cutter blade and slide the eccentric mount (Fig. 8/Item 1) into position so that the pin for the eccentric connector and the eccentric mount fit together precisely when assembled. Slot the shrub cutter blade onto the guide pins (Fig. 7/Item 2).

When you fit the grass cutter blade

Ensure the protective covers are fitted to the blades before changing the blades on the unit. Check the position of the pin for the eccentric connector (Fig. 7/Item 1) again. Shift the eccentric mount (Fig. 9/Item 1) on the grass cutter blade to the left or the right to find the position at which the pin for the eccentric connector (Fig. 7/Item 1) and the eccentric mount (Fig. 9/Item 1) match up.

7. Cleaning, maintenance and ordering of spare parts

7.1 Cleaning

- Keep all safety devices, air vents and the motor housing free of dirt and dust as far as possible. Wipe the equipment with a clean cloth or blow it with compressed air at low pressure.
- We recommend that you clean the device immediately each time you have finished using it.
- Clean the equipment regularly with a moist cloth and some soft soap. Do not use cleaning agents or solvents; these could attack the plastic parts of the equipment. Ensure that no water can seep into the device.
- A few drops of oil (e.g. sewing machine oil) will improve the cutting performance of the blades, but never apply any grease to the blades. To ensure constant exact cutting it is also important to remove grass remnants and dirt from between the upper and lower blade.

Important!

Never clean the tool under running water - and particularly never with high pressure - because of the potential danger to persons and property. Keep your cordless grass trimmer in a dry and frost-proof place. Choose a place that children are unable to enter.

7.2 Maintenance

- To achieve good results you should keep the blades sharp at all times. In particular we recommend that you immediately level off any jags or ridges caused by stones or the like. The tool should be thoroughly cleaned both before and after use.
- There are no parts inside the equipment which require additional maintenance.

7.3 Ordering replacement parts:

Please quote the following data when ordering replacement parts:

- Type of machine (HQ-CG 3.6)
- Article number of the machine
34.104.39
- Identification number of the machine
11010
- Replacement part number of the part required

For our latest prices and information please go to www.einhell-uk.co.uk

Grass cutter blade: 341044001001

Shrub cutter blade: 341044001002

8. Disposal and recycling

The unit is supplied in packaging to prevent its being damaged in transit. This packaging is raw material and can therefore be reused or can be returned to the raw material system. The unit and its accessories are made of various types of material, such as metal and plastic. Defective components must be disposed of as special waste. Ask your dealer or your local council.

Disposal

For EU countries only



Never place any electric tools in your household refuse. To comply with European Directive 2002/96/EC concerning old electric and electronic equipment and its implementation in national laws, old electric tools have to be separated from other waste and disposed of in an environment-friendly fashion, e.g. by taking to a recycling depot.

Recycling alternative to the demand to return electrical devices:

As an alternative to returning the electrical device, the owner is obliged to cooperate in ensuring that the device is properly recycled if ownership is relinquished. This can also be done by handing over the used device to a returns center, which will dispose of it in accordance with national commercial and industrial waste management legislation. This does not apply to the accessories and auxiliary equipment without any electrical components which are included with the used device.



Declaration of Conformity

- | | |
|--|---|
| <p>DE erklärt folgende Konformität gemäß EU-Richtlinie und Normen für Artikel</p> <p>GB explains the following conformity according to EU directives and norms for the following product</p> <p>FR déclare la conformité suivante selon la directive CE et les normes concernant l'article</p> <p>IT dichiara la seguente conformità secondo la direttiva UE e le norme per l'articolo</p> <p>NL verklaart de volgende overeenstemming conform EU richtlijn en normen voor het product</p> <p>ES declara la siguiente conformidad a tenor de la directiva y normas de la UE para el artículo</p> <p>PT declara a seguinte conformidade, de acordo com a directiva CE e normas para o artigo</p> <p>DK attesterer følgende overensstemmelse i medfør af EU-direktiv samt standarder for artikel</p> <p>S förklarar följande överensstämmelse enl. EU-direktiv och standarder för artikeln</p> <p>FIN vakuuttaa, että tuote täyttää EU-direktiivin ja standardien vaatimukset</p> <p>EE tõendab toote vastavust EL direktiivile ja standarditele</p> <p>CZ vydává následující prohlášení o shodě podle směrnice EU a norem pro výrobek</p> <p>SK potvrdzuje sledečo skladnosť s smernico EU in standardi za izdelek</p> <p>SK vydáva nasledujúce prehlásenie o zhode podľa smernice EÚ a noriem pre výrobok</p> <p>H a cikkekhez az EU-irányvonal és Normák szerint a következő konformitást jelenti ki</p> | <p>PL deklaruje zgodność wymienionego poniżej artykułu z następującymi normami na podstawie dyrektywy WE.</p> <p>BG декларира съответното съответствие съгласно Директива на ЕС и норми за артикул</p> <p>LV paskaidro šādu atbilstību ES direktīvai un standartiem</p> <p>LT apibūdina šį atitikimą EU reikalavimams ir prekės normoms</p> <p>RO declară următoarea conformitate conform directivei UE și normelor pentru articolul</p> <p>GR δηλώνει την ακόλουθη συμμόρφωση σύμφωνα με την Οδηγία ΕΚ και τα πρότυπα για το προϊόν</p> <p>HR potvrđuje sljedeću usklađenost prema smjernicama EU i normama za artikl</p> <p>SI potrđuje sljedeću usklađenost prema smernicama EU i normama za artikl</p> <p>RS potvrđuje sledeću usklađenost prema smernicama EZ i normama za artikal</p> <p>RU следующим удостоверяется, что следующие продукты соответствуют директивам и нормам ЕС</p> <p>UKR проголошує про зазначену нижче відповідність виробу директивам та стандартам ЄС на виріб</p> <p>MK ja izjavuva slednata soobrznost согласно EУ-директивата и нормите за артикли</p> <p>TR Ürünü ile ilgili AB direktifleri ve normları gereğince aşağıda açıklanan uygunluğu belirtir</p> <p>IS erklærer følgende samsvar i henhold til EU-direktivet og standarder for artikkel</p> <p>IS Lýsir uppfyllingu EU-reglna og annarra staðla vöru</p> |
|--|---|

Cordless Grass Shear HQ-CG 3,6 + Charger NG-HQ-CG 3,6 (Qualcast)

- | | |
|---|---|
| <input type="checkbox"/> 2009/105/EC | <input checked="" type="checkbox"/> 2006/42/EC |
| <input type="checkbox"/> 2006/95/EC | <input type="checkbox"/> Annex IV |
| <input type="checkbox"/> 2006/28/EC | Notified Body: |
| <input type="checkbox"/> 2005/32/EC | Notified Body No.: |
| <input checked="" type="checkbox"/> 2004/108/EC | Reg. No.: |
| <input type="checkbox"/> 2004/22/EC | <input checked="" type="checkbox"/> 2000/14/EC_2005/88/EC |
| <input type="checkbox"/> 1999/5/EC | <input checked="" type="checkbox"/> Annex V |
| <input type="checkbox"/> 97/23/EC | <input type="checkbox"/> Annex VI |
| <input type="checkbox"/> 90/396/EC | Noise: measured L _{WA} = 81,7 dB (A); guaranteed L _{WA} = 84 dB (A) |
| <input type="checkbox"/> 89/686/EC_96/58/EC | P = kW; L/Ø = cm |
| | Notified Body: |
| | <input type="checkbox"/> 2004/26/EC |
| | Emission No.: |

Standard references: EN 60335-1; IEC 60335-2-94; En 60745-1; EN 60745-2-15; EN 62233; EN 55014-1; EN 55014-2; EN 61000-3-2; EN 61000-3-3; EN 61558-1; EN 61558-2-6

Landau/Isar, den 18.08.2010

Weichselgartner/General Manager

Gao/Product-Management

First CE: 08
Art.-No.: 34.104.39 I.-No.: 11010
Subject to change without notice

Archive-File/Record: 3410440-41-4155050-08
Documents registrar: Scheiff Alexander
Wiesenweg 22, D-94405 Landau/Isar

PRODUCT GUARANTEE

This product is guaranteed against manufacturing defects for a period of



Year

This product is guaranteed for twenty four months from the date of original purchase. Any defects that arises due to faulty materials or workmanship will either be replaced, refunded or repaired free of charge where possible during this period by the dealer from whom you purchased the unit.

The guarantee is subject to the following provisions:

- The guarantee does not cover accidental damage, misuse, cabinet parts, knobs or consumable items.
- The product must be correctly installed and operated in accordance with the instructions contained in this manual.
- It must be used solely for domestic purpose.
- The guarantee will be rendered invalided if the product is re-sold or has been damaged by inexpert repair.
- Specifications are subject to change without notice.
- The manufacture disclaims any liability for the incidental or consequential damages.
- The guarantee is in addition to, and does not diminish your statutory or legal rights.

Guarantor: Home Retail Group
AVEBURY MILTON KEYNES, MK9 2NW

For technical support and assistance or requests for spare parts and accessories please contact 0151 649 1500 between the following hours:
Mon - Thursday 8.45am - 5.00pm Friday 8.45am - 3.15pm

Helpline No. UK 0151 649 1500 / IRE 189 094 6244



QUALCAST

AFTER SALES SUPPORT

UK / IRELAND HELPLINE NO 0151 6491500

REP. IRELAND HELPLINE NO 1890 946244

WEB SUPPORT www.einhell-uk.co.uk

MODEL NUMBER: HQ-CG 3.6

HOMEBASE ARTICLE NUMBER: 677522