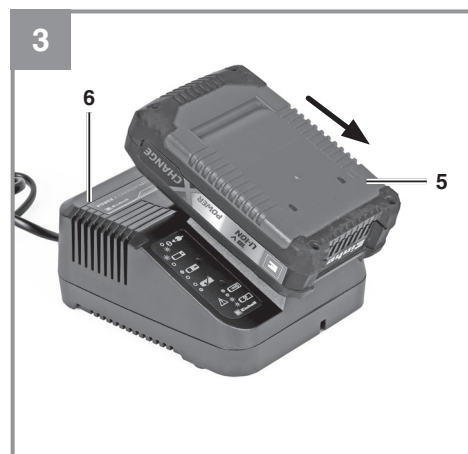
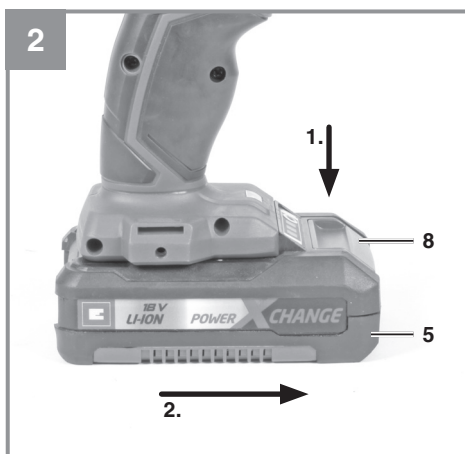
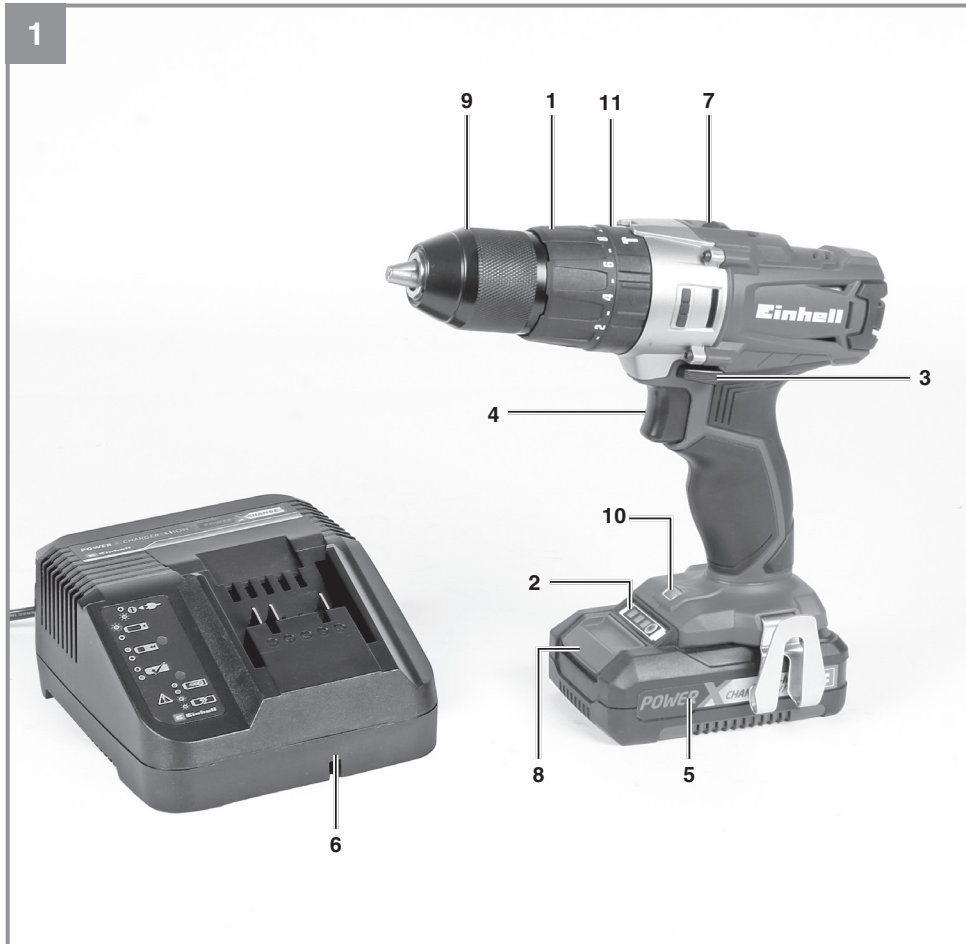
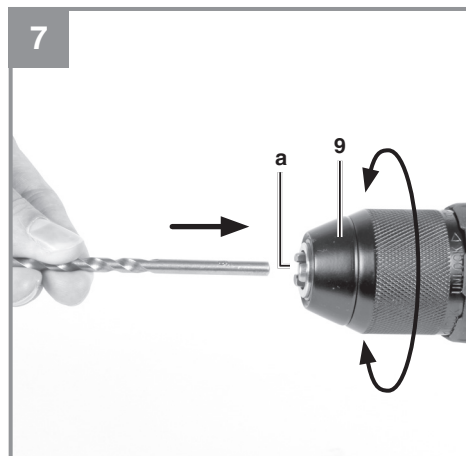
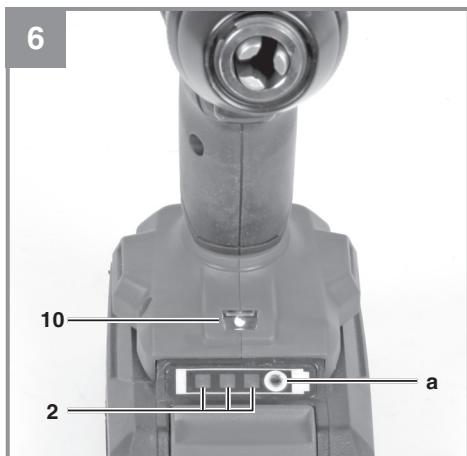
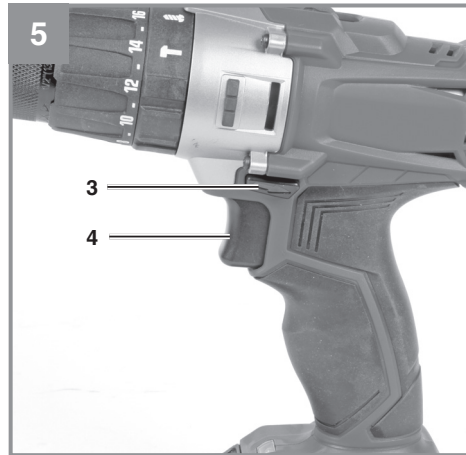
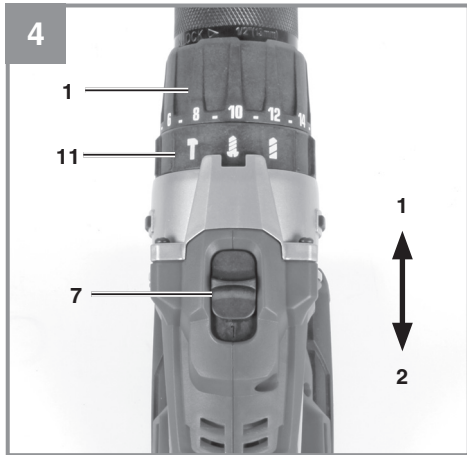


- GB** Original operating instructions  
Cordless Impact Drill
  
- E** Manual de instrucciones original  
Taladro atornillador a percusión  
inalámbrico
  
- F** Instructions d'origine  
Perceuse visseuse à percussion  
sans fil
  
- BR** Manual de instruções original  
Parafusadeira/furadeira de  
impacto a bateria







**Caution** - Read the operating instructions to reduce the risk of injury.



**Wear ear-muffs.** The impact of noise can cause damage to hearing.



**Wear a breathing mask.** Dust which is injurious to health can be generated when working on wood and other materials. Never use the device to work on any materials containing asbestos!



**Wear safety goggles.** Sparks generated during working or splinters, chips and dust emitted by the device can cause loss of sight.



Change the gear only when the drill is at a standstill. If you fail to observe this point, the gearing may be damaged.



Store the battery only in dry rooms with an ambient temperature of +10°C to +40°C. Place only charged batteries in storage (charged at least 40%).

**Danger!**

When using the equipment, a few safety precautions must be observed to avoid injuries and damage. Please read the complete operating instructions and safety regulations with due care. Keep this manual in a safe place, so that the information is available at all times. If you give the equipment to any other person, hand over these operating instructions and safety regulations as well. We cannot accept any liability for damage or accidents which arise due to a failure to follow these instructions and the safety instructions.

## 1. Safety regulations

**Danger!****Read all safety regulations and instructions.**

Any errors made in following the safety regulations and instructions may result in an electric shock, fire and/or serious injury.

**Keep all safety regulations and instructions in a safe place for future use.**

### General safety instructions for electric tools

The term "electric tool" used in the safety instructions refers to electric tools operated from the mains power supply (with a power cable) and to battery operated electric tools (without a power cable).

#### 1. Workplace safety

- a) **Keep your work area clean and well illuminated.** Untidy or unlit work areas can result in accidents.
- b) **Do not operate the electric tool in an environment where there is a risk of explosions and where there are inflammable liquids, gases or dust.** Electric tools produce sparks which could set the dust or vapours alight.
- c) **Keep the electric tool out of the reach of children and other persons.** If there is a distraction, you may lose control of the appliance.

#### 2. Electrical safety

- a) **The plug from this electric tool must fit into the socket. The plug should never be altered in any way. Never use adapter plugs together with earthed electric tools.** Unaltered plugs and correct sockets reduce the risk of an electric shock.

- b) **Avoid bodily contact with earthed surfaces such as pipes, heating, ovens and fridges.** The risk of electric shock is increased if your body is earthed.
- c) **Keep the tool out of water and away from moisture.** The ingress of water into an electric tool increases the risk of an electric shock.
- d) **Do not use the power cable to carry the electric tool, to hang it up or to pull it out of the socket. Keep the cable away from heat, oil, sharp edges and moving parts of the appliance.** Damaged or entangled cables increase the risk of an electric shock.
- e) **If you are working outdoors with an electric tool, only use extension cables which are designed specifically for this purpose.** Using specially designed outdoor extension cables, the risk of electric shock is reduced.
- f) **If operation of the electric tool in a damp environment can not be avoided, use a earth-leakage circuit-breaker.** The earth-leakage circuit-breaker reduces the risk of an electric shock.

#### 3. Safety of persons

- a) **Be careful, watch what you are doing and use an electric tool sensibly. Do not use the tool if you are tired or under the influence of drugs, alcohol or medication.** A moment of distraction when using the electric tool can result in serious injuries.
- b) **Wear personal protection equipment and always wear safety goggles.** Wearing personal protection (such as dust masks, non-slip safety shoes, safety helmet or ear protection, depending upon the type and use of the electric tool) reduces the risk of injury.
- c) **Make sure that the appliance cannot start up accidentally. Ensure that the electric tool is switched off before you connect it to the power supply and/or insert the battery, or pick up or carry the tool.** If your finger is on the switch whilst carrying the electric tool or if you connect the appliance to the mains when it is switched on, this can lead to accidents.
- d) **Remove keys and wrenches before switching on the electric tool.** A tool or key which comes into contact with rotating parts of the appliance can lead to injuries.
- e) **Avoid abnormal working postures. Make sure you stand squarely and keep your balance at all times.** In this way, you can control the electric tool better in unexpected

circumstances.

- f) **Wear suitable work clothes. Do not wear loose clothing or jewellery. Keep hair, clothes and gloves away from moving parts.** Loose clothing, jewellery or long hair can get trapped in moving parts.
- g) **If vacuuming devices and draining devices can be fitted, make sure that these are correctly attached and correctly used.** The use of a dust extraction system can reduce the danger posed by dust.
- h) **Do not allow yourself to be lulled into a false sense of security and do not ignore the safety regulations covering electric power tools, even if you are familiar with the power tool after having used it many times.** Carelessness can lead to serious injuries in just a fraction of a second.

#### 4. Usage and treatment of the electric tool

- a) **Do not overload the appliance. Use the correct tool for your work.** You will be able to work better and more safely within the given performance boundaries.
- b) **Do not use an electric tool with a defective switch.** An electric tool that cannot be switched on or off is dangerous and must be repaired.
- c) **Pull the plug out of the socket and/or remove the battery before making any adjustments to the appliance, changing accessories or put the appliance down.** This safety measure prevents starting the electric tool unintentionally.
- d) **Keep unused electric tools out of the reach of children. Do not allow people who are not familiar with the appliance or who have not read these instructions to use the appliance.** Electric tools are dangerous if they are used by inexperienced people.
- e) **Clean your electric tool carefully. Check whether moving parts are functioning properly and not jamming, whether parts are broken or damaged enough that the functioning of this electric tool is affected. Damaged parts must be repaired before using the appliance.** Many accidents are caused by badly maintained electric tools.
- f) **Keep your cutting tools sharp and clean.** Carefully maintained cutting tools with sharp cutting edges will jam less and are easier to control.
- g) **Make sure to use electric tools, accessories, spare parts, etc. in accordance with these instructions. Take the conditions**

**in your work area and the job to perform into account.** Using electric tools for any purpose other than the one for which they are intended can lead to dangerous situations.

- h) **Keep the handles and grip surfaces dry, clean and free from oil and grease.** If the handles and grip surfaces are slippery, it will not be possible to operate and control the power tool safely in unforeseen situations.

#### 5. Using and handling the cordless tool

- a) **Only charge the batteries in chargers that are recommended by the manufacturer.** A charger that is designed for a certain type of battery may pose a fire risk if it is used with other types of battery.
- b) **Use only the correct batteries in the electric tools.** The use of other batteries may result in injuries and a fire risk.
- c) **Keep unused batteries away from paper clips, coins, keys, nails, screws and other metallic objects that could cause a short circuit between the contacts.** A short circuit between the battery contacts may cause burns or a fire.
- d) **In case of incorrect use, fluid may escape from the battery. Avoid contact with it. If you touch it by accident, rinse the affected area with water. If you get the fluid in your eyes, also seek medical advice.** Leaking battery fluid can cause skin irritation or burns.
- e) **Never use damaged or altered rechargeable batteries.** Damaged or altered rechargeable batteries can behave unpredictably and lead to a risk of fire, explosion or injury.
- f) **Never expose a rechargeable battery to fire or high temperatures.** Fire or temperatures over 130°C pose a risk of explosion.
- g) **Follow all the instructions on charging and never charge the rechargeable battery or cordless tool outside the specified allowable charging temperature range.** Incorrect charging or charging outside the allowable charging temperature range could cause irreparable damage to the battery and increase the risk of fire.

#### 6. Service

- a) **Have your electric tool repaired only by trained personnel and/or the authorized service agent, using only genuine spare parts.** This will ensure that your electric tool remains safe to use.

- b) **Never perform maintenance work on damaged rechargeable batteries.** All maintenance work on rechargeable batteries should only be performed by the manufacturer or authorized after sales service outlets.

#### Safety information for drills

##### Safety information for all jobs

- **Wear ear protection when performing impact drilling work.** The impact of noise can cause damage to hearing.
- **Hold the electric power tool by the insulated handles when carrying out work during which the plug-in tool could strike concealed power cables or its own power cable.** Contact with a live cable will also make the metal parts of the tool live and will cause an electric shock.

##### Safety information when using long drill bits

- a) **Do not under any account operate the drill bit at a higher rotational speed than the maximum permitted rotational speed.** At higher rotational speeds the drill bit can bend slightly if able to rotate freely when not in contact with the workpiece. This can cause injury!
- b) **Always start drilling at a low rotational speed and while the drill bit is in contact with the workpiece.** At higher rotational speeds the drill bit can bend slightly if able to rotate freely when not in contact with the workpiece. This can cause injury!
- c) **Do not exert any excessive pressure. Pressure should only be exerted in the longitudinal direction of the drill bit.** Drill bits can bend, causing them to break or leading to a loss of control and to injury.

##### Additional safety instructions

We pay a great deal of attention to the design of every battery pack to ensure that we supply you with batteries which feature maximum power density, durability and safety. The battery cells have a wide range of safety devices. Each individual cell is initially formatted and its electrical characteristic curves are recorded. These data are then used exclusively to be able to assemble the best possible battery packs. **Despite all the safety precautions, caution must always be exercised when handling batteries. The following points must be obeyed at all times to ensure safe use.**

**Safe use can only be guaranteed if undamaged cells are used. Incorrect handling can cause cell damage.**

**Important:** Analyses confirm that incorrect use and poor care are the main causes of the damage caused by high performance batteries.

##### Information about the battery

1. The battery pack supplied with your cordless tool is not charged. The battery pack has to be charged before you use the tool for the first time.
2. For optimum battery performance avoid low discharge cycles. Charge the battery pack frequently.
3. Store the battery pack in a cool place, ideally at 15°C and charged to at least 40%.
4. Lithium-ion batteries are subject to a natural ageing process. The battery pack must be replaced at the latest when its capacity falls to just 80% of its capacity when new. Weakened cells in an aged battery pack are no longer capable of meeting the high power requirements and therefore pose a safety risk.
5. Do not throw battery packs into an open fire. There is a risk of explosion!
6. Do not ignite the battery pack or expose it to fire.
7. **Do not exhaustively discharge batteries.** Exhaustive discharge will damage the battery cells. The most common cause of exhaustive discharge is lengthy storage or non-use of partly discharged batteries. Stop working as soon as the performance of the battery falls noticeably or the electronic protection system triggers. Place the battery pack in storage only after it has been fully charged.
8. **Protect batteries and the tool from overloads.** Overloads will quickly result in overheating and cell damage inside the battery housing without this overheating actually being apparent externally.
9. **Avoid damage and shocks.** Replace batteries which have been dropped from a height of more than one meter or which have been exposed to violent shocks without delay, even if the housing of the battery pack appears to be undamaged. The battery cells inside the battery may have suffered serious damage. In this respect, please also read the waste disposal information.
10. If the battery pack suffers overloading and overheating, the integrated protective cut-off will switch off the equipment for safety rea-

sons. **Important.** Do not press the ON/OFF switch any more if the protective cut-off has actuated. This may damage the battery pack.

11. Use only original battery packs. The use of other batteries may result in injuries, explosion and a fire risk.
12. **Protect your rechargeable battery against moisture, rain and high humidity.** Moisture, rain and high humidity can cause dangerous cell damage. Never charge or work with batteries which have been exposed to moisture, rain or high humidity – replace them immediately.
13. If your equipment is fitted with a detachable battery, remove the battery for safety reasons after you have finished your work

#### Information on chargers and the charging process

1. Please check the data marked on the rating plate of the battery charger. Be sure to connect the battery charger to a power supply with the voltage marked on the rating plate. Never connect it to a different mains voltage.
2. Protect the battery charger and its cable from damage and sharp edges. Have damaged cables repaired without delay by a qualified electrician.
3. Keep the battery charger, batteries and the cordless tool out of children's reach.
4. Do not use damaged battery chargers.
5. Do not use the supplied battery charger to charge other cordless tools.
6. In heavy use the battery pack will become warm. Allow the battery pack to cool to room temperature before commencing with the charging.
7. **Do not over-charge batteries.** Do not exceed the maximum charging times. These charging times only apply to discharged batteries. Frequent insertion of a charged or partly charged battery pack will result in over-charging and cell damage. Do not leave batteries in the charger for days on end.
8. **Never use or charge batteries if you suspect that the last time they were charged was more than 12 months previously.** There is a high probability that the battery pack has already suffered dangerous damage (exhaustive discharge).
9. Charging batteries at a temperature below 10°C will cause chemical damage to the cell and may cause a fire.
10. Do not use batteries which have heated during the charging process, as the battery cells

may have suffered dangerous damage.

11. Do not use batteries which have suffered curvature or deformation during the charging process or which show other non-typical symptoms (gassing, hissing, cracking,...)
12. Never fully discharge the battery pack (recommended depth of discharge max. 80%)  
A complete discharge of the battery pack will lead to premature ageing of the battery cells.
13. Never charge the batteries unsupervised.

#### Protection from environmental influences

1. Wear suitable work clothes. Wear safety goggles.
2. **Protect your cordless tool and the battery charger from moisture and rain.** Moisture and rain can cause dangerous cell damage.
3. Do not use the cordless tool or the battery charger near vapors and inflammable liquids.
4. Use the battery charger and cordless tools only in dry conditions and an ambient temperature of 10-40°C.
5. Do not keep the battery charger in places where the temperature is liable to reach over 40°C. In particular, do not leave the battery charger in a car that is parked in the sunshine.
6. **Protect batteries from overheating.** Overloads, over-charging and exposure to direct sunlight will result in overheating and cell damage. Never charge or work with batteries which have been overheated – replace them immediately if possible.
7. **Storage of batteries, battery chargers and cordless tools.** Store the charger and your cordless tool only in dry places with an ambient temperature of 10-40°C. Store your lithium-ion battery pack in a cool, dry place at a temperature of 10-20°C. Protect them from humidity and direct sunlight. Only place fully charged batteries in storage (charged at least 40%).
8. Prevent the lithium-ion battery pack from freezing. Battery packs which were stored below 0°C for more than 60 minutes must be disposed of.
9. When handling batteries beware of electrostatic charge: Electrostatic discharges cause damage of the electronic protection system and the battery cells. Avoid electrostatic charging and never touch the battery poles.

Batteries and cordless electric equipment contain materials that are potentially harmful to the environment. Never place any rechargeable batteries or cordless electric machines or tools in your



household refuse.

The rechargeable battery should be taken to a suitable collection center for proper disposal. If you do not know the whereabouts of such a collection center, you should ask in your local council offices.

**To ensure that any defective/damaged lithium-ion batteries are properly packaged and delivered when you send them to us, please contact our customer service or the point of sale at which the equipment was purchased.**

**When shipping or disposing of batteries and cordless tools, always ensure that they are packed individually in plastic bags to prevent short circuits and fires.**

**Do not lose these safety instructions**

## 2. Layout and items supplied

### 2.1 Layout (Fig. 1)

1. Torque selector
2. Battery capacity indicator
3. Changeover switch
4. ON/OFF switch
5. Battery pack (not supplied)
6. Battery charger (not supplied)
7. Selector switch for 1st/2nd gear
8. Pushlock button
9. Quick-change drill chuck
10. LED lamp
11. Selector switch for driving/drilling/impact drilling

### 2.2 Items supplied

Please check that the article is complete as specified in the scope of delivery. If parts are missing, please contact our service center or the sales outlet where you made bought the product within the maximum days indicated by the consumer protection laws of your country and upon presentation of a valid bill of purchase. Also, refer to the warranty table in the service information at the end of the operating instructions.

- Open the packaging and take out the equipment with care.
- Remove the packaging material and any packaging and/or transportation braces (if available).
- Check to see if all items are supplied.

- Inspect the equipment and accessories for transport damage.
- If possible, please keep the packaging until the end of the guarantee period.

### **Danger!**

**The equipment and packaging material are not toys. Do not let children play with plastic bags, foils or small parts. There is a danger of swallowing or suffocating!**

- Cordless Impact Drill
- Original operating instructions


## 3. Proper use

The cordless drill/screwdriver is designed for tightening and undoing screws, as well as for drilling in wood, metal and plastic.

The equipment is to be used only for its prescribed purpose. Any other use is deemed to be a case of misuse. The user / operator and not the manufacturer will be liable for any damage or injuries of any kind caused as a result of this.

Please note that our equipment has not been designed for use in commercial, trade or industrial applications. Our warranty will be voided if the machine is used in commercial, trade or industrial businesses or for equivalent purposes.

## 4. Technical data

Voltage supply:..... 18 V   
 Idling speed: ..... max. 0-350 / 0-1250 r.p.m.  
 Number of percussions: . max. 5250/18750 p.p.m  
 Torque settings: ..... 18+1+1  
 Forward and reverse rotation ..... yes  
 Chuck clamping width: ..... max. 2-13 mm  
 Max. screw diameter:..... 6 mm  
 Weight..... 1,1 kg

### **Wear ear-muffs.**

The impact of noise can cause damage to hearing.

**Keep the noise emissions and vibrations to a minimum.**

- Only use appliances which are in perfect conditions.
- Service and clean the appliance regularly.
- Adapt your working style to suit the appliance.
- Do not overload the appliance.
- Have the appliance serviced whenever necessary.
- Switch the appliance off when it is not in use.

**Residual risks**

**Even if you use this electric power tool in accordance with instructions, certain residual risks cannot be ruled out. The following hazards may arise in connection with the equipment's construction and layout:**

1. Lung damage if no suitable protective dust mask is used.
2. Damage to hearing if no suitable ear protection is used.
3. Health damage caused by hand-arm vibrations if the equipment is used over a prolonged period or is not properly guided and maintained.

## 5. Before starting the equipment

Be sure to read the following information before you use your cordless screwdriver for the first time:

1. Charge the battery pack with the charger supplied. An empty battery pack requires a charging period of approximately 0.5-1 hour.
2. Only ever use sharp drill bits and screwdriver bits which are suitable for the purpose and in faultless condition.
3. Always check for concealed electric cables and gas and water pipes when drilling and screwing in walls.

## 6. Operation

### 6.1 Charging the LI battery pack (Fig. 2-3)

1. Remove the battery pack (5) from the handle, pressing the pushlock buttons (8) downwards to do so.
2. Check that your mains voltage is the same as that marked on the rating plate of the battery charger. Insert the power plug of the charger (6) into the mains socket outlet. The green LED will then begin to flash.

3. Push the battery pack onto the battery charger.

In section 10 "Charger indicator" you will find a table with an explanation of the LED indicator on the charger.

If the battery pack fails to become charged, please check

- whether there is voltage at the socket-outlet
- whether there is proper contact at the charging contacts on the charger.

If the battery still fails to become charged, please return

- the charger
- the battery pack

to our Customer Service Department.

To ensure that the LI battery pack provides long service you should take care to recharge it promptly. You must recharge the battery pack when you notice that the power of the cordless screwdriver drops.

### 6.2 Torque setting (Fig. 4 / Item 1)

**Important! The tool must be at a standstill when you set the torque with the setting ring.**

The cordless screwdriver is fitted with a mechanical torque selector.

The torque for a specific size of screw is selected with the set-collar (1). The correct torque depends on several factors:

- on the type and hardness of material in question
- on the type and length screws used
- on the requirements needing to be met by the screwed joint.

The clutch disengages with a grating sound to indicate when the set torque is reached.

### 6.3 Selector switch for driving/drilling/impact drilling (Fig. 4/Item 11)

- For driving purposes, set the selector switch (11) to the „Screw“ position. The torque is adjusted via the torque setting (1) (see point 6.2).
- For drilling purposes, set the selector switch (11) to the „Bit“ position. The slip coupling is now off and the maximum torque is available regardless of the torque setting (1).
- For impact drilling purposes, set the selector switch (11) to the „Hammer“ position. The slip

coupling is now off and the maximum torque is available regardless of the torque setting (1).

**Important! Change the torque setting (1) and the selector switch for driving/drilling/impact drilling (11) only when the equipment is at a standstill.**

#### 6.4 Forward/Reverse switch (Fig. 5 / Item 3)

With the slide switch above the On/Off switch you can select the direction of rotation of the battery-powered drill/screwdriver and secure it against being switched on accidentally. You can choose between clockwise and anticlockwise rotation. To avoid causing damage to the gearing it is advisable to change the direction of rotation only when the tool is at a standstill. The On/Off switch is blocked when the slide switch is in centre position.

#### 6.5 On/Off switch (Fig. 5 / Item 4)

Infinitely variable speed control is possible with the On/Off switch. The further you press the switch, the higher the speed of the battery-powered drill/screwdriver.

#### 6.6 Changing over from 1st gear to 2nd gear (Fig. 4 / Item 7)

You can work at a higher or lower speed depending on the position of the selector switch. To avoid damaging the gear unit you should only change over gears when the tool has stopped.

#### 6.7 Battery capacity indicator (Fig. 6 / Item 2)

Press the battery capacity indicator switch (a). The battery capacity indicator (2) shows the charge status of the battery using 3 LEDs.

##### All 3 LEDs are lit:

The battery is fully charged.

##### 2 or 1 LED(s) are lit:

The battery has an adequate remaining charge.

##### 1 LED blinks:

The battery is empty, recharge the battery.

##### All LEDs blink:

The battery pack has undergone exhaustive discharge and is defective. Do not use or charge a defective battery pack.

#### 6.8 LED lamp (Fig. 6 / Item 10)

The LED lamp (10) can be used in poor lighting conditions to illuminate the area where you want to drill or screw. The LED lamp (10) will be lit automatically as soon as you press the ON/OFF switch (4).

#### 6.9 Changing the tool (Fig. 7)

**Important.** Set the changeover switch (3) to its centre position whenever you carry out any work (for example changing the tool, maintenance work, etc.) on the cordless screwdriver.

- The cordless screwdriver is fitted with a quick-action chuck (9) with an automatic spindle stop.
- Open the chuck (9). The chuck opening (a) must be large enough to hold the tool (drill bit or screwdriver bit).
- Select the suitable tool. Push the tool as far as possible into the chuck opening (a).
- Tighten the chuck (9) and then check that the tool is secure.

#### 6.10 Screwdriving

We recommend using self-centering screws (e.g. recessed head screws) designed for reliable working. Be sure to use a bit that matches the screw in shape and size. Set the torque, as described elsewhere in these operating instructions, to suit the size of screw.

## 7. Cleaning, maintenance and ordering of spare parts

### Danger!

Always pull out the mains power plug before starting any cleaning work.

#### 7.1 Cleaning

- Keep all safety devices, air vents and the motor housing free of dirt and dust as far as possible. Wipe the equipment with a clean cloth or blow it with compressed air at low pressure.
- We recommend that you clean the device immediately each time you have finished using it.
- Clean the equipment regularly with a moist cloth and some soft soap. Do not use cleaning agents or solvents; these could attack the plastic parts of the equipment. Ensure that no water can seep into the device. The ingress of water into an electric tool increases

the risk of an electric shock.

## 7.2 Maintenance

### Carbon brushes

In the event of excessive sparking, have the carbon brushes checked by a qualified specialist or service technician.

Caution! Carbon brushes may only be replaced in a qualified specialist workshop or by a qualified person.

### 7.3 Ordering replacement parts:

Please quote the following data when ordering replacement parts:

- Type of machine
- Article number of the machine
- Identification number of the machine
- Replacement part number of the part required

## 8. Disposal and recycling

The equipment is supplied in packaging to prevent it from being damaged in transit. The raw materials in this packaging can be reused or recycled. The equipment and its accessories are made of various types of material, such as metal and plastic. Never place defective equipment in your household refuse. The equipment should be taken to a suitable collection center for proper disposal. If you do not know the whereabouts of such a collection point, you should ask in your local council offices.

## 9. Storage

Store the equipment and accessories in a dark and dry place at above freezing temperature. The ideal storage temperature is between 10 and 40 °C. Store the electric tool in its original packaging.

The reprinting or reproduction by any other means, in whole or in part, of documentation and papers accompanying products is permitted only with the express consent of the Einhell Germany AG.

Subject to technical changes.

## 10. Charger indicator

Indicator status		Explanations and actions
Red LED	Green LED	
Off	Flashing	<p><b>Ready for use</b> The charger is connected to the mains and is ready for use; there is no battery pack in the charger</p>
On	Off	<p><b>Charging</b> The charger is charging the battery pack in quick charge mode.</p>
Off	On	<p>The battery is 85% charged and ready for use. (The unit then changes over to gentle charging mode until the battery is fully charged.)</p> <p><b>Action:</b> Take the battery pack out of the charger. Disconnect the charger from the mains supply.</p>
Flashing	Off	<p><b>Adapted charging</b> The charger is in gentle charging mode. For safety reasons the charging is performed less quickly and takes more than 1 hour. The reasons can be:</p> <ul style="list-style-type: none"> <li>- The battery pack has not been used for a very long time or an already flat battery was further discharged (exhaustive discharge).</li> <li>- The battery pack temperature is outside the ideal range (between 25° C and 45° C).</li> </ul> <p><b>Action:</b> Wait for the charging to be completed; you can still continue to charge the battery pack.</p>
Flashing	Flashing	<p><b>Fault</b> Charging is no longer possible. The battery pack is defective.</p> <p><b>Action:</b> Never charge a defective battery pack. Take the battery pack out of the charger.</p>
On	On	<p><b>Temperature fault</b> The battery pack is too hot (e.g. due to direct sunshine) or too cold (below 0° C).</p> <p><b>Action:</b> Remove the battery pack and keep it at room temperature (approx. 20° C) for one day .</p>

## 11. Service information

We have competent service partners in all countries named on the guarantee certificate whose contact details can also be found on the guarantee certificate. These partners will help you with all service requests such as repairs, spare and wearing part orders or the purchase of consumables.

Please note that the following parts of this product are subject to normal or natural wear and that the following parts are therefore also required for use as consumables.

Category	Example
Wear parts*	Drill chuck, Battery
Consumables*	Bit inserts/drill bits
Missing parts	

\* Not necessarily included in the scope of delivery!

In the event of defects or faults, please inform the problem to the contact address indicated at the warranty card of your country. Please ensure that you provide a precise description of the problem and answer the following questions in all cases:

- Did the equipment work at all or was it defective from the beginning?
- Did you notice anything (symptom or defect) prior to the failure?
- What malfunction does the equipment have in your opinion (main symptom)?
- Describe this malfunction.



Aviso - Leer el manual de instrucciones para reducir cualquier riesgo de sufrir daños.



**Usar protección para los oídos.** La exposición al ruido puede ser perjudicial para el oído.



**Cuidado! Es preciso ponerse una mascarilla de protección.** Puede generarse polvo dañino para la salud cuando se realicen trabajos en madera o en otros materiales. ¡Está prohibido trabajar con material que contenga asbesto!



**Usar gafas de protección.** Durante el trabajo, la expulsión de chispas, astillas, virutas y polvo por el aparato pueden provocar pérdida de vista.



Con el fin de evitar que se dañe el engranaje, cambiar la velocidad únicamente cuando la herramienta se haya detenido por completo.



Almacenamiento de las baterías sólo en espacios secos con una temperatura ambiente de +10°C a +40°C. Guardar las baterías únicamente cuando estén cargadas (mín. al 40%).

**¡Atención!**

Al usar aparatos es preciso tener en cuenta una serie de medidas de seguridad para evitar lesiones o daños. Por este motivo, es preciso leer atentamente este manual de instrucciones/advertencias de seguridad. Guardar esta información cuidadosamente para poder consultarla en cualquier momento. En caso de entregar el aparato a terceras personas, será preciso entregarles, asimismo, el manual de instrucciones/advertencias de seguridad. No nos hacemos responsables de accidentes o daños provocados por no tener en cuenta este manual y las instrucciones de seguridad.

**1. Instrucciones de seguridad****¡Aviso!**

**Lea todas las instrucciones de seguridad e indicaciones.** El incumplimiento de dichas instrucciones e indicaciones puede provocar descargas, incendios y/o daños graves. **Guarde todas las instrucciones de seguridad e indicaciones para posibles consultas posteriores.**

**Instrucciones generales de seguridad de las herramientas eléctricas.**

El término de “herramienta eléctrica” que se usa en las instrucciones de seguridad se refiere a las herramientas que funcionan en red (con cable de conexión) y con batería (sin cable de conexión).

**1. Seguridad en el lugar de trabajo**

- a) **Mantener limpia y bien iluminada la zona de trabajo.** Las zonas de trabajo desordenadas o sin luz pueden conllevar accidentes.
- b) **No trabajar con este aparato eléctrico en un entorno explosivo en el que se encuentren líquidos, gases o polvos inflamables.** Las herramientas eléctricas generan chispas que pueden inflamar el polvo o los vapores.
- c) **Mantener alejados a niños u otras personas fuera del alcance de la herramienta eléctrica.** Las distracciones pueden hacer perder el control sobre el aparato.

**2. Seguridad eléctrica**

- a) **El enchufe del aparato eléctrico debe ser el adecuado para el tomacorriente. El enchufe no debe ser modificado de modo alguno. No emplear adaptadores de en-**

**chufe en aparatos eléctricos puestos a tierra.** Los enchufes sin modificar y las tomas de corriente adecuadas reducen el riesgo de una descarga eléctrica.

- b) **Evitar el contacto corporal con superficies con toma de tierra como tubos, calefacciones, fogones y frigoríficos.** Existe un gran riesgo de descarga eléctrica si su cuerpo se halla puesto a tierra.
- c) **Mantener los aparatos eléctricos alejados de la lluvia o humedad.** Si entra agua en el aparato eléctrico existirá mayor riesgo de una descarga eléctrica.
- d) **No utilizar el cable de forma inadecuada, no utilizarlo para transportar el aparato, colgarlo o retirarlo de la toma de corriente. Mantener el cable alejado del calor, aceites, cantos afilados o partes del aparato en movimiento.** Los cables dañados o mal enrollados aumentan el riesgo de descarga eléctrica.
- e) **Si se trabaja con una herramienta eléctrica al aire libre, emplear sólo prolongadores que también sean adecuadas para el exterior.** El empleo de una alargadera apropiada para trabajos en el exterior reduce el riesgo de descarga eléctrica.
- f) **Si no se puede evitar tener que utilizar la herramienta eléctrica en un entorno húmedo, utilizar un dispositivo de protección diferencial.** El uso de un dispositivo de protección diferencial reduce el riesgo de sufrir una descarga eléctrica.

**3. Seguridad de personas**

- a) **Prestar atención al trabajo, comprobar lo que se está haciendo y proceder de forma razonable durante el trabajo con la herramienta eléctrica. No emplear la herramienta eléctrica si se está cansado o bajo la influencia de drogas, alcohol o medicamentos.** Una mínima falta de atención durante el uso de la herramienta eléctrica puede causar lesiones graves.
- b) **Usar equipamiento de protección personal y siempre unas gafas protectoras.** El hecho de usar equipamiento de protección personal como mascarilla, calzado de seguridad antideslizante, casco de protección o protección para los oídos, según el tipo y uso de la herramienta eléctrica, reduce el riesgo de sufrir lesiones.
- c) **Evitar una puesta en marcha no intencionada. Asegurarse de que la herramienta está desconectada antes de enchufarla**



- a la red eléctrica y/o a la batería, tomarla en la mano o transportarla.** Peligro de sufrir accidentes si la herramienta eléctrica se trasladada pulsando el interruptor o si se enchufa a la toma de corriente cuando está encendida.
- d) Retirar las herramientas de ajuste o las llaves antes de conectar la herramienta eléctrica.** Una herramienta o llave que se haya olvidada en partes giratorias del aparato puede producir lesiones.
- e) Evitar trabajar en una posición corporal inadecuada. Adoptar una posición segura y mantener en todo momento el equilibrio.** Ello permite controlar mejor la herramienta eléctrica en situaciones inesperadas.
- f) Usar ropa de trabajo adecuada. No llevar ropa holgada ni joyas durante el trabajo. Mantener el cabello, la ropa y los guantes alejados de las piezas en movimiento.** La ropa holgada, las joyas o los cabellos largos pueden ser atrapados por las piezas en movimiento.
- g) Si el aparato permite instalar dispositivos de aspiración y recolección del polvo, es preciso asegurarse de que estén conectados y se empleen de forma correcta.** La utilización de un aspirador de polvo puede reducir los peligros provocados por el mismo.
- h) No dar siempre por sentada la seguridad ni ignorar las normas de seguridad de las herramientas eléctricas, ni siquiera aunque se haya utilizado la herramienta con tanta frecuencia que uno se sienta familiarizado con ella.** Si no se presta atención en su manejo, en milésimas de segundo se pueden sufrir lesiones graves.
- 4. Empleo y tratamiento de la herramienta eléctrica**
- a) No sobrecargar el aparato. Usar la herramienta eléctrica específica para cada trabajo.** Con la herramienta eléctrica adecuada se trabaja mejor y con más seguridad permaneciendo dentro de la potencia indicada.
- b) No usar la herramienta eléctrica cuyo interruptor esté defectuoso.** Una herramienta eléctrica que ya no pueda conectarse o desconectarse conlleva peligros y debe repararse.
- c) Desenchufar el cable de la toma de corriente y/o retirar la batería antes de ajustar el aparato, cambiar accesorios o abandonar el aparato.** Esta medida de seguridad evita que la herramienta eléctrica arranque accidentalmente.
- d) Guardar las herramientas eléctricas que no se usen fuera del alcance de los niños. No permitir el uso del aparato a personas que no estén familiarizadas con él o no hayan leído estas instrucciones.** Las herramientas eléctricas son peligrosas si las usan personas sin experiencia.
- e) Cuidar la herramienta eléctrica de forma adecuada. Comprobar que las piezas móviles funcionen de forma correcta y no se bloqueen, controlar también si existen piezas rotas o están tan dañadas que ponen en peligro el funcionamiento de la herramienta eléctrica.** Reparar las piezas dañadas antes de usar el aparato. Numerosos accidentes se deben a herramientas eléctricas mal cuidadas.
- f) Mantener limpias y afiladas las herramientas de corte.** Las herramientas de corte bien cuidadas con cantos afilados se bloquean con menor frecuencia y pueden manejarse de forma más sencilla.
- g) Respetar estas instrucciones cuando se desee utilizar la herramienta eléctrica, los accesorios, requestos, etc.** Para ello, tener en cuenta las condiciones de trabajo y la tarea a ejecutar. El uso de herramientas eléctricas para otros fines diferentes a los previstos puede originar situaciones peligrosas.
- h) Mantener las empuñaduras secas, limpias y sin restos de aceite o grasa.** Si las empuñaduras están resbaladizas no se podrá manejar de forma segura ni controlar la herramienta eléctrica en situaciones imprevisibles.
- 5. Empleo y tratamiento de la herramienta eléctrica**
- a) Cargar la batería sólo en cargadores recomendados por el fabricante.** Existe el peligro de incendio si se utiliza un cargador, indicado sólo para un tipo concreto de baterías, para otro tipo de baterías.
- b) Utilizar sólo las baterías indicadas para la herramienta eléctrica en cuestión.** El uso de otras baterías puede provocar daños y conllevar peligro de incendio.
- c) Mantener cualquier batería que no se esté utilizando alejada de grapas, monedas, llaves, clavos, tornillos u otros objetos metálicos pequeños que podrían provocar un puenteo de los contactos.** Un cortocircuito entre los contactos de la batería puede tener como consecuencia quemaduras o provocar fuego.

- d) **Si se utiliza incorrectamente podría salir líquido de la batería. Evitar el contacto con el líquido. En caso de tocar accidentalmente el líquido, lavar la zona afectada con agua. Si el líquido penetra en los ojos, acudir a un médico.** El líquido de la batería puede provocar irritaciones en la piel o quemaduras.
- e) **No emplear baterías dañadas o modificadas.** Las baterías dañadas o modificadas pueden comportarse de forma impredecible y prender fuego, provocar una explosión o conllevar peligro de accidente.
- f) **No someter las baterías al fuego o a temperaturas excesivas.** El fuego o las temperaturas por encima de los 130°C pueden provocar una explosión.
- g) **Seguir todas las instrucciones sobre la carga y no cargar nunca la batería ni la herramienta inalámbrica fuera del margen de temperatura indicada en el manual de instrucciones.** En caso contrario, se puede dañar la batería aumentando así el peligro de incendio.

#### 6. Mantenimiento / Reparación

- a) **Sólo especialistas cualificados y la red de servicio técnico autorizada deben reparar la herramienta eléctrica, empleando para ello únicamente piezas de repuesto originales.** Esta forma de proceder garantiza la seguridad de la herramienta eléctrica.
- b) **No realizar nunca uno mismo trabajos de mantenimiento en baterías dañadas.** Todos los trabajos de mantenimiento en la batería deberán ser realizados por el fabricante o servicios de asistencia al cliente autorizados.

#### Instrucciones de seguridad para taladros

##### Instrucciones de seguridad para todos los trabajos

- **Llevar protección auditiva cuando se taladre con percusión.** La exposición al ruido puede ser perjudicial para el oído.
- **Sujetar la herramienta eléctrica por las empuñaduras aisladas cuando se realicen trabajos en los que la herramienta insertable pueda topar con cables ocultos o con el propio cable de conexión.** El contacto con un cable de corriente puede electrificar las piezas metálicas del aparato o provocar una descarga eléctrica.

#### Instrucciones de seguridad para el uso de brocas largas

- a) **No trabajar bajo ningún concepto con una velocidad superior a la velocidad máxima admisible para la broca.** A velocidades altas, la broca se puede doblar ligeramente cuando gira sin tener contacto con la pieza y, por consiguiente, provocar lesiones.
- b) **Empezar el proceso de perforación siempre a una velocidad baja y mientras la broca esté en contacto con la pieza.** A velocidades altas, la broca se puede doblar ligeramente cuando gira sin tener contacto con la pieza y, por consiguiente, provocar lesiones.
- c) **No ejercer excesiva presión y solo en sentido longitudinal con respecto a la broca.** Las brocas se pueden torcer y, de este modo, romperse o provocar una pérdida del control y lesiones.

#### Instrucciones de seguridad especiales

Con el fin de ofrecerle baterías con la máxima densidad de energía, larga duración y seguridad, prestamos el mayor cuidado en su montaje. Las celdas de la batería disponen de dispositivos de seguridad de varios niveles. En primer lugar se asigna el formato a cada celda y se registran sus características eléctricas. A continuación, estos datos se utilizan para agrupar las celdas y crear la mejores baterías. **A pesar de todas las medidas de seguridad, siempre es necesario tener precaución al utilizar baterías. Para un funcionamiento seguro es obligatorio tener en cuenta los siguientes puntos.**

**¡El funcionamiento seguro sólo está garantizado si las celdas no están dañadas! Un manejo inadecuado puede dañar las celdas.**

**¡Atención!** Los análisis confirman que un uso y un cuidado inadecuados son la principal causa de los daños provocados por baterías de alta potencia.

#### Advertencias sobre la batería

1. La batería del aparato no se suministra cargada. Antes de la primera puesta en marcha, es preciso recargarla por completo.
2. ¡Para que la batería trabaje de forma óptima evitar ciclos de descarga prolongados! Recargar la batería con frecuencia.
3. Guardar la batería en un lugar fresco, lo ideal son 15°C, y como mínimo cargada al 40%.
4. Las baterías de iones de litio están sujetas a un desgaste natural. ¡La batería debe ser

sustituída como muy tarde cuando su rendimiento sea menor al 80% respecto a su estado cuando era nueva! Las celdas deterioradas de un conjunto de baterías envejecido no cumplen con los altos requisitos de rendimiento, representando un riesgo para la seguridad.

5. No tirar las baterías usadas al fuego. ¡Peligro de explosión!
6. No prender la batería ni exponerla al fuego.
7. **¡Evitar una descarga total de las baterías!** Este tipo de descarga daña las celdas de la batería. La causa más frecuente de la descarga total de la batería es el largo almacenamiento o la no utilización de baterías parcialmente descargadas. Terminar el trabajo en cuanto se aprecie que la potencia disminuye o se activa el sistema electrónico de protección. Almacenar la batería sólo tras haberla cargado completamente.
8. **¡Proteger las baterías y el aparato contra sobrecarga!** La sobrecarga conduce rápidamente a un sobrecalentamiento y daño de las celdas del interior de la carcasa de batería, sin que el sobrecalentamiento se perciba externamente.
9. **¡Evitar daños y golpes!** Sustituir inmediatamente las baterías que hayan caído desde una altura superior a un metro o que hayan sufrido golpes fuertes, incluso aunque la carcasa de la batería no parezca dañada. Las celdas que se encuentren en su interior podrían estar gravemente dañadas. Tener en cuenta también las indicaciones de eliminación.
10. En caso de sobrecarga y sobrecalentamiento, el circuito de protección integrado desconecta el aparato por motivos de seguridad. **¡Atención!** Dejar de pulsar el interruptor On/Off cuando el circuito de protección haya desconectado el aparato. Podría dañar la batería.
11. Utilizar exclusivamente baterías originales. El uso de otras baterías puede provocar daños, así como explosión y peligro de incendio.
12. **Proteger la batería de la humedad, la lluvia y la humedad ambiental elevada.** La humedad, la lluvia y la humedad ambiental elevada pueden provocar daños peligrosos en las celdas. No cargar ni trabajar nunca con baterías que hayan estado expuestas a la humedad, la lluvia o humedad ambiental elevada, ¡reemplazarlas de inmediato!
13. Si el aparato está dotado de una batería extraíble, por motivos de seguridad será preciso

extraerla una vez finalizado el trabajo.

#### **Advertencias sobre el cargador y el proceso de carga**

1. Observar los datos indicados en la placa de identificación del cargador. Conectar el cargador sólo a la tensión nominal indicada en la placa de características.
2. Proteger el cargador y el cable de daños y cantos afilados. Los cables dañados deben ser cambiados exclusivamente por un electricista profesional.
3. Mantener el cargador, las baterías y el aparato fuera del alcance de niños.
4. No emplear cargadores dañados.
5. No emplear el cargador suministrado para cargar otros aparatos a batería.
6. La batería se calienta bajo condiciones extremas de aplicación. Dejar que la batería se enfríe hasta alcanzar la temperatura ambiental antes de empezar a cargar.
7. **¡No cargar demasiado las baterías!** Respetar los tiempos de carga máximos. Estos tiempos de carga se aplican únicamente a baterías descargadas. Si una batería cargada o parcialmente cargada se conecta varias veces al cargador se produce una sobrecarga y un daño de las celdas. No dejar las baterías varios días en el cargador.
8. **No utilizar ni cargar nunca baterías si se tiene la sospecha de que la última carga de la batería puede haberse realizado hace más de 12 meses.** Existe una alta probabilidad de que la batería ya esté gravemente dañada (descarga total).
9. Cargar la batería a una temperatura de menos de 10°C provoca daños químicos en las celdas y puede conllevar peligro de incendio.
10. No utilizar baterías que se hayan calentado durante la carga, ya que sus celdas podrían dañarse peligrosamente.
11. Dejar de usar baterías que se hayan deformado o abombado durante la carga, o aquellas que presenten síntomas inusuales (desprendimiento de gases, zumbidos, chasquidos,...)
12. No descargar la batería por completo (nivel de descarga recomendado: máx. 80%). La descarga total provoca un envejecimiento prematuro de las celdas de la batería.
13. ¡No cargar nunca las baterías sin supervisión!

#### **Protección contra influencias ambientales**

1. Ponerse ropa de trabajo adecuada. Ponerse gafas de protección.
2. **Proteger el aparato y el cargador de la**

**humedad y la lluvia.** Éstas podrían provocar daños peligrosos en las celdas.

3. No utilizar el aparato y el cargador cerca de vapores y líquidos inflamables.
4. Utilizar el cargador y el aparato a batería sólo si están secos y a una temperatura ambiente de 10-40 °C.
5. No guardar la batería en lugares que puedan alcanzar una temperatura superior a 40 °C, especialmente no en un vehículo aparcado al sol.
6. **¡Proteger las baterías contra un sobrecalentamiento!** La sobrecarga, carga excesiva o la radiación solar conducen a un sobrecalentamiento y al daño de las celdas. No cargar ni trabajar en ningún caso con baterías que se hayan sobrecalentado. Sustituirlas inmediatamente.
7. **Almacenamiento de baterías, cargadores y del aparato.** Guardar siempre el cargador y el aparato en habitaciones secas con una temperatura ambiente de 10-40°C. Guardar la batería de iones de litio en un lugar fresco y seco a 10-20°C. ¡Proteger de la humedad ambiental y de la radiación solar! Guardar las baterías únicamente cuando estén cargadas (mín. al 40%).
8. Evitar que la batería de iones de litio se hielan. Deshacerse de las baterías que hayan estado guardadas a 0°C durante más de 60 minutos.
9. Llevar cuidado con la carga electrostática al manipular baterías: las descargas electrostáticas provocan daños en el sistema electrónico de protección y las celdas de la batería. ¡Evitar por ello la carga electrostática y no tocar nunca los polos de la batería!

Los acumuladores y aparatos eléctricos con batería contienen materiales que pueden resultar nocivos para el medio ambiente. No se deben tirar aparatos inalámbricos a la basura normal.

Para su eliminación adecuada, la batería debe entregarse a una entidad recolectora prevista para ello. En caso de no conocer ninguna, será preciso informarse en el organismo responsable del municipio.

**Para un envío adecuado de baterías de iones de litio defectuosas o dañadas, ponerse en contacto con nuestro servicio de asistencia técnica o con el punto de venta en el que se compró el aparato.**

**Para el envío o la eliminación de baterías o del aparato, estos deben embalarse por separado en bolsas de plástico para evitar cortocircuitos e incendios.**

**Guardar las instrucciones de seguridad en lugar seguro**

## 2. Descripción del aparato y volumen de entrega

### 2.1 Descripción del aparato (fig. 1)

1. Ajuste de par
2. Indicador de capacidad de batería
3. Interruptor de inversión de marcha
4. Interruptor ON/OFF
5. Batería (no se suministra)
6. Cargador (no se suministra)
7. Conmutador 1ª marcha - 2ª marcha
8. Dispositivo de retención
9. Portabrocas de sujeción rápida
10. Luz LED
11. Conmutador atornillar/taladrar/taladrar por percusión

### 2.2 Volumen de entrega

Sirviéndose de la descripción del volumen de entrega, compruebe que el artículo esté completo. Si faltase alguna pieza, dirigirse a nuestro Service Center o a la tienda especializada más cercana en un plazo máximo fijado por las leyes correspondientes de su país, presentando un recibo de compra válido. A este respecto, observar la tabla de garantía de las condiciones de garantía que se encuentran al final del manual.

- Abrir el embalaje y extraer cuidadosamente el aparato.
- Retirar el material de embalaje, así como los dispositivos de seguridad del embalaje y del transporte (si existen).
- Comprobar que el volumen de entrega esté completo.
- Comprobar que el aparato y los accesorios no presenten daños ocasionados durante el transporte.
- Si es posible, almacenar el embalaje hasta que transcurra el periodo de garantía.

### Atención!

**¡El aparato y el material de embalaje no son un juguete! ¡No permitir que los niños jueguen con bolsas de plástico, láminas y piezas pequeñas! ¡Riesgo de ingestión y asfixia!**

- Taladro atornillador a percusión inalámbrico
- Instrucciones de seguridad

### 3. Uso adecuado

El taladro inalámbrico está previsto para atornillar y desatornillar tornillos, así como para taladrar en madera, metal y plástico.

Utilizar la máquina sólo para los casos que se indican explícitamente como de uso adecuado. Cualquier otro uso no será adecuado. En caso de uso inadecuado, el fabricante no se hace responsable de daños o lesiones de cualquier tipo; el responsable es el usuario u operario de la máquina.

Tener en consideración que nuestro aparato no está indicado para un uso comercial, industrial o en taller. No asumiremos ningún tipo de garantía cuando se utilice el aparato en zonas industriales, comerciales o talleres, así como actividades similares.

### 4. Características técnicas

Alimentación de corriente del motor .... 18 V 

Velocidad marcha en vacío:

..... max. 0-350 / 0-1250 r.p.m.

Número de percusiones.. max. 5250/18750 p.p.m

Niveles de par de giro: ..... 18+1+1

Giro a la derecha/izquierda ..... si

Alcance del portabrocas ..... max. 2-13 mm

Diámetro máx. del tornillo:..... 6 mm

Peso..... 1,1 kg

#### Usar protección para los oídos.

La exposición al ruido puede ser perjudicial para el oído.

#### ¡Reducir la emisión de ruido y las vibraciones al mínimo!

- Emplear sólo aparatos en perfecto estado.
- Realizar el mantenimiento del aparato y limpiarlo con regularidad.
- Adaptar el modo de trabajo al aparato.
- No sobrecargar el aparato.
- En caso necesario dejar que se compruebe el aparato.
- Apagar el aparato cuando no se esté utilizando.

#### Riesgos residuales

**Incluso si esta herramienta se utiliza adecuadamente, siempre existen riesgos residuales.**

**En función de la estructura y del diseño de esta herramienta eléctrica pueden producirse los siguientes riesgos:**

1. Lesiones pulmonares en caso de que no se utilice una mascarilla de protección antipolvo.
2. Lesiones auditivas en caso de que no se utilice una protección para los oídos adecuada.
3. Daños a la salud derivados de las vibraciones de las manos y los brazos si el aparato se utiliza durante un largo periodo tiempo, no se sujeta del modo correcto o si no se realiza un mantenimiento adecuado.

### 5. Antes de la puesta en marcha

Antes de la puesta en marcha del producto, es preciso leer las siguientes advertencias:

1. Cargar la batería con el cargador que se suministra adjunto. Una batería descargada se carga en aprox. 0,5-1 hora.
2. Utilice únicamente taladros afilados, así como puntas portatornillo adecuadas.
3. Cuando taladre o atornille paredes y muros, compruebe que no exista ningún cable de electricidad o conducto de gas y agua escondidos.

## 6. Manejo

### 6.1 Cargar la batería LI (fig. 2-3)

1. Sacar la batería (5) de la empuñadura presionando hacia abajo el dispositivo de retención (8).
2. Comprobar que la tensión de red coincida con la especificada en la placa de identificación del aparato. Conectar el enchufe del cargador (6) a la toma de corriente. El LED verde empieza a parpadear.
3. Colocar la batería en el cargador.

El apartado 10 (indicación cargador) incluye una tabla con los significados de las indicaciones LED del cargador.

Si se presentan dificultades al cargar el conjunto de baterías rogamos comprueben:

- si el enchufe utilizado se halla bajo tensión
- si existe un contacto correcto a nivel de los contactos del cargador.

De continuar siendo imposible cargar el conjunto le rogamos ser sirva a remitir a nuestro servicio técnico postventa:

- el cargador
- y el conjunto de baterías

Realizar siempre recargas de la batería LI a tiempo para procurar que dure lo máximo posible. Esto es imprescindible en el caso de que note que se reduce la potencia del atornillador con batería.

### 6.2 Ajuste de par (fig. 4/pos. 1)

**¡Atención! Ajuste el anillo para el par de giro sólo fuera de servicio.**

El atornillador con batería está equipado con un ajuste de par mecánico.

El par requerido por un tornillo de tamaño determinado se ajusta en el anillo de ajuste (1). La fuerza de par depende de varios factores:

- del tipo de material a trabajar y de su dureza
- del tipo de tornillos y de su longitud
- de los requisitos que deba cumplir la atornilladura en cuestión.

Tan pronto como se alcanza el par ajustado se soltará el acoplamiento con un ruido peculiar.

### 6.3 Conmutador atornillar/taladrar/taladrar por percusión (fig. 4/pos. 11)

- Para atornillar, poner el conmutador (11) en la posición „tornillo“. El par de giro se ajusta mediante el ajuste del par (1) (ver punto 6.2).
- Para taladrar, poner el conmutador (11) en la posición „broca“. El acoplamiento deslizante está apagado e, independientemente del ajuste del par (1), se puede alcanzar el par de giro máximo.
- Para taladrar con percusión, poner el conmutador (11) en la posición „martillo“. El acoplamiento deslizante está apagado e, independientemente del ajuste del par (1), se puede alcanzar el par de giro máximo.

**¡Advertencia! ¡Cambiar el ajuste del par (1) y el conmutador atornillar/taladrar/taladrar con percusión (11) solo cuando el aparato esté completamente parado!**

### 6.4 Reversión del sentido de giro (fig. 5/ pos. 3)

Con el interruptor deslizante situado encima del conector/desconector es posible ajustar el sentido del giro del atornillador, al mismo tiempo que se protege el aparato de una conexión involuntaria. Es posible elegir entre sentido de giro a la izquierda o a la derecha. A fin de evitar daños en el engranaje se recomienda efectuar el cambio de velocidad únicamente estando el aparato parado. El botón de conexión/desconexión se halla bloqueado si el interruptor deslizante está en posición central.

### 6.5 Interruptor de conexión/desconexión (fig. 5/pos. 4)

Con el interruptor de conexión/desconexión es posible regular las revoluciones sin escalas. Un aumento de presión sobre el interruptor conlleva un aumento de velocidad del aparato.

### 6.6 Cambio de la 1ª a la 2ª velocidad (fig. 4/ pos. 7)

El aparato puede trabajar a una velocidad reducida o elevada, según la posición del conmutador de velocidades. Para evitar que el engranaje sufra daños el cambio de una velocidad a otra debería hacerse siempre estando el aparato desconectado.

### 6.7 Indicador de capacidad de batería (fig. 6/ pos. 2)

Pulsar el interruptor para acceder al indicador de capacidad de la batería (a). El indicador de capacidad de batería (2) le indica el estado de carga de la batería sirviéndose de 3 LEDs.

#### Los 3 LED están iluminados:

La batería está completamente cargada.

#### 2 LED están iluminados:

La batería dispone de suficiente carga residual.

#### 1 LED parpadea:

La batería está vacía, es preciso cargarla.

#### Todos los LED parpadean

La batería está muy descargada y defectuosa. Está prohibido emplear y cargar una batería defectuosa.

### 6.8 Luz LED (fig. 6/pos. 10)

La luz LED (10) ilumina los puntos de trabajo en caso de que no haya suficiente luz natural. La luz LED (10) se ilumina de forma automática en cuanto se pulsa el interruptor ON/OFF (4).

### 6.9 Cambio de herramienta (fig. 7)

¡Atención! Para efectuar cualquier trabajo (p. ej., cambio de herramienta; mantenimiento; etc.) en el atornillador con batería, colocar el interruptor de inversión de marcha (3) en la posición media.

- El atornillador con batería está dotado de un portabrocas de sujeción rápida (9) con bloqueo automático de husillo.
- Desenroscar el portabrocas (9). El orificio del portabrocas (a) debe ser lo suficientemente grande como para poder alojar la herramienta (broca o portatornillos).
- Elegir la herramienta adecuada. Introducir la herramienta al máximo posible en el orificio del portabrocas (a).
- Girar cerrando bien el portabrocas (9) y comprobar a continuación que la herramienta esté correctamente encajada.

### 6.10 Atornillar:

Se recomienda el uso de tornillos autocentrantes, (por ej. ranura en cruz) los cuales garantizan un seguridad de trabajo. Compruebe que el portatornillos y el tornillo utilizado coincidan en forma y tamaño. Ajuste el par según el tamaño del tornillo y como se indica en el manual de instrucciones.

## 7. Mantenimiento, limpieza y pedido de piezas de repuesto

### Peligro!

Desenchufar siempre antes de realizar algún trabajo de limpieza.

### 7.1 Limpieza

- Reducir al máximo posible la suciedad y el polvo en los dispositivos de seguridad, las rejillas de ventilación y la carcasa del motor. Frotar el aparato con un paño limpio o soplarlo con aire comprimido manteniendo la presión baja.
- Se recomienda limpiar el aparato tras cada uso.
- Limpiar el aparato con regularidad con un paño húmedo y un poco de jabón blando. No utilizar productos de limpieza o disolventes ya que se podrían deteriorar las piezas de plástico del aparato. Es preciso tener en cuenta que no entre agua en el interior del aparato. Si entra agua en el aparato eléctrico existirá mayor riesgo de una descarga eléctrica.

### 7.2 Mantenimiento

#### Escobillas de carbón

En caso de que se produzcan chispas excesivas, haga revisar las escobillas de carbón por un especialista o un técnico de servicio cualificado. Precaución. Las escobillas de carbón sólo pueden ser sustituidas en un taller especializado o por una persona cualificada.

### 7.3 Pedido de piezas de repuestos:

Al solicitar repuestos se indicarán los datos siguientes:

- Tipo de aparato
- No. de artículo del aparato
- No. de identidad del aparato
- No. de la pieza necesitada.



## 8. Eliminación y reciclaje

El aparato está protegido por un embalaje para evitar daños producidos por el transporte. Este embalaje es materia prima y, por eso, se puede volver a utilizar o llevar a un punto de reciclaje. El aparato y sus accesorios están compuestos de diversos materiales, como, p. ej., metal y plástico. Los aparatos defectuosos no deben tirarse a la basura doméstica. Para su eliminación adecuada, el aparato debe entregarse a una entidad recolectora prevista para ello. En caso de no conocer ninguna, será preciso informarse en el organismo responsable del municipio de su país.

## 9. Almacenamiento

Guardar el aparato y sus accesorios en un lugar oscuro, seco, protegido de las heladas e inaccesible para los niños. La temperatura de almacenamiento óptima se encuentra entre los 10 y 40 °C. Guardar la herramienta eléctrica en su embalaje original.

Sólo está permitido copiar la documentación y documentos anexos del producto, o extractos de los mismos, con autorización expresa de Einhell Germany AG.

Nos reservamos el derecho a realizar modificaciones técnicas.



## 10. Indicación cargador

Estado de indicación		Significado y medida
LED rojo	LED verde	
apagado	parpadea	<b>Listo para funcionamiento</b> El cargador está conectado a la red y listo para el funcionamiento, la batería no está en el cargador
encendido	apagado	<b>Carga</b> El cargador carga la batería en modo rápido.
apagado	encendido	La batería está cargada al 85% y se puede utilizar. Después se cambia a carga lenta hasta que la batería esté completamente cargada. <b>Medida:</b> Sacar la batería del cargador. Desconectar el cargador de la red.
parpadea	apagado	<b>Carga adaptada</b> El cargador se encuentra en el modo de carga lenta. Por motivos de seguridad, en este modo la batería se carga con mayor lentitud y tarda más de 1h. Esto puede deberse a las siguientes causas: - La batería ha estado sin cargarse durante mucho tiempo o se ha continuado descargando una batería agotada (descarga total) - La temperatura de la batería no se encuentra dentro de un rango óptimo entre 25° C y 45° C. <b>Medida:</b> Esperar hasta que el proceso de carga haya finalizado, la batería puede seguir cargándose.
parpadea	parpadea	<b>Fallo</b> El proceso de carga ya no es posible. La batería está defectuosa. <b>Medida:</b> Está prohibido cargar una batería defectuosa. Sacar la batería del cargador.
encendido	encendido	<b>Avería por temperatura</b> La batería está demasiado caliente (p. ej. por radiación solar directa) o demasiado fría (por debajo de 0° C) <b>Medida:</b> Sacar la batería y guardarla durante 1 día a temperatura ambiente (aprox. 20° C).

## 11. Información de servicio

En todos los países mencionados en el certificado de garantía disponemos de distribuidores competentes cuyos datos de contacto podrán consultar en dicho certificado. Dichos distribuidores están a su disposición para cualquier asunto relacionado con el servicio como reparación, suministro de piezas de repuesto y desgaste, o con respecto a los materiales de consumo.

Es preciso tener en cuenta, que las siguientes piezas de este producto se someten a desgaste natural o provocado por el uso o que se necesitan las siguientes piezas como materiales de consumo.

Categoría	Ejemplo
Piezas de desgaste*	Portabrocas, Batería
Material de consumo/Piezas de consumo*	Insertos de broca/ Brocas
Falta de piezas	

\*¡no tiene por qué estar incluido en el volumen de entrega!

En caso de fallas del producto, y si encuentra dificultades con nuestra red de asistencia técnica acreditada, contáctenos. Antes de hacer el contacto, le recomendamos que proporcione una descripción precisa del problema respondiendo las siguientes preguntas:

- ¿Ha funcionado el aparato en algún momento o estaba defectuoso desde el principio?
- ¿Le ha llamado algo la atención antes de surgir el fallo (indicio antes del fallo)?
- ¿Qué fallo de funcionamiento le parece que presenta el aparato (indicio principal)?
- Describa ese fallo en el funcionamiento.



**Danger!** - Lisez ce mode d'emploi pour diminuer le risque de blessures.



**Prudence! Portez une protection de l'ouïe.** L'exposition au bruit peut entraîner une perte de l'ouïe.



**Prudence! Portez un masque anti-poussière.** Lors de travaux sur du bois et autres matériaux, de la poussière nuisible à la santé peut être dégagée. Ne travaillez pas sur du matériau contenant de l'amiante !



**Prudence! Portez des lunettes de protection.** Les étincelles générées pendant travail ou les éclats, copeaux et la poussière sortant de l'appareil peuvent entraîner une perte de la vue.



Stockage des accumulateurs uniquement dans des pièces sèches à une température ambiante de +10 °C à +40 °C. Ne stockez les accumulateurs que lorsqu'ils sont chargés (charge min. 40 %).



Afin d'éviter d'endommager l'engrenage, le changement de vitesse doit se faire uniquement à l'arrêt.

**Danger !**

Lors de l'utilisation d'appareils, il faut respecter certaines mesures de sécurité afin d'éviter des blessures et dommages. Veuillez donc lire attentivement ce mode d'emploi/ces consignes de sécurité. Veillez à le conserver en bon état pour pouvoir accéder aux informations à tout moment. Si l'appareil doit être remis à d'autres personnes, veillez à leur remettre aussi ce mode d'emploi/ces consignes de sécurité. Nous déclinons toute responsabilité pour les accidents et dommages dus au non-respect de ce mode d'emploi et des consignes de sécurité.

**1. Consignes de sécurité****AVERTISSEMENT**

**Veillez lire toutes les consignes de sécurité, instructions, illustrations et caractéristiques techniques de cet outil électrique.** Toute omission lors du respect de l'instruction suivante peut entraîner une décharge électrique, un incendie et/ou de graves blessures.

**Conservez toutes les consignes de sécurité et toutes les instructions pour l'avenir.**

**Consignes de sécurité générales pour les outils électriques**

Le terme « outil électrique » utilisé dans les consignes de sécurité se réfère à des outils électriques qui fonctionnent sur secteur (avec câble réseau) ou à des outils électriques qui fonctionnent avec un accumulateur (sans câble réseau).

**1. Sécurité de la zone de travail**

- a) **Conserver la zone de travail propre et bien éclairée.** Les zones en désordre ou sombres sont propices aux accidents.
- b) **Ne pas faire fonctionner les outils électriques en atmosphère explosive, par exemple en présence de liquides inflammables, de gaz ou de poussières.** Les outils électriques produisent des étincelles qui peuvent enflammer les poussières ou les fumées.
- c) **Maintenez les enfants et autres personnes à distance pendant l'utilisation de l'outil électrique.** En cas d'inattention, vous pouvez perdre le contrôle de l'outil électrique.

**2. Sécurité électrique**

- a) **Il faut que les fiches de l'outil électrique soient adaptées au socle. Ne jamais modifier la fiche de quelque façon que ce soit. Ne pas utiliser d'adaptateurs avec des outils à branchement de terre.** Des fiches non modifiées et des socles adaptés réduiront le risque de choc électrique.
- b) **Eviter tout contact du corps avec des surfaces reliées à la terre telles que les tuyaux, les radiateurs, les cuisinières et les réfrigérateurs.** Il existe un risque accru de choc électrique si votre corps est relié à la terre.
- c) **Ne pas exposer les outils à la pluie ou à des conditions humides.** La pénétration d'eau à l'intérieur d'un outil augmentera le risque de choc électrique.
- d) **N'utilisez pas le câble de raccordement pour un autre emploi que celui prévu, pour porter l'outil électrique, l'accrocher ou débrancher la fiche de contact de la prise électrique. Éloignez le câble de raccordement de la chaleur, de l'huile, des arêtes acérées ou des pièces mobiles.** Des câbles de raccordement endommagés ou embrouillés augmentent le risque d'une décharge électrique.
- e) **Lorsque vous travaillez en plein air avec un outil électrique, n'utilisez que des rallonges adaptées pour l'extérieur.** L'utilisation d'une rallonge adaptée pour l'extérieur diminue le risque d'une décharge électrique.
- f) **Si l'usage d'un outil dans un emplacement humide est inévitable, utiliser une alimentation protégée par un dispositif à courant différentiel résiduel (RCD).** L'usage d'un RCD réduit le risque de choc électrique.

**3. Sécurité des personnes**

- a) **Rester vigilant, regarder ce que vous êtes en train de faire et faire preuve de bon sens dans votre utilisation de l'outil. Ne pas utiliser un outil lorsque vous êtes fatigué ou sous l'emprise de drogues, d'alcool ou de médicaments.** Un moment d'inattention en cours d'utilisation d'un outil peut entraîner des blessures graves des personnes.
- b) **Utiliser un équipement de sécurité. Toujours porter une protection pour les yeux.** Les équipements de sécurité tels que les

masques contre les poussières, les chaussures de sécurité antidérapantes, les casques ou les protections acoustiques utilisés pour les conditions appropriées réduiront les blessures de personnes.

- c) **Eviter tout démarrage intempestif. S'assurer que l'interrupteur est en position arrêt avant de brancher l'outil au secteur et/ou au bloc de batteries, de le ramasser ou de le porter.** Porter les outils en ayant le doigt sur l'interrupteur ou brancher des outils dont l'interrupteur est en position marche est source d'accidents.
  - d) **Enlevez les outils de réglage ou les clés à vis, avant de mettre l'outil électrique en marche.** Un outil ou une clé se trouvant dans une pièce rotative de l'outil électrique peut provoquer des blessures.
  - e) **Adoptez une position correcte. Veillez à avoir une position stable et constamment un bon équilibre.** De cette manière, vous pourrez mieux contrôler l'outil électrique dans des situations inattendues.
  - f) **Portez une tenue appropriée. Ne portez aucun vêtement large ou bijou. Éloignez les cheveux, les habits et les gants des pièces mobiles.** Les habits larges, les bijoux ou les cheveux longs peuvent être attrapés par des pièces mobiles.
  - g) **Lorsque des dispositifs d'aspiration ou de collecte de poussière peuvent être montés, branchez-les et utilisez-les correctement.** L'utilisation d'un dispositif d'aspiration de la poussière peut permettre d'éviter les risques dus à la poussière.
  - h) **Ne vous laissez pas bercer par un faux sentiment de sécurité et ne vous affranchissez pas des règles de sécurité pour les outils électriques, même si, après l'avoir utilisé plusieurs fois, vous connaissez l'outil.** Tout manque d'attention peut entraîner de graves blessures en quelques fractions de seconde.
- 4. Utilisation et prise en main de l'outil électrique**
- a) **Ne surchargez pas l'outil électrique. Utilisez l'outil électrique correspondant à votre type de travail.** Vous travaillerez mieux et plus sûrement avec le bon outil électrique dans le domaine de puissance indiqué.
  - b) **N'utilisez pas d'outil électrique dont l'interrupteur est défectueux.** Un outil électrique impossible à mettre en ou hors circuit est dangereux et doit être réparé.
- c) **Débranchez l'outil de la prise de courant et/ou enlevez l'accumulateur avant de procéder à des réglages sur l'appareil, de changer des accessoires ou de ranger l'outil électrique.** Ces mesures de précaution permettent d'éviter un démarrage involontaire de l'outil électrique.
  - d) **Conservez les outils électriques hors de portée des enfants. Empêchez les personnes qui ne connaissent pas l'outil électrique ainsi que celles qui n'ont pas lu ces instructions d'utiliser celui-ci.** Les outils électriques sont dangereux lorsqu'ils sont utilisés par des personnes inexpérimentées.
  - e) **Entretenez les outils électriques et les outils d'insert avec soin. Contrôlez si les pièces mobiles de l'appareil fonctionnent sans problème et ne coinent pas, si des pièces sont cassées, ou si endommagées que le fonctionnement de l'outil électrique s'en trouve altéré. Faites réparer les pièces endommagées avant d'utiliser l'outil électrique.** Beaucoup d'accidents trouvent leur origine dans des outils électriques mal entretenus.
  - f) **Gardez les outils de coupe propres et aiguisés.** Un outil de coupe soigneusement entretenu dont les arêtes de coupe sont vives coince moins souvent et est plus facile à guider.
  - g) **Utilisez les outils électriques, les accessoires, les outils d'insert en respectant ces instructions. Tenez compte ce-faisant des conditions de travail et du travail à exécuter.** L'utilisation d'outils électriques pour d'autres applications que celles prévues peut entraîner des situations dangereuses.
  - h) **Maintenez les poignées et les surfaces de poignées sèches, propres et exemptes d'huile et de graisse.** Des poignées et surfaces de poignées glissantes ne permettent pas une commande et un contrôle sûrs de l'outil électrique dans les situations imprévues.
- 5. Utilisation et prise en main de l'outil sans fil**
- a) **Ne chargez les accumulateurs que dans les chargeurs recommandés par le fabricant.** Lorsqu'on utilise un chargeur adapté pour un certain type d'accumulateurs avec des accumulateurs différents, il y a risque d'incendie.

- b) **N'utilisez pour les outils électriques que les accumulateurs prévus à cet effet.**  
L'utilisation d'autres accumulateurs peut entraîner des blessures et un risque d'incendie.
- c) **Maintenez l'accumulateur à distance de trombones, pièces de monnaie, clés, clous, vis ou autres petits objets métalliques, qui pourraient provoquer un pontage des contacts.** Un court-circuit entre les contacts de l'accumulateur peut avoir pour conséquence des brûlures ou un incendie.
- d) **Lorsqu'un accumulateur est mal employé, il peut perdre du liquide. Evitez tout contact avec ce liquide. En cas de contact par mégarde, rincez à l'eau claire. Si du liquide entre en contact avec vos yeux, consultez aussi un cabinet médical.** Du liquide qui s'échappe d'un accumulateur peut causer des irritations de la peau ou des brûlures.
- e) **N'utilisez pas d'accumulateur endommagé ou modifié.** Les accumulateurs endommagés ou modifiés peuvent avoir un comportement imprévisible et entraîner un incendie, une explosion ou un risque de blessure.
- f) **N'exposez jamais un accumulateur à un feu ou à des températures excessives.** Le feu ou les températures supérieures à 130 °C peuvent entraîner une explosion.
- g) **Suivez toutes les consignes de chargement et ne chargez jamais l'accumulateur ou l'outil sans fil hors de la plage de température indiquée dans le mode d'emploi.** Un chargement incorrect ou un chargement hors de la plage de température admissible peut détruire l'accumulateur et augmenter le risque d'incendie.

#### 6. Maintenance et entretien

- a) **Faire entretenir l'outil par un réparateur qualifié utilisant uniquement des pièces de rechange identiques.** Cela assurera que la sécurité de l'outil est maintenue.
- b) **N'effectuez jamais la maintenance des accumulateurs endommagés.** Seul le fabricant ou des services clients habilités peuvent procéder à la maintenance des accumulateurs.

#### Consignes de sécurité pour les perceuses

##### Consignes de sécurité pour tous les travaux

- **Portez une protection de l'ouïe lors du perçage à percussion.** L'exposition au bruit peut entraîner une perte de l'ouïe.

- **Tenez l'outil électrique par les poignées isolées lorsque vous réalisez des travaux pour lesquels l'outil employé est susceptible de toucher des câbles électriques cachés ou le propre câble de raccordement.** Le contact avec une conduite conductrice de tension peut également mettre sous tension des pièces en métal de l'appareil et entraîner une décharge électrique.

#### Consignes de sécurité en cas d'utilisation de forets longs

- a) **Ne travaillez en aucun cas avec une vitesse de rotation supérieure à la vitesse de rotation maximum autorisée pour le foret.**  
Dans le cas de vitesses de rotation élevées, le foret peut se déformer légèrement, lorsqu'il peut tourner librement sans contact avec la pièce à usiner et entraîner des blessures.
- b) **Commencez toujours à percer avec une faible vitesse de rotation et pendant que le foret est en contact avec la pièce à usiner.** Dans le cas de vitesses de rotation élevées, le foret peut se déformer légèrement, lorsqu'il peut tourner librement sans contact avec la pièce à usiner et entraîner des blessures.
- c) **N'exercez aucune pression excessive et seulement dans le sens longitudinal par rapport au foret.** Les forets peuvent se déformer et ainsi se casser ou entraîner une perte de contrôle et des blessures.

#### Consignes de sécurité spéciales

Nous attachons un très grand soin à la constitution de chaque bloc accumulateur pour pouvoir vous redonner des accumulateurs présentant une densité énergétique, une longévité et une sécurité maximales. Les cellules d'accumulateur disposent de dispositifs de sécurité multiniveau. Chaque cellule est tout d'abord formée et ses caractéristiques électriques sont enregistrées. Ces données sont ensuite utilisées pour pouvoir regrouper les blocs accumulateurs aussi bien que possible. **Malgré toutes les mesures de sécurité, la prudence est toujours de rigueur lors du maniement des accumulateurs. Pour assurer un fonctionnement sûr, respectez absolument les points suivants. Le fonctionnement sûr est uniquement garanti avec des cellules non endommagées ! Une mauvaise manipulation endommage les cellules.**

**Attention !** Des analyses confirment qu'une

grossière faute d'utilisation et un mauvais entretien sont la principale cause des dommages engendrés par des accumulateurs de grande performance.

#### Consignes relatives à l'accumulateur

1. Le bloc accumulateur de l'appareil à accumulateur n'est pas chargé lors de la livraison. L'accumulateur doit être chargé avant la première mise en service.
2. Pour obtenir une performance optimale de l'accumulateur, évitez les cycles de décharge profonde ! Chargez fréquemment votre accumulateur.
3. Stockez votre accumulateur au frais, de préférence à 15°C, et chargé à au moins 40%.
4. Les batteries lithium-ion sont sujettes à un vieillissement naturel. Remplacez l'accumulateur au plus tard lorsque la performance de l'accumulateur ne correspond plus qu'à 80% de l'état neuf ! Les cellules affaiblies dans un bloc accumulateur vieilli ne répondent plus aux exigences élevées et constituent ainsi un risque pour la sécurité.
5. Ne jetez pas les accumulateurs usagés au feu. Danger d'explosion !
6. Il ne faut pas mettre le feu à l'accumulateur ni le soumettre à la combustion.
7. **Ne pas décharger les accumulateurs en profondeur !**  
La décharge profonde endommage les cellules d'accumulateur. La cause la plus fréquente de la décharge profonde de blocs accumulateurs est le stockage ou la non-utilisation prolongée d'accumulateurs partiellement déchargés. Arrêtez le travail que la puissance baisse sensiblement ou lorsque le système électronique de protection se déclenche. Stockez l'accumulateur uniquement après l'avoir entièrement chargé.
8. **Protégez les accumulateurs et l'appareil de la surcharge !**  
La surcharge conduit rapidement à une surchauffe et à un endommagement des cellules à l'intérieur du boîtier de l'accumulateur sans que cette surchauffe ne soit perceptible.
9. **Évitez les détériorations et les chocs !**  
Remplacez immédiatement les accumulateurs ayant subi une chute de plus de 1 m ou ayant été soumis à des chocs violents, même si le boîtier du bloc accumulateur ne semble pas être endommagé. Les cellules d'accumulateur peuvent être sérieusement endommagées à l'intérieur. Veuillez également respecter à ce propos les consignes

d'élimination.

10. En cas de surcharge et de surchauffe, le circuit de protection intégré coupe l'appareil pour des raisons de sécurité. **Attention!** N'actionnez plus l'interrupteur Marche / Arrêt, lorsque le circuit protecteur a mis l'appareil hors circuit. Ceci peut endommager l'accumulateur.
11. Utilisez exclusivement des accumulateurs d'origine. L'utilisation d'autres accumulateurs peut entraîner des blessures, à l'explosion et à un risque d'incendie.
12. **Protégez l'accumulateur contre l'humidité, la pluie et une forte humidité de l'air.** L'humidité, la pluie et une forte humidité de l'air peuvent entraîner des détériorations dangereuses des piles. Ne chargez pas, ne travaillez pas avec des accumulateurs qui ont été exposés à l'humidité, à la pluie ou à une forte humidité de l'air, remplacez-les immédiatement.
13. Si votre appareil est équipé d'une batterie amovible, retirez-la de votre appareil à la fin de votre travail pour des raisons de sécurité.

#### Consignes relatives au chargeur et au processus de charge

1. Respectez les données indiquées sur la plaque signalétique du chargeur. Raccordez le chargeur uniquement à la tension d'alimentation indiquée sur plaque signalétique.
2. Protégez le chargeur et le câble de tout endommagement et des arêtes acérées. Faites immédiatement remplacer les câbles endommagés par un(e) électricien(ne) spécialisé(e).
3. Gardez le chargeur, l'accumulateur et l'appareil à accumulateur hors de portée des enfants.
4. N'utilisez pas de chargeurs endommagés.
5. N'utilisez pas le chargeur livré pour charger d'autres appareils à accumulateur.
6. Le bloc accumulateur s'échauffe lors d'une forte sollicitation. Laissez le bloc accumulateur se mettre à température ambiante avant le début de la recharge.
7. **Ne surchargez pas les accumulateurs!** Respectez les temps de charge maximum. Ces temps de charge s'appliquent uniquement aux accumulateurs déchargés. Enficher plusieurs fois un accumulateur chargé ou partiellement chargé conduit à une surcharge et à un endommagement des cellules. Ne laissez jamais les accumulateurs enfichés dans le chargeur pendant plusieurs jours.

8. **N'utilisez et ne chargez jamais des accumulateurs, dont vous pensez que la dernière charge remonte à plus de 12 mois.** Il est fort probable que l'accumulateur soit déjà dangereusement endommagé (décharge profonde).
9. Effectuer une charge à une température inférieure à 10°C conduit à un dommage chimique de la cellule et peut entraîner un incendie.
10. N'utilisez pas d'accumulateurs qui se sont échauffés pendant la charge, étant donné que les cellules d'accumulateur peuvent avoir été endommagées dangereusement.
11. N'employez plus les accumulateurs qui se sont bombés ou déformés lors de la charge ou qui présentent d'autres signes inhabituels (dégagement de gaz, sifflement, craquement, etc.).
12. Ne déchargez pas complètement l'accumulateur (profondeur de décharge maximale recommandée 80%). La décharge complète entraîne un vieillissement prématuré des cellules d'accumulateur.
13. Ne chargez jamais les batteries sans surveillance!

#### **Protection contre les influences de l'environnement**

1. Portez une tenue de travail appropriée. Portez des lunettes de protection.
2. **Protégez votre appareil à accumulateur et le chargeur de l'humidité et de la pluie.** L'humidité et la pluie peuvent entraîner des dommages dangereux au niveau des cellules.
3. N'utilisez pas l'appareil à accumulateur et le chargeur à proximité de vapeurs et de liquides combustibles.
4. Utilisez le chargeur et les appareils à accumulateurs uniquement à l'état sec et avec une température ambiante de 10-40° C.
5. Ne conservez pas l'accumulateur dans un endroit dont la température peut atteindre plus de 40° C, tout particulièrement dans une voiture garée au soleil.
6. **Protégez les accumulateurs de la surchauffe !** Toute surcharge ou ensoleillement conduit à une surchauffe et à un endommagement des cellules. Ne chargez et ne travaillez jamais avec des accumulateurs, surchauffés – remplacez-les immédiatement.
7. **Stockage d'accumulateurs, des chargeurs et de l'appareil à accumulateur.** Entreposez le chargeur et votre appareil à accumulateur uniquement dans des salles sèches avec une température ambiante de

10-40°C. Stockez la batterie lithium-ion à un endroit frais et sec à 10-20°C. Protégez-la de l'humidité de l'air et des rayons du soleil ! Stockez uniquement les accumulateurs chargés. (charge mini. 40%)

8. Evitez que la batterie lithium-ion gèle. Mettez au rebut les accumulateurs qui ont été stockés pendant plus de 60 minutes à une température inférieure à 0°C.
9. Faites attention à la charge électrostatique lors du maniement des accumulateurs : les décharges électrostatiques endommagent le système électronique de protection et les cellules d'accumulateur ! Evitez par conséquent la charge électrostatique et ne touchez jamais les pôles de l'accumulateur !

Les accumulateurs et les appareils électriques fonctionnant avec accumulateur contiennent des matériaux dangereux pour l'environnement. Ne jetez pas les accumulateurs et les appareils fonctionnant avec accumulateur dans les ordures ménagères.

Pour une mise au rebut conforme aux règles de l'art, l'accumulateur doit être déposé dans un centre de collecte approprié. Si vous ne connaissez pas de centre de collecte, veuillez-vous renseigner auprès de l'administration de votre commune.

**Pour un envoi correct d'accumulateurs Li-Ions défectueux/endommagés, nous vous prions de contacter notre service après-vente ou le point de vente où vous avez acheté l'appareil.**

**Veillez à ce que, lors de l'envoi ou de la mise au rebut, les accumulateurs ou les appareils sans fil soit emballés séparément dans des sacs en plastique afin d'éviter les courts-circuits ou un incendie !**

**Conservez bien ces consignes de sécurité.**



## 2. Description de l'appareil et volume de livraison

### 2.1 Description de l'appareil (figure 1)

1. Réglage du couple de serrage
2. Affichage de la capacité de l'accumulateur
3. Interrupteur de sens de rotation
4. Interrupteurs marche/arrêt
5. Batterie (non fourni)
6. Chargeur (non fourni)
7. Commutateur 1e vitesse – 2e vitesse
8. Touche à cran
9. Mandrin à serrage rapide
10. Lampe DEL
11. Commutateur vissage/perçage/perçage à percussion

### 2.2 Volume de livraison

Veillez contrôler si l'article est complet à l'aide de la description du volume de livraison. S'il manque des pièces, adressez-vous dans un délai de 5 jours maximum après votre achat à notre service après-vente ou au magasin où vous avez acheté l'appareil muni d'une preuve d'achat valable. Veuillez consulter pour cela le tableau des garanties dans les informations service après-vente à la fin du mode d'emploi.

- Ouvrez l'emballage et prenez l'appareil en le sortant avec précaution de l'emballage.
- Retirez le matériel d'emballage tout comme les sécurités d'emballage et de transport (s'il y en a).
- Vérifiez si la livraison est bien complète.
- Contrôlez si l'appareil et ses accessoires ne sont pas endommagés par le transport.
- Conservez l'emballage autant que possible jusqu'à la fin de la période de garantie.

### Danger !

**L'appareil et le matériel d'emballage ne sont pas des jouets ! Il est interdit de laisser des enfants jouer avec des sacs et des films en plastique et avec des pièces de petite taille. Ils risquent de les avaler et de s'étouffer !**

- Perceuse-visseuse sans fil
- Mode d'emploi d'origine


## 3. Utilisation conforme à l'affectation

La perceuse sans fil convient au vissage et dévissage de vis dans le bois, ainsi qu'au perçage dans le bois, le métal et le plastique.

La machine doit exclusivement être employée conformément à son affectation. Chaque utilisation allant au-delà de cette affectation est considérée comme non conforme. Pour les dommages en résultant ou les blessures de tout genre, le producteur décline toute responsabilité et l'opérateur/l'exploitant est responsable.

Veillez au fait que nos appareils, conformément à leur affectation, n'ont pas été construits, pour être utilisés dans un environnement professionnel, industriel ou artisanal. Nous déclinons toute responsabilité si l'appareil est utilisé professionnellement, artisanalement ou dans des sociétés industrielles, tout comme pour toute activité équivalente.

## 4. Données techniques

Alimentation en courant, moteur ..... 18 V   
 Vitesse de rotation  
 de marche à vide : ..... 0-350 / 0-1250 tr/min  
 Nombre de percussions :  
 ..... max. 5250 / 18750 p.p.m  
 Niveau de couple de rotation : ..... 18+1+1  
 Rotation vers la droite et vers la gauche ..... oui  
 Capacité du serrage du mandrin ..... 2-13 mm  
 Diamètre max. de vis : ..... 6 mm  
 Poids ..... 1,1 kg

### Limitez le niveau sonore et les vibrations à un minimum !

- Utilisez exclusivement des appareils en excellent état.
- Entretenez et nettoyez l'appareil régulièrement.
- Adaptez votre façon de travailler à l'appareil.
- Ne surchargez pas l'appareil.
- Faites contrôler l'appareil le cas échéant.
- Mettez l'appareil hors circuit lorsque vous ne l'utilisez pas.

### Risques résiduels

**Même en utilisant cet outil électrique conformément aux prescriptions, il reste toujours des risques résiduels. Les dangers suivants peuvent apparaître en rapport avec la construction et le modèle de cet outil électrique :**

1. Lésions des poumons si aucun masque anti-poussière adéquat n'est porté.
2. Déficience auditive si aucun casque anti-bruit approprié n'est porté.
3. Atteintes à la santé issues des vibrations main-bras, si l'appareil est utilisé pendant une longue période ou s'il n'a pas été employé ou entretenu dans les règles de l'art.

### Limitez votre temps de travail.

Toutes les parts du cycle de fonctionnement doivent être alors prises en considération (par exemple les temps pendant lesquels l'outil électrique est hors circuit et ceux pendant lesquels il est en circuit, mais sans charge en cours).

## 5. Avant la mise en service

Avant la mise en service de votre tournevis électrique sans fil, lisez ces remarques :

1. Chargez l'accumulateur avec le chargeur livré.
2. Utilisez uniquement des forets pointus tout comme des embouts de tournevis irréprochables et adéquats.
3. Lors du perçage et du vissage dans des parois et murs, contrôlez s'il y a des conduites de courant, de gaz ou d'eau cachées.

## 6. Commande

### 6.1 Chargement du bloc accumulateur LI (fig. 2-3)

1. Tirez le bloc accumulateur (5) hors de sa poignée, en appuyant sur les touches à cran (8) vers le bas.
2. Comparez si la tension du secteur indiquée sur la plaque signalétique correspond à la tension réseau disponible. Branchez la fiche de contact du chargeur (6) dans la prise de courant. Le voyant LED vert commence à clignoter.
3. Insérez l'accumulateur sur le chargeur.

Au point 10 (affichage chargeur), vous trouverez un tableau avec les significations des affichages LED sur le chargeur.

Si la charge du paquet accumulateur n'est pas possible, vérifiez

- que la prise de courant est sous tension
- que les contacts du chargeur sont fiables.

S'il n'est toujours pas possible de charger le paquet accumulateur, nous vous prions d'envoyer

- le chargeur
  - et le paquet accumulateur
- à notre station de service après-vente.

Dans l'intérêt d'une longue durée de fonctionnement du bloc accumulateur, vous devez prendre soin de recharger le bloc accumulateur en temps voulu. Ceci est dans tous les cas indispensable lorsque vous constatez une diminution de la puissance de l'appareil. Ne déchargez jamais complètement le bloc accumulateur. Ceci cause l'endommagement du bloc accumulateur !

### 6.2 Réglage du couple de rotation (fig. 4/pos. 1)

**Attention ! Ne réglez la bague de réglage pour le couple de serrage qu'à l'arrêt de la machine.**

Le tournevis sans fil est doté d'un réglage mécanique du couple de rotation.

Le couple de rotation pour une taille définie de vis est réglable par la molette de réglage (1). Le couple de rotation dépend de plusieurs facteurs:

- de la sorte et dureté du matériau à traiter
- de la sorte et longueur des vis utilisées
- des exigences auxquelles doivent répondre les unions vissées

Si le couple de rotation est atteint, un grincement indique que le désaccouplement est effectué.

### 6.3 Commutateur vissage/perçage/perçage à percussion (fig. 4/pos. 11)

- Pour le vissage, placez le commutateur (11) sur le cran « vis ». Le couple se règle en fonction du réglage du couple (1) (cf. point 6.2).
- Pour le vissage, placez le commutateur (11) sur le cran « perçage ». L'accouplement à glissement est désactivé et le couple maximal est disponible indépendamment du réglage du couple (1).
- Pour le perçage à percussion, placez le commutateur (11) sur le cran « percussion ».

L'accouplement à glissement est désactivé et le couple maximal est disponible indépendamment du réglage du couple (1).

#### **6.4 Commutateur de sens de rotation (fig. 5/pos. 3)**

L'interrupteur à coulisse au-dessus de l'interrupteur Marche/Arrêt vous permet de choisir le sens de rotation de la perceuse-visseuse à accumulateur et d'éviter un démarrage intempestif. Vous pouvez sélectionner la rotation vers la gauche ou vers la droite. Pour prévenir un endommagement de l'engrenage, ne commutez le sens de rotation qu'à l'arrêt. Dans le cas où l'interrupteur à coulisse se trouve dans la position centrale, l'interrupteur Marche/Arrêt est bloqué.

#### **6.5 Interrupteur Marche/Arrêt (fig. 5/pos. 4)**

L'interrupteur Marche/Arrêt permet le réglage en continu de la vitesse. Le plus fort vous appuyez sur l'interrupteur.

#### **6.6 Commutation de vitesse 1 à vitesse 2 (fig. 4/pos. 7)**

Selon la position du commutateur, vous pouvez travailler à une vitesse élevée ou réduite. Pour éviter une détérioration de l'engrenage, il est conseillé de commuter la vitesse uniquement pendant l'arrêt de l'appareil.

#### **6.7 Affichage de la capacité de la batterie (fig. 6/pos. 2)**

Appuyez sur l'interrupteur pour afficher la capacité de l'accumulateur (a). L'affichage de la capacité de l'accumulateur (2) vous indique l'état de charge de l'accumulateur au moyen de 3 DEL.

#### **Toutes les 3 DEL sont allumées :**

L'accumulateur est entièrement chargé.

#### **2 ou 1 voyant LED est (sont) allumé(s)**

L'accumulateur dispose encore d'un résidu de charge suffisant.

#### **1 voyant LED clignote :**

L'accumulateur est vide, il faut le recharger.

#### **Tous les voyants LED clignotent :**

L'accumulateur a subi une décharge profonde et est défectueux. Un accumulateur défectueux ne doit plus être utilisé et rechargé !

#### **6.8 Voyant DEL (figure 6/pos. 10)**

La lampe DEL (10) permet d'éclairer la zone de vissage et de perçage en cas de conditions

de luminosité défavorables. La lampe DEL (10) s'allume automatiquement, dès que vous appuyez sur l'interrupteur marche/arrêt (4).

#### **6.9 Changement d'outils (figure 7)**

**Attention !** Pour tous travaux (p. ex. changement d'outils ; maintenance ; etc.) sur le tournevis sans fil, placez l'interrupteur de sens de rotation (3) en position médiane.

- Le tournevis sans fil est équipé d'un mandrin à serrage rapide (9) avec blocage de broche automatique.
- Dévissez le mandrin (9). L'ouverture du mandrin (a) doit être suffisamment grande pour pouvoir loger l'embout (foret ou encore bit de vissage).
- Sélectionnez l'outil adéquat. Poussez l'embout le plus loin possible dans l'ouverture du mandrin (a).
- Refermez à fond le mandrin (9) et vérifiez ensuite si l'embout tient bien.

#### **6.10 Vissage:**

Utilisez de préférence des vis à centrage automatique (p.ex. à tête cruciforme) ce qui assure le travail en toute sécurité. Veillez à ce que la forme et la taille du bit et de la vis utilisés soient conformes. Effectuez le réglage du couple de rotation comme décrit dans l'instruction - en fonction de la taille des vis.

## **7. Nettoyage, maintenance et commande de pièces de rechange**

### **Danger !**

Débranchez l'accumulateur avant tous travaux de nettoyage.

#### **7.1 Nettoyage**

- Maintenez les dispositifs de protection, les fentes à air et le carter de moteur aussi propres (sans poussière) que possible. Frottez l'appareil avec un chiffon propre ou soufflez dessus avec de l'air comprimé à basse pression.
- Nous recommandons de nettoyer l'appareil directement après chaque utilisation.
- Nettoyez l'appareil régulièrement à l'aide d'un chiffon humide et un peu de savon. N'utilisez aucun produit de nettoyage ni détergeant; ils pourraient endommager les pièces en matières plastiques de l'appareil. Veillez à

ce qu'aucune eau n'entre à l'intérieur de l'appareil. La pénétration de l'eau dans un appareil électrique augmente le risque de décharge électrique.

### 7.2 Maintenance

Aucune pièce à l'intérieur de l'appareil n'a besoin de maintenance.

### 7.3 Commande de pièces de rechange et d'accessoires :

Veillez indiquer ce qui suit pour toute commande de pièces de rechange ;

- Type de l'appareil
- Référence de l'appareil
- Numéro d'identification de l'appareil
- Numéro de la pièce de rechange requise

Toute réimpression ou autre reproduction de la documentation et des papiers joints aux produits, même sous forme d'extraits, est uniquement permise une fois l'accord explicite de l'Einhell Germany AG obtenu.

Sous réserve de modifications techniques.

## 8. Mise au rebut et recyclage

L'appareil se trouve dans un emballage permettant d'éviter les dommages dus au transport. Cet emballage est une matière première et peut donc être réutilisé ultérieurement ou être réintroduit dans le circuit des matières premières. L'appareil et ses accessoires sont en matériaux divers, comme par ex. des métaux et matières plastiques. Les appareils défectueux ne doivent pas être jetés dans les poubelles domestiques. Pour une mise au rebut conforme à la réglementation, l'appareil doit être déposé dans un centre de collecte approprié. Si vous ne connaissez pas de centre de collecte, veuillez vous renseigner auprès de l'administration de votre commune.

## 9. Stockage

Entreposez l'appareil et ses accessoires dans un endroit sombre, sec et à l'abri du gel tout comme inaccessible aux enfants. La température de stockage optimale est comprise entre 10 et 40 °C. Conservez l'outil électrique dans l'emballage d'origine.

## 10. Affichage chargeur

État de l'affichage		Signification et mesures
Voyant LED rouge	Voyant LED vert	
Arrêt	Clignote	<b>État prêt à l'emploi</b> Le chargeur est raccordé au réseau et est prêt à l'emploi, la batterie n'est pas dans le chargeur.
Marche	Arrêt	<b>Chargement</b> Le chargeur charge la batterie en mode de charge rapide.
Arrêt	Marche	La batterie est chargée à 85 % et prête à l'emploi. L'appareil passe ensuite en mode de charge douce jusqu'à ce que la batterie soit complètement chargée. Action : Retirez la batterie du chargeur. Débranchez le chargeur du secteur.
Clignote	Arrêt	<b>Charge d'adaptation</b> Le chargeur est en mode de charge lente. Dans ce cas, la batterie se charge plus lentement pour des raisons de sécurité et nécessite plus de temps. Cela peut avoir les causes suivantes : - L'accumulateur n'a pas été rechargé depuis longtemps. - La température de la batterie ne se trouve pas dans la zone idéale <b>Mesures :</b> Attendez jusqu'à ce que le processus de charge soit terminé, la batterie peut quand même encore être rechargée.
Clignote	Clignote	<b>Erreur</b> Le processus de charge n'est plus possible. La batterie est défectueuse. <b>Mesures :</b> Une batterie défectueuse ne doit plus être rechargée. Retirez la batterie du chargeur.
Marche	Marche	<b>Perturbation thermique</b> La batterie est trop chaude (par ex. exposition directe au soleil) ou trop froide (en dessous de 0 °C) <b>Mesures :</b> Retirez la batterie et conservez-la un jour à température ambiante (env. 20 °C).

## 11. Informations service après-vente

Nous disposons dans tous les pays mentionnés dans le bon de garantie de partenaires de service après-vente compétents dont vous trouverez les coordonnées dans le bon de garantie. Ceux-ci se tiennent à votre disposition pour tout ce qui concerne le service après-vente comme les réparations, l'approvisionnement en pièces de rechange et d'usure ou l'achat de pièces de consommation.

Il faut tenir compte du fait que pour ce produit les pièces suivantes sont soumises à une usure liée à l'utilisation ou à une usure naturelle ou que les pièces suivantes sont nécessaires en tant que consommables.

Catégorie	Exemple
Pièces d'usure*	mandrin de perceuse, accumulateur
Matériel de consommable/ pièces de consommable*	embouts bit/forets
Pièces manquantes	

\*Pas obligatoirement compris dans la livraison !

En cas de vices ou de défauts, nous vous prions d'enregistrer le cas du défaut sur internet à l'adresse [www.Einhell-Service.com](http://www.Einhell-Service.com). Veuillez donner une description précise du défaut et répondre dans tous les cas aux questions suivantes :

- est-ce que l'appareil a fonctionné une fois ou était-il défectueux dès le départ ?
- avez-vous remarqué quelque chose avant la panne (symptôme avant la panne) ?
- quel est le défaut de fonctionnement de l'appareil à votre avis (symptôme principal) ?  
Décrivez ce défaut de fonctionnement.



**Aviso – Leia o manual de instruções para reduzir o risco de ferimentos.**



**Use proteção auricular.** O ruído pode provocar perda auditiva.



**Use máscara de proteção contra o pó.** Durante os trabalhos em madeira e outros materiais pode haver formação de pó prejudicial à saúde. Os materiais que contenham amianto não devem ser trabalhados!



**Use óculos de proteção.** As faíscas produzidas durante o trabalho ou as aparas, os estilhaços e a poeira que saem do aparelho, podem provocar danos à visão.



A velocidade só pode ser comutada com a ferramenta parada a fim de evitar danos na engrenagem.



Armazenar as baterias apenas em espaços secos com uma temperatura ambiente de +10°C até +40°C. Guarde as baterias apenas se estiverem carregadas (no mín. 40% de carga).

**Atenção!** Ao utilizar ferramentas, devem ser respeitadas algumas medidas de segurança para prevenir acidentes e/ou danos. Portanto, leia atentamente este manual de instruções. Guarde-o em um local seguro, para que se possa consultar a qualquer momento. Caso o aparelho seja utilizado por terceiros, entregue também este manual de instruções.

Não nos responsabilizamos pelos acidentes e/ou danos causados pela não observância deste manual e das instruções de segurança.

## 1. Instruções de segurança

### ⚠ Perigo!

**Leia todas as instruções de segurança e indicações.**

O não cumprimento das instruções de segurança e indicações pode provocar choques elétricos, incêndios e/ou ferimentos graves.

**Guarde todas as instruções de segurança e indicações para consultar a qualquer momento.**

### Instruções de segurança gerais relativas a ferramentas elétricas

#### ⚠ Aviso!

A designação "ferramenta elétrica" usada nas instruções de segurança refere-se às ferramentas alimentadas por corrente elétrica (com cabo elétrico) e às ferramentas alimentadas por bateria (sem cabo elétrico)

#### 1. Segurança no local de trabalho

- Mantenha a sua área de trabalho limpa e bem iluminada.** Áreas de trabalho desarrumadas ou com pouca iluminação aumentam o perigo de acidentes.
- Não utilize a ferramenta elétrica em ambientes potencialmente explosivos, onde haja líquidos, gases ou poeiras inflamáveis.** As ferramentas elétricas produzem faíscas que podem inflamar o pó ou os vapores.
- Mantenha as crianças e outras pessoas afastadas durante a utilização da ferramenta elétrica.** Uma distração pode fazê-lo perder o controle do aparelho.

#### 2. Segurança elétrica

- O plugue de ligação da ferramenta elétrica tem de ser compatível com a tomada. O plugue nunca pode ser alterado. Não**

**utilize plugues adaptadores em conjunto com ferramentas elétricas com ligação à terra.** Plugues não alterados e tomadas de energia compatíveis diminuem o risco de choque elétrico.

- Evite o contato físico com as superfícies ligadas à terra, como tubos, aquecimentos, fogões, frigoríficos.** Existe um maior risco de choque elétrico, se o seu corpo estiver em contato com a terra.
- Mantenha as ferramentas elétricas afastadas da chuva e da umidade.** A entrada de água no aparelho elétrico aumenta o risco de choque elétrico.
- Não utilize o cabo para outro fim que não o previsto, como para transportar ou pendurar a ferramenta elétrica ou para retirar o plugue da tomada. Mantenha o cabo afastado de fontes de calor, do óleo, das arestas vivas ou das partes móveis do aparelho.** Cabos danificados ou emaranhados aumentam o risco de choque elétrico.
- Se trabalhar com uma ferramenta elétrica ao ar livre, use somente cabos de extensão adequados para o exterior.** A utilização de um cabo de extensão adequado para o exterior diminui o risco de choque elétrico.
- Se não for possível evitar a utilização da ferramenta elétrica em um ambiente úmido, use um disjuntor de corrente diferencial residual.** A utilização de um disjuntor de corrente diferencial residual diminui o risco de choque elétrico.

#### 3. Segurança das pessoas

- Esteja sempre atento, preste atenção ao que está fazendo e proceda de modo sensato com uma ferramenta elétrica. Não utilize a ferramenta elétrica, se estiver cansado ou sob a influência de drogas, álcool ou de medicamentos.** Um momento de distração durante a utilização da ferramenta elétrica pode causar ferimentos graves.
- Use equipamento de proteção individual e use sempre óculos de proteção.** O uso de equipamento de proteção individual, como máscara de proteção contra o pó, calçado de segurança antiderrapante, capacete de proteção ou proteção auditiva, de acordo com o tipo e utilização de ferramenta elétrica, diminui o risco de ferimentos.
- Evite uma colocação em funcionamento inadvertida. Assegure-se de que a ferra-**



- menta elétrica está desligada antes de pegá-la, de transportá-la ou ligá-la à rede de energia elétrica e/ou à bateria. Se o dedo estiver no interruptor ao transportar a ferramenta elétrica ou se esta estiver ligada quando conectada à tomada, há o risco de acidente.
- d) **Antes de ligar a ferramenta elétrica, retire as ferramentas de ajuste ou as chaves de parafusos.** Uma ferramenta ou chave, em uma peça em rotação do aparelho, pode provocar ferimentos.
- e) **Evite posições inadequadas. Certifique-se de que está numa posição segura e mantenha sempre o equilíbrio.** Dessa forma, pode controlar melhor a ferramenta elétrica em situações inesperadas.
- f) **Use vestuário adequado. Não use roupa larga ou joia. Mantenha o cabelo, o vestuário e as luvas afastados das peças em movimento.** O vestuário largo, as joias ou o cabelo comprido podem ser apanhados pelas peças em movimento.
- g) **Se puderem ser montados dispositivos de aspiração de pó ou dispositivos de recolha de pó certifique-se de que estes estão ligados e são usados corretamente.** A utilização de um aspirador de pó diminui os perigos provocados pelo pó.
- h) **Não confie numa falsa segurança e não ignore as regras de segurança relativas às ferramentas elétricas, mesmo que esteja familiarizado com a ferramenta elétrica após numerosas utilizações.** Um manuseamento descuidado pode causar ferimentos graves em frações de segundo.
4. **Utilização e manuseio da ferramenta elétrica**
- a) **Não sobrecarregue o aparelho. Utilize a ferramenta elétrica adequada para o seu trabalho.** Trabalhe melhor e com maior segurança com a ferramenta elétrica adequada dentro dos limites de potência indicados.
- b) **Não utilize ferramentas elétricas com o interruptor danificado.** Uma ferramenta elétrica que não possa ser ligada ou desligada é perigosa e deve ser reparada.
- c) **Desligue o plugue da tomada e/ou remova a bateria antes de efetuar ajustes no aparelho, trocar peças acessórias ou colocar o aparelho a parte.** Esta medida de prevenção evita o arranque inadvertido do aparelho.
- d) **Guarde as ferramentas elétricas fora do alcance das crianças. Não deixe que o aparelho seja utilizado por pessoas que não estejam familiarizadas com ele ou que não tenham lido estas instruções.** As ferramentas elétricas são perigosas se forem usadas por pessoas inexperientes.
- e) **Trate da conservação da ferramenta elétrica com cuidado. Verifique se as peças móveis funcionam sem problemas, se não estão emperradas e se existem peças quebradas ou danificadas que influenciem o funcionamento da ferramenta elétrica. As peças danificadas devem ser reparadas antes da utilização do aparelho.** Muitos acidentes são causados por ferramentas elétricas malconservadas.
- f) **Mantenha as lâminas de corte afiadas e limpas.** As lâminas de corte cuidadas e afiadas encravam menos e são mais fáceis de conduzir.
- g) **Respeite estas indicações quando utilizar ferramenta elétrica, acessórios, ferramentas de trabalho, etc. Tenha atenção às condições de trabalho e ao trabalho a ser realizado.** O uso de ferramentas elétricas para fins diferentes do previsto podem originar situações perigosas.
- h) **Mantenha as superfícies e os punhos secos, limpos e livres de óleo e gordura.** Superfícies e punhos escorregadios não permitem uma operação segura nem o controle da ferramenta elétrica em situações inesperadas.
5. **Utilização e manuseamento da ferramenta a bateria**
- a) **As baterias só poderão ser carregadas nos carregadores recomendados pelo fabricante.** Um carregador que seja indicado para determinado tipo de bateria e seja usado noutra poderá provocar um incêndio.
- b) **Nas ferramentas elétricas só podem ser usadas as baterias previstas.** A utilização de outras baterias pode causar ferimentos e incêndios.
- c) **A bateria que não estiver sendo usada deve ser mantida afastada de cliques, moedas, chaves, pregos, parafusos e outros pequenos objetos metálicos, que poderiam provocar a ligação em ponte dos contatos.** Um curto-circuito entre os contatos da bateria pode resultar em queimaduras ou incêndios.
- d) **Uma utilização imprópria pode fazer sair**

**líquido da bateria. Evite o contato com esta substância. Em caso de contato, enxague bem com água. Além disso, se o líquido entrar em contato com os olhos, consulte um médico.** O líquido saído da bateria pode provocar irritações cutâneas ou queimaduras.

- e) **Não utilize baterias danificadas ou alteradas.** Baterias danificadas ou alteradas podem ser imprevisíveis e causar incêndio, explosão ou perigo de ferimento.
- f) **Não exponha uma bateria ao fogo ou altas temperaturas.** O fogo ou temperaturas acima de 130 °C podem causar uma explosão.
- g) **Siga todas as instruções para carregar e nunca recarregue a bateria ou a ferramenta com bateria fora da gama de temperaturas especificada no manual de instruções.** O carregamento incorreto ou o carregamento fora da gama de temperaturas permitida pode danificar a bateria e aumentar o risco de incêndio.

#### 6. Manutenção

- a) **Deixe a ferramenta elétrica para ser reparada apenas pela rede de assistência técnica credenciada e somente com peças de reposição originais.** Dessa forma, fica garantida a segurança da ferramenta elétrica.
- b) **Nunca faça a manutenção de baterias danificadas.** Toda a manutenção de baterias só deve ser feita por postos de assistência técnica credenciados.

#### Instruções de segurança para parafusadeiras/furadeiras

##### Instruções de segurança para todos os trabalhos

- **Use proteção auditiva ao furar com impacto.** O ruído pode provocar danos no aparelho auditivo.
- **Ao trabalhar, segure na ferramenta elétrica nas superfícies isoladas próprias, uma vez que a ferramenta de trabalho pode entrar em contato com cabos elétricos que não estejam à vista ou o próprio cabo de ligação do aparelho.** O contato com um cabo de corrente elétrica pode eletrificar as peças metálicas do aparelho e provocar um choque elétrico.

#### Instruções de segurança relativas ao uso de brocas

- a) **Nunca trabalhe com rotações superiores às que são permitidas para a broca.** No caso de rotações mais altas, a broca pode curvar-se facilmente, girar livremente sem contato com a peça a trabalhar, e causar ferimentos.
- b) **Inicie a perfuração sempre com rotações baixas com a broca em contato com a peça a ser trabalhada.** No caso de rotações mais altas, a broca pode curvar-se facilmente, girar livremente sem contato com a peça a trabalhar, e causar ferimentos.
- c) **Não exerça pressão excessiva e trabalhe só em sentido longitudinal em relação à broca.** As brocas podem curvar-se e, conseqüentemente, quebrar ou provocar a perda de controle e ferimentos.

#### Instruções de segurança especiais

A produção de todos os nossos packs de baterias é feita com extremo cuidado, para poder proporcionar baterias com fluxo energético máximo, durabilidade e segurança. As células das baterias dispõem de dispositivos de segurança de diversos níveis. Cada uma das células é, em primeiro lugar, formatada e são recolhidas as suas curvas características elétricas. Estes dados são depois utilizados para poder agrupar os melhores packs de baterias possíveis. **Apesar de todas as medidas de segurança adicionais, o manuseamento das baterias deve ser efetuado com extremo cuidado. Para um funcionamento seguro, devem respeitar-se impreterivelmente os seguintes pontos:**

**Só é possível garantir um funcionamento seguro se as células não apresentarem danos! O manuseamento incorreto pode provocar danos nas células.**

**Atenção!** As análises confirmam que a utilização e a manutenção incorretas são as principais causas de danos provocados por baterias de elevado rendimento.

#### Indicações sobre a bateria

1. O pack de baterias do aparelho não está carregado quando é fornecido. Por conseguinte, tem de carregar a bateria antes da primeira colocação em funcionamento.
2. Evite ciclos de descarga muito intensos, de forma a manter o rendimento ideal da bateria! Carregue regularmente a bateria.
3. Guarde a bateria fria, idealmente a uma temperatura de 15°C, e com uma carga de pelo menos 40% da sua capacidade.

4. As baterias de lítio estão sujeitas a um desgaste natural. A bateria deverá ser substituída, o mais tardar, quando a capacidade do aparelho só corresponder a 80% daquela que possui quando novo! As células com falhas de um pack de baterias envelhecido já não conseguem responder às elevadas exigências em termos de potência e constituem, portanto, um risco para a segurança.
5. Não coloque baterias usadas no fogo. Perigo de explosão!
6. Não deve incendiar a bateria ou expô-la a fogo.
7. **Não deixe descarregar completamente as baterias!**

O descarregamento total danifica as células da bateria. A causa mais frequente para o descarregamento total dos packs de baterias é o armazenamento prolongado ou a não utilização de baterias totalmente descarregadas. Interrompa imediatamente o trabalho assim que se note uma redução substancial da potência ou quando o sistema eletrônico de proteção for acionado. Armazene a bateria apenas depois que esta esteja completamente carregada.

8. **Proteja a bateria ou o aparelho contra sobrecargas!**  
Uma eventual sobrecarga conduz rapidamente a um sobreaquecimento e à destruição das células no interior da carcaça da bateria, sem que o sobreaquecimento se torne evidente.
9. **Evite danos e choques!**  
Substitua de imediato as baterias que tenham sofrido quedas de alturas superiores a um metro ou que tenham sido sujeitas a choques violentos, mesmo que a respectiva carcaça não apresente quaisquer danos evidentes. As células no interior das baterias podem ter sofrido sérios danos. Para tal, respeite também as indicações sobre o descarte.
10. Por motivos de segurança, em caso de sobrecarga ou sobreaquecimento, o sistema integrado de desligamento de segurança desliga o aparelho. **Atenção!** Não acione o interruptor para ligar/desligar se o sistema de desligamento de segurança tiver desligado o aparelho. Tal pode causar danos na bateria.
11. Utilize apenas baterias originais. A utilização de outras baterias pode causar ferimentos, explosão e perigo de incêndio.
12. **Proteja a sua bateria contra a umidade, chuva e da umidade do ar elevada.** A umidade, a chuva e a umidade do ar elevada podem causar danos perigosos nas células.

Nunca carregue nem trabalhe com baterias que tenham sido expostas à umidade, à chuva ou à umidade do ar elevada. Substitua-as imediatamente.

13. Se o seu aparelho estiver equipado com uma bateria removível, retire-a do mesmo depois de terminar o trabalho, por motivos de segurança

#### **Indicações sobre o carregador e o carregamento**

1. Respeite os dados indicados na placa de características do carregador. Ligue o carregador apenas à tensão de rede indicada na placa de características.
2. Proteja o carregador e o cabo contra danos e arestas vivas. Os cabos danificados devem ser imediatamente substituídos numa assistência técnica credenciada.
3. Mantenha o carregador, as baterias e o aparelho longe do alcance das crianças.
4. Não deve utilizar carregadores danificados.
5. Não utilize o carregador juntamente fornecido para carregar outros aparelhos a bateria.
6. O pack de baterias aquece quando é sujeito a grandes esforços. Antes de iniciar o processo de carregamento, deixe o pack de baterias arrefecer até atingir a temperatura ambiente.
7. **Não carregue demasiadamente as baterias!**  
Respeite os tempos máximos de carga. Estes tempos de carga são válidos apenas para baterias descarregadas. Ligar à corrente por diversas vezes uma bateria que esteja total ou parcialmente carregada provoca uma sobrecarga e, conseqüentemente, a danificação das células. Não deixe as baterias ligadas ao carregador durante vários dias.
8. **Nunca utilize nem carregue baterias, se supuser que o seu último carregamento foi efetuado há mais de 12 meses.** As probabilidades de que a bateria esteja já gravemente danificada (descarregamento total) são elevadas.
9. O carregamento a uma temperatura inferior a 10 °C pode causar danos químicos na célula e provocar um incêndio.
10. Não utilize baterias que tenham aquecido durante o processo de carregamento, pois as respectivas células podem ficar gravemente danificadas.
11. Não volte a utilizar quaisquer baterias que tenham ficado deformadas durante o processo de carregamento, ou que apresentem sintomas anormais (emissão de gases, estalos,

assobios, ...)

12. Não deixe a bateria descarregar completamente (grau de descarga recomendado: máx. 80 %). A descarga total provoca um envelhecimento prematuro das células da bateria.
13. Nunca deixe as baterias carregando sem vigilância!

#### Proteção contra fatores ambientais

1. Use vestuário de trabalho adequado. Use óculos de proteção.
2. **Proteja o aparelho e a bateria contra a umidade e a chuva.** A umidade e a chuva podem provocar sérios danos nas células.
3. Não utilize o aparelho e o carregador onde existam vapores e líquidos inflamáveis.
4. Utilize o carregador e os aparelhos apenas em estado seco e a uma temperatura ambiente de 10 a 40 °C.
5. Não guarde a bateria em locais que possam atingir uma temperatura superior a 40 °C, particularmente em automóveis que estejam estacionados ao sol.
6. **Proteja as baterias contra sobreaquecimento!** A sobrecarga, o carregamento excessivo ou a exposição à radiação solar direta podem provocar um sobreaquecimento e, conseqüentemente, a destruição das células. Nunca carregue nem trabalhe com baterias que tenham sofrido um sobreaquecimento – substitua-as de imediato.
7. **Armazenamento de baterias, carregadores e do aparelho.** Guarde o aparelho e o carregador apenas em espaços secos com uma temperatura ambiente de 10-40 °C. Guarde a bateria de lítio em estado fresco e seco, a temperaturas na ordem dos 10-20 °C. Proteja-a contra a umidade do ar e a radiação solar direta! Guarde as baterias apenas se estiverem carregadas (com pelo menos 40 % da sua capacidade de carga).
8. Não permita que a bateria de lítio congele. As baterias que tenham estado guardadas durante mais de 60 minutos a uma temperatura abaixo dos 0 °C devem ser eliminadas.
9. Ao manusear baterias, tenha cuidado com a carga eletrostática: as descargas eletrostáticas provocam danos no sistema eletrônico de proteção e nas células da bateria! Por conseguinte, evite descargas eletrostáticas e nunca toque nos pólos da bateria!

As baterias e aparelhos elétricos alimentados por bateria contêm materiais prejudiciais ao meio ambiente. Não deposite as baterias ou os aparelhos no lixo doméstico.

Para um descarte sustentável, a bateria deve ser entregue num local de recolha adequado. Se não conhecer nenhum local de recolha, deve consultar a administração pública local.

**Para o envio correto de baterias de lítio com defeito/danificadas, solicitamos que contate o nosso serviço de assistência técnica ou o ponto de venda onde adquiriu o aparelho.**

**Ao enviar ou eliminar baterias ou o aparelho certifique-se de que estes são embalados individualmente em sacos de plástico para evitar curto-circuitos e incêndios!**

**Guarde as instruções de segurança num local seguro.**

## 2. Descrição da ferramenta e material fornecido

### 2.1 Descrição do aparelho (figura 1)

1. Ajuste do torque
2. Indicação da capacidade da bateria
3. Comutador do sentido de rotação
4. Interruptor para ligar/desligar
5. Bateria (não fornecido)
6. Carregador (não fornecido)
7. Comutador 1.<sup>a</sup> / 2.<sup>a</sup> velocidades
8. Botão de engate
9. Mandril de aperto rápido
10. Luz LED
11. Comutador para parafusar/furar/furar com impacto

## 2.2 Material fornecido

Com a ajuda da descrição do material, verifique se o equipamento se encontra completo. Caso faltem peças, dirija-se ao local onde adquiriu o aparelho, juntamente com a cópia da nota fiscal, dentro no prazo fixado pelas leis de proteção do consumidor em seu país.

- Abra a embalagem e retire cuidadosamente o aparelho.
- Remova o material da embalagem, assim como os dispositivos de segurança da embalagem e de transporte (caso existam).
- Verifique se o produto está completo.
- Verifique se o aparelho e as peças acessórias apresentam danos de transporte.
- Se possível, guarde a embalagem até o término do período de garantia.

### Perigo!

**O aparelho e o material da embalagem não são brinquedos! As crianças não devem brincar com sacos de plástico, películas ou peças de pequena dimensão! Existe o perigo de deglutição e asfixia!**


- Parafusadeira/furadeira de impacto a bateria
- Manual de instruções original

## 3. Utilização adequada

O produto é adequado para parafusar e soltar parafusos, bem como para furar madeira, metal e plástico.

A máquina só pode ser utilizada para os fins indicados neste manual. Qualquer outro tipo de utilização é considerado inadequado. Os danos ou ferimentos de qualquer tipo resultantes são da responsabilidade do usuário/operador e não do fabricante.

## 4. Dados técnicos

Tensão de alimentação do motor ..... 18 V   
 Rotações com marcha em vazio: .....  
 ..... max. 0-350 / 0-1250 r.p.m.  
 Impactos por minuto: .....max. 5250 / 18750 i.p.m.  
 Escalas do torque: ..... 18+1+1  
 Rotação à direita/esquerda.....sim  
 Capacidade do mandril porta-broca ..... 2-13 mm  
 Diâmetro máx. dos parafusos: ..... 6 mm  
 Peso..... 1,1 kg

### Use uma proteção auditiva.

O ruído pode provocar danos auditivos.

### Reduza a produção de ruído e de vibração para o mínimo!

- Utilize apenas aparelhos em bom estado.
- Limpe e faça a manutenção do aparelho regularmente.
- Adapte o seu modo de trabalho ao aparelho.
- Não sobrecarregue o aparelho.
- Se necessário, submeta o aparelho a uma verificação.
- Desligue o aparelho, quando este não estiver sendo utilizado.

### Cuidado!

#### Riscos residuais

**Mesmo quando esta ferramenta elétrica estiver sendo utilizada adequadamente, existem sempre riscos residuais. Dependendo do formato e do modelo desta ferramenta elétrica podem ocorrer os seguintes perigos:**

1. Lesões pulmonares, caso não seja utilizada uma máscara de proteção para pó adequada.
2. Lesões auditivas, caso não seja utilizada uma proteção auditiva adequada.
3. Danos para a saúde resultantes das vibrações na mão e no braço, caso a ferramenta seja utilizada durante um longo período de tempo ou se não for operada e feita a manutenção de forma adequada.

## 5. Antes de colocar em funcionamento

Leia impreterivelmente estas indicações antes de colocar a parafusadeira/furadeira a bateria em funcionamento:

1. Carregue a bateria com o carregador fornecido.
2. Utilize apenas brocas afiadas e bits próprios e em perfeitas condições.
3. Antes de furar e parafusar em paredes e muros verifique se existem condutores elétricos, canalizações de gás e de água.

## 6. Operação

### 6.1 Carregar o pack de baterias de lítio (fig. 2-3)

1. Retire a bateria da embalagem ou do punho. Verifique se a tensão é compatível com o produto. Ligue o cabo de alimentação do carregador à tomada. O LED verde irá começar a piscar.
2. Verifique se a tensão de rede indicada na placa de características corresponde à tensão de rede existente. Ligue a fonte de alimentação do carregador (6) à tomada. Os LEDs vermelho e verde acendem-se simultaneamente durante aprox. 1 segundo.
3. Conecte a bateria no carregador

No ponto 10 (visor do carregador), existe uma tabela com os significados da indicação LED no carregador.

Se não for possível carregar a bateria, queira examinar:

- se a tensão da rede está disponível na tomada
- se há um contato perfeito nos pontos de contato do aparelho carregador.

Se ainda não for possível carregar a bateria, solicitamos enviar

- o aparelho carregador
- e a bateria

ao nosso serviço de assistência técnica.

Tendo em vista uma vida útil longa do pack de baterias, deve providenciar um recarregamento no tempo certo do pack de baterias de lítio. Isto é absolutamente necessário se perceber que a potência do aparelho está diminuindo.

### 6.2 Ajuste do torque (fig. 4/pos. 1)

**Atenção! O anel de ajuste para o torque só deve ser ajustado com o aparelho parado.**

O aparelho está equipado com um ajuste mecânico do torque.

Ajusta-se o torque para um determinado tamanho de parafusos no anel giratório (1). O torque depende de vários fatores:

- do tipo e da dureza do material trabalhado
- do tipo e comprimento dos parafusos a usar
- dos requisitos aos quais a união roscada deve satisfazer.

O ruído de catraca que o acoplamento faz ao engatar sinaliza que o torque foi alcançado.

### 6.3 Comutador para parafusar/furar/furar com impacto (fig. 4/pos. 11)

- Para parafusar coloque o comutador (11) no nível médio "Parafuso". O anel giratório é ajustado através do ajuste do anel giratório (1) (ver o ponto 6.2).
- Para furar, coloque o comutador (11) no nível "Broca". O acoplamento de fricção está desligado e o anel giratório máximo está disponível, em função do ajuste do anel giratório (1).
- Para furar com impacto, coloque o comutador (11) no nível "Martelo". O acoplamento de fricção está desligado e o anel giratório máximo está disponível, em função do ajuste do anel giratório (1).

**Nota! Comutar o ajuste do anel giratório (1) e o comutador para parafusar/furar/furar com impacto (11) apenas com a ferramenta parada!**

### 6.4 Seletor do sentido de rotação (fig. 5/pos. 3)

O interruptor de correção sobre o interruptor permite ajustar o sentido de rotação da parafusadeira/furadeira e evitar que ela seja ligada por descuido. Pode-se selecionar a rotação à esquerda ou à direita. Para evitar uma danificação da transmissão, só se deve mudar o sentido de rotação quando a máquina estiver parada. Quando o interruptor de correção estiver na posição central, o interruptor está bloqueado.

### 6.5 Interruptor (fig. 5/pos. 4)

O interruptor permite regular o número de rotações sem escalonamento. Quanto mais o usuário apertar o interruptor, tanto maior é o número de rotações da parafusadeira/furadeira.

### 6.6 Comutação entre a 1ª e a 2ª velocidades (fig. 4/pos. 7)

Conforme a posição do comutador pode trabalhar com uma velocidade de rotação superior ou inferior. A comutação entre as duas velocidades só deve ser executada quando a máquina se encontra parada para evitar danos nas engrenagens.

### 6.7 Indicação da capacidade da bateria (fig. 6/pos. 2)

Pressione o interruptor para obter a indicação da capacidade da bateria (a). O indicador da capacidade da bateria (2) irá indicar o nível de carga da bateria através de 3 LEDs.

#### Acendem os 3 LEDs:

A bateria está completamente carregada.

#### Acendem 2 LEDs:

A bateria dispõe de carga residual suficiente.

#### 1 LED piscando

A bateria está descarregada, carregue-a.

#### Todos os LEDs piscando:

A bateria ficou totalmente descarregada e apresenta defeito. Uma bateria com defeito nunca mais pode voltar a ser usada e carregada!

### 6.8 Luz LED (figura 6/pos. 10)

A luz LED (10) permite manter iluminado o local de parafusamento ou de perfuração se a luminosidade do local for fraca. A luz LED (10) acende-se automaticamente ao pressionar o interruptor para ligar/desligar (4).

### 6.9 Substituição do acessório (figura 7)

Atenção! Coloque o comutador do sentido de rotação (3) na posição central em quaisquer trabalhos efetuados na parafusadeira/furadeira (p. ex. substituição do acessório; manutenção; etc.).

- A parafusadeira/furadeira fio está equipada com um mandril de aperto rápido (9) com bloqueio do eixo automático.

- Desaperte o mandril (9). A abertura do mandril (a) tem de ser suficientemente larga, para receber a ferramenta (broca ou bits).
- Escolha a ferramenta adequada. Insira a ferramenta o máximo possível na abertura do mandril (a).
- Aperte o mandril (9) e verifique, em seguida, se a ferramenta está bem colocada.

### 6.10 Parafusar

O melhor é usar parafusos de centragem automática, o que permite trabalhar com segurança. Observe que o tamanho e a forma da ponta de chave de parafuso deve corresponder ao parafuso. Ajuste o mandril, conforme descrito nas instruções, de acordo com o tamanho do parafuso.

## 7. Limpeza e manutenção

### Perigo!

**Retire o cabo de alimentação da tomada ou a bateria antes de qualquer trabalho de limpeza.**

### 7.1 Limpeza

- Mantenha os dispositivos de segurança, ranhuras de ventilação e a carcaça do motor o mais limpo possível. Limpe o aparelho com um pano limpo ou sobre com ar comprimido a baixa pressão.
- Aconselhamos limpar o aparelho diretamente após cada utilização.
- Limpe regularmente o aparelho com um pano úmido e um pouco de sabão. Não utilize detergentes ou solventes; estes podem corroer as peças de plástico do aparelho. Certifique-se de que não entra água para o interior do aparelho. A entrada de água num aparelho elétrico aumenta o risco de choque elétrico.

### 7.2 Manutenção

#### Escovas de carvão

No caso de formação excessiva de faíscas, mande verificar as escovas de carvão em uma assistência técnica ou por um técnico com qualificação. Atenção! As escovas de carvão só podem ser substituídas em uma assistência técnica ou por um técnico com qualificação.



## 8. Eliminação e reciclagem

O aparelho encontra-se dentro de uma embalagem para evitar danos durante o seu transporte. Esta embalagem é matéria-prima, podendo ser reutilizada ou reciclada. O aparelho e os respectivos acessórios são de diferentes materiais (ex.: metal e plástico). Os componentes que não estiverem em condições devem ter tratamento de lixo especial. Informe-se como reciclar.

**Proteja o Meio Ambiente!**

## 9. Armazenagem

Guarde a ferramenta e os respectivos acessórios em local protegido do sol, seco e fora do alcance das crianças. A temperatura ideal de armazenamento situa-se entre os 10°C e~ 40°C. Armazene a ferramenta elétrica na embalagem original.

A reprodução ou duplicação, mesmo que parcial, da documentação e dos anexos dos produtos, necessita de autorização expressa.

AS FOTOS CONTIDAS NESTE MANUAL SÃO MERAMENTE ILUSTRATIVAS E PODEM NÃO RETRATAR COM EXATIDÃO A COR, ETIQUETAS E/OU ACESSÓRIOS.

Sujeito a alterações técnicas sem aviso prévio.



## 10. Visor do carregador

Estado do visor		Significado e medida a adotar
LED vermelho	LED verde	
Desligado	Piscando	<b>Operacionalidade</b> O carregador está ligado à rede e encontra-se operacional; a bateria não está no carregador
Ligado	Desligado	<b>Carregamento</b> O carregador carrega a bateria no modo de carregamento rápido.
Desligado	Ligado	A bateria dispõe de 85% de carga e está operacional. O carregador então muda para o modo de carga suave até que a bateria esteja totalmente carregada. <b>Medida a tomar:</b> Remova a bateria do carregador. Desligue o carregador da rede.
Piscando	Desligado	<b>Carregamento condicionado</b> O carregador encontra-se no modo de carregamento moderado. Aqui, por motivos de segurança, a bateria é carregada mais lentamente, precisando de mais de uma hora até estar carregada. Tal pode dever-se às seguintes causas: - A bateria passou muito tempo sem ser carregada ou continuou a ser utilizada mesmo depois de já se encontrar descarregada (descarregamento total) - A temperatura da bateria não se encontra na faixa ideal, entre os 25° C e os 45° C. <b>Medida a tomar:</b> Aguarde até o carregamento estar concluído; a bateria pode, no entanto, continuar a ser carregada.
Piscando	Piscando	<b>Falha</b> Já não é possível efetuar o carregamento. A bateria tem um defeito. <b>Medida a tomar:</b> Uma bateria com defeito nunca mais pode voltar a ser carregada. Remova a bateria do carregador.
Ligado	Ligado	<b>Temperatura anômala</b> A bateria está demasiado quente (p. ex. radiação solar direta) ou demasiado fria (abaixo dos 0° C) <b>Medida a tomar:</b> Retire a bateria e guarde-a por 1 dia à temperatura ambiente (a aprox. 20° C).

## 11. Informações do serviço de assistência técnica

Estamos representados em todos os países mencionados no certificado de garantia por assistências técnicas credenciadas as quais poderão ser encontradas na página

<https://einhell.com.br/assistencia-tecnica/localizar/>

Nossas assistências técnicas credenciadas estão à disposição para todos os serviços necessários, tais como manutenções, fornecimento de peças de reposição/desgaste e aquisição de consumíveis.

Deve-se ter em atenção que, neste produto, as seguintes peças estão sujeitas a um desgaste natural ou decorrente da sua utilização, sendo classificadas como consumíveis.

<b>Categoria</b>	<b>Peças</b>
Peças de desgaste*	Mandril de furação, Bateria
Consumíveis/peças consumíveis*	Bits/Brocas
Peças em falta	

\* não incluído obrigatoriamente no material fornecido!

Em ocorrendo eventuais falhas no produto, e caso encontre alguma dificuldade junto a nossa rede de assistências técnicas credenciadas, entre em contato conosco através do e-mail [posvendas@einhell.com.br](mailto:posvendas@einhell.com.br) ou pelo telefone (19) 2136-4497. Antes de realizar o contato, recomendamos levantar uma descrição exata do problema, respondendo às seguintes perguntas:

- aparelho já funcionou normalmente alguma vez ou possui o defeito desde o início?
- Antes do surgimento do defeito, percebeu algo estranho (sintomas antes do defeito)?
- Na sua opinião, que erro de funcionamento apresenta o aparelho (sintoma principal)?
- Descreva este erro de funcionamento.



Two horizontal lines are positioned to the right of the pencil's tip, serving as a starting point for writing. Below these, there are 28 additional horizontal lines spaced evenly down the page, providing a template for handwriting practice.



EH 12/2023 (01)

