

GB **Original operating instructions**
Automatic Pressure Pump



7

Art.-Nr.: 41.731.82

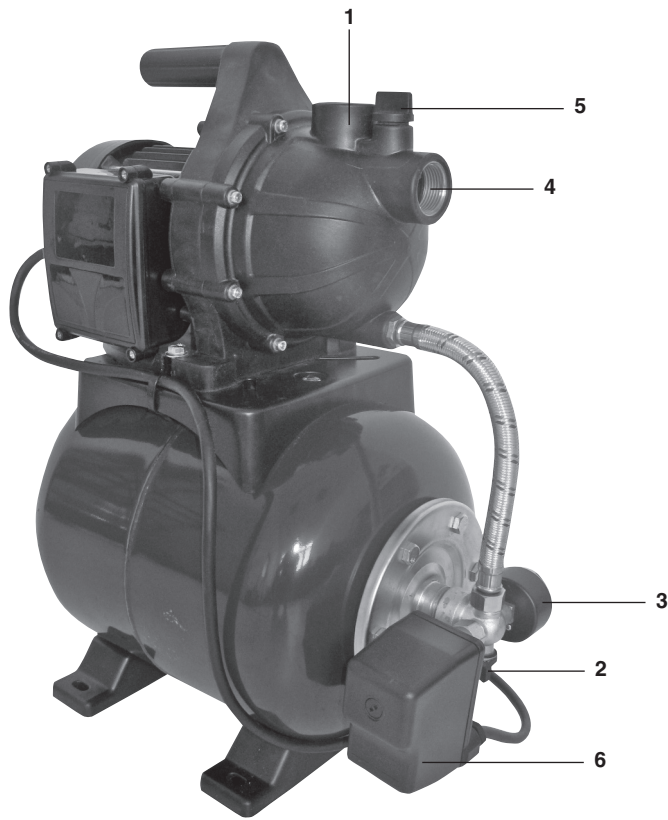
I.-Nr.: 11013

BWW 830



Ⓢ Read and follow the operating instructions and safety information before using for the first time.

1



⚠ Important!

When using equipment, a few safety precautions must be observed to avoid injuries and damage. Please read the complete operating manual with due care. Keep this manual in a safe place, so that the information is available at all times. If you give the equipment to any other person, give them these operating instructions as well.

We accept no liability for damage or accidents which arise due to non-observance of these instructions and the safety information.

1. Safety regulations**⚠ Caution!**

In stagnant water bodies, garden ponds, swimming ponds and their surrounding areas the unit may only be used with an earth-leakage circuit breaker with an actuating rated current of up to 30 mA (according to VDE 0100 Part 702 and 738).

The equipment is not designed for use in swimming pools and paddling pools of any kind or other bodies of water in which people or animals may be present during operation. It is prohibited to operate the equipment if a person or animal is in the danger area. Ask your electrician!

This equipment is not designed to be used by people (including children) with limited physical, sensory or mental capacities or those with no experience and/or knowledge unless they are supervised by a person who is responsible for their safety or they have received instructions from such a person in how to use the equipment safely. Children must always be supervised in order to ensure that they do not play with the equipment.

Important!

- Always inspect the equipment visually before using it. Do not use the equipment if safety devices are damaged or worn. Never disable safety devices.
- Use the equipment only for the purposes indicated in these operating instructions.
- You are responsible for safety in the work area.
- If the cable or plug is damaged by external influences, the cable may not be repaired. The cable must be replaced by a new one. This work may only be carried out by a trained electrician.
- The voltage of 230 V alternating voltage specified on the rating plate must be the same as the mains voltage.
- Never use the power cable to lift, transport or

secure the equipment.

- Ensure that the electrical plug connections are in areas that are not at risk of flooding or protect them from moisture.
- Pull the mains plug before starting any work on the equipment.
- Do not expose the equipment to a direct jet of water.
- The operator is responsible for complying with local safety and installation regulations. (Ask an electrician if you are in any doubt.)
- Consequential damage caused by flooded rooms in the event of the equipment suffering faults must be prevented by the user by means of suitable measures (for example installing alarm systems or a reserve pump, etc.).
- In the event of a failure, repair work may only be carried out by an electrician or by ISC after sales service personnel.
- The equipment must never run dry or be used when the intake line is closed fully. The manufacturer's warranty does not cover damage caused to the equipment as a result of running it dry.
- The pump must not be used to operate swimming pools.
- The equipment must not be installed in the drinking water pipe line.
- Recommendation
We recommend that the tool always be supplied via a residual current device with a rated residual current of 30 mA or less.

⚠ CAUTION!**Read all safety regulations and instructions.**

Any errors made in following the safety regulations and instructions may result in an electric shock, fire and/or serious injury.

Keep all safety regulations and instructions in a safe place for future use.

2. Layout (Fig. 1)

1. Pressure connector
 2. Water drain screw
 3. Pressure gauge
 4. Suction connector
 5. Water filler screw
 6. Pressure switch
- Open the packaging and take out the equipment with care.
 - Remove the packaging material and any packaging and/or transportation braces (if available).
 - Check to see if all items are supplied.

GB

- Inspect the equipment and accessories for transport damage.
- If possible, please keep the packaging until the end of the guarantee period.

IMPORTANT

The equipment and packaging material are not toys. Do not let children play with plastic bags, foils or small parts. There is a danger of swallowing or suffocating!

3. Proper use**Applications**

- Irrigation and watering of green areas, vegetable beds and gardens.
- Operation of lawn sprinklers.
- Drawing of water (with pre-filter) from ponds, streams, rain barrels, rainwater cisterns and wells.
- Supplying water to the house.

Transport media:

- For the pumping of clear water (fresh water), rainwater or light suds/service water.
- The maximum temperature of the fluid must not exceed +35°C if the equipment is operated permanently.
- Do not use the equipment to pump inflammable, gassing or explosive fluids.
- The pumping of aggressive liquids (acids, alkalis, silo seepage etc.) as well as liquids with abrasive substances (sand) must likewise be avoided.

The equipment is to be used only for its prescribed purpose. Any other use is deemed to be a case of misuse. The user / operator and not the manufacturer will be liable for any damage or injuries of any kind caused as a result of this.

Please note that our equipment has not been designed for use in commercial, trade or industrial applications. Our warranty will be voided if the machine is used in commercial, trade or industrial businesses or for equivalent purposes.

4. Technical data

Mains connection	230V ~ 50 Hz
Power rating	800 W
Max. pumping rate	3000 l/h
Max. delivery head	36 m
Max. delivery pressure	0,36 MPa (3.6 bar)
Max. suction height	8 m
Pressure and suction connector	ca. 33.3 mm (R1)
Max. water temperature	35 °C
Tank capacity	15 l
Cut-in pressure approx.	0,15 MPa (1.5 bar)
Cut-out pressure approx.	0,3 MPa (3 bar)

5. Before putting the equipment into operation**5.1 Connecting the intake line**

- The intake hose or pipe should have a minimum diameter of 25 mm (1"); a diameter of 32 mm (1 1/4") is recommended for suction heights exceeding 5 m.
- Connect the intake valve (foot valve) with intake cage to the intake line.
- Position the intake line so that it rises from the water withdrawal point to the equipment. Avoid positioning the suction pipe higher than the pump, as this would delay the escape of air bubbles from the suction pipe and impede the priming process.
- Install the intake and discharge lines in such a way that they do not exert any mechanical pressure on the equipment.
- The intake valve should be low enough in the water to ensure that if the water level falls, the equipment will not run dry.
- A leaking intake line will draw in air and therefore not draw in any water.

5.2 Connecting the discharge line

- The discharge line (min. 19 mm (3/4")) must be connected to the 33.3 mm (R1IG) female thread discharge line connector of the equipment either directly or with the aid of a threaded nipple.
- With the right couplings it is also possible, of course, to use a 13 mm (1/2") delivery hose. The smaller delivery hose results in a lower delivery rate.
- During the priming operation, fully open any shut-off mechanisms (spray nozzles, valves, etc.) in

the pressure line so that the air can escape without obstruction.

5.3 Electrical connections

- Connect the appliance to a 230 V ~ 50 Hz socket-outlet with earthing contact. Minimum fuse 10 ampere.
- A built-in thermostat protects the motor from overloading and blocking. The pump is switched off automatically by the thermostat if overheating occurs and is switched on again automatically after cooling.

6. Operation

- Install the equipment on a solid and level surface.
- Fill the pump housing with water via the water filler screw (5). Filling the intake line accelerates the intake process.
- Open the discharge line.
- Connect the mains cable. The intake process starts automatically; water can be suctioned in for up to 5 minutes (maximum suction height).
- The equipment will shut down when the cut-out pressure of 3 bar is reached.
- After a loss of pressure due to water consumption the equipment will cut in again automatically (cut-in pressure approx. 1.5 bar).

7. Replacing the power cable

If the power cable for this equipment is damaged, it must be replaced by the manufacturer or its after-sales service or similarly trained personnel to avoid danger.

8. Cleaning, maintenance and ordering of spare parts

The equipment is almost completely maintenance free. In order to ensure a long service life, however, we recommend that you regularly check and care for the product.

Important!

The equipment must be disconnected from the power supply (pull the power plug) prior to performing any maintenance.

8.1 Servicing

- If the equipment becomes clogged, connect the discharge line to the water line and disconnect the suction hose. Open the water line. Switch on the equipment several times for approx. two seconds. This should resolve the majority of clog-related problems.
- Inside the pressure tank is an expandable water sack and an air compartment whose maximum pressure should lie at approx. 1.3 bar. Pumping water into the water sack causes the sack to expand so that the pressure in the air compartment rises to switch-off level. If the air pressure is too low, you should raise it. To do so, unscrew the plastic lid from the tank and top up the pressure to the correct level using a tyre pump with meter at the valve.
Important: Be sure to completely empty the water bag first using the water drain screw (2).
- Replacing the mains cable: **Important: Disconnect the equipment from the power supply! A defective mains cable may only be replaced by a qualified electrician.**
- There are no parts inside the equipment which require additional maintenance.

8.2 Storage

- If the pump is not going to be used for a long time or has to be removed for the winter months, rinse it out with water, empty it completely and allow it to dry.
- The equipment must be completely drained before it is subjected to frost.
- After long stoppages, make sure the rotor turns correctly by briefly switching the pump on and off.

8.3 Ordering replacement parts:

Please quote the following data when ordering replacement parts:

- Type of machine
- Article number of the machine
- Identification number of the machine
- Replacement part number of the part required

For our latest prices and information please call 1300 922 271

9. Storage

Store the equipment and accessories out of children's reach in a dark and dry place at above freezing temperature. The ideal storage temperature is between 5 and 30 °C. Store the electric tool in its original packaging.

GB

10. Disposal and recycling

The unit is supplied in packaging to prevent its being damaged in transit. This packaging is raw material and can therefore be reused or can be returned to the raw material system.

The unit and its accessories are made of various types of material, such as metal and plastic. Defective components must be disposed of as special waste. Ask your dealer or your local council.

11. Troubleshooting guide

Faults	Cause	Remedy
Motor fails to start up	<ul style="list-style-type: none"> - No mains voltage - Pump rotor blocked -thermostat switched off 	<ul style="list-style-type: none"> - Check voltage - Dismantle and clean pump
No intake	<ul style="list-style-type: none"> - Intake valve not in water - Pump chamber without water connection - Air in intake line air-tight - Intake valve leaks - Strainer (intake valve) blocked - Max. suction height exceeded 	<ul style="list-style-type: none"> - Immerse intake valve in water - Fill water into intake - Make sure intake line is close - Clean intake valve - Clean strainer - Check suction height
Inadequate delivery rate	<ul style="list-style-type: none"> - Suction height too high - Strainer dirty - Water level falling rapidly - Pump performance diminished by contaminants part 	<ul style="list-style-type: none"> - Check suction height - Clean strainer - Immerse intake valve deeper - Clean pump and replace wearing
Thermostat switches pump off	<ul style="list-style-type: none"> - Motor overloaded - friction caused by foreign substances too high 	<ul style="list-style-type: none"> - Dismantle and clean pump. Prevent intake of foreign substances (filter)

The guarantee provided in this Guarantee Certificate is given by Einhell Australia Pty Limited
ACN 134 632 858 of 6/166 Wellington Street, Collingwood, Victoria (Telephone number 1300 922 271)
(Einhell Express Guarantee).

GUARANTEE CERTIFICATE

Dear Customer,

All of our products undergo strict quality checks. In the unlikely event that your device develops a fault, please contact our service department at the address shown on this guarantee certificate. Of course, if you would prefer to call us then we are also happy to offer our assistance under the service number printed below. Please note the following terms under which claims under the Einhell Express Guarantee can be made:

1. The benefits conferred by the Einhell Express Guarantee are in addition to all rights and remedies which you may be entitled to under the Australian Consumer Law, and any other statutory rights you may have under other applicable laws. This Einhell Express Guarantee does not exclude, restrict or modify any such rights or remedies.
We do not charge you for the Einhell Express Guarantee.
2. Our goods come with guarantees that cannot be excluded under the Australian Consumer Law. You are entitled to a replacement or refund for a major failure and for compensation for any other reasonably foreseeable loss or damage. You are also entitled to have the goods repaired or replaced if the goods fail to be of acceptable quality and the failure does not amount to a major failure.
3. The Einhell Express Guarantee only covers problems caused by material or manufacturing defects, and our liability under the Einhell Express Guarantee is limited, at our discretion, to the rectification of these defects or replacement of the product. Please note that the product has not been designed for use in commercial, trade or industrial applications. Consequently, the Einhell Express Guarantee will not apply if the product is used in commercial, trade or industrial applications or for other equivalent activities.
4. The following are also excluded from the Einhell Express Guarantee: compensation for transport damage, damage caused by failure to comply with the installation/assembly instructions or damage caused by unprofessional installation, failure to comply with the operating instructions (e.g. connection to the wrong mains voltage or current type), misuse or inappropriate use (such as overloading of the product or use of non-approved tools or accessories), failure to comply with the maintenance and safety regulations, ingress of foreign bodies into the product (e.g. sand, stones or dust), effects of force or external influences (e.g. damage caused by the product being dropped) and normal wear resulting from proper operation of the product. The Einhell Express Guarantee will also not apply if any attempt is made to tamper with the product.
5. The Einhell Express Guarantee is valid for a period of 2 years starting from the purchase date of the product. Claims made under the Einhell Express Guarantee should be submitted before the end of this guarantee period and within two weeks of the defect being noticed. No claims under the Einhell Express Guarantee will be accepted if submitted after the end of this guarantee period. The original guarantee period remains applicable to the device even if repairs are carried out or parts are replaced. In such cases, the work performed or parts fitted will not result in an extension of the guarantee period for the Einhell Express Guarantee, and the Einhell Express Guarantee will not apply for the work performed or parts fitted. This also applies when an on-site service is used.
6. To make a claim under the Einhell Express Guarantee, please send the relevant product postage-free to the address shown below and enclose either the original or a copy of your sales receipt or another dated proof of purchase. It would help us if you could describe the nature of the problem in as much detail as possible. If the defect is covered by the Einhell Express Guarantee, your product will be repaired immediately and returned to you, or we will send you a new device (at our election).

Any costs incurred by you in making a claim under this Einhell Express Guarantee, unless specified otherwise in this guarantee certificate, must be borne by you.

Of course, we are also happy to offer a chargeable repair service for any defects which are not covered by the scope of the Einhell Express Guarantee or for products which are no longer covered by the Einhell Express Guarantee. To take advantage of this service, please send the product to our service address.

EINHELL AUSTRALIA PTY LTD
6/166 Wellington Street
Collingwood VIC 3066
Australia
Phone: 1300 922 271

EH 07/2013 (01)